

LISTA DE APLICACIONES - BUYERS GUIDE

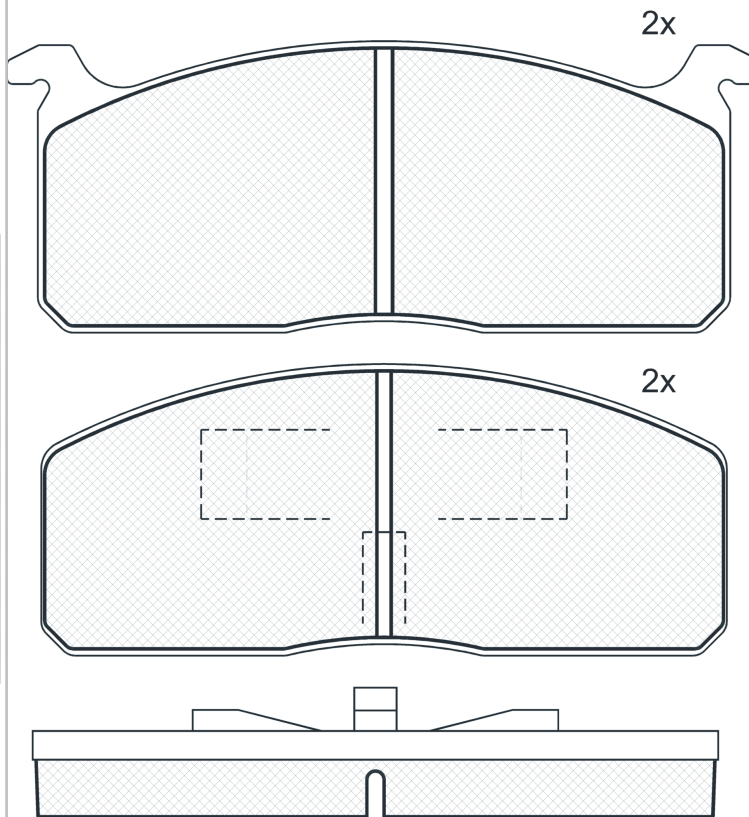
140313



8 424073 010957

Qty: 300

Weight: 1.390



HASTA FIN DE EXISTENCIAS
UNTIL EXISTING STOCK RUNS OUT

140313



Akebono

120.4x51.1x15

132.1x51.1x15

WVA

20729

20730

FMSI

D197-7120

MAKE

TOYOTA



Trac.	CC	Kw	CV
-------	----	----	----



Front / Rear

TOYOTA

							Bus (Minibus-M2-Segment)		
DYNA (_U3_, _U2_) 08.77-08.87									
2.4 D (JU20_, JU20) (2J)		Diesel	RWD	2481	55	75	08.77-02.79	■	
3.4 D (BU82_, BU82R) (13B)		Diesel	RWD	3431	66	90	08.77-08.87	■	
DYNA 08.77-04.79							Pickup (LCVs-N1 Segment)		
1.6		Gasolina	RWD	1588	51	69	08.77-04.79	■	
2.4 D (2L)		Diesel	RWD	2446	55	75	08.77-04.79	■	
DYNA (_U_, _Y_) 08.77-12.09							Platform/Chassis (LCVs-N1 Segment)		
1.6		Gasolina	RWD	1588	51	69	08.77-04.79	■	
2.0 (RU20_, RU25_, RU30_, RU20R, RU25R, RU30R) (5R)		Gasolina	RWD	1994	72	98	08.77-08.84	■	
2.0 (YU60_, YU60R) (3Y)		Gasolina	RWD	1998	79	107	09.84-08.87	■	
2.4 D (2L)		Diesel	RWD	2446	55	75	08.77-04.79	■	
2.4 D (LH80_, LH80R) (2L)		Diesel	RWD	2446	55	75	08.87-04.95	■	
2.4 D (JY30) (2J)		Diesel	RWD	2481	55	75	09.84-08.87	■	
3.4 D (BU85, BU82, BU62_) (13B)		Diesel	RWD	3431	66	90	09.84-08.87	■	
DYNA 200 01.85-05.95							Platform/Chassis (LCVs-N1 Segment)		
3.0 D (BU6_, BU76, BU84) (11B)	-12/91	Diesel	RWD	2977	75	102	01.85-05.95	■	
3.7 D (BU66, BU87, BU88, BU91, BU67) (14B)	-12/91	Diesel	RWD	3661	71	97	08.88-05.95	■	
HiAce II (_H11_, _H2_, _H3_, _H4_) 02.77-11.82							Bus (Minibus-M2-Segment)		
1.6 (RH20, RH30) (12R)		Gasolina	RWD	1588	49	67	02.77-11.82	■	
1.8	01/81-	Gasolina	FWD	1795	58	79	02.77-	■	
2.2 D (LH20, LH30) (L)		Diesel	RWD	2188	49	67	09.79-10.82	■	

LISTA DE APLICACIONES - BUYERS GUIDE

HiAce II (_H11, _H2_, _H3_, _H4_) 02.77-03.83						Van (LCVs-N1 Segment)			
1.6 (RH30) (12R)	-12/82	Gasolina	RWD	1588	49	67	02.77-03.83	■	
2.0 (RH32) (18R)	-12/82	Gasolina	RWD	1968	65	88	02.77-03.83	■	
2.2 D (LH20, LH30) (L)	-12/82	Diesel	RWD	2188	49	67	01.79-03.83	■	
HiLux II-III / PICKUP (_N3_, _N4_) 07.78-05.84						Pickup (Pick-Up Truck)			
1.6 (RN40, RN30) (12R)		Gasolina	RWD	1588	49	67	08.78-07.83	■	
2.2 D	01/81-	Diesel	RWD	2195	59	80	07.78-	■	
PICKUP II (U.S.A.) 09.78-12.93						Platform/Chassis (LCVs-N1 Segment)			
2.2	01/80-	Gasolina	FWD	2195			09.78-	■	
2.2 4WD	01/80-	Gasolina	FWD	2195			09.78-	■	
2.4	01/81-	Gasolina	FWD	2395			09.78-	■	
2.4 4WD	01/81-	Gasolina	FWD	2395			09.78-	■	
2.2	01/81-	Diesel	RWD	2195			09.78-	■	
2.2 4WD	01/81-	Diesel	RWD	2195			09.78-	■	