

LISTA DE APLICACIONES - BUYERS GUIDE

140316

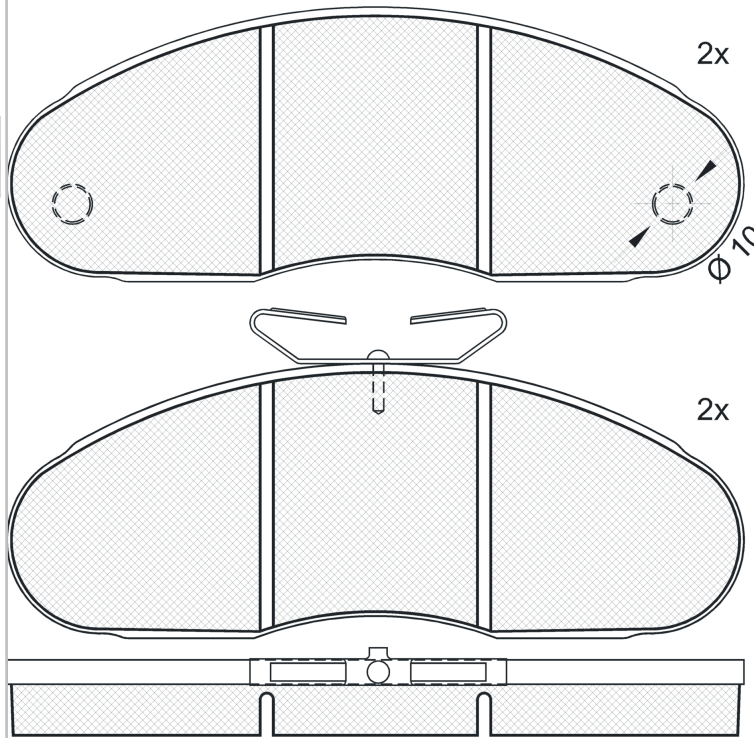


8 424073 010971

Qty: 639

Weight: 2.351

O.E.M.	MAKE
631 420 00 20 OE	MERCEDES-BENZ
631 420 02 20 OE	MERCEDES-BENZ



140316



Bendix

166.7x62.1x17

WVA

29706

29947

MAKE

AVIA

DKW

EBRO

MERCEDES-BENZ



Trac.	CC	Kw	CV



Front / Rear

AVIA

1000 01.83-						Platform/Chassis (LCVs-N1 Segment)		
1.5	01/83-	Gasolina	FWD	1495		01.83-	■	
1.7 D	01/83-	Diesel	RWD	1695		01.83-	■	
1250 01.83-						Platform/Chassis (LCVs-N1 Segment)		
1.5	01/83-	Gasolina	FWD	1495		01.83-	■	
1.6	01/86-	Gasolina	FWD	1595		01.83-	■	
2.0	01/89-	Gasolina	FWD	1995		01.83-	■	
2.0 D	01/86-	Diesel	RWD	1995		01.83-	■	
2.4 D	01/86-	Diesel	RWD	2395		01.83-	■	
2000 01.86-						Platform/Chassis (LCVs-N1 Segment)		
1.6	01/86-	Gasolina	FWD	1595		01.86-	■	
2.0	01/89-	Gasolina	FWD	1995		01.86-	■	
2.0 D	01/86-	Diesel	RWD	1995		01.86-	■	
2.4 D	01/86-	Diesel	RWD	2395		01.86-	■	

DKW

MB 100/130/131 01.82-						Van (LCVs-N1 Segment)		
100	01/82-	Gasolina	FWD		55	75	01.82-	■
130	01/82-	Gasolina	FWD		55	75	01.82-	■
131	01/82-	Gasolina	FWD		55	75	01.82-	■

EBRO

L Series 05.82-12.85						Platform/Chassis		
35	01/82-	Diesel		2995		05.82-	■	

LISTA DE APLICACIONES - BUYERS GUIDE

40	01/82-	Diesel		3995			05.82-	■
MERCEDES-BENZ								
MB II (W661) 11.99-05.05						Van (LCVs-N1 Segment)		
2.0 100 D	01/87-	Diesel	RWD	1995	48	65	11.99-	■
100 2.4 D (631.349)		Diesel	FWD	2399	53	72	11.99-12.02	■
MB120 01.73-						Van (LCVs-N1 Segment)		
120	01/87-	Diesel	RWD		55	75	01.73-	■
MB130 01.87-						Van (LCVs-N1 Segment)		
130	01/87-	Diesel	RWD		55	75	01.87-	■
MB90 01.73-						Van (LCVs-N1 Segment)		
90	01/80-	Diesel	RWD		55	75	01.73-	■