

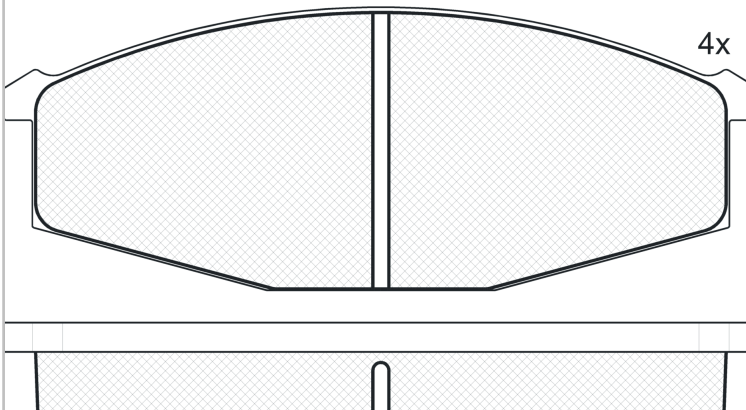
LISTA DE APLICACIONES - BUYERS GUIDE

140347



Qty: 639 Weight: 1.530

O.E.M.	MAKE
41060-02J90	NISSAN
41060-02J91	NISSAN
41060-32J90	NISSAN
41060-C7194	NISSAN
41060-C7891	NISSAN
41060-C7892	NISSAN
41060-C8186	NISSAN
41060-T7890	NISSAN
41060-T7893	NISSAN
41060-T7894	NISSAN
41060-V0491	NISSAN
86 60 004 778	RENAULT
86 71 019 104	RENAULT
D1060-02J90	NISSAN
D1060-C7192	NISSAN
D1060-T7893	NISSAN
DA060-T7890	NISSAN



140347

E 9 90R-02A0109/3377



Sumitomo

142.1x53.3x17.2

WVA
20863

MAKE
FORD
NISSAN



Trac.	CC	Kw	CV
-------	----	----	----



Front / Rear

FORD

MAVERICKa 01.87-01.93							Hatchback (Compact SUV-J Segment)		
All models	01/87-	Gasolina	FWD				01.87-		■

NISSAN

HOMY III-IV (E23) 08.82-04.92							Platform/Chassis (LCVs-N1 Segment)		
2.0	01/87-	Gasolina	FWD	1952	66	90	08.82-04.92		■

HOMY III-IV (E23) 08.82-04.92							Van (LCVs-N1 Segment)		
2.0	01/87-	Gasolina	FWD	1952	66	90	08.82-04.92		■

HOMY IV (E24) 05.92-10.97							Platform/Chassis (LCVs-N1 Segment)		
2.5 TD		Diesel	RWD	2494	61	83	05.92-10.95		■
2.7 TD		Diesel	RWD	2664	91	124	10.93-10.95		■
3.2 TD		Diesel	RWD	3166	106	144	05.92-10.94		■
3.2 D		Diesel	RWD	3246	70	95	10.93-10.97		■

HOMY IV (E24) 05.92-10.97							Van (LCVs-N1 Segment)		
2.4		Gasolina	FWD	2389	88	120	05.92-10.95		■
2.7		Gasolina	RWD	2689	108	147	05.92-10.95		■
3.0		Gasolina	FWD	2960	92	125	05.92-10.95		■
3.0		Gasolina	FWD	2960	118	160	10.94-10.97		■
2.5 TD		Diesel	RWD	2494	61	83	05.92-10.95		■
2.7 TD		Diesel	RWD	2664	91	124	10.93-10.95		■
3.2 TD		Diesel	RWD	3166	106	144	05.92-10.94		■
3.2 D		Diesel	RWD	3246	70	95	10.93-10.97		■

LISTA DE APLICACIONES - BUYERS GUIDE

PATROL III-2 (K260) 10.84-04.98					Closed Off-Road Vehicle (Off-Road SUV-J Segment)			
2.8 (L28)	-12/88	Gasolina	4WD	2753	88	120	05.86-06.90	■
3.0 (RB30S)		Gasolina	4WD	2962	109	148	03.89-10.93	■
3.0 4x4 (RB30S)		Gasolina	4WD	2962	109	148	03.89-10.93	■
2.8 D (A428)	01/85-	Diesel	4WD	2820	55	75	10.84-02.89	■
2.8 D	01/85-	Diesel	RWD	2820	55	75	12.83-02.89	■
2.8 D (A428II)		Diesel	4WD	2820	59	80	03.89-10.93	■
2.8 D 4x4 (A428II)		Diesel	4WD	2820	59	80	03.89-10.93	■
2.8 D	01/85-	Diesel	RWD	2820	62	84	10.84-02.89	■
2.8 D	01/85-	Diesel	RWD	2820	62	84	12.83-02.89	■
2.8 D (A428T)		Diesel	4WD	2820	76	103	03.89-04.98	■
2.8 D 4x4 (A428T)		Diesel	4WD	2820	76	103	03.89-04.98	■
2.8 TD (A428T)	01/85-	Diesel	4WD	2820	88	120	10.84-02.89	■
2.8 TD	01/85-	Diesel	RWD	2820	88	120	10.84-02.89	■
2.8 D (RD28)		Diesel	4WD	2826	66	90	03.89-03.96	■
2.8 D 4x4 (RD28)		Diesel	4WD	2826	66	90	03.89-03.96	■
2.8 D 4x4 (RD28)		Diesel	4WD	2826	68	92	01.90-01.91	■
2.8 TD (RD28T)		Diesel	4WD	2826	85	116	05.86-06.90	■
2.8 TD (RD28T)		Diesel	4WD	2826	85	116	06.89-11.95	■
2.8 TD 4x4 (RD28T)		Diesel	4WD	2826	86	117	03.92-06.93	■
3.3 D (SD33T)		Diesel	4WD	3246	81	110	08.88-06.90	■
3.3 D (SD33T)		Diesel	4WD	3246	81	110	08.88-06.90	■
4.2 D (TD42)		Diesel	4WD	4169	85	116	01.88-12.97	■
PATROL GR IV / SAFARI (Y60, GR) 01.86-02.98					Closed Off-Road Vehicle (Off-Road SUV-J Segment)			
4.2 Cat (TB42E)	-09/91	Gasolina	4WD	4169	121	165	11.88-02.98	■
2.8 TD (RD28T)		Diesel	4WD	2826	82	111	10.95-02.98	■
2.8 TD (Y60A) (RD28T)	-12/91	Diesel	4WD	2826	85	116	09.88-06.97	■
4.2 D (CRGY60, KY60, KRY60, WRGY60) (TD42)	-12/91	Diesel	4WD	4169	85	116	11.88-06.97	■
4.2 D 4x4 (CRGY60, VRY60, VRGY60, WRY60, WRGY60) (TD42)		Diesel	4WD	4169	92	125	07.92-05.94	■
PATROL III-1 (W160) 11.79-02.89					Closed Off-Road Vehicle (Off-Road SUV-J Segment)			
2.8 (W160) (L28)	01/85-	Gasolina	4WD	2753	88	120	07.80-08.88	■
2.8 D 4x4 (A428)	01/85-	Diesel	4WD	2820	55	75	12.83-02.89	■
2.8 D 4x4 (A428II)	01/85-	Diesel	4WD	2820	62	84	12.83-02.89	■
2.8 TD 4x4 (A428T)	01/85-	Diesel	4WD	2820	88	120	10.84-02.89	■
3.3 D (W160) (SD33)	01/85-	Diesel	4WD	3246	70	95	11.79-08.88	■
3.3 TD (W160) (SD33T)	01/85-	Diesel	4WD	3246	81	110	07.83-08.88	■
PATROL III-1 / SAFARI (K160) 11.79-02.89					Closed Off-Road Vehicle (Off-Road SUV-J Segment)			
2.8 (K160) (L28)		Gasolina	4WD	2753	88	120	07.80-08.88	■
2.8 (K160) (L28)	01/85-	Gasolina	4WD	2753	89	121	07.80-08.88	■
2.8 D (A428)	01/85-	Diesel	4WD	2820	55	75	12.83-02.89	■
2.8 D (A428II)	01/85-	Diesel	4WD	2820	62	84	12.83-02.89	■
2.8 TD (A428T)	01/85-	Diesel	4WD	2820	88	120	10.84-02.89	■
3.3 D (K160) (SD33)	01/85-	Diesel	4WD	3246	70	95	11.79-08.88	■
3.3 TD (K160) (SD33T)	01/85-	Diesel	4WD	3246	81	110	07.83-08.88	■
URVAN (E24) 10.95-08.00					Van (LCVs-N1 Segment)			
2.7 TD (TD27ETI)		Diesel	RWD	2664	92	125	10.95-08.00	■

LISTA DE APLICACIONES - BUYERS GUIDE

URVAN / CARAVAN (E24) 06.86-05.97						Bus (Minibus-M2-Segment)			
2.0 (Z20S)	01/87-	Gasolina	RWD	1952	65	88	06.86-09.94	■	
2.0 (Z20S)		Gasolina	RWD	1952	66	90	01.92-09.93	■	
2.4 i (Z24I)		Gasolina	RWD	2389	74	101	05.89-09.93	■	
3.0		Gasolina	FWD	2960	95	129	02.92-04.97	■	
2.5 D (TD25)		Diesel	RWD	2494	59	80	05.89-10.96	■	
2.7 TD		Diesel	RWD	2664	58	79	10.94-04.97	■	
3.2 TD		Diesel	RWD	3246	81	110	02.92-04.97	■	
URVAN / CARAVAN (E24) 06.86-05.97						Van (LCVs-N1 Segment)			
2.0 (Z20)	-12/94	Gasolina	RWD	1952	64	87	05.87-05.97	■	
2.0 (Z20S)		Gasolina	RWD	1952	65	88	06.86-09.94	■	
2.4 (Z24I)	-12/96	Gasolina	RWD	2389	72	98	10.93-05.97	■	
2.4		Gasolina	FWD	2389	74	101	02.92-04.97	■	
3.0		Gasolina	FWD	2960	95	129	02.92-04.97	■	
2.0 D		Diesel	RWD	1952	49	67	02.92-09.94	■	
2.3 D (TD23)	-12/89	Diesel	RWD	2289	51	69	01.88-05.97	■	
2.5 D (TD25)	-12/96	Diesel	RWD	2494	59	80	12.88-05.97	■	
2.7 TD		Diesel	RWD	2664	58	79	10.94-04.97	■	
3.2 D		Diesel	RWD	3246	70	95	02.92-04.97	■	
3.2 TD		Diesel	RWD	3246	81	110	02.92-04.97	■	