

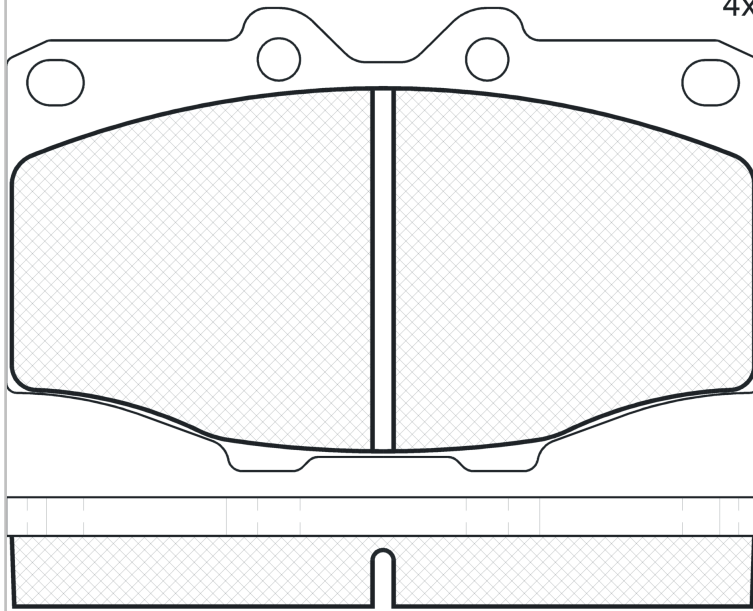
LISTA DE APLICACIONES - BUYERS GUIDE

140352



Qty: 639 Weight: 1.438

O.E.M.	MAKE
04465-35090	TOYOTA
04465-35170	TOYOTA
04465-35210	TOYOTA
04465-60040	TOYOTA
04465-60060	TOYOTA
04465-YZZCA	TOYOTA
04491-35070	TOYOTA
04491-35071	TOYOTA
04491-35080	TOYOTA
04491-35100	TOYOTA
04491-35101	TOYOTA
04491-35120	TOYOTA
04491-60010	TOYOTA
04491-60011	TOYOTA
04491-60030	TOYOTA
04491-60040	TOYOTA
04491-60050	TOYOTA



4x

140352

E 9 90R-01109/1326



Sumitomo

107.05x65.9x15.5

WVA	FMSI
20566	D137-7069
20852	
MAKE	
TOYOTA	



Trac.	CC	Kw	CV
-------	----	----	----



Front / Rear

TOYOTA

4RUNNER / HILUX SURF (_N5_, _N6_, _N7_) 07.84-10.89				SUV (Executive SUV-J Segment)				
2.4 (RN50, RN55, RN60) (22R)		Gasolina	4WD	2367	79	107	08.84-07.86	■
2.4 4WD (RN50, RN55, RN60) (22REC)		Gasolina	4WD	2367	82	112	08.87-07.89	■
HiLux II-III / PICKUP (_N3_, _N4_) 07.78-05.84				Pickup (Pick-Up Truck)				
2.0 4WD (RN46, RN36) (18R)		Gasolina	4WD	1968	65	88	01.79-07.83	■
HILUX IV / PICKUP (_N5_, _N6_) 11.82-11.98				Pickup (LCVs-N1 Segment)				
2.0 (YN57, YN60) (3Y)		Gasolina	RWD	1998	65	88	08.83-07.88	■
2.0 4WD (YN65_) (3Y)		Gasolina	4WD	1998	65	88	01.85-12.88	■
2.0 4WD (YN65_) (3Y-C)		Gasolina	4WD	1998	65	88	01.85-12.88	■
2.2 4WD (YN67) (4Y)	-12/88	Gasolina	4WD	2237	69	94	11.85-12.89	■
HILUX V (_N8_, _N9_, _N10_, _N11_) 09.88-08.01				Pickup (Pick-Up Truck)				
2.4 EFI 4WD (RN106_, RN110_, RN106R, RN110R) (22RE)		Gasolina	4WD	2367	84	114	01.89-07.97	■
2.4 i		Gasolina	FWD	2383	84	114	08.91-08.97	■
LAND CRUISER (_J6_) 08.80-12.92				Closed Off-Road Vehicle (Confort SUV-J Segment)				
4.0 (FJ62_V) (3F)		Gasolina	4WD	3956	101	137	11.84-08.87	■
4.0 (FJ62_G, FJ62RG) (3F-E)		Gasolina	4WD	3956	115	156	08.87-12.92	■
4.2 (FJ60_V, FJ55_) (2F)		Gasolina	4WD	4230	88	120	10.81-01.88	■
2.5 D	01/84-	Diesel	RWD	2495	70	95	08.80-	■
2.5 TD		Diesel	RWD	2498	85	116	11.84-12.89	■
3.4 Diesel (BJ60, BJ61) (3B)		Diesel	4WD	3432	66	90	10.81-08.87	■
4.0 Diesel (HJ60) (2H)		Diesel	4WD	3980	74	101	01.82-12.85	■
4.0 Diesel (HJ60) (2H)		Diesel	4WD	3980	76	103	10.82-12.89	■

LISTA DE APLICACIONES - BUYERS GUIDE

4.0 D (HJ60_) (2H)	01/84-	Diesel	4WD	3980	77	105	10.81-01.88	■	
4.0 Turbo-D (HJ61_V, HJ61) (12HT)		Diesel	4WD	3980	100	136	10.85-12.89	■	
LAND CRUISER (_J7_, _JL7_) 03.84-							Closed Off-Road Vehicle (Large SUV-J Segment)		
4WD	01/84-	Gasolina	FWD				03.84-	■	
2.4 (RJ70_, RJ73_) (22R)	-12/89	Gasolina	4WD	2367	77	105	11.84-05.93	■	
2.4 (RJ70_, RJ73_, RJ70RV) (22R)	-12/89	Gasolina	4WD	2367	81	110	11.84-05.93	■	
2.4 (RJ70_V, RJ73_V) (22RE)	-12/89	Gasolina	4WD	2367	84	114	01.85-12.96	■	
2.4 D (LJ70_, LJ70R) (2L)		Diesel	4WD	2446	53	72	11.84-10.85	■	
2.4 TD (LJ70_, LJ73_, LJ70RV) (2L-T)	-12/89	Diesel	4WD	2446	63	86	10.85-05.90	■	
2.5 TD		Diesel	RWD	2498	85	116	11.84-12.89	■	
3.4 TD (BJ71_V, BJ74) (13BT)		Diesel	4WD	3431	91	124	10.85-12.89	■	
4.0 D 4x4 (HJ75RV)		Diesel	4WD	3980	76	103	11.84-01.90	■	
LAND CRUISER / BANDEIRANTE (_J4_, _J5_) 08.67-11.01							Closed Off-Road Vehicle (Confort SUV-J Segment)		
4.2 (FJ40, FJ43, FJ45, FJ55) (2F)	01/80-	Gasolina	4WD	4230	89	121	01.75-04.86	■	
3.0 D 4WD (BJ42, BJ40RV) (B)	01/80-	Diesel	4WD	2977	59	80	03.69-10.84	■	
3.4 D (BJ42_V, BJ45_V, BJ46_, BJ42RV, BJ45RV) (3B)		Diesel	4WD	3432	66	90	08.80-10.84	■	
4.0 D (HJ47_V) (2H)		Diesel	4WD	3980	76	103	08.80-10.84	■	
LAND CRUISER / BANDEIRANTE (_J4_) 01.65-11.01							Pickup (Off-Road SUV-J Segment)		
4.2 (FJ45_P) (2F)	01/80-	Gasolina	4WD	4230	89	121	01.75-04.86	■	
3.4 D (BJ45_P, BJ45RP) (3B)		Diesel	4WD	3432	66	90	08.80-10.84	■	
4.0 D (HJ47_P, HJ47RP) (2H)		Diesel	4WD	3980	76	103	08.80-10.84	■	
SURF 01.87-							Pickup (Compact SUV-J Segment)		
2.4 4WD	01/87-	Gasolina	FWD	2395			01.87-	■	