

LISTA DE APLICACIONES - BUYERS GUIDE

140561

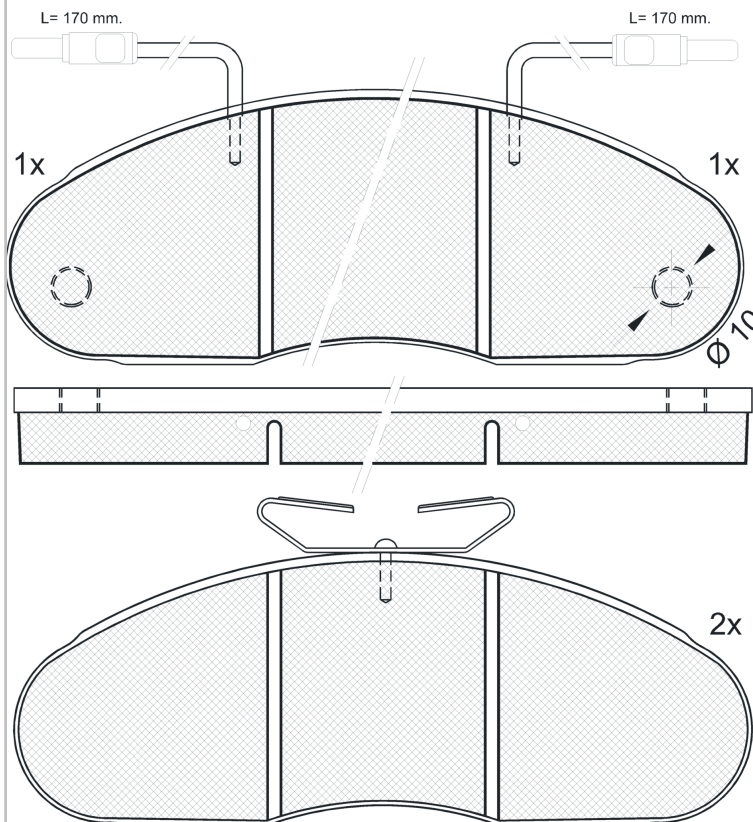


8 424073 011336

Qty: 639

Weight: 2.641

O.E.M.	MAKE
06902656-0	NISSAN
06903081-0	NISSAN
06903100-0	NISSAN



140561



Bendix

166.7x62.1x17

WVA

29034
29035
29220
29221
29947

MAKE

JEEP
NISSAN
VAUXHALL
VW



Trac.	CC	Kw	CV
-------	----	----	----



Front / Rear

JEEP

WRANGLER (YJ, SJ_) 08.86-08.96	Open Off-Road Vehicle (Mini SUV-J Segment)			
4.2 (6L <C 2V>)	Gasolina	4WD	4235	84 114 08.86-08.89

NISSAN

CABSTAR / ATLAS (TL_, VL_) 07.92-11.06	Platform/Chassis (LCVs-N1 Segment)			
75.28 (TL0) (LD23)	Diesel	RWD	2283	55 75 10.98-10.06
90.32, 90.28, 95.32, 95.28 (TL0) (TD27T)	Diesel	RWD	2664	66 90 10.98-10.06
105.35, 110.35, 110.45 (TL0) (BD-30TI)	Diesel	RWD	2953	78 106 10.98-10.06
120.35, 120.45 (TL0) (BD-30TI)	Diesel	RWD	2953	88 120 10.98-10.06

KB 01.85-	Pickup (Pick-Up Truck)			
2.8 D	01/85-	Diesel	RWD	2795 54 74 01.85-

L Series 01.95-12.00	Platform/Chassis			
3.0 L 35. 85 D	01/82-	Diesel	2995	54 74 01.95-
3.0 L 35.100 D TDiC	01/82-	Diesel	2995	78 106 01.95-
4.0 L 40	01/82-	Diesel	3995	55 75 01.95-

TRADE 06.96-10.01	Bus (Minibus-M2-Segment)			
3.0 TDiC (BD-30TI)	Diesel	RWD	2953	78 106 06.96-10.01

TRADE 01.94-12.98	Platform/Chassis (LCVs-N1 Segment)			
2.3 D (LD23)	Diesel	RWD	2283	55 75 06.96-10.01
2.3 D (LD23)	Diesel	RWD	2283	55 75 11.98-04.01
3.0 D (BD30II)	Diesel	RWD	2953	63 86 01.94-12.98
3.0 D (BD-30TI)	Diesel	RWD	2953	78 106 01.96-12.98

LISTA DE APLICACIONES - BUYERS GUIDE

3.0 TDiC (BD-30TI)		Diesel	RWD	2953	78	106	06.96-10.01	■	
3.0 TD (BD-30TI)		Diesel	RWD	2953	81	110	11.98-09.04	■	
TRADE 01.96-12.00					Van (LCVs-N1 Segment)				
75 (LD23)	-12/98	Diesel	RWD	2283	55	75	05.97-12.00	■	
100 (BD-30TI)		Diesel	RWD	2953	78	106	01.96-12.98	■	
3.0 TDiC (BD-30TI)		Diesel	RWD	2953	78	106	06.96-10.01	■	
VAUXHALL									
MIDI (MID) 09.84-06.88					Bus (Minibus-M2-Segment)				
1.8		Gasolina	RWD	1817	63	86	09.84-05.88	■	
2.0 TD (4FC1)		Diesel	RWD	1995	50	68	09.84-05.88	■	
VW									
PARATI IV Variant / GOL COUNTRY IV (5W5) 05.03-					Estate (Large family car-D Segment)				
1.6 TotalFlex		Gasolina	FWD	1596	71	97	11.06-	■	