

LISTA DE APLICACIONES - BUYERS GUIDE

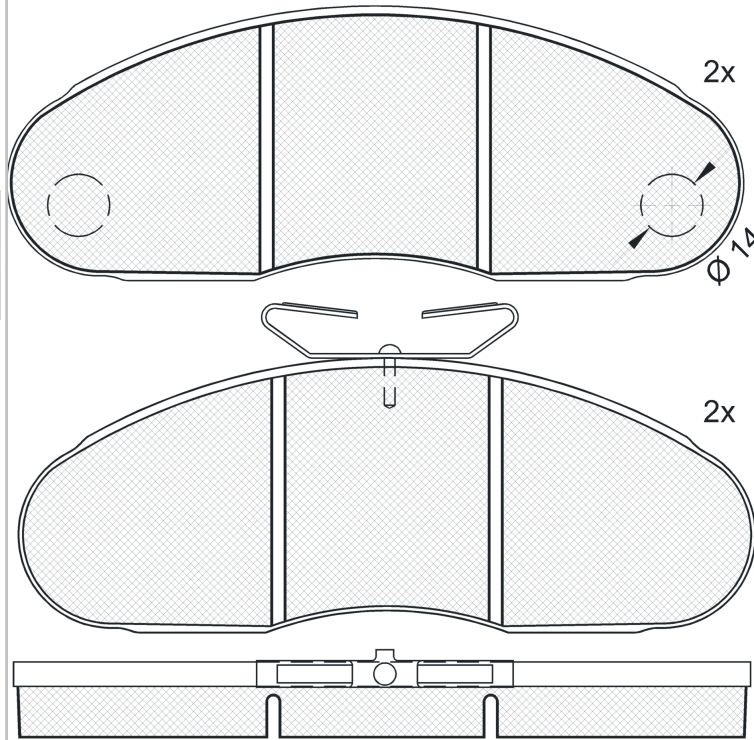
140834



Qty: 639

Weight: 2.415

| O.E.M. | MAKE |
|---------------|-----------------------|
| 631 420 00 20 | MERCEDES-BENZ |
| 631 420 02 20 | MERCEDES-BENZ |
| M-06905294-1 | NISSAN (M.IBERICA) |



1 - Ref. 690025

140834



Bendix

166.7x62.1x17

WVA

29071

29947

MAKE

AVIA

MERCEDES-BENZ

NISSAN (M.IBERICA)



| Trac. | CC | Kw | CV |
|-------|----|----|----|
| | | | |



Front / Rear

AVIA

| 1000 01.83- | | | | | | Platform/Chassis (LCVs-N1 Segment) | | |
|-------------|--------|----------|-----|------|--|------------------------------------|--------|---|
| 1.5 | 01/83- | Gasolina | FWD | 1495 | | | 01.83- | ■ |
| 1.7 D | 01/83- | Diesel | RWD | 1695 | | | 01.83- | ■ |
| 1250 01.83- | | | | | | Platform/Chassis (LCVs-N1 Segment) | | |
| 1.5 | 01/83- | Gasolina | FWD | 1495 | | | 01.83- | ■ |
| 1.6 | 01/86- | Gasolina | FWD | 1595 | | | 01.83- | ■ |
| 2.0 | 01/89- | Gasolina | FWD | 1995 | | | 01.83- | ■ |
| 2.0 D | 01/86- | Diesel | RWD | 1995 | | | 01.83- | ■ |
| 2.4 D | 01/86- | Diesel | RWD | 2395 | | | 01.83- | ■ |
| 2000 01.86- | | | | | | Platform/Chassis (LCVs-N1 Segment) | | |
| 1.6 | 01/86- | Gasolina | FWD | 1595 | | | 01.86- | ■ |
| 2.0 | 01/89- | Gasolina | FWD | 1995 | | | 01.86- | ■ |
| 2.0 D | 01/86- | Diesel | RWD | 1995 | | | 01.86- | ■ |
| 2.4 D | 01/86- | Diesel | RWD | 2395 | | | 01.86- | ■ |

MERCEDES-BENZ

| MB (W631) 02.88-02.96 | | | | | | Platform/Chassis (LCVs-N1 Segment) | | |
|--------------------------|--------|--------|-----|------|----|------------------------------------|-------------|---|
| D (631.340) (OM 616.963) | | Diesel | FWD | 2399 | 53 | 72 | 02.88-05.92 | ■ |
| D (631.340) (OM 616.963) | | Diesel | FWD | 2399 | 55 | 75 | 12.90-02.96 | ■ |
| MB II (W661) 11.99-05.05 | | | | | | Van (LCVs-N1 Segment) | | |
| 2.0 100 D | 01/87- | Diesel | RWD | 1995 | 48 | 65 | 11.99- | ■ |
| 100 2.4 D (631.349) | | Diesel | FWD | 2399 | 53 | 72 | 11.99-12.02 | ■ |

LISTA DE APLICACIONES - BUYERS GUIDE

| | | | | | | | | | |
|---------------------------|--------|--------|-----|------|----|------------------------------|--------|---|---|
| MB120 01.73- | | | | | | Van (LCVs-N1 Segment) | | | |
| 120 | 01/92- | Diesel | RWD | | 55 | 75 | 01.73- | ■ | |
| MB130 01.87- | | | | | | Van (LCVs-N1 Segment) | | | |
| 130 | 01/92- | Diesel | RWD | | 55 | 75 | 01.87- | ■ | |
| MB90 01.73- | | | | | | Van (LCVs-N1 Segment) | | | |
| 90 | 01/92- | Diesel | RWD | | 55 | 75 | 01.73- | ■ | |
| O 100 01.94- | | | | | | Bus | | | |
| City (602940) | | Diesel | | 2874 | 70 | 95 | 01.94- | ■ | ■ |
| City (OM 602.940) | | Diesel | | 2874 | 70 | 95 | 01.94- | ■ | ■ |
| NISSAN (M.IBERICA) | | | | | | | | | |
| TRADE 01.85- | | | | | | Van (LCVs-N1 Segment) | | | |
| 2.0 60 D | 01/85- | Diesel | RWD | 1995 | 43 | 59 | 01.85- | ■ | |
| 2.8 80 D | 01/85- | Diesel | RWD | 2795 | 59 | 80 | 01.85- | ■ | |