

LISTA DE APLICACIONES - BUYERS GUIDE

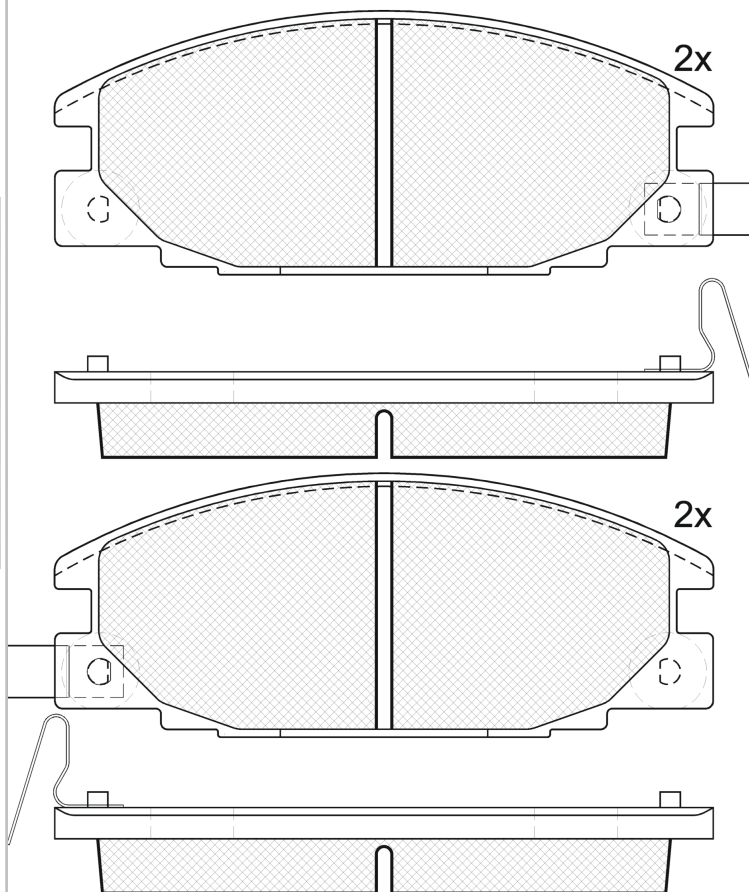
140854



Qty: 639

Weight: 1.414

O.E.M.	MAKE
16 05 871	OPEL
8-94310-469	ISUZU
8-94335-787-0	ISUZU
8-94335-787-1	ISUZU
8-94388-198-0	ISUZU
8-94461-155-1	ISUZU
8-94483-220-0	ISUZU
8-94483-220-1	ISUZU
8-97012-880-0	ISUZU
8-97049-429-0	ISUZU
8-97049-429-1	ISUZU
8-97079-638-0	ISUZU
90 541 257	VAUXHALL



140854



Akebono

127.1x50.9x15.5

WVA	FMSI
21467	D363-7347
21543	
21544	

MAKE
BEDFORD
FORD
HOLDEN
ISUZU
OPEL
VAUXHALL



Trac.	CC	Kw	CV



Front / Rear

BEDFORD

BRAVO 01.89-

Pickup (Pick-Up Truck)

2.0 D	01/89-	Diesel	RWD	1995			01.89-	■
-------	--------	--------	-----	------	--	--	--------	---

FORD

GRANADA II Turnier (GNU) 08.77-08.85

Estate (Executive car-E Segment)

2.8 i (PRB)		Gasolina	RWD	2792	118	160	08.77-08.81	■
-------------	--	----------	-----	------	-----	-----	-------------	---

HOLDEN

JACKAROO (UBS) 11.81-02.98

Closed Off-Road Vehicle (Executive SUV-J Segment)

2.6		Gasolina	FWD	2559	85	116	10.87-09.91	■
2.2 TD		Diesel	RWD	2238	54	73	10.85-09.88	■
2.8 TD (UBS55)		Diesel	RWD	2771	74	101	10.87-09.91	■

ISUZU

CAMPO / FASTER (KB) 04.77-12.91

Pickup (Pick-Up Truck)

2.2 (TFS) (4ZD1)		Gasolina	RWD	2254	66	90	01.89-12.90	■
2.2 4WD		Gasolina	4WD	2254	66	90	04.88-12.88	■
2.2 D (KBD27) (C223)		Diesel	RWD	2238	39	53	04.86-12.90	■
2.2 D 4WD (KBD42, KBD47) (C223)	-12/88	Diesel	4WD	2238	39	53	01.83-12.90	■
2.2 D (KBD27) (C223)		Diesel	RWD	2238	45	61	01.83-12.91	■
2.5 D (KB27) (4JA1)		Diesel	RWD	2499	55	75	01.83-12.90	■
2.5 D 4WD (KBD47) (4JA1)		Diesel	4WD	2499	55	75	01.83-12.90	■

MU / CAMEO (_ U _) 02.89-08.02

Closed Off-Road Vehicle (Compact SUV-J Segment)

3.2 4x4 (UES25, UES25EW)		Gasolina	4WD	3165	158	215	06.98-08.02	■
3.0 D 4x4 (UES73EW) (4JX1-TC)		Diesel	4WD	2999	107	146	06.98-08.02	■

LISTA DE APLICACIONES - BUYERS GUIDE

3.1 TD 4x4 (UCS69)		Diesel	4WD	3059	88	120	08.93-05.98	■	
PICK UP 10.87-08.96					Pickup (Pick-Up Truck)				
2.6 4x4		Gasolina	4WD	2559	90	122	10.87-08.90	■	
2.6 LS (4ZE1)		Gasolina	RWD	2559	90	122	10.87-08.90	■	
RODEO (U.S.A.) 09.90-12.97					Closed Off-Road Vehicle (Pick-Up Truck)				
2.6 LS	01/91-	Gasolina	FWD	2595	84	114	09.90-	■	
TROOPER / BIGHORN (UBS) 01.83-12.91					Closed Off-Road Vehicle (Executive SUV-J Segment)				
2.6 CLS Plane		Gasolina	FWD	2559	66	90	11.86-07.91	■	
2.6 4WD (4ZE1)		Gasolina	4WD	2559	85	116	11.86-07.91	■	
2.2 D 4WD (C223)		Diesel	4WD	2238	39	53	05.84-12.89	■	
2.8 TD (UBS55) (4JB1-T)		Diesel	4WD	2771	71	97	10.87-12.91	■	
2.8 TD (UBS55) (4JB1-TC)		Diesel	4WD	2771	78	106	10.88-12.91	■	
2.8 TD 4WD		Diesel	4WD	2771	81	110	11.86-07.91	■	
TROOPER / BIGHORN (UBS) 01.83-12.91					Open Off-Road Vehicle (Executive SUV-J Segment)				
2.0 (UBS13) (G200Z)		Gasolina	RWD	1949	58	79	01.83-12.85	■	
2.3 (UBS16) (4ZD1)	01/86-	Gasolina	4WD	2254	66	90	11.85-12.91	■	
2.6 CLS Plane		Gasolina	FWD	2559	66	90	11.86-07.91	■	
2.6 i (UBS17) (4ZE1)		Gasolina	4WD	2559	85	116	10.87-12.91	■	
2.2 D 4x4 (C223)		Diesel	4WD	2238	39	53	05.84-07.89	■	
2.2 TD (UBS52) (C223-T)		Diesel	4WD	2238	53	72	03.84-12.91	■	
2.8 TD 4x4		Diesel	4WD	2771	81	110	11.86-07.91	■	
OPEL									
CAMPO (TF0, TF1) 08.87-06.02					Pickup (Pick-Up Truck)				
2.3 (TFR16) (4 ZD1)		Gasolina	RWD	2254	69	94	08.91-08.94	■	
2.3 4x4 (TFS16) (4 ZD1)		Gasolina	4WD	2254	69	94	08.91-08.94	■	
2.3 (TFR16) (4 ZD1)		Gasolina	RWD	2254	72	98	08.94-09.96	■	
2.3 4x4 (TFS16) (4 ZD1)		Gasolina	4WD	2254	72	98	08.94-09.96	■	
2.2 D (4FD1)		Diesel	RWD	2189	45	61	09.90-08.92	■	
2.2 D 4x4 (4FD1)		Diesel	4WD	2189	45	61	09.90-08.92	■	
2.2 D (TFR52)		Diesel	RWD	2238	39	53	08.91-09.96	■	
2.2 D 4x4 (TFS52)		Diesel	4WD	2238	39	53	08.91-09.96	■	
2.2 D (TFR52) (C223)		Diesel	RWD	2238	45	61	08.87-08.90	■	
2.2 D 4x4 (TFS52) (C223)		Diesel	4WD	2238	45	61	08.87-08.90	■	
2.5 D (TFR54) (4JA1)		Diesel	RWD	2499	56	76	08.91-06.94	■	
2.5 D 4x4 (TFS54) (4JA1)		Diesel	4WD	2499	56	76	08.91-06.94	■	
2.5 TD (TFR54) (4JA1-T)		Diesel	RWD	2499	56	76	07.94-06.01	■	
2.5 TD 4x4 (TFS54) (4JA1-T)		Diesel	4WD	2499	56	76	07.94-06.01	■	
2.5 DTi (4JA1-TC)		Diesel	RWD	2499	74	101	07.01-12.01	■	
2.5 DTi 4x4 (4JA1-TC)		Diesel	4WD	2499	74	101	07.01-12.01	■	
3.1 TD (TFR69) (4 JG2T)		Diesel	RWD	3059	80	109	12.92-06.01	■	
3.1 TD 4x4 (TFS69) (4 JG2T)		Diesel	4WD	3059	80	109	12.92-06.01	■	
FRONTERA A (U92) 03.92-10.98					Closed Off-Road Vehicle (Compact SUV-J Segment)				
2.4 i (53MWL4) (C 24 NE)	-12/95	Gasolina	4WD	2410	92	125	03.92-10.98	■	
2.3 TD (5JMWL4) (23 DTR)	-12/95	Diesel	4WD	2260	74	100	03.92-10.98	■	
FRONTERA A Sport (U92) 03.92-10.98					Open Off-Road Vehicle (Compact SUV-J Segment)				
2.0 i (52SUD2, 55SUD2) (C 20 NE)	-12/95	Gasolina	4WD	1998	85	115	03.92-10.98	■	
2.0 i (52SUD2, 55SUD2) (X 20 SE)	-12/95	Gasolina	4WD	1998	85	115	03.92-10.98	■	

VAUXHALL

LISTA DE APLICACIONES - BUYERS GUIDE

BRAVA (TF0, TF1) 12.88-12.02						Pickup (Pick-Up Truck)			
2.3 (TFR16) (4 ZD1)		Gasolina	RWD	2254	69	94	08.91-08.94	■	
2.3 4x4 (TFS16) (4 ZD1)		Gasolina	4WD	2254	69	94	06.90-08.94	■	
2.3 4x4 (TFS16) (23 P)		Gasolina	4WD	2254	72	98	08.94-09.96	■	
2.2 D (TFR52)		Diesel	RWD	2238	39	53	12.88-09.96	■	
2.2 D 4x4 (TFS52)		Diesel	4WD	2238	39	53	12.88-09.96	■	
2.5 TD (TFR54) (4JA1-T)		Diesel	RWD	2499	56	76	08.91-06.94	■	
2.5 TD (TFR54) (4JA1-T)		Diesel	RWD	2499	56	76	07.94-12.02	■	
2.5 TD 4x4 (TFS54) (4JA1-T)		Diesel	4WD	2499	56	76	06.90-06.94	■	
2.5 TD 4x4 (TFS54) (4JA1-T)		Diesel	4WD	2499	56	76	07.94-12.02	■	
2.5 DTi (4JA1-T)		Diesel	RWD	2499	74	101	08.01-12.02	■	
2.5 DTi 4x4 (4JA1-T)		Diesel	4WD	2499	74	101	08.01-12.02	■	
FRONTERA Mk I (A) (U92) 09.91-10.98						Closed Off-Road Vehicle (Compact SUV-J Segment)			
2.4 i (C 24 NE)	-12/95	Gasolina	4WD	2410	92	125	03.92-10.98	■	
2.3 TD (23 DTR)	-12/95	Diesel	4WD	2260	74	100	09.91-06.98	■	
FRONTERA Mk I (A) Sport (U92) 03.92-10.98						Open Off-Road Vehicle (Compact SUV-J Segment)			
2.0 i (C 20 NE)	-12/95	Gasolina	4WD	1998	85	115	03.92-10.98	■	
2.0 i (X 20 SE)	-12/95	Gasolina	4WD	1998	85	115	03.92-10.98	■	