

# LISTA DE APLICACIONES - BUYERS GUIDE

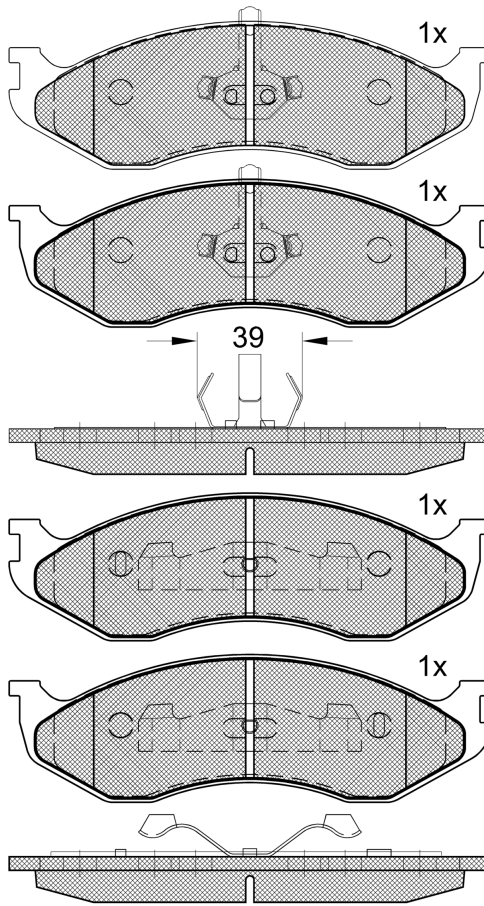
## 140968



Qty: 639

Weight: 1.910

O.E.M.	MAKE
04778058	JEEP
04778058AB	JEEP
04883344	JEEP
04883344AC	JEEP
04883344AD	JEEP
05252531	JEEP
4713175	JEEP
4778058	JEEP
4778058AB	JEEP
4778058AC	JEEP
4778059	JEEP
4883344	JEEP
4883344AB	JEEP
4883344AC	JEEP
4883344AD	JEEP
4883344C	JEEP
4883344D	JEEP
5191955AA	JEEP
5252531	JEEP
83 05 252 531	RENAULT
8305252531	JEEP
83501356	JEEP
83504371	AMC
V1010058AB	JEEP



## 140968



**E1 90R-01217/179**

Kelsey Hayes

177x54.3x17.2

WVA	FMSI
21822	D477-7358A
21823	D712-7358
21824	D712-7507A
21825	

MAKE
AMC
JEEP
KIA



Trac.	CC	Kw	CV



Front / Rear

### AMC

CHEROKEE 01.82-12.94							Hatchback (Compact SUV-J Segment)		
4.0	01/90-	Gasolina	FWD	3995	135	183	01.82-	■	

GRAND CHEROKEE 01.91-12.94							Hatchback (Compact SUV-J Segment)		
4.0	01/91-	Gasolina	FWD	3995	135	183	01.91-	■	
5.2	01/91-	Gasolina	FWD	5195	157	214	01.91-	■	
5.2	01/91-	Gasolina	FWD	5195	165	225	01.91-	■	

### JEEP

CHEROKEE II / WAGONEER (XJ) 09.83-09.01							Closed Off-Road Vehicle (Compact SUV-J Segment)		
2.5 i 4x4 (EPE)	-12/00	Gasolina	4WD	2464	87	118	10.84-09.01	■	
2.5 SE (EPE)		Gasolina	RWD	2464	87	118	10.96-09.99	■	
2.5 (EPE)		Gasolina	RWD	2464	89	121	10.90-09.96	■	
2.5 (EPE)		Gasolina	RWD	2464	90	122	10.86-09.90	■	
2.5 4x4 (EPE)		Gasolina	4WD	2464	90	122	10.86-09.90	■	
2.5 (EPE)	-12/00	Gasolina	4WD	2469	89	121	10.95-09.01	■	
2.5 i 4x4 (EPE)	-12/00	Gasolina	4WD	2469	90	122	12.91-09.01	■	
2.5 i 4x4 (HX)	-12/00	Gasolina	4WD	2469	90	122	12.91-09.01	■	
4.0 (M400L)		Gasolina	RWD	3956	131	178	10.86-09.90	■	
4.0 4x4 (M400L)		Gasolina	4WD	3956	131	178	10.86-09.90	■	
4.0 i (ERH)	-12/00	Gasolina	4WD	3960	127	173	07.98-09.01	■	
4.0 i (MX)	01/00-	Gasolina	4WD	3960	135	184	02.99-09.01	■	
4.0 i 4x4 (ERH)	-12/00	Gasolina	4WD	3964	131	178	01.95-09.01	■	
4.0 i (MX)	-12/00	Gasolina	4WD	3964	135	184	12.91-09.01	■	
4.0 i (ERH)	01/90-	Gasolina	4WD	3964	136	185	01.88-09.01	■	

# LISTA DE APLICACIONES - BUYERS GUIDE

4.0	01/90-	Gasolina	FWD	3995	90	122	09.83-	■	
2.1 D 4x4 (J8S 742)	01/90-	Diesel	4WD	2068	59	80	10.86-09.92	■	
2.1 TD (J8S)	01/90-	Diesel	RWD	2068	59	80	06.89-03.92	■	
2.1 TD (J8S)	01/92-	Diesel	4WD	2068	64	87	10.84-09.01	■	
2.5 TDI 4x4 (ENC)		Diesel	4WD	2498	85	116	10.96-09.01	■	
2.5 TD 4x4 (ENC)	01/90-	Diesel	4WD	2499	85	116	01.88-09.01	■	
<b>COMANCHE (MJ) 09.85-09.96</b>					<b>Pickup (Pick-Up Truck)</b>				
2.5 4WD	01/89-	Gasolina	FWD	2495	76	103	09.85-	■	
2.5 4WD	01/89-	Gasolina	FWD	2495	87	119	09.85-	■	
2.5 4WD	01/89-	Gasolina	FWD	2495	90	122	09.85-	■	
4.0 4x4 (ERH)		Gasolina	4WD	3964	130	178	10.87-09.96	■	
4.0 4WD	01/89-	Gasolina	FWD	3995	123	167	09.85-	■	
4.0 4WD	01/89-	Gasolina	FWD	3995	129	176	09.85-	■	
4.0 4WD Automatic..	01/91-	Gasolina	FWD	3995	129	176	09.85-	■	
4.0 4WD	01/89-	Gasolina	FWD	3995	132	179	09.85-	■	
<b>GRAND CHEROKEE (ZJ, ZG) 09.91-04.99</b>					<b>Closed Off-Road Vehicle (Luxury Crossover SUV-J Segment)</b>				
4.0 i 4x4 (Z) (S01)		Gasolina	4WD	3960	130	177	10.95-04.99	■	
4.0 Laredo (ERH)		Gasolina	RWD	3964	131	178	10.96-09.98	■	
4.0 i 4x4 (ZJ) (ERH)		Gasolina	4WD	3964	132	180	06.92-04.99	■	
4.0 i 4x4 (ZJ) (MX)		Gasolina	4WD	3964	135	184	09.91-04.99	■	
5.2 Limited 4x4 (ELF)		Gasolina	4WD	5210	136	185	10.96-09.98	■	
5.2 i 4x4 (ZJ) (ELF)		Gasolina	4WD	5210	155	211	01.92-04.99	■	
5.2 i 4x4 (ZJ) (Y)		Gasolina	4WD	5210	158	215	09.92-09.98	■	
5.2 (ELF)		Gasolina	RWD	5210	164	223	10.96-09.98	■	
5.2 4x4 (ELF)		Gasolina	4WD	5210	164	223	10.96-09.98	■	
5.2 4x4 (Z) (Y01)		Gasolina	4WD	5216	156	212	10.95-04.99	■	
5.9 i 4x4 (EML)		Gasolina	4WD	5889	177	241	08.97-04.99	■	
2.5 TD Laredo (ENC)		Diesel	RWD	2498	85	115	10.96-09.98	■	
2.5 TD 4x4 (Z) (ENC)		Diesel	4WD	2499	85	115	10.95-04.99	■	
<b>WAGONEER (U.S.A.) 09.71-12.90</b>					<b>Closed Off-Road Vehicle (Luxury Crossover SUV-J Segment)</b>				
2.5	01/87-	Gasolina	FWD	2495	90	123	09.71-	■	
<b>WRANGLER (YJ, SJ_) 08.86-08.96</b>					<b>Open Off-Road Vehicle (Mini SUV-J Segment)</b>				
2.5	01/91-	Gasolina	4WD	2464	76	103	01.88-12.91	■	
2.5 (EPE)		Gasolina	4WD	2464	89	121	12.91-08.96	■	
4.0 (ERH)	-12/95	Gasolina	4WD	3964	131	178	12.91-08.96	■	
4.2 (6L <C 2V>)		Gasolina	4WD	4235	84	114	08.86-08.89	■	
<b>WRANGLER II (TJ) 08.96-12.08</b>					<b>Open Off-Road Vehicle (Mini SUV-J Segment)</b>				
2.4 (ED1)	-12/06	Gasolina	4WD	2429	105	143	11.02-04.07	■	
2.5 (P00)	01/97-	Gasolina	4WD	2464	87	118	08.96-04.07	■	
3.8 Rubicon Tracción trasera		Gasolina	FWD	3778	153	208	03.06-04.07	■	
4.0 (S01)	01/97-	Gasolina	4WD	3960	130	177	08.96-04.07	■	
4.0	-12/01	Gasolina	4WD	3964	124	169	06.98-04.07	■	
4.0 Rubicon (ERH)	-12/06	Gasolina	4WD	3964	128	174	08.03-04.07	■	
4.0 (ERH)		Gasolina	4WD	3964	130	177	08.96-04.07	■	
<b>WRANGLER III (JK) 06.06-</b>					<b>Open Off-Road Vehicle (Mini SUV-J Segment)</b>				
2.8 CRD RWD		Diesel	RWD	2776	130	177	04.07-02.10	■	

**KIA**

# LISTA DE APLICACIONES - BUYERS GUIDE

<b>CARNIVAL I / SEDONA / NAZA RIA (UP, FL) 06.98-10.01</b>					<b>MPV (Large MPV-M1 Segment)</b>			
2.5 V6 (KV6)	-12/00	Gasolina	FWD	2497	121	165	08.99-10.01	■
2.5 i		Gasolina	FWD	2497	132	180	10.00-10.01	■
2.9 TDi (J3)	-12/00	Diesel	FWD	2902	93	126	08.99-10.01	■