

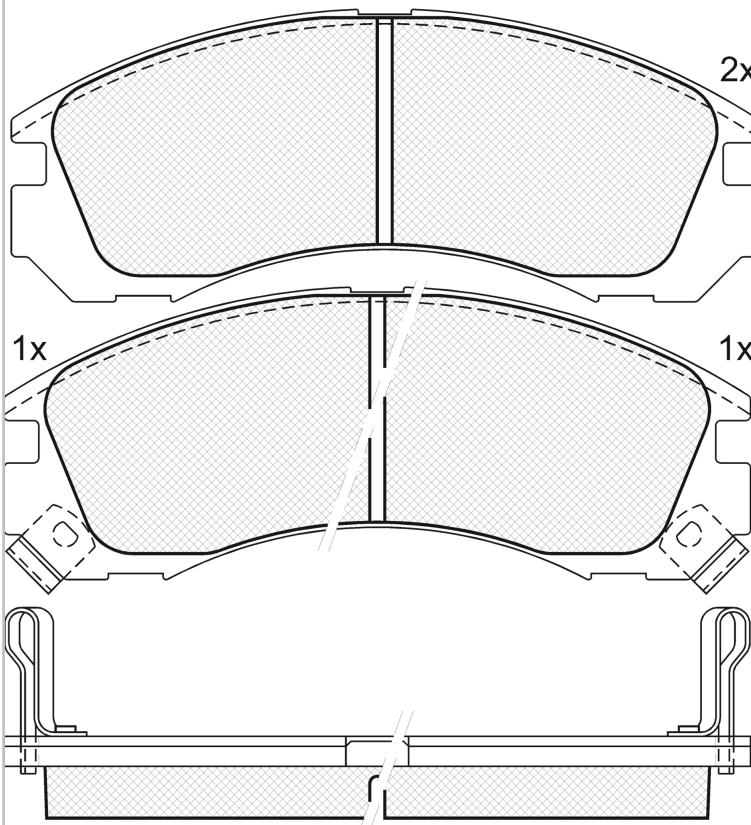
# LISTA DE APLICACIONES - BUYERS GUIDE

## 140979



Qty: 639

Weight: 1.835



## 140979



**90R-01109/1312**

Akebono

149.9x58.8x16

**WVA**

21363

21768

21769

**FMSI**

D530-7412

**MAKE**

CHANGFENG

CITROËN

DODGE

MITSUBISHI

MITSUBISHI (BBDC)

PEUGEOT



Trac.	CC	Kw	CV
-------	----	----	----



Front / Rear

### CHANGFENG

DUV 01.09-						Closed Off-Road Vehicle (Compact SUV-J Segment)			
2.4		Gasolina	FWD	2351	96	131	01.09-	■	
2.4		Gasolina	FWD	2351	96	131	01.09-	■	

HEIJINGANG 01.02-						Closed Off-Road Vehicle (Compact SUV-J Segment)			
2.4		Gasolina	FWD	2350	95	127	09.07-	■	
2.4		Gasolina	FWD	2350	95	127	09.07-	■	
3.0		Gasolina	FWD	2972	133	178	09.07-	■	
3.0		Gasolina	FWD	2972	133	178	09.07-	■	

### CITROËN

C-CROSSER (VU_) 02.07-12.12						SUV Van (Compact SUV-J Segment)			
2.2 HDi (VU4HNNH)		Diesel	4WD	2179	115	156	06.07-12.12	■	

C-CROSSER (VU_, VV_) 02.07-						SUV (Compact SUV-J Segment)			
2.0 (4B11)		Gasolina	FWD	1998	108	147	11.10-12.12	■	
2.0 Alas 4 ruedas (4B11)		Gasolina	4WD	1998	108	147	11.10-12.12	■	
2.4 16V (SFZ (4B12 MMC))		Gasolina	4WD	2360	125	170	08.08-12.12	■	
2.0 HDi 140		Diesel	RWD	1995	98	134	02.07-	■	
2.2 HDi (4HK (DW12ME5))		Diesel	4WD	2179	115	156	02.07-12.12	■	
2.2 HDi (4HN (DW12MTED4))		Diesel	4WD	2179	115	156	02.07-12.12	■	

C-CROSSER ENTERPRISE (VU_, VV_) 01.09-						SUV Van (Compact SUV-J Segment)			
2.4 16V (4B12)		Gasolina	4WD	2360	125	170	01.09-	■	
2.2 HDi (4HN (DW12MTED4))		Diesel	4WD	2179	115	156	01.09-	■	

### DODGE

# LISTA DE APLICACIONES - BUYERS GUIDE

					<b>Hatchback (Compact SUV-J Segment)</b>				
<b>STEALTH 09.90-12.96</b>									
3.0		Gasolina	FWD	2972	122	166	09.90-12.96	■	
3.0 4WS	01/89-	Gasolina	FWD	2995	121	165	09.90-	■	
3.0 4WS	01/89-	Gasolina	FWD	2995	165	224	09.90-	■	
3.0 4WS	01/89-	Gasolina	FWD	2995	223	304	09.90-	■	
<b>MITSUBISHI</b>									
<b>3000 GT (Z1_A) 06.89-08.00</b>					<b>Coupe (Grand Tourer-S Segment)</b>				
3.0		Gasolina	FWD	2972	162	220	09.95-08.99	■	
3.0		Gasolina	FWD	2972	164	223	04.90-12.99	■	
3.0 (6G72 (DOHC 24V))		Gasolina	FWD	2972	165	224	12.90-05.93	■	
3.0 (Z15A) (6G72 (DOHC 24V))		Gasolina	FWD	2972	166	226	09.90-12.99	■	
3.0 Turbo 4WD (Z16A) (6G72 (DOHC 24V))	-12/98	Gasolina	4WD	2972	210	286	01.90-08.99	■	
3.0		Gasolina	FWD	2972	239	325	09.93-08.99	■	
<b>DEBONAIR III (S2_A) 09.92-10.97</b>					<b>Saloon (Luxury car-F Segment)</b>				
3.0 (S22A)		Gasolina	FWD	2972	125	170	09.92-10.97	■	
3.5 (S27A)		Gasolina	FWD	3497	191	260	09.92-10.97	■	
<b>DELICA / SPACE GEAR 01.94-01.07</b>					<b>Bus (Minibus-M2-Segment)</b>				
PD51	01/95-	Gasolina	FWD				01.94-	■	
2.4 A las 4 ruedas (PD4W) (4G64 (16V))		Gasolina	4WD	2351	97	132	05.95-05.00	■	
2.5 (4D56-TD)		Diesel	RWD	2477	73	99	05.95-05.00	■	
2.5 (PD5W) (4D56-TD)		Diesel	4WD	2477	73	99	05.95-05.00	■	
2.8 D 4WD (PD8W, PE8W) (4M40-T)		Diesel	4WD	2835	103	140	01.94-12.06	■	
<b>DIAMANTE (F_W) 06.92-03.99</b>					<b>Estate (Luxury car-F Segment)</b>				
3.0 (F36W) (6G72 (SOHC 24V))		Gasolina	FWD	2972	140	190	10.97-12.01	■	
3.5		Gasolina	FWD	3497	157	214	06.92-03.98	■	
3.5		Gasolina	FWD	3497	157	214	06.92-03.98	■	
3.5 (KE8H, KF8H)		Gasolina	FWD	3497	163	222	04.96-03.99	■	
<b>DIAMANTE (F2_A, F1_A) 02.90-07.96</b>					<b>Saloon (Luxury car-F Segment)</b>				
2.5 (F13A, F15A)		Gasolina	FWD	2497	129	175	05.90-07.96	■	
3.0 (F17A) (6G72 (DOHC 24V))		Gasolina	FWD	2972	151	205	10.92-07.96	■	
3.0		Gasolina	FWD	2972	177	241	10.95-07.96	■	
3.5		Gasolina	FWD	3497	157	214	10.95-07.96	■	
<b>DIAMANTE II (F4_A, F3_A) 11.94-11.05</b>					<b>Saloon (Luxury car-F Segment)</b>				
2.5 (F31A) (6G73)		Gasolina	FWD	2497	147	200	09.99-08.04	■	
2.5 (F34A)	-12/04	Gasolina	FWD	2498	125	170	09.03-11.05	■	
2.5 (F34A) (6A13)	-12/04	Gasolina	FWD	2498	151	205	09.03-11.05	■	
3.0 (F36A)		Gasolina	FWD	2972	140	190	06.99-09.02	■	
3.0 (F36A)		Gasolina	FWD	2972	177	241	10.01-08.04	■	
3.0 4WD (F46A)		Gasolina	4WD	2972	177	241	10.01-08.04	■	
3.5	-12/04	Gasolina	FWD	3497	157	214	10.02-11.05	■	
3.5 (KJ9H, KL9H, KW9H)	-12/04	Gasolina	FWD	3497	157	214	10.02-11.05	■	
3.5		Gasolina	FWD	3497	163	222	06.99-09.02	■	
3.5		Gasolina	FWD	3497	163	222	06.99-09.02	■	
<b>ECLIPSE I (D2_A) 12.89-12.95</b>					<b>Coupe (Executive car-E Segment)</b>				
2.0 i 16V 4WD (D22A, D27A) (4G63 (DOHC 16V))		Gasolina	4WD	1997	110	150	04.91-11.95	■	
<b>ECLIPSE II (D3_A) 04.94-04.99</b>					<b>Coupe (Executive car-E Segment)</b>				
2.0 Turbo 4WD (D33A) (4G63-T (DOHC 16V))		Gasolina	4WD	1997	157	214	12.95-04.99	■	

# LISTA DE APLICACIONES - BUYERS GUIDE

<b>FTO (DE_A) 09.94-07.01</b>						<b>Coupe (Sports car-S Segment)</b>			
2.0 2D	01/94-	Gasolina	FWD	1995			09.94-	■	
2.0 (DE3A) (6A12 (MIVEC))		Gasolina	FWD	1999	147	200	09.94-07.01	■	
<b>GALANT VI (E3_A) 11.87-03.93</b>						<b>Saloon (Compact car-C Segment)</b>			
2.0 (E39A, E38A, E33A) (4G63 (SOHC 8V))	01/90-	Gasolina	FWD	1997	80	109	11.87-10.92	■	
2.0 4WD (E39A, E38A, E33A) (4G63 (SOHC 8V))	01/90-	Gasolina	4WD	1997	80	109	12.88-10.92	■	
2.0 GTi 16V (E39A, E38A, E33A) (4G63 (DOHC 16V))	01/88-	Gasolina	FWD	1997	106	144	11.87-10.92	■	
2.0 GTi 16V 4WD (E39A, E38A, E33A) (4G63 (DOHC 16V))	01/90-	Gasolina	4WD	1997	106	144	06.88-10.92	■	
2.0 GTi 16V (E39A, E38A, E33A) (4G63 (DOHC 16V))	01/90-	Gasolina	FWD	1997	107	145	11.88-10.92	■	
2.0 GTi 16V Cat 4WD (E38A, E39A, E33A) (4G63 (DOHC 16V))		Gasolina	4WD	1997	110	150	09.91-10.92	■	
2.0 I VR4 Turbo		Gasolina	FWD	1997	148	201	10.90-03.93	■	
<b>GALANT VI / ETERNA (E3_A) 11.88-12.92</b>						<b>Hatchback (Compact car-C Segment)</b>			
2.0 (E39A, E38A, E33A) (4G63 (SOHC 8V))	01/90-	Gasolina	FWD	1997	80	109	04.89-10.92	■	
2.0 4WD (E33A, E38A, E39A) (4G63 (SOHC 8V))	01/90-	Gasolina	4WD	1997	80	109	04.89-10.92	■	
2.0 GTi 16V (E39A, E38A, E33A) (4G63 (DOHC 16V))	-12/90	Gasolina	FWD	1997	106	144	11.88-10.92	■	
2.0 GTi 16V 4x4 (E38A, E39A, E33A) (4G63 (DOHC 16V))	01/90-	Gasolina	4WD	1997	106	144	07.89-12.92	■	
2.0 GTi 16V (E39A, E38A, E33A) (4G63 (DOHC 16V))	01/90-	Gasolina	FWD	1997	107	146	11.88-10.92	■	
<b>GALANT VII (E5_A, E7_A, E8_A) 11.92-10.96</b>						<b>Hatchback (Compact car-C Segment)</b>			
2.5 (E88A) (6G73)		Gasolina	FWD	2497	125	170	11.92-09.96	■	
2.5 V6-24 4WD (E88A) (6G73)		Gasolina	4WD	2497	125	170	11.92-08.96	■	
<b>GALANT VII (E5_A, E7_A, E8_A) 06.92-12.98</b>						<b>Saloon (Compact car-C Segment)</b>			
2.5 V6-24 4WD (E88A) (6G73)		Gasolina	4WD	2497	125	170	11.92-08.96	■	
<b>GALANT VIII / ASPIRE (EA_) 09.96-10.04</b>						<b>Saloon (Executive car-E Segment)</b>			
2.0 (EA2A) (4G63 (SOHC 16V))		Gasolina	FWD	1997	100	136	09.96-09.00	■	
2.4 GDI (EA3A) (4G64 (GDI))		Gasolina	FWD	2351	110	150	02.99-09.00	■	
2.5 V6 24V (EA5A) (6A13)	Rim 15	Gasolina	FWD	2498	120	163	09.96-09.00	■	
2.5 Type S (EC5A) (6A13)		Gasolina	FWD	2498	151	205	10.99-10.04	■	
2.5 V6 24V (EC5A) (6A13TT)		Gasolina	4WD	2498	206	280	09.96-10.02	■	
2.0 TDI (EA6A) (4D68 T)		Diesel	FWD	1998	66	90	09.96-10.04	■	
<b>GALANT VIII / LEGNUM (EA_, EC_) 09.96-10.03</b>						<b>Estate (Executive car-E Segment)</b>			
2.0 (EA2W) (4G63 (SOHC 16V))	sports chassis	Gasolina	FWD	1997	98	133	09.00-10.03	■	
2.0 (EA2W) (4G63 (SOHC 16V))	sports chassis	Gasolina	FWD	1997	100	136	09.96-09.00	■	
2.4 GDI (EA3W) (4G64 (GDI))		Gasolina	FWD	2351	106	144	09.00-10.03	■	
2.4 GDI (EA3W) (4G64 (GDI))		Gasolina	FWD	2351	110	150	02.99-10.03	■	
2.5 V6 24V (EA5W) (6A13)		Gasolina	FWD	2498	118	160	09.00-10.03	■	
2.5 V6 24V (EA5W) (6A13)		Gasolina	FWD	2498	120	163	09.96-09.00	■	
2.5 V6 24V (EC5W) (6A13TT)		Gasolina	4WD	2498	206	280	09.96-12.02	■	
2.0 TDI (EA6W) (4D68 T)	12/97-, -03/00	Diesel	FWD	1998	66	90	09.96-10.03	■	
<b>GALLOPER (JK-01) 09.98-12.03</b>						<b>Closed Off-Road Vehicle (Compact SUV-J Segment)</b>			
2.5 TD (D4BF)	Rim 15, Europe	Diesel	4WD	2476	65	88	09.98-12.03	■	
2.5 TD intercooler (D4BH)	Rim 15, Europe	Diesel	4WD	2476	73	99	09.98-12.03	■	
<b>GRANDIS / SPACE WAGON (N9_, N8_) 11.97-05.03</b>						<b>MPV (Large MPV-M1 Segment)</b>			
2.4 GDi GLX (N84W)		Gasolina	FWD	2351	108	147	08.00-05.03	■	

# LISTA DE APLICACIONES - BUYERS GUIDE

2.4 GDi GLX 4WD (N94W)		Gasolina	4WD	2351	108	147	08.00-05.03	■	
2.4 GDi GLX (N84W)		Gasolina	FWD	2351	110	150	11.97-07.00	■	
2.4 GDi GLX 4WD (N94W)		Gasolina	4WD	2351	110	150	11.97-07.00	■	
<b>L200 II / COLT-RODEO / MIGHTY MAX / TRITON (K3_T, K2_T, K1_T, K0_T) 01.83-06.99</b>							<b>Pickup (Pick-Up Truck)</b>		
2.4 4WD (4G64 (8V))		Gasolina	4WD	2351	91	124	11.86-05.92	■	
2.6 4WD (K33T) (G54B)		Gasolina	4WD	2555	76	103	11.89-05.95	■	
2.6 4WD (K33T)	01/95-	Gasolina	4WD	2555	107	145	06.92-08.96	■	
3.0 (6G72 (SOHC 12V))	01/95-	Gasolina	RWD	2972	109	148	06.92-08.96	■	
3.0 4WD		Gasolina	4WD	2972	130	177	12.94-02.99	■	
2.5 D (K14T) (4D56 (8V))		Diesel	RWD	2476	51	70	11.86-10.96	■	
2.5 D 4WD (K24T) (4D56 (8V))		Diesel	4WD	2476	51	70	12.87-05.93	■	
2.5 D 4WD (K24T)		Diesel	4WD	2477	54	73	10.94-05.96	■	
2.5 D (K14T)		Diesel	RWD	2477	55	75	10.86-10.96	■	
2.5 TD (K14T)		Diesel	RWD	2477	62	84	09.90-10.96	■	
2.5 TD 4WD (K34T) (4D56-T)	01/95-	Diesel	4WD	2477	64	87	11.92-08.96	■	
2.8 D	01/95-	Diesel	RWD	2835	99	135	06.92-08.96	■	
<b>L200 III / COLT-RODEO / STRADA / TRITON (K7_T, K6_T, K5_T) 01.96-12.11</b>							<b>Pickup (Pick-Up Truck)</b>		
2.4 4WD (K75T) (4G64 (16V))	01/99-, vehicles without ABS	Gasolina	4WD	2351	97	132	06.96-12.07	■	
2.4 i		Gasolina	RWD	2351	97	132	10.96-12.06	■	
3.0 4WD (K76T) (6G72 (SOHC 24V))	Eq.V_ M-LINE, for ABS, vehicles with ABS	Gasolina	4WD	2972	108	147	08.01-11.05	■	
3.0 i (K66T) (6G72 (SOHC 24V))		Gasolina	RWD	2972	133	181	06.96-08.06	■	
3.0 i 4WD (K76T) (6G72 (SOHC 24V))		Gasolina	4WD	2972	133	181	06.96-08.06	■	
2.5 TD		Diesel	RWD	2477	73	99	07.97-01.01	■	
2.5 TD 4WD (K74T) (4D56-TD)	-12/01, vehicles with ABS	Diesel	4WD	2477	73	99	06.96-12.07	■	
2.5 TDiC (4D56-T)	vehicles with ABS	Diesel	4WD	2477	74	101	08.01-09.05	■	
2.5 TD 4WD (K74T) (4D56-T)	vehicles with ABS	Diesel	4WD	2477	85	115	09.01-12.07	■	
2.5 TD 4WD (K74T) (4D56-T)	vehicles with ABS, Europe	Diesel	4WD	2477	98	133	08.01-12.07	■	
2.8 D 4WD (K77T)	-12/01	Diesel	4WD	2835	103	140	09.96-07.03	■	
<b>L200 III / COLT-RODEO / STRADA / TRITON (K6_T, K7_T) 01.96-12.06</b>							<b>Platform/Chassis (LCVs-N1 Segment)</b>		
2.4 i (K65T)	vehicles with ABS	Gasolina	RWD	2351	97	132	10.96-12.06	■	
3.0 (K66T)	vehicles with ABS	Gasolina	RWD	2972	133	181	08.00-12.06	■	
3.0 4WD (K76T)	vehicles with ABS	Gasolina	4WD	2972	133	181	10.96-12.06	■	
2.8 D (K67T)	vehicles with ABS	Diesel	RWD	2835	71	97	10.96-09.00	■	
2.8 D 4WD (K77T)	vehicles with ABS	Diesel	4WD	2835	71	97	10.96-03.03	■	
2.8 TD 4WD (K77T)	vehicles with ABS	Diesel	4WD	2835	92	125	04.03-12.06	■	
<b>L400 (PD_W, PC_W, PB_V, PA_W, PA_V) 12.94-04.07</b>							<b>Van (LCVs-N1 Segment)</b>		
1.6		Gasolina	FWD	1597	51	69	06.96-10.02	■	
2.0 (PA3W) (4G63 (SOHC 16V))		Gasolina	RWD	1997	83	113	12.94-10.02	■	
2.0 (4G63 (SOHC 16V))		Gasolina	RWD	1997	85	116	06.96-03.01	■	
2.4 (PA4W) (4G64 (16V))		Gasolina	RWD	2351	97	132	06.96-02.06	■	
2500 TD (PD5W, PD5V, PA5W, PA5V) (4D56-T)		Diesel	RWD	2477	64	87	09.96-06.05	■	
2500 TD 4WD (PD5W, PD5V, PA5W, PA5V) (4D56-T)		Diesel	4WD	2477	64	87	09.96-06.05	■	
<b>L400 / SPACE GEAR (PD_W, PC_W, PA_V, PB_V, PA_W) 06.94-04.07</b>							<b>Bus (Minibus-M2-Segment)</b>		
2.0 (PA3W) (4G63 (SOHC 16V))	vehicles with ABS	Gasolina	RWD	1997	83	113	09.95-10.02	■	
2.0 16V (PA3V/W, PB3V, PA3W) (4G63 (SOHC 16V))	Eq.V_ SIZE UP, vehicles without ABS	Gasolina	RWD	1997	85	115	05.95-05.00	■	
2.4 (PA4W) (4G64 (16V))		Gasolina	RWD	2351	94	128	09.96-06.05	■	
2.4 4WD (PD4W) (4G64 (16V))		Gasolina	4WD	2351	94	128	09.96-06.05	■	
2.4 (PA4W) (4G64 (16V))		Gasolina	RWD	2351	97	132	05.95-10.02	■	

# LISTA DE APLICACIONES - BUYERS GUIDE

2.4 i 4WD (PD4V/W) (4G64 (16V))		Gasolina	4WD	2351	97	132	05.95-05.00	■	
2500 TD (PA5W) (4D56-T)		Diesel	RWD	2477	64	87	05.95-06.05	■	
2.5 TD (PA5V/W, PB5V) (4D56-TD)		Diesel	RWD	2477	73	99	05.95-05.00	■	
2.5 TD 4WD (PD5V/W) (4D56-TD)		Diesel	4WD	2477	73	99	05.95-05.00	■	
<b>LANCER III / LIBERO (CB_A, CD_A, CE_A) 07.91-12.96</b>					<b>Saloon (Supermini car-B Segment)</b>				
EVO I (CD9A) (4G63 TURBO)	Europe	Gasolina	4WD	1997	184	250	10.92-12.93	■	
EVO II (CE9A) (4G63 TURBO)		Gasolina	4WD	1997	192	261	01.94-07.95	■	
EVO III (CE9A) (4G63 TURBO)		Gasolina	4WD	1997	198	269	08.95-07.96	■	
<b>LANCER III-IV (CJ_, CP_, CK_) 09.95-12.03</b>					<b>Saloon (Compact car-C Segment)</b>				
1.8 16V (4G93T)		Gasolina	FWD	1834	151	205	09.95-08.03	■	
EVO VI (CP9A) (4G63 TURBO)		Gasolina	4WD	1997	206	280	01.99-02.01	■	
<b>LANCER III-IV / LIBERO Station Wagon (CB_W, CD_W) 09.92-10.03</b>					<b>Estate (Compact car-C Segment)</b>				
1.3 16V		Gasolina	FWD	1298	55	75	09.97-10.99	■	
<b>LANCER IV / CEDIA (CS_A, CT_A) 01.00-12.13</b>					<b>Saloon (Compact car-C Segment)</b>				
EVO VIII - 260 (CT9A) (4G63 TURBO)		Gasolina	4WD	1997	195	265	03.04-07.05	■	
2.0 i (4B11)		Gasolina	FWD	1998	113	154	10.07-12.13	■	
<b>LANCER V EX / GALANT FORTIS / LANCER SERIE R / LANCER FORTIS (CY_A, CZ_A) 03.07-</b>					<b>Saloon (Compact car-C Segment)</b>				
2.0 (4B11)		Gasolina	FWD	1998	108	147	01.09-	■	
2.0 i (CY4A) (4B11)		Gasolina	FWD	1998	113	154	04.07-	■	
2.0 i 4WD (CZ4A) (4B11)		Gasolina	4WD	1998	113	154	03.07-	■	
2.0 i Ralliart 4WD (CY4A) (4B11-T/C)	-09/11, Europe	Gasolina	4WD	1998	177	241	10.08-	■	
2.0 EVO X		Gasolina	4WD	1998	296	402	06.09-	■	
<b>LANCER V EX Sportback / GALANT FORTIS Sportback (CX_A) 10.07-</b>					<b>Hatchback (Compact car-C Segment)</b>				
2.0 i		Gasolina	FWD	1998	113	154	10.07-	■	
2.0 Ralliart 4WD (CX4A) (4B11-T/C)		Gasolina	4WD	1998	177	241	10.08-	■	
2.0 Ralliart		Gasolina	FWD	1998	184	250	08.11-	■	
<b>MAGNA II (TR) 03.91-02.94</b>					<b>Estate (Executive car-E Segment)</b>				
3.0 i		Gasolina	FWD	2972	120	163	03.91-02.94	■	
<b>MAGNA II (TS) 02.94-04.96</b>					<b>Saloon (Executive car-E Segment)</b>				
2.5		Gasolina	FWD	2497	129	175	02.94-04.94	■	
<b>MAGNA III (TE) 04.96-06.97</b>					<b>Estate (Executive car-E Segment)</b>				
2.4	vehicles with ABS	Gasolina	FWD	2351	105	143	04.96-06.97	■	
3.0 i (6G72 (SOHC 24V))	vehicles with ABS	Gasolina	FWD	2972	140	190	04.96-06.97	■	
3.5	vehicles with ABS	Gasolina	FWD	3497	143	194	06.03-07.05	■	
3.5	vehicles with ABS	Gasolina	FWD	3497	147	200	03.99-08.00	■	
3.5 i	vehicles with ABS	Gasolina	FWD	3497	155	211	08.00-05.03	■	
3.5 i 4WD	vehicles with ABS	Gasolina	4WD	3497	155	211	08.00-05.03	■	
3.5 i Sports VR-X	vehicles with ABS	Gasolina	FWD	3497	163	222	08.00-05.03	■	
<b>MAGNA III (TE) 04.96-06.97</b>					<b>Saloon (Executive car-E Segment)</b>				
3.0 i	vehicles with ABS	Gasolina	FWD	2972	140	190	04.96-06.97	■	
3.0	vehicles with ABS	Gasolina	FWD	2972	150	204	08.00-05.03	■	
3.5 i	vehicles with ABS	Gasolina	FWD	3497	147	200	03.99-08.00	■	
3.5 i	vehicles with ABS	Gasolina	FWD	3497	154	209	08.00-05.03	■	
3.5 i	vehicles with ABS	Gasolina	FWD	3497	155	211	08.00-05.03	■	
3.5 i	vehicles with ABS	Gasolina	FWD	3497	159	216	06.03-07.05	■	
3.5 Series II Sports VR-X	vehicles with ABS	Gasolina	FWD	3497	163	222	08.02-05.03	■	
3.5 i Series II Raliant	vehicles with ABS	Gasolina	FWD	3497	180	245	08.02-05.03	■	

# LISTA DE APLICACIONES - BUYERS GUIDE

<b>NIMBUS 01.84-</b>					<b>Bus (Minibus-M2-Segment)</b>			
2.4 UG	01/98-	Gasolina	FWD	2395			01.84-	■
<b>OUTLANDER II (CW_W) 11.06-12.12</b>					<b>SUV Van (Compact SUV-J Segment)</b>			
Di-D 4WD (CW8W)	01/07-	Diesel	4WD	1968	103	140	12.06-06.10	■
Di-D 4WD (CW1W)		Diesel	4WD	2268	130	177	09.10-12.12	■
<b>OUTLANDER II (CW_W) 09.05-12.12</b>					<b>SUV (Compact SUV-J Segment)</b>			
2.0 (CW4W) (4B11)		Gasolina	FWD	1998	108	147	11.06-11.12	■
2.0 4WD (4B11)		Gasolina	4WD	1998	108	147	11.06-11.12	■
2.0		Gasolina	FWD	1998	118	160	06.09-11.12	■
2.4 (CW5W) (4B12)		Gasolina	FWD	2360	125	170	11.06-11.12	■
2.4 4WD (CW5W) (4B12)		Gasolina	4WD	2360	125	170	09.07-11.12	■
3.0		Gasolina	FWD	2998	162	220	11.06-11.12	■
3.0 4WD (CW6W) (6B31)		Gasolina	4WD	2998	162	220	11.06-11.12	■
3.0		Gasolina	FWD	2998	164	223	11.06-12.09	■
3.0 AWD (6B31)		Gasolina	4WD	2998	164	223	11.06-12.13	■
3.0 4WD (CW6W) (6B31)		Gasolina	4WD	2998	169	230	09.10-12.12	■
3.0		Gasolina	FWD	2998	172	234	09.09-12.12	■
3.0 AWD		Gasolina	4WD	2998	172	234	09.09-11.12	■
3.0		Gasolina	FWD	2998	177	241	10.09-11.12	■
2.4 Flex 4WD (4B12)		Gasol./Etanol	4WD	2360	125	170	09.07-11.12	■
2.0 DI-D (CW8W) (BSY)		Diesel	4WD	1968	103	140	02.07-11.12	■
2.2 DI-D 4WD (4HK)		Diesel	4WD	2179	115	156	08.07-11.12	■
2.2 DI-D 4WD (4HN)		Diesel	4WD	2179	115	156	08.07-11.12	■
2.2 DI-D 4WD (4N14)		Diesel	4WD	2268	103	140	09.10-11.12	■
2.2 DI-D (4N14)		Diesel	FWD	2268	130	177	11.06-11.12	■
2.2 DI-D 4WD (4N14)		Diesel	4WD	2268	130	177	11.06-11.12	■
<b>OUTLANDER II (CW_W) 12.06-11.12</b>					<b>Van (Compact SUV-J Segment)</b>			
2.0 DI-D	01/07-	Diesel	RWD	1968	103	140	12.06-11.12	■
2.2 DI-D		Diesel	RWD	2268	130	177	09.10-11.12	■
<b>OUTLANDER / AIRTREK (CU_W) 03.01-07.08</b>					<b>SUV (Compact SUV-J Segment)</b>			
2.0 4WD (CU2W)		Gasolina	4WD	1997	93	126	05.03-10.06	■
2.0 (CU2W) (4G63 (DOHC 16V))		Gasolina	FWD	1997	100	136	05.03-10.06	■
2.0 4WD (CU2W) (4G63 (DOHC 16V))		Gasolina	4WD	1997	100	136	05.03-10.06	■
2.0 Turbo 4WD (CU2W) (4G63-T (DOHC 16V))		Gasolina	4WD	1997	148	201	04.04-10.06	■
2.0 Turbo-R 4WD (CU2W) (4G63 TURBO)		Gasolina	4WD	1997	177	241	01.02-10.06	■
2.4 4WD (CU4W) (4G64 (16V))		Gasolina	4WD	2351	102	139	05.03-10.06	■
2.4 GDI		Gasolina	FWD	2351	121	165	08.03-10.04	■
2.4 GDI		Gasolina	FWD	2351	121	165	01.05-12.06	■
2.4 4WD (CU5W) (4G69)		Gasolina	4WD	2378	118	160	11.03-09.07	■
2.4 HDD Mivec (CU5W) (4G69)		Gasolina	FWD	2378	118	160	03.01-12.06	■
2.4 4WD (CU5W) (4G69)		Gasolina	4WD	2378	119	162	05.03-09.07	■
2.4		Gasolina	FWD	2378	121	165	10.05-12.06	■
<b>OUTLANDER III / PHEV III (GF_W, GG_W) 11.10-</b>					<b>SUV Van (Compact SUV-J Segment)</b>			
Di-D 4WD (GF6W)	Europe	Diesel	4WD	2268	110	150	04.13-	■
<b>OUTLANDER III / PHEV III (GG_W, GF_W, ZJ, ZL, ZK) 11.10-</b>					<b>SUV (Compact SUV-J Segment)</b>			
2.0 (4B11)	Europe	Gasolina	FWD	1998	105	143	10.12-12.22	■
2.0	Europe	Gasolina	FWD	1998	106	144	10.12-	■
2.0 (GF2W) (4B11)	Europe	Gasolina	FWD	1998	107	146	10.12-12.22	■

# LISTA DE APLICACIONES - BUYERS GUIDE

2.0 4WD (GF7W, GF2W) (4B11)	Europe	Gasolina	4WD	1998	107	146	10.12-12.22	■	
2.0 (GF7W) (4J11)	Europe	Gasolina	FWD	1998	110	150	08.12-12.22	■	
2.0 4WD (GF7W) (4J11)	Europe	Gasolina	4WD	1998	110	150	08.12-12.22	■	
2.0 (GF7W) (4J11)	Europe	Gasolina	FWD	1998	112	152	04.13-12.22	■	
2.0 (GF7W)	Europe	Gasolina	FWD	1998	118	160	03.13-12.18	■	
2.4 4WD (4B12)	Europe	Gasolina	4WD	2360	123	167	10.12-12.22	■	
2.4 4WD (GF8W) (4B12)	Europe	Gasolina	4WD	2360	124	169	10.12-12.22	■	
2.4 4WD (GF8W) (4J12)	Europe	Gasolina	4WD	2360	124	169	10.12-12.22	■	
3.0 4WD (6B31)	Europe	Gasolina	4WD	2998	169	230	03.14-12.22	■	
2.0 BiFuel		Gasol./Gas (LPG)	FWD	1998	107	146	10.12-12.22	■	
2.0 Bifuel 4WD		Gasol./Gas (LPG)	4WD	1998	107	146	10.12-12.22	■	
2.0 Hybrid 4WD (GG2W) (4B11)	Europe	Gasol./eléc.	4WD	1998	89	121	12.12-	■	
2.0 Hybrid 4WD (GG2W) (S61)	Europe	Gasol./eléc.	4WD	1998	89	121	12.12-	■	
2.0 Hybrid 4WD (GG2W) (Y61)	Europe	Gasol./eléc.	4WD	1998	89	121	12.12-	■	
2.0 Hybrid 4WD (GG2W) (4B11)	Europe	Gasol./eléc.	4WD	1998	139	189	12.12-	■	
2.0 Hybrid 4WD (GG2W) (S61)	Europe	Gasol./eléc.	4WD	1998	139	189	12.12-	■	
2.0 Hybrid 4WD (GG2W) (Y61)	Europe	Gasol./eléc.	4WD	1998	139	189	12.12-	■	
2.0 Hybrid 4WD (GG2W) (4B11)	Europe	Gasol./eléc.	4WD	1998	147	200	01.14-12.21	■	
2.0 Hybrid 4WD (GG2W) (S61)	Europe	Gasol./eléc.	4WD	1998	147	200	01.14-12.21	■	
2.0 Hybrid 4WD (GG2W) (Y61)	Europe	Gasol./eléc.	4WD	1998	147	200	01.14-12.21	■	
Plug-in Hybrid (GG2W)		Gasol./eléc.	4WD	1998	147	200	09.17-12.21	■	
2.4 Hybrid 4WD (GG3W) (4B12)	Europe	Gasol./eléc.	4WD	2360	153	208	09.18-12.22	■	
2.2 DI-D (GF6W) (4N14)	Europe	Diesel	FWD	2268	110	150	08.12-12.22	■	
2.2 DI-D 4WD (GF6W) (4N14)	Europe	Diesel	4WD	2268	110	150	08.12-12.22	■	
2.2 DI-D 4WD (4N14)	Europe	Diesel	4WD	2268	121	165	06.15-12.18	■	
2.2 DiD 4WD (4N14)		Diesel	4WD	2268	132	179	05.15-12.22	■	
<b>OUTLANDER III / PHEV III (GF_W, GG_W) 04.13-</b>					<b>Van (Compact SUV-J Segment)</b>				
2.2 DI-D	Europe	Diesel	RWD	2268	110	150	04.13-	■	
<b>PAJERO II / MONTERO / PAJERO SFX / SHOGUN (V3_W, V2_W, V4_W, V5_W) 12.90-05.01</b>					<b>Closed Off-Road Vehicle (Executive SUV-J Segment)</b>				
1.8 GDi 4WD		Gasolina	4WD	1834	96	131	11.97-08.99	■	
2.4 (V21W) (4G64 (12V))	Europe	Gasolina	4WD	2351	82	112	04.91-10.99	■	
2.6 4WD (4G54)		Gasolina	4WD	2555	76	103	03.91-10.97	■	
2.6 4WD (V21W, V32W)		Gasolina	4WD	2555	79	107	05.91-10.93	■	
3.0 V6 4WD (V23W, V43W) (6G72 (SOHC 12V))	Europe	Gasolina	4WD	2972	110	150	12.90-12.97	■	
3.0 4WD (6G72 (SOHC 24V))	Europe	Gasolina	4WD	2972	130	177	11.97-04.00	■	
3.0 V6 24V (V43W, V23W) (6G72 (SOHC 24V))	Europe	Gasolina	4WD	2972	130	177	06.97-10.99	■	
3.0 V6 24V (V43W, V23W) (6G72 (SOHC 24V))	Europe	Gasolina	4WD	2972	133	181	06.94-05.97	■	
3.5 V6 24V (V45W, V25W) (6G74 (DOHC 24V))	Europe	Gasolina	4WD	3497	143	194	07.97-10.99	■	
3.5 V6 24V (V45W, V25W) (6G74 (SOHC 24V))	Europe	Gasolina	4WD	3497	143	194	07.97-10.99	■	
3.5 V6 24V (V25W, V45W) (6G74 (DOHC 24V))	Europe	Gasolina	4WD	3497	153	208	06.94-10.99	■	
2.5 TD 4WD (V24W) (4D56-TD)	Europe	Diesel	4WD	2477	73	99	12.90-10.99	■	
2.5 TDiC (V44W, V24W) (4D56-T)	Europe	Diesel	4WD	2477	73	99	03.91-08.99	■	
2.8 TDiC 4WD (V46W, V26W, V36W)		Diesel	4WD	2835	71	97	11.93-07.97	■	
2.8 TD (V46W, V26W) (4M40-T)	Europe	Diesel	4WD	2835	92	125	06.94-10.99	■	

# LISTA DE APLICACIONES - BUYERS GUIDE

2.8 D (V46W, V26W) (4M40-T)	Europe	Diesel	4WD	2835	103	140	11.93-10.99	■
<b>PAJERO II / MONTERO / SHOGUN (V2_C, V4_C) 12.90-04.00</b>					<b>Open Off-Road Vehicle (Executive SUV-J Segment)</b>			
1.8 GDI		Gasolina	4WD	1834	96	131	06.98-04.00	■
2.4 (V21C) (4G64 (12V))		Gasolina	4WD	2351	82	112	04.91-04.00	■
3.0 V6 (V23C) (6G72 (SOHC 12V))	Europe	Gasolina	4WD	2972	110	150	12.90-12.95	■
3.0 V6 24V (V23C) (6G72 (SOHC 24V))		Gasolina	4WD	2972	130	177	06.94-04.00	■
3.0 V6 24V (V23C) (6G72 (SOHC 24V))	Europe	Gasolina	4WD	2972	133	181	06.94-04.00	■
2.5 TD 4WD (V24C) (4D56-TD)	Europe	Diesel	4WD	2477	73	99	12.90-04.00	■
2.5 TDiC (V24W, V24C)	Europe	Diesel	4WD	2477	73	99	03.91-08.99	■
<b>PAJERO II CLASSIC / MONTERO CLASSIC / SHOGUN CLASSIC (V2_W, V6_W, V7_W) 07.01-</b>					<b>Closed Off-Road Vehicle (Luxury Crossover SUV-J Segment)</b>			
2.5 TD (V24W) (4D56-T)		Diesel	4WD	2477	85	115	07.01-	■
2.8 TD		Diesel	RWD	2835	80	109	06.02-	■
2.8 TD		Diesel	RWD	2835	87	118	06.02-	■
<b>PAJERO SPORT / G-WAGON / MONTERO SPORT / CHALLENGER (K7_, K9_) 07.96-</b>					<b>Closed Off-Road Vehicle (Executive SUV-J Segment)</b>			
1.8 4WD (K90W) (4G93 (SOHC 16V))		Gasolina	4WD	1834	84	114	03.01-02.05	■
1.8 GDI		Gasolina	FWD	1834	88	120	05.99-02.01	■
2.0 GDI		Gasolina	FWD	1999	95	129	10.01-02.05	■
3.0 V6 4WD (K96W) (6G72 (SOHC 24V))		Gasolina	4WD	2972	123	167	03.03-	■
3.0 V6 (K96W) (6G72 (DOHC 24V))	Rim 15, Europe	Gasolina	4WD	2972	125	170	06.00-	■
3.0 V6 (K96W) (6G72 (SOHC 24V))	Rim 15, Europe	Gasolina	4WD	2972	125	170	06.00-	■
3.0 V6 (K96W) (6G72 (SOHC 24V))		Gasolina	4WD	2972	130	177	11.98-10.00	■
3.0 4WD	01/98-	Gasolina	FWD	2995			07.96-	■
3.5 (6G74 (SOHC 24V))		Gasolina	RWD	3497	147	200	09.98-12.04	■
2.5 TD (K94W) (4D56-T)	Rim 15, Europe	Diesel	4WD	2477	73	99	11.98-	■
2.5 TD 4WD (K94W) (4D56-T)		Diesel	4WD	2477	83	112	11.97-10.98	■
2.5 TD (K94W, K74T) (4D56-T)	Rim 15, Europe	Diesel	4WD	2477	85	115	07.02-	■
2.5 TD (K94W) (4D56-T)	Rim 15, Europe	Diesel	4WD	2477	98	133	08.03-	■
2.5 TDiC 4x4 (4D56 (8V))		Diesel	4WD	2477	100	136	01.08-12.12	■
2.5 TD		Diesel	4WD	2477	110	150	01.10-12.11	■
2.5 D 15"	01/98-	Diesel	RWD	2495	73	99	07.96-	■
2.5 D 15"	01/97-	Diesel	RWD	2495	82	112	07.96-	■
2.8 TDi		Diesel	RWD	2835	87	118	11.98-	■
2.8 TDi (K77T) (4M40-T)		Diesel	4WD	2835	92	125	11.98-10.03	■
3.2 TDi		Diesel	RWD	3200	121	165	11.98-	■
<b>PAJERO SPORT / SHOGUN SPORT (K90) 12.99-01.08</b>					<b>Van (LCVs-N1 Segment)</b>			
3.0 V6 (6G72 (SOHC 24V))		Gasolina	4WD	2972	125	170	12.99-01.08	■
2.5 TD (4D56-T)		Diesel	4WD	2477	85	115	12.99-01.08	■
<b>SIGMA (F2_A, F1_A) 10.90-07.96</b>					<b>Saloon (Compact car-C Segment)</b>			
3.0 V6 (F17A) (6G72 (SOHC 12V))		Gasolina	FWD	2972	130	177	12.90-07.96	■
3.0 V6 (F17A) (6G72 (DOHC 24V))		Gasolina	FWD	2972	151	205	12.90-07.96	■
<b>SIGMA Station Wagon (F0_W) 06.92-10.96</b>					<b>Estate (Compact car-C Segment)</b>			
3.0 (F07W) (6G72 (SOHC 12V))		Gasolina	FWD	2972	125	170	06.92-10.96	■
<b>SPACCE RUNNER / RVR II (N6_W, N7_W) 11.97-01.03</b>					<b>MPV (Mini MPV-M1 Segment)</b>			
2.0 (N63W) (4G63 (SOHC 16V))		Gasolina	FWD	1997	98	133	05.00-08.02	■
2.0 (N63W) (4G63 (SOHC 16V))	-04/00	Gasolina	FWD	1997	100	136	08.99-08.02	■
2.4 GDI (N64W) (4G64 (GDI))	-04/00	Gasolina	FWD	2351	108	147	08.99-08.02	■
2.4 GDI (N64W) (4G64 (GDI))	-04/00	Gasolina	FWD	2351	110	150	08.99-01.03	■

# LISTA DE APLICACIONES - BUYERS GUIDE

<b>SPACE WAGON III / NIMBUS (N9_W, N8_W) 07.98-12.04</b>					<b>MPV (Compact MPV-M1 Segment)</b>			
2.0 (N83W) (4G63 (SOHC 16V))		Gasolina	FWD	1997	80	109	12.98-06.02	■
2.0 (4G63 (SOHC 16V))		Gasolina	FWD	1997	98	133	10.98-12.04	■
2.4 GDI (N84W) (4G64 (GDI))		Gasolina	FWD	2351	108	147	09.00-12.04	■
2.4 GDI 4WD (N94W) (4G64 (GDI))		Gasolina	4WD	2351	108	147	09.00-12.04	■
2.4 GDI (N84W) (4G64 (GDI))		Gasolina	FWD	2351	110	150	10.98-12.04	■
2.4 GDI 4WD (N94W) (4G64 (GDI))		Gasolina	4WD	2351	110	150	10.98-12.04	■
3.0 GDi		Gasolina	FWD	2972	158	215	05.00-05.03	■
2.0 GDI		Diesel	RWD	1995	79	108	07.98-	■
<b>VERADA III (KW, KL, KJ, KH, KF, KE) 04.96-03.99</b>					<b>Estate (Executive car-E Segment)</b>			
3.5 i	vehicles with ABS	Gasolina	FWD	3497	155	211	08.00-03.03	■
3.5 i Series II	vehicles with ABS	Gasolina	FWD	3497	155	211	06.03-09.04	■
<b>VERADA III (KL) 06.03-10.04</b>					<b>Saloon (Executive car-E Segment)</b>			
3.5	vehicles with ABS	Gasolina	FWD	3497	154	209	06.03-10.04	■
3.5	vehicles with ABS	Gasolina	FWD	3497	154	209	10.04-07.05	■
3.5		Gasolina	FWD	3497	155	211	06.03-10.04	■
3.5 Series II	vehicles with ABS	Gasolina	FWD	3497	155	211	10.04-07.05	■
3.5 i (6G74 (SOHC 24V))		Gasolina	FWD	3497	163	222	06.03-10.04	■
<b>MITSUBISHI (BBDC)</b>								
<b>OUTLANDER (CU_W) 01.04-</b>					<b>Hatchback (Compact SUV-J Segment)</b>			
2.4		Gasolina	FWD	2378	121	162	07.06-	■
<b>PEUGEOT</b>								
<b>4007 (VU_, VV_) 02.07-03.13</b>					<b>SUV Van (Compact SUV-J Segment)</b>			
HDi 155 (VU4HNNH, VV4HK8)		Diesel	4WD	2179	115	156	02.07-03.13	■
<b>4007 (VU_, VV_) 02.07-</b>					<b>SUV (Compact SUV-J Segment)</b>			
2.0 (4B11)		Gasolina	FWD	1998	108	147	11.10-03.13	■
2.0 4x4 (4B11)		Gasolina	4WD	1998	108	147	11.10-03.13	■
2.0 HDi 140		Diesel	RWD	1995	98	134	02.07-	■
2.2 HDi (4HK (DW12ME5))		Diesel	4WD	2179	115	156	02.07-03.13	■
2.2 HDi (4HN (DW12MTED4))		Diesel	4WD	2179	115	156	02.07-03.13	■