

LISTA DE APLICACIONES - BUYERS GUIDE

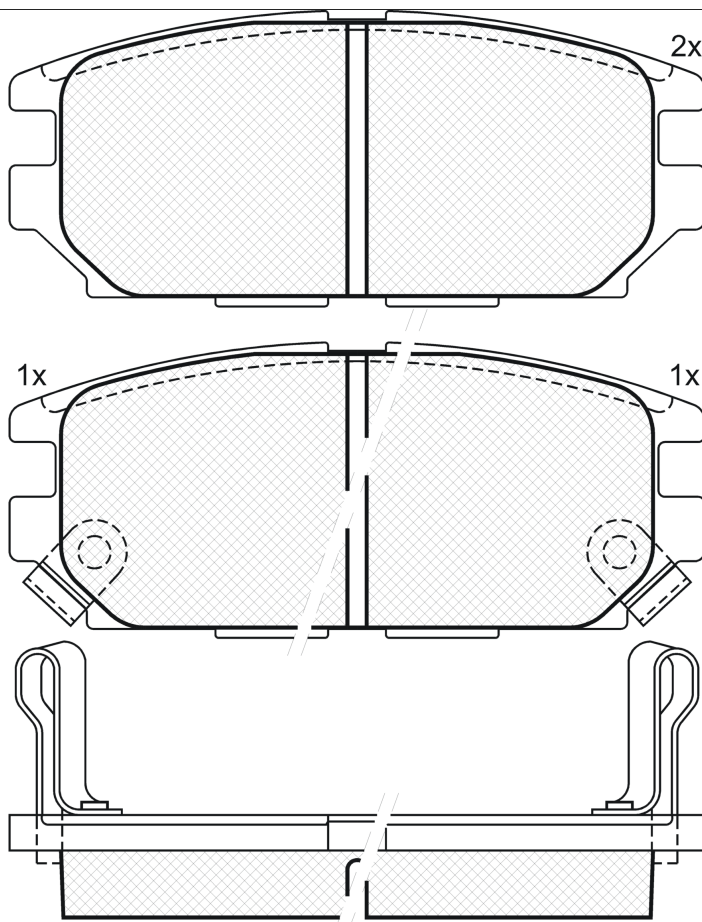
140983



Qty: 944

Weight: 1.090

| O.E.M. | MAKE |
|------------|------------|
| 4605A237 | DODGE |
| MB 857 610 | MITSUBISHI |
| MB 857 611 | MITSUBISHI |
| MB 928 067 | MITSUBISHI |
| MN 102 625 | MITSUBISHI |
| MR 129 434 | MITSUBISHI |
| MR 389 582 | MITSUBISHI |
| MR 510 925 | MITSUBISHI |



140983



90R-01110/102



Akebono

107.67x45.6x15.5

| WVA | FMSI |
|-------|-----------|
| 23373 | D532-7414 |
| 23374 | |
| 23375 | |

| MAKE |
|------------|
| DODGE |
| MITSUBISHI |



| Trac. | CC | Kw | CV |
|-------|----|----|----|
|-------|----|----|----|



Front / Rear

DODGE

| DIAMOND STAR 01.89- | | | | | | | Hatchback (Supermini car-B Segment) | | |
|---------------------|--------|----------|-----|------|-----|-----|-------------------------------------|--|---|
| 1.8 | 01/89- | Gasolina | FWD | 1795 | 68 | 92 | 01.89- | | ■ |
| 2.0 | 01/89- | Gasolina | FWD | 1995 | 110 | 149 | 01.89- | | ■ |

| STEALTH 09.90-12.96 | | | | | | | Hatchback (Compact SUV-J Segment) | | |
|---------------------|--------|----------|-----|------|-----|-----|-----------------------------------|--|---|
| 3.0 | | Gasolina | FWD | 2972 | 166 | 226 | 09.90-12.96 | | ■ |
| 3.0 AWD | | Gasolina | 4WD | 2972 | 224 | 305 | 09.90-12.94 | | ■ |
| 3.0 RT 4WS | 01/89- | Gasolina | FWD | 2995 | 121 | 165 | 09.90- | | ■ |
| 3.0 RT 4WS | 01/89- | Gasolina | FWD | 2995 | 165 | 224 | 09.90- | | ■ |
| 3.0 RT 4WS | 01/89- | Gasolina | FWD | 2995 | 223 | 304 | 09.90- | | ■ |

MITSUBISHI

| 3000 GT (Z1_A) 06.89-08.00 | | | | | | | Coupe (Grand Tourer-S Segment) | | |
|--|--------|----------|-----|------|-----|-----|--------------------------------|--|---|
| 3.0 | | Gasolina | FWD | 2972 | 162 | 220 | 09.95-08.99 | | ■ |
| 3.0 | | Gasolina | FWD | 2972 | 164 | 223 | 04.90-12.99 | | ■ |
| 3.0 Turbo 4WD (Z16A) (6G72 (DOHC 24V)) | -12/93 | Gasolina | 4WD | 2972 | 210 | 286 | 01.90-08.99 | | ■ |
| 3.0 | | Gasolina | FWD | 2972 | 239 | 325 | 09.93-08.99 | | ■ |

| 380 (DB) 04.05-09.08 | | | | | | | Saloon (Executive car-E Segment) | | |
|----------------------|--|----------|-----|------|-----|-----|----------------------------------|--|---|
| 3.8 i | | Gasolina | FWD | 3828 | 175 | 238 | 04.05-04.08 | | ■ |

| CARISMA (DA_) 09.96-06.06 | | | | | | | Saloon (Large family car-D Segment) | | |
|------------------------------------|--|----------|-----|------|-----|-----|-------------------------------------|--|---|
| 2.0 16V GT EVO VI/VII (4G63 TURBO) | | Gasolina | 4WD | 1997 | 206 | 280 | 11.99-06.06 | | ■ |

| ECLIPSE IV 04.05- | | | | | | | Convertible (Executive car-E Segment) | | |
|-------------------|--|----------|-----|------|-----|-----|---------------------------------------|--|---|
| 3.8 (6G75) | | Gasolina | FWD | 3828 | 196 | 267 | 04.05-12.08 | | ■ |

LISTA DE APLICACIONES - BUYERS GUIDE

| | | | | | | | | |
|---|--------|----------|-----|------|--|-----|-------------|---|
| ECLIPSE IV (DK_A) 04.05-12.12 | | | | | Coupe (Executive car-E Segment) | | | |
| 3.8 GT (6G75) | | Gasolina | FWD | 3828 | 192 | 261 | 04.05-12.11 | ■ |
| 3.8 (6G75) | | Gasolina | FWD | 3828 | 196 | 267 | 09.05-12.08 | ■ |
| GALANT VII (E5_A, E7_A, E8_A) 11.92-10.96 | | | | | Hatchback (Compact car-C Segment) | | | |
| 2.5 (E88A) (6G73) | | Gasolina | FWD | 2497 | 125 | 170 | 11.92-09.96 | ■ |
| 2.5 V6-24 4WD (E88A) (6G73) | | Gasolina | 4WD | 2497 | 125 | 170 | 11.92-08.96 | ■ |
| GALANT VII (E5_A, E7_A, E8_A) 06.92-12.98 | | | | | Saloon (Compact car-C Segment) | | | |
| 2.5 V6-24 4WD (E88A) (6G73) | | Gasolina | 4WD | 2497 | 125 | 170 | 11.92-08.96 | ■ |
| GALANT VIII / ASPIRE (EA_) 09.96-10.04 | | | | | Saloon (Executive car-E Segment) | | | |
| 2.5 V6 24V (EC5A) (6A13TT) | | Gasolina | 4WD | 2498 | 206 | 280 | 09.96-10.02 | ■ |
| GRANDIS / SPACE WAGON (N9_, N8_) 11.97-05.03 | | | | | MPV (Large MPV-M1 Segment) | | | |
| 2.0 | | Gasolina | FWD | 1997 | 77 | 105 | 11.97-05.03 | ■ |
| 2.4 GDi GLX (N84W) | | Gasolina | FWD | 2351 | 108 | 147 | 08.00-05.03 | ■ |
| 2.4 GDi GLX 4WD (N94W) | | Gasolina | 4WD | 2351 | 108 | 147 | 08.00-05.03 | ■ |
| 2.4 GDi GLX (N84W) | | Gasolina | FWD | 2351 | 110 | 150 | 11.97-07.00 | ■ |
| 2.4 GDi GLX 4WD (N94W) | | Gasolina | 4WD | 2351 | 110 | 150 | 11.97-07.00 | ■ |
| 3.0 GLX 4WD (N96W) | | Gasolina | 4WD | 2972 | 158 | 215 | 05.00-05.03 | ■ |
| LANCER III / LIBERO (CB_A, CD_A, CE_A) 07.91-12.96 | | | | | Saloon (Supermini car-B Segment) | | | |
| EVO I (CD9A) (4G63 TURBO) | | Gasolina | 4WD | 1997 | 184 | 250 | 10.92-12.93 | ■ |
| EVO II (CE9A) (4G63 TURBO) | | Gasolina | 4WD | 1997 | 192 | 261 | 01.94-07.95 | ■ |
| EVO III (CE9A) (4G63 TURBO) | | Gasolina | 4WD | 1997 | 198 | 269 | 08.95-07.96 | ■ |
| LANCER II-III (C6_A, C7_A) 04.88-12.97 | | | | | Saloon (Supermini car-B Segment) | | | |
| EVO IV (CN9A) (4G63 TURBO) | | Gasolina | 4WD | 1997 | 206 | 280 | 08.96-12.97 | ■ |
| LANCER III-IV (CJ_, CP_, CK_) 09.95-12.03 | | | | | Saloon (Compact car-C Segment) | | | |
| 1.8 | 01/02- | Gasolina | FWD | 1834 | 91 | 124 | 09.95-08.03 | ■ |
| 1.8 16V (4G93T) | | Gasolina | FWD | 1834 | 151 | 205 | 09.95-08.03 | ■ |
| 2.0 Evolution V, VI | 01/98- | Gasolina | FWD | 1995 | | | 09.95- | ■ |
| EVO V (CP9A) (4G63 TURBO) | | Gasolina | 4WD | 1997 | 206 | 280 | 01.98-12.98 | ■ |
| EVO VI (CP9A) (4G63 TURBO) | | Gasolina | 4WD | 1997 | 206 | 280 | 01.99-02.01 | ■ |
| 2.0 | 01/02- | Gasolina | FWD | 1999 | 92 | 125 | 09.95-08.03 | ■ |
| 2.4 GDI | 01/03- | Gasolina | FWD | 2351 | 108 | 147 | 09.95-08.03 | ■ |
| LANCER IV (CS_W, CT_W) 09.03-12.08 | | | | | Estate (Compact car-C Segment) | | | |
| 1.6 (4G18) | -12/06 | Gasolina | FWD | 1584 | 72 | 98 | 09.03-10.08 | ■ |
| 1.8 GDi T | -12/06 | Gasolina | FWD | 1834 | 121 | 165 | 09.03-10.08 | ■ |
| 2.0 (CS9W) (4G63 (DOHC 16V)) | -12/06 | Gasolina | FWD | 1997 | 99 | 135 | 09.03-12.07 | ■ |
| 2.0 | -12/06 | Gasolina | FWD | 1999 | 92 | 125 | 08.05-10.08 | ■ |
| 2.4 GDI | -12/06 | Gasolina | FWD | 2350 | 98 | 133 | 09.03-10.08 | ■ |
| LANCER IV / CEDIA (CS_A, CT_A) 01.00-12.13 | | | | | Saloon (Compact car-C Segment) | | | |
| 1.3 (4G13 (16V)) | -12/06 | Gasolina | FWD | 1299 | 60 | 82 | 09.03-12.13 | ■ |
| 1.6 (CS3A) (4G18) | -12/06 | Gasolina | FWD | 1584 | 72 | 98 | 09.03-12.13 | ■ |
| 1.8 | -12/06 | Gasolina | FWD | 1834 | 88 | 121 | 09.03- | ■ |
| 1.8 SEi Limited | -12/06 | Gasolina | FWD | 1834 | 91 | 124 | 09.03-03.07 | ■ |
| 2.0 | -12/06 | Gasolina | FWD | 1997 | 85 | 116 | 09.03- | ■ |
| 2.0 (CS9A) (4G63 (DOHC 16V)) | -12/06 | Gasolina | FWD | 1997 | 99 | 135 | 12.03-12.13 | ■ |
| EVO VII (CT9A) (4G63 TURBO) | | Gasolina | 4WD | 1997 | 206 | 280 | 01.01-01.03 | ■ |
| EVO VIII (CT9A) (4G63 TURBO) | | Gasolina | 4WD | 1997 | 206 | 280 | 04.03-03.05 | ■ |
| EVO IX (CT9A) (4G63 TURBO) | | Gasolina | 4WD | 1997 | 213 | 290 | 08.05-09.06 | ■ |

LISTA DE APLICACIONES - BUYERS GUIDE

| | | | | | | | | | |
|--|--------|----------|-----|------|-----|-----|---|---|--|
| 2.0 | | Gasolina | FWD | 1999 | 85 | 116 | 08.03-04.06 | ■ | |
| 2.0 (CS6A) (4G94) | -12/06 | Gasolina | FWD | 1999 | 92 | 125 | 08.03-12.13 | ■ | |
| 2.0 GDi (CS6A) (4G94 (GDI)) | -12/06 | Gasolina | FWD | 1999 | 92 | 125 | 09.03-12.13 | ■ | |
| 2.4 | -12/06 | Gasolina | FWD | 2350 | 108 | 147 | 09.03- | ■ | |
| 2.4 iVRX | -12/06 | Gasolina | FWD | 2378 | 115 | 156 | 08.05- | ■ | |
| LANCER CARGO IV (CS_W, CS_V) 01.03-06.08 | | | | | | | Estate Van (Compact car-C Segment) | | |
| 1.6 (CS3W) (4G18) | -12/06 | Gasolina | FWD | 1584 | 72 | 98 | 09.03-06.08 | ■ | |
| MAGNA II (TS) 02.94-04.96 | | | | | | | Saloon (Executive car-E Segment) | | |
| 2.5 | | Gasolina | FWD | 2497 | 129 | 175 | 02.94-04.94 | ■ | |
| PROUDIA/DIGNITY (S4_A, S3_A) 10.99-05.01 | | | | | | | Saloon (Luxury car-F Segment) | | |
| 3.5 (S32A) (6G74 (DOHC 24V)) | | Gasolina | FWD | 3497 | 177 | 241 | 10.99-05.01 | ■ | |
| 4.5 (S33A, S43A) (8A80) | | Gasolina | FWD | 4498 | 206 | 280 | 10.99-05.01 | ■ | |
| SIGMA Station Wagon (F0_W) 06.92-10.96 | | | | | | | Estate (Compact car-C Segment) | | |
| 3.0 (F07W) (6G72 (SOHC 12V)) | | Gasolina | FWD | 2972 | 125 | 170 | 06.92-10.96 | ■ | |
| SPACE WAGON III / NIMBUS (N9_W, N8_W) 07.98-12.04 | | | | | | | MPV (Compact MPV-M1 Segment) | | |
| 2.0 (N83W) (4G63 (SOHC 16V)) | | Gasolina | FWD | 1997 | 80 | 109 | 12.98-06.02 | ■ | |
| 2.0 (4G63 (SOHC 16V)) | | Gasolina | FWD | 1997 | 98 | 133 | 10.98-12.04 | ■ | |
| 2.4 GDI (N84W) (4G64 (GDI)) | -12/03 | Gasolina | FWD | 2351 | 108 | 147 | 09.00-12.04 | ■ | |
| 2.4 GDI 4WD (N94W) (4G64 (GDI)) | -12/03 | Gasolina | 4WD | 2351 | 108 | 147 | 09.00-12.04 | ■ | |
| 2.4 GDI (N84W) (4G64 (GDI)) | -12/03 | Gasolina | FWD | 2351 | 110 | 150 | 10.98-12.04 | ■ | |
| 2.4 GDI 4WD (N94W) (4G64 (GDI)) | -12/03 | Gasolina | 4WD | 2351 | 110 | 150 | 10.98-12.04 | ■ | |
| 3.0 GDi | | Gasolina | FWD | 2972 | 158 | 215 | 05.00-05.03 | ■ | |
| 2.0 GDI | 01/98- | Diesel | RWD | 1995 | 79 | 108 | 07.98- | ■ | |