

LISTA DE APLICACIONES - BUYERS GUIDE

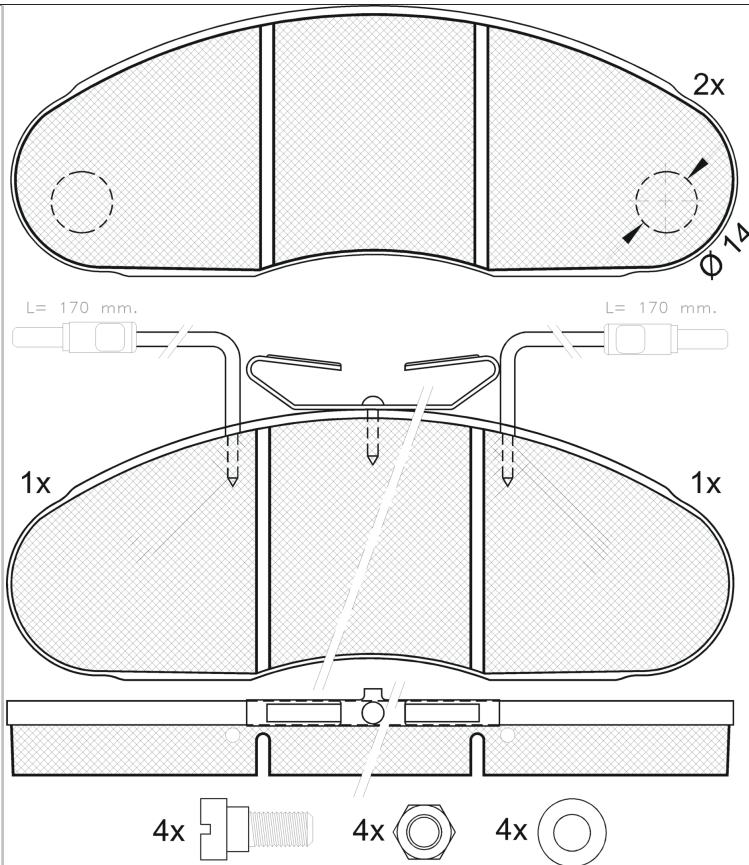
140994



8 424073 016225

Qty: 639

Weight: 2.419



140994



Bendix

166.7x62.1x17

WVA

20984
20985
29071
29984
29985

MAKE

NISSAN
RENAULT
RENAULT TRUCKS



Trac.	CC	Kw	CV
-------	----	----	----



Front / Rear

NISSAN

							Platform/Chassis (LCVs-N1 Segment)		
ATLAS (F23, H41, H42) 07.92-06.07									
2.4	01/98-	Gasolina	FWD	2389	91	124	10.95-10.04	■	
2.7 TDiC	01/98-	Diesel	RWD	2664	92	125	07.96-10.04	■	
CABSTAR E 10.98-10.06							Platform/Chassis		
75.28 (LD23)	-12/02	Diesel		2283	55	74	10.98-10.06	■	
90.32 (TD27T)		Diesel		2663	66	89	10.98-10.06	■	
105.35, 110.35 (BD-30TI)		Diesel		2953	78	106	10.98-10.06	■	
110.45 (BD-30TI)		Diesel		2953	78	106	10.98-10.06	■	
120.35, 125.35 (BD-30TI)		Diesel		2953	88	119	10.98-10.06	■	
120.45 (BD-30TI)		Diesel		2953	88	119	10.98-10.06	■	
ECO-T 01.97-12.00							Platform/Chassis		
100.35 (BD30TI)		Diesel		2953	80	109	01.97-12.00	■	
100.35 (BD-30TI)		Diesel		2953	80	109	01.97-12.00	■	
L Series 01.95-12.00							Platform/Chassis		
35.085 (BD30II)		Diesel		2953	63	86	01.95-12.00	■	
TRADE 11.86-06.94							Platform/Chassis (LCVs-N1 Segment)		
2.0 D (LD20)		Diesel	RWD	1952	44	60	11.86-03.93	■	
3.0 D (BD30II)		Diesel	RWD	2953	63	86	04.93-10.98	■	
3.0 D (BD30II)	01/98-	Diesel	RWD	2953	63	86	01.94-12.98	■	
3.0 D (BD-30TI)	01/98-	Diesel	RWD	2953	78	106	01.96-12.98	■	
TRADE 11.86-03.93							Van (LCVs-N1 Segment)		
2.0 D (LD20)		Diesel	RWD	1952	44	60	11.86-03.93	■	

LISTA DE APLICACIONES - BUYERS GUIDE

75 (LD23)	01/98-	Diesel	RWD	2283	55	75	05.97-12.00	■
3.0 D (BD30II)		Diesel	RWD	2953	63	86	04.93-10.98	■
100 (BD-30TI)	01/98-	Diesel	RWD	2953	78	106	01.96-12.98	■
RENAULT								
MASTER (T_) 08.80-07.98						Bus (Minibus-M2-Segment)		
28-35 2.1 D (J8S 330)	01/88-	Diesel	FWD	2068	44	60	08.80-07.98	■
28-35 2.4 D (8140.61.2300)	01/88-	Diesel	FWD	2445	52	71	08.80-08.89	■
28-35 2.4 D (S8U 731)	01/88-	Diesel	FWD	2445	52	71	08.80-08.89	■
2.4 D (S8U 731)	01/88-	Diesel	RWD	2445	53	72	09.86-10.89	■
MASTER (P_) 07.80-07.98						Platform/Chassis (LCVs-N1 Segment)		
2.1 D (J8S 330)	-12/89	Diesel	RWD	2068	46	63	11.89-07.93	■
MASTER (T_) 07.80-07.98						Van (LCVs-N1 Segment)		
28-35 2.1 D (J8S 330)	01/88-	Diesel	FWD	2068	44	60	08.80-07.98	■
28-35 2.4 D (8140.61.2300)	01/88-	Diesel	FWD	2445	52	71	08.80-08.89	■
28-35 2.4 D (S8U 731)	01/88-	Diesel	FWD	2445	52	71	08.80-08.89	■
RENAULT TRUCKS								
B 01.83-06.99						Platform/Chassis (LCVs-N1 Segment)		
70 (8140.61.235)		Diesel	RWD	2445	53	72	01.83-12.90	■
B 01.83-01.92						Van (LCVs-N1 Segment)		
2.4 60.45	01/92-	Diesel	RWD	2395	55	75	01.83-	■
70 (8140.61.235)		Diesel	RWD	2445	53	72	01.83-12.90	■
MESSENGER 09.96-06.99						Dump Truck (Volquete-N2 Segment)		
B 120.35 (8140.43.2585)		Diesel	RWD	2800	90	122	09.96-06.99	■
B 120.55 (8140.43.2585)		Diesel	RWD	2800	90	122	09.96-06.99	■
B 120.65 (8140.43.2585)		Diesel	RWD	2800	90	122	09.96-06.99	■
MESSENGER 09.90-06.99						Platform/Chassis (LCVs-N1 Segment)		
B 120.35 (FN40B5) (8140.47.2530 IDR)	01/93-	Diesel	RWD	2499	85	116	10.91-07.96	■
B 120.35 (FN40B5) (8140.47.2590)	01/93-	Diesel	RWD	2499	85	116	10.91-07.96	■
B 80.35 (FN40B5) (8140.07.2585)	01/94-	Diesel	RWD	2500	55	75	09.90-06.99	■
B 80.35 (FN40B5) (8140.67.2585)	01/94-	Diesel	RWD	2500	55	75	09.90-06.99	■
B 80.45 (FN40A5) (8140.07.2585)	01/94-	Diesel	RWD	2500	55	75	09.90-06.99	■
B 80.45 (FN40A5) (8140.67.2585)	01/94-	Diesel	RWD	2500	55	75	09.90-06.99	■
B 80.35 (FN40B5) (8140.07.2530 ID)	01/94-	Diesel	RWD	2500	56	76	09.90-06.99	■
B 80.45 (FN40A5) (8140.07.2530 ID)	01/94-	Diesel	RWD	2500	56	76	09.90-06.99	■
B 120.55 (FN60F5) (8140.47.2585)		Diesel	RWD	2500	85	116	01.94-09.96	■
B 120.65 (FN60F6) (8140.47.2585)		Diesel	RWD	2500	85	116	01.94-09.96	■
B 110.45 16V 4x4 (4x4F06)		Diesel	4WD	2800	78	106	09.96-06.99	■
B 110.45 4x4 (4x4F06) (8140.23.2565)		Diesel	4WD	2800	78	106	09.96-06.99	■
B 120.35 (FN40B7) (8140.43.2585)		Diesel	RWD	2800	90	122	09.96-06.99	■
B 120.55 (FN60F7) (8140.43.2585)		Diesel	RWD	2800	90	122	09.96-06.99	■
B 120.65 (FN60F8) (8140.43.2585)		Diesel	RWD	2800	90	122	09.96-06.99	■
MESSENGER 01.94-06.99						Truck Tractor (LCVs-N1 Segment)		
B 120.55T (FN60F5) (8140.47.2585)		Diesel	RWD	2500	85	116	01.94-09.96	■
B 120.55T (FN60F7) (8140.43.2585)		Diesel	RWD	2800	90	122	09.96-06.99	■
MESSENGER 09.90-06.99						Van (LCVs-N1 Segment)		
B 80.35 (FN40B5) (8140.07.2585)	01/94-	Diesel	RWD	2500	55	75	09.90-06.99	■
B 80.35 (FN40B5) (8140.67.2585)	01/94-	Diesel	RWD	2500	55	75	09.90-06.99	■

LISTA DE APLICACIONES - BUYERS GUIDE

B 80.45 (FN40A5) (8140.07.2585)	01/94-	Diesel	RWD	2500	55	75	09.90-06.99	■
B 80.45 (FN40A5) (8140.67.2585)	01/94-	Diesel	RWD	2500	55	75	09.90-06.99	■
B 80.35 (FN40B5) (8140.07.2530 ID)	01/94-	Diesel	RWD	2500	56	76	09.90-06.99	■
B 80.45 (FN40A5) (8140.07.2530 ID)	01/94-	Diesel	RWD	2500	56	76	09.90-06.99	■
B 120.55 (FN60F5) (8140.47.2585)		Diesel	RWD	2500	85	116	01.94-09.96	■
B 110.45		Diesel	RWD	2800	78	106	09.96-06.99	■
B 110.45 4x4 (4x4F06) (8140.23.2565)		Diesel	4WD	2800	78	106	09.96-06.99	■
B 120.35 (8140.43.2585)		Diesel	RWD	2800	90	122	09.96-06.99	■
B 120.55 (FN60F7) (8140.43.2585)		Diesel	RWD	2800	90	122	09.96-06.99	■