

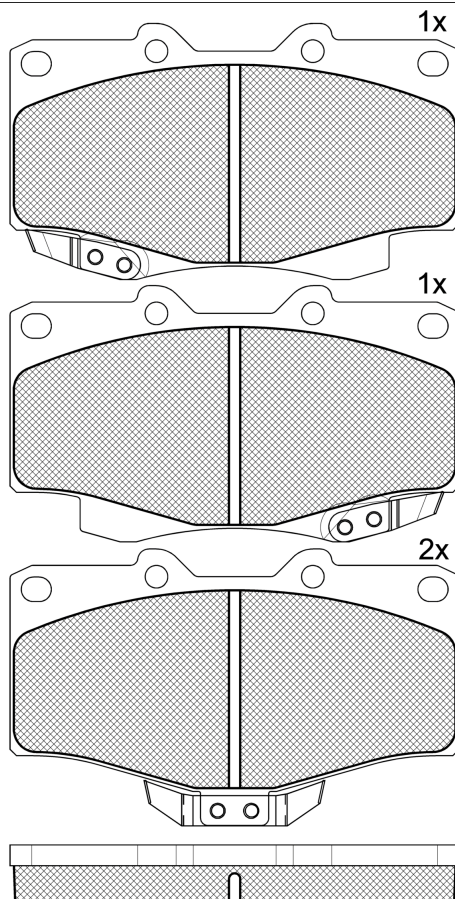
LISTA DE APLICACIONES - BUYERS GUIDE

141007



Qty: 639

Weight: 1.520



141007

E 9 90R-01109/152



Sumitomo

119.2x67.95x15

119.3x73.5x15

WVA

21679

21680

21681

21785

FMSI

D436-7298

D436-7549

MAKE

BAW

FUQI

GREAT WALL

TOYOTA

VW

O.E.M.	MAKE
04465-04050	TOYOTA
04465-33030	TOYOTA
04465-35030	TOYOTA
04465-35031	TOYOTA
04465-35040	TOYOTA
04465-35080	TOYOTA
04465-35190	TOYOTA
04465-35260	TOYOTA
04465-35280	TOYOTA
04465-60030	TOYOTA
04465-60080	TOYOTA
04465-60130	TOYOTA
04465-60260	TOYOTA
04465-YZZ57	TOYOTA
04465-YZZAF	TOYOTA
04465-YZZBD	TOYOTA
04465-YZZDH	TOYOTA
04491-35160	TOYOTA
04491-35170	TOYOTA
04491-35171	TOYOTA
04491-35190	TOYOTA
04491-35260	TOYOTA
04491-60070	TOYOTA
04491-60080	TOYOTA
04491-60090	TOYOTA



Trac.	CC	Kw	CV
-------	----	----	----



Front / Rear

BAW

YUSHENG 007 01.11-								Hatchback ()
2.0	Gasolina	FWD	1977	90	122	01.11-	■	
2.4	Gasolina	FWD	2438	105	143	01.11-	■	
2.4	Gasolina	FWD	2438	105	143	01.11-	■	
2.5 A las 4 ruedas	Diesel	RWD	2499	100	136	12.12-	■	

YUSHENG 007 01.11-								SUV ()
2.0 T (4G63-S4T)	Gasolina	RWD	1997	140	190	04.15-	■	
2.0 4WD (4G63-S4T)	Gasolina	4WD	1997	190	140	04.15-	■	

FUQI

FQ6480 02.99-								Hatchback (Compact SUV-J Segment)
4.5	Gasolina	FWD	4477	151	205	02.99-	■	

GREAT WALL

SAFE F1 04.06-04.09								SUV ()
2.2 (491Q-E)	Gasolina	RWD	2237	78	106	04.06-04.09	■	
2.2 A las 4 ruedas (491Q-E)	Gasolina	4WD	2237	78	106	04.06-04.09	■	

TOYOTA

4 RUNNER II / HILUX SURF / SURF (_N13_) 08.87-12.96								SUV (Executive SUV-J Segment)
2.7 i	Gasolina	FWD	2694	112	152	11.95-03.96	■	
3.0 EFI (VZN130_, VZN130G, VZN130R) (3VZ-E)	Gasolina	4WD	2959	105	143	01.90-10.95	■	
3.0 4WD (VZN130_) (3VZ-FE)	Gasolina	4WD	2959	106	144	02.90-12.96	■	
3.0 (VZN100_, VZN110_, VZN130_, VZN131_)	Gasolina	FWD	2959	112	152	08.88-10.95	■	
3.0 RWD (VZN130_) (3VZ-E)	Gasolina	RWD	2959	112	152	09.89-03.96	■	

LISTA DE APLICACIONES - BUYERS GUIDE

3.4 i		Gasolina	FWD	3378	136	185	11.95-03.96	■	
2.4 TD (LN130) (2L-T)	-12/91	Diesel	4WD	2446	66	90	08.89-11.95	■	
2.8 D 4WD (KDN170) (3L)		Diesel	4WD	2779	61	83	08.89-10.95	■	
3.0 TD (KZN130_, KZN130G, KZN130W) (1KZ-T)		Diesel	4WD	2982	92	125	10.93-03.96	■	
4RUNNER / HILUX SURF (_N5_, _N6_, _N7_) 07.84-10.89					SUV (Executive SUV-J Segment)				
2.4 4WD (RN50, RN55, RN60) (22REC)	01/89-	Gasolina	4WD	2367	82	112	08.87-07.89	■	
4RUNNER III (_N18_) 11.95-07.03					SUV (Executive SUV-J Segment)				
2.7 (RZN180) (3RZ-FE)		Gasolina	RWD	2694	112	152	11.95-07.02	■	
2.7 EFI 4WD (RZN185_) (3RZ-FE)		Gasolina	4WD	2694	112	152	11.95-08.02	■	
3.4 (VZN180) (5VZ-FE)	Rim 16	Gasolina	RWD	3378	136	185	11.95-11.02	■	
3.4 4WD (VZN185) (5VZ-FE)		Gasolina	4WD	3378	136	185	11.95-11.02	■	
3.0 TD (KZN185) (1KZ-T)		Diesel	4WD	2982	92	125	11.95-11.02	■	
3.0 TDi (KZN185, KZN185W) (1KZ-TE)		Diesel	4WD	2982	103	140	09.00-07.02	■	
HILUX IV / PICKUP (_N5_, _N6_) 11.82-11.98					Pickup (LCVs-N1 Segment)				
2.2 (YN58) (4Y)		Gasolina	RWD	2237	69	94	08.83-12.89	■	
2.2 4WD (YN67) (4Y)	01/88-, drum brak.rear axle	Gasolina	4WD	2237	69	94	11.85-12.89	■	
HiLux SUV V / HiLux SURF (_N13_) 08.88-11.98					SUV (Pick-Up Truck)				
3.0 EFI 4WD (VZN130) (3VZ-E)		Gasolina	4WD	2959	105	143	08.89-11.95	■	
3.0 EFI 4WD (VZN130) (3VZ-E)		Gasolina	4WD	2959	112	152	08.89-11.95	■	
2.4 TD (LN85, LN130)		Diesel	RWD	2446	66	90	10.91-07.97	■	
2.4 TD 4WD (LN130) (2L-T)		Diesel	4WD	2446	66	90	04.89-11.98	■	
2.4 TD 4WD (LN130) (2L-TE)		Diesel	4WD	2446	66	90	04.89-11.98	■	
2.4 TD 4WD (LN130_) (2L-T)		Diesel	4WD	2446	92	125	08.88-08.97	■	
3.0 TDiC 4WD (KZN130G, KZN130W)	-12/95	Diesel	4WD	2982	92	125	08.93-07.97	■	
HiLux SUV VI / SW4 (_N1_, _N2_) 01.95-08.05					SUV (Pick-Up Truck)				
3.4 EFI 4WD (VZN185)	-12/97	Gasolina	4WD	3378	136	185	11.95-07.00	■	
2.4 TD 4WD (LN165)		Diesel	4WD	2446	66	90	08.97-07.01	■	
2.5 D-4D 4WD (KDN165)		Diesel	4WD	2494	75	102	08.01-08.05	■	
3.0 TD 4WD (KZN205)		Diesel	4WD	2982	87	118	01.98-04.05	■	
3.0 D (LN157)		Diesel	RWD	2986	70	95	11.97-05.05	■	
3.0 D 4WD (LN157, KZN185)		Diesel	4WD	2986	70	95	11.97-05.05	■	
HILUX V (_N8_, _N9_, _N10_, _N11_) 09.88-08.01					Pickup (Pick-Up Truck)				
2.2 (YN87_, YN87R) (4Y)		Gasolina	RWD	2237	69	94	03.89-07.94	■	
2.4 (RN90, RN85)		Gasolina	RWD	2367	75	102	10.88-12.98	■	
2.4 4WD (RN110, RN105, RN106)		Gasolina	4WD	2367	75	102	10.88-08.97	■	
2.4 EFI 4WD (RN106_, RN110_, RN106R, RN110R) (22RE)	01/94-	Gasolina	4WD	2367	84	114	01.89-07.97	■	
2.4 i	01/94-	Gasolina	FWD	2383	84	114	08.91-08.97	■	
2.4 D 4WD (LN105_, LN108_, LN110_) (2L)		Diesel	4WD	2446	55	75	09.94-07.97	■	
2.4 D 4WD (LN110_, LN110R) (2L)		Diesel	4WD	2446	58	79	01.94-12.97	■	
2.4 D (LN85, LN90) (2L)		Diesel	RWD	2446	59	80	10.91-07.97	■	
2.4 D (LN85_, LN110, LN90) (2L)		Diesel	RWD	2446	61	83	09.88-08.97	■	
2.4 D 4WD (LN105, LN110) (2L)	01/89-	Diesel	4WD	2446	61	83	09.88-08.97	■	
2.4 TD (LN90)		Diesel	RWD	2446	66	90	01.92-01.99	■	
HILUX VI (_N1_) 08.94-03.06					Pickup (Pick-Up Truck)				
2.0 EFI (RZN147, RZN152) (1RZ-E)		Gasolina	RWD	1998	81	110	08.97-07.05	■	
2.4 i 4WD (RZN14_, RZN16_, RZN19_) (2RZ-FE)	-12/01	Gasolina	4WD	2438	103	140	08.97-10.05	■	
2.4 4WD (2RZ-FE)		Gasolina	4WD	2438	107	145	08.00-07.05	■	

LISTA DE APLICACIONES - BUYERS GUIDE

2.7 EFI 4WD (RZN174, RZN169) (3RZ-FE)		Gasolina	4WD	2694	108	147	11.97-04.05	■	
2.7 EFI (RZN149, RZN154)		Gasolina	RWD	2694	110	150	06.97-07.00	■	
2.7 EFI 4WD (RZN140, RZN169) (3RZ-FE)		Gasolina	4WD	2694	110	150	06.97-12.00	■	
3.4 4WD		Gasolina	4WD	3378	136	185	08.97-07.00	■	
3.4 4WD (RZN140) (5VZ-FE)		Gasolina	4WD	3378	140	190	01.95-07.05	■	
2.4 D (LN150, LN145) (2L)	-12/01	Diesel	RWD	2446	55	75	08.97-04.05	■	
2.4 TD 4WD (LN165_, LN170_, LN190_, LN165, LN165H,... (2L-T)		Diesel	4WD	2446	66	90	08.98-01.02	■	
2.5 D-4D (KDN150, KDN155, KDN190)		Diesel	RWD	2494	75	102	08.01-08.05	■	
2.5 D-4D 4WD (KDN165, KDN170, KDN190) (2KD-FTV)		Diesel	4WD	2494	75	102	11.01-07.05	■	
2.8 D 4WD (LN166) (3L)		Diesel	4WD	2779	65	88	08.97-07.05	■	
3.0 TD 4WD (KZN165)		Diesel	4WD	2982	85	116	11.01-04.05	■	
3.0 D 4WD (LN14_, LN152_, N140)		Diesel	4WD	2986	65	88	11.97-04.05	■	
3.0 D 4WD (LN172, LN167) (5L)		Diesel	4WD	2986	67	91	08.97-07.05	■	
3.0 D		Diesel	RWD	2986	70	95	11.97-05.05	■	
3.0 D 4WD		Diesel	4WD	2986	70	95	11.97-05.05	■	
LAND CRUISER (_J7_, _JL7_) 03.84-							Closed Off-Road Vehicle (Large SUV-J Segment)		
2.4 (RJ70_, RJ73_) (22R)	01/90-	Gasolina	4WD	2367	77	105	11.84-05.93	■	
2.4 (RJ70_, RJ73_, RJ70RV) (22R)	01/90-	Gasolina	4WD	2367	81	110	11.84-05.93	■	
2.4 (RJ70_V, RJ73_V) (22RE)	01/90-, drum brak.rear axle	Gasolina	4WD	2367	84	114	01.85-12.96	■	
4.5 4x4 (FZJ75, FZJ75RV) (1FZ-FE)		Gasolina	4WD	4477	158	215	08.92-11.99	■	
4.5 MPFi 4x4 (FZJ78, FZJ70, FZJ78R, FZJ79)		Gasolina	4WD	4477	165	224	08.92-06.09	■	
2.4 TD (LJ70) (2L-T)	drum brak.rear axle	Diesel	4WD	2446	66	90	01.90-05.93	■	
2.8 D 4x4 (LJ79)		Diesel	4WD	2779	61	83	04.90-03.96	■	
3.0 TD (KZJ70_, KZJ73_, KZJ77_, KZJ78_, KZJ71_) (1KZ-T)		Diesel	4WD	2982	92	125	05.93-05.96	■	
3.0 TD (KZJ70_, KZJ73_, KZJ77_, KZJ78_, KZJ71_) (1KZ-TE)		Diesel	4WD	2982	92	125	05.93-05.96	■	
3.4 D (BJ70, BJ73, BJ75) (3B)	01/90-	Diesel	4WD	3432	70	95	11.84-12.96	■	
3.5 D 4x4 (PZJ70, PZJ73, PZJ70RV)		Diesel	4WD	3470	72	98	01.90-08.91	■	
3.5 D 4x4 (PZJ75, PZJ70) (1PZ)		Diesel	4WD	3470	85	116	01.90-12.94	■	
4.0 TD 4x4 (RJ70_, LJ70_, BJ7_, HJ75_, FJ7_) (12HT)		Diesel	4WD	3980	100	136	01.97-08.01	■	
4.2 D (HZJ76, HZJ78, HZJ70, HZJ73, HZJ75, HZJ79, HZJ77,... (1H-Z)		Diesel	4WD	4164	96	131	01.90-	■	
4.2 D 4x4 (HZJ74, HZJ78, HZJ75) (1H-Z)		Diesel	4WD	4164	123	167	01.90-08.01	■	
LAND CRUISER (_J7_) 11.84-08.01							Open Off-Road Vehicle (Large SUV-J Segment)		
2.4 TD (LJ70_, LJ70R) (2L-T)	-12/94	Diesel	4WD	2446	66	90	07.90-05.96	■	
3.0 TD (KZJ70_, KZJ70R) (1KZ-T)		Diesel	4WD	2982	92	125	05.93-05.96	■	
3.5 D 4x4 (PZJ75_) (1PZ)		Diesel	4WD	3470	85	116	01.90-08.92	■	
LAND CRUISER (_J7_, _JL7_) 11.84-							Platform/Chassis (Off-Road SUV-J Segment)		
4.5 4x4 (FZJ75, FZJ75RP)		Gasolina	4WD	4477	158	215	08.92-11.99	■	
4.5 MPFi 4x4 (FZJ79, FZJ79R) (1FZ-FE)		Gasolina	4WD	4477	165	224	11.90-11.07	■	
4.2 D 4x4 (HZJ7_V, HZJ75RP, HZJ79R) (1H-Z)		Diesel	4WD	4164	96	131	01.90-	■	
LAND CRUISER 80 (_J8_) 01.90-02.01							Closed Off-Road Vehicle (Confort SUV-J Segment)		
4.5 24V (FZJ80_) (1FZ-FE)		Gasolina	4WD	4477	151	205	08.92-12.97	■	
4.5		Gasolina	FWD	4477	215	292	08.92-01.98	■	
4.5 4WD (FZJ80_) (1FZ-FE)		Gasolina	4WD	4477	215	292	08.92-01.98	■	
3.5 D (1PZ)		Diesel	4WD	3470	85	116	01.90-08.92	■	
4.2 TD (HDJ80) (1HD-T)	01/95-	Diesel	4WD	4164	118	160	08.92-12.97	■	
4.2 TD (HDJ80, HDJ81) (1HD-T)	01/95-	Diesel	4WD	4164	123	167	01.90-12.97	■	

LISTA DE APLICACIONES - BUYERS GUIDE

4.0 24V	01/05-	Gasolina	FWD	3995			01.95-	■
4.0 24V 4WD	01/05-	Gasolina	FWD	3995			09.94-	■
4.0 24V 4WD	01/05-	Gasolina	FWD	3995			01.95-	■

VW

TARO 04.89-03.97						Pickup (LCVs-N1 Segment)		
2.2 4x4 (4Y)	Germany, Germany	Gasolina	4WD	2237	69	94	06.89-07.94	■
2.4 i 4x4 (22R)		Gasolina	4WD	2366	84	114	06.89-03.97	■
2.4 D 4x4 (2L)	Germany, Germany	Diesel	4WD	2446	58	79	07.94-03.97	■
2.4 D 4x4 (2L)	Germany, Germany	Diesel	4WD	2446	61	83	04.89-03.97	■