

# LISTA DE APLICACIONES - BUYERS GUIDE

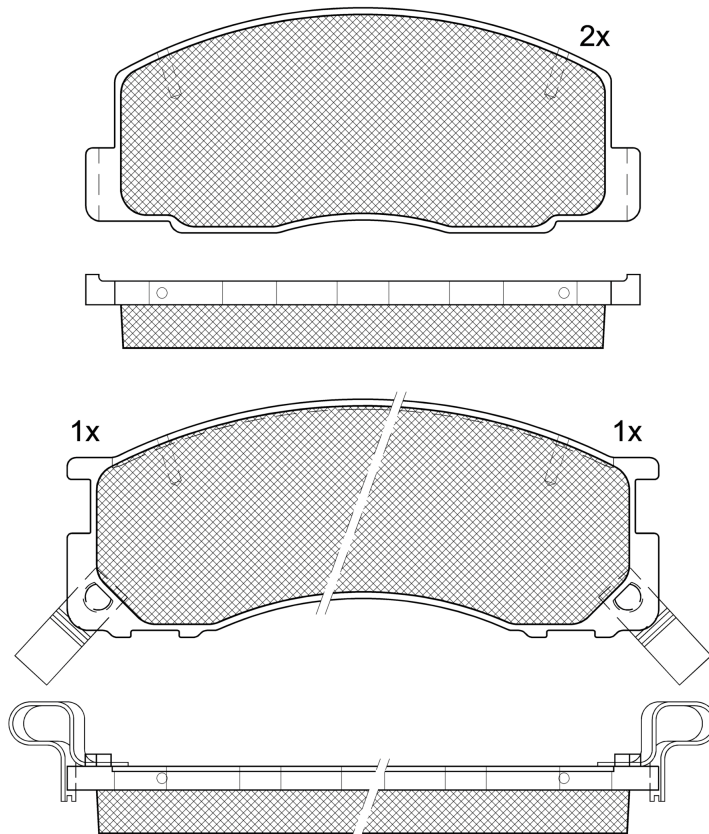
## 141057



Qty: 639

Weight: 1.475

O.E.M.	MAKE
04465-28040	TOYOTA
04465-28160	TOYOTA
04465-28170	TOYOTA
04465-28171	TOYOTA
04465-28360	TOYOTA
04465-28390	TOYOTA
04491-28171	TOYOTA
04491-28210	TOYOTA
04491-28220	TOYOTA
04491-28221	TOYOTA
04491-28281	TOYOTA
04491-28340	TOYOTA
04491-28350	TOYOTA



## 141057

**E 9** 90R-01109/1644



Akebono

128.3x52.1x15.5
136.9x55.1x15.5

WVA	FMSI
21835	D500-7380
21836	D615-7380
21837	
23015	
23016	

<b>MAKE</b>
TOYOTA



Trac.	CC	Kw	CV		
Front / Rear					

### TOYOTA

LITEACE ( _R2_ V) 01.92-01.95							Van (LCVs-N1 Segment)		
2.2 (YR29LV) (4Y-EC)		Gasolina	RWD	2237	72	98	01.92-01.95	■	
LITEACE / SPACIA ( _R2_ ) 01.92-01.98							Bus (Minibus-M2-Segment)		
1.5 (KR21LG) (5K)		Gasolina	RWD	1486	52	71	01.92-01.95	■	
2.2 (YR22LG) (4Y-EC)		Gasolina	RWD	2237	72	98	01.92-01.95	■	
2.0 D (CR21LG) (2C)		Diesel	RWD	1974	53	72	01.92-05.94	■	
2.2 D (YR29_) (3C-TE)		Diesel	RWD	2184	66	90	02.95-08.97	■	
PREVIA / ESTIMA / TARAGO ( _R1_ , _R2_ ) 01.90-08.00							MPV (Large MPV-M1 Segment)		
2.4 (TCR11_, TCR10_, TCR10R, TCR11R) (2TZ-FE)	-12/96	Gasolina	RWD	2438	97	132	05.90-08.00	■	
2.4 4WD (TCR21_, TCR20_, TCR21R, TCR20R) (2TZ-FE)	-12/96	Gasolina	4WD	2438	97	132	01.90-08.00	■	
2.4	-12/96	Gasolina	FWD	2438	110	150	05.90-12.99	■	
2.4 GX	-12/96	Gasolina	FWD	2438	110	150	01.94-07.97	■	
2.4 (TCR10_) (2TZ-FZE)		Gasolina	RWD	2438	118	160	09.93-12.97	■	
TOWN ACE II ( _R4_ , _R5_ ) 05.95-07.07							Bus (Minibus-M2-Segment)		
2.0 4WD (SR50G_, SR50G) (3S-FE)		Gasolina	4WD	1998	96	130	10.96-10.01	■	