

LISTA DE APLICACIONES - BUYERS GUIDE

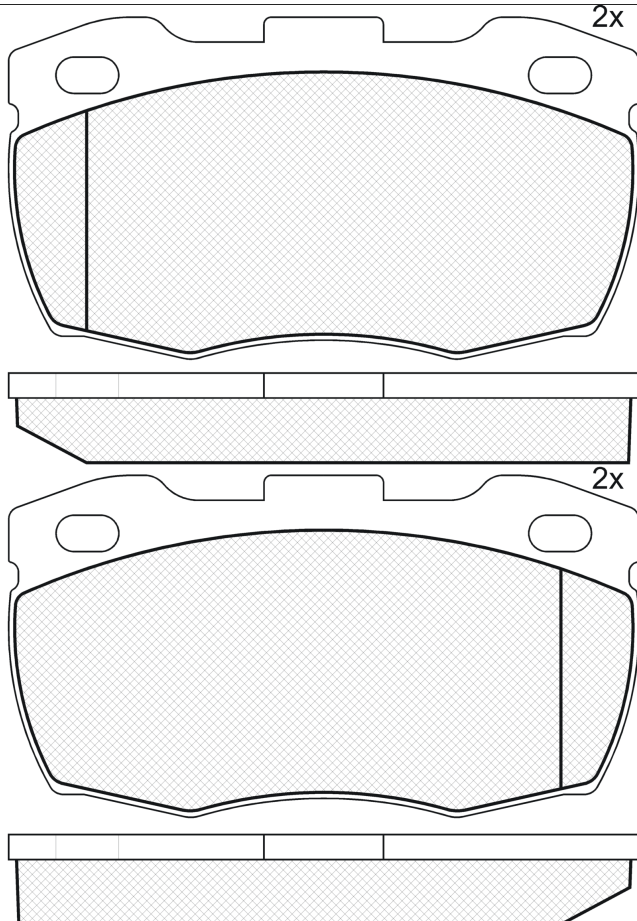
141089-071



Qty: 639

Weight: 2.175

O.E.M.	MAKE
STC-5574	LAND ROVER



141089-071



E 9 90R-01109/673

AP-Lockheed

126.5x68.6x18

WVA	FMSI
21519	D671-7552
MAKE	
DODGE	
LAND ROVER	



Trac.	CC	Kw	CV
-------	----	----	----



Front / Rear

DODGE

D200 01.90-

Pickup (Pick-Up Truck)

2.0	01/90-	Gasolina	FWD	1995			01.90-	■
2.5	01/90-	Gasolina	FWD	2495			01.90-	■

LAND ROVER

DEFENDER II (L316, L315) 05.90-10.17

Closed Off-Road Vehicle (Off-Road SUV-J Segment)

2.5 4x4 (17 H)	01/94-	Gasolina	4WD	2495	61	83	09.90-12.94	■
2.8		Gasolina	FWD	2793	140	190	11.98-09.03	■
3.5 4x4 (11 D)	01/93-	Gasolina	4WD	3528	86	117	09.90-08.93	■
3.5 4x4 (21 G)	01/93-	Gasolina	4WD	3528	86	117	09.90-08.93	■
3.5 4x4	01/94-	Gasolina	4WD	3532	100	136	09.90-12.98	■
3.9 4x4 (L316) (37 L)		Gasolina	4WD	3947	134	182	01.93-09.00	■
3.9 V8 4x4 (L316) (37 L)	-12/07	Gasolina	4WD	3947	136	185	11.98-02.16	■
2.2 Td4 4x4 (L316) (DT224)		Diesel	4WD	2198	90	122	08.11-02.16	■
2.4 Td4 4x4 (L316) (DT244)		Diesel	4WD	2402	90	122	10.06-02.16	■
2.5 D 4x4 (L316) (12 J)	01/94-	Diesel	4WD	2495	51	69	09.90-07.94	■
2.5 TDI 4x4 (L316) (11 L)	01/94-	Diesel	4WD	2495	83	113	08.90-12.98	■
2.5 TDI 4x4 (L316) (16 L)	01/94-	Diesel	4WD	2495	83	113	08.90-12.98	■
2.5 TDI 4x4 (L316) (23 L)	01/94-	Diesel	4WD	2495	83	113	08.90-12.98	■
2.5 Td5 4x4 (L316) (10 P)	-12/07	Diesel	4WD	2495	90	122	06.98-02.16	■
2.5 Td5 4x4 (L316) (14 P)	-12/07	Diesel	4WD	2495	90	122	06.98-02.16	■
2.5 Td5 4x4 (L316) (15 P)	-12/07	Diesel	4WD	2495	90	122	06.98-02.16	■

DEFENDER II (L316) 08.90-02.16

Open Off-Road Vehicle (Off-Road SUV-J Segment)

3.5 4x4	01/94-	Gasolina	4WD	3531	100	136	09.90-12.98	■
---------	--------	----------	-----	------	-----	-----	-------------	---

LISTA DE APLICACIONES - BUYERS GUIDE

3.9 4x4 (37 L)		Gasolina	4WD	3947	134	182	04.98-09.00	■	
2.2 Td4 4x4 (L317) (DT224)		Diesel	4WD	2198	90	122	08.11-02.16	■	
2.4 Td4 4x4 (L317) (DT244)		Diesel	4WD	2402	90	122	05.07-02.16	■	
2.5 D 4x4 (L316) (12 J)	01/94-	Diesel	4WD	2495	51	69	09.90-07.94	■	
2.5 TDI 4x4 (L316) (11 L)	01/94-	Diesel	4WD	2495	83	113	08.90-11.98	■	
2.5 TDI 4x4 (L316) (16 L)	01/94-	Diesel	4WD	2495	83	113	08.90-11.98	■	
2.5 TDI 4x4 (L316) (23 L)	01/94-	Diesel	4WD	2495	83	113	08.90-11.98	■	
2.5 Td5 4x4 (L316) (10 P)	-12/07	Diesel	4WD	2495	90	122	06.98-02.16	■	
2.5 Td5 4x4 (L316) (14 P)	-12/07	Diesel	4WD	2495	90	122	06.98-02.16	■	
2.5 Td5 4x4 (L316) (15 P)	-12/07	Diesel	4WD	2495	90	122	06.98-02.16	■	
DEFENDER II (L316) 01.94-10.17					Open Off-Road Vehicle (Pick-Up Truck)				
2.8		Gasolina	FWD	2793	140	190	11.98-09.03	■	
4.0 4x4 (37 L)		Gasolina	4WD	3947	134	182	04.98-09.00	■	
2.2 Td4 4x4 (L317) (DT224)		Diesel	4WD	2198	90	122	08.11-02.16	■	
2.4 Td4 4x4 (L317) (DT244)		Diesel	4WD	2402	90	122	05.07-02.16	■	
2.5 Td5 4x4 (L316) (10 P)	-12/07	Diesel	4WD	2495	90	122	06.98-02.16	■	
2.5 Td5 4x4 (L316) (15 P)	-12/07	Diesel	4WD	2495	90	122	06.98-02.16	■	