

# LISTA DE APLICACIONES - BUYERS GUIDE

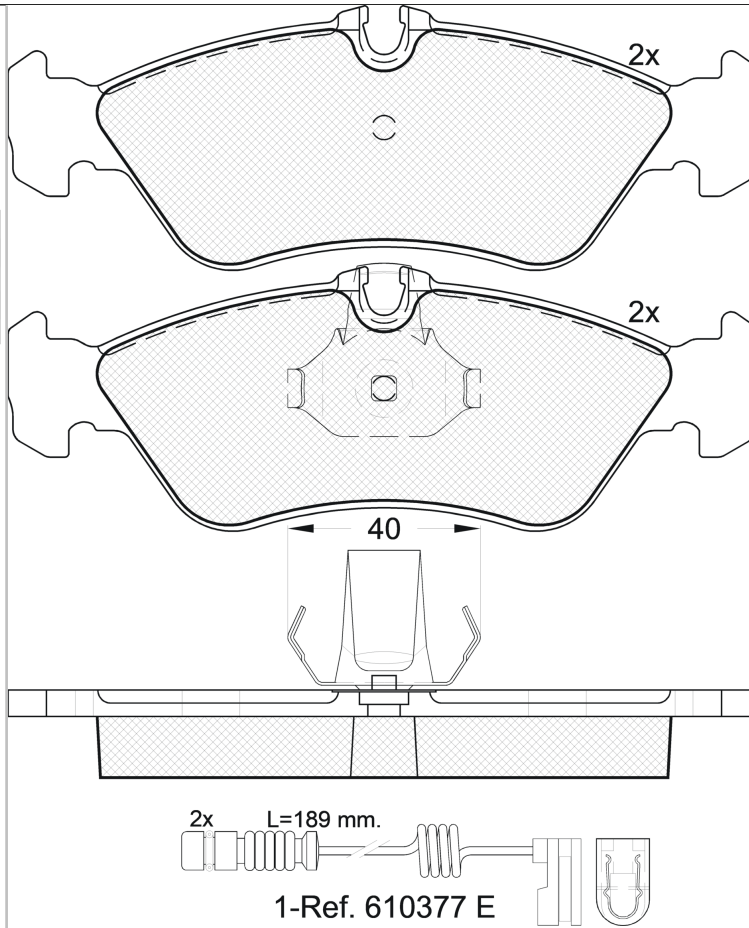
## 141103-203



Qty: 300

Weight: 1.636

O.E.M.	MAKE
002 420 40 20	MERCEDES-BENZ
002 420 60 20	MERCEDES-BENZ
004 420 27 20	MERCEDES-BENZ
05103550BB	DODGE



## 141103-203



E1 90R-01101/093

Ate - Teves

156.3x54.96x18.2

WVA	FMSI
23901	D1229-8348
23902	
MAKE	
DODGE	
MERCEDES-BENZ	



Trac.	CC	Kw	CV
-------	----	----	----



Front / Rear

### DODGE

#### SPRINTER (U.S.A.) 01.03-

2.5 2500	01/04-	Gasolina	FWD	2495			01.03-	■
----------	--------	----------	-----	------	--	--	--------	---

#### Van (LCVs-N1 Segment)

### MERCEDES-BENZ

#### G-Class (W463) 09.89-

#### Closed Off-Road Vehicle (Luxury Crossover SUV-J Segment)

300 GE (463.227, 463.228) (M 103.987)		Gasolina	4WD	2960	125	170	09.89-08.93	■
300 GE (463.227, 463.228) (M 103.987)		Gasolina	4WD	2960	128	174	06.90-08.97	■
G 320 (463.230, 463.231) (M 104.996)		Gasolina	4WD	3199	155	211	09.94-12.97	■
G 320 (463.232, 463.233, 463.244, 463.245) (M 112.945)		Gasolina	4WD	3199	158	215	07.97-08.04	■
G 36 AMG (463.230) (M 104.996 (AMG 3.6))		Gasolina	4WD	3606	200	272	01.95-07.98	■
G 500 (463.247, 463.248, 463.249, 463.240, 463.241) (M 113.962)		Gasolina	4WD	4966	218	296	04.98-12.15	■
500 GE (463.228) (M 117.965)		Gasolina	4WD	4973	177	241	09.93-12.94	■
G 55 AMG (463.243, 463.246) (M 113.982)		Gasolina	4WD	5439	260	354	04.99-07.08	■
G 55 AMG (463.270, 463.271) (M 113.993)		Gasolina	4WD	5439	350	476	06.04-07.06	■
G 55 AMG (463.270, 463.271) (M 113.993)		Gasolina	4WD	5439	368	500	08.06-12.12	■
250 GD (463.324, 463.325) (OM 602.931)		Diesel	4WD	2497	69	94	06.90-10.92	■
G 270 CDI (463.322, 463.323) (OM 612.965)		Diesel	4WD	2685	115	156	10.01-07.03	■
G 350 CDI (463.346) (OM 642.886)		Diesel	4WD	2987	155	211	07.11-08.15	■
G 320 CDI (463.343) (OM 642.970)		Diesel	4WD	2987	165	224	09.06-12.12	■
300 GD (463.327, 463.328) (OM 603.931)		Diesel	4WD	2996	83	113	09.89-08.93	■
G 300 TD (463.330, 463.331) (OM 606.964)		Diesel	4WD	2996	130	177	08.96-07.00	■
G 400 CDI (463.332, 463.333) (OM 628.962)		Diesel	4WD	3996	184	250	12.00-07.06	■

# LISTA DE APLICACIONES - BUYERS GUIDE

<b>G-Class (W463) 09.89-</b>					<b>Open Off-Road Vehicle (Luxury Crossover SUV-J Segment)</b>			
300 GE (463.207) (M 103.987)		Gasolina	4WD	2960	125	170	09.89-09.97	■
320 GE (463.208) (M 104.996)		Gasolina	4WD	3199	155	211	09.94-11.97	■
G 320 (463.209, 463.250) (M 112.945)		Gasolina	4WD	3199	158	215	11.97-08.04	■
G 500 (463) (M 113.962)		Gasolina	4WD	4966	218	296	04.98-12.15	■
G 500 (463.202) (M 273.963)		Gasolina	4WD	5461	285	388	12.09-08.14	■
G 500 (463.202) (M 273.969)		Gasolina	4WD	5461	285	388	12.09-08.14	■
G 350 CDI (463.306) (OM 642.886)		Diesel	4WD	2987	155	211	07.11-12.15	■
G 320 CDI (463.303) (OM 642.970)		Diesel	4WD	2987	165	224	09.06-12.12	■
300 GD (463.307) (OM 603.931)		Diesel	4WD	2996	83	113	09.89-08.93	■
G 300 TD (463.308) (OM 606.964)		Diesel	4WD	2996	130	177	09.96-07.00	■
G 400 CDI (463.309) (OM 628.962)		Diesel	4WD	3996	184	250	12.00-07.06	■
<b>SPRINTER CLASSIC 3,5-Ton. (B909) 09.13-</b>					<b>Van (LCVs-N1 Segment)</b>			
311 CDI (909.632, 909.633) (OM 646.701)		Diesel	RWD	2148	80	109	09.13-	■ ■
313 CDI (909.632, 909.633) (OM 646.701)		Diesel	RWD	2148	100	136	01.17-	■
<b>SPRINTER CLASSIC 4,6-Ton. (B909) 09.13-</b>					<b>Bus (Minibus-M2-Segment)</b>			
411 CDI (909.843) (OM 646.701)		Diesel	RWD	2148	80	109	09.13-	■ ■
<b>SPRINTER CLASSIC 4,6-Ton. (B909) 01.17-</b>					<b>Van (LCVs-N1 Segment)</b>			
413 CDI (909.643) (OM 646.701)		Diesel	RWD	2148	100	136	01.17-	■
<b>SPRINTER 3-Ton. (B903) 01.95-05.12</b>					<b>Bus (Minibus-M2-Segment)</b>			
314 (903.071, 903.072, 903.073, 903.671, 903.672,...) (M 111.979)		Gasolina	RWD	2295	105	143	02.95-05.06	■
314 (903.071, 903.072, 903.073, 903.671, 903.672,...) (M 111.979)	-12/03	Gasolina	RWD	2295	105	143	02.95-05.06	■
314 (903.071, 903.072, 903.073, 903.671, 903.672,...) (M 111.984)		Gasolina	RWD	2295	105	143	02.95-05.06	■
314 (903.071, 903.072, 903.073, 903.671, 903.672,...) (M 111.984)	-12/03	Gasolina	RWD	2295	105	143	02.95-05.06	■
314 4x4 (903.672, 903.673) (M 111.984)		Gasolina	4WD	2295	105	143	02.95-05.06	■
314 4x4 (903.672, 903.673) (M 111.984)	-12/03	Gasolina	4WD	2295	105	143	02.95-05.06	■
314 NGT (903.072, 903.671, 903.672) (M 111.979)		Gasol./Gas (CNG)	RWD	2295	95	129	02.95-05.06	■
314 NGT (903.072, 903.671, 903.672) (M 111.979)	-12/03	Gasol./Gas (CNG)	RWD	2295	95	129	02.95-05.06	■
314 NGT (903.072, 903.671, 903.672) (M 111.984)		Gasol./Gas (CNG)	RWD	2295	95	129	02.95-05.06	■
314 NGT (903.072, 903.671, 903.672) (M 111.984)	-12/03	Gasol./Gas (CNG)	RWD	2295	95	129	02.95-05.06	■
308 E (903.372)	-12/03	Eléctrico	RWD		40	54	01.96-05.06	■
308 CDI (903.671, 903.672, 903.673) (OM 611.987)		Diesel	RWD	2148	60	82	04.00-05.06	■
308 CDI (903.671, 903.672, 903.673) (OM 611.987)	-12/03	Diesel	RWD	2148	60	82	04.00-05.06	■
311 CDI (903.671, 903.672) (OM 611.981)		Diesel	RWD	2148	80	109	04.00-05.06	■
311 CDI (903.671, 903.672) (OM 611.981)	-12/03	Diesel	RWD	2148	80	109	04.00-05.06	■
311 CDI 4x4 (903.672, 903.673) (OM 611.981)		Diesel	4WD	2148	80	109	08.02-05.06	■
311 CDI 4x4 (903.672, 903.673) (OM 611.981)	-12/03	Diesel	4WD	2148	80	109	08.02-05.06	■
313 CDI (903.671, 903.672, 903.673) (OM 611.981)		Diesel	RWD	2148	95	129	04.00-05.06	■
313 CDI (903.671, 903.672, 903.673) (OM 611.981)	-12/03	Diesel	RWD	2148	95	129	04.00-05.06	■
313 CDI 4x4 (903.672, 903.673) (OM 611.981)		Diesel	4WD	2148	95	129	08.02-05.06	■
313 CDI 4x4 (903.672, 903.673) (OM 611.981)	-12/03	Diesel	4WD	2148	95	129	08.02-05.06	■
2.3 D		Diesel	RWD	2299	58	79	06.97-12.99	■

# LISTA DE APLICACIONES - BUYERS GUIDE

308 D (903.372, 903.373) (OM 601.943)		Diesel	RWD	2299	58	79	02.95-04.00	■	■	
308 D (903.371, 903.372, 903.373) (OM 601.943)		Diesel	RWD	2299	60	82	03.97-04.00	■	■	
316 CDI (903.671, 903.672, 903.673) (OM 612.981)		Diesel	RWD	2685	115	156	04.00-05.06	■		
316 CDI (903.671, 903.672, 903.673) (OM 612.981)	-12/03	Diesel	RWD	2685	115	156	04.00-05.06		■	
316 CDI (903.671, 903.672, 903.673) (OM 647.981)		Diesel	RWD	2685	115	156	04.00-05.06	■		
316 CDI (903.671, 903.672, 903.673) (OM 647.981)	-12/03	Diesel	RWD	2685	115	156	04.00-05.06		■	
316 CDI 4x4 (903.672, 903.673) (OM 612.981)		Diesel	4WD	2685	115	156	08.02-05.06	■		
316 CDI 4x4 (903.672, 903.673) (OM 612.981)	-12/03	Diesel	4WD	2685	115	156	08.02-05.06		■	
316 CDI 4x4 (903.672, 903.673) (OM 647.981)		Diesel	4WD	2685	115	156	08.02-05.06	■		
316 CDI 4x4 (903.672, 903.673) (OM 647.981)	-12/03	Diesel	4WD	2685	115	156	08.02-05.06		■	
310 D (903.471, 903.472, 903.473) (OM 602.980)		Diesel	RWD	2874	75	102	01.97-12.99	■	■	
310 D 4x4 (903.472, 903.473) (OM 602.980)		Diesel	4WD	2874	75	102	05.97-08.02	■	■	
312 D 2.9 (903.471, 903.472, 903.473) (OM 602.980)		Diesel	RWD	2874	90	122	02.95-04.00	■	■	
312 D 2.9 4x4 (903.473) (OM 602.980)		Diesel	4WD	2874	90	122	05.97-08.02	■	■	
<b>SPRINTER 3-Ton. (B903) 01.95-05.12</b>							<b>Platform/Chassis (LCVs-N1 Segment)</b>			
314 (903.011, 903.012, 903.013, 903.022, 903.612,... (M 111.979)		Gasolina	RWD	2295	105	143	02.95-05.06	■		
314 (903.011, 903.012, 903.013, 903.022, 903.612,... (M 111.979)	-12/03	Gasolina	RWD	2295	105	143	02.95-05.06		■	
314 (903.011, 903.012, 903.013, 903.022, 903.612,... (M 111.984)		Gasolina	RWD	2295	105	143	02.95-05.06	■		
314 (903.011, 903.012, 903.013, 903.022, 903.612,... (M 111.984)	-12/03	Gasolina	RWD	2295	105	143	02.95-05.06		■	
314 4x4 (903.612, 903.613, 903.622) (M 111.984)		Gasolina	4WD	2295	105	143	02.95-05.06	■		
314 4x4 (903.612, 903.613, 903.622) (M 111.984)	-12/03	Gasolina	4WD	2295	105	143	02.95-05.06		■	
314 NGT (903.611, 903.612, 903.613, 903.622, 903.012,... (M 111.979)		Gasol./Gas (CNG)	RWD	2295	95	129	02.95-05.06	■		
314 NGT (903.611, 903.612, 903.613, 903.622, 903.012,... (M 111.979)	-12/03	Gasol./Gas (CNG)	RWD	2295	95	129	02.95-05.06		■	
314 NGT (903.611, 903.612, 903.613, 903.622, 903.012,... (M 111.984)		Gasol./Gas (CNG)	RWD	2295	95	129	02.95-05.06	■		
314 NGT (903.611, 903.612, 903.613, 903.622, 903.012,... (M 111.984)	-12/03	Gasol./Gas (CNG)	RWD	2295	95	129	02.95-05.06		■	
308 CDI (903.611, 903.612, 903.613, 903.621, 903.622,... (OM 611.987)		Diesel	RWD	2148	60	82	04.00-05.06	■		
308 CDI (903.611, 903.612, 903.613, 903.621, 903.622,... (OM 611.987)	-12/03	Diesel	RWD	2148	60	82	04.00-05.06		■	
311 CDI (903.611, 903.612, 903.613, 903.621, 903.622,... (OM 611.981)		Diesel	RWD	2148	80	109	04.00-05.06	■		
311 CDI (903.611, 903.612, 903.613, 903.621, 903.622,... (OM 611.981)	-12/03	Diesel	RWD	2148	80	109	04.00-05.06		■	
311 CDI 4x4 (903.612, 903.613, 903.622, 903.623) (OM 611.981)		Diesel	4WD	2148	80	109	04.00-05.06	■		
311 CDI 4x4 (903.612, 903.613, 903.622, 903.623) (OM 611.981)	-12/03	Diesel	4WD	2148	80	109	04.00-05.06		■	
313 CDI (903.611, 903.612, 903.621, 903.622, 903.623,... (OM 611.981)		Diesel	RWD	2148	95	129	04.00-05.06	■		
313 CDI (903.611, 903.612, 903.621, 903.622, 903.623,... (OM 611.981)	-12/03	Diesel	RWD	2148	95	129	04.00-05.06		■	
313 CDI 4x4 (903.612, 903.613, 903.622, 903.623) (OM 611.981)		Diesel	4WD	2148	95	129	04.00-05.06	■		
313 CDI 4x4 (903.612, 903.613, 903.622, 903.623) (OM 611.981)	-12/03	Diesel	4WD	2148	95	129	04.00-05.06		■	
308 D 2.3 (903.311, 903.322) (OM 601.943)		Diesel	RWD	2299	58	79	02.95-04.00	■	■	

# LISTA DE APLICACIONES - BUYERS GUIDE

308 D 2.3 (903.311, 903.322) (OM 601.943)		Diesel	RWD	2299	60	82	11.96-04.00	■	■
316 CDI (903.611, 903.612, 903.613, 903.621, 903.622,... (OM 612.981)		Diesel	RWD	2685	115	156	04.00-05.06	■	
316 CDI (903.611, 903.612, 903.613, 903.621, 903.622,... (OM 612.981)	-12/03	Diesel	RWD	2685	115	156	04.00-05.06		■
316 CDI (903.611, 903.612, 903.613, 903.621, 903.622,... (OM 647.981)		Diesel	RWD	2685	115	156	04.00-05.06	■	
316 CDI (903.611, 903.612, 903.613, 903.621, 903.622,... (OM 647.981)	-12/03	Diesel	RWD	2685	115	156	04.00-05.06		■
316 CDI 4x4 (903.612, 903.613, 903.622, 903.623) (OM 612.981)		Diesel	4WD	2685	115	156	08.02-05.06	■	
316 CDI 4x4 (903.612, 903.613, 903.622, 903.623) (OM 612.981)	-12/03	Diesel	4WD	2685	115	156	08.02-05.06		■
316 CDI 4x4 (903.612, 903.613, 903.622, 903.623) (OM 647.981)		Diesel	4WD	2685	115	156	08.02-05.06	■	
316 CDI 4x4 (903.612, 903.613, 903.622, 903.623) (OM 647.981)	-12/03	Diesel	4WD	2685	115	156	08.02-05.06		■
310 D 2.9 (903.411, 903.412, 903.413, 903.421, 903.422,... (OM 602.980)		Diesel	RWD	2874	75	102	01.97-04.00	■	■
310 D 2.9 4x4 (903.421, 903.422, 903.423) (OM 602.980)		Diesel	4WD	2874	75	102	01.97-04.00		■
312 D 2.9 (903.411, 903.412, 903.421, 903.422, 903.423) (OM 602.980)		Diesel	RWD	2874	85	116	12.98-09.01	■	■
312 D 2.9 (903.411, 903.412, 903.421, 903.422, 903.423) (OM 602.980)		Diesel	RWD	2874	90	122	02.95-04.00	■	■
<b>SPRINTER 3-Ton. (B903) 01.95-05.12</b>					<b>Van (LCVs-N1 Segment)</b>				
314 (903.061, 903.062, 903.063, 903.661, 903.662) (M 111.979)		Gasolina	RWD	2295	105	143	02.95-05.06	■	
314 (903.061, 903.062, 903.063, 903.661, 903.662) (M 111.979)	-12/03	Gasolina	RWD	2295	105	143	02.95-05.06		■
314 (903.061, 903.062, 903.063, 903.661, 903.662) (M 111.984)		Gasolina	RWD	2295	105	143	02.95-05.06	■	
314 (903.061, 903.062, 903.063, 903.661, 903.662) (M 111.984)	-12/03	Gasolina	RWD	2295	105	143	02.95-05.06		■
314 4x4 (903.661, 903.662, 903.663) (M 111.984)		Gasolina	4WD	2295	105	143	02.95-05.06	■	
314 4x4 (903.661, 903.662, 903.663) (M 111.984)	-12/03	Gasolina	4WD	2295	105	143	02.95-05.06		■
314 NGT (903.661, 903.061, 903.062, 903.063, 903.662) (M 111.979)		Gasol./Gas (CNG)	RWD	2295	95	129	02.95-05.06	■	
314 NGT (903.661, 903.061, 903.062, 903.063, 903.662) (M 111.979)	-12/03	Gasol./Gas (CNG)	RWD	2295	95	129	02.95-05.06		■
314 NGT (903.661, 903.061, 903.062, 903.063, 903.662) (M 111.984)		Gasol./Gas (CNG)	RWD	2295	95	129	02.95-05.06	■	
314 NGT (903.661, 903.061, 903.062, 903.063, 903.662) (M 111.984)	-12/03	Gasol./Gas (CNG)	RWD	2295	95	129	02.95-05.06		■
308 CDI (903.661, 903.662, 903.663) (OM 611.987)		Diesel	RWD	2148	60	82	04.00-05.06	■	
308 CDI (903.661, 903.662, 903.663) (OM 611.987)	-12/03	Diesel	RWD	2148	60	82	04.00-05.06		■
311 CDI (903.661, 903.662, 903.663) (OM 611.981)		Diesel	RWD	2148	80	109	04.00-05.06	■	
311 CDI (903.661, 903.662, 903.663) (OM 611.981)	-12/03	Diesel	RWD	2148	80	109	04.00-05.06		■
311 CDI 4x4 (903.662, 903.663) (OM 611.981)		Diesel	4WD	2148	80	109	08.02-05.06	■	
311 CDI 4x4 (903.662, 903.663) (OM 611.981)	-12/03	Diesel	4WD	2148	80	109	08.02-05.06		■
313 CDI (903.663, 903.662, 903.661) (OM 611.981)		Diesel	RWD	2148	95	129	04.00-05.06	■	
313 CDI (903.663, 903.662, 903.661) (OM 611.981)	-12/03	Diesel	RWD	2148	95	129	04.00-05.06		■
313 CDI 4x4 (903.662, 903.663) (OM 611.981)		Diesel	4WD	2148	95	129	08.02-05.06	■	
313 CDI 4x4 (903.662, 903.663) (OM 611.981)	-12/03	Diesel	4WD	2148	95	129	08.02-05.06		■
2.3 D		Diesel	RWD	2299	58	79	06.97-12.99		■
308 D 2.3 (903.361, 903.362, 903.363) (OM 601.943)		Diesel	RWD	2299	58	79	02.95-04.00	■	■

# LISTA DE APLICACIONES - BUYERS GUIDE

308 D 2.3 (903.361) (OM 601.943)		Diesel	RWD	2299	60	82	02.95-04.00	■	■	
316 CDI (903.661, 903.662, 903.663) (OM 612.981)		Diesel	RWD	2685	115	156	04.00-05.06	■		
316 CDI (903.661, 903.662, 903.663) (OM 612.981)	-12/03	Diesel	RWD	2685	115	156	04.00-05.06		■	
316 CDI (903.661, 903.662, 903.663) (OM 647.981)		Diesel	RWD	2685	115	156	04.00-05.06	■		
316 CDI (903.661, 903.662, 903.663) (OM 647.981)	-12/03	Diesel	RWD	2685	115	156	04.00-05.06		■	
316 CDI 4x4 (903.662, 903.663) (OM 612.981)		Diesel	4WD	2685	115	156	02.01-05.06	■		
316 CDI 4x4 (903.662, 903.663) (OM 612.981)	-12/03	Diesel	4WD	2685	115	156	02.01-05.06		■	
316 CDI 4x4 (903.662, 903.663) (OM 647.981)		Diesel	4WD	2685	115	156	02.01-05.06	■		
316 CDI 4x4 (903.662, 903.663) (OM 647.981)	-12/03	Diesel	4WD	2685	115	156	02.01-05.06		■	
310 D 2.9 (903.461, 903.462, 903.463) (OM 602.980)		Diesel	RWD	2874	75	102	02.95-04.00	■		
310 D 2.9 (903.461, 903.462, 903.463) (OM 602.980)	01/97-	Diesel	RWD	2874	75	102	02.95-04.00		■	
310 D 2.9 4x4 (903.461, 903.462) (OM 602.980)		Diesel	4WD	2874	75	102	06.97-04.00	■	■	
312 D 2.9 (903.461, 903.462, 903.463) (OM 602.980)		Diesel	RWD	2874	90	122	02.95-04.00	■	■	
312 D 2.9 4x4 (903.461, 903.462) (OM 602.980)		Diesel	4WD	2874	90	122	05.97-08.02	■	■	
<b>SPRINTER 4-Ton. (B904) 02.96-05.06</b>							<b>Bus (Minibus-M2-Segment)</b>			
414 (904.662, 904.663) (M 111.979)		Gasolina	RWD	2295	105	143	02.96-05.06	■		
414 (904.662, 904.663) (M 111.984)		Gasolina	RWD	2295	105	143	02.96-05.06	■		
408 CDI (904.662, 904.663) (OM 611.987)		Diesel	RWD	2148	60	82	04.00-05.06	■		
411 CDI (904.662, 904.663) (OM 611.981)		Diesel	RWD	2148	80	109	04.00-05.06	■		
413 CDI (904.663, 904.662) (OM 611.981)		Diesel	RWD	2148	95	129	04.00-05.06	■		
416 CDI (904.662, 904.663) (OM 612.981)		Diesel	RWD	2685	115	156	04.00-05.06	■		
<b>SPRINTER 4-Ton. (B904) 02.95-05.12</b>							<b>Platform/Chassis (LCVs-N1 Segment)</b>			
414 (904.012, 904.013, 904.612, 904.613) (M 111.979)		Gasolina	RWD	2295	105	143	02.95-05.06	■		
414 (904.012, 904.013, 904.612, 904.613) (M 111.984)		Gasolina	RWD	2295	105	143	02.95-05.06	■		
414 NGT (M 111.979)		Gasol./Gas (CNG)	RWD	2295	95	129	02.95-05.06	■		
414 NGT (M 111.984)		Gasol./Gas (CNG)	RWD	2295	95	129	02.95-05.06	■		
408 CDI (904.612, 904.623, 904.622, 904.613) (OM 611.987)		Diesel	RWD	2148	60	82	04.00-05.06	■		
411 CDI (904.612, 904.623, 904.622, 904.613) (OM 611.981)		Diesel	RWD	2148	80	109	04.00-05.06	■		
413 CDI (904.612, 904.623, 904.622, 904.613) (OM 611.981)		Diesel	RWD	2148	95	129	04.00-05.06	■		
408 D (904.322, 904.312) (OM 601.943)		Diesel	RWD	2299	58	79	02.96-05.06	■		
416 CDI (OM 612.981)		Diesel	RWD	2685	115	156	04.00-05.06	■		
416 CDI (OM 647.981)		Diesel	RWD	2685	115	156	04.00-05.06	■		
410 D (904.412, 904.423, 904.422, 904.413) (OM 602.980)		Diesel	RWD	2874	75	102	02.96-05.06	■		
412 D (904.413, 904.412) (OM 602.980)		Diesel	RWD	2874	85	115	02.96-05.06	■		
412 D (904.412, 904.423, 904.413) (OM 602.980)		Diesel	RWD	2874	90	122	02.96-05.06	■		
<b>SPRINTER 4-Ton. (B904) 02.95-05.12</b>							<b>Van (LCVs-N1 Segment)</b>			
414 (904.062, 904.063, 904.662, 904.663) (M 111.979)		Gasolina	RWD	2295	105	143	02.96-05.06	■		
414 (904.062, 904.063, 904.662, 904.663) (M 111.984)		Gasolina	RWD	2295	105	143	02.96-05.06	■		
414 NGT (M 111.979)		Gasol./Gas (CNG)	RWD	2295	95	129	02.95-05.06	■		

## LISTA DE APLICACIONES - BUYERS GUIDE

414 NGT (M 111.984)	Gasol./Gas (CNG)	RWD	2295	95	129	02.95-05.06	■
408 CDI (904.663, 904.662) (OM 611.987)	Diesel	RWD	2148	60	82	04.00-05.06	■
411 CDI (904.663, 904.662) (OM 611.981)	Diesel	RWD	2148	80	109	04.00-05.06	■
413 CDI (904.663, 904.662) (OM 611.981)	Diesel	RWD	2148	95	129	04.00-05.06	■
408 D (904.362) (OM 601.943)	Diesel	RWD	2299	58	79	02.96-05.06	■
416 CDI (OM 612.981)	Diesel	RWD	2685	115	156	04.00-05.06	■
416 CDI (OM 647.981)	Diesel	RWD	2685	115	156	04.00-05.06	■
410 D (904.463, 904.462) (OM 602.980)	Diesel	RWD	2874	75	102	02.96-05.06	■
412 D (904.463, 904.462) (OM 602.980)	Diesel	RWD	2874	85	115	02.96-05.06	■
412 D (904.463, 904.462) (OM 602.980)	Diesel	RWD	2874	90	122	02.96-05.06	■