

LISTA DE APLICACIONES - BUYERS GUIDE

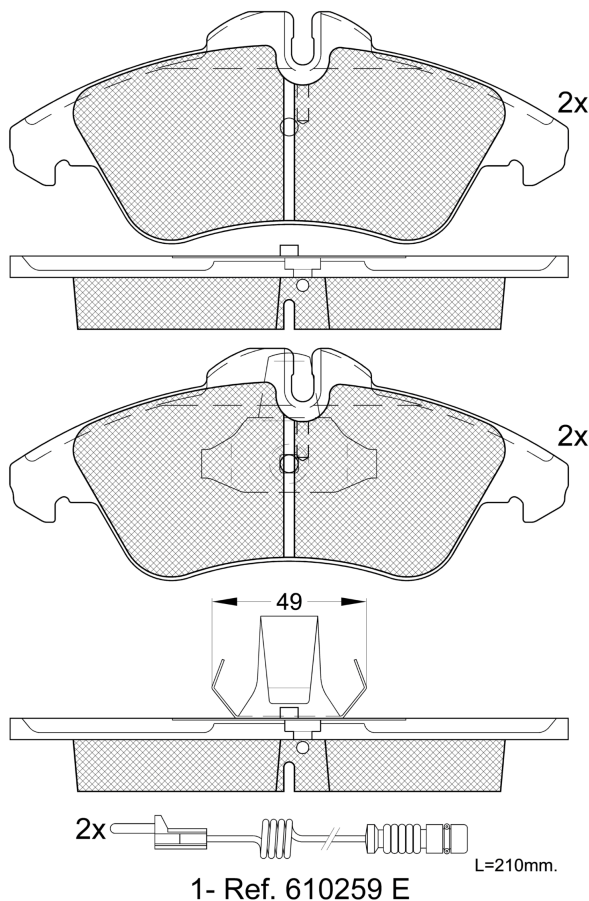
141104



Qty: 300

Weight: 1.940

O.E.M.	MAKE
002 420 39 20	MERCEDES-BENZ
002 420 99 20	MERCEDES-BENZ
004 420 55 20	MERCEDES-BENZ
008 420 42 20	MERCEDES-BENZ
05103794AA	DODGE
05135895AA	DODGE
86 60 004 624	RENAULT
86 71 016 532	RENAULT
901 421 04 10	MERCEDES-BENZ
901 421 05 10	MERCEDES-BENZ
901 421 06 10	MERCEDES-BENZ



141104

E1 90R-01101/074



Ate - Teves

156.4x64.9x141104

WVA	FMSI
21576	D950-7849
21577	D1177-8293
23990	
23991	

MAKE
DODGE
MERCEDES-BENZ



	Trac.	CC	Kw	CV			Front / Rear
--	-------	----	----	----	--	--	--------------

DODGE

SPRINTER (U.S.A.) 01.03-						Van (LCVs-N1 Segment)		
2.5 2500	01/04-	Gasolina	FWD	2495		01.03-		■
2.5 2500	01/04-	Gasolina	FWD	2495		01.03-		■
3.5 3500	01/04-	Gasolina	FWD	3495		01.03-		■

MERCEDES-BENZ

(638/2) 08.96-07.03						Van ()		
V 230 (638.234, 638.294)		Gasolina	FWD	2295	105	143	08.96-07.03	■
V 230 (638.274)		Diesel	FWD	2299	72	98	08.96-02.99	■

SPRINTER CLASSIC 3,5-Ton. (B909) 09.13-						Van (LCVs-N1 Segment)		
311 CDI (909.632, 909.633) (OM 646.701)		Diesel	RWD	2148	80	109	09.13-	■
313 CDI (909.632, 909.633) (OM 646.701)		Diesel	RWD	2148	100	136	01.17-	■

SPRINTER CLASSIC 4,6-Ton. (B909) 09.13-						Bus (Minibus-M2-Segment)		
411 CDI (909.843) (OM 646.701)		Diesel	RWD	2148	80	109	09.13-	■

SPRINTER 2-Ton. (B901, B902) 01.95-05.06						Bus (Minibus-M2-Segment)		
214 (902.071, 902.072, 902.671, 902.672) (M 111.979)	-12/03	Gasolina	RWD	2295	105	143	02.95-05.06	■
214 (902.071, 902.072, 902.671, 902.672) (M 111.984)	-12/03	Gasolina	RWD	2295	105	143	02.95-05.06	■
214 NGT (902.072, 902.671, 902.672) (M 111.979)	-12/03	Gasol./Gas (CNG)	RWD	2295	95	129	02.95-05.06	■
214 NGT (902.072, 902.671, 902.672) (M 111.984)	-12/03	Gasol./Gas (CNG)	RWD	2295	95	129	02.95-05.06	■
208 CDI (901.671, 902.671, 902.672) (OM 611.987)	-12/03	Diesel	RWD	2148	60	82	04.00-05.06	■

LISTA DE APLICACIONES - BUYERS GUIDE

211 CDI (902.671, 902.672) (OM 611.981)	-12/03	Diesel	RWD	2148	80	109	04.00-05.06	■	
213 CDI (902.671, 902.672) (OM 611.981)	-12/03	Diesel	RWD	2148	95	129	04.00-05.06	■	
208 D (901.371, 902.371, 902.372) (OM 601.943)		Diesel	RWD	2299	58	79	02.95-04.00	■	
216 CDI (902.671, 902.672) (OM 612.981)	-12/03	Diesel	RWD	2685	115	156	04.00-05.06	■	
210 D (902.471, 902.472) (OM 602.980)		Diesel	RWD	2874	75	102	03.97-04.00	■	
212 D (902.471, 902.472) (OM 602.980)		Diesel	RWD	2874	90	122	02.95-04.00	■	
SPRINTER 2-Ton. (B901, B902) 01.95-05.06							Platform/Chassis (LCVs-N1 Segment)		
214 (902.011, 902.012, 902.611, 902.612) (M 111.979)	-12/03	Gasolina	RWD	2295	105	143	02.95-05.06	■	
214 (902.011, 902.012, 902.611, 902.612) (M 111.984)	-12/03	Gasolina	RWD	2295	105	143	02.95-05.06	■	
214 NGT (902.012, 902.611, 902.612) (M 111.979)	-12/03	Gasol./Gas (CNG)	RWD	2295	95	129	02.95-05.06	■	
214 NGT (902.012, 902.611, 902.612) (M 111.984)	-12/03	Gasol./Gas (CNG)	RWD	2295	95	129	02.95-05.06	■	
208 CDI (901.611, 901.612, 901.621, 902.611, 902.612,... (OM 611.987)	-12/03	Diesel	RWD	2148	60	82	04.00-05.06	■	
211 CDI (901.621, 902.611, 902.612, 902.621, 902.622) (OM 611.981)	-12/03	Diesel	RWD	2148	80	109	04.00-05.06	■	
213 CDI (901.621, 902.611, 902.612, 902.621, 902.622) (OM 611.981)	-12/03	Diesel	RWD	2148	95	129	04.00-05.06	■	
208 D (901.311, 901.312, 901.321, 902.311, 902.312,... (OM 601.943)		Diesel	RWD	2299	58	79	01.95-04.00	■	
208 D (901.311, 901.312, 901.321, 902.311, 902.312,... (OM 601.943)		Diesel	RWD	2299	60	82	09.96-04.00	■	
216 CDI (902.611, 902.612, 902.621, 902.622) (OM 612.981)	-12/03	Diesel	RWD	2685	115	156	04.00-05.06	■	
210 D (901.421, 902.412) (OM 602.980)		Diesel	RWD	2874	75	102	01.97-04.00	■	
212 D (901.421, 902.412) (OM 602.980)		Diesel	RWD	2874	90	122	02.95-04.00	■	
SPRINTER 2-Ton. (B901, B902) 01.95-05.06							Van (LCVs-N1 Segment)		
214 (901.061, 901.062, 901.661, 901.662, 902.061,... (M 111.979)	-12/03	Gasolina	RWD	2295	105	143	02.95-05.06	■	
214 (901.061, 901.062, 901.661, 901.662, 902.061,... (M 111.984)	-12/03	Gasolina	RWD	2295	105	143	02.95-05.06	■	
214 NGT (901.661, 902.061, 902.062, 902.661, 902.662) (M 111.979)	-12/03	Gasol./Gas (CNG)	RWD	2295	95	129	02.95-05.06	■	
214 NGT (901.661, 902.061, 902.062, 902.661, 902.662) (M 111.984)	-12/03	Gasol./Gas (CNG)	RWD	2295	95	129	02.95-05.06	■	
208 CDI (901.661, 901.662, 902.661, 902.662) (OM 611.987)	-12/03	Diesel	RWD	2148	60	82	04.00-05.06	■	
211 CDI (901.661, 901.662, 902.661, 902.662) (OM 611.981)	-12/03	Diesel	RWD	2148	80	109	04.00-05.06	■	
213 CDI (901.661, 901.662, 902.661, 902.662) (OM 611.981)	-12/03	Diesel	RWD	2148	95	129	04.00-05.06	■	
208 D (901.361, 901.362, 902.361, 902.362) (OM 601.943)		Diesel	RWD	2299	58	79	02.95-04.00	■	
208 D (901.361, 901.362, 902.361, 902.362) (OM 601.943)		Diesel	RWD	2299	60	82	10.96-04.00	■	
216 CDI (902.661, 902.662) (OM 612.981)	-12/03	Diesel	RWD	2685	115	156	04.00-05.06	■	
210 D (901.461, 901.462, 902.461, 902.462) (OM 602.980)		Diesel	RWD	2874	75	102	01.97-04.00	■	
212 D (901.461, 901.462, 902.461, 902.462) (OM 602.980)		Diesel	RWD	2874	90	122	02.95-04.00	■	
SPRINTER 3-Ton. (B903) 01.95-05.12							Bus (Minibus-M2-Segment)		
314 (903.071, 903.072, 903.073, 903.671, 903.672,... (M 111.979)	-12/03	Gasolina	RWD	2295	105	143	02.95-05.06	■	
314 (903.071, 903.072, 903.073, 903.671, 903.672,... (M 111.984)	-12/03	Gasolina	RWD	2295	105	143	02.95-05.06	■	
314 4x4 (903.672, 903.673) (M 111.984)	-12/03	Gasolina	4WD	2295	105	143	02.95-05.06	■	

LISTA DE APLICACIONES - BUYERS GUIDE

314 NGT (903.072, 903.671, 903.672) (M 111.979)	-12/03	Gasol./Gas (CNG)	RWD	2295	95	129	02.95-05.06	■	
314 NGT (903.072, 903.671, 903.672) (M 111.984)	-12/03	Gasol./Gas (CNG)	RWD	2295	95	129	02.95-05.06	■	
308 E (903.372)	-12/03	Eléctrico	RWD		40	54	01.96-05.06	■	
308 CDI (903.671, 903.672, 903.673) (OM 611.987)	-12/03	Diesel	RWD	2148	60	82	04.00-05.06	■	
311 CDI (903.671, 903.672) (OM 611.981)	-12/03	Diesel	RWD	2148	80	109	04.00-05.06	■	
311 CDI 4x4 (903.672, 903.673) (OM 611.981)	-12/03	Diesel	4WD	2148	80	109	08.02-05.06	■	
313 CDI (903.671, 903.672, 903.673) (OM 611.981)	-12/03	Diesel	RWD	2148	95	129	04.00-05.06	■	
313 CDI 4x4 (903.672, 903.673) (OM 611.981)	-12/03	Diesel	4WD	2148	95	129	08.02-05.06	■	
2.3 D		Diesel	RWD	2299	58	79	06.97-12.99	■	
308 D (903.372, 903.373) (OM 601.943)		Diesel	RWD	2299	58	79	02.95-04.00	■	
308 D (903.371, 903.372, 903.373) (OM 601.943)		Diesel	RWD	2299	60	82	03.97-04.00	■	
316 CDI (903.671, 903.672, 903.673) (OM 612.981)	-12/03	Diesel	RWD	2685	115	156	04.00-05.06	■	
316 CDI (903.671, 903.672, 903.673) (OM 647.981)	-12/03	Diesel	RWD	2685	115	156	04.00-05.06	■	
316 CDI 4x4 (903.672, 903.673) (OM 612.981)	-12/03	Diesel	4WD	2685	115	156	08.02-05.06	■	
316 CDI 4x4 (903.672, 903.673) (OM 647.981)	-12/03	Diesel	4WD	2685	115	156	08.02-05.06	■	
310 D (903.471, 903.472, 903.473) (OM 602.980)		Diesel	RWD	2874	75	102	01.97-12.99	■	
310 D 4x4 (903.472, 903.473) (OM 602.980)		Diesel	4WD	2874	75	102	05.97-08.02	■	
312 D 2.9 (903.471, 903.472, 903.473) (OM 602.980)		Diesel	RWD	2874	90	122	02.95-04.00	■	
312 D 2.9 4x4 (903.473) (OM 602.980)		Diesel	4WD	2874	90	122	05.97-08.02	■	
SPRINTER 3-Ton. (B903) 01.95-05.12							Platform/Chassis (LCVs-N1 Segment)		
314 (903.011, 903.012, 903.013, 903.022, 903.612,... (M 111.979)	-12/03	Gasolina	RWD	2295	105	143	02.95-05.06	■	
314 (903.011, 903.012, 903.013, 903.022, 903.612,... (M 111.984)	-12/03	Gasolina	RWD	2295	105	143	02.95-05.06	■	
314 4x4 (903.612, 903.613, 903.622) (M 111.984)	-12/03	Gasolina	4WD	2295	105	143	02.95-05.06	■	
314 NGT (903.611, 903.612, 903.613, 903.622, 903.012,... (M 111.979)	-12/03	Gasol./Gas (CNG)	RWD	2295	95	129	02.95-05.06	■	
314 NGT (903.611, 903.612, 903.613, 903.622, 903.012,... (M 111.984)	-12/03	Gasol./Gas (CNG)	RWD	2295	95	129	02.95-05.06	■	
308 CDI (903.611, 903.612, 903.613, 903.621, 903.622,... (OM 611.987)	-12/03	Diesel	RWD	2148	60	82	04.00-05.06	■	
311 CDI (903.611, 903.612, 903.613, 903.621, 903.622,... (OM 611.981)	-12/03	Diesel	RWD	2148	80	109	04.00-05.06	■	
311 CDI 4x4 (903.612, 903.613, 903.622, 903.623) (OM 611.981)	-12/03	Diesel	4WD	2148	80	109	04.00-05.06	■	
313 CDI (903.611, 903.612, 903.621, 903.622, 903.623,... (OM 611.981)	-12/03	Diesel	RWD	2148	95	129	04.00-05.06	■	
313 CDI 4x4 (903.612, 903.613, 903.622, 903.623) (OM 611.981)	-12/03	Diesel	4WD	2148	95	129	04.00-05.06	■	
308 D 2.3 (903.311, 903.322) (OM 601.943)		Diesel	RWD	2299	58	79	02.95-04.00	■	
308 D 2.3 (903.311, 903.322) (OM 601.943)		Diesel	RWD	2299	60	82	11.96-04.00	■	
316 CDI (903.611, 903.612, 903.613, 903.621, 903.622,... (OM 612.981)	-12/03	Diesel	RWD	2685	115	156	04.00-05.06	■	
316 CDI (903.611, 903.612, 903.613, 903.621, 903.622,... (OM 647.981)	-12/03	Diesel	RWD	2685	115	156	04.00-05.06	■	
316 CDI 4x4 (903.612, 903.613, 903.622, 903.623) (OM 612.981)	-12/03	Diesel	4WD	2685	115	156	08.02-05.06	■	
316 CDI 4x4 (903.612, 903.613, 903.622, 903.623) (OM 647.981)	-12/03	Diesel	4WD	2685	115	156	08.02-05.06	■	
310 D 2.9 (903.411, 903.412, 903.413, 903.421, 903.422,... (OM 602.980)		Diesel	RWD	2874	75	102	01.97-04.00	■	

LISTA DE APLICACIONES - BUYERS GUIDE

310 D 2.9 4x4 (903.421, 903.422, 903.423) (OM 602.980)		Diesel	4WD	2874	75	102	01.97-04.00	■	
312 D 2.9 (903.411, 903.412, 903.421, 903.422, 903.423) (OM 602.980)		Diesel	RWD	2874	85	116	12.98-09.01	■	
312 D 2.9 (903.411, 903.412, 903.421, 903.422, 903.423) (OM 602.980)		Diesel	RWD	2874	90	122	02.95-04.00	■	
SPRINTER 3-Ton. (B903) 01.95-05.12							Van (LCVs-N1 Segment)		
314 (903.061, 903.062, 903.063, 903.661, 903.662) (M 111.979)	-12/03	Gasolina	RWD	2295	105	143	02.95-05.06	■	
314 (903.061, 903.062, 903.063, 903.661, 903.662) (M 111.984)	-12/03	Gasolina	RWD	2295	105	143	02.95-05.06	■	
314 4x4 (903.661, 903.662, 903.663) (M 111.984)	-12/03	Gasolina	4WD	2295	105	143	02.95-05.06	■	
314 NGT (903.661, 903.061, 903.062, 903.063, 903.662) (M 111.979)	-12/03	Gasol./Gas (CNG)	RWD	2295	95	129	02.95-05.06	■	
314 NGT (903.661, 903.061, 903.062, 903.063, 903.662) (M 111.984)	-12/03	Gasol./Gas (CNG)	RWD	2295	95	129	02.95-05.06	■	
308 CDI (903.661, 903.662, 903.663) (OM 611.987)	-12/03	Diesel	RWD	2148	60	82	04.00-05.06	■	
311 CDI (903.661, 903.662, 903.663) (OM 611.981)	-12/03	Diesel	RWD	2148	80	109	04.00-05.06	■	
311 CDI 4x4 (903.662, 903.663) (OM 611.981)	-12/03	Diesel	4WD	2148	80	109	08.02-05.06	■	
313 CDI (903.663, 903.662, 903.661) (OM 611.981)	-12/03	Diesel	RWD	2148	95	129	04.00-05.06	■	
313 CDI 4x4 (903.662, 903.663) (OM 611.981)	-12/03	Diesel	4WD	2148	95	129	08.02-05.06	■	
2.3 D		Diesel	RWD	2299	58	79	06.97-12.99	■	
308 D 2.3 (903.361, 903.362, 903.363) (OM 601.943)		Diesel	RWD	2299	58	79	02.95-04.00	■	
308 D 2.3 (903.361) (OM 601.943)		Diesel	RWD	2299	60	82	02.95-04.00	■	
316 CDI (903.661, 903.662, 903.663) (OM 612.981)	-12/03	Diesel	RWD	2685	115	156	04.00-05.06	■	
316 CDI (903.661, 903.662, 903.663) (OM 647.981)	-12/03	Diesel	RWD	2685	115	156	04.00-05.06	■	
316 CDI 4x4 (903.662, 903.663) (OM 612.981)	-12/03	Diesel	4WD	2685	115	156	02.01-05.06	■	
316 CDI 4x4 (903.662, 903.663) (OM 647.981)	-12/03	Diesel	4WD	2685	115	156	02.01-05.06	■	
310 D 2.9 (903.461, 903.462, 903.463) (OM 602.980)	01/97-	Diesel	RWD	2874	75	102	02.95-04.00	■	
310 D 2.9 4x4 (903.461, 903.462) (OM 602.980)		Diesel	4WD	2874	75	102	06.97-04.00	■	
312 D 2.9 (903.461, 903.462, 903.463) (OM 602.980)		Diesel	RWD	2874	90	122	02.95-04.00	■	
312 D 2.9 4x4 (903.461, 903.462) (OM 602.980)		Diesel	4WD	2874	90	122	05.97-08.02	■	
SPRINTER 4-Ton. (B904) 02.95-05.12							Platform/Chassis (LCVs-N1 Segment)		
414 4x4 (904.012, 904.013, 904.612, 904.613) (M 111.979)		Gasolina	4WD	2295	105	143	05.97-05.06	■	
414 4x4 (904.012, 904.013, 904.612, 904.613) (M 111.984)		Gasolina	4WD	2295	105	143	05.97-05.06	■	
411 CDI 4x4 (904.612, 904.623, 904.622, 904.613) (OM 611.981)		Diesel	4WD	2148	80	109	04.00-05.06	■	
413 CDI 4x4 (904.623, 904.613) (OM 611.981)		Diesel	4WD	2148	95	129	04.00-05.06	■	
416 CDI 4x4 (OM 612.981)		Diesel	4WD	2685	115	156	04.00-05.06	■	
416 CDI 4x4 (OM 647.981)		Diesel	4WD	2685	115	156	04.00-05.06	■	
SPRINTER 4-Ton. (B904) 02.95-05.12							Van (LCVs-N1 Segment)		
414 4x4 (904.062, 904.063, 904.662, 904.663) (M 111.979)		Gasolina	4WD	2295	105	143	05.97-05.06	■	
414 4x4 (904.062, 904.063, 904.662, 904.663) (M 111.984)		Gasolina	4WD	2295	105	143	05.97-05.06	■	
411 CDI 4x4 (904.663, 904.662) (OM 611.981)		Diesel	4WD	2148	80	109	04.00-05.06	■	
413 CDI 4x4 (904.663) (OM 611.981)		Diesel	4WD	2148	95	129	04.00-05.06	■	
416 CDI 4x4 (OM 612.981)		Diesel	4WD	2685	115	156	04.00-05.06	■	
416 CDI 4x4 (OM 647.981)		Diesel	4WD	2685	115	156	04.00-05.06	■	

LISTA DE APLICACIONES - BUYERS GUIDE

V-Class (638/2) 02.96-07.03					Bus (Minibus-M2-Segment)				
V 200 (638.214, 638.294) (M 111.948)		Gasolina	FWD	1998	95	129	02.97-07.03	■	
V 200 (638.214, 638.294) (M 111.950)		Gasolina	FWD	1998	95	129	02.97-07.03	■	
V 230 (638.234, 638.294) (M 111.978)		Gasolina	FWD	2295	105	143	10.96-07.03	■	
V 230 (638.234, 638.294) (M 111.980)		Gasolina	FWD	2295	105	143	10.96-07.03	■	
V 280 (638.244, 638.294) (M 104.900)		Gasolina	FWD	2792	128	174	08.97-07.03	■	
V 200 CDI (638.294) (OM 611.980)		Diesel	FWD	2148	75	102	03.99-07.03	■	
V 220 CDI (638.294) (OM 611.980)		Diesel	FWD	2148	90	122	03.99-07.03	■	
V 230 TD (638.274) (OM 601.970)		Diesel	FWD	2299	72	98	09.96-07.03	■	
VITO (W638) 02.96-12.03					Bus (Minibus-M2-Segment)				
113 2.0 (638.114, 638.194) (M 111.948)		Gasolina	FWD	1998	95	129	02.96-07.03	■	
113 2.0 (638.114, 638.194) (M 111.950)		Gasolina	FWD	1998	95	129	02.96-07.03	■	
114 2.3 (638.134, 638.194) (M 111.978)	01/97-	Gasolina	FWD	2295	105	143	12.96-07.03	■	
114 2.3 (638.134, 638.194) (M 111.980)	01/97-	Gasolina	FWD	2295	105	143	12.96-07.03	■	
108 D 2.3 (638.164) (OM 601.942)		Diesel	FWD	2299	58	79	02.96-07.03	■	
110 TD 2.3 (638.174) (OM 601.970)		Diesel	FWD	2299	72	98	02.96-07.03	■	
VITO (W638) 03.97-07.03					Van (LCVs-N1 Segment)				
113 2.0 (638.014, 638.094) (M 111.948)		Gasolina	FWD	1998	95	129	03.97-07.03	■	
113 2.0 (638.014, 638.094) (M 111.950)		Gasolina	FWD	1998	95	129	03.97-07.03	■	
114 2.3 (638.034, 638.094) (M 111.978)		Gasolina	FWD	2295	105	143	03.97-07.03	■	
108 D 2.3 (638.064, 638.068) (OM 601.942)		Diesel	FWD	2299	58	79	03.97-07.03	■	
110 D 2.3 (638.074, 638.078) (OM 601.970)		Diesel	FWD	2299	72	98	03.97-07.03	■	