

LISTA DE APLICACIONES - BUYERS GUIDE

141111-700

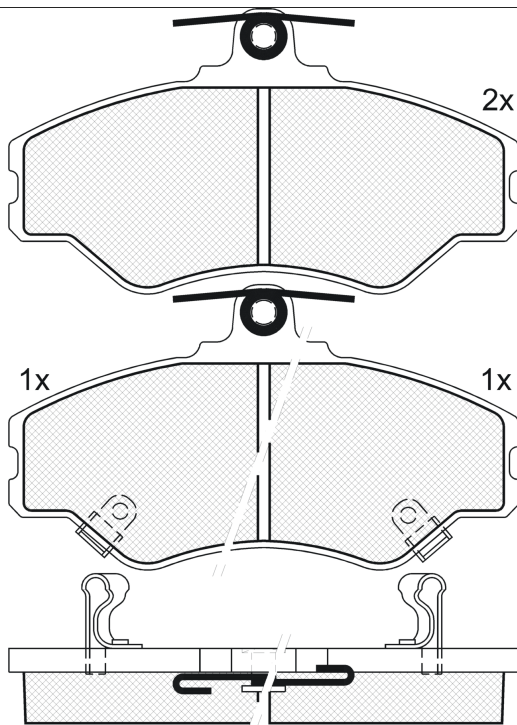


8 424073 081094

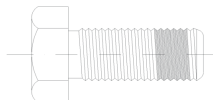
Qty: 639

Weight: 1.880

O.E.M.	MAKE
58101-43A00	HYUNDAI
58101-44A00	HYUNDAI
58101-44A10	HYUNDAI
58101-4BA00	HYUNDAI
58101-4BA10	HYUNDAI



141111-700



4x

1-690042

141111-700



90R-01109/171



Lucas - Girling

129.85x72.8x19

WVA	FMSI
23081	D1137-8247
23082	
23083	
MAKE	
HYUNDAI	



Trac.	CC	Kw	CV
-------	----	----	----



Front / Rear

HYUNDAI

							Hatchback (Compact car-C Segment)		
AU 01.96-									
2.5 D	01/96-	Diesel	RWD	2495	57	78	01.96-	■	
GRACE 07.93-10.04							Bus (Minibus-M2-Segment)		
2.5 D (D4BA)		Diesel	RWD	2476	55	75	07.93-06.94	■	
2.5 TD (D4BF)		Diesel	RWD	2476	59	80	06.98-10.01	■	
2.6 D (D4BB)		Diesel	RWD	2607	57	78	10.99-10.04	■	
2.6 D		Diesel	RWD	2659	57	78	10.99-10.04	■	
GRACE 07.93-12.04							Van (LCVs-N1 Segment)		
2.4 (G4CS)		Gasolina	RWD	2351	84	114	10.97-12.04	■	
2.4 (G4CS)		Gasolina	RWD	2351	90	122	07.93-07.97	■	
H-1 / H-200 / SATELLITE 01.94-							Van (LCVs-N1 Segment)		
2.4 DLX/GS	01/94-	Gasolina	FWD	2395	84	114	01.94-	■	
2.5 TD SDLX/GS	01/95-	Diesel	RWD	2495	55	75	01.94-	■	
2.5 D	01/94-	Diesel	RWD	2495	57	77	01.94-	■	
2.5 D DLX/Grand Luxe	01/94-	Diesel	RWD	2495	57	78	01.94-	■	
H100 / PORTER 05.96-10.04							Platform/Chassis (LCVs-N1 Segment)		
2.5 D (D4BA)		Diesel	RWD	2476	57	78	05.96-10.01	■	
H-100 / PORTER 07.93-10.06							Platform/Chassis (LCVs-N1 Segment)		
2.4 (G4CS)		Gasolina	RWD	2351	84	114	05.96-12.97	■	
2.5 TD		Diesel	RWD	2476	54	73	09.94-08.98	■	
2.5 D (D4BA)		Diesel	RWD	2476	57	78	07.93-12.97	■	
2.5 D (D4BF)		Diesel	RWD	2476	59	80	05.96-12.97	■	

LISTA DE APLICACIONES - BUYERS GUIDE

2.5 D	01/94-	Diesel	RWD	2495	55	75	07.93-	■	
2.6 TD (D4BB)		Diesel	RWD	2607	63	86	04.96-12.97	■	
H-100 / H-150 / GRACE / PORTER (P) 07.93-10.04						Bus (Minibus-M2-Segment)			
2.4 (G4CS)		Gasolina	RWD	2351	84	114	01.97-03.00	■	
2.4 (G4CS)		Gasolina	RWD	2351	90	122	07.93-03.00	■	
2.5 D (D4BA)		Diesel	RWD	2476	57	78	12.94-03.00	■	
2.5 TD (D4BF)		Diesel	RWD	2476	59	80	07.93-03.00	■	
2.5 D (D4BX)		Diesel	RWD	2477	55	75	07.93-12.94	■	
2.6 D		Diesel	RWD	2607	57	78	10.99-10.04	■	
2.6 D		Diesel	RWD	2659	57	78	10.99-10.04	■	
H-100 / H-150 / GRACE / PORTER 07.93-02.07						Van (LCVs-N1 Segment)			
2.4 (G4CS)		Gasolina	RWD	2351	82	111	10.97-12.04	■	
2.4 (G4CS)		Gasolina	RWD	2351	84	114	08.97-10.03	■	
2.4 TD (G4CS)		Gasolina	RWD	2351	90	122	07.93-07.97	■	
2.5 D (D4BA)		Diesel	RWD	2476	57	78	12.94-03.00	■	
2.5 TDiC (D4BF)	-12/00	Diesel	RWD	2476	59	80	06.98-10.03	■	
2.5 D (D4BX)		Diesel	RWD	2477	55	75	07.93-12.94	■	
2.6 D (D4BB)		Diesel	RWD	2607	57	78	10.99-12.04	■	
2.6 TD (D4BB)		Diesel	RWD	2607	63	86	07.93-05.98	■	
2.6 D		Diesel	RWD	2659	57	78	10.99-12.04	■	
PORTER III / H-100 07.94-04.04						Bus (Minibus-M2-Segment)			
2.5 TD (D4BA)		Diesel	RWD	2476	57	78	07.94-04.04	■	
2.5 TD		Diesel	RWD	2477	73	99	07.94-04.04	■	
2.5 CRDi		Diesel	RWD	2497	103	140	02.03-04.04	■	
PORTER III / H-100 07.94-12.04						Platform/Chassis (LCVs-N1 Segment)			
2.5 TD (D4BA)		Diesel	RWD	2476	57	78	07.94-04.04	■	
2.5 TD (D4BH)		Diesel	RWD	2477	73	99	07.94-04.04	■	
2.5 CRDi (D4CB)		Diesel	RWD	2497	103	140	02.03-04.04	■	
2.6 TD		Diesel	RWD	2607	63	86	07.94-04.04	■	
PORTER III / H-100 07.94-04.04						Van (LCVs-N1 Segment)			
2.5 TD (D4BA)		Diesel	RWD	2476	57	78	07.94-04.04	■	
2.5 TD (D4BH)		Diesel	RWD	2477	73	99	07.94-04.04	■	
2.5 CRDi (D4CB)		Diesel	RWD	2497	103	140	02.03-04.04	■	
2.6 TD (D4BB)		Diesel	RWD	2607	63	86	07.94-04.04	■	
PORTER IV / HR / H-100 05.04-						Van (LCVs-N1 Segment)			
2.5 TCI		Diesel	RWD	2477	74	101	05.04-	■	
2.5 CRDi		Diesel	RWD	2497	103	140	05.04-	■	