

# LISTA DE APLICACIONES - BUYERS GUIDE

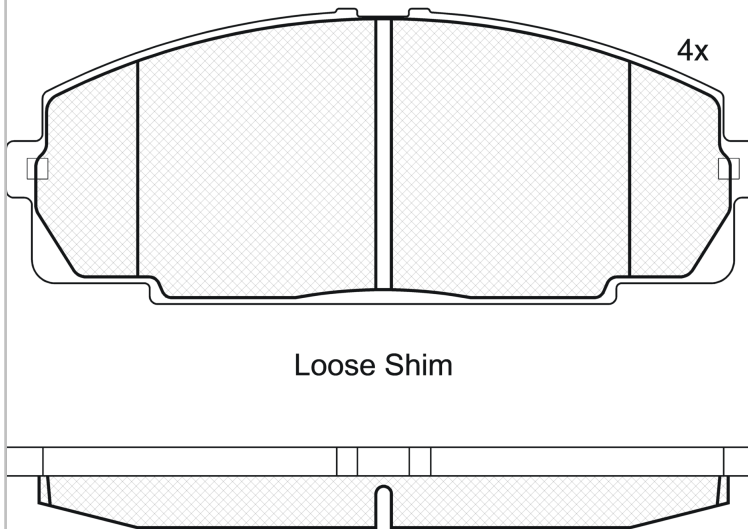
## 141170



Qty: 639

Weight: 1.714

O.E.M.	MAKE
04465-25040	TOYOTA
04465-25060	TOYOTA
04465-26070	TOYOTA
04465-26090	TOYOTA
04465-26301	TOYOTA
04465-26320	TOYOTA
04465-26340	TOYOTA
04465-26370	TOYOTA
04465-26390	TOYOTA
04465-YZZAD	TOYOTA
04465-YZZAJ	TOYOTA
04491-26090	TOYOTA
04491-26100	TOYOTA
04491-26110	TOYOTA
04491-26111	TOYOTA
04491-26160	TOYOTA
04491-26170	TOYOTA
04491-26180	TOYOTA
04491-26191	TOYOTA
04491-26210	TOYOTA
04491-26261	TOYOTA
04491-26262	TOYOTA
04491-26270	TOYOTA
04491-26320	TOYOTA
04491-26340	TOYOTA



## 141170

**E 9** 90R-01109/470



Akebono

145.4x56.95x15.5

WVA	FMSI
21468	D1344-8455
24158	D2316-9552
24159	
24160	

MAKE
DAIHATSU
PREMIER
TOYOTA



Trac.	CC	Kw	CV			Front / Rear
-------	----	----	----	--	--	--------------

DAIHATSU							
<b>DELTA (U3_) 05.99-</b>						<b>Platform/Chassis (LCVs-N1 Segment)</b>	
3.0 Di		Diesel	RWD	2982	85	116	10.03- ■
PREMIER							
<b>118 NE 01.85-12.01</b>						<b>Saloon (LCVs-N1 Segment)</b>	
1.4	01/05-	Gasolina	FWD	1438	55	75	05.86-10.96 ■
TOYOTA							
<b>COMMUTER 01.00-</b>						<b>Bus (Minibus-M2-Segment)</b>	
LH184R All models	01/00-	Diesel	RWD			101.00-	■
<b>DYNA (XZU3_, XZU4_, WU4_, WU3_, LY2_, KDY2_) 08.01-</b>						<b>Bus (Minibus-M2-Segment)</b>	
3.0 D4d		Diesel	RWD	2982	81	110	08.01-02.08 ■
3.0 D4d (KDY241)		Diesel	RWD	2982	106	144	09.06- ■
<b>DYNA (LH8_) 08.85-05.95</b>						<b>Platform/Chassis (LCVs-N1 Segment)</b>	
2.0 (TRY220, TRY230)		Gasolina	RWD	1998	98	133	08.03- ■
2.0 4WD (TRY220, TRY230)		Gasolina	4WD	1998	98	133	09.06- ■
2.0 LPG (TRY231)		Gasol./Gas (LPG)	RWD	1998	85	116	09.06- ■
2.0 LPG 4WD (TRY281)		Gasol./Gas (LPG)	4WD	1998	85	116	09.06- ■
2.4 D 100	01/88-	Diesel	RWD	2395	54	74	08.85- ■
2.4 D 100	01/95-	Diesel	RWD	2395	54	74	08.85- ■
2.4 D (LH80_, LY50_, LY60_) (2L)		Diesel	RWD	2446	61	83	08.85-05.95 ■
2.5 D4d (KDY220_, KDY230_) (2KD-FTV)		Diesel	RWD	2494	65	88	07.01- ■
2.5 D4d (KDY230, KDY250, KDY220) (2KD-FTV)		Diesel	RWD	2494	75	102	08.01- ■

## LISTA DE APLICACIONES - BUYERS GUIDE

3.0 D4d (KDY261_, KDY251_, KDY231_, KDY221_, KDY221R,... (1KD-FTV)		Diesel	RWD	2982	80	109	09.06-	■	
3.0 D4d (KDY221, KDY231, KDY251, KDY261) (1KD-FTV)		Diesel	RWD	2982	100	136	10.09-	■	
3.0 D4d (KDY221, KDY231, KDY251, KDY261) (1KD-FTV)		Diesel	RWD	2982	106	144	09.06-	■	
3.0 D4d 4WD (KDY271)		Diesel	4WD	2982	106	144	09.06-	■	
3.0 D4d (LY220, LY230) (5L)		Diesel	RWD	2986	65	88	08.01-	■	
4.6 D4d (XZU307, XZU312, XZU322, XZU337, XZU342, XZU347,...		Diesel	RWD	4613	96	131	05.99-	■	
<b>DYNA 100 (YH_) 08.85-04.95</b>							<b>Platform/Chassis (LCVs-N1 Segment)</b>		
1.8 (YH81_, YH81R) (2Y)	01/88-	Gasolina	RWD	1812	58	79	08.85-04.95	■	
2.4 D (LY100_, LY100R) (2L)		Diesel	RWD	2446	54	73	05.95-07.01	■	
2.4 D (LY100_) (2L)		Diesel	RWD	2446	58	79	05.95-07.01	■	
<b>DYNA 200 06.95-12.02</b>							<b>Platform/Chassis (LCVs-N1 Segment)</b>		
2.2 (YU210)		Gasolina	RWD	2237	69	94	06.95-07.01	■	
2.7 (RZU100)		Gasolina	RWD	2694	92	125	06.95-07.01	■	
3.7 D (BU101, BU141, BU211, BU221) (14B)		Diesel	RWD	3661	71	97	06.95-12.02	■	
4.1 Di (BU102, BU112, BU122, BU132, BU142, BU162, BU172,... (15B-F)		Diesel	RWD	4104	92	125	06.95-05.99	■	
4.1 Di (BU102, BU112, BU122, BU132, BU142, BU162, BU172,... (15B-FT)		Diesel	RWD	4104	92	125	06.95-05.99	■	
4.1 TDi (BU223, BU102, BU222) (15B-FTE)		Diesel	RWD	4104	110	150	06.95-05.99	■	
4.1 TDi (BU223) (15B-FTE)		Diesel	RWD	4104	125	170	06.99-07.01	■	
<b>DYNA 250 06.95-07.01</b>							<b>Platform/Chassis (LCVs-N1 Segment)</b>		
3.7 D (BU211, BU221)		Diesel	RWD	3661	71	97	06.95-07.01	■	
<b>DYNA 250 06.95-12.03</b>							<b>Van (LCVs-N1 Segment)</b>		
4.1 D (BU212, BU222)		Diesel	RWD	4104	92	125	06.95-06.99	■	
4.1 TDi (BU223)		Diesel	RWD	4104	125	170	07.99-12.02	■	
4.6 D (XZU307)		Diesel	RWD	4613	88	120	06.95-11.02	■	
4.6 TDi (XZU307)		Diesel	RWD	4613	108	147	06.03-12.03	■	
<b>DYNA 300 06.95-12.02</b>							<b>Platform/Chassis (LCVs-N1 Segment)</b>		
2.4 (2RZ-FE)		Gasolina	RWD	2438	103	140	06.98-07.01	■	
2.7 (3RZ-FE)		Gasolina	RWD	2694	92	125	06.95-06.99	■	
3.7 D (14B)		Diesel	RWD	3661	71	97	06.95-06.99	■	
4.1 D (15B-FTE)		Diesel	RWD	4104	92	125	06.95-06.99	■	
4.1 Tdi (XZU300, XZU320, XZU330, XZU340)		Diesel	RWD	4104	125	170	06.99-12.02	■	
<b>DYNA 400 (BU_, XZU_) 10.00-12.06</b>							<b>Platform/Chassis (LCVs-N1 Segment)</b>		
4.1 TDi (BU410, BU420, BU430) (15B-FTE)		Diesel	RWD	4104	125	170	11.02-12.06	■	
4.6 D (XZU402, XZU412, XZU422) (S05C)		Diesel	RWD	4613	88	120	10.00-09.06	■	
4.6 TDi (XZU404, XZU342, XZU414, XZU424, XZU434) (S05C-TB)		Diesel	RWD	4613	108	147	06.03-09.06	■	
<b>GRANVIA (_H2_, _H1_) 08.95-12.04</b>							<b>MPV (Large MPV-M1 Segment)</b>		
2.7 (RCH11W_, RCH11W) (3RZ-FE)		Gasolina	RWD	2694	107	145	08.95-09.98	■	
3.4 4WD (VCH16, VCH28) (5VZ-FE)		Gasolina	4WD	3378	132	180	08.97-05.02	■	
3.4 (VCH10W, VCH16W, VCH26W)		Gasolina	RWD	3378	140	190	08.95-12.04	■	
3.4 4x4 (VCH16) (5VZ-FE)		Gasolina	4WD	3378	140	190	08.97-12.04	■	
3.0 TDi (KCH10) (1KZ-TE)		Diesel	RWD	2982	96	131	08.95-12.04	■	
3.0 TD (KCH10) (1KZ-TE)		Diesel	RWD	2982	103	140	08.95-12.02	■	
3.0 TD 4x4 (KCH16) (1KZ-TE)		Diesel	4WD	2982	103	140	08.95-12.02	■	

# LISTA DE APLICACIONES - BUYERS GUIDE

<b>HiAce III (_H5_, _H6_, _H7_, _H8_, _H9_) 11.82-09.07</b>						<b>Bus (Minibus-M2-Segment)</b>			
1.8 (YH50, YH60) (2Y)	01/87-	Gasolina	RWD	1812	58	79	03.83-07.89	■	
2.0		Gasolina	FWD	1998	65	88	08.87-07.89	■	
2.0 (YH51, YH61) (3Y)	01/87-	Gasolina	RWD	1998	65	88	01.85-08.89	■	
2.2 (YH56, YH66, YH73) (4Y)		Gasolina	RWD	2237	69	94	08.86-08.89	■	
2.2 D (LH50, LH60) (L)	01/87-	Diesel	RWD	2188	49	67	12.82-11.89	■	
2.4 D 4WD (LH56, LH66) (2L)		Diesel	4WD	2446	54	73	01.87-08.89	■	
2.4 D (LH51, LH61, LH66) (2L)	01/87-	Diesel	RWD	2446	55	75	04.84-08.89	■	
<b>HiAce III (_H5_, _H6_, _H7_, _H8_, _H9_) 12.82-08.05</b>						<b>Van (LCVs-N1 Segment)</b>			
1.8 (YH50, YH60) (2Y)	01/87-	Gasolina	RWD	1812	58	79	12.82-07.89	■	
2.0 (YH51, YH61) (3Y)	01/87-	Gasolina	RWD	1998	65	88	12.82-08.89	■	
2.2 (YH56, YH66, YH53, YH63) (4Y)		Gasolina	RWD	2237	69	94	08.86-08.89	■	
2.2 4WD (YH56, YH66) (4Y)		Gasolina	4WD	2237	69	94	08.87-08.89	■	
2.2 D (LH50, LH60) (L)	01/87-	Diesel	RWD	2188	49	67	12.82-11.89	■	
2.4 D (LH61, LH51) (2L)	01/87-	Diesel	RWD	2446	55	75	12.82-11.89	■	
2.4 D 4WD (LH56, LH66) (2L)		Diesel	4WD	2446	55	75	04.84-07.89	■	
<b>HiAce IV (_H1_, _H2_) 08.95-</b>						<b>Bus (Minibus-M2-Segment)</b>			
2.0		Gasolina	FWD	1998	74	101	08.95-04.98	■	
2.4 (RCH12, RCH22) (2RZ-E)		Gasolina	RWD	2438	85	115	08.95-04.98	■	
2.4 4WD (RCH18) (2RZ-E)		Gasolina	4WD	2438	85	116	08.95-04.98	■	
2.7 (RCH13, RCH23) (3RZ-FE)	vehicles with ABS	Gasolina	RWD	2694	105	143	04.98-11.01	■	
2.7 4WD (RCH19) (3RZ-FE)		Gasolina	4WD	2694	105	143	04.98-08.06	■	
2.7 (RCH13, RCH23) (3RZ-FE)	vehicles with ABS	Gasolina	RWD	2694	106	144	07.98-12.06	■	
2.7 4WD (RCH19) (3RZ-FE)		Gasolina	4WD	2694	106	144	07.98-06.05	■	
2.7 (TRH203, TRH213, TRH214, TRH224) (2TR-FE)		Gasolina	RWD	2694	111	151	01.05-05.19	■	
2.4 D (LXH12) (2L)	vehicles with ABS	Diesel	RWD	2446	55	75	08.95-08.01	■	
2.4 D (LXH12, LXH22) (2L)	vehicles with ABS	Diesel	RWD	2446	58	79	08.95-08.01	■	
2.4 D (LH102, LH112, LH114, LXH12, LXH22) (2L)		Diesel	RWD	2446	61	83	08.95-08.01	■	
2.4 TD (LXH12, LXH22) (2L-T)	vehicles with ABS	Diesel	RWD	2446	66	90	08.95-08.01	■	
2.4 TD 4WD (LXH18, LXH28) (2L-T)		Diesel	4WD	2446	66	90	08.95-08.01	■	
2.5 D-4D (KLH12) (2KD-FTV)	vehicles with ABS	Diesel	RWD	2494	65	88	08.01-08.06	■	
2.5 D-4D (KLH12, KLH22) (2KD-FTV)	vehicles with ABS	Diesel	RWD	2494	70	95	09.06-12.12	■	
2.5 D-4D (KLH12, KLH22) (2KD-FTV)	vehicles with ABS	Diesel	RWD	2494	75	102	08.01-08.06	■	
2.5 D-4D 4WD (KLH18) (2KD-FTV)		Diesel	4WD	2494	75	102	11.01-08.06	■	
2.5 D-4D (KLH12, KLH22) (2KD-FTV)	vehicles with ABS	Diesel	RWD	2494	86	117	08.06-12.12	■	
2.5 D-4D 4WD (KLH18) (2KD-FTV)		Diesel	4WD	2494	86	117	09.06-12.12	■	
2.8 D		Diesel	RWD	2779	61	83	08.95-08.00	■	
<b>HiAce IV (LXH1_, RCH1_, KLH1_) 08.95-08.06</b>						<b>Platform/Chassis (LCVs-N1 Segment)</b>			
2.4 D		Diesel	RWD	2446	55	75	07.99-08.06	■	
2.4 D		Diesel	RWD	2446	61	83	08.95-08.06	■	
<b>HiAce IV (_H1_) 08.89-02.05</b>						<b>Van (LCVs-N1 Segment)</b>			
2.0 (RZH102, RZH112) (1RZ)		Gasolina	RWD	1998	74	101	02.90-08.04	■	
2.0 (RZH102, RZH112, RZH182K)		Gasolina	RWD	1998	81	110	11.96-10.00	■	
2.4 (RZH103, RZH113)		Gasolina	RWD	2438	85	116	08.89-07.98	■	
2.4 (RZH10) (2RZ-E)		Gasolina	RWD	2438	88	120	08.89-08.95	■	
2.4 4WD (RCH103_, RCH113_, RCH103R, RCH113R) (2RZ-E)		Gasolina	4WD	2438	88	120	08.89-08.95	■	
2.4 D (LH112) (2L)		Diesel	RWD	2446	55	75	08.89-08.04	■	
2.4 D 4WD (LH108, LH118) (2L)		Diesel	4WD	2446	55	75	08.89-07.99	■	

# LISTA DE APLICACIONES - BUYERS GUIDE

2.4 D (LH102, LH104, LH112) (2L)		Diesel	RWD	2446	57	78	09.89-08.95	■	
2.4 D 4WD (2L)		Diesel	4WD	2446	57	78	09.89-08.95	■	
2.8 D		Diesel	RWD	2779	61	83	08.95-08.00	■	
2.8 D (LH105, LH103, LH113) (3L)		Diesel	RWD	2779	61	83	08.89-08.00	■	
3.0 D (LH162, LH172, LH182)		Diesel	RWD	2986	65	88	08.98-08.04	■	
<b>HiAce IV / HiAce SBV ( __H1__ , __H2__ ) 08.95-</b>							<b>Van (LCVs-N1 Segment)</b>		
2.4 (RCH12, RCH22) (2RZ-E)	-12/98	Gasolina	RWD	2438	85	116	08.95-11.03	■	
2.4 4WD (RCH18, RCH28) (2RZ-E)		Gasolina	4WD	2438	85	116	08.95-04.98	■	
2.4 (RZH10) (2RZ-E)		Gasolina	RWD	2438	88	120	08.95-08.04	■	
2.7 (RCH13, RCH23) (3RZ-FE)	-12/01, vehicles with ABS	Gasolina	RWD	2694	105	143	04.98-06.05	■	
2.7 4WD (RCH19, RCH29) (3RZ-FE)		Gasolina	4WD	2694	106	144	07.98-06.05	■	
2.4 D (LXH12, LXH22) (2L)	vehicles with ABS	Diesel	RWD	2446	55	75	08.95-08.01	■	
2.4 D (LXH12, LXH22) (2L)	vehicles with ABS	Diesel	RWD	2446	58	79	08.95-08.01	■	
2.4 D (LXH12, LXH22) (2L)		Diesel	RWD	2446	61	83	08.95-08.01	■	
2.4 TD (LXH12, LXH22) (2L-T)	vehicles with ABS	Diesel	RWD	2446	66	90	08.95-08.01	■	
2.4 TD 4WD (LXH18, LXH28) (2L-T)		Diesel	4WD	2446	66	90	08.95-08.01	■	
2.5 D-4D (KLH12, KLH22) (2KD-FTV)	vehicles with ABS	Diesel	RWD	2494	65	88	08.01-08.06	■	
2.5 D-4D 4WD (KLH18, KLH28) (2KD-FTV)		Diesel	4WD	2494	65	88	08.01-08.04	■	
2.5 D-4D (KLH12, KLH22) (2KD-FTV)	vehicles with ABS	Diesel	RWD	2494	70	95	09.06-12.12	■	
2.5 D-4D (KLH12, KLH22) (2KD-FTV)	vehicles with ABS	Diesel	RWD	2494	75	102	08.01-08.06	■	
2.5 D-4D 4WD (KLH18, KLH28) (2KD-FTV)		Diesel	4WD	2494	75	102	08.01-08.06	■	
2.5 D-4D (KLH12, KLH22) (2KD-FTV)	vehicles with ABS	Diesel	RWD	2494	86	117	09.06-12.12	■	
2.5 D-4D 4WD (KLH28, KLH18) (2KD-FTV)		Diesel	4WD	2494	86	117	09.06-12.12	■	
<b>HiAce IV / QUANTUM ( __H1__ ) 08.87-12.04</b>							<b>Bus (Minibus-M2-Segment)</b>		
2.0 (RZH102, RZH112) (1RZ)		Gasolina	RWD	1998	74	101	08.89-04.98	■	
2.0 (RZH124)		Gasolina	RWD	1998	81	110	11.96-10.00	■	
2.4 i (RZH125) (2RZ-E)		Gasolina	RWD	2438	85	116	08.95-12.04	■	
2.4 (RZH183, RZH113, RZH115) (2RZ-E)		Gasolina	RWD	2438	88	120	08.89-08.03	■	
2.4 4WD (RZH103_, RZH109_, RZH113_, RZH115_) (2RZ-E)		Gasolina	4WD	2438	88	120	08.89-07.95	■	
2.7 4WD (RCH47)		Gasolina	4WD	2694	105	143	04.97-12.02	■	
3.4 (VCH10)		Gasolina	RWD	3378	131	178	08.95-08.01	■	
3.4 4WD (VCH16)		Gasolina	4WD	3378	131	178	08.95-08.01	■	
2.4 D (LH102) (2L)		Diesel	RWD	2446	55	75	08.89-08.95	■	
2.4 D 4WD (LH51_, LH61_, LH66_, LH71_, LH51R, LH61R,...) (2L)		Diesel	4WD	2446	55	75	08.87-08.95	■	
2.4 D (LH100, LH110, LH104, LH114) (2L)		Diesel	RWD	2446	57	78	08.89-12.04	■	
2.4 D 4WD (LH100, LH102, LH110, LH140)		Diesel	4WD	2446	57	78	09.89-08.95	■	
2.5 D-4D 4WD (KLH18_)		Diesel	4WD	2494	75	102	08.01-08.04	■	
3.0 TD (KCH40W) (1KZ-TE)		Diesel	RWD	2982	104	141	08.99-05.02	■	
3.0 D (LH174, LH184)		Diesel	RWD	2986	65	88	08.98-08.04	■	
<b>HiAce V / COMMUTER (TRH2__, KDH2__, LH2__, GDH2__) 08.04-</b>							<b>Bus (Minibus-M2-Segment)</b>		
2.0 (TRH200)		Gasolina	RWD	1998	98	133	08.04-	■	
2.7 (TRH223) (2TR-FE)	-12/06	Gasolina	RWD	2694	111	151	01.05-	■	
2.7 4WD (TRH219W) (2TR-FE)	-12/06	Gasolina	4WD	2694	111	151	01.05-	■	
2.5 D-4D 4WD (KDH205, KDH227, KDH225) (2KD-FTV)	-12/06	Diesel	4WD	2494	94	128	08.04-09.07	■	
3.0 D (LH202_, LH212_, LH222_, LH202R, LH212R, LH222R)	-12/06	Diesel	RWD	2986	65	88	01.05-	■	
<b>HiAce V / QUANTUM (TRH2__, KDH2__, LH2__, GDH2__) 06.04-</b>							<b>Van (LCVs-N1 Segment)</b>		
2.5 D-4D (2KD-FTV)	-12/06	Diesel	RWD	2494	70	95	09.06-	■	
2.5 D-4D (KDH200, KDH202, KDH212, KDH222) (2KD-FTV)		Diesel	RWD	2494	86	117	09.06-	■	

## LISTA DE APLICACIONES - BUYERS GUIDE

3.0 D (KDH200, KDH223)	-12/06	Diesel	RWD	2982	75	102	01.05-	■
3.0 D	-12/06	Diesel	RWD	2986	65	88	01.05-	■
<b>TOYOACE VII (_Y1_, _Y2_) 10.96-06.11</b>						<b>Platform/Chassis (LCVs-N1 Segment)</b>		
3.0 D (LY235_, LY235) (5L)		Diesel	RWD	2986	65	88	08.01-06.11	■
3.0 D		Diesel	RWD	2986	67	91	08.01-06.11	■