

LISTA DE APLICACIONES - BUYERS GUIDE

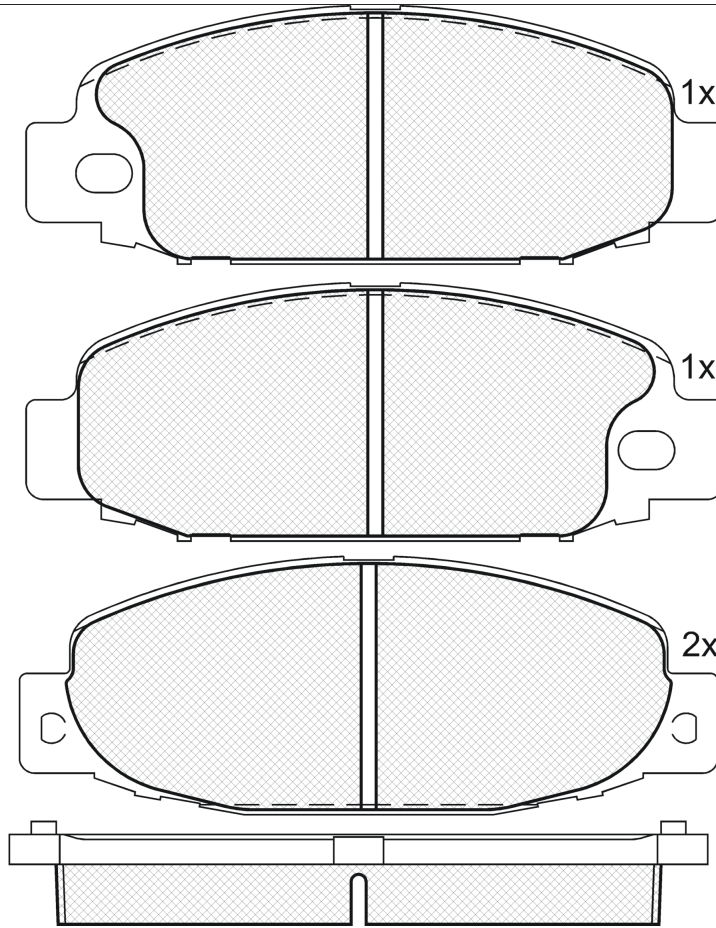
141207



Qty: 300

Weight: 1.615

O.E.M.	MAKE
MB 295 692	mitsubishi
MB 295 892	mitsubishi
MB 295 893	mitsubishi
MB 295 941	mitsubishi
MB 295 942	mitsubishi
MB 295 943	mitsubishi
MC 112 201	mitsubishi
MC 112 202	mitsubishi



141207



Sumitomo

140.2x51.8x18

MAKE
mitsubishi



Trac.	CC	Kw	CV
-------	----	----	----



Front / Rear

mitsubishi

								Dump Truck
Canter VI (FE5, FE6, FB5, FB6) 07.86-								
Canter 60 (4D34-2AT4)	-12/99	Diesel		3908	100	136	08.96-	■
Canter VI (FE5, FE6, FB5, FB6) 07.86-								Platform/Chassis
Canter 35 (4M400A)		Diesel		2835	69	94	08.96-12.99	■
Canter 35 (4M40-A)		Diesel		2835	69	94	08.96-12.99	■
Canter 60 (4D34-2AT4)	-12/99	Diesel		3908	100	136	08.96-	■
Canter VI (FB6_, FE5_, FE6_) 10.93-10.02								Platform/Chassis (LCVs-N1 Segment)
2.8 D	-12/99	Diesel	RWD	2835	69	94	10.96-07.01	■
3.9 TDi	-12/99	Diesel	RWD	3908	100	136	10.96-07.01	■
4.2 TD	-12/99	Diesel	RWD	4214	96	131	10.96-07.01	■
Fuso 07.11-								
2.8 D	01/94-	Diesel		2795			07.11-	■