


LISTA DE APLICACIONES - BUYERS GUIDE

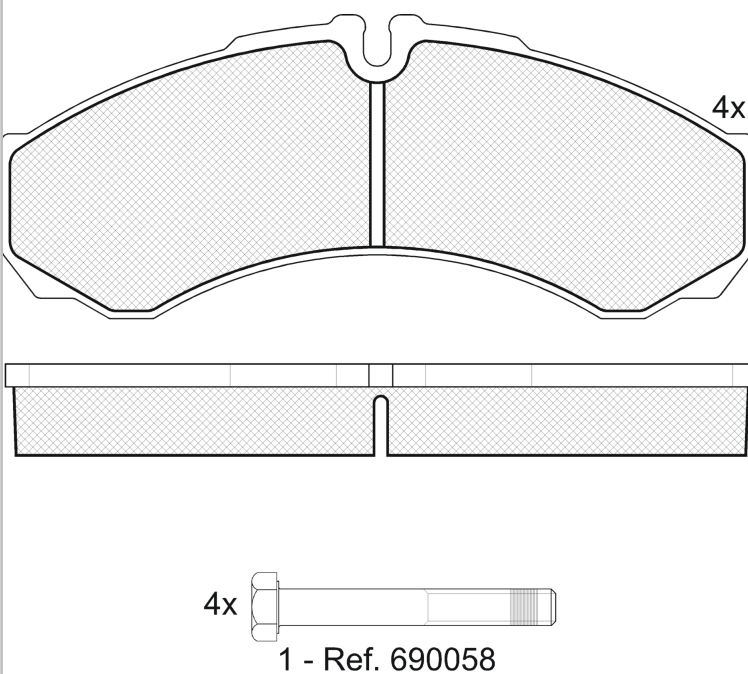
141208



8 424073 053916

Qty: 300 Weight: 2.405

O.E.M.	MAKE
190 6401	IVECO
190 9298-1	IVECO
299 2339	IVECO
299 5633	IVECO
299 5693	IVECO
299 6465	IVECO
299 6535	IVECO
424 708 46	IVECO
425 357 91	IVECO
425 481 94	IVECO
500 05556 1	IVECO
500 05556 2	IVECO
500 05556 5	IVECO
503 64370 2	IVECO
503 64388 6	IVECO
504 09378 0	IVECO
504 32918 6	IVECO




4x

1 - Ref. 690058

141208

E 9 90R-01111/118





Bremsbo

164.7x66.6x20

WVA
29121

MAKE
IVECO



Trac.	CC	Kw	CV		
					Front / Rear

IVECO									
09.11-02.14								Bus ()	
50C15		Diesel	RWD	2998	107	146	09.11-02.14	■	
35S17, 40C17, 45C17, 50C17		Diesel	RWD	2998	125	170	09.11-02.14	■	
NaturalPower 50C14		CNG	RWD	2998	100	136	09.11-02.14	■	
DAILY II 01.89-05.99								Bus (Minibus-M2-Segment)	
A 40-10 (95719111, 95719131, 95719311, 95719315,... (8140.23)		Diesel	RWD	2798	76	103	09.96-05.99	■	■
A 45-10 (95739111, 95739131, 95739311, 95739317,... (8140.23)		Diesel	RWD	2798	76	103	05.96-05.99	■	■
A 40-12 (95819311, 95819315, 95819317, 95819331) (8140.43.)		Diesel	RWD	2798	90	122	05.96-05.99	■	■
A 45-12 (95839211, 95839231, 95839311, 95839317,... (8140.43.)		Diesel	RWD	2798	90	122	05.96-05.99	■	■
DAILY II 01.89-05.99								Dump Truck (Volquete-N2 Segment)	
35-8 K (14930304, 14931104, 14931111, 14931115, 14931204... (8140.63)	-12/98	Diesel	RWD	2798	62	84	09.98-05.99	■	■
35-10 K (15030111, 15030211, 15030311, 15031111,... (8140.23)		Diesel	RWD	2798	76	103	01.97-05.99	■	■
49-10 K (15056204, 15056211, 15056304, 15056311) (8140.23)		Diesel	RWD	2798	76	103	05.96-05.99	■	■
49-12 K (8140.43.)		Diesel	RWD	2798	90	122	05.96-05.99	■	■
DAILY II 01.89-05.99								Platform/Chassis (LCVs-N1 Segment)	
30-8 (12910211, 12911111, 12911112, 12911117, 12911131,... (8140.07)	01/96-	Diesel	RWD	2499	55	75	01.92-08.98	■	■
30-8 (12910211, 12911111, 12911112, 12911117, 12911131,...	01/96-	Diesel	RWD	2499	55	75	01.92-08.98	■	■
30-8 (10011131, 10011132, 10011231, 10011232, 10011237,... (8140.67F.)	01/96-	Diesel	RWD	2499	60	82	01.92-08.98	■	■

LISTA DE APLICACIONES - BUYERS GUIDE

30-8 (12910211, 12911111, 12911112, 12911117, 12911131,... (8140.67F.))	01/96-	Diesel	RWD	2499	60	82	01.92-08.98	■	■	
30-8 (12910211, 12911111, 12911112, 12911117, 12911131,...	01/96-	Diesel	RWD	2499	60	82	01.92-08.98	■	■	
35-8 (12931102, 12931104, 12931111, 12931112, 12931117,... (8140.67F.))		Diesel	RWD	2499	60	82	01.89-08.98	■	■	
35-8 (14930304, 14931104, 14931111, 14931115, 14931204,... (8140.63))	-12/98	Diesel	RWD	2798	62	84	09.98-05.99	■	■	
35-10 (15030111, 15030211, 15030311, 15031111, 15031117,... (8140.23))		Diesel	RWD	2798	76	103	01.96-05.99	■	■	
49-10 (15050304, 15050404, 15050411, 15051204, 15051211,... (8140.23))		Diesel	RWD	2798	76	103	05.96-05.99	■	■	
35-12 (15130311, 15130411, 15131111, 15131204, 15131211,... (8140.43.))		Diesel	RWD	2798	90	122	05.96-05.99	■	■	
35-12 K (15130311, 15130411, 15131111, 15131204,... (8140.43.))		Diesel	RWD	2798	90	122	09.96-08.98	■	■	
49-12 (15150211, 15150311, 15150404, 15150411, 15151204,... (8140.43.))		Diesel	RWD	2798	90	122	05.96-05.99	■	■	
59-12 (15170211, 15170304, 15170311, 15170504, 15170511,... (8140.43.))		Diesel	RWD	2798	90	122	05.96-05.99	■	■	
DAILY II 01.89-08.09							Van (LCVs-N1 Segment)			
30-8 (12914111, 12914112, 12914117, 12914131, 12914137,... (8140.07))	01/96-	Diesel	RWD	2499	55	75	01.89-08.98	■	■	
30-8 (12914111, 12914112, 12914117, 12914131, 12914137,... (8140.07))	01/96-	Diesel	RWD	2499	55	75	01.89-08.98	■	■	
30-8	01/96-	Diesel	RWD	2499	60	82	01.89-08.98	■	■	
30-8 (12914111, 12914112, 12914117, 12914131, 12914137,... (8140.67F.))	01/96-	Diesel	RWD	2499	60	82	01.89-08.98	■	■	
30-8 (14914111, 14914117, 14914211, 14914217, 14915111,... (8140.67F.))	01/95-	Diesel	RWD	2499	60	82	01.89-08.98	■	■	
35-8 (12934104, 12934111, 12934112, 12934117, 12934124,... (8140.67F.))		Diesel	RWD	2499	60	82	01.91-08.98	■	■	
35-10 (12974212, 12974217, 13014111, 13014131, 13014204,... (8140.47R))		Diesel	RWD	2499	80	109	01.89-08.98	■	■	
35-8 (14934104, 14934111, 14934204, 14934205, 14934211,... (8140.63))	-12/98	Diesel	RWD	2798	62	84	09.98-05.99	■	■	
2.8 D		Diesel	RWD	2798	76	103	06.00-05.07	■	■	
35-10 (15034111, 15034204, 15034211, 15034215, 15034217,... (8140.23))		Diesel	RWD	2798	76	103	01.96-05.99	■	■	
40-10 4x4 (15214104, 15214111, 15214117, 15215111) (8140.23)		Diesel	4WD	2798	76	103	01.97-05.99	■	■	
49-10 (15054204, 15054211, 15054215, 15054217, 15054224,...		Diesel	RWD	2798	76	103	01.96-12.99	■	■	
2.8 D HM 4180		Diesel	RWD	2798	90	122	06.00-07.07	■	■	
35-12 (8140.43.)		Diesel	RWD	2798	90	122	02.95-05.99	■	■	
49-12 V (15154204, 15154211, 15154215, 15154217,... (8140.43.))		Diesel	RWD	2798	90	122	05.96-05.99	■	■	
59-12 V (15174404, 15174411, 15174415, 15174417) (8140.43.)		Diesel	RWD	2798	90	122	05.96-05.99	■	■	
DAILY III 05.99-05.06							Bus (Minibus-M2-Segment)			
40 C 11, 50 C 11 (8140.43C)		Diesel	RWD	2798	78	106	05.99-05.06	■	■	
35 S 13, 40 C 13, 50 C 13 (8140.43S)		Diesel	RWD	2798	92	125	05.99-05.06	■	■	
40 C 15, 50 C 15 (8140.43N)		Diesel	RWD	2798	107	146	05.99-05.06	■	■	
35 S 14, 50 C 14 (ATPA9FH2) (F1CE0481A)		Diesel	RWD	2998	100	136	01.04-05.06	■	■	
35 S 14, 50 C 14 (ATPA9FH2) (F1CE0481E)		Diesel	RWD	2998	100	136	01.04-05.06	■	■	
40 C 17, 50 C 17 (F1CE0481B)		Diesel	RWD	2998	122	166	01.04-05.06	■	■	
50 C 11 Natural Power (CNG) (8149.03)		CNG	RWD	2798	78	106	05.02-05.06	■	■	
DAILY III 03.98-10.09							Platform/Chassis (LCVs-N1 Segment)			
35 C 10 V , 35 S 10 V (AMJA14A1, AMJA64A1, AMJA65A1,... (F1AE0481A))		Diesel	RWD	2287	70	95	09.02-04.06	■	■	
40 C 10 (AEJB14A1) (F1AE0481A)		Diesel	RWD	2287	70	95	09.02-04.06	■	■	
35 C 12 , 35 S 12 (AEKA14A1, AEKA14AA, AEKA64A1,... (F1AE0481B))		Diesel	RWD	2287	85	116	09.02-04.06	■	■	

LISTA DE APLICACIONES - BUYERS GUIDE

35 C 14, 35 S 14 (F1AE0481M)		Diesel	RWD	2287	100	136	01.05-04.06	■	■	
35 S 9,35 C 9 (8140.63)		Diesel	RWD	2798	62	84	05.99-04.06	■	■	
35 C 9, 35 S 9 (8140.43R)		Diesel	RWD	2798	66	90	11.01-04.06	■	■	
35 S 11,35 C 11 (A2FC13AA, A6FBU4AB, A2NB14A1, A2ND13A1,... (8140.43B)		Diesel	RWD	2798	78	106	05.99-04.06	■	■	
35 S 11,35 C 11 (A2FC13AA, A6FBU4AB, A2NB14A1, A2ND13A1,... (8140.43C)		Diesel	RWD	2798	78	106	05.99-04.06	■	■	
50 C 11 (8140.43B)		Diesel	RWD	2798	78	106	05.99-04.06	■	■	
50 C 11 (8140.43C)		Diesel	RWD	2798	78	106	05.99-04.06	■	■	
35 S 13,35 C 13 (8140.43S)		Diesel	RWD	2798	92	125	05.99-04.06	■	■	
40 C 13 (8140.43S)		Diesel	RWD	2798	92	125	05.99-04.06	■	■	
50 C 13 (8140.43S)		Diesel	RWD	2798	92	125	05.99-04.06	■	■	
65 C 13 (8140.43.K)		Diesel	RWD	2798	103	140	07.99-04.06		■	
35C15 (8140.43N)		Diesel	RWD	2798	107	146	11.01-04.06	■	■	
40C15 (8140.43N)		Diesel	RWD	2798	107	146	11.01-04.06	■	■	
50C15 (8140.43N)		Diesel	RWD	2798	107	146	01.01-04.06	■	■	
65C15 (8140.43N)		Diesel	RWD	2798	107	146	11.01-04.06		■	
35 C 14 (F1CE0481A)		Diesel	RWD	2998	100	136	09.04-04.06	■	■	
35 C 14 (F1CE0481E)		Diesel	RWD	2998	100	136	09.04-04.06	■	■	
40 C 14 (F1CE0481A)		Diesel	RWD	2998	100	136	09.04-04.06	■	■	
50 C 14 (F1CE0481A)		Diesel	RWD	2998	100	136	09.04-04.06	■	■	
50 C 14 (F1CE0481E)		Diesel	RWD	2998	100	136	09.04-04.06	■	■	
65 C 14 (F1CE0481A)		Diesel	RWD	2998	100	136	09.04-04.06		■	
65 C 14 (F1CE0481E)		Diesel	RWD	2998	100	136	09.04-04.06		■	
35 C 17, 35 S 17 (F1CE0481B)		Diesel	RWD	2998	122	166	01.05-04.06	■	■	
40 C 17, 40 S 17 (F1CE0481B)		Diesel	RWD	2998	122	166	01.05-04.06	■	■	
50 C 17 (F1CE0481B)		Diesel	RWD	2998	122	166	09.04-04.06	■	■	
65 C 17 (F1CE0481B)		Diesel	RWD	2998	122	166	09.04-04.06		■	
50 C 11 Natural Power (CNG) (8149.03)		CNG	RWD	2798	78	106	05.99-04.06	■	■	
DAILY III 05.99-10.09							Van (LCVs-N1 Segment)			
35 S 10 (ANJA41A1, ANJA42A2, ANJA42AB, ANJA43A, ANJAV1A,... (F1AE0481A)	-12/06	Diesel	RWD	2287	70	95	09.02-07.07	■	■	
35 C 12 V, 35 S 12 V (AGKA43A2, AGKB43A2, AGKB46A2,... (F1AE0481B)	-12/06	Diesel	RWD	2287	85	116	09.02-07.07	■	■	
35 S 9 V,35 C 9 V (8140.63)	-12/06	Diesel	RWD	2798	62	84	05.99-07.07	■	■	
35 S 11 V,35 C 11 V (8140.43B)	-12/06	Diesel	RWD	2798	78	106	05.99-07.07	■	■	
35 S 11 V,35 C 11 V (8140.43C)	-12/06	Diesel	RWD	2798	78	106	05.99-07.07	■	■	
50 C 11 (8140.43B)	-12/06	Diesel	RWD	2798	78	106	05.99-07.07	■	■	
50 C 11 (8140.43C)	-12/06	Diesel	RWD	2798	78	106	05.99-07.07	■	■	
35 S 13 V,35 C 13 V (8140.43S)	-12/06	Diesel	RWD	2798	92	125	05.99-07.07	■	■	
40 C 13 (8140.43S)		Diesel	RWD	2798	92	125	05.99-04.06	■	■	
50 C 13 (8140.43S)	-12/06	Diesel	RWD	2798	92	125	05.99-07.07	■	■	
35 S 15 V, 35 C 15 V (A6HCV3B2, A6HBV4B2, A6HC41B2,... (8140.43N)		Diesel	RWD	2798	107	146	11.02-07.07	■		
35 S 15 V, 35 C 15 V (A6HCV3B2, A6HBV4B2, A6HC41B2,... (8140.43N)	-12/06	Diesel	RWD	2798	107	146	11.02-07.07		■	
40C15 (8140.43N)		Diesel	RWD	2798	107	146	11.01-04.06	■	■	
50C15 (8140.43N)		Diesel	RWD	2798	107	146	01.01-04.06	■	■	
65C15 (8140.43N)		Diesel	RWD	2798	107	146	11.01-04.06		■	
35 C 14 (F1CE0481A)		Diesel	RWD	2998	100	136	09.04-04.06	■	■	
35 C 14 (F1CE0481E)		Diesel	RWD	2998	100	136	09.04-04.06	■	■	
40 C 14 (F1CE0481A)		Diesel	RWD	2998	100	136	09.04-04.06	■	■	
45 C 14 (F1CE0481A)		Diesel	RWD	2998	100	136	07.99-04.06	■	■	
50 C 14 (F1CE0481A)		Diesel	RWD	2998	100	136	09.04-04.06	■	■	

LISTA DE APLICACIONES - BUYERS GUIDE

50 C 14 (F1CE0481E)		Diesel	RWD	2998	100	136	09.04-04.06	■	■
65 C 14 (F1CE0481A)		Diesel	RWD	2998	100	136	09.04-04.06		■
65 C 14 (F1CE0481E)		Diesel	RWD	2998	100	136	09.04-04.06		■
35 C 17, 35 S 17 (F1CE0481B)		Diesel	RWD	2998	122	166	01.05-04.06	■	■
40 C 17, 40 S 17 (F1CE0481B)		Diesel	RWD	2998	122	166	07.99-12.06	■	■
50 C 17 (F1CE0481B)		Diesel	RWD	2998	122	166	09.04-04.06	■	■
65 C 17 (F1CE0481B)		Diesel	RWD	2998	122	166	09.04-04.06		■
2.8 CNG (8149.03)		CNG	RWD	2798	78	106	05.99-07.07	■	■
DAILY IV 05.06-08.11					Dump Truck (Volquete-N2 Segment)				
40C14 K, 40C14 DK (F1CE3481L)		Diesel	RWD	2998	103	140	09.09-08.11		■
50C14 K, 50C14 DK (F1CE3481L)		Diesel	RWD	2998	103	140	09.09-08.11		■
50C15 (F1CE0481F)		Diesel	RWD	2998	107	146	05.06-08.11		■
40C17 K, 40C17 DK (F1CE3481C)		Diesel	RWD	2998	125	170	07.07-08.11		■
50C17 K, 50C17 DK (F1CE3481C)		Diesel	RWD	2998	125	170	07.07-08.11		■
50C18 (F1CE0481H)		Diesel	RWD	2998	130	176	05.06-08.11		■
DAILY IV 05.06-03.12					Platform/Chassis (LCVs-N1 Segment)				
40C10 (F1AE0481F)		Diesel	RWD	2287	70	95	05.06-08.11		■
35C11, 35S11, 35S11 D, 35S11 /P (F1AE0481U)		Diesel	RWD	2287	78	106	07.07-08.11		■
40C11, 40C11 D (F1AE0481U)		Diesel	RWD	2287	78	106	07.07-08.11		■
40C12 (F1AE0481G)		Diesel	RWD	2287	85	116	05.06-08.11		■
40C13, 40C13 /P (F1AE0481V)		Diesel	RWD	2287	93	126	07.07-08.11		■
40C14, 40C14 /P (F1CE3481L)		Diesel	RWD	2998	103	140	09.09-08.11		■
45C14, 45C14 /P (F1CE3481L)		Diesel	RWD	2998	103	140	09.09-08.11		■
50C14, 50C14 /P (F1CE3481L)		Diesel	RWD	2998	103	140	09.09-08.11		■
40C15 (F1CE0481F)		Diesel	RWD	2998	107	146	05.06-08.11		■
45C15 (F1CE0481F)		Diesel	RWD	2998	107	146	05.06-08.11		■
50C15 (F1CE0481F)		Diesel	RWD	2998	107	146	05.06-08.11		■
35S17 W, 35S17 WD (F1CE3481C)		Diesel	4WD	2998	125	170	07.07-08.11	■	
40C17, 40C17 /P (F1CE3481C)		Diesel	RWD	2998	125	170	07.07-08.11		■
45C17, 45C17 /P (F1CE3481C)		Diesel	RWD	2998	125	170	07.07-08.11		■
50C17, 50C17 /P (F1CE3481C)		Diesel	RWD	2998	125	170	07.07-08.11		■
55S17 W, 55S17 WD (F1CE3481C)		Diesel	4WD	2998	125	170	07.07-08.11	■	
35S18W (F1CE0481H)		Diesel	4WD	2998	130	177	06.06-08.11		
40C18 (F1CE0481H)		Diesel	RWD	2998	130	176	05.06-08.11		■
45C18, 45C18 /P, 45C18 D, 45C18 D/P (F1CE0481H)		Diesel	RWD	2998	130	176	05.06-08.11		■
50C18 (F1CE0481H)		Diesel	RWD	2998	130	176	05.06-08.11		■
55S18W (F1CE0481H)		Diesel	4WD	2998	130	177	06.06-08.11	■	
40C14 G, 40C14 G/P (F1CE0441A)		CNG	RWD	2998	100	136	07.07-08.11		■
50C14 G, 50C14 G/P, 50C14 GD, 50C14 GD/P (F1CE0441A)		CNG	RWD	2998	100	136	07.07-08.11		■
DAILY IV 05.06-03.12					Van (LCVs-N1 Segment)				
40C10 V (F1AE0481F)		Diesel	RWD	2287	70	95	05.06-08.11		■
40C12 V, 40C14 V/P (F1AE0481G)		Diesel	RWD	2287	85	116	05.06-08.11		■
40C13 V, 40C13 V/P (F1AE0481V)		Diesel	RWD	2287	93	126	07.07-08.11		■
40C14 V, 40C14 V/P (F1CE3481L)		Diesel	RWD	2998	103	140	09.09-08.11		■
50C14 V, 50C14 V/P (F1CE3481L)		Diesel	RWD	2998	103	140	09.09-08.11		■
40C15 V, 40C15 V/P (F1CE0481F)		Diesel	RWD	2998	107	146	05.06-08.11		■
45C15 V (F1CE0481F)		Diesel	RWD	2998	107	146	05.06-08.11		■
50C15 V, 50C15 V/P (F1CE0481F)		Diesel	RWD	2998	107	146	05.06-08.11		■
40C17 V, 40C17 V/P (F1CE3481C)		Diesel	RWD	2998	125	170	07.07-08.11		■

LISTA DE APLICACIONES - BUYERS GUIDE

45C17 V, 45C17 V/P (F1CE3481C)	Diesel	RWD	2998	125	170	07.07-08.11	■
50C17 V, 50C17 V/P (F1CE3481C)	Diesel	RWD	2998	125	170	07.07-08.11	■
55C17 (F1CE3481C)	Diesel	RWD	2998	125	170	08.07-03.12	■
40C18 V, 40C18 V/P (F1CE0481H)	Diesel	RWD	2998	130	176	05.06-08.11	■
45C18 (F1CE0481H)	Diesel	RWD	2998	130	176	05.06-08.11	■
50C18 V, 50C18 V/P (F1CE0481H)	Diesel	RWD	2998	130	176	05.06-08.11	■
40C14 GV, 40C14 GV/P (F1CE0441A)	CNG	RWD	2998	100	136	07.07-08.11	■
50C14 GV, 50C14 GV/P (F1CE0441A)	CNG	RWD	2998	100	136	07.07-08.11	■
DAILY V 09.11-02.14							Dump Truck (Volquete-N2 Segment)
35C11K, 35S11DKP (F1AE3481A)	Diesel	RWD	2287	78	106	09.11-02.14	■
35C13K, 35C13DKP (F1AE3481B)	Diesel	RWD	2287	93	126	09.11-02.14	■
35C15K, 35S15DKP, 50C15K, 60C15K, 65C15DK, 70C15K (F1CE3481B)	Diesel	RWD	2998	107	146	09.11-02.14	■
35C17K, 35S17DKP, 50C17K, 65C17DK 70C17K (F1CE3481C)	Diesel	RWD	2998	125	170	09.11-02.14	■
35C17K, 35S17DKP, 50C17K, 65C17DK 70C17K (F1CE3481K)	Diesel	RWD	2998	125	170	09.11-02.14	■
DAILY V 09.11-02.14							Platform/Chassis (LCVs-N1 Segment)
50C80E Electric	Eléctrico	RWD		80	109	09.11-02.14	■
26L11, 29L11, 29S11, 35C11D, 35S11, 40C11 (F1AE3481A)	Diesel	RWD	2287	78	106	09.11-02.14	■
29S13, 29L13, 29L13D, 35S13, 35C13D, 40C13 (F1AE3481B)	Diesel	RWD	2287	93	126	09.11-02.14	■
35C15, 35S15, 40C15, 45C15, 50C15, 60C15, 65C15, 70C15 (F1CE3481B)	Diesel	RWD	2998	107	146	09.11-02.14	■
35C15, 35S15, 40C15, 45C15, 50C15, 60C15, 65C15, 70C15 (F1CE3481J)	Diesel	RWD	2998	107	146	09.11-02.14	■
35C17, 35S17, 40C17, 45C17, 50C17, 60C17, 65C17, 70C17 (F1CE3481C)	Diesel	RWD	2998	125	170	09.11-02.14	■
35C17, 35S17, 40C17, 45C17, 50C17, 60C17, 65C17, 70C17 (F1CE3481K)	Diesel	RWD	2998	125	170	09.11-02.14	■
55S17W 4x4 (F1CE3481C)	Diesel	4WD	2998	125	170	09.11-02.14	■
35C21, 35S21, 40C21, 45C21, 50C21, 60C21, 65C21, 70C21 (F1CE3481D)	Diesel	RWD	2998	150	205	09.11-02.14	■
NaturalPower 35S14, 35C14, 40C14, 50C14, 65C14, 70C14 (F1CE0441A)	CNG	RWD	2998	100	136	09.11-02.14	■
DAILY V 09.11-02.14							Van (LCVs-N1 Segment)
29S11, 29L11, 35C11, 35S11, 40C11 (F1AE3481A)	Diesel	RWD	2287	78	106	09.11-02.14	■
29S13, 29L13, 35C13, 35S13, 40C13, 40S13 (F1AE3481B)	Diesel	RWD	2287	93	126	09.11-02.14	■
35C15 V, 40C15 V, 45C15 V, 50C15 V, 60C15 V, 65C15 V (F1CE3481B)	Diesel	RWD	2998	107	146	09.11-02.14	■
35C15 V, 40C15 V, 45C15 V, 50C15 V, 60C15 V, 65C15 V (F1CE3481J)	Diesel	RWD	2998	107	146	09.11-02.14	■
35C17, 35S17, 40C17, 45C17, 50C17, 60C17, 65C17, 70C17 (F1CE3481C)	Diesel	RWD	2998	125	170	09.11-02.14	■
35C17, 35S17, 40C17, 45C17, 50C17, 60C17, 65C17, 70C17 (F1CE3481K)	Diesel	RWD	2998	125	170	09.11-02.14	■
35C21 V, 35S21 V, 40C21 V, 45C21 V, 50C21 V (F1CE3481D)	Diesel	RWD	2998	150	204	09.11-02.14	■
NaturalPower 35S14, 35C14, 40C14, 50C14, 65C14, 70C14 (F1CE0441A)	CNG	RWD	2998	100	136	09.11-02.14	■
DAILY VI (40C_, 65C_, 70C_, 35C_, 35S_, 50C_, 33S_) 03.14-							Platform/Chassis (LCVs-N1 Segment)
45C80E, 50C80E	Eléctrico	RWD		80	109	10.15-	■
eDAILY 35S14E, 38S, 42S, 42C, 50C, 60C, 72C	Eléctrico	RWD		140	190	12.22-	■
33S16, 35S16, 35C16, 40C16, 42S16, 50C16 (F1AGL411G)	Diesel	RWD	2287	115	156	04.16-	■
35S14, 35S15, 35C15, 40S14, 40C15, 50C15, 60C5, 65C15,... (F1CE3481J)	Diesel	RWD	2998	107	146	03.14-	■
35S14, 35S15, 35C15, 40S14, 40C15, 50C15, 60C5, 65C15,... (F1CFL411E)	Diesel	RWD	2998	107	146	03.14-	■

LISTA DE APLICACIONES - BUYERS GUIDE

35S14, 35S15, 35C15, 40S14, 40C15, 50C15, 60C5, 65C15,... (F1CFL411J)	Diesel	RWD	2998	107	146	03.14-	■
35S15, 55S15, 70S15, 70C15	Diesel	4WD	2998	107	146	03.14-	■
35S15, 35C15, 40C15, 50C15, 60C15, 65C15, 70C15	Diesel	RWD	2998	110	150	04.16-	■
35S16, 35C16, 40C16, 42S16, 50C16, 60C16, 65C16, 70C16	Diesel	RWD	2998	118	160	04.19-	
35S17, 35C17, 40C17, 45S17, 45C17, 50C17, 60C17, 65C17,... (F1CFL411F)	Diesel	RWD	2998	125	170	03.14-	■
35S17, 35C17, 40C17, 45S17, 45C17, 50C17, 60C17, 65C17,... (F1CFL411H)	Diesel	RWD	2998	125	170	03.14-	■
35S17, 55S17 4x4 (F1CFL411F)	Diesel	4WD	2998	125	170	03.14-	■
35S18, 42S18, 35C18, 38S18, 40C18, 50C18, 60C18, 65C18,...	Diesel	RWD	2998	129	175	07.21-	
35S18, 35C18, 40C18, 45C18, 50C18, 60C18, 65C18, 70C18 (F1CFL411W)	Diesel	RWD	2998	132	180	04.16-	■
35S18, 35C18, 40C18, 45C18, 50C18, 60C18, 65C18, 70C18 (F1CGL411B)	Diesel	RWD	2998	132	180	04.16-	■
35S18, 55S18, 55C18, 70S18, 70C18 4x4 (F1CFL411W)	Diesel	4WD	2998	132	180	04.16-	■
35S18, 55S18, 55C18, 70S18, 70C18 4x4 (F1CGL411B)	Diesel	4WD	2998	132	180	04.16-	■
35S21, 35C21, 40C21, 45C21, 50C21, 60C21, 65C21, 70C21 (F1CFL411G)	Diesel	RWD	2998	150	204	03.14-	■
35S21, 35C21, 40C21, 45C21, 50C21, 60C21, 65C21, 70C21 (F1CGL411C)	Diesel	RWD	2998	150	204	03.14-	■
35C21, 35S21, 40C21, 42S21, 50C21, 60C21, 65C21, 70C21	Diesel	RWD	2998	152	207	07.21-	
35C21, 35S21, 40C21, 50C21, 60C21, 65C21, 70C21	Diesel	RWD	2998	155	211	04.19-	
NaturalPower 35S14, 35C14, 40C14, 50C14, 65C14, 70C14 (F1CFA401A)	CNG	RWD	2998	100	136	03.14-	■
DAILY VI 03.14-	Van (LCVs-N1 Segment)						
45C/E, 50C/E	Eléctrico	RWD		80	109	09.16-	■
50C80E	Eléctrico	RWD		80	109	10.15-	■
eDAILY 35S14E, 38S, 42S, 42C, 50C, 60C, 72C	Eléctrico	RWD		140	190	12.22-	
33S16, 35S16, 35C16, 38S16, 40C16, 42S16, 50C16 (F1AGL411G)	Diesel	RWD	2287	115	156	04.16-	
35S15, 35C15, 40C15, 45C15, 50C15, 65C15, 70C15 (F1CE3481J)	Diesel	RWD	2998	107	146	03.14-	■
35S15, 35C15, 40C15, 45C15, 50C15, 65C15, 70C15 (F1CFL411E)	Diesel	RWD	2998	107	146	03.14-	■
35S15, 35C15, 40C15, 45C15, 50C15, 65C15, 70C15 (F1CFL411J)	Diesel	RWD	2998	107	146	03.14-	■
40C15, 50C15, 65C15	Diesel	RWD	2998	107	146	03.14-04.16	■
35S15, 35C15, 40C15, 50C15, 60C15, 65C15, 70C15	Diesel	RWD	2998	110	150	04.16-	■
35S15, 35C15, 40C15, 50C15, 60C15, 65C15, 70C15	Diesel	RWD	2998	110	150	04.16-	■
35S16, 35C16, 40C16, 50C16, 70C16	Diesel	RWD	2998	118	160	07.21-	
35S17, 35C17, 40C17, 50C17, 55C17, 60C17, 65C17, 70C17 (F1CFL411F)	Diesel	RWD	2998	125	170	03.14-	■
35S17, 35C17, 40C17, 50C17, 55C17, 60C17, 65C17, 70C17 (F1CFL411H)	Diesel	RWD	2998	125	170	03.14-	■
40C17, 50C17, 65C17	Diesel	RWD	2998	125	170	03.14-04.16	■
35S18, 35C18, 40C18, 42S18, 50C18, 60C18, 65C18, 70C18	Diesel	RWD	2998	129	175	07.21-	
35S18, 35C18, 40C18, 50C18, 60C18, 65C18, 70C18	Diesel	RWD	2998	132	180	04.16-	■
35S18, 35C18, 40C18, 50C18, 60C18, 65C18, 70C18	Diesel	RWD	2998	132	180	04.16-	■
35S21, 35C21, 40C21, 50C21, 60C21, 65C21, 70C21 (F1CFL411G)	Diesel	RWD	2998	150	204	03.14-	■
35S21, 35C21, 40C21, 50C21, 60C21, 65C21, 70C21 (F1CGL411C)	Diesel	RWD	2998	150	204	03.14-	■
35S21, 35C21, 40C21, 42S21, 50C21, 60C21, 65C21, 70C21	Diesel	RWD	2998	152	207	07.21-	

LISTA DE APLICACIONES - BUYERS GUIDE

35S21, 35C21, 40C21, 50C21, 60C21, 65C21, 70C21	Diesel	RWD	2998	155	211	04.19-		
NaturalPower 35S14, 35C14, 40C14, 50C14, 65C14, 70C14 (F1CFA401A)	CNG	RWD	2998	100	136	03.14-	■	
NaturalPower 35S14, 35C14, 40C14, 50C14, 65C14, 70C14 (F1CFA401B)	CNG	RWD	2998	100	136	03.14-	■	
NaturalPower 35S14, 35C14, 40C14, 50C14, 65C14, 70C14	CNG	RWD	2998	100	136	04.16-	■	
DAILY VI CITYS 03.14-				Bus (Minibus-M2-Segment)				
50C80E	Eléctrico	RWD		80	109	04.16-		
40C15, 50C15, 60C15 (F1CE3481J)	Diesel	RWD	2998	107	146	03.14-	■	
40C15, 50C15, 60C15 (F1CFL411E)	Diesel	RWD	2998	107	146	03.14-	■	
40C15, 50C15, 60C15	Diesel	RWD	2998	110	150	04.16-		
40C17, 50C17, 60C17 (F1CFL411F)	Diesel	RWD	2998	125	170	03.14-	■	
50C18, 60C18	Diesel	RWD	2998	129	175	07.21-		
40C18, 50C18, 60C18	Diesel	RWD	2998	132	180	04.16-		
50C21, 60C21	Diesel	RWD	2998	152	207	07.21-		
50C21, 60C21	Diesel	RWD	2998	155	211	04.19-		
NaturalPower 40C14, 50C14, 60C14	CNG	RWD	2998	100	136	03.14-	■	
DAILY VI LINE 06.14-				Bus (Minibus-M2-Segment)				
40C15, 50C15, 60C15 (F1CE3481J)	Diesel	RWD	2998	107	146	06.14-10.16	■	
40C15, 50C15, 60C15 (F1CFL411E)	Diesel	RWD	2998	107	146	06.14-10.16	■	
40C17, 50C17, 60C17 (F1CFL411F)	Diesel	RWD	2998	125	170	06.14-10.16	■	
50C14 Natural Power (F1CFA401A)	CNG	RWD	2998	100	136	06.14-	■	
DAILY VI TOURYS 06.14-				Bus (Minibus-M2-Segment)				
50C17, 65C17 (F1CFL411F)	Diesel	RWD	2998	125	170	06.14-10.16	■	
POWER DAILY 12.07-				Bus (Minibus-M2-Segment)				
A36.10	Diesel	RWD	2798	74	101	12.07-	■	■
A40.12, A42.12, A50.12	Diesel	RWD	2798	90	122	12.07-	■	■
A36.13, A39.13, A42.13, A50.13	Diesel	RWD	2798	92	125	12.07-	■	■
A39.15, A42.15, A50.15	Diesel	RWD	2998	107	146	12.07-	■	■
POWER DAILY 12.07-				Platform/Chassis (LCVs-N1 Segment)				
42.12, 50.12	Diesel	RWD	2798	90	122	12.07-	■	■
POWER DAILY 12.07-				Van (LCVs-N1 Segment)				
36.10	Diesel	RWD	2798	74	101	12.07-	■	■
42.12, 50.12	Diesel	RWD	2798	90	122	12.07-	■	■
36.13, 39.13, 42.13, 50.13	Diesel	RWD	2798	92	125	12.07-	■	■
39.15, 42.15, 50.15	Diesel	RWD	2998	107	146	12.07-	■	■