

LISTA DE APLICACIONES - BUYERS GUIDE

141266

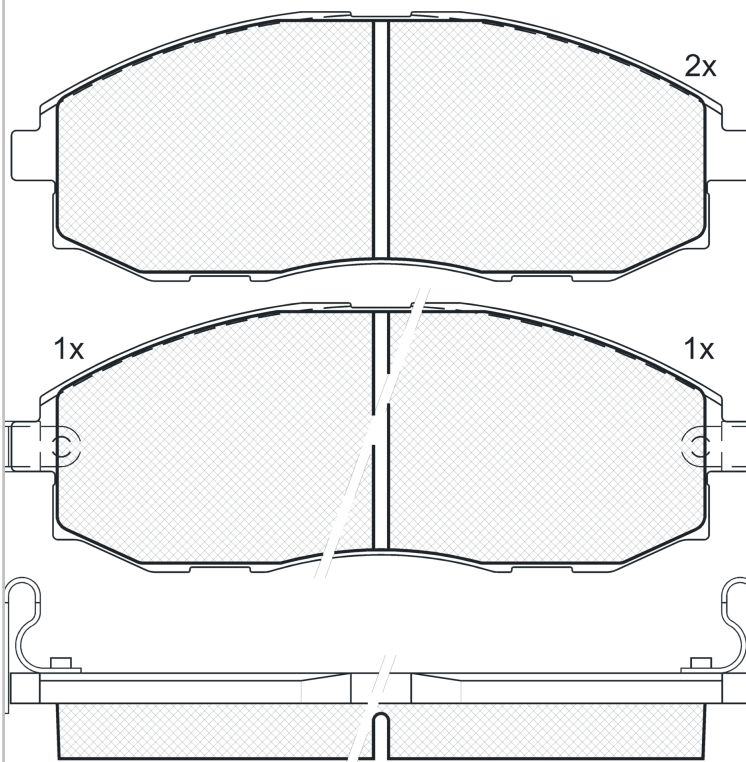


8 424073 058652

Qty: 639

Weight: 1.785

O.E.M.	MAKE
58101-4AA00	HYUNDAI
58101-4AA10	HYUNDAI
58101-4AA11	HYUNDAI
58101-4AA30	HYUNDAI
58101-4AA31	HYUNDAI
58101-4AA32	JAC
58101-4AA60	HYUNDAI
58101-4AA61	HYUNDAI
58101-4AA80	HYUNDAI
58101-4AA81	KIA



141266

E1 90R-01217/315



Mando

147.05x53.55x17

WVA

23536

23537

23538

FMSI

D1712-8937

MAKE

HYUNDAI



Trac.	CC	Kw	CV
-------	----	----	----



Front / Rear

HYUNDAI

H-1 06.00-10.06							Platform/Chassis (LCVs-N1 Segment)		
2.5 D		Diesel	RWD	2476	57	78	06.00-04.04		
2.5 D (D4BH)		Diesel	RWD	2476	73	99	06.00-10.06		
2.5 CRDi (D4CB)	01/03-	Diesel	RWD	2497	103	140	12.02-10.05		
H-1 / H-200 (A1) 10.97-04.08							Van (LCVs-N1 Segment)		
2.4 (G4CS)		Gasolina	RWD	2351	82	112	03.00-04.04		
2.4 (G4JS)		Gasolina	RWD	2351	107	145	11.01-04.04		
2.5 D		Diesel	RWD	2476	57	78	10.97-04.04		
2.5 TD (D4BF)		Diesel	RWD	2476	59	80	03.00-09.00		
2.5 TD		Diesel	RWD	2476	63	86	10.98-04.08		
2.5 TD (D4BH)		Diesel	RWD	2476	73	99	03.00-10.06		
2.5 TD (D4BH)		Diesel	RWD	2476	74	101	10.01-08.07		
2.5 CRDi (D4CB)		Diesel	RWD	2497	81	110	07.01-04.04		
2.5 CRDi (D4CB)		Diesel	RWD	2497	103	140	08.03-12.07		
2.6 CRDi (D4BB)		Diesel	RWD	2607	79	107	10.97-12.07		
H-1 / H-200 / SATELLITE 01.94-							Van (LCVs-N1 Segment)		
2.4	01/97-	Gasolina	FWD	2395	62	85	01.94-		
2.5 TD GL, GLS, SVX	01/99-	Diesel	RWD	2495	56	76	01.94-		
2.5 D	01/97-	Diesel	RWD	2495	57	77	01.94-		
2.5 D	01/97-	Diesel	RWD	2495	59	80	01.94-		
H-1 / STAREX / H 200 / SATELLITE (A1) 06.97-12.07							Bus (Minibus-M2-Segment)		
2.4 (G4CS)		Gasolina	RWD	2351	82	112	06.97-04.04		
2.4 4WD (G4CS)		Gasolina	4WD	2351	82	112	02.98-04.04		

LISTA DE APLICACIONES - BUYERS GUIDE

2.4 4WD (G4JS)		Gasolina	4WD	2351	99	135	06.01-04.04	■
2.4 (G4JS)		Gasolina	RWD	2351	101	137	02.03-04.04	■
2.4 (G4JS)		Gasolina	RWD	2351	107	145	11.01-04.04	■
2.6 LPI (D4BB)		Diesel/a utogas (LPG)	RWD	2607	63	86	10.97-04.04	■
2.5 D (D4BF)		Diesel	RWD	2476	57	78	10.97-04.04	■
2.5 D (D4BH)		Diesel	RWD	2476	57	78	10.97-04.04	■
2.5 TD (D4BF)		Diesel	RWD	2476	59	80	06.97-04.04	■
2.5 TD 4WD (D4BF)		Diesel	4WD	2476	59	80	02.98-04.04	■
2.5 TD		Diesel	RWD	2476	63	85	10.97-08.02	■
2.5 TCI (D4BH)	-12/04	Diesel	RWD	2476	73	99	10.97-12.07	■
2.5 TD 4WD (D4BH)		Diesel	4WD	2476	73	99	03.01-04.04	■
2.5 TCI (D4BH)		Diesel	RWD	2476	74	101	05.04-12.07	■
2.5 TD 4WD (D4BH)		Diesel	4WD	2476	74	101	11.01-04.04	■
2.5 CRDi (D4CB)		Diesel	RWD	2497	103	140	12.02-09.07	■
2.5 CRDi 4WD (D4CB)		Diesel	4WD	2497	103	140	12.02-04.04	■
2.5 CRDi (D4CB)		Diesel	RWD	2497	120	163	12.02-04.04	■
2.6 TDiC (D4BB)		Diesel	RWD	2607	63	86	10.97-04.04	■
H100 / PORTER 05.96-10.04						Platform/Chassis (LCVs-N1 Segment)		
2.6 TD (D4BB)		Diesel	RWD	2607	63	86	05.96-12.97	■
H-100 / PORTER 07.93-10.06						Platform/Chassis (LCVs-N1 Segment)		
2.6 TD (D4BB)		Diesel	RWD	2607	63	86	04.96-12.97	■
H-100 II / BAKKI / HR / PORTER (HR) 01.04-						Platform/Chassis (LCVs-N1 Segment)		
2.5 TD (4D56-T)		Diesel	RWD	2477	74	101	11.06-	■
2.5 TCI		Diesel	RWD	2497	71	97	01.04-	■
2.5 CRDi (D4CB)		Diesel	RWD	2497	96	130	01.04-	■
2.6 D (D4BB)		Diesel	RWD	2607	58	79	01.04-	■