

LISTA DE APLICACIONES - BUYERS GUIDE

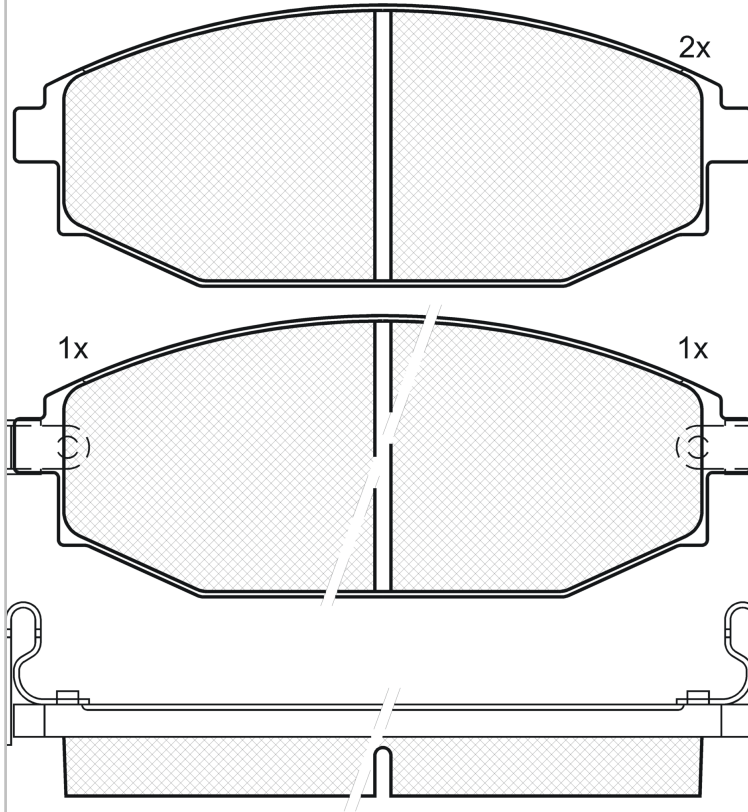
141272



Qty: 639

Weight: 1.605

O.E.M.	MAKE
58101-M1A00	HYUNDAI
MC838-359	MITSUBISHI
MC838-515	MITSUBISHI
S2 000 100	MITSUBISHI
S2000-100	HYUNDAI
SB000-027	HYUNDAI
SB000-100	HYUNDAI



141272



90R-01109/130



Sangshin

137.1x52.35x17

WVA	FMSI
23518	D2361-9591
23519	
23520	

MAKE
GALLOPER
HYUNDAI
MITSUBISHI



Trac.	CC	Kw	CV
-------	----	----	----



GALLOPER

02.97-12.03

Closed Off-Road Vehicle ()

2.5 TD (KNE1CP)	Diesel	4WD	2476	65	88	11.97-08.02	■
2.5 TD intercooler (KNE1CP, KPE1CP)	Diesel	4WD	2476	73	99	11.97-08.02	■

HYUNDAI

GALLOPER 08.91-07.98

Closed Off-Road Vehicle (Compact SUV-J Segment)

3.0 V6 (6G72)	01/97-	Gasolina	4WD	2972	104	141	08.91-07.98	■
2.5 TD (4D56-T)	01/97-	Diesel	4WD	2477	62	85	08.91-07.98	■
2.5 TD intercooler (4D56-T)	01/97-	Diesel	4WD	2477	70	95	08.91-07.98	■

GALLOPER II (JK-01) 02.97-12.03

Closed Off-Road Vehicle (Compact SUV-J Segment)

3.0 V6 (G6AT)	-12/02	Gasolina	4WD	2972	104	141	08.98-12.03	■
3.0 AWD		Gasolina	4WD	2972	118	160	05.99-09.01	■
2.5 TD (D4BA)	-12/02	Diesel	4WD	2476	65	88	08.98-12.03	■
2.5 TD (D4BF)	-12/02	Diesel	4WD	2476	65	88	08.98-12.03	■
2.5 TD intercooler (D4BH)	-12/02	Diesel	4WD	2476	73	99	08.98-12.03	■
2.5 TCi D (D4BH)	-12/02	Diesel	4WD	2476	77	105	08.98-12.03	■
2.6 TD A las 4 ruedas (D4BB)	-12/02	Diesel	4WD	2607	63	86	08.98-06.03	■

MITSUBISHI

GALLOPER (JK-01) 09.98-12.03

Closed Off-Road Vehicle (Compact SUV-J Segment)

3.0 V6 (G6AT)	-12/02	Gasolina	4WD	2972	104	141	09.98-12.03	■
2.5 TD (D4BF)	-12/02	Diesel	4WD	2476	65	88	09.98-12.03	■
2.5 TD intercooler (D4BH)	-12/02	Diesel	4WD	2476	73	99	09.98-12.03	■