

LISTA DE APLICACIONES - BUYERS GUIDE

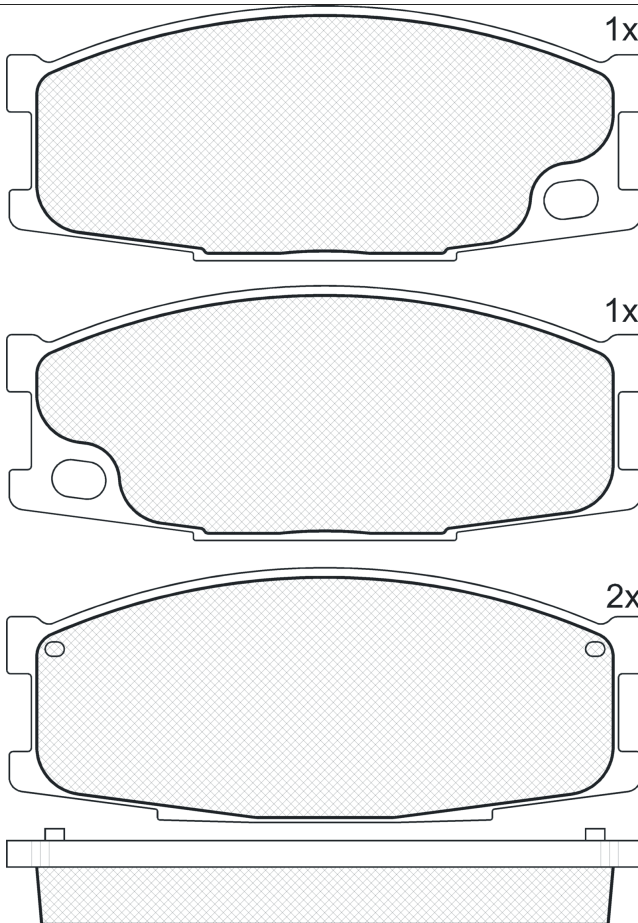
141504



Qty: 639

Weight: 1.544

O.E.M.	MAKE
MC 112 192	mitsubishi
MC 838 358	mitsubishi
MC 838 486	mitsubishi
MC 838 487	mitsubishi
MC 894 588	mitsubishi
MC 894 589	mitsubishi
MK 499 873	mitsubishi
MQ 908 290	mitsubishi
MQ 908 292	mitsubishi



141504



E1 90R-01217/340

Sumitomo

133x53.2x17.3

WVA
23501
23941
23942

MAKE
DAF
MITSUBISHI
TALBOT



Trac.	CC	Kw	CV		
Front / Rear					

DAF

55 10.68-09.72							Estate (Compact car-C Segment)		
1.1 (DBB 110E)		Gasolina	RWD	1108	33	45	10.68-09.72		■

55 10.67-09.72							Saloon (Compact car-C Segment)		
1.1 MARATHON (110F)		Gasolina	RWD	1108	40	54	12.71-09.72		■

MITSUBISHI

Canter VI (FE5, FE6, FB5, FB6) 07.86-							Dump Truck			
Canter 60 (4D31T)	01/00-	Diesel		3298	86	117	07.86-		■	
Canter 60 (4D34-2AT4)	01/00-	Diesel		3908	100	136	08.96-		■	

Canter VI (FE5, FE6, FB5, FB6) 07.86-							Platform/Chassis			
Canter 35 (4M400A)	01/99-	Diesel		2835	69	94	08.96-12.99		■	
Canter 35 (4M40-A)	01/99-	Diesel		2835	69	94	08.96-12.99		■	
Canter 35 (4M402AT)		Diesel		2835	85	116	05.96-07.01		■	
Canter 35 (4M40-2AT)		Diesel		2835	85	116	05.96-07.01		■	
Canter 35 (4M420AT)	-12/02	Diesel		2977	92	125	11.00-07.05		■	
Canter 35 (4M42-0AT)	-12/02	Diesel		2977	92	125	11.00-07.05		■	
Canter 60 (4D31T)	01/00-	Diesel		3298	86	117	07.86-		■	
Canter 60 (4D34-2AT4)	01/00-	Diesel		3908	100	136	08.96-		■	
Canter 75 (4D34-2AT4)		Diesel		3908	100	136	10.97-		■	

Canter VI (FB6_, FE5_, FE6_) 10.93-10.02							Platform/Chassis (LCVs-N1 Segment)			
2.8 D	01/00-	Diesel	RWD	2835	69	94	10.96-07.01		■	
3.9 TDi	01/00-	Diesel	RWD	3908	100	136	10.96-07.01		■	
4.2 TD	01/99-	Diesel	RWD	4214	96	131	10.96-07.01		■	

LISTA DE APLICACIONES - BUYERS GUIDE

TALBOT

SIMCA 1301 Tourisme 08.66-11.76				Estate (Large family car-D Segment)			
1.3	Gasolina	RWD	1290	40	54	08.66-07.72	■