

LISTA DE APLICACIONES - BUYERS GUIDE

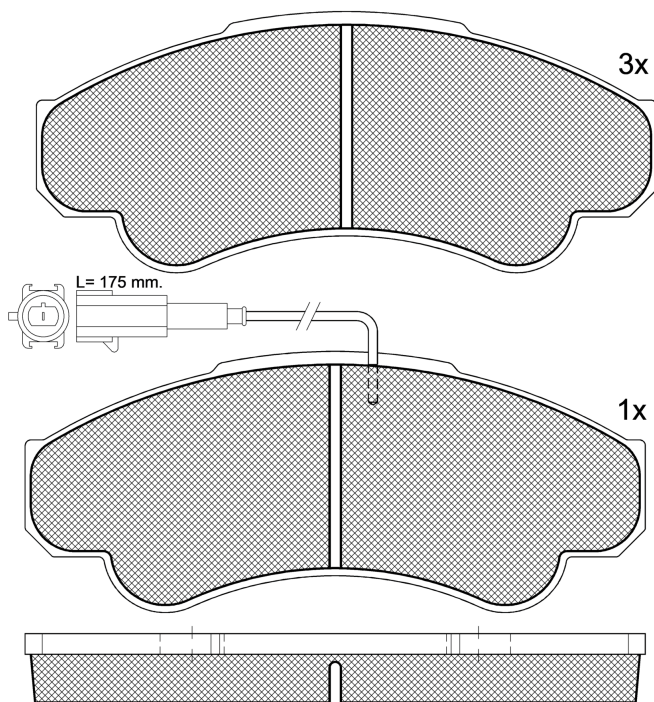
141522



Qty: 639

Weight: 2.360

O.E.M.	MAKE
4252.44	PEUGEOT
4252.45	CITROËN
4254.59	CITROËN
4254.C2	CITROËN
7 175 297 8	FIAT
7 177 007 0	FIAT
7 177 252 5	FIAT
7 736 221 6	FIAT
7 736 485 9	FIAT
86 60 004 748	RENAULT
86 71 016 728	RENAULT
9 949 362	FIAT
9 949 517	FIAT



141522

E1 90R-01217/342



Brembo

164.8x69.35x18.3

WVA

23858
23919
23920

MAKE

CITROËN
FIAT
PEUGEOT



Trac.	CC	Kw	CV
-------	----	----	----



Front / Rear

CITROËN

JUMPER II / RELAY (244, Z_) 04.02-

Bus (Minibus-M2-Segment)

Model	Fuel	Trac.	CC	Kw	CV	Date	Status
2.0 (XU10J2)	Gasolina	FWD	1998	81	110	04.02-06.06	■
2.0 bivalent (XU10J2)	Gasol./Gas (CNG)	FWD	1998	81	110	02.03-06.06	■
2.0 HDi (RHV (DW10UTD))	Diesel	FWD	1997	62	84	04.02-06.06	■
2.2 HDi (4HY (DW12UTED))	Diesel	FWD	2179	74	101	04.02-06.06	■
2.8 HDi (8140.43S)	Diesel	FWD	2798	94	128	04.02-06.06	■
2.8 HDi A las 4 ruedas (8140.43S)	Diesel	4WD	2798	94	128	04.02-06.06	■

JUMPER II / RELAY (230) 03.94-04.02

Platform/Chassis (LCVs-N1 Segment)

2.0 HDi (RHV (DW10UTD))	Diesel	FWD	1997	62	84	04.02-06.06	■
2.2 HDi (4HY (DW12UTED))	Diesel	FWD	2179	74	101	04.02-06.06	■
2.2 HDi (4HY (DW12UTED))	Diesel	FWD	2179	74	101	02.02-06.06	■
2.8 D (8140.63 (F28D))	Diesel	FWD	2798	64	87	01.99-02.02	■
2.8 HDi (8140.43S)	Diesel	FWD	2798	94	128	04.02-06.06	■
2.8 HDi 4x4 (F28TDCR)	Diesel	4WD	2798	94	128	02.02-06.06	■
2.8 HDi (8140.43N)	Diesel	FWD	2798	107	146	05.04-06.06	■

JUMPER II / RELAY (230L) 02.94-08.02

Van (LCVs-N1 Segment)

2.0 (XU10J2)	Gasolina	FWD	1998	81	110	04.02-06.06	■
2.0 bivalent (XU10J2)	Gasol./Gas (CNG)	FWD	1998	81	110	02.03-06.06	■
2.0 HDi (RHV (DW10UTD))	Diesel	FWD	1997	62	84	04.02-06.06	■
2.2 HDi (4HY (DW12UTED))	Diesel	FWD	2179	74	101	04.02-06.06	■
2.8 D (8140.63 (F28D))	Diesel	FWD	2798	64	87	01.99-02.02	■

LISTA DE APLICACIONES - BUYERS GUIDE

2.8 HDI (8140.43S)		Diesel	FWD	2798	94	128	04.02-06.06	■
2.8 HDi 4x4 (8140.43S)		Diesel	4WD	2798	94	128	04.02-06.06	■
2.8 HDI (8140.43N)		Diesel	FWD	2798	107	146	04.04-06.06	■
FIAT								
DUCATO II (230_) 03.94-05.05					Bus (Minibus-M2-Segment)			
2.0 (RFL)		Gasolina	FWD	1998	81	110	12.01-07.06	■
2.0 4x4 (RFL)		Gasolina	4WD	1998	81	110	05.02-07.06	■
2.0 JTD (RHV)		Diesel	FWD	1997	62	84	12.01-07.06	■
2.3 JTD (F1AE0481C)		Diesel	FWD	2286	81	110	12.01-07.06	■
2.8 JTD (8140.43S)		Diesel	FWD	2798	94	128	11.00-04.02	■
2.8 JTD (8140.43S)	-12/07	Diesel	FWD	2798	94	128	12.01-	■
2.8 JTD 4x4 (8140.43S)		Diesel	4WD	2798	94	128	12.01-07.06	■
2.8 TD (8140.43)		Diesel	FWD	2799	90	122	11.03-07.06	■
2.8 TD 4x4 (8140.43)		Diesel	4WD	2799	90	122	11.03-07.06	■
2.8 JTD (8140.43N)		Diesel	FWD	2800	107	145	04.04-07.06	■
DUCATO II (244_) 12.01-					Platform/Chassis (LCVs-N1 Segment)			
2.0 JTD (RHV)		Diesel	FWD	1997	62	84	12.01-07.06	■
2.3 JTD (F1AE0481C)		Diesel	FWD	2286	81	110	12.01-07.06	■
2.8 JTD (8140.43S)		Diesel	FWD	2798	94	128	12.01-07.06	■
2.8 JTD 4x4 (8140.43S)		Diesel	4WD	2798	94	128	12.01-07.06	■
2.8 JTD (8140.43)		Diesel	FWD	2799	90	122	11.03-07.06	■
2.8 JTD 4x4		Diesel	4WD	2799	90	122	11.03-07.06	■
2.8 JTD Power (8140.43N)		Diesel	FWD	2800	107	146	04.04-07.06	■
DUCATO II (230_) 03.94-05.05					Van (LCVs-N1 Segment)			
2.0 (RFL)		Gasolina	FWD	1998	81	110	12.01-07.06	■
2.0 4x4 (RFL)		Gasolina	4WD	1998	81	110	05.02-07.06	■
2.0 Bipower (RFL)		Gasol./Gas (CNG)	FWD	1998	81	110	11.02-07.06	■
2.0 JTD (RHV)		Diesel	FWD	1997	62	84	12.01-07.06	■
2.3 JTD (F1AE0481C)		Diesel	FWD	2286	81	110	12.01-07.06	■
2.8 JTD (8140.43S)	-12/07	Diesel	FWD	2798	94	128	12.01-12.11	■
2.8 JTD 4x4 (8140.43S)		Diesel	4WD	2798	94	128	11.00-04.02	■
2.8 JTD 4x4 (8140.43S)		Diesel	4WD	2798	94	128	12.01-07.06	■
2.8 TD (8140.43)		Diesel	FWD	2799	90	122	12.01-07.06	■
2.8 TD		Diesel	RWD	2799	90	122	11.03-07.06	■
2.8 JTD Power (8140.43N)		Diesel	FWD	2800	107	146	04.04-07.06	■
DUCATO III (250_) 07.06-					Bus (Minibus-M2-Segment)			
115 Multijet 2,0 D (250 A1.000)		Diesel	FWD	1956	85	116	06.11-	■
115 Multijet 2,0 D (250 A2.000)		Diesel	FWD	1956	85	116	06.11-	■
110 Multijet 2,3 D (F1AE3481G)		Diesel	FWD	2287	82	111	05.14-	■
130 Multijet 2,3 D (F1AE0481N)		Diesel	FWD	2287	96	131	01.07-	■
130 Multijet 2,3 D (F1AE3481D)		Diesel	FWD	2287	96	131	01.07-	■
130 Multijet 2,3 D (F1AGL411D)		Diesel	FWD	2287	96	131	01.07-	■
150 Multijet 2,3 D (F1AE3481E)		Diesel	FWD	2287	109	148	06.11-	■
150 Multijet 2,3 D (F1AGL411A)		Diesel	FWD	2287	110	150	04.15-	■
150 Multijet 2,3 D (F1AGL411C)		Diesel	FWD	2287	110	150	04.15-	■
180 Multijet 3,0 D (F1CE3481E)		Diesel	FWD	2999	130	177	06.11-	■
140 Natural Power (F1CE0441A)		CNG	FWD	2999	100	136	04.09-	■
140 Natural Power (F1CFA401A)		CNG	FWD	2999	100	136	04.09-	■

LISTA DE APLICACIONES - BUYERS GUIDE

DUCATO III (250_) 07.06-						Platform/Chassis (LCVs-N1 Segment)			
115 Multijet 2,0 D (250 A1.000)		Diesel	FWD	1956	85	116	06.11-	■	
115 Multijet 2,0 D (250 A2.000)		Diesel	FWD	1956	85	116	06.11-	■	
110 Multijet 2,3 D (F1AE3481G)		Diesel	FWD	2287	82	111	08.06-	■	
120 Multijet 2,3 D (F1AE0481D)		Diesel	FWD	2287	88	120	07.06-	■	
120 Multijet 2,3 D (F1AGL4114)		Diesel	FWD	2287	88	120	07.06-	■	
130 Multijet 2,3 D (F1AE0481N)		Diesel	FWD	2287	96	131	08.06-	■	
130 Multijet 2,3 D (F1AE3481D)		Diesel	FWD	2287	96	131	08.06-	■	
130 Multijet 2,3 D (F1AGL411D)		Diesel	FWD	2287	96	131	08.06-	■	
150 Multijet 2,3 D (F1AE3481E)		Diesel	FWD	2287	109	148	06.11-	■	
150 Multijet 2,3 D (F1AGL411C)		Diesel	FWD	2287	110	150	12.15-	■	
180 Multijet 2,3 D (F1AGL4111)		Diesel	FWD	2287	130	177	12.15-	■	
180 Multijet 2,3 D (F1AGL411B)		Diesel	FWD	2287	130	177	12.15-	■	
180 Multijet 3,0 D (F1CE3481E)		Diesel	FWD	2999	130	177	06.11-	■	
140 Natural Power (F1CE0441A)		CNG	FWD	2999	100	136	04.09-	■	
140 Natural Power (F1CFA401A)		CNG	FWD	2999	100	136	04.09-	■	

DUCATO III (250_) 07.06-						Van (LCVs-N1 Segment)			
115 Multijet 2,0 D (250 A1.000)		Diesel	FWD	1956	85	116	06.11-	■	
115 Multijet 2,0 D (250 A2.000)		Diesel	FWD	1956	85	116	06.11-	■	
110 Multijet 2,3 D (F1AE3481G)		Diesel	FWD	2287	82	111	05.14-	■	
120 Multijet 2,3 D (F1AE0481D)		Diesel	FWD	2287	88	120	07.06-	■	
120 Multijet 2,3 D (F1AGL4114)		Diesel	FWD	2287	88	120	07.06-	■	
130 Multijet 2,3 D (F1AE0481N)		Diesel	FWD	2287	96	131	08.06-	■	
130 Multijet 2,3 D (F1AE3481D)		Diesel	FWD	2287	96	131	08.06-	■	
130 Multijet 2,3 D (F1AGL411D)		Diesel	FWD	2287	96	131	08.06-	■	
150 Multijet 2,3 D (F1AE3481E)		Diesel	FWD	2287	109	148	06.11-	■	
150 Multijet 2,3 D (F1AGL411A)		Diesel	FWD	2287	110	150	12.15-	■	
150 Multijet 2,3 D (F1AGL411C)		Diesel	FWD	2287	110	150	12.15-	■	
180 Multijet 2,3 D (F1AGL4111)		Diesel	FWD	2287	130	177	12.15-	■	
180 Multijet 2,3 D (F1AGL411B)		Diesel	FWD	2287	130	177	12.15-	■	
180 Multijet 3,0 D (F1CE3481E)		Diesel	FWD	2999	130	177	06.11-	■	
140 Natural Power (F1CE0441A)		CNG	FWD	2999	100	136	04.09-	■	
140 Natural Power (F1CFA401A)		CNG	FWD	2999	100	136	04.09-	■	

PEUGEOT

BOXER II (230P) 03.94-12.09						Bus (Minibus-M2-Segment)			
2.0 (RFL (XU10J2U))	01/04-	Gasolina	FWD	1998	81	110	12.01-06.06	■	
2.0 HDi (RHV (DW10TD))	01/04-	Diesel	FWD	1997	62	84	12.01-06.06	■	
2.0 HDi (RHV (DW10UTD))	01/04-	Diesel	FWD	1997	62	84	12.01-06.06	■	
2.2 HDi (4HY (DW12UTED))	01/04-	Diesel	FWD	2179	74	101	12.01-06.06	■	
2.5 DT		Diesel	FWD	2499	62	84	10.97-11.01	■	
2.8 D (8140.63 (F28D))	ch- 16194400, Kg. 1800	Diesel	FWD	2798	64	87	01.99-02.02	■	
2.8 HDI (8140.43S (F28DTCR))	ch- 16194400, Kg. 1800	Diesel	FWD	2798	93	126	10.00-11.01	■	
2.8 HDI (8140.43S (F28DTCR))	01/04-	Diesel	FWD	2798	94	128	12.01-06.06	■	
2.8 HDi 4x4 (8140.43S (F28DTCR))	ch- 16194400, Kg. 1800	Diesel	4WD	2798	94	128	10.00-04.02	■	
2.8 HDi 4x4 (8140.43S (F28DTCR))	01/04-	Diesel	4WD	2798	94	128	12.01-06.06	■	
2.8 HDI (8140.43N)		Diesel	FWD	2798	107	145	04.04-06.06	■	

BOXER II (ZCT_) 03.94-04.02						Platform/Chassis (LCVs-N1 Segment)			
2.0 (RFL (XU10J2U))		Gasolina	FWD	1998	81	110	12.01-04.02	■	
2.0 HDi (RHV (DW10TD))		Diesel	FWD	1997	62	84	12.01-06.06	■	

LISTA DE APLICACIONES - BUYERS GUIDE

2.0 HDi (RHV (DW10UTD))		Diesel	FWD	1997	62	84	12.01-06.06	■
2.2 HDi (4HY (DW12UTED))	Weig. 3500	Diesel	FWD	2179	74	101	12.01-06.06	■
2.8 D (8140.63 (F28D))	ch- 16194400, Kg. 1800	Diesel	FWD	2798	64	87	01.99-02.02	■
2.8 HDi (8140.43S (F28DTCR))	ch- 16194400, Kg. 1800	Diesel	FWD	2798	93	126	10.00-11.01	■
2.8 HDi (8140.43S (F28DTCR))		Diesel	FWD	2798	94	128	12.01-06.06	■
2.8 HDi 4x4 (8140.43S (F28DTCR))		Diesel	4WD	2798	94	128	12.01-06.06	■
2.8 HDi (8140.43N)		Diesel	FWD	2798	107	146	04.04-06.06	■
BOXER II (230L) 03.94-08.06						Van (LCVs-N1 Segment)		
2.0 (RFL (XU10J2U))	01/04-	Gasolina	FWD	1998	81	110	12.01-06.06	■
2.0 HDi (RHV (DW10TD))	01/04-	Diesel	FWD	1997	62	84	04.02-06.06	■
2.0 HDi (RHV (DW10UTD))	01/04-	Diesel	FWD	1997	62	84	04.02-06.06	■
2.2 HDi (4HY (DW12UTED))	01/04-	Diesel	FWD	2179	74	101	12.01-06.06	■
2.8 D (8140.63 (F28D))	ch- 16194400, Kg. 1800	Diesel	FWD	2798	64	87	01.99-02.02	■
2.8 HDi (8140.43S (F28DTCR))	ch- 16194400, Kg. 1800	Diesel	FWD	2798	93	126	10.00-11.01	■
2.8 HDi (8140.43S (F28DTCR))	Weig. 3500	Diesel	FWD	2798	93	126	09.05-09.09	■
2.8 HDi (8140.43S (F28DTCR))	01/04-	Diesel	FWD	2798	94	128	12.01-06.06	■
2.8 HDi 4x4 (8140.43S (F28DTCR))	ch- 16194400, Kg. 1800	Diesel	4WD	2798	94	128	10.00-04.02	■
2.8 HDi 4x4 (8140.43S (F28DTCR))	01/04-	Diesel	4WD	2798	94	128	12.01-06.06	■
2.8 HDi (8140.43N)		Diesel	FWD	2798	107	146	04.04-06.06	■
BOXER III / MANAGER 04.06-						Van (LCVs-N1 Segment)		
2.8 HDi	Weig. 3500	Diesel	RWD	2798	93	127	04.06-09.09	■