

LISTA DE APLICACIONES - BUYERS GUIDE

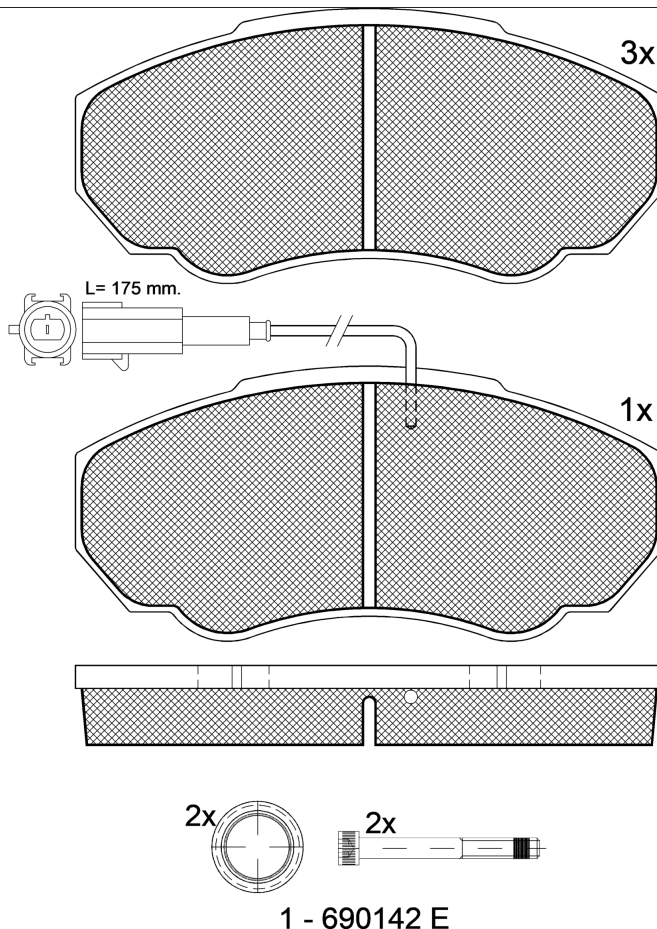
141523-066



Qty: 639

Weight: 2.153

O.E.M.	MAKE
4252.42	PEUGEOT
4252.43	CITROËN
4254.58	CITROËN
7 175 297 9	FIAT
7 177 007 4	FIAT
7 177 252 6	FIAT
7 736 221 9	FIAT
7 736 486 2	FIAT
86 60 004 749	RENAULT
86 71 016 729	RENAULT
9 949 409	FIAT
9 949 482	FIAT
9 949 516	FIAT



1 - 690142 E

141523-066



90R-01109/627



Brembo

140.6x65.9x19

WVA	FMSI
23859	D1198-8318
23917	
23918	

MAKE
CITROËN
FIAT
PEUGEOT



Trac.	CC	Kw	CV
-------	----	----	----



Front / Rear

CITROËN

JUMPER II / RELAY (230P) 02.94-04.02

Bus (Minibus-M2-Segment)

Model	Trac.	CC	Kw	CV	Period	Icon
2.0 (XU10J2)	FWD	1998	81	110	04.02-06.06	■
2.0 bivalent (XU10J2)	FWD	Gasol./Gas (CNG)	1998	81	110 02.03-06.06	■
2.0 HDi (RHV (DW10UTD))	FWD	1997	62	84	04.02-06.06	■
2.2 HDi (4HY (DW12UTED))	FWD	2179	74	101	04.02-06.06	■
2.8 HDi (8140.43S)	FWD	2798	94	128	09.00-04.02	■
2.8 HDi (8140.43S)	FWD	2798	94	128	04.02-06.06	■
2.8 HDi A las 4 ruedas (8140.43S)	4WD	2798	94	128	04.02-06.06	■

JUMPER II / RELAY (244) 02.02-

Platform/Chassis (LCVs-N1 Segment)

Model	Trac.	CC	Kw	CV	Period	Icon
2.0 HDi (RHV (DW10UTD))	FWD	1997	62	84	04.02-06.06	■
2.2 HDi (4HY (DW12UTED))	FWD	2179	74	101	04.02-06.06	■
2.2 HDi (4HY (DW12UTED))	FWD	2179	74	101	02.02-06.06	■
2.8 HDi (8140.43S)	FWD	2798	94	128	04.02-06.06	■
2.8 HDi 4x4 (F28TDCR)	4WD	2798	94	128	02.02-06.06	■
2.8 HDi (8140.43N)	FWD	2798	107	146	05.04-06.06	■

JUMPER II / RELAY (230L) 02.94-08.02

Van (LCVs-N1 Segment)

Model	Trac.	CC	Kw	CV	Period	Icon
2.0 (XU10J2)	FWD	1998	81	110	04.02-06.06	■
2.0 bivalent (XU10J2)	FWD	Gasol./Gas (CNG)	1998	81	110 02.03-06.06	■
2.0 HDi (RHV (DW10TD))	FWD	1997	62	84	11.01-04.02	■
2.0 HDi (RHV (DW10UTD))	FWD	1997	62	84	04.02-06.06	■
2.2 HDi (4HY (DW12UTED))	FWD	2179	74	101	04.02-06.06	■

LISTA DE APLICACIONES - BUYERS GUIDE

2.5 TDI (THX (DJ5TED))		Diesel	FWD	2446	79	107	12.96-11.00	■
2.8 HDI (8140.43S)		Diesel	FWD	2798	94	128	04.02-06.06	■
2.8 HDi 4x4 (8140.43S)		Diesel	4WD	2798	94	128	04.02-06.06	■
2.8 HDI (8140.43N)		Diesel	FWD	2798	107	146	04.04-06.06	■
FIAT								
DUCATO II (230_) 03.94-05.05						Bus (Minibus-M2-Segment)		
2.0 (RFL)		Gasolina	FWD	1998	81	110	12.01-07.06	■
2.0 4x4 (RFL)		Gasolina	4WD	1998	81	110	05.02-07.06	■
2.0 LPG (RFL)		Gasol./Gas (LPG)	FWD	1998	71	97	11.02-07.06	■
2.0 Bipower (RFL)		Gasol./Gas (CNG)	FWD	1998	81	110	11.02-07.06	■
1.9 TD (DHX)		Diesel	FWD	1905	66	90	04.98-04.02	■
1.9 TD (DHX (XUD9TF/L))		Diesel	FWD	1905	66	90	04.98-04.02	■
2.0 JTD (RHV)		Diesel	FWD	1997	62	84	10.01-04.02	■
2.0 JTD (RHV)		Diesel	FWD	1997	62	84	12.01-07.06	■
2.3 JTD (F1AE0481C)		Diesel	FWD	2286	81	110	12.01-07.06	■
2.8 JTD (8140.43S)		Diesel	FWD	2798	94	128	11.00-04.02	■
2.8 JTD (8140.43S)	-12/07	Diesel	FWD	2798	94	128	12.01-	■
2.8 JTD 4x4 (8140.43S)		Diesel	4WD	2798	94	128	11.00-04.02	■
2.8 JTD 4x4 (8140.43S)		Diesel	4WD	2798	94	128	12.01-07.06	■
2.8 TD (8140.43)		Diesel	FWD	2799	90	122	11.03-07.06	■
2.8 TD 4x4 (8140.43)		Diesel	4WD	2799	90	122	11.03-07.06	■
2.8 D (8140.63)		Diesel	FWD	2800	64	87	02.98-04.02	■
2.8 TDI 4x4 (8140.43)		Diesel	4WD	2800	90	122	07.99-04.02	■
2.8 JTD (8140.43N)		Diesel	FWD	2800	107	145	04.04-07.06	■
DUCATO II (230_) 03.94-04.02						Platform/Chassis (LCVs-N1 Segment)		
2.0 (RFL)		Gasolina	FWD	1998	81	110	04.02-07.06	■
1.9 TD (DHX)		Diesel	FWD	1905	66	90	04.98-04.02	■
1.9 TD (DHX (XUD9TF/L))		Diesel	FWD	1905	66	90	04.98-04.02	■
2.0 JTD (RHV)		Diesel	FWD	1997	62	84	07.01-04.02	■
2.0 JTD (RHV)		Diesel	FWD	1997	62	84	12.01-07.06	■
2.3 JTD (F1AE0481C)		Diesel	FWD	2286	81	110	12.01-07.06	■
2.8 JTD (8140.43S)		Diesel	FWD	2798	94	128	11.00-04.02	■
2.8 JTD (8140.43S)		Diesel	FWD	2798	94	128	12.01-07.06	■
2.8 JTD 4x4 (8140.43S)		Diesel	4WD	2798	94	128	10.01-04.02	■
2.8 JTD 4x4 (8140.43S)		Diesel	4WD	2798	94	128	12.01-07.06	■
2.8 JTD (8140.43)		Diesel	FWD	2799	90	122	11.03-07.06	■
2.8 JTD 4x4		Diesel	4WD	2799	90	122	11.03-07.06	■
2.8 JTD Power (8140.43N)		Diesel	FWD	2800	107	146	04.04-07.06	■
DUCATO II (230_) 03.94-05.05						Van (LCVs-N1 Segment)		
2.0 (RFL)		Gasolina	FWD	1998	81	110	12.01-07.06	■
2.0 4x4 (RFL)		Gasolina	4WD	1998	81	110	05.02-07.06	■
2.0 LPG (RFL)		Gasol./Gas (LPG)	FWD	1998	71	97	11.02-07.06	■
2.0 Bipower (RFL)		Gasol./Gas (CNG)	FWD	1998	81	110	11.02-07.06	■
1.9 TD (DHX)		Diesel	FWD	1905	66	90	04.98-04.02	■
1.9 TD (DHX (XUD9TF/L))		Diesel	FWD	1905	66	90	04.98-04.02	■
2.0 JTD (RHV)		Diesel	FWD	1997	62	84	10.01-04.02	■
2.0 JTD (RHV)		Diesel	FWD	1997	62	84	12.01-07.06	■

LISTA DE APLICACIONES - BUYERS GUIDE

2.3 JTD (F1AE0481C)		Diesel	FWD	2286	81	110	12.01-07.06	■	
2.8 JTD (8140.43S)		Diesel	FWD	2798	94	128	11.00-04.02	■	
2.8 JTD (8140.43S)	-12/07	Diesel	FWD	2798	94	128	12.01-12.11	■	
2.8 JTD 4x4 (8140.43S)		Diesel	4WD	2798	94	128	11.00-04.02	■	
2.8 JTD 4x4 (8140.43S)		Diesel	4WD	2798	94	128	12.01-07.06	■	
2.8 TD (8140.43)		Diesel	FWD	2799	90	122	12.01-07.06	■	
2.8 TD		Diesel	RWD	2799	90	122	11.03-07.06	■	
2.8 D (8140.63)		Diesel	FWD	2800	64	87	05.98-04.02	■	
2.8 JTD Power (8140.43N)		Diesel	FWD	2800	107	146	04.04-07.06	■	
DUCATO III (250_) 07.06-							Bus (Minibus-M2-Segment)		
120 Multijet 2,3 D (F1AE0481D)		Diesel	FWD	2287	88	120	07.06-10.13	■	
130 Multijet 2,3 D (F1AE0481N)		Diesel	FWD	2287	96	131	01.07-	■	
130 Multijet 2,3 D (F1AE3481D)		Diesel	FWD	2287	96	131	01.07-	■	
130 Multijet 2,3 D (F1AGL411D)		Diesel	FWD	2287	96	131	01.07-	■	
DUCATO III (250_) 07.06-							Platform/Chassis (LCVs-N1 Segment)		
120 Multijet 2,3 D (F1AE0481D)		Diesel	FWD	2287	88	120	07.06-	■	
120 Multijet 2,3 D (F1AGL4114)		Diesel	FWD	2287	88	120	07.06-	■	
PEUGEOT									
BOXER II (230P) 03.94-12.09							Bus (Minibus-M2-Segment)		
2.0 (RFL (XU10J2U))	01/04-	Gasolina	FWD	1998	81	110	12.01-06.06	■	
2.0 BiFuel		Gasol./Gas (LPG)	FWD	1998	81	110	12.01-06.06	■	
2.0 HDi (RHV (DW10TD))	01/04-	Diesel	FWD	1997	62	84	12.01-06.06	■	
2.0 HDi (RHV (DW10UTD))	01/04-	Diesel	FWD	1997	62	84	12.01-06.06	■	
2.2 HDi (4HY (DW12UTED))	01/04-	Diesel	FWD	2179	74	101	12.01-06.06	■	
2.8 D (8140.63 (F28D))	ch- 16204256, Eq.V_ 1000-1400 kg.	Diesel	FWD	2798	64	87	01.99-02.02	■	
2.8 HDi (8140.43S (F28DTCR))	ch- 16204256, Eq.V_ 1000-1400 kg.	Diesel	FWD	2798	93	126	10.00-11.01	■	
2.8 HDi (8140.43S (F28DTCR))	01/04-	Diesel	FWD	2798	94	128	12.01-06.06	■	
2.8 HDi 4x4 (8140.43S (F28DTCR))	ch- 16204256, Kg. 1800, Eq.V_ 1000-1400 kg.	Diesel	4WD	2798	94	128	10.00-04.02	■	
2.8 HDi 4x4 (8140.43S (F28DTCR))	01/04-	Diesel	4WD	2798	94	128	12.01-06.06	■	
2.8 HDi (8140.43N)		Diesel	FWD	2798	107	145	04.04-06.06	■	
BOXER II (ZCT_) 03.94-04.02							Platform/Chassis (LCVs-N1 Segment)		
2.0 (RFL (XU10J2U))		Gasolina	FWD	1998	81	110	12.01-04.02	■	
2.0 BiFuel		Gasol./Gas (LPG)	FWD	1998	81	110	12.01-06.06	■	
2.0 HDi (RHV (DW10TD))		Diesel	FWD	1997	62	84	12.01-06.06	■	
2.0 HDi (RHV (DW10UTD))		Diesel	FWD	1997	62	84	12.01-06.06	■	
2.2 HDi (4HY (DW12UTED))		Diesel	FWD	2179	74	101	12.01-06.06	■	
2.8 D (8140.63 (F28D))	ch- 16204256, Eq.V_ 1000-1400 kg.	Diesel	FWD	2798	64	87	01.99-02.02	■	
2.8 HDi (8140.43S (F28DTCR))	ch- 16204256, Eq.V_ 1000-1400 kg.	Diesel	FWD	2798	93	126	10.00-11.01	■	
2.8 HDi (8140.43S (F28DTCR))		Diesel	FWD	2798	94	128	12.01-06.06	■	
2.8 HDi 4x4 (8140.43S (F28DTCR))		Diesel	4WD	2798	94	128	12.01-06.06	■	
2.8 HDi (8140.43N)		Diesel	FWD	2798	107	146	04.04-06.06	■	
BOXER II (230L) 03.94-08.06							Van (LCVs-N1 Segment)		
2.0 (RFL (XU10J2U))	01/04-	Gasolina	FWD	1998	81	110	12.01-06.06	■	
2.0 BiFuel		Gasol./Gas (LPG)	FWD	1998	81	110	12.01-06.06	■	
2.0 HDi (RHV (DW10UTD))		Diesel	FWD	1997	62	84	08.01-04.02	■	

LISTA DE APLICACIONES - BUYERS GUIDE

2.0 HDi (RHV (DW10TD))	01/04-	Diesel	FWD	1997	62	84	04.02-06.06	■
2.0 HDi (RHV (DW10UTD))	01/04-	Diesel	FWD	1997	62	84	04.02-06.06	■
2.2 HDi (4HY (DW12UTED))	01/04-	Diesel	FWD	2179	74	101	12.01-06.06	■
2.8 D (8140.63 (F28D))	ch- 16204256, Eq.V_ 1000-1400 kg.	Diesel	FWD	2798	64	87	01.99-02.02	■
2.8 HDi (8140.43S (F28DTCR))	ch- 16204256, Eq.V_ 1000-1400 kg.	Diesel	FWD	2798	93	126	10.00-11.01	■
2.8 HDi (8140.43S (F28DTCR))	Weig. 2900, Weig. 3300	Diesel	FWD	2798	93	126	09.05-09.09	■
2.8 HDi (8140.43S (F28DTCR))	01/04-	Diesel	FWD	2798	94	128	12.01-06.06	■
2.8 HDi 4x4 (8140.43S (F28DTCR))	ch- 16204256, Eq.V_ 1000-1400 kg.	Diesel	4WD	2798	94	128	10.00-04.02	■
2.8 HDi 4x4 (8140.43S (F28DTCR))	01/04-	Diesel	4WD	2798	94	128	12.01-06.06	■
2.8 HDi (8140.43N)		Diesel	FWD	2798	107	146	04.04-06.06	■
BOXER III / MANAGER 04.06-						Van (LCVs-N1 Segment)		
2.8 HDi	Weig. 2900, Weig. 3300	Diesel	RWD	2798	93	127	04.06-09.09	■