

LISTA DE APLICACIONES - BUYERS GUIDE

141793-204

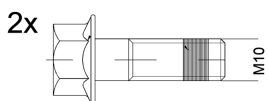
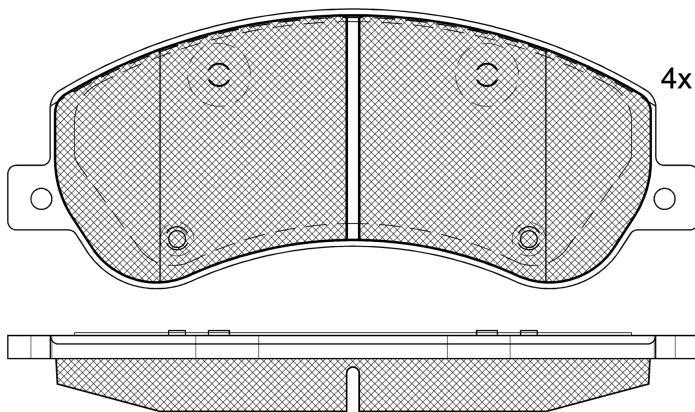


8 424073 102577

Qty: 300

Weight: 2.345

O.E.M.	MAKE
2H0 698 151	VW
2H0 698 151 A	VW
JZW 698 151 AM	VW



1 - Ref. 690174 E

141793-204

E 9 90R-01111/2759



Bosch

164.8x66.8x18.8

WVA	FMSI
24484	D1555-8767
MAKE	
BYD	
DENZA	
VW	



Trac.	CC	Kw	CV
-------	----	----	----



Front / Rear

BYD

SONG PRO 07.19-

SUV (Compact SUV-J Segment)

DM Hybrid A las 4 ruedas (BYD476ZQB)	Gasol./el éc.	4WD	1497	348	473	07.19-	■
EV (BYD-2015TZ-XS-D)	Eléctrico	FWD		120	163	07.19-	■
EV (BYD-2015TZ-XS-E)	Eléctrico	FWD		135	184	07.19-	■

DENZA

DENZA 04.14-

Saloon ()

EV (2217TZ-XSA)	Eléctrico	FWD		86	117	04.14-	■
EV (TZ2217-XSB)	Eléctrico	FWD		135	184	09.16-	■

VW

AMAROK (2HA, 2HB, S1B, S6B, S7A, S7B, AGD) 09.10-

Pickup (Pick-Up Truck)

2.0 TSI (CFPA)	PR 2E3, PR 2E4, drum brak.rear axle, disc brak.rear axle	Gasolina	RWD	1984	118	160	12.10-10.16	■
2.0 TDI (CDBA)	PR 2E3, PR 2E4, drum brak.rear axle, disc brak.rear axle	Diesel	RWD	1968	90	122	09.10-10.13	■
2.0 TDI (CNFA)	PR 2E3, PR 2E4, drum brak.rear axle, disc brak.rear axle	Diesel	RWD	1968	90	122	09.10-10.13	■
2.0 TDI 4motion (CDBA)	PR 2E3, PR 2E4, drum brak.rear axle, disc brak.rear axle	Diesel	4WD	1968	90	122	09.10-10.13	■
2.0 TDI 4motion (CNFA)	PR 2E3, PR 2E4, drum brak.rear axle, disc brak.rear axle	Diesel	4WD	1968	90	122	09.10-10.13	■
2.0 TDI (CNFB)	PR 2E3, PR 2E4, drum brak.rear axle, disc brak.rear axle	Diesel	RWD	1968	103	140	07.12-	■

LISTA DE APLICACIONES - BUYERS GUIDE

2.0 TDI 4motion (CNFB)	PR 2E3, PR 2E4, drum brak.rear axle	Diesel	4WD	1968	103	140	06.12-05.22	■	
2.0 BitDI (CDCA)	PR 2E3, PR 2E4, drum brak.rear axle, disc brak.rear axle	Diesel	RWD	1968	120	163	09.10-08.12	■	
2.0 BitDI 4motion (CDCA)	PR 2E3, PR 2E4, drum brak.rear axle, disc brak.rear axle	Diesel	4WD	1968	120	163	09.10-08.12	■	
2.0 BitDI (CNEA)	PR 2E3, PR 2E4, drum brak.rear axle, disc brak.rear axle	Diesel	RWD	1968	132	180	11.11-	■	
2.0 BitDI (CSHA)	PR 2E3, PR 2E4, drum brak.rear axle, disc brak.rear axle	Diesel	RWD	1968	132	180	11.11-	■	
2.0 BitDI 4motion (CNEA)	PR 2E3, PR 2E4, drum brak.rear axle, disc brak.rear axle	Diesel	4WD	1968	132	180	11.11-	■	
2.0 BitDI 4motion (CSHA)	PR 2E3, PR 2E4, drum brak.rear axle, disc brak.rear axle	Diesel	4WD	1968	132	180	11.11-	■	
3.0 TDI (DDXA)	PR 2E3, drum brak.rear axle	Diesel	RWD	2967	120	163	06.16-06.20	■	
3.0 TDI 4motion (DDXA)	PR 2E3, drum brak.rear axle	Diesel	4WD	2967	120	163	06.16-06.20	■	
3.0 TDI 4motion (DDXB)	PR 2E3, drum brak.rear axle	Diesel	4WD	2967	150	204	06.16-08.20	■	
3.0 TDI 4motion (DDXC)	PR 2E3, PR 2E4, drum brak.rear axle, disc brak.rear axle	Diesel	4WD	2967	165	224	06.16-05.22	■	
3.0 TDI 4motion (DDXE)		Diesel	4WD	2967	190	258	05.18-	■	
AMAROK (S1B, S6B, S7B) 09.11-							Platform/Chassis (LCVs-N1 Segment)		
2.0 TSI	PR 2E3, drum brak.rear axle	Gasolina	FWD	1984	118	160	09.11-	■	
2.0 TDI (CDBA)		Diesel	RWD	1968	90	122	09.11-10.13	■	
2.0 TDI (CNFA)		Diesel	RWD	1968	90	122	09.11-10.13	■	
2.0 TDI (CNFB)	PR 2E3, drum brak.rear axle	Diesel	RWD	1968	103	140	09.11-10.16	■	
2.0 TDI 4motion (CNFB)	PR 2E3, PR 2E4, drum brak.rear axle, disc brak.rear axle	Diesel	4WD	1968	103	140	09.11-10.16	■	
2.0 BitDI (CNEA)	PR 2E3, drum brak.rear axle	Diesel	RWD	1968	132	180	05.12-10.16	■	
2.0 BitDI (CSHA)	PR 2E3, drum brak.rear axle	Diesel	RWD	1968	132	180	05.12-10.16	■	
2.0 BitDI 4motion (CNEA)	PR 2E3, drum brak.rear axle	Diesel	4WD	1968	132	180	09.11-07.19	■	
2.0 BitDI 4motion (CSHA)	PR 2E3, drum brak.rear axle	Diesel	4WD	1968	132	180	09.11-07.19	■	
3.0 TDI 4motion (DDXB)		Diesel	4WD	2967	150	204	06.16-08.20	■	
3.0 TDI 4motion (DDXE)		Diesel	4WD	2967	190	258	05.18-05.22	■	