

# LISTA DE APLICACIONES - BUYERS GUIDE

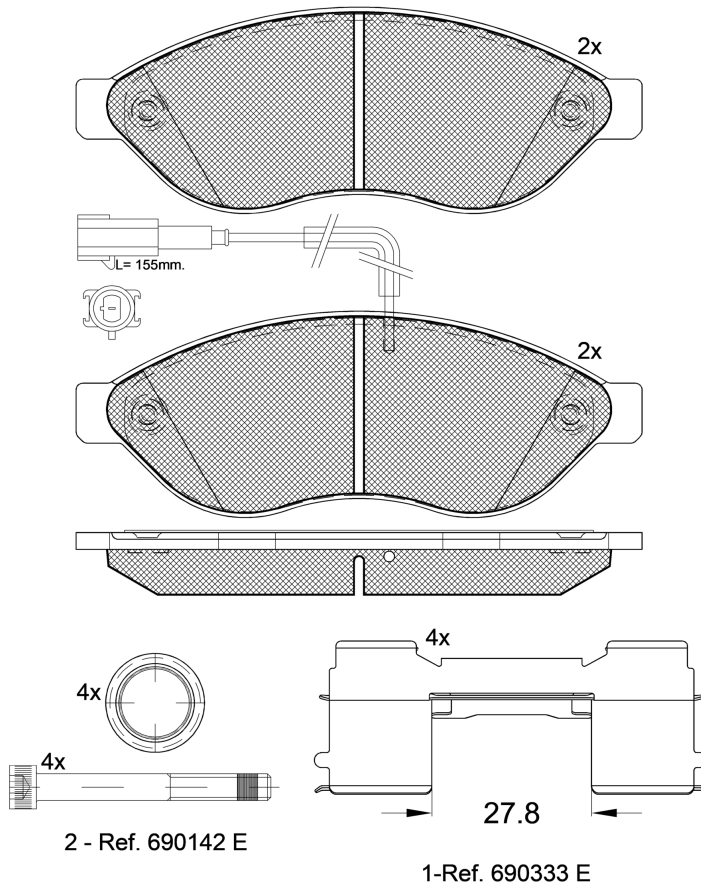
## 141803-203



Qty: 300

Weight: 2.400

O.E.M.	MAKE
14 114 573 80	CITROËN
16 078 785 80	CITROËN
16 114 573 80	PEUGEOT
16 118 391 80	CITROËN
16 124 338 80	PEUGEOT
16 172 739 80	PEUGEOT
16 238 424 80	PEUGEOT
16 478 638 80	PEUGEOT
16 478 639 80	FIAT
1647864180	PEUGEOT
60 01 073 131	FIAT
7 177 002 6	FIAT
7 736 601 7	FIAT
7 736 709 2	FIAT
7 736 845 2	FIAT



## 141803-203



### 90R-02A0111/3784



Brembo

168.9x61.7x19.2

WVA	FMSI
24468	D1489-8689
24469	
MAKE	
CITROËN	
FIAT	
OPEL	
PEUGEOT	
VAUXHALL	



Trac.	CC	Kw	CV
-------	----	----	----



Front / Rear

### CITROËN

#### JUMPER III / RELAY 04.06-

#### Bus (Minibus-M2-Segment)

Model	Code	Fuel	Trac.	CC	Kw	CV	Period	Icon
2.0 BlueHdi 110 (AHM (DW10FUE))	Eq.V_ 12Q + 14Q	Diesel	FWD	1997	81	110	07.15-09.19	■
2.0 BlueHdi 130 (AHN (DW10FUD))	Eq.V_ 12Q + 14Q	Diesel	FWD	1997	96	130	07.15-09.19	■
2.0 BlueHdi 160 (AHP (DW10FUC))	Eq.V_ 12Q + 14Q	Diesel	FWD	1997	120	163	07.15-09.19	■
2.2 BlueHdi 120 (4HK (DW12RUE))		Diesel	FWD	2179	88	120	08.19-10.23	■
2.2 BlueHdi 140 (4HJ (DW12RUD))		Diesel	FWD	2179	103	140	08.19-10.23	■
2.2 BlueHdi 165 (4HH (DW12RUC))		Diesel	FWD	2179	121	165	08.19-10.23	■
2.2 HDi 100 (4HV (P22DTE))	Eq.V_ 12Q + 14Q	Diesel	FWD	2198	74	101	04.06-	■
2.2 HDi 110 (4HG (P22DTE))	Eq.V_ 12Q + 14Q	Diesel	FWD	2198	81	110	07.11-12.20	■
2.2 HDi 120 (4HU (P22DTE))	Eq.V_ 12Q + 14Q	Diesel	FWD	2198	88	120	04.06-12.16	■
2.2 HDi 130 (4HH (P22DTE))	Eq.V_ 12Q + 14Q	Diesel	FWD	2198	96	130	07.11-	■
2.2 HDi 150 (4HJ (P22DTE))	Eq.V_ 12Q + 14Q	Diesel	FWD	2198	110	150	07.11-	■
3.0 HDi 155 (F1CE0481D (F30DT))	Eq.V_ 12Q + 14Q	Diesel	FWD	2999	115	157	07.06-	■
3.0 HDi 160 (F1CE0481D (F30DT))	Eq.V_ 12Q + 14Q	Diesel	FWD	2999	116	157	09.06-	■
3.0 HDi 180 (F1CE3481E (F30DTE))	Eq.V_ 12Q + 14Q	Diesel	FWD	2999	130	177	07.11-	■

#### JUMPER III / RELAY 04.06-

#### Platform/Chassis (LCVs-N1 Segment)

Model	Code	Fuel	Trac.	CC	Kw	CV	Period	Icon
2.0 BlueHdi 110 (AHM (DW10FUE))	Eq.V_ 12Q + 14Q	Diesel	FWD	1997	81	110	11.15-09.19	■
2.0 BlueHdi 130 (AHN (DW10FUD))	Eq.V_ 12Q + 14Q	Diesel	FWD	1997	96	130	11.15-09.19	■
2.0 BlueHdi 130 4x4 (AHN (DW10FUD))	Eq.V_ 12Q + 14Q	Diesel	4WD	1997	96	130	11.15-09.19	■
2.0 BlueHdi 160 (AHP (DW10FUC))	Eq.V_ 12Q + 14Q	Diesel	FWD	1997	120	163	11.15-09.19	■
2.0 BlueHdi 160 4x4 (AHP (DW10FUC))	Eq.V_ 12Q + 14Q	Diesel	4WD	1997	120	163	11.15-09.19	■
2.2 BlueHdi 120 (4HK (DW12RUE))		Diesel	FWD	2179	88	120	08.19-10.23	■
2.2 BlueHdi 140 (4HJ (DW12RUD))		Diesel	FWD	2179	103	140	08.19-10.23	■

# LISTA DE APLICACIONES - BUYERS GUIDE

2.2 BlueHDi 165 (4HH (DW12RUC))		Diesel	FWD	2179	121	165	08.19-10.23	■
2.2 HDi 100 (4HV (P22DTE))	Eq.V_ 12Q + 14Q	Diesel	FWD	2198	74	101	04.06-	■
2.2 HDi 110 (4HG (P22DTE))	Eq.V_ 12Q + 14Q	Diesel	FWD	2198	81	110	07.11-12.20	■
2.2 HDi 120 (4HU (P22DTE))	Eq.V_ 12Q + 14Q	Diesel	FWD	2198	88	120	04.06-12.16	■
2.2 HDi 130 (4HH (P22DTE))	Eq.V_ 12Q + 14Q	Diesel	FWD	2198	96	130	07.06-	■
2.2 HDi 150 (4HJ (P22DTE))	Eq.V_ 12Q + 14Q	Diesel	FWD	2198	110	150	07.11-	■
3.0 HDi 145 (F30DTE (F1CE3481N))	Eq.V_ 12Q + 14Q	Diesel	FWD	2999	107	146	07.10-12.13	■
3.0 HDi 160 (F1CE0481D (F30DT))	Eq.V_ 12Q + 14Q	Diesel	FWD	2999	116	157	09.06-12.15	■
3.0 HDi 180 (F1CE3481E (F30DTE))	Eq.V_ 12Q + 14Q	Diesel	FWD	2999	130	177	07.11-	■
<b>JUMPER III / RELAY 04.06-</b>				<b>Van (LCVs-N1 Segment)</b>				
2.0 BlueHDi 110 (AHM (DW10FUE))	Eq.V_ 12Q + 14Q	Diesel	FWD	1997	81	110	11.15-09.19	■
2.0 BlueHDi 130 (AHN (DW10FUD))	Eq.V_ 12Q + 14Q	Diesel	FWD	1997	96	130	11.15-09.19	■
2.0 BlueHDi 160 (AHP (DW10FUC))	Eq.V_ 12Q + 14Q	Diesel	FWD	1997	120	163	11.15-09.19	■
2.0 BlueHDi 160 4x4 (AHP (DW10FUC))	Eq.V_ 12Q + 14Q	Diesel	4WD	1997	120	163	11.15-09.19	■
2.2 BlueHDi 120 (4HK (DW12RUE))		Diesel	FWD	2179	88	120	08.19-10.23	■
2.2 BlueHDi 140 (4HJ (DW12RUD))		Diesel	FWD	2179	103	140	08.19-10.23	■
2.2 BlueHDi 165 (4HH (DW12RUC))		Diesel	FWD	2179	121	165	08.19-10.23	■
2.2 HDi 100 (4HV (P22DTE))	Eq.V_ 12Q + 14Q	Diesel	FWD	2198	74	101	04.06-12.12	■
2.2 HDi 110 (4HG (P22DTE))	Eq.V_ 12Q + 14Q	Diesel	FWD	2198	81	110	07.11-12.20	■
2.2 HDi 120 (4HU (P22DTE))	Eq.V_ 12Q + 14Q	Diesel	FWD	2198	88	120	04.06-12.16	■
2.2 HDi 130 (4HH (P22DTE))	Eq.V_ 12Q + 14Q	Diesel	FWD	2198	96	130	07.11-	■
2.2 HDi 150 (4HJ (P22DTE))	Eq.V_ 12Q + 14Q	Diesel	FWD	2198	110	150	07.11-	■
3.0 HDi 145 (F30DTE (F1CE3481N))	Eq.V_ 12Q + 14Q	Diesel	FWD	2999	107	146	07.10-12.13	■
3.0 HDi 155 (F1CE0481D (F30DT))	Eq.V_ 12Q + 14Q	Diesel	FWD	2999	115	156	07.06-12.15	■
3.0 HDi 160 (F1CE0481D (F30DT))	Eq.V_ 12Q + 14Q	Diesel	FWD	2999	116	157	09.06-12.15	■
3.0 HDi 180 (F1CE3481E (F30DTE))	Eq.V_ 12Q + 14Q	Diesel	FWD	2999	130	177	07.11-	■
<b>FIAT</b>								
<b>DUCATO III (250_) 07.06-</b>				<b>Bus (Minibus-M2-Segment)</b>				
115 Multijet 2,0 D (250 A1.000)	Type 30 + 33	Diesel	FWD	1956	85	116	06.11-	■
115 Multijet 2,0 D (250 A2.000)	Type 30 + 33	Diesel	FWD	1956	85	116	06.11-	■
100 Multijet 2,2 D (4HV)	Type 30 + 33	Diesel	FWD	2198	74	101	07.06-05.11	■
110 Multijet 2,3 D (F1AE3481G)		Diesel	FWD	2287	82	111	05.14-	■
110 Multijet 2,3 D (F1AE3481G)	Type 30 + 33	Diesel	FWD	2287	83	113	10.11-07.14	■
120 Multijet 2,3 D (F1AE0481D)	Type 30 + 33	Diesel	FWD	2287	88	120	07.06-10.13	■
130 Multijet 2,3 D	Type 30 + 33	Diesel	FWD	2287	93	126	01.10-	■
130 Multijet 2,3 D (F1AE0481N)	Type 30 + 33	Diesel	FWD	2287	96	131	01.07-	■
130 Multijet 2,3 D (F1AE3481D)	Type 30 + 33	Diesel	FWD	2287	96	131	01.07-	■
130 Multijet 2,3 D (F1AGL411D)	Type 30 + 33	Diesel	FWD	2287	96	131	01.07-	■
140 Multijet 2,3 D (F1AGL4113)		Diesel	FWD	2287	103	140	05.19-	■
150 Multijet 2,3 D (F1AE3481E)	Type 30 + 33	Diesel	FWD	2287	109	148	06.11-	■
150 Multijet 2,3 D (F1AGL411A)	Type 30 + 33	Diesel	FWD	2287	110	150	04.15-	■
150 Multijet 2,3 D (F1AGL411C)	Type 30 + 33	Diesel	FWD	2287	110	150	04.15-	■
160 Multijet 2,3 D (F1AGL4112)		Diesel	FWD	2287	118	160	05.19-	■
180 Multijet 2,3 D	Type 30 + 33	Diesel	FWD	2287	130	177	12.15-	■
180 Multijet 2,3 D (F1AGL4111)		Diesel	FWD	2287	130	177	05.19-	■
150 Multijet 3,0 D (F1CE3481N)	Type 30 + 33	Diesel	FWD	2999	107	146	04.10-07.14	■
160 Multijet 3,0 D (F1CE0481D)	Type 30 + 33	Diesel	FWD	2999	115	156	10.06-05.11	■
160 Multijet 3,0 D (F1CE0481D)	Type 30 + 33	Diesel	FWD	2999	116	158	07.06-05.11	■
160 Multijet 3,0 D (F1CE3481M)	Type 30 + 33	Diesel	FWD	2999	116	158	07.06-05.11	■
180 Multijet 3,0 D (F1CE3481E)	Type 30 + 33	Diesel	FWD	2999	130	177	06.11-	■
140 Natural Power (F1CE0441A)	Type 30 + 33	CNG	FWD	2999	100	136	04.09-	■

# LISTA DE APLICACIONES - BUYERS GUIDE

140 Natural Power (F1CFA401A)	Type 30 + 33	CNG	FWD	2999	100	136	04.09-	■
					<b>Platform/Chassis (LCVs-N1 Segment)</b>			
<b>DUCATO III (250_) 07.06-</b>								
115 Multijet 2,0 D (250 A1.000)	Type 30 + 33	Diesel	FWD	1956	85	116	06.11-	■
115 Multijet 2,0 D (250 A2.000)	Type 30 + 33	Diesel	FWD	1956	85	116	06.11-	■
100 Multijet 2,2 D (4HV)	Type 30 + 33	Diesel	FWD	2198	74	101	07.06-05.11	■
110 Multijet 2,3 D (F1AE3481G)		Diesel	FWD	2287	82	111	08.06-	■
110 Multijet 2,3 D (F1AE3481G)	Type 30 + 33	Diesel	FWD	2287	83	113	10.11-07.14	■
120 Multijet 2,3 D (F1AE0481D)	Type 30 + 33	Diesel	FWD	2287	88	120	07.06-	■
120 Multijet 2,3 D (F1AGL4114)	Type 30 + 33	Diesel	FWD	2287	88	120	07.06-	■
120 Multijet 2,3 D 4x4 (F1AE0481D)	Type 30 + 33	Diesel	4WD	2287	88	120	03.10-	■
130 Multijet 2,3 D	Type 30 + 33	Diesel	FWD	2287	93	126	08.06-	■
130 Multijet 2,3 D (F1AE0481N)	Type 30 + 33	Diesel	FWD	2287	96	131	08.06-	■
130 Multijet 2,3 D (F1AE3481D)	Type 30 + 33	Diesel	FWD	2287	96	131	08.06-	■
130 Multijet 2,3 D (F1AGL411D)	Type 30 + 33	Diesel	FWD	2287	96	131	08.06-	■
140 Multijet 2,3 D (F1AGL4113)		Diesel	FWD	2287	103	140	05.19-	■
150 Multijet 2,3 D (F1AE3481E)	Type 30 + 33	Diesel	FWD	2287	109	148	06.11-	■
150 Multijet 2,3 D (F1AGL411C)	Type 30 + 33	Diesel	FWD	2287	110	150	12.15-	■
160 Multijet 2,3 D (F1AGL4112)		Diesel	FWD	2287	118	160	05.19-	■
180 Multijet 2,3 D (F1AGL4111)	Type 30 + 33	Diesel	FWD	2287	130	177	12.15-	■
180 Multijet 2,3 D (F1AGL411B)	Type 30 + 33	Diesel	FWD	2287	130	177	12.15-	■
150 Multijet 3,0 D (F1CE3481N)	Type 30 + 33	Diesel	FWD	2999	107	146	04.10-07.14	■
160 Multijet 3,0 D (F1CE3481M)		Diesel	FWD	2999	115	156	07.06-05.11	■
160 Multijet 3,0 D (F1CE0481D)	Type 30 + 33	Diesel	FWD	2999	116	158	07.06-05.14	■
180 Multijet 3,0 D (F1CE3481E)	Type 30 + 33	Diesel	FWD	2999	130	177	06.11-	■
140 Natural Power (F1CE0441A)	Type 30 + 33	CNG	FWD	2999	100	136	04.09-	■
140 Natural Power (F1CFA401A)	Type 30 + 33	CNG	FWD	2999	100	136	04.09-	■
					<b>Van (LCVs-N1 Segment)</b>			
<b>DUCATO III (250_) 07.06-</b>								
115 Multijet 2,0 D (250 A1.000)	Type 30 + 33	Diesel	FWD	1956	85	116	06.11-	■
115 Multijet 2,0 D (250 A2.000)	Type 30 + 33	Diesel	FWD	1956	85	116	06.11-	■
100 Multijet 2,2 D (4HV)	Type 30 + 33	Diesel	FWD	2198	74	101	07.06-05.11	■
110 Multijet 2,3 D (F1AE3481G)		Diesel	FWD	2287	82	111	05.14-	■
110 Multijet 2,3 D (F1AE3481G)	Type 30 + 33	Diesel	FWD	2287	83	113	10.11-07.14	■
120 Multijet 2,3 D (F1AE0481D)	Type 30 + 33	Diesel	FWD	2287	88	120	07.06-	■
120 Multijet 2,3 D (F1AGL4114)	Type 30 + 33	Diesel	FWD	2287	88	120	07.06-	■
120 Multijet 2,3 D 4x4 (F1AE0481D)	Type 30 + 33	Diesel	4WD	2287	88	120	03.10-	■
130 Multijet 2,3 D	Type 30 + 33	Diesel	FWD	2287	93	126	08.06-12.18	■
130 Multijet 2,3 D (F1AE0481N)	Type 30 + 33	Diesel	FWD	2287	96	131	08.06-	■
130 Multijet 2,3 D (F1AE3481D)	Type 30 + 33	Diesel	FWD	2287	96	131	08.06-	■
130 Multijet 2,3 D (F1AGL411D)	Type 30 + 33	Diesel	FWD	2287	96	131	08.06-	■
140 Multijet 2,3 D (F1AGL4113)		Diesel	FWD	2287	103	140	05.19-	■
150 Multijet 2,3 D (F1AE3481E)	Type 30 + 33	Diesel	FWD	2287	109	148	06.11-	■
150 Multijet 2,3 D (F1AGL411A)	Type 30 + 33	Diesel	FWD	2287	110	150	12.15-	■
150 Multijet 2,3 D (F1AGL411C)	Type 30 + 33	Diesel	FWD	2287	110	150	12.15-	■
160 Multijet 2,3 D (F1AGL4112)		Diesel	FWD	2287	118	160	05.19-	■
180 Multijet 2,3 D (F1AGL4111)	Type 30 + 33	Diesel	FWD	2287	130	177	12.15-	■
180 Multijet 2,3 D (F1AGL411B)	Type 30 + 33	Diesel	FWD	2287	130	177	12.15-	■
150 Multijet 3,0 D (F1CE3481N)	Type 30 + 33	Diesel	FWD	2999	107	146	04.10-07.14	■
160 Multijet 3,0 D (F1CE3481M)		Diesel	FWD	2999	115	156	07.06-12.11	■
160 Multijet 3,0 D (F1CE0481D)	Type 30 + 33	Diesel	FWD	2999	116	158	07.06-05.11	■
180 Multijet 3,0 D (F1CE3481E)	Type 30 + 33	Diesel	FWD	2999	130	177	06.11-	■

# LISTA DE APLICACIONES - BUYERS GUIDE

140 Natural Power (F1CE0441A)	Type 30 + 33	CNG	FWD	2999	100	136	04.09-	■	
140 Natural Power (F1CFA401A)	Type 30 + 33	CNG	FWD	2999	100	136	04.09-	■	
<b>OPEL</b>									
<b>MOVANO C (U9, X250) 12.21-</b>						<b>Platform/Chassis (LCVs-N1 Segment)</b>			
MOVANO-e		Eléctrico	FWD		100	136	04.23-10.23	■	
2.2 D	discØ 280	Diesel	FWD	2179	88	120	12.21-10.23	■	
2.2 D	discØ 280, Eq.V_ LIGHT DUTY TRUCK, Weig. 3500	Diesel	FWD	2179	103	140	12.21-10.23	■	
2.2 D	discØ 280, Eq.V_ LIGHT DUTY TRUCK, Weig. 3500	Diesel	FWD	2179	121	165	12.21-10.23	■	
<b>MOVANO C (U9, X250) 12.21-</b>						<b>Van (LCVs-N1 Segment)</b>			
MOVANO-e	discØ 280	Eléctrico	FWD		100	136	12.21-10.23	■	
2.2 D	discØ 280	Diesel	FWD	2179	88	120	12.21-10.23	■	
2.2 D	discØ 280	Diesel	FWD	2179	103	140	12.21-10.23	■	
2.2 D	discØ 280, Eq.V_ LIGHT DUTY TRUCK, Weig. 3500	Diesel	FWD	2179	121	165	12.21-10.23	■	
<b>PEUGEOT</b>									
<b>BOXER III / MANAGER 09.05-</b>						<b>Bus (Minibus-M2-Segment)</b>			
2.0 BlueHDi 110 (AHM (DW10FUE))	Eq.V_ 12Q + 14Q	Diesel	FWD	1997	81	110	07.15-09.19	■	
2.0 BlueHDi 130 (AHN (DW10FUD))	Eq.V_ 12Q + 14Q	Diesel	FWD	1997	96	130	07.15-09.19	■	
2.0 BlueHDi 160 (AHP (DW10FUC))	Eq.V_ 12Q + 14Q	Diesel	FWD	1997	120	163	07.15-09.19	■	
2.2 BlueHDi 120 (4HK (DW12RUE))		Diesel	FWD	2179	88	120	07.19-10.23	■	
2.2 BlueHDi 140 (4HJ (DW12RUD))		Diesel	FWD	2179	103	140	07.19-	■	
2.2 BlueHDi 165 (4HH (DW12RUC))		Diesel	FWD	2179	121	165	08.19-10.23	■	
2.2 HDi 100 (4HV (P22DTE))	Eq.V_ 12Q + 14Q	Diesel	FWD	2198	74	101	04.06-	■	
2.2 HDi 110 (4HG (P22DTE))	Eq.V_ 12Q + 14Q	Diesel	FWD	2198	81	110	03.11-12.20	■	
2.2 HDi 120 (4HU (P22DTE))	Eq.V_ 12Q + 14Q	Diesel	FWD	2198	88	120	04.06-12.16	■	
2.2 HDi 130 (4HH (P22DTE))	Eq.V_ 12Q + 14Q	Diesel	FWD	2198	96	131	03.11-	■	
2.2 HDi 150 (4HJ (P22DTE))	Eq.V_ 12Q + 14Q	Diesel	FWD	2198	110	150	03.11-	■	
3.0 HDi 145 (F1CE3481N (F30DTE))	Eq.V_ 12Q + 14Q	Diesel	FWD	2999	107	146	04.10-12.13	■	
3.0 HDi 160 (F1CE0481D (F30DT))	Eq.V_ 12Q + 14Q	Diesel	FWD	2999	115	156	04.06-12.15	■	
3.0 HDi 175 (F1CE3481E (F30DTE))	Eq.V_ 12Q + 14Q	Diesel	FWD	2999	130	177	03.11-	■	
<b>BOXER III / MANAGER 04.06-</b>						<b>Platform/Chassis (LCVs-N1 Segment)</b>			
2.0 BlueHDi 110 (AHM (DW10FUE))	Eq.V_ 12Q + 14Q	Diesel	FWD	1997	81	110	03.16-09.19	■	
2.0 BlueHDi 130 (AHN (DW10FUD))	Eq.V_ 12Q + 14Q	Diesel	FWD	1997	96	130	03.16-09.19	■	
2.0 BlueHDi 160 (AHP (DW10FUC))	Eq.V_ 12Q + 14Q	Diesel	FWD	1997	120	163	03.16-12.23	■	
2.2 BlueHDi 120 (4HK (DW12RUE))		Diesel	FWD	2179	88	120	08.19-10.23	■	
2.2 BlueHDi 140 (4HJ (DW12RUD))		Diesel	FWD	2179	103	140	08.19-10.23	■	
2.2 BlueHDi 165 (4HH (DW12RUC))		Diesel	FWD	2179	121	165	08.19-10.23	■	
2.2 HDi 100 (4HV (P22DTE))	Eq.V_ 12Q + 14Q	Diesel	FWD	2198	74	101	04.06-	■	
2.2 HDi 110 (4HG (P22DTE))	Eq.V_ 12Q + 14Q	Diesel	FWD	2198	81	110	03.11-12.20	■	
2.2 HDi 120 (4HU (P22DTE))	Eq.V_ 12Q + 14Q	Diesel	FWD	2198	88	120	04.06-12.16	■	
2.2 HDi 130 (4HH (P22DTE))	Eq.V_ 12Q + 14Q	Diesel	FWD	2198	96	131	04.06-	■	
2.2 HDi 150 (4HJ (P22DTE))	Eq.V_ 12Q + 14Q	Diesel	FWD	2198	110	150	03.11-	■	
3.0 HDi 145 (F1CE3481N (F30DTE))	Eq.V_ 12Q + 14Q	Diesel	FWD	2999	107	146	04.10-12.13	■	
3.0 HDi 155 (F1CE0481D (F30DT))	Eq.V_ 12Q + 14Q	Diesel	FWD	2999	115	156	04.06-12.15	■	
3.0 HDi 160 (F1CE0481D (F30DT))	Eq.V_ 12Q + 14Q	Diesel	FWD	2999	116	156	04.06-12.15	■	
3.0 HDi 175 (F1CE3481E (F30DTE))	Eq.V_ 12Q + 14Q, Weig. 3000	Diesel	FWD	2999	130	177	03.11-	■	
<b>BOXER III / MANAGER 04.06-</b>						<b>Van (LCVs-N1 Segment)</b>			
2.0 BlueHDi 110 (AHM (DW10FUE))	Eq.V_ 12Q + 14Q	Diesel	FWD	1997	81	110	03.16-09.19	■	
2.0 BlueHDi 130 (AHN (DW10FUD))	Eq.V_ 12Q + 14Q	Diesel	FWD	1997	96	130	03.16-09.19	■	

## LISTA DE APLICACIONES - BUYERS GUIDE

2.0 FURGAO (AHN (DW10FUD))		Diesel	FWD	1997	96	130	01.19-	■
2.0 BlueHDi 160 (AHP (DW10FUC))	Eq.V_ 12Q + 14Q	Diesel	FWD	1997	120	163	03.16-12.23	■
2.2 BlueHDi 120 (4HK (DW12RUE))		Diesel	FWD	2179	88	120	07.19-10.23	■
2.2 BlueHDi 140 (4HJ (DW12RUD))		Diesel	FWD	2179	103	140	07.19-	■
2.2 BlueHDi 165 (4HH (DW12RUC))		Diesel	FWD	2179	121	165	07.19-10.23	■
2.2 HDi 100 (4HV (P22DTE))	Eq.V_ 12Q + 14Q	Diesel	FWD	2198	74	101	04.06-	■
2.2 HDi 110 (4HG (P22DTE))	Eq.V_ 12Q + 14Q	Diesel	FWD	2198	81	110	03.11-12.20	■
2.2 HDi 120 (4HU (P22DTE))	Eq.V_ 12Q + 14Q	Diesel	FWD	2198	88	120	04.06-12.16	■
2.2 HDi 130 (4HH (P22DTE))	Eq.V_ 12Q + 14Q	Diesel	FWD	2198	96	131	03.11-	■
2.2 HDi 150 (4HJ (P22DTE))	Eq.V_ 12Q + 14Q	Diesel	FWD	2198	110	150	03.11-	■
3.0 HDi 145 (F1CE3481N (F30DTE))	Eq.V_ 12Q + 14Q	Diesel	FWD	2999	107	146	04.10-12.13	■
3.0 HDi 155 (F1CE0481D (F30DT))	Eq.V_ 12Q + 14Q	Diesel	FWD	2999	115	156	07.06-12.15	■
3.0 HDi 160 (F1CE0481D (F30DT))	Eq.V_ 12Q + 14Q	Diesel	FWD	2999	116	156	04.06-12.15	■
3.0 HDi 175 (F1CE3481E (F30DTE))	Eq.V_ 12Q + 14Q	Diesel	FWD	2999	130	177	03.11-	■

### VAUXHALL

<b>MOVANO Mk III © (U9, X250) 12.21-</b>						<b>Platform/Chassis (LCVs-N1 Segment)</b>		
2.2 D	discØ 280	Diesel	FWD	2179	103	140	12.21-04.25	■
<b>MOVANO Mk III © (U9, X250) 12.21-</b>						<b>Van (LCVs-N1 Segment)</b>		
MOVANO-e	discØ 280	Eléctrico	FWD		100	136	12.21-10.23	■
2.2 D		Diesel	FWD	2179	88	120	12.22-10.23	■
2.2 D	discØ 280, Eq.V_ LIGHT DUTY TRUCK, Weig. 3500	Diesel	FWD	2179	103	140	12.21-10.23	■
2.2 D	discØ 280	Diesel	FWD	2179	121	165	12.21-10.23	■