

LISTA DE APLICACIONES - BUYERS GUIDE

141804-203

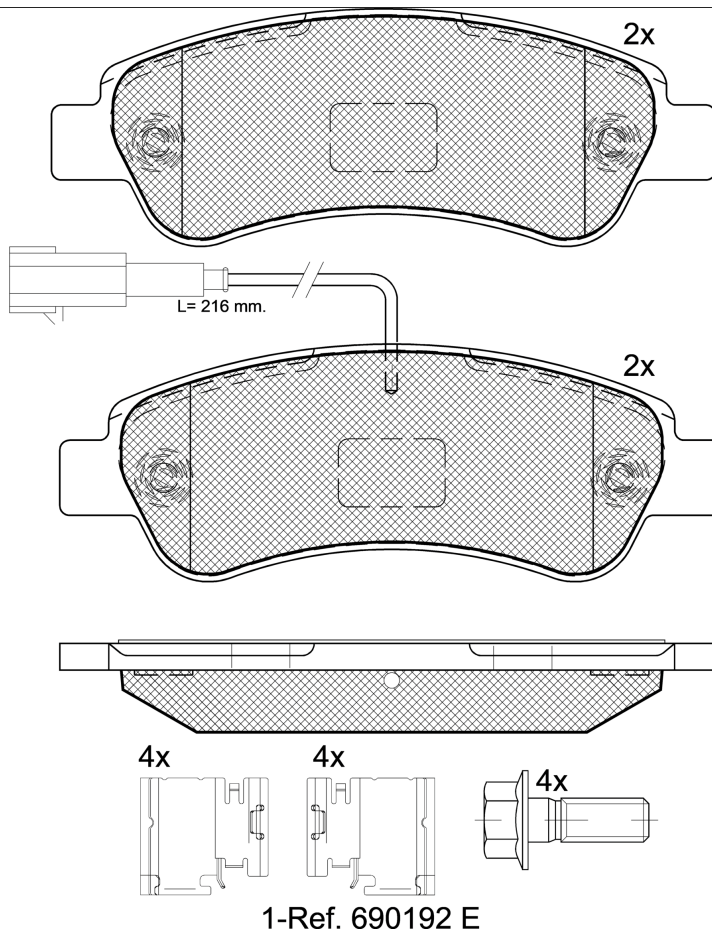


8 424073 110503

Qty: 300

Weight: 1.500

O.E.M.	MAKE
16 124 341 80	PEUGEOT
16 144 121 80	PEUGEOT
16 736 034 80	VAUXHALL
68226919AA	RAM
7 736 667 9	FIAT



1-Ref. 690192 E

141804-203

E 9 90R-02A0111/4246



Bosch

136.9x49x19

WVA	FMSI
22041	D1490-9017
24465	

MAKE
CITROËN
FIAT
OPEL
PEUGEOT
RAM
VAUXHALL



Trac.	CC	Kw	CV
-------	----	----	----



Front / Rear

CITROËN

JUMPER III / RELAY 04.06-

Bus (Minibus-M2-Segment)

Engine/Model	Weight	Fuel	Drive	Year	CC	Kw	CV	Period	Application
2.0 BlueHDi 110 (AHM (DW10FUE))		Diesel	FWD	1997	81	110	07.15-09.19	■	
2.0 BlueHDi 130 (AHN (DW10FUD))		Diesel	FWD	1997	96	130	07.15-09.19	■	
2.0 BlueHDi 160 (AHP (DW10FUC))	Weig. 3500	Diesel	FWD	1997	120	163	07.15-09.19	■	
2.2 BlueHDi 120 (4HK (DW12RUE))		Diesel	FWD	2179	88	120	08.19-10.23	■	
2.2 BlueHDi 140 (4HJ (DW12RUD))		Diesel	FWD	2179	103	140	08.19-10.23	■	
2.2 BlueHDi 165 (4HH (DW12RUC))		Diesel	FWD	2179	121	165	08.19-10.23	■	
2.2 HDi 100 (4HV (P22DTE))	Weig. 33000	Diesel	FWD	2198	74	101	04.06-	■	
2.2 HDi 110 (4HG (P22DTE))		Diesel	FWD	2198	81	110	07.11-12.20	■	
2.2 HDi 120 (4HU (P22DTE))		Diesel	FWD	2198	88	120	04.06-12.16	■	
2.2 HDi 130 (4HH (P22DTE))		Diesel	FWD	2198	96	130	07.11-	■	
2.2 HDi 150 (4HJ (P22DTE))	Weig. 3500	Diesel	FWD	2198	110	150	07.11-	■	
3.0 HDi 155 (F1CE0481D (F30DT))		Diesel	FWD	2999	115	157	07.06-	■	
3.0 HDi 160 (F1CE0481D (F30DT))		Diesel	FWD	2999	116	157	09.06-	■	
3.0 HDi 180 (F1CE3481E (F30DTE))		Diesel	FWD	2999	130	177	07.11-	■	

JUMPER III / RELAY 04.06-

Platform/Chassis (LCVs-N1 Segment)

Engine/Model	Weight	Fuel	Drive	Year	CC	Kw	CV	Period	Application
è-JUMPER		Eléctrico	FWD		100	136	03.22-10.23	■	
2.0 BlueHDi 110 (AHM (DW10FUE))	Weig. 3500	Diesel	FWD	1997	81	110	11.15-09.19	■	
2.0 BlueHDi 130 (AHN (DW10FUD))		Diesel	FWD	1997	96	130	11.15-09.19	■	
2.0 BlueHDi 130 4x4 (AHN (DW10FUD))		Diesel	4WD	1997	96	130	11.15-09.19	■	
2.0 BlueHDi 160 (AHP (DW10FUC))		Diesel	FWD	1997	120	163	11.15-09.19	■	
2.0 BlueHDi 160 4x4 (AHP (DW10FUC))		Diesel	4WD	1997	120	163	11.15-09.19	■	
2.2 BlueHDi 120 (4HK (DW12RUE))		Diesel	FWD	2179	88	120	08.19-10.23	■	

LISTA DE APLICACIONES - BUYERS GUIDE

2.2 BlueHDi 140 (4HJ (DW12RUD))		Diesel	FWD	2179	103	140	08.19-10.23	■
2.2 BlueHDi 165 (4HH (DW12RUC))		Diesel	FWD	2179	121	165	08.19-10.23	■
2.2 HDi 100 (4HV (P22DTE))		Diesel	FWD	2198	74	101	04.06-	■
2.2 HDi 110 (4HG (P22DTE))		Diesel	FWD	2198	81	110	07.11-12.20	■
2.2 HDi 120 (4HU (P22DTE))		Diesel	FWD	2198	88	120	04.06-12.16	■
2.2 HDi 130 (4HH (P22DTE))		Diesel	FWD	2198	96	130	07.06-	■
2.2 HDi 150 (4HJ (P22DTE))		Diesel	FWD	2198	110	150	07.11-	■
3.0 HDi 145 (F30DTE (F1CE3481N))		Diesel	FWD	2999	107	146	07.10-12.13	■
3.0 HDi 160 (F1CE0481D (F30DT))		Diesel	FWD	2999	116	157	09.06-12.15	■
3.0 HDi 180 (F1CE3481E (F30DTE))		Diesel	FWD	2999	130	177	07.11-	■
JUMPER III / RELAY 04.06-						Van (LCVs-N1 Segment)		
è-JUMPER		Eléctrico	FWD		100	136	07.21-10.23	■
2.0 BlueHDi 110 (AHM (DW10FUE))		Diesel	FWD	1997	81	110	11.15-09.19	■
2.0 BlueHDi 130 (AHN (DW10FUD))		Diesel	FWD	1997	96	130	11.15-09.19	■
2.0 BlueHDi 160 (AHP (DW10FUC))		Diesel	FWD	1997	120	163	11.15-09.19	■
2.0 BlueHDi 160 4x4 (AHP (DW10FUC))		Diesel	4WD	1997	120	163	11.15-09.19	■
2.2 BlueHDi 120 (4HK (DW12RUE))		Diesel	FWD	2179	88	120	08.19-10.23	■
2.2 BlueHDi 140 (4HJ (DW12RUD))		Diesel	FWD	2179	103	140	08.19-10.23	■
2.2 BlueHDi 165 (4HH (DW12RUC))	Weig. 3500	Diesel	FWD	2179	121	165	08.19-10.23	■
2.2 HDi 100 (4HV (P22DTE))		Diesel	FWD	2198	74	101	04.06-12.12	■
2.2 HDi 110 (4HG (P22DTE))		Diesel	FWD	2198	81	110	07.11-12.20	■
2.2 HDi 120 (4HU (P22DTE))		Diesel	FWD	2198	88	120	04.06-12.16	■
2.2 HDi 130 (4HH (P22DTE))		Diesel	FWD	2198	96	130	07.11-	■
2.2 HDi 150 (4HJ (P22DTE))		Diesel	FWD	2198	110	150	07.11-	■
3.0 HDi 145 (F30DTE (F1CE3481N))		Diesel	FWD	2999	107	146	07.10-12.13	■
3.0 HDi 155 (F1CE0481D (F30DT))		Diesel	FWD	2999	115	156	07.06-12.15	■
3.0 HDi 160 (F1CE0481D (F30DT))		Diesel	FWD	2999	116	157	09.06-12.15	■
3.0 HDi 180 (F1CE3481E (F30DTE))		Diesel	FWD	2999	130	177	07.11-	■
FIAT								
DUCATO III (250_) 07.06-						Bus (Minibus-M2-Segment)		
115 Multijet 2,0 D (250 A1.000)	03/14-, Type 30,33,35	Diesel	FWD	1956	85	116	06.11-	■
115 Multijet 2,0 D (250 A2.000)	03/14-, Type 30,33,35	Diesel	FWD	1956	85	116	06.11-	■
140 Multijet 2,2 D	not elec.brak.detent, Eq.V_ For heavy duty truck, Eq.V_ For light duty truck	Diesel	FWD	2184	103	140	07.21-10.23	■
100 Multijet 2,2 D (4HV)	Type 30,33,35	Diesel	FWD	2198	74	101	07.06-05.11	■
110 Multijet 2,3 D (F1AE3481G)		Diesel	FWD	2287	82	111	05.14-	■
110 Multijet 2,3 D (F1AE3481G)	03/14-, Type 30,33,35	Diesel	FWD	2287	83	113	10.11-07.14	■
120 Multijet 2,3 D (F1AE0481D)	03/14-, Type 30,33,35	Diesel	FWD	2287	88	120	07.06-10.13	■
130 Multijet 2,3 D	03/14-, Type 30,33,35	Diesel	FWD	2287	93	126	01.10-	■
130 Multijet 2,3 D (F1AE0481N)	03/14-, Type 30,33,35	Diesel	FWD	2287	96	131	01.07-	■
130 Multijet 2,3 D (F1AE3481D)	03/14-, Type 30,33,35	Diesel	FWD	2287	96	131	01.07-	■
130 Multijet 2,3 D (F1AGL411D)	03/14-, Type 30,33,35	Diesel	FWD	2287	96	131	01.07-	■
140 Multijet 2,3 D (F1AGL4113)		Diesel	FWD	2287	103	140	05.19-	■
150 Multijet 2,3 D (F1AE3481E)	03/14-, Type 30,33,35	Diesel	FWD	2287	109	148	06.11-	■
150 Multijet 2,3 D (F1AGL411A)	Type 30,33,35	Diesel	FWD	2287	110	150	04.15-	■
150 Multijet 2,3 D (F1AGL411C)	Type 30,33,35	Diesel	FWD	2287	110	150	04.15-	■
160 Multijet 2,3 D (F1AGL4112)		Diesel	FWD	2287	118	160	05.19-	■
180 Multijet 2,3 D	Type 30,33,35	Diesel	FWD	2287	130	177	12.15-	■
180 Multijet 2,3 D (F1AGL4111)		Diesel	FWD	2287	130	177	05.19-	■
150 Multijet 3,0 D (F1CE3481N)	03/14-, Type 30,33,35	Diesel	FWD	2999	107	146	04.10-07.14	■
160 Multijet 3,0 D (F1CE0481D)	03/14-, Type 30,33,35	Diesel	FWD	2999	115	156	10.06-05.11	■

LISTA DE APLICACIONES - BUYERS GUIDE

160 Multijet 3,0 D (F1CE0481D)	03/14-, Type 30,33,35	Diesel	FWD	2999	116	158	07.06-05.11	■
160 Multijet 3,0 D (F1CE3481M)	03/14-, Type 30,33,35	Diesel	FWD	2999	116	158	07.06-05.11	■
180 Multijet 3,0 D (F1CE3481E)	03/14-, Type 30,33,35	Diesel	FWD	2999	130	177	06.11-	■
140 Natural Power (F1CE0441A)	03/14-, Type 30,33,35	CNG	FWD	2999	100	136	04.09-	■
140 Natural Power (F1CFA401A)	03/14-, Type 30,33,35	CNG	FWD	2999	100	136	04.09-	■
DUCATO III (250_) 07.06-						Platform/Chassis (LCVs-N1 Segment)		
115 Multijet 2,0 D (250 A1.000)	03/14-, Type 30,33,35	Diesel	FWD	1956	85	116	06.11-	■
115 Multijet 2,0 D (250 A2.000)	03/14-, Type 30,33,35	Diesel	FWD	1956	85	116	06.11-	■
120 Multijet 2,2 D	not elec.brak.detent, Eq.V_ For heavy duty truck, Eq.V_ For light duty truck	Diesel	FWD	2184	88	120	07.21-	■
140 Multijet 2,2 D	not elec.brak.detent, Eq.V_ For heavy duty truck, Eq.V_ For light duty truck	Diesel	FWD	2184	103	140	07.21-	■
160 Multijet 2,2 D	not elec.brak.detent, Eq.V_ For heavy duty truck, Eq.V_ For light duty truck	Diesel	FWD	2184	118	160	07.21-10.23	■
180 Multijet 2,2 D	not elec.brak.detent, Eq.V_ For heavy duty truck, Eq.V_ For light duty truck	Diesel	FWD	2184	132	180	07.21-	■
100 Multijet 2,2 D (4HV)	03/14-, Type 30,33,35	Diesel	FWD	2198	74	101	07.06-05.11	■
110 Multijet 2,3 D (F1AE3481G)		Diesel	FWD	2287	82	111	08.06-	■
110 Multijet 2,3 D (F1AE3481G)	03/14-, Type 30,33,35	Diesel	FWD	2287	83	113	10.11-07.14	■
120 Multijet 2,3 D (F1AE0481D)	03/14-, Type 30,33,35	Diesel	FWD	2287	88	120	07.06-	■
120 Multijet 2,3 D (F1AGL4114)	03/14-, Type 30,33,35	Diesel	FWD	2287	88	120	07.06-	■
120 Multijet 2,3 D 4x4 (F1AE0481D)	03/14-, Type 30,33,35	Diesel	4WD	2287	88	120	03.10-	■
130 Multijet 2,3 D	03/14-, Type 30,33,35	Diesel	FWD	2287	93	126	08.06-	■
130 Multijet 2,3 D (F1AE0481N)	03/14-, Type 30,33,35	Diesel	FWD	2287	96	131	08.06-	■
130 Multijet 2,3 D (F1AE3481D)	03/14-, Type 30,33,35	Diesel	FWD	2287	96	131	08.06-	■
130 Multijet 2,3 D (F1AGL411D)	03/14-, Type 30,33,35	Diesel	FWD	2287	96	131	08.06-	■
140 Multijet 2,3 D (F1AGL4113)		Diesel	FWD	2287	103	140	05.19-	■
150 Multijet 2,3 D (F1AE3481E)	03/14-, Type 30,33,35	Diesel	FWD	2287	109	148	06.11-	■
150 Multijet 2,3 D (F1AGL411C)	Type 30,33,35	Diesel	FWD	2287	110	150	12.15-	■
160 Multijet 2,3 D (F1AGL4112)		Diesel	FWD	2287	118	160	05.19-	■
180 Multijet 2,3 D (F1AGL4111)	Type 30,33,35	Diesel	FWD	2287	130	177	12.15-	■
180 Multijet 2,3 D (F1AGL411B)	Type 30,33,35	Diesel	FWD	2287	130	177	12.15-	■
150 Multijet 3,0 D (F1CE3481N)	03/14-, Type 30,33,35	Diesel	FWD	2999	107	146	04.10-07.14	■
160 Multijet 3,0 D (F1CE0481D)	03/14-, Type 30,33,35	Diesel	FWD	2999	116	158	07.06-05.14	■
180 Multijet 3,0 D (F1CE3481E)	03/14-, Type 30,33,35	Diesel	FWD	2999	130	177	06.11-	■
140 Natural Power (F1CE0441A)	03/14-, Type 30,33,35	CNG	FWD	2999	100	136	04.09-	■
140 Natural Power (F1CFA401A)	03/14-, Type 30,33,35	CNG	FWD	2999	100	136	04.09-	■
DUCATO III (250_) 07.06-						Van (LCVs-N1 Segment)		
115 Multijet 2,0 D (250 A1.000)	03/14-, Type 30,33,35	Diesel	FWD	1956	85	116	06.11-	■
115 Multijet 2,0 D (250 A2.000)	03/14-, Type 30,33,35	Diesel	FWD	1956	85	116	06.11-	■
120 Multijet 2,2 D	not elec.brak.detent, Eq.V_ For heavy duty truck, Eq.V_ For light duty truck	Diesel	FWD	2184	88	120	07.21-	■
140 Multijet 2,2 D	not elec.brak.detent, Eq.V_ For heavy duty truck, Eq.V_ For light duty truck	Diesel	FWD	2184	103	140	07.21-	■
160 Multijet 2,2 D	not elec.brak.detent, Eq.V_ For heavy duty truck, Eq.V_ For light duty truck	Diesel	FWD	2184	118	160	07.21-10.23	■
180 Multijet 2,2 D	not elec.brak.detent, Eq.V_ For heavy duty truck, Eq.V_ For light duty truck	Diesel	FWD	2184	132	180	07.21-	■
100 Multijet 2,2 D (4HV)	03/14-, Type 30,33,35	Diesel	FWD	2198	74	101	07.06-05.11	■
110 Multijet 2,3 D (F1AE3481G)		Diesel	FWD	2287	82	111	05.14-	■

LISTA DE APLICACIONES - BUYERS GUIDE

110 Multijet 2,3 D (F1AE3481G)	03/14-, Type 30,33,35	Diesel	FWD	2287	83	113	10.11-07.14	■
120 Multijet 2,3 D (F1AE0481D)	03/14-, Type 30,33,35	Diesel	FWD	2287	88	120	07.06-	■
120 Multijet 2,3 D (F1AGL4114)	03/14-, Type 30,33,35	Diesel	FWD	2287	88	120	07.06-	■
120 Multijet 2,3 D 4x4 (F1AE0481D)	03/14-, Type 30,33,35	Diesel	4WD	2287	88	120	03.10-	■
130 Multijet 2,3 D	03/14-, Type 30,33,35	Diesel	FWD	2287	93	126	08.06-12.18	■
130 Multijet 2,3 D (F1AE0481N)	03/14-, Type 30,33,35	Diesel	FWD	2287	96	131	08.06-	■
130 Multijet 2,3 D (F1AE3481D)	03/14-, Type 30,33,35	Diesel	FWD	2287	96	131	08.06-	■
130 Multijet 2,3 D (F1AGL411D)	03/14-, Type 30,33,35	Diesel	FWD	2287	96	131	08.06-	■
140 Multijet 2,3 D (F1AGL4113)		Diesel	FWD	2287	103	140	05.19-	■
150 Multijet 2,3 D (F1AE3481E)	03/14-, Type 30,33,35	Diesel	FWD	2287	109	148	06.11-	■
150 Multijet 2,3 D (F1AGL411A)	Type 30,33,35	Diesel	FWD	2287	110	150	12.15-	■
150 Multijet 2,3 D (F1AGL411C)	Type 30,33,35	Diesel	FWD	2287	110	150	12.15-	■
160 Multijet 2,3 D (F1AGL4112)		Diesel	FWD	2287	118	160	05.19-	■
180 Multijet 2,3 D (F1AGL4111)	Type 30,33,35	Diesel	FWD	2287	130	177	12.15-	■
180 Multijet 2,3 D (F1AGL411B)	Type 30,33,35	Diesel	FWD	2287	130	177	12.15-	■
150 Multijet 3,0 D (F1CE3481N)	03/14-, Type 30,33,35	Diesel	FWD	2999	107	146	04.10-07.14	■
160 Multijet 3,0 D (F1CE3481M)		Diesel	FWD	2999	115	156	07.06-12.11	■
160 Multijet 3,0 D (F1CE0481D)	03/14-, Type 30,33,35	Diesel	FWD	2999	116	158	07.06-05.11	■
180 Multijet 3,0 D (F1CE3481E)	03/14-, Type 30,33,35	Diesel	FWD	2999	130	177	06.11-	■
140 Natural Power (F1CE0441A)	03/14-, Type 30,33,35	CNG	FWD	2999	100	136	04.09-	■
140 Natural Power (F1CFA401A)	03/14-, Type 30,33,35	CNG	FWD	2999	100	136	04.09-	■

OPEL

MOVANO C (U9, X250) 12.21-				Platform/Chassis (LCVs-N1 Segment)				
MOVANO-e		Eléctrico	FWD		100	136	04.23-10.23	■
2.2 D	discØ 296	Diesel	FWD	2179	88	120	12.21-10.23	■
2.2 D	discØ 300, Weig. 3500	Diesel	FWD	2179	103	140	12.21-10.23	■
2.2 D	discØ 298, Weig. 3500	Diesel	FWD	2179	121	165	12.21-10.23	■
MOVANO C (U9, X250) 12.21-				Van (LCVs-N1 Segment)				
MOVANO-e	discØ 288	Eléctrico	FWD		100	136	12.21-10.23	■
2.2 D	discØ 290	Diesel	FWD	2179	88	120	12.21-10.23	■
2.2 D	discØ 294	Diesel	FWD	2179	103	140	12.21-10.23	■
2.2 D	discØ 292, Weig. 3500	Diesel	FWD	2179	121	165	12.21-10.23	■

PEUGEOT

BOXER III / MANAGER 09.05-				Bus (Minibus-M2-Segment)				
2.0 BlueHDi 110 (AHM (DW10FUE))		Diesel	FWD	1997	81	110	07.15-09.19	■
2.0 BlueHDi 130 (AHN (DW10FUD))		Diesel	FWD	1997	96	130	07.15-09.19	■
2.0 BlueHDi 160 (AHP (DW10FUC))		Diesel	FWD	1997	120	163	07.15-09.19	■
2.2 BlueHDi 120 (4HK (DW12RUE))		Diesel	FWD	2179	88	120	07.19-10.23	■
2.2 BlueHDi 140 (4HJ (DW12RUD))		Diesel	FWD	2179	103	140	07.19-	■
2.2 BlueHDi 165 (4HH (DW12RUC))		Diesel	FWD	2179	121	165	08.19-10.23	■
2.2 HDi 100 (4HV (P22DTE))		Diesel	FWD	2198	74	101	04.06-	■
2.2 HDi 110 (4HG (P22DTE))		Diesel	FWD	2198	81	110	03.11-12.20	■
2.2 HDi 120 (4HU (P22DTE))		Diesel	FWD	2198	88	120	04.06-12.16	■
2.2 HDi 130 (4HH (P22DTE))		Diesel	FWD	2198	96	131	03.11-	■
2.2 HDi 150 (4HJ (P22DTE))		Diesel	FWD	2198	110	150	03.11-	■
3.0 HDi 145 (F1CE3481N (F30DTE))		Diesel	FWD	2999	107	146	04.10-12.13	■
3.0 HDi 160 (F1CE0481D (F30DT))		Diesel	FWD	2999	115	156	04.06-12.15	■
3.0 HDi 175 (F1CE3481E (F30DTE))		Diesel	FWD	2999	130	177	03.11-	■

LISTA DE APLICACIONES - BUYERS GUIDE

BOXER III / MANAGER 04.06-					Platform/Chassis (LCVs-N1 Segment)			
e-Boxer		Eléctrico	FWD		100	136	11.21-10.23	■
2.0 BlueHDi 110 (AHM (DW10FUE))		Diesel	FWD	1997	81	110	03.16-09.19	■
2.0 BlueHDi 130 (AHN (DW10FUD))		Diesel	FWD	1997	96	130	03.16-09.19	■
2.0 BlueHDi 160 (AHP (DW10FUC))		Diesel	FWD	1997	120	163	03.16-12.23	■
2.2 BlueHDi 120 (4HK (DW12RUE))		Diesel	FWD	2179	88	120	08.19-10.23	■
2.2 BlueHDi 140 (4HJ (DW12RUD))		Diesel	FWD	2179	103	140	08.19-10.23	■
2.2 BlueHDi 165 (4HH (DW12RUC))		Diesel	FWD	2179	121	165	08.19-10.23	■
2.2 HDi 100 (4HV (P22DTE))		Diesel	FWD	2198	74	101	04.06-	■
2.2 HDi 110 (4HG (P22DTE))		Diesel	FWD	2198	81	110	03.11-12.20	■
2.2 HDi 120 (4HU (P22DTE))		Diesel	FWD	2198	88	120	04.06-12.16	■
2.2 HDi 130 (4HH (P22DTE))		Diesel	FWD	2198	96	131	04.06-	■
2.2 HDi 150 (4HJ (P22DTE))		Diesel	FWD	2198	110	150	03.11-	■
3.0 HDi 145 (F1CE3481N (F30DTE))		Diesel	FWD	2999	107	146	04.10-12.13	■
3.0 HDi 155 (F1CE0481D (F30DT))		Diesel	FWD	2999	115	156	04.06-12.15	■
3.0 HDi 160 (F1CE0481D (F30DT))		Diesel	FWD	2999	116	156	04.06-12.15	■
3.0 HDi 175 (F1CE3481E (F30DTE))		Diesel	FWD	2999	130	177	03.11-	■
BOXER III / MANAGER 04.06-					Van (LCVs-N1 Segment)			
e-Boxer		Eléctrico	FWD		100	136	07.21-10.23	■
2.0 BlueHDi 110 (AHM (DW10FUE))		Diesel	FWD	1997	81	110	03.16-09.19	■
2.0 BlueHDi 130 (AHN (DW10FUD))		Diesel	FWD	1997	96	130	03.16-09.19	■
2.0 FURGAO (AHN (DW10FUD))		Diesel	FWD	1997	96	130	01.19-	■
2.0 BlueHDi 160 (AHP (DW10FUC))		Diesel	FWD	1997	120	163	03.16-12.23	■
2.2 BlueHDi 120 (4HK (DW12RUE))		Diesel	FWD	2179	88	120	07.19-10.23	■
2.2 BlueHDi 140 (4HJ (DW12RUD))		Diesel	FWD	2179	103	140	07.19-	■
2.2 BlueHDi 165 (4HH (DW12RUC))		Diesel	FWD	2179	121	165	07.19-10.23	■
2.2 HDi 100 (4HV (P22DTE))		Diesel	FWD	2198	74	101	04.06-	■
2.2 HDi 110 (4HG (P22DTE))		Diesel	FWD	2198	81	110	03.11-12.20	■
2.2 HDi 120 (4HU (P22DTE))		Diesel	FWD	2198	88	120	04.06-12.16	■
2.2 HDi 130 (4HH (P22DTE))		Diesel	FWD	2198	96	131	03.11-	■
2.2 HDi 150 (4HJ (P22DTE))		Diesel	FWD	2198	110	150	03.11-	■
3.0 HDi 145 (F1CE3481N (F30DTE))		Diesel	FWD	2999	107	146	04.10-12.13	■
3.0 HDi 155 (F1CE0481D (F30DT))		Diesel	FWD	2999	115	156	07.06-12.15	■
3.0 HDi 160 (F1CE0481D (F30DT))		Diesel	FWD	2999	116	156	04.06-12.15	■
3.0 HDi 175 (F1CE3481E (F30DTE))		Diesel	FWD	2999	130	177	03.11-	■
RAM								
PROMASTER 1500 (VF1) 09.13-					Van (LCVs-N1 Segment)			
3.6		Gasolina	FWD	3604	209	284	09.13-	■
PROMASTER 2500 (VF2) 09.13-					Van (LCVs-N1 Segment)			
3.6		Gasolina	FWD	3604	209	284	09.13-	■
PROMASTER 3500 (VF3) 09.13-					Van (LCVs-N1 Segment)			
3.6		Gasolina	FWD	3604	209	284	09.13-	■
VAUXHALL								
MOVANO Mk III © (U9, X250) 12.21-					Platform/Chassis (LCVs-N1 Segment)			
2.2 D	discØ 286	Diesel	FWD	2179	103	140	12.21-04.25	■
2.2 D		Diesel	FWD	2179	121	165	12.22-10.23	■
MOVANO Mk III © (U9, X250) 12.21-					Van (LCVs-N1 Segment)			
MOVANO-e	discØ 280	Eléctrico	FWD		100	136	12.21-10.23	■

LISTA DE APLICACIONES - BUYERS GUIDE

2.2 D		Diesel	FWD	2179	88	120	12.22-10.23	■
2.2 D	discØ 284, Weig. 3500	Diesel	FWD	2179	103	140	12.21-10.23	■
2.2 D	discØ 282	Diesel	FWD	2179	121	165	12.21-10.23	■