

LISTA DE APLICACIONES - BUYERS GUIDE

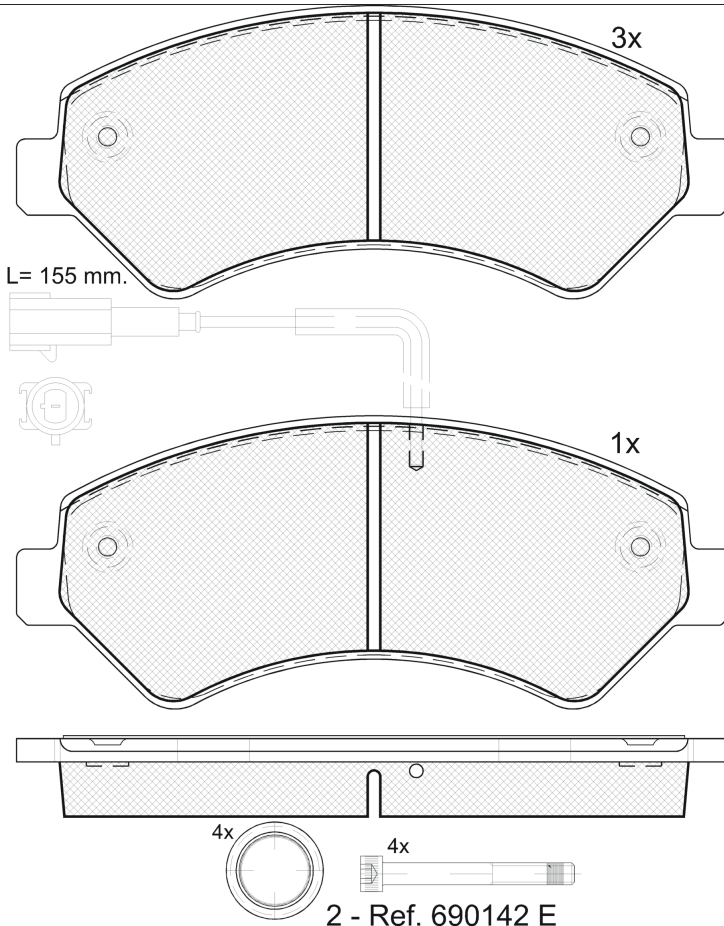
141836



Qty: 300

Weight: 2.620

O.E.M.	MAKE
16 078 787 80	PEUGEOT
16 238 425 80	PEUGEOT
16 238 426 80	PEUGEOT
1673603680	PEUGEOT
1673603780	PEUGEOT
4253.73	PEUGEOT
4253.74	CITROËN
4253.75	PEUGEOT
4253.76	CITROËN
4254.63	CITROËN
4254.64	CITROËN
60 01 073 128	FIAT
7 177 004 0	FIAT
7 177 004 2	FIAT
7 177 314 5	FIAT
7 736 401 5	FIAT
7 736 416 1	FIAT
7 736 431 8	FIAT
7 736 431 9	FIAT
86 60 004 724	RENAULT
86 71 016 688	RENAULT



141836

E 9 90R-01111/2243



Brembo

169.1x69.4x19.1

WVA	FMSI
22022	D1540-8748
24466	
24467	

MAKE
CITROËN
FIAT
OPEL
PEUGEOT
RAM
VAUXHALL



Trac.	CC	Kw	CV
-------	----	----	----



Front / Rear

CITROËN

JUMPER III / RELAY 04.06-

							Bus (Minibus-M2-Segment)			
2.0 BlueHdi 110 (AHM (DW10FUE))	Kg. 2000	Diesel	FWD	1997	81	110	07.15-09.19	■		
2.0 BlueHdi 130 (AHN (DW10FUD))	Kg. 2000	Diesel	FWD	1997	96	130	07.15-09.19	■		
2.0 BlueHdi 160 (AHP (DW10FUC))	Kg. 2000	Diesel	FWD	1997	120	163	07.15-09.19	■		
2.2 HDi 100 (4HV (P22DTE))	Kg. 2000	Diesel	FWD	2198	74	101	04.06-	■		
2.2 HDi 110 (4HG (P22DTE))	Kg. 2000	Diesel	FWD	2198	81	110	07.11-12.20	■		
2.2 HDi 120 (4HU (P22DTE))	Kg. 2000	Diesel	FWD	2198	88	120	04.06-12.16	■		
2.2 HDi 130 (4HH (P22DTE))	Kg. 2000	Diesel	FWD	2198	96	130	07.11-	■		
2.2 HDi 150 (4HJ (P22DTE))	Kg. 2000	Diesel	FWD	2198	110	150	07.11-	■		
3.0 HDi 155 (F1CE0481D (F30DT))	Kg. 2000	Diesel	FWD	2999	115	157	07.06-	■		
3.0 HDi 160 (F1CE0481D (F30DT))	Kg. 2000	Diesel	FWD	2999	116	157	09.06-	■		
3.0 HDi 180 (F1CE3481E (F30DTE))	Kg. 2000	Diesel	FWD	2999	130	177	07.11-	■		

JUMPER III / RELAY 04.06-

							Platform/Chassis (LCVs-N1 Segment)			
è-JUMPER		Eléctrico	FWD		100	136	03.22-10.23	■		
2.0 BlueHdi 110 (AHM (DW10FUE))	Kg. 2000	Diesel	FWD	1997	81	110	11.15-09.19	■		
2.0 BlueHdi 130 (AHN (DW10FUD))	Kg. 2000	Diesel	FWD	1997	96	130	11.15-09.19	■		
2.0 BlueHdi 130 4x4 (AHN (DW10FUD))	Kg. 2000	Diesel	4WD	1997	96	130	11.15-09.19	■		
2.0 BlueHdi 160 (AHP (DW10FUC))	Kg. 2000	Diesel	FWD	1997	120	163	11.15-09.19	■		
2.0 BlueHdi 160 4x4 (AHP (DW10FUC))	Kg. 2000	Diesel	4WD	1997	120	163	11.15-09.19	■		
2.2 BlueHdi 120		Diesel	FWD	2184	88	120	11.23-	■		
2.2 BlueHdi 140		Diesel	FWD	2184	103	140	11.23-	■		
2.2 BlueHdi 180		Diesel	FWD	2184	132	180	11.23-	■		
2.2 HDi 100 (4HV (P22DTE))	Kg. 2000	Diesel	FWD	2198	74	101	04.06-	■		

LISTA DE APLICACIONES - BUYERS GUIDE

2.2 HDi 110 (4HG (P22DTE))	Kg. 2000	Diesel	FWD	2198	81	110	07.11-12.20	■
2.2 HDi 120 (4HU (P22DTE))	Kg. 2000	Diesel	FWD	2198	88	120	04.06-12.16	■
2.2 HDi 130 (4HH (P22DTE))	Kg. 2000	Diesel	FWD	2198	96	130	07.06-	■
2.2 HDi 150 (4HJ (P22DTE))	Kg. 2000	Diesel	FWD	2198	110	150	07.11-	■
3.0 HDi 145 (F30DTE (F1CE3481N))	Kg. 2000	Diesel	FWD	2999	107	146	07.10-12.13	■
3.0 HDi 160 (F1CE0481D (F30DT))	Kg. 2000	Diesel	FWD	2999	116	157	09.06-12.15	■
3.0 HDi 180 (F1CE3481E (F30DTE))	Kg. 2000	Diesel	FWD	2999	130	177	07.11-	■
JUMPER III / RELAY 04.06-				Van (LCVs-N1 Segment)				
è-JUMPER		Eléctrico	FWD		100	136	07.21-10.23	■
2.0 BlueHDi 110 (AHM (DW10FUE))	Kg. 2000	Diesel	FWD	1997	81	110	11.15-09.19	■
2.0 BlueHDi 130 (AHN (DW10FUD))	Kg. 2000	Diesel	FWD	1997	96	130	11.15-09.19	■
2.0 BlueHDi 160 (AHP (DW10FUC))	Kg. 2000	Diesel	FWD	1997	120	163	11.15-09.19	■
2.0 BlueHDi 160 4x4 (AHP (DW10FUC))	Kg. 2000	Diesel	4WD	1997	120	163	11.15-09.19	■
2.2 BlueHDi 120		Diesel	FWD	2184	88	120	11.23-	■
2.2 BlueHDi 140		Diesel	FWD	2184	103	140	11.23-	■
2.2 BlueHDi 180		Diesel	FWD	2184	132	180	11.23-	■
2.2 HDi 100 (4HV (P22DTE))	Kg. 2000	Diesel	FWD	2198	74	101	04.06-12.12	■
2.2 HDi 110 (4HG (P22DTE))	Kg. 2000	Diesel	FWD	2198	81	110	07.11-12.20	■
2.2 HDi 120 (4HU (P22DTE))	Kg. 2000	Diesel	FWD	2198	88	120	04.06-12.16	■
2.2 HDi 130 (4HH (P22DTE))	Kg. 2000	Diesel	FWD	2198	96	130	07.11-	■
2.2 HDi 150 (4HJ (P22DTE))	Kg. 2000	Diesel	FWD	2198	110	150	07.11-	■
3.0 HDi 145 (F30DTE (F1CE3481N))	Kg. 2000	Diesel	FWD	2999	107	146	07.10-12.13	■
3.0 HDi 155 (F1CE0481D (F30DT))	Kg. 2000	Diesel	FWD	2999	115	156	07.06-12.15	■
3.0 HDi 160 (F1CE0481D (F30DT))	Kg. 2000	Diesel	FWD	2999	116	157	09.06-12.15	■
3.0 HDi 180 (F1CE3481E (F30DTE))	Kg. 2000	Diesel	FWD	2999	130	177	07.11-	■
FIAT								
DUCATO III (250_) 07.06-				Bus (Minibus-M2-Segment)				
E-Ducato (250DPE)		Eléctrico	FWD		90	122	02.21-10.23	■
115 Multijet 2,0 D (250 A1.000)	Kg. 2000	Diesel	FWD	1956	85	116	06.11-	■
115 Multijet 2,0 D (250 A2.000)	Kg. 2000	Diesel	FWD	1956	85	116	06.11-	■
100 Multijet 2,2 D (4HV)	Kg. 2000	Diesel	FWD	2198	74	101	07.06-05.11	■
110 Multijet 2,3 D (F1AE3481G)	Kg. 2000	Diesel	FWD	2287	83	113	10.11-07.14	■
120 Multijet 2,3 D (F1AE0481D)	Kg. 2000	Diesel	FWD	2287	88	120	07.06-10.13	■
130 Multijet 2,3 D	Kg. 2000	Diesel	FWD	2287	93	126	01.10-	■
130 Multijet 2,3 D (F1AE0481N)	Kg. 2000	Diesel	FWD	2287	96	131	01.07-	■
130 Multijet 2,3 D (F1AE3481D)	Kg. 2000	Diesel	FWD	2287	96	131	01.07-	■
130 Multijet 2,3 D (F1AGL411D)	Kg. 2000	Diesel	FWD	2287	96	131	01.07-	■
150 Multijet 2,3 D (F1AE3481E)	Kg. 2000	Diesel	FWD	2287	109	148	06.11-	■
150 Multijet 2,3 D (F1AGL411A)	Kg. 2000	Diesel	FWD	2287	110	150	04.15-	■
150 Multijet 2,3 D (F1AGL411C)	Kg. 2000	Diesel	FWD	2287	110	150	04.15-	■
180 Multijet 2,3 D	Kg. 2000	Diesel	FWD	2287	130	177	12.15-	■
150 Multijet 3,0 D (F1CE3481N)	Kg. 2000	Diesel	FWD	2999	107	146	04.10-07.14	■
160 Multijet 3,0 D (F1CE0481D)	Kg. 2000	Diesel	FWD	2999	115	156	10.06-05.11	■
160 Multijet 3,0 D (F1CE0481D)	Kg. 2000	Diesel	FWD	2999	116	158	07.06-05.11	■
160 Multijet 3,0 D (F1CE3481M)	Kg. 2000	Diesel	FWD	2999	116	158	07.06-05.11	■
180 Multijet 3,0 D (F1CE3481E)	Kg. 2000	Diesel	FWD	2999	130	177	06.11-	■
140 Natural Power (F1CE0441A)	Kg. 2000	CNG	FWD	2999	100	136	04.09-	■
140 Natural Power (F1CFA401A)	Kg. 2000	CNG	FWD	2999	100	136	04.09-	■
DUCATO III (250_) 07.06-				Platform/Chassis (LCVs-N1 Segment)				
E-Ducato (250DPE)		Eléctrico	FWD		90	122	02.21-10.23	■

LISTA DE APLICACIONES - BUYERS GUIDE

115 Multijet 2,0 D (250 A1.000)	Kg. 2000	Diesel	FWD	1956	85	116	06.11-	■
115 Multijet 2,0 D (250 A2.000)	Kg. 2000	Diesel	FWD	1956	85	116	06.11-	■
100 Multijet 2,2 D (4HV)	Kg. 2000	Diesel	FWD	2198	74	101	07.06-05.11	■
110 Multijet 2,3 D (F1AE3481G)	Kg. 2000	Diesel	FWD	2287	83	113	10.11-07.14	■
120 Multijet 2,3 D (F1AE0481D)	Kg. 2000	Diesel	FWD	2287	88	120	07.06-	■
120 Multijet 2,3 D (F1AGL4114)	Kg. 2000	Diesel	FWD	2287	88	120	07.06-	■
120 Multijet 2,3 D 4x4 (F1AE0481D)	Kg. 2000	Diesel	4WD	2287	88	120	03.10-	■
130 Multijet 2,3 D	Kg. 2000	Diesel	FWD	2287	93	126	08.06-	■
130 Multijet 2,3 D (F1AE0481N)	Kg. 2000	Diesel	FWD	2287	96	131	08.06-	■
130 Multijet 2,3 D (F1AE3481D)	Kg. 2000	Diesel	FWD	2287	96	131	08.06-	■
130 Multijet 2,3 D (F1AGL411D)	Kg. 2000	Diesel	FWD	2287	96	131	08.06-	■
150 Multijet 2,3 D (F1AE3481E)	Kg. 2000	Diesel	FWD	2287	109	148	06.11-	■
150 Multijet 2,3 D (F1AGL411C)	Kg. 2000	Diesel	FWD	2287	110	150	12.15-	■
180 Multijet 2,3 D (F1AGL4111)	Kg. 2000	Diesel	FWD	2287	130	177	12.15-	■
180 Multijet 2,3 D (F1AGL411B)	Kg. 2000	Diesel	FWD	2287	130	177	12.15-	■
150 Multijet 3,0 D (F1CE3481N)	Kg. 2000	Diesel	FWD	2999	107	146	04.10-07.14	■
160 Multijet 3,0 D (F1CE3481M)		Diesel	FWD	2999	115	156	07.06-05.11	■
160 Multijet 3,0 D (F1CE0481D)	Kg. 2000	Diesel	FWD	2999	116	158	07.06-05.14	■
180 Multijet 3,0 D (F1CE3481E)	Kg. 2000	Diesel	FWD	2999	130	177	06.11-	■
140 Natural Power (F1CE0441A)	Kg. 2000	CNG	FWD	2999	100	136	04.09-	■
140 Natural Power (F1CFA401A)	Kg. 2000	CNG	FWD	2999	100	136	04.09-	■
DUCATO III (250_) 07.06-				Van (LCVs-N1 Segment)				
E-Ducato (250DPE)		Eléctrico	FWD		90	122	12.20-10.23	■
115 Multijet 2,0 D (250 A1.000)	Kg. 2000	Diesel	FWD	1956	85	116	06.11-	■
115 Multijet 2,0 D (250 A2.000)	Kg. 2000	Diesel	FWD	1956	85	116	06.11-	■
100 Multijet 2,2 D (4HV)	Kg. 2000	Diesel	FWD	2198	74	101	07.06-05.11	■
110 Multijet 2,3 D (F1AE3481G)	Kg. 2000	Diesel	FWD	2287	83	113	10.11-07.14	■
120 Multijet 2,3 D (F1AE0481D)	Kg. 2000	Diesel	FWD	2287	88	120	07.06-	■
120 Multijet 2,3 D (F1AGL4114)	Kg. 2000	Diesel	FWD	2287	88	120	07.06-	■
120 Multijet 2,3 D 4x4 (F1AE0481D)	Kg. 2000	Diesel	4WD	2287	88	120	03.10-	■
130 Multijet 2,3 D	Kg. 2000	Diesel	FWD	2287	93	126	08.06-12.18	■
130 Multijet 2,3 D (F1AE0481N)		Diesel	FWD	2287	96	131	08.06-	■
130 Multijet 2,3 D (F1AE3481D)		Diesel	FWD	2287	96	131	08.06-	■
130 Multijet 2,3 D (F1AGL411D)		Diesel	FWD	2287	96	131	08.06-	■
150 Multijet 2,3 D (F1AE3481E)	Kg. 2000	Diesel	FWD	2287	109	148	06.11-	■
150 Multijet 2,3 D (F1AGL411A)	Kg. 2000	Diesel	FWD	2287	110	150	12.15-	■
150 Multijet 2,3 D (F1AGL411C)	Kg. 2000	Diesel	FWD	2287	110	150	12.15-	■
180 Multijet 2,3 D (F1AGL4111)	Kg. 2000	Diesel	FWD	2287	130	177	12.15-	■
180 Multijet 2,3 D (F1AGL411B)	Kg. 2000	Diesel	FWD	2287	130	177	12.15-	■
150 Multijet 3,0 D (F1CE3481N)	Kg. 2000	Diesel	FWD	2999	107	146	04.10-07.14	■
160 Multijet 3,0 D (F1CE3481M)		Diesel	FWD	2999	115	156	07.06-12.11	■
160 Multijet 3,0 D (F1CE0481D)	Kg. 2000	Diesel	FWD	2999	116	158	07.06-05.11	■
180 Multijet 3,0 D (F1CE3481E)	Kg. 2000	Diesel	FWD	2999	130	177	06.11-	■
140 Natural Power (F1CE0441A)	Kg. 2000	CNG	FWD	2999	100	136	04.09-	■
140 Natural Power (F1CFA401A)	Kg. 2000	CNG	FWD	2999	100	136	04.09-	■
OPEL								
MOVANO C (U9, X250) 12.21-				Platform/Chassis (LCVs-N1 Segment)				
MOVANO-e		Eléctrico	FWD		100	136	04.23-10.23	■
2.2 D		Diesel	FWD	2179	88	120	12.21-10.23	■
2.2 BlueHDi 120		Diesel	FWD	2184	88	120	11.23-	■

LISTA DE APLICACIONES - BUYERS GUIDE

2.2 BlueHDi 140		Diesel	FWD	2184	103	140	11.23-	■	
2.2 BlueHDi 180		Diesel	FWD	2184	132	180	11.23-	■	
MOVANO C (U9, X250) 12.21-					Van (LCVs-N1 Segment)				
MOVANO-e		Eléctrico	FWD		100	136	12.21-10.23	■	
2.2 D		Diesel	FWD	2179	88	120	12.21-10.23	■	
2.2 D		Diesel	FWD	2179	103	140	12.21-10.23	■	
2.2 BlueHDi 120		Diesel	FWD	2184	88	120	11.23-	■	
2.2 BlueHDi 140		Diesel	FWD	2184	103	140	11.23-	■	
2.2 BlueHDi 180		Diesel	FWD	2184	132	180	11.23-	■	
PEUGEOT									
BOXER III / MANAGER 09.05-					Bus (Minibus-M2-Segment)				
2.0 BlueHDi 110 (AHM (DW10FUE))	Kg. 2000	Diesel	FWD	1997	81	110	07.15-09.19	■	
2.0 BlueHDi 130 (AHN (DW10FUD))	Kg. 2000	Diesel	FWD	1997	96	130	07.15-09.19	■	
2.0 BlueHDi 160 (AHP (DW10FUC))	Kg. 2000	Diesel	FWD	1997	120	163	07.15-09.19	■	
2.2 HDi 100 (4HV (P22DTE))	Kg. 2000	Diesel	FWD	2198	74	101	04.06-	■	
2.2 HDi 110 (4HG (P22DTE))	Kg. 2000	Diesel	FWD	2198	81	110	03.11-12.20	■	
2.2 HDi 120 (4HU (P22DTE))	Kg. 2000	Diesel	FWD	2198	88	120	04.06-12.16	■	
2.2 HDi 130 (4HH (P22DTE))	Kg. 2000	Diesel	FWD	2198	96	131	03.11-	■	
2.2 HDi 150 (4HJ (P22DTE))	Kg. 2000	Diesel	FWD	2198	110	150	03.11-	■	
3.0 HDi 145 (F1CE3481N (F30DTE))	Kg. 2000	Diesel	FWD	2999	107	146	04.10-12.13	■	
3.0 HDi 160 (F1CE0481D (F30DT))	Kg. 2000	Diesel	FWD	2999	115	156	04.06-12.15	■	
3.0 HDi 175 (F1CE3481E (F30DTE))	Kg. 2000	Diesel	FWD	2999	130	177	03.11-	■	
BOXER III / MANAGER 04.06-					Platform/Chassis (LCVs-N1 Segment)				
e-Boxer		Eléctrico	FWD		100	136	11.21-10.23	■	
2.0 BlueHDi 110 (AHM (DW10FUE))	Kg. 2000	Diesel	FWD	1997	81	110	03.16-09.19	■	
2.0 BlueHDi 130 (AHN (DW10FUD))	Kg. 2000	Diesel	FWD	1997	96	130	03.16-09.19	■	
2.0 BlueHDi 160 (AHP (DW10FUC))	Kg. 2000	Diesel	FWD	1997	120	163	03.16-12.23	■	
2.2 BlueHDi 120		Diesel	FWD	2184	88	120	11.23-	■	
2.2 BlueHDi 140		Diesel	FWD	2184	103	140	11.23-	■	
2.2 BlueHDi 180		Diesel	FWD	2184	132	180	11.23-	■	
2.2 HDi 100 (4HV (P22DTE))	Kg. 2000	Diesel	FWD	2198	74	101	04.06-	■	
2.2 HDi 110 (4HG (P22DTE))	Kg. 2000	Diesel	FWD	2198	81	110	03.11-12.20	■	
2.2 HDi 120 (4HU (P22DTE))	Kg. 2000	Diesel	FWD	2198	88	120	04.06-12.16	■	
2.2 HDi 130 (4HH (P22DTE))	Kg. 2000	Diesel	FWD	2198	96	131	04.06-	■	
2.2 HDi 150 (4HJ (P22DTE))	Kg. 2000	Diesel	FWD	2198	110	150	03.11-	■	
3.0 HDi 145 (F1CE3481N (F30DTE))	Kg. 2000	Diesel	FWD	2999	107	146	04.10-12.13	■	
3.0 HDi 155 (F1CE0481D (F30DT))		Diesel	FWD	2999	115	156	04.06-12.15	■	
3.0 HDi 160 (F1CE0481D (F30DT))	Kg. 2000	Diesel	FWD	2999	116	156	04.06-12.15	■	
3.0 HDi 175 (F1CE3481E (F30DTE))	Kg. 2000	Diesel	FWD	2999	130	177	03.11-	■	
BOXER III / MANAGER 04.06-					Van (LCVs-N1 Segment)				
e-Boxer		Eléctrico	FWD		100	136	07.21-10.23	■	
2.0 BlueHDi 110 (AHM (DW10FUE))	Kg. 2000	Diesel	FWD	1997	81	110	03.16-09.19	■	
2.0 BlueHDi 130 (AHN (DW10FUD))	Kg. 2000	Diesel	FWD	1997	96	130	03.16-09.19	■	
2.0 FURGAO (AHN (DW10FUD))		Diesel	FWD	1997	96	130	01.19-	■	
2.0 BlueHDi 160 (AHP (DW10FUC))	Kg. 2000	Diesel	FWD	1997	120	163	03.16-12.23	■	
2.2 BlueHDi 120		Diesel	FWD	2184	88	120	11.23-	■	
2.2 BlueHDi 140		Diesel	FWD	2184	103	140	11.23-	■	
2.2 BlueHDi 180		Diesel	FWD	2184	132	180	11.23-	■	
2.2 HDi 100 (4HV (P22DTE))	Kg. 2000	Diesel	FWD	2198	74	101	04.06-	■	
2.2 HDi 110 (4HG (P22DTE))	Kg. 2000	Diesel	FWD	2198	81	110	03.11-12.20	■	

LISTA DE APLICACIONES - BUYERS GUIDE

2.2 HDi 120 (4HU (P22DTE))	Kg. 2000	Diesel	FWD	2198	88	120	04.06-12.16	■
2.2 HDi 130 (4HH (P22DTE))	Kg. 2000	Diesel	FWD	2198	96	131	03.11-	■
2.2 HDi 150 (4HJ (P22DTE))	Kg. 2000	Diesel	FWD	2198	110	150	03.11-	■
3.0 HDi 145 (F1CE3481N (F30DTE))	Kg. 2000	Diesel	FWD	2999	107	146	04.10-12.13	■
3.0 HDi 155 (F1CE0481D (F30DT))		Diesel	FWD	2999	115	156	07.06-12.15	■
3.0 HDi 160 (F1CE0481D (F30DT))	Kg. 2000	Diesel	FWD	2999	116	156	04.06-12.15	■
3.0 HDi 175 (F1CE3481E (F30DTE))	Kg. 2000	Diesel	FWD	2999	130	177	03.11-	■

RAM

PROMASTER 1500 (VF1) 09.13-						Van (LCVs-N1 Segment)			
3.6	Kg. 2000	Gasolina	FWD	3604	209	284	09.13-	■	
PROMASTER 2500 (VF2) 09.13-						Van (LCVs-N1 Segment)			
3.6	Kg. 2000	Gasolina	FWD	3604	209	284	09.13-	■	
PROMASTER 3500 (VF3) 09.13-						Van (LCVs-N1 Segment)			
3.6	Kg. 2000	Gasolina	FWD	3604	209	284	09.13-	■	

VAUXHALL

MOVANO Mk III © (U9, X250) 12.21-						Platform/Chassis (LCVs-N1 Segment)			
2.2 D		Diesel	FWD	2179	103	140	12.21-04.25	■	
2.2 D		Diesel	FWD	2179	121	165	12.22-10.23	■	
MOVANO Mk III © (U9, X250) 12.21-						Van (LCVs-N1 Segment)			
2.2 D		Diesel	FWD	2179	121	165	12.21-10.23	■	
2.2 D		Diesel	FWD	2184	103	140	11.23-	■	
2.2 D		Diesel	FWD	2184	132	180	11.23-	■	