

LISTA DE APLICACIONES - BUYERS GUIDE

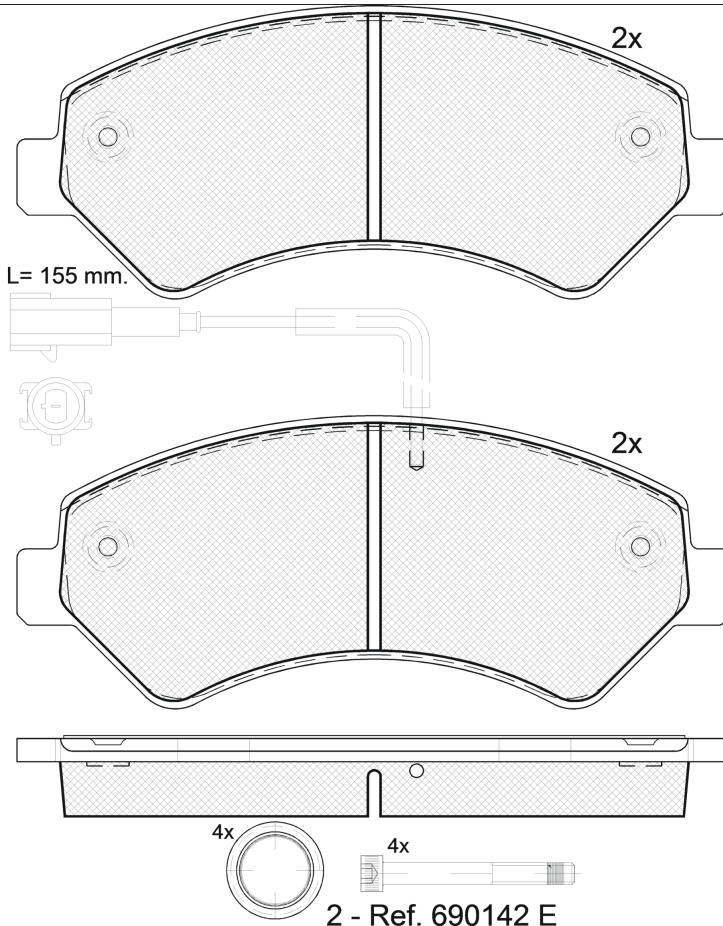
141836-203



Qty: 300

Weight: 2.630

O.E.M.	MAKE
16 078 789 80	PEUGEOT
16 124 336 80	CITROËN
16 124 337 80	PEUGEOT
16 736 035 80	VAUXHALL
1673603780	PEUGEOT
6 823 692 1AA	FIAT
7 736 602 1	FIAT
7 736 602 2	FIAT
7 736 602 3	FIAT
7 736 602 4	FIAT
7 736 709 0	FIAT



141836-203



90R-01111/2243



Brembo

169.1x69.4x19.1

WVA	FMSI
22022	D1540-8973
24466	
24467	

MAKE
CITROËN
FIAT
OPEL
PEUGEOT
RAM
VAUXHALL



Trac.	CC	Kw	CV
-------	----	----	----



Front / Rear

CITROËN

JUMPER III / RELAY 04.06-

							Bus (Minibus-M2-Segment)		
2.0 BlueHDi 110 (AHM (DW10FUE))		Diesel	FWD	1997	81	110	07.15-09.19	■	
2.0 BlueHDi 130 (AHN (DW10FUD))		Diesel	FWD	1997	96	130	07.15-09.19	■	
2.0 BlueHDi 160 (AHP (DW10FUC))		Diesel	FWD	1997	120	163	07.15-09.19	■	
2.2 HDi 100 (4HV (P22DTE))		Diesel	FWD	2198	74	101	04.06-	■	
2.2 HDi 110 (4HG (P22DTE))		Diesel	FWD	2198	81	110	07.11-12.20	■	
2.2 HDi 120 (4HU (P22DTE))		Diesel	FWD	2198	88	120	04.06-12.16	■	
2.2 HDi 130 (4HH (P22DTE))		Diesel	FWD	2198	96	130	07.11-	■	
2.2 HDi 150 (4HJ (P22DTE))		Diesel	FWD	2198	110	150	07.11-	■	
3.0 HDi 155 (F1CE0481D (F30DT))		Diesel	FWD	2999	115	157	07.06-	■	
3.0 HDi 160 (F1CE0481D (F30DT))		Diesel	FWD	2999	116	157	09.06-	■	
3.0 HDi 180 (F1CE3481E (F30DTE))		Diesel	FWD	2999	130	177	07.11-	■	

JUMPER III / RELAY 04.06-

							Platform/Chassis (LCVs-N1 Segment)		
è-JUMPER		Eléctrico	FWD		100	136	03.22-10.23	■	
2.0 BlueHDi 110 (AHM (DW10FUE))		Diesel	FWD	1997	81	110	11.15-09.19	■	
2.0 BlueHDi 130 (AHN (DW10FUD))	increased payload	Diesel	FWD	1997	96	130	11.15-09.19	■	
2.0 BlueHDi 130 4x4 (AHN (DW10FUD))		Diesel	4WD	1997	96	130	11.15-09.19	■	
2.0 BlueHDi 160 (AHP (DW10FUC))		Diesel	FWD	1997	120	163	11.15-09.19	■	
2.0 BlueHDi 160 4x4 (AHP (DW10FUC))		Diesel	4WD	1997	120	163	11.15-09.19	■	
2.2 BlueHDi 120 (4HK (DW12RUE))		Diesel	FWD	2179	88	120	08.19-10.23	■	
2.2 BlueHDi 140 (4HJ (DW12RUD))		Diesel	FWD	2179	103	140	08.19-10.23	■	
2.2 BlueHDi 165 (4HH (DW12RUC))		Diesel	FWD	2179	121	165	08.19-10.23	■	
2.2 BlueHDi 120		Diesel	FWD	2184	88	120	11.23-	■	

LISTA DE APLICACIONES - BUYERS GUIDE

2.2 BlueHDi 140		Diesel	FWD	2184	103	140	11.23-	■	
2.2 BlueHDi 180		Diesel	FWD	2184	132	180	11.23-	■	
2.2 HDi 100 (4HV (P22DTE))		Diesel	FWD	2198	74	101	04.06-	■	
2.2 HDi 110 (4HG (P22DTE))		Diesel	FWD	2198	81	110	07.11-12.20	■	
2.2 HDi 120 (4HU (P22DTE))		Diesel	FWD	2198	88	120	04.06-12.16	■	
2.2 HDi 130 (4HH (P22DTE))		Diesel	FWD	2198	96	130	07.06-	■	
2.2 HDi 150 (4HJ (P22DTE))		Diesel	FWD	2198	110	150	07.11-	■	
3.0 HDi 145 (F30DTE (F1CE3481N))		Diesel	FWD	2999	107	146	07.10-12.13	■	
3.0 HDi 160 (F1CE0481D (F30DT))		Diesel	FWD	2999	116	157	09.06-12.15	■	
3.0 HDi 180 (F1CE3481E (F30DTE))		Diesel	FWD	2999	130	177	07.11-	■	
JUMPER III / RELAY 04.06-						Van (LCVs-N1 Segment)			
è-JUMPER		Eléctrico	FWD		100	136	07.21-10.23	■	
2.0 BlueHDi 110 (AHM (DW10FUE))		Diesel	FWD	1997	81	110	11.15-09.19	■	
2.0 BlueHDi 130 (AHN (DW10FUD))		Diesel	FWD	1997	96	130	11.15-09.19	■	
2.0 BlueHDi 160 (AHP (DW10FUC))		Diesel	FWD	1997	120	163	11.15-09.19	■	
2.0 BlueHDi 160 4x4 (AHP (DW10FUC))		Diesel	4WD	1997	120	163	11.15-09.19	■	
2.2 BlueHDi 140 (4HJ (DW12RUD))		Diesel	FWD	2179	103	140	08.19-10.23	■	
2.2 BlueHDi 165 (4HH (DW12RUC))		Diesel	FWD	2179	121	165	08.19-10.23	■	
2.2 BlueHDi 120		Diesel	FWD	2184	88	120	11.23-	■	
2.2 BlueHDi 140		Diesel	FWD	2184	103	140	11.23-	■	
2.2 BlueHDi 180		Diesel	FWD	2184	132	180	11.23-	■	
2.2 HDi 100 (4HV (P22DTE))		Diesel	FWD	2198	74	101	04.06-12.12	■	
2.2 HDi 110 (4HG (P22DTE))		Diesel	FWD	2198	81	110	07.11-12.20	■	
2.2 HDi 120 (4HU (P22DTE))		Diesel	FWD	2198	88	120	04.06-12.16	■	
2.2 HDi 130 (4HH (P22DTE))		Diesel	FWD	2198	96	130	07.11-	■	
2.2 HDi 150 (4HJ (P22DTE))		Diesel	FWD	2198	110	150	07.11-	■	
3.0 HDi 145 (F30DTE (F1CE3481N))		Diesel	FWD	2999	107	146	07.10-12.13	■	
3.0 HDi 155 (F1CE0481D (F30DT))		Diesel	FWD	2999	115	156	07.06-12.15	■	
3.0 HDi 160 (F1CE0481D (F30DT))		Diesel	FWD	2999	116	157	09.06-12.15	■	
3.0 HDi 180 (F1CE3481E (F30DTE))		Diesel	FWD	2999	130	177	07.11-	■	
FIAT									
DUCATO III (250_) 07.06-						Bus (Minibus-M2-Segment)			
115 Multijet 2,0 D (250 A1.000)	01/12-, Kg. 1700, increased payload	Diesel	FWD	1956	85	116	06.11-	■	
115 Multijet 2,0 D (250 A2.000)	01/12-, Kg. 1700, increased payload	Diesel	FWD	1956	85	116	06.11-	■	
140 Multijet 2,2 D	Manual Trans.6-speed, Eq.V_ For heavy duty truck, Eq.V_ For light duty truck	Diesel	FWD	2184	103	140	07.21-10.23	■	
100 Multijet 2,2 D (4HV)	Kg. 1700, increased payload	Diesel	FWD	2198	74	101	07.06-05.11	■	
110 Multijet 2,3 D (F1AE3481G)	01/12-, Kg. 1700, increased payload	Diesel	FWD	2287	83	113	10.11-07.14	■	
120 Multijet 2,3 D (F1AE0481D)	01/12-, Kg. 1700, increased payload	Diesel	FWD	2287	88	120	07.06-10.13	■	
130 Multijet 2,3 D	01/12-, Kg. 1700, increased payload	Diesel	FWD	2287	93	126	01.10-	■	
130 Multijet 2,3 D (F1AE0481N)	01/12-, Kg. 1700, increased payload	Diesel	FWD	2287	96	131	01.07-	■	
130 Multijet 2,3 D (F1AE3481D)	01/12-, Kg. 1700, increased payload	Diesel	FWD	2287	96	131	01.07-	■	
130 Multijet 2,3 D (F1AGL411D)	01/12-, Kg. 1700, increased payload	Diesel	FWD	2287	96	131	01.07-	■	
140 Multijet 2,3 D (F1AGL4113)		Diesel	FWD	2287	103	140	05.19-	■	
150 Multijet 2,3 D (F1AE3481E)	01/12-, Kg. 1700, increased payload	Diesel	FWD	2287	109	148	06.11-	■	
150 Multijet 2,3 D (F1AGL411A)	Kg. 1700, increased payload	Diesel	FWD	2287	110	150	04.15-	■	

LISTA DE APLICACIONES - BUYERS GUIDE

150 Multijet 2,3 D (F1AGL411C)	Kg. 1700, increased payload	Diesel	FWD	2287	110	150	04.15-	■	
160 Multijet 2,3 D (F1AGL4112)		Diesel	FWD	2287	118	160	05.19-	■	
180 Multijet 2,3 D	Kg. 1700, increased payload	Diesel	FWD	2287	130	177	12.15-	■	
180 Multijet 2,3 D (F1AGL4111)		Diesel	FWD	2287	130	177	05.19-	■	
150 Multijet 3,0 D (F1CE3481N)	01/12-, Kg. 1700, increased payload	Diesel	FWD	2999	107	146	04.10-07.14	■	
160 Multijet 3,0 D (F1CE0481D)	01/12-, Kg. 1700, increased payload	Diesel	FWD	2999	115	156	10.06-05.11	■	
160 Multijet 3,0 D (F1CE0481D)	01/12-, Kg. 1700, increased payload	Diesel	FWD	2999	116	158	07.06-05.11	■	
160 Multijet 3,0 D (F1CE3481M)	01/12-, Kg. 1700, increased payload	Diesel	FWD	2999	116	158	07.06-05.11	■	
180 Multijet 3,0 D (F1CE3481E)	01/12-, Kg. 1700, increased payload	Diesel	FWD	2999	130	177	06.11-	■	
140 Natural Power (F1CE0441A)	01/12-, Kg. 1700, increased payload	CNG	FWD	2999	100	136	04.09-	■	
140 Natural Power (F1CFA401A)	01/12-, Kg. 1700, increased payload	CNG	FWD	2999	100	136	04.09-	■	
DUCATO III (250_) 07.06-							Platform/Chassis (LCVs-N1 Segment)		
115 Multijet 2,0 D (250 A1.000)	01/12-, Kg. 1700, increased payload	Diesel	FWD	1956	85	116	06.11-	■	
115 Multijet 2,0 D (250 A2.000)	01/12-, Kg. 1700, increased payload	Diesel	FWD	1956	85	116	06.11-	■	
120 Multijet 2,2 D	Eq.V_ For heavy duty truck	Diesel	FWD	2184	88	120	07.21-	■	
140 Multijet 2,2 D	Manual Trans.6-speed, Eq.V_ For heavy duty truck, Eq.V_ For light duty truck	Diesel	FWD	2184	103	140	07.21-	■	
160 Multijet 2,2 D	Manual Trans.6-speed, Eq.V_ For heavy duty truck, Eq.V_ For light duty truck	Diesel	FWD	2184	118	160	07.21-10.23	■	
180 Multijet 2,2 D	Manual Trans.6-speed, Eq.V_ For heavy duty truck, Eq.V_ For light duty truck	Diesel	FWD	2184	132	180	07.21-	■	
100 Multijet 2,2 D (4HV)	01/12-, Kg. 1700, increased payload	Diesel	FWD	2198	74	101	07.06-05.11	■	
110 Multijet 2,3 D (F1AE3481G)		Diesel	FWD	2287	82	111	08.06-	■	
110 Multijet 2,3 D (F1AE3481G)	01/12-, Kg. 1700, increased payload	Diesel	FWD	2287	83	113	10.11-07.14	■	
120 Multijet 2,3 D (F1AE0481D)	01/12-, Kg. 1700, increased payload	Diesel	FWD	2287	88	120	07.06-	■	
120 Multijet 2,3 D (F1AGL4114)	01/12-, Kg. 1700, increased payload	Diesel	FWD	2287	88	120	07.06-	■	
120 Multijet 2,3 D 4x4 (F1AE0481D)	01/12-, Kg. 1700, increased payload	Diesel	4WD	2287	88	120	03.10-	■	
130 Multijet 2,3 D	01/12-, Kg. 1700, increased payload	Diesel	FWD	2287	93	126	08.06-	■	
130 Multijet 2,3 D (F1AE0481N)	01/12-, Kg. 1700, increased payload	Diesel	FWD	2287	96	131	08.06-	■	
130 Multijet 2,3 D (F1AE3481D)	01/12-, Kg. 1700, increased payload	Diesel	FWD	2287	96	131	08.06-	■	
130 Multijet 2,3 D (F1AGL411D)	01/12-, Kg. 1700, increased payload	Diesel	FWD	2287	96	131	08.06-	■	
140 Multijet 2,3 D (F1AGL4113)		Diesel	FWD	2287	103	140	05.19-	■	
150 Multijet 2,3 D (F1AE3481E)	01/12-, Kg. 1700, increased payload	Diesel	FWD	2287	109	148	06.11-	■	
150 Multijet 2,3 D (F1AGL411C)	Kg. 1700, increased payload	Diesel	FWD	2287	110	150	12.15-	■	
160 Multijet 2,3 D (F1AGL4112)		Diesel	FWD	2287	118	160	05.19-	■	
180 Multijet 2,3 D (F1AGL4111)	Kg. 1700, increased payload	Diesel	FWD	2287	130	177	12.15-	■	
180 Multijet 2,3 D (F1AGL411B)	Kg. 1700, increased payload	Diesel	FWD	2287	130	177	12.15-	■	
150 Multijet 3,0 D (F1CE3481N)	01/12-, Kg. 1700, increased payload	Diesel	FWD	2999	107	146	04.10-07.14	■	
160 Multijet 3,0 D (F1CE3481M)		Diesel	FWD	2999	115	156	07.06-05.11	■	
160 Multijet 3,0 D (F1CE0481D)	01/12-, Kg. 1700, increased payload	Diesel	FWD	2999	116	158	07.06-05.14	■	
180 Multijet 3,0 D (F1CE3481E)	01/12-, Kg. 1700, increased payload	Diesel	FWD	2999	130	177	06.11-	■	

LISTA DE APLICACIONES - BUYERS GUIDE

140 Natural Power (F1CE0441A)	01/12-, Kg. 1700, increased payload	CNG	FWD	2999	100	136	04.09-	■	
140 Natural Power (F1CFA401A)	01/12-, Kg. 1700, increased payload	CNG	FWD	2999	100	136	04.09-	■	
DUCATO III (250_) 07.06-					Van (LCVs-N1 Segment)				
115 Multijet 2,0 D (250 A1.000)	01/12-, Kg. 1700, increased payload	Diesel	FWD	1956	85	116	06.11-	■	
115 Multijet 2,0 D (250 A2.000)	01/12-, Kg. 1700, increased payload	Diesel	FWD	1956	85	116	06.11-	■	
120 Multijet 2,2 D	Eq.V_ For heavy duty truck	Diesel	FWD	2184	88	120	07.21-	■	
140 Multijet 2,2 D	Manual Trans.6-speed, Eq.V_ For heavy duty truck, Eq.V_ For light duty truck	Diesel	FWD	2184	103	140	07.21-	■	
160 Multijet 2,2 D	Manual Trans.6-speed, Eq.V_ For heavy duty truck, Eq.V_ For light duty truck	Diesel	FWD	2184	118	160	07.21-10.23	■	
180 Multijet 2,2 D	Manual Trans.6-speed, Eq.V_ For heavy duty truck, Eq.V_ For light duty truck	Diesel	FWD	2184	132	180	07.21-	■	
100 Multijet 2,2 D (4HV)	01/12-, Kg. 1700, increased payload	Diesel	FWD	2198	74	101	07.06-05.11	■	
110 Multijet 2,3 D (F1AE3481G)		Diesel	FWD	2287	82	111	05.14-	■	
110 Multijet 2,3 D (F1AE3481G)	01/12-, Kg. 1700, increased payload	Diesel	FWD	2287	83	113	10.11-07.14	■	
120 Multijet 2,3 D (F1AE0481D)	01/12-, Kg. 1700, increased payload	Diesel	FWD	2287	88	120	07.06-	■	
120 Multijet 2,3 D (F1AGL4114)	01/12-, Kg. 1700, increased payload	Diesel	FWD	2287	88	120	07.06-	■	
120 Multijet 2,3 D 4x4 (F1AE0481D)	01/12-, Kg. 1700, increased payload	Diesel	4WD	2287	88	120	03.10-	■	
130 Multijet 2,3 D	01/12-, Kg. 1700, increased payload	Diesel	FWD	2287	93	126	08.06-12.18	■	
130 Multijet 2,3 D (F1AE0481N)	01/12-, Kg. 1700, increased payload	Diesel	FWD	2287	96	131	08.06-	■	
130 Multijet 2,3 D (F1AE3481D)	01/12-, Kg. 1700, increased payload	Diesel	FWD	2287	96	131	08.06-	■	
130 Multijet 2,3 D (F1AGL411D)	01/12-, Kg. 1700, increased payload	Diesel	FWD	2287	96	131	08.06-	■	
140 Multijet 2,3 D (F1AGL4113)		Diesel	FWD	2287	103	140	05.19-	■	
150 Multijet 2,3 D (F1AE3481E)	01/12-, Kg. 1700, increased payload	Diesel	FWD	2287	109	148	06.11-	■	
150 Multijet 2,3 D (F1AGL411A)	Kg. 1700, increased payload	Diesel	FWD	2287	110	150	12.15-	■	
150 Multijet 2,3 D (F1AGL411C)	Kg. 1700, increased payload	Diesel	FWD	2287	110	150	12.15-	■	
160 Multijet 2,3 D (F1AGL4112)		Diesel	FWD	2287	118	160	05.19-	■	
180 Multijet 2,3 D (F1AGL4111)	Kg. 1700, increased payload	Diesel	FWD	2287	130	177	12.15-	■	
180 Multijet 2,3 D (F1AGL411B)	Kg. 1700, increased payload	Diesel	FWD	2287	130	177	12.15-	■	
150 Multijet 3,0 D (F1CE3481N)	01/12-, Kg. 1700, increased payload	Diesel	FWD	2999	107	146	04.10-07.14	■	
160 Multijet 3,0 D (F1CE3481M)		Diesel	FWD	2999	115	156	07.06-12.11	■	
160 Multijet 3,0 D (F1CE0481D)	01/12-, Kg. 1700, increased payload	Diesel	FWD	2999	116	158	07.06-05.11	■	
180 Multijet 3,0 D (F1CE3481E)	01/12-, Kg. 1700, increased payload	Diesel	FWD	2999	130	177	06.11-	■	
140 Natural Power (F1CE0441A)	01/12-, Kg. 1700, increased payload	CNG	FWD	2999	100	136	04.09-	■	
140 Natural Power (F1CFA401A)	01/12-, Kg. 1700, increased payload	CNG	FWD	2999	100	136	04.09-	■	

OPEL

				Platform/Chassis (LCVs-N1 Segment)				
MOVANO C (U9, X250) 12.21-								
MOVANO-e		Eléctrico	FWD		100	136	04.23-10.23	■
2.2 D		Diesel	FWD	2179	88	120	12.21-10.23	■
2.2 D	discØ 300, Weig. 4000, Eq.V_ HEAVY DUTY TRUCK	Diesel	FWD	2179	103	140	12.21-10.23	■
2.2 D	discØ 300, Weig. 4000, Eq.V_ HEAVY DUTY TRUCK	Diesel	FWD	2179	121	165	12.21-10.23	■

LISTA DE APLICACIONES - BUYERS GUIDE

2.2 BlueHDi 120		Diesel	FWD	2184	88	120	11.23-	■	
2.2 BlueHDi 140		Diesel	FWD	2184	103	140	11.23-	■	
2.2 BlueHDi 180		Diesel	FWD	2184	132	180	11.23-	■	
MOVANO C (U9, X250) 12.21-						Van (LCVs-N1 Segment)			
MOVANO-e		Eléctrico	FWD		100	136	12.21-10.23	■	
2.2 D		Diesel	FWD	2179	88	120	12.21-10.23	■	
2.2 D		Diesel	FWD	2179	103	140	12.21-10.23	■	
2.2 D	discØ 300, Weig. 4000, Eq.V_ HEAVY DUTY TRUCK	Diesel	FWD	2179	121	165	12.21-10.23	■	
2.2 BlueHDi 120		Diesel	FWD	2184	88	120	11.23-	■	
2.2 BlueHDi 140		Diesel	FWD	2184	103	140	11.23-	■	
2.2 BlueHDi 180		Diesel	FWD	2184	132	180	11.23-	■	
PEUGEOT									
BOXER III / MANAGER 09.05-						Bus (Minibus-M2-Segment)			
2.0 BlueHDi 110 (AHM (DW10FUE))	Kg. 1700, increased payload	Diesel	FWD	1997	81	110	07.15-09.19	■	
2.0 BlueHDi 130 (AHN (DW10FUD))	Kg. 1700, increased payload	Diesel	FWD	1997	96	130	07.15-09.19	■	
2.0 BlueHDi 160 (AHP (DW10FUC))	Kg. 1700, increased payload	Diesel	FWD	1997	120	163	07.15-09.19	■	
2.2 HDi 100 (4HV (P22DTE))	01/12-, Kg. 1700, increased payload	Diesel	FWD	2198	74	101	04.06-	■	
2.2 HDi 110 (4HG (P22DTE))	01/12-, Kg. 1700, increased payload	Diesel	FWD	2198	81	110	03.11-12.20	■	
2.2 HDi 120 (4HU (P22DTE))	01/12-, Kg. 1700, increased payload	Diesel	FWD	2198	88	120	04.06-12.16	■	
2.2 HDi 130 (4HH (P22DTE))	01/12-, Kg. 1700, increased payload	Diesel	FWD	2198	96	131	03.11-	■	
2.2 HDi 150 (4HJ (P22DTE))	01/12-, Kg. 1700, increased payload	Diesel	FWD	2198	110	150	03.11-	■	
3.0 HDi 145 (F1CE3481N (F30DTE))	01/12-, Kg. 1700, increased payload	Diesel	FWD	2999	107	146	04.10-12.13	■	
3.0 HDi 160 (F1CE0481D (F30DT))	01/12-, Kg. 1700, increased payload	Diesel	FWD	2999	115	156	04.06-12.15	■	
3.0 HDi 175 (F1CE3481E (F30DTE))	01/12-, Kg. 1700, increased payload	Diesel	FWD	2999	130	177	03.11-	■	
BOXER III / MANAGER 04.06-						Platform/Chassis (LCVs-N1 Segment)			
e-Boxer		Eléctrico	FWD		100	136	11.21-10.23	■	
2.0 BlueHDi 110 (AHM (DW10FUE))	Kg. 1700, increased payload	Diesel	FWD	1997	81	110	03.16-09.19	■	
2.0 BlueHDi 130 (AHN (DW10FUD))	Kg. 1700, increased payload	Diesel	FWD	1997	96	130	03.16-09.19	■	
2.0 BlueHDi 160 (AHP (DW10FUC))	Kg. 1700, increased payload	Diesel	FWD	1997	120	163	03.16-12.23	■	
2.2 BlueHDi 140 (4HJ (DW12RUD))		Diesel	FWD	2179	103	140	08.19-10.23	■	
2.2 BlueHDi 165 (4HH (DW12RUC))		Diesel	FWD	2179	121	165	08.19-10.23	■	
2.2 BlueHDi 120		Diesel	FWD	2184	88	120	11.23-	■	
2.2 BlueHDi 140		Diesel	FWD	2184	103	140	11.23-	■	
2.2 BlueHDi 180		Diesel	FWD	2184	132	180	11.23-	■	
2.2 HDi 100 (4HV (P22DTE))	01/12-, Kg. 1700, increased payload	Diesel	FWD	2198	74	101	04.06-	■	
2.2 HDi 110 (4HG (P22DTE))	01/12-, Kg. 1700, increased payload	Diesel	FWD	2198	81	110	03.11-12.20	■	
2.2 HDi 120 (4HU (P22DTE))	01/12-, Kg. 1700, increased payload	Diesel	FWD	2198	88	120	04.06-12.16	■	
2.2 HDi 130 (4HH (P22DTE))	01/12-, Kg. 1700, increased payload	Diesel	FWD	2198	96	131	04.06-	■	
2.2 HDi 150 (4HJ (P22DTE))	01/12-, Kg. 1700, increased payload	Diesel	FWD	2198	110	150	03.11-	■	
3.0 HDi 145 (F1CE3481N (F30DTE))	01/12-, Kg. 1700, increased payload	Diesel	FWD	2999	107	146	04.10-12.13	■	
3.0 HDi 155 (F1CE0481D (F30DT))	01/12-, Kg. 1700, increased payload	Diesel	FWD	2999	115	156	04.06-12.15	■	
3.0 HDi 160 (F1CE0481D (F30DT))	01/12-, Kg. 1700, increased payload	Diesel	FWD	2999	116	156	04.06-12.15	■	

LISTA DE APLICACIONES - BUYERS GUIDE

3.0 HDi 175 (F1CE3481E (F30DTE))	01/12-, Kg. 1700, increased payload	Diesel	FWD	2999	130	177	03.11-	■	
BOXER III / MANAGER 04.06-					Van (LCVs-N1 Segment)				
e-Boxer		Eléctrico	FWD		100	136	07.21-10.23	■	
2.0 BlueHdi 110 (AHM (DW10FUE))	Kg. 1700, increased payload	Diesel	FWD	1997	81	110	03.16-09.19	■	
2.0 BlueHdi 130 (AHN (DW10FUD))	Kg. 1700, increased payload	Diesel	FWD	1997	96	130	03.16-09.19	■	
2.0 FURGAO (AHN (DW10FUD))		Diesel	FWD	1997	96	130	01.19-	■	
2.0 BlueHdi 160 (AHP (DW10FUC))	Kg. 1700, increased payload	Diesel	FWD	1997	120	163	03.16-12.23	■	
2.2 BlueHdi 140 (4HJ (DW12RUD))		Diesel	FWD	2179	103	140	07.19-	■	
2.2 BlueHdi 165 (4HH (DW12RUC))		Diesel	FWD	2179	121	165	07.19-10.23	■	
2.2 BlueHdi 120		Diesel	FWD	2184	88	120	11.23-	■	
2.2 BlueHdi 140		Diesel	FWD	2184	103	140	11.23-	■	
2.2 BlueHdi 180		Diesel	FWD	2184	132	180	11.23-	■	
2.2 HDi 100 (4HV (P22DTE))	01/12-, Kg. 1700, increased payload	Diesel	FWD	2198	74	101	04.06-	■	
2.2 HDi 110 (4HG (P22DTE))	01/12-, Kg. 1700, increased payload	Diesel	FWD	2198	81	110	03.11-12.20	■	
2.2 HDi 120 (4HU (P22DTE))	01/12-, Kg. 1700, increased payload	Diesel	FWD	2198	88	120	04.06-12.16	■	
2.2 HDi 130 (4HH (P22DTE))	01/12-, Kg. 1700, increased payload	Diesel	FWD	2198	96	131	03.11-	■	
2.2 HDi 150 (4HJ (P22DTE))	01/12-, Kg. 1700, increased payload	Diesel	FWD	2198	110	150	03.11-	■	
3.0 HDi 145 (F1CE3481N (F30DTE))	01/12-, Kg. 1700, increased payload	Diesel	FWD	2999	107	146	04.10-12.13	■	
3.0 HDi 155 (F1CE0481D (F30DT))	01/12-, Kg. 1700, increased payload	Diesel	FWD	2999	115	156	07.06-12.15	■	
3.0 HDi 160 (F1CE0481D (F30DT))	01/12-, Kg. 1700, increased payload	Diesel	FWD	2999	116	156	04.06-12.15	■	
3.0 HDi 175 (F1CE3481E (F30DTE))	01/12-, Kg. 1700, increased payload	Diesel	FWD	2999	130	177	03.11-	■	
RAM									
PROMASTER 1500 (VF1) 09.13-					Van (LCVs-N1 Segment)				
3.6		Gasolina	FWD	3604	209	284	09.13-	■	
PROMASTER 2500 (VF2) 09.13-					Van (LCVs-N1 Segment)				
3.6		Gasolina	FWD	3604	209	284	09.13-	■	
PROMASTER 3500 (VF3) 09.13-					Van (LCVs-N1 Segment)				
3.6		Gasolina	FWD	3604	209	284	09.13-	■	
VAUXHALL									
MOVANO Mk III © (U9, X250) 12.21-					Platform/Chassis (LCVs-N1 Segment)				
2.2 D		Diesel	FWD	2179	103	140	12.21-04.25	■	
2.2 D		Diesel	FWD	2179	121	165	12.22-10.23	■	
MOVANO Mk III © (U9, X250) 12.21-					Van (LCVs-N1 Segment)				
2.2 D	discØ 300, Weig. 4000, Eq.V_ HEAVY DUTY TRUCK	Diesel	FWD	2179	103	140	12.21-10.23	■	
2.2 D		Diesel	FWD	2179	121	165	12.21-10.23	■	
2.2 D		Diesel	FWD	2184	103	140	11.23-	■	
2.2 D		Diesel	FWD	2184	132	180	11.23-	■	