

LISTA DE APLICACIONES - BUYERS GUIDE

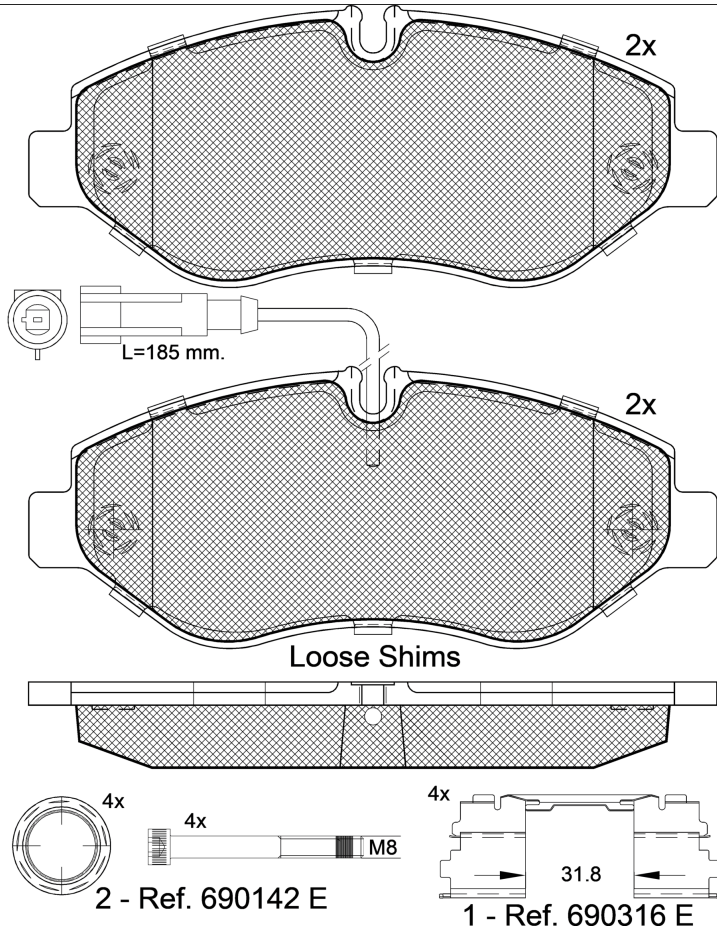
141846-066



Qty: 300

Weight: 2.655

O.E.M.	MAKE
5001 868 606	RENAULT TRUCKS
74 85 116 333	RENAULT TRUCKS
D1060-MB200	NISSAN
D1060-MB600	NISSAN
D1060-MB60A	NISSAN



141846-066

E 9 90R-01111/2209



Brembo

163.2x66.8x20.9

WVA	FMSI
29229	D1581-8793
29230	
MAKE	
NISSAN	
RENAULT TRUCKS	



Trac.	CC	Kw	CV
-------	----	----	----



NISSAN								Front / Rear
CABSTAR 09.06-12.12							Platform/Chassis	
28.11		Diesel		2488	81	110	10.06-	■
35.13 (YD25DDTI)		Diesel		2488	96	130	09.06-12.12	■
35.13 (YD25ETI)		Diesel		2488	96	130	09.06-12.12	■
35.15 (ZD30H HD-5)		Diesel		2953	101	137	10.06-	■
CABSTAR (F23, H41, H42) 07.92-09.11							Platform/Chassis (LCVs-N1 Segment)	
2.5 dCi		Diesel	RWD	2488	96	131	10.06-09.11	■
CABSTAR E (F24M, F24W) 09.06-12.13							Platform/Chassis (LCVs-N1 Segment)	
28.11 DCI, 32.11 DCI, 35.11 DCI 2.5 (F24M) (YD25DDTI)		Diesel	RWD	2488	81	110	09.06-12.13	■
34.110 DCI 2.5 (F24M) (YD25DDTI)		Diesel	RWD	2488	82	111	01.07-04.12	■
28.12 DCI, 32.12 DCI, 34.12 DCI, 35.12 DCI 2.5 (F24M) (YD25DDTI)		Diesel	RWD	2488	90	122	09.06-12.13	■
35.13 DCI, 45.13 DCI 2.5 (F24M) (YD25DDTI)		Diesel	RWD	2488	96	131	09.06-12.12	■
35.14 DCI, 45.14 DCI 2.5 (F24M) (YD25DDTI)		Diesel	RWD	2488	100	136	09.06-12.13	■
35.14 DCI, 45.14 DCI 2.5 (F24M) (YD25K3LD-5MI)		Diesel	RWD	2488	100	136	09.06-12.13	■
35.14 DCI 3.0 (F24M) (ZD30DDTI)		Diesel	RWD	2953	101	137	09.06-12.13	■
35.15 DCI, 45.15 DCI 3.0 (F24M) (ZD30)		Diesel	RWD	2953	110	150	09.06-12.13	■
35.15 DCI, 45.15 DCI 3.0 (F24M) (ZD30DDTI)		Diesel	RWD	2953	110	150	09.06-12.13	■
35.15 DCI, 45.15 DCI 3.0 (F24M) (ZD30H HD-5)		Diesel	RWD	2953	110	150	09.06-12.13	■
NT400 CABSTAR (F24F) 01.14-							Dump Truck	
35.12 (YD25K3LD-5LO)		Diesel		2488	90	122	01.14-	■
35.14 (YD25K3LD-5LO)	Weig. 3500	Diesel		2488	100	136	01.14-	■

LISTA DE APLICACIONES - BUYERS GUIDE

NT400 CABSTAR (F24M) 09.16-					Dump Truck (Volquete-N2 Segment)			
35.13		Diesel	RWD	2953	96	130	09.16-	■
35.15, 45.15	Weig. 3500	Diesel	RWD	2953	110	150	09.16-	■
NT400 CABSTAR (F24F) 01.14-					Platform/Chassis			
28.12 (YD25K3LD-5LO)		Diesel		2488	90	122	01.14-	■
32.12 (YD25K3LD-5LO)		Diesel		2488	90	122	01.14-	■
35.12 (YD25K3LD-5LO)		Diesel		2488	90	122	01.14-	■
35.14, 35.15 (YD25K3LD-5LO)	Weig. 3500	Diesel		2488	100	136	01.14-	■
45.15 (YD25K3LD-5LO)	Weig. 3500	Diesel		2488	107	145	01.14-	■
NT400 CABSTAR (F24M) 08.09-					Platform/Chassis (LCVs-N1 Segment)			
28.12, 32.12, 35.12 (F91AN, F24M) (YD25K3LD-5LO)		Diesel	RWD	2488	90	122	01.14-	■
35.14, 45.14 (YD25K3LD-5MI)		Diesel	RWD	2488	100	136	01.14-	■
35.15, 45.15 (YD25K3LD-5HO)		Diesel	RWD	2488	107	146	01.14-	■
35.13 (ZD30DDTI)		Diesel	RWD	2953	96	130	09.16-	■
35.15, 45.15 (ZD30DDTI)	Weig. 3500	Diesel	RWD	2953	110	150	09.16-	■
RENAULT TRUCKS								
Maxity 03.07-					Dump Truck			
110.28 (DXI 2,5)		Diesel		2488	81	110	03.07-	■
110.28 (YD25DDTI)		Diesel		2488	81	110	03.07-	■
110.32 (DXI 2,5)		Diesel		2488	81	110	03.07-	■
110.32 (YD25DDTI)		Diesel		2488	81	110	03.07-	■
110.35 (DXI 2,5)		Diesel		2488	81	110	03.07-	■
110.35 (YD25DDTI)		Diesel		2488	81	110	03.07-	■
130.35 (DXI 2,5)		Diesel		2488	96	130	03.07-	■
130.35 (YD25DDTI)		Diesel		2488	96	130	03.07-	■
150.35 (DXI 3)		Diesel		2953	110	150	03.07-	■
150.35 (ZD30DTI)		Diesel		2953	110	150	03.07-	■
Maxity 03.07-					Platform/Chassis			
110.28 (DXI 2,5)		Diesel		2488	81	110	03.07-	■
110.28 (YD25DDTI)		Diesel		2488	81	110	03.07-	■
110.32 (DXI 2,5)		Diesel		2488	81	110	03.07-	■
110.32 (YD25DDTI)		Diesel		2488	81	110	03.07-	■
110.35 (DXI 2,5)		Diesel		2488	81	110	03.07-	■
110.35 (YD25DDTI)		Diesel		2488	81	110	03.07-	■
130.35 (DXI 2,5)		Diesel		2488	96	130	03.07-	■
130.35 (YD25DDTI)		Diesel		2488	96	130	03.07-	■
150.35 (DXI 3)		Diesel		2953	110	150	03.07-	■
150.35 (ZD30DTI)		Diesel		2953	110	150	03.07-	■