

LISTA DE APLICACIONES - BUYERS GUIDE

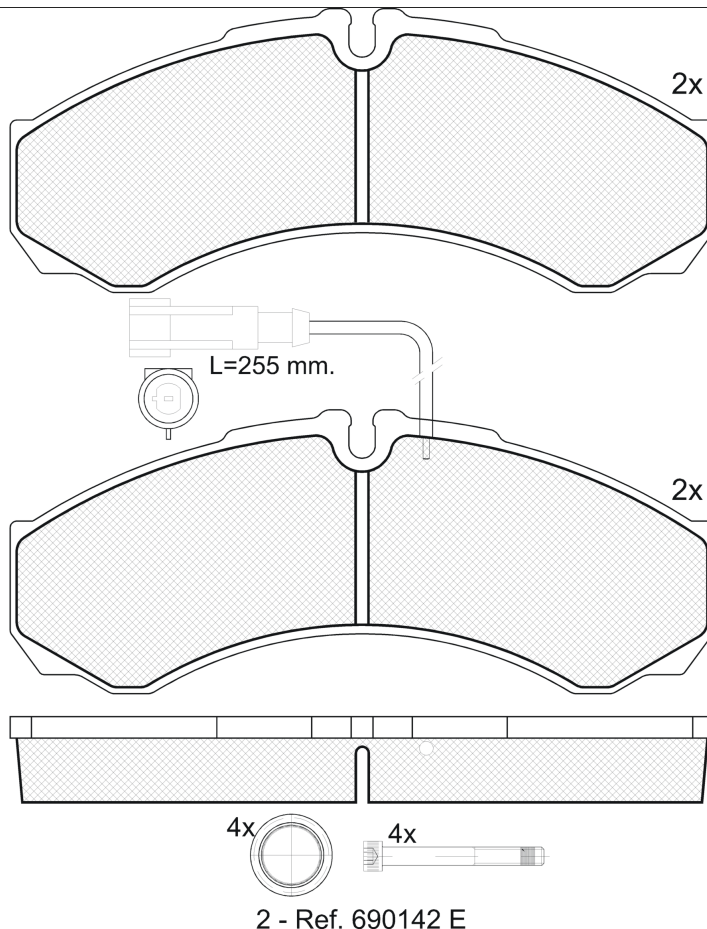
141848



Qty: 300

Weight: 2.300

O.E.M.	MAKE
41060-9X126	NISSAN
44060-MB40A	NISSAN
5001 868 609	RENAULT TRUCKS
D4060-9X126	NISSAN
D4060-9X60A	NISSAN
D4060-MB40A	NISSAN



141848

E 9 90R-01111/1318



Brembo

164.7x66.6x20

WVA	FMSI
29121	D1487-8835
29260	D2083-9318
MAKE	
DADI	
FORD ASIA & OCEANIA	
HONDA	
NISSAN	
PONTIAC	
RENAULT TRUCKS	
TOYOTA	



Trac.	CC	Kw	CV
-------	----	----	----



Front / Rear

DADI

CITY COURSER II 09.04-	Closed Off-Road Vehicle (Compact SUV-J Segment)			
2.2	Gasolina	FWD	2237	76 103 09.04-12.12
2.4	Gasolina	FWD	2438	90 122 09.04-10.05
2.8 D	Diesel	RWD	2771	57 78 09.04-

FORD ASIA & OCEANIA

FESTIVA (BA_2, BJ_2) 11.90-09.04	Saloon (Supermini car-B Segment)			
1.8 GT	Gasolina	FWD	1840	84 114 09.98-10.01

HONDA

CITY IV / FIT ARIA (GE4) 11.02-03.09	Saloon (Supermini car-B Segment)			
1.5 FF	Gasolina	FWD	1497	79 107 10.05-07.08

NISSAN

CABSTAR 09.06-12.12	Platform/Chassis			
45.13 (YD25DDTI)	Diesel		2488	96 130 10.06-
45.15 (ZD30)	Diesel		2953	110 149 10.06-
45.15 (ZD30DDTI)	Diesel		2953	110 149 10.06-
45.15 (ZD30H HD-5)	Diesel		2953	110 149 10.06-

CABSTAR E (F24M, F24W) 09.06-12.13	Platform/Chassis (LCVs-N1 Segment)			
35.13 DCI, 45.13 DCI 2.5 (F24M) (YD25DDTI)	Diesel	RWD	2488	96 131 09.06-12.12
35.14 DCI, 45.14 DCI 2.5 (F24M) (YD25DDTI)	Diesel	RWD	2488	100 136 09.06-12.13
35.14 DCI, 45.14 DCI 2.5 (F24M) (YD25K3LD-5MI)	Diesel	RWD	2488	100 136 09.06-12.13
35.15 DCI, 45.15 DCI 3.0 (F24M) (ZD30)	Diesel	RWD	2953	110 150 09.06-12.13

LISTA DE APLICACIONES - BUYERS GUIDE

35.15 DCI, 45.15 DCI 3.0 (F24M) (ZD30DDTI)		Diesel	RWD	2953	110	150	09.06-12.13	■	
35.15 DCI, 45.15 DCI 3.0 (F24M) (ZD30H HD-5)		Diesel	RWD	2953	110	150	09.06-12.13	■	
NT400 CABSTAR (F24F) 01.14-					Dump Truck				
35.14 (YD25K3LD-5LO)	Weig. 4500	Diesel		2488	100	136	01.14-	■	
NT400 CABSTAR (F24M) 09.16-					Dump Truck (Volquete-N2 Segment)				
35.15, 45.15	Weig. 4500	Diesel	RWD	2953	110	150	09.16-	■	
NT400 CABSTAR (F24F) 01.14-					Platform/Chassis				
35.14, 35.15 (YD25K3LD-5LO)	Weig. 4500	Diesel		2488	100	136	01.14-	■	
45.15 (YD25K3LD-5LO)	Weig. 4500	Diesel		2488	107	145	01.14-	■	
NT400 CABSTAR (F24M) 08.09-					Platform/Chassis (LCVs-N1 Segment)				
35.14, 45.14 (YD25K3LD-5MI)		Diesel	RWD	2488	100	136	01.14-	■	
35.15, 45.15 (YD25K3LD-5HO)		Diesel	RWD	2488	107	146	01.14-	■	
35.13 (ZD30DDTI)		Diesel	RWD	2953	96	130	09.16-	■	
35.15, 45.15 (ZD30DDTI)	Weig. 4500	Diesel	RWD	2953	110	150	09.16-	■	
NT500 (G40M) 10.13-12.16					Platform/Chassis				
35.15, 35.15 HD (ZD30)		Diesel		2953	110	150	10.13-12.16	■	
PONTIAC									
FIREBIRD IV (FS87) 10.92-12.02					Coupe (Sports car-S Segment)				
3.4		Gasolina	FWD	3350	119	162	10.92-12.95	■	
RENAULT TRUCKS									
Maxity 03.07-					Dump Truck				
130.45 (DXI 2,5)		Diesel		2488	96	130	03.07-	■	
130.45 (YD25DDTI)		Diesel		2488	96	130	03.07-	■	
150.45 (DXI 3)		Diesel		2953	110	150	03.07-	■	
150.45 (ZD30DTI)		Diesel		2953	110	150	03.07-	■	
Maxity 03.07-					Platform/Chassis				
130.45 (DXI 2,5)		Diesel		2488	96	130	03.07-	■	
130.45 (YD25DDTI)		Diesel		2488	96	130	03.07-	■	
140.35		Diesel		2488	100	136	12.11-	■	
140.45		Diesel		2488	100	136	12.11-	■	
150.45 (DXI 3)		Diesel		2953	110	150	03.07-	■	
150.45 (ZD30DTI)		Diesel		2953	110	150	03.07-	■	
TOYOTA									
4RUNNER IV (_N21_) 08.02-12.09					SUV (Executive SUV-J Segment)				
4.0		Gasolina	FWD	3956	176	239	09.05-07.09	■	
AVENSIS (_T22_) 09.97-02.03					Estate (Large family car-D Segment)				
1.6 i (AT220_) (4A-FE)		Gasolina	FWD	1587	81	110	09.97-10.00	■	
AVENSIS (_T22_) 09.97-02.03					Hatchback (Large family car-D Segment)				
2.0 TD (CT220_, CT220R) (2C-TE)		Diesel	FWD	1974	66	90	09.97-02.03	■	
AVENSIS (_T22_) 09.97-02.03					Saloon (Large family car-D Segment)				
1.8 i (AT221_, AT221R) (7A-FE)		Gasolina	FWD	1762	81	110	09.97-10.00	■	
2.0 TD (CT220_, CT220R) (2C-TE)		Diesel	FWD	1974	66	90	09.97-02.03	■	