

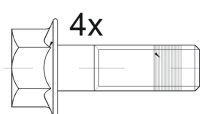
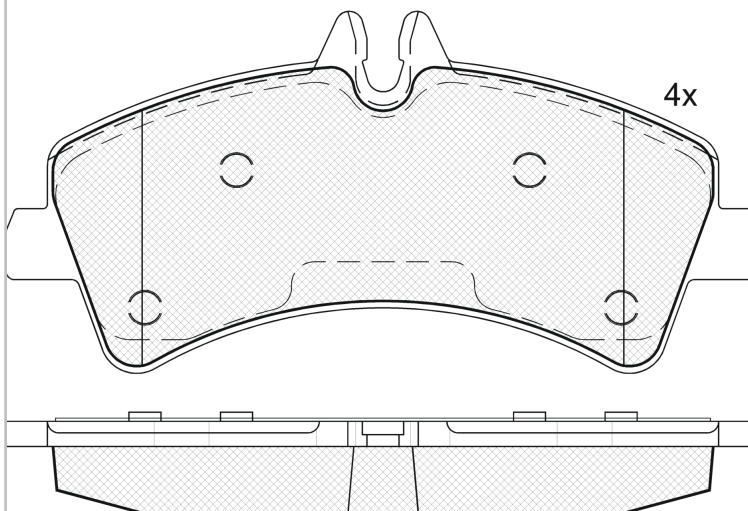
LISTA DE APLICACIONES - BUYERS GUIDE

141849



Qty: 300 Weight: 2.555

O.E.M.	MAKE
004 420 81 20	MERCEDES-BENZ
005 420 74 20	MERCEDES-BENZ
006 420 22 20	MERCEDES-BENZ
006 420 45 20	MERCEDES-BENZ
04862603AA	DODGE
2E0 698 451 A	VW
2E0 698 451 B	VW
2E0 698 451 G	VW
542 074 20 28	MERCEDES-BENZ



2-Ref. 690174 E

141849

E 9 90R-01111/2444



Bosch

164.9x79.08x20.7

WVA	FMSI
29217	D1318-8432
MAKE	
DODGE	
FREIGHTLINER	
MERCEDES-BENZ	
VW	



Trac.	CC	Kw	CV		
Front / Rear					

DODGE

SPRINTER (U.S.A.) 01.03-							Van (LCVs-N1 Segment)		
5.7 3500	01/07-	Gasolina	FWD	5695	243	330	01.03-	■	

FREIGHTLINER

SPRINTER 3500 09.06-							Van (LCVs-N1 Segment)		
2.1 CDI		Diesel	RWD	2143	120	163	09.13-	■	

MERCEDES-BENZ

SPRINTER II 3-Ton. (B906) 06.06-							Platform/Chassis (LCVs-N1 Segment)		
213 CDI (906.111, 906.113, 906.211, 906.213) (OM 651.955)		Diesel	RWD	2143	95	129	03.09-12.16	■	
213 CDI (906.111, 906.113, 906.211, 906.213) (OM 651.957)		Diesel	RWD	2143	95	129	03.09-12.16	■	
SPRINTER II 3.5-Ton. (B906) 06.06-							Platform/Chassis (LCVs-N1 Segment)		
319 CDI / BlueTEC (906.131, 906.133, 906.135, 906.231,... (OM 642.896)		Diesel	RWD	2987	140	190	03.09-12.18	■	
319 CDI / BlueTEC (906.131, 906.133, 906.135, 906.231,... (OM 642.898)		Diesel	RWD	2987	140	190	03.09-12.18	■	
319 CDI / BlueTEC (906.131, 906.133, 906.135, 906.231,... (OM 642.992)		Diesel	RWD	2987	140	190	03.09-12.18	■	
SPRINTER II 3.5-Ton. (B906) 06.06-							Van (LCVs-N1 Segment)		
313 CDI (906.631, 906.633, 906.635, 906.637) (OM 651.940)		Diesel	RWD	2143	95	129	05.09-12.16	■	
313 CDI (906.631, 906.633, 906.635, 906.637) (OM 651.955)		Diesel	RWD	2143	95	129	05.09-12.16	■	
316 CDI (906.631, 906.633, 906.635, 906.637) (OM 651.955)		Diesel	RWD	2143	120	163	03.09-12.18	■	
316 CDI (906.631, 906.633, 906.635, 906.637) (OM 651.957)		Diesel	RWD	2143	120	163	03.09-12.18	■	

LISTA DE APLICACIONES - BUYERS GUIDE

319 CDI / BlueTEC (906.631, 906.633, 906.635, 906.637) (OM 642.896)		Diesel	RWD	2987	140	190	03.09-12.18	■	
319 CDI / BlueTEC (906.631, 906.633, 906.635, 906.637) (OM 642.898)		Diesel	RWD	2987	140	190	03.09-12.18	■	
319 CDI / BlueTEC (906.631, 906.633, 906.635, 906.637) (OM 642.986)		Diesel	RWD	2987	140	190	03.09-12.18	■	
319 CDI / BlueTEC (906.631, 906.633, 906.635, 906.637) (OM 642.992)		Diesel	RWD	2987	140	190	03.09-12.18	■	
SPRINTER II 4,6-Ton. (B906) 06.06-							Platform/Chassis (LCVs-N1 Segment)		
424 (906.153, 906.155, 906.253, 906.255) (M 272.979)	Vented disc	Gasolina	RWD	3498	190	258	06.06-12.16	■	
411 CDI (906.153, 906.155, 906.253, 906.255) (OM 651.955)		Diesel	RWD	2143	84	114	04.16-12.18	■	
413 CDI (906.153, 906.155, 906.253, 906.255) (OM 651.955)		Diesel	RWD	2143	95	129	06.06-12.16	■	
414 CDI (906.153, 906.155, 906.253, 906.255)	Vented disc	Diesel	RWD	2143	105	143	05.16-12.18	■	
416 CDI (906.153, 906.155, 906.253, 906.255) (OM 651.955)	Vented disc	Diesel	RWD	2143	120	163	03.09-12.18	■	
416 CDI (906.153, 906.155, 906.253, 906.255) (OM 651.957)	Vented disc	Diesel	RWD	2143	120	163	03.09-12.18	■	
411 CDI (906.153, 906.155, 906.253, 906.255) (OM 646.985)		Diesel	RWD	2148	80	109	06.09-12.18	■	
413 CDI (906.153, 906.155, 906.253, 906.255)	Vented disc	Diesel	RWD	2148	95	129	06.06-05.16	■	
415 CDI (906.153, 906.155, 906.253, 906.255) (OM 646.986)	Vented disc	Diesel	RWD	2148	110	150	06.06-12.09	■	
415 CDI (906.153, 906.155, 906.253, 906.255) (OM 646.989)	Vented disc	Diesel	RWD	2148	110	150	06.06-12.09	■	
415 CDI (906.153, 906.155, 906.253, 906.255) (OM 646.990)	Vented disc	Diesel	RWD	2148	110	150	06.06-12.09	■	
418 CDI (906.153, 906.155, 906.253, 906.255) (OM 642.896)	Vented disc	Diesel	RWD	2987	135	184	06.06-12.09	■	
418 CDI (906.153, 906.155, 906.253, 906.255) (OM 642.986)	Vented disc	Diesel	RWD	2987	135	184	06.06-12.09	■	
418 CDI (906.153, 906.155, 906.253, 906.255) (OM 642.992)	Vented disc	Diesel	RWD	2987	135	184	06.06-12.09	■	
418 CDI (906.153, 906.155, 906.253, 906.255) (OM 642.993)	Vented disc	Diesel	RWD	2987	135	184	06.06-12.09	■	
419 CDI (906.153, 906.155, 906.253, 906.255) (OM 642.896)	Vented disc	Diesel	RWD	2987	140	190	03.09-12.18	■	
419 CDI (906.153, 906.155, 906.253, 906.255) (OM 642.898)	Vented disc	Diesel	RWD	2987	140	190	03.09-12.18	■	
419 CDI (906.153, 906.155, 906.253, 906.255) (OM 642.986)	Vented disc	Diesel	RWD	2987	140	190	03.09-12.18	■	
419 CDI (906.153, 906.155, 906.253, 906.255) (OM 642.992)	Vented disc	Diesel	RWD	2987	140	190	03.09-12.18	■	
SPRINTER II 4,6-Ton. (B906) 06.06-							Van (LCVs-N1 Segment)		
424 (906.655, 906.657, 906.653) (M 272.979)	Vented disc	Gasolina	RWD	3498	190	258	06.06-12.16	■	
411 CDI (906.653, 906.655, 906.657)		Diesel	RWD	2143	84	114	04.16-12.18	■	
413 CDI (906.653, 906.655, 906.657) (OM 651.955)	Vented disc	Diesel	RWD	2143	95	129	06.06-12.16	■	
413 CDI (906.653, 906.655, 906.657) (OM 651.956)	Vented disc	Diesel	RWD	2143	95	129	06.06-12.16	■	
414 CDI (906.653, 906.655, 906.657) (OM 651.955)	Vented disc	Diesel	RWD	2143	105	143	05.16-12.18	■	
414 CDI 4x4 (906.653, 906.655, 906.657) (OM 651.955)		Diesel	4WD	2143	105	143	05.16-12.18	■	
416 CDI (906.653, 906.655, 906.657, 906.633, 906.635,...) (OM 651.955)	Vented disc	Diesel	RWD	2143	120	163	03.09-12.18	■	
416 CDI (906.653, 906.655, 906.657, 906.633, 906.635,...) (OM 651.957)	Vented disc	Diesel	RWD	2143	120	163	03.09-12.18	■	
416 CDI 4x4 (906.655, 906.657) (OM 651.955)		Diesel	4WD	2143	120	163	11.13-12.18	■	
416 CDI 4x4 (906.655, 906.657) (OM 651.957)		Diesel	4WD	2143	120	163	11.13-12.18	■	
411 CDI (906.653, 906.655, 906.657) (OM 646.985)	Vented disc	Diesel	RWD	2148	80	109	06.09-12.18	■	
413 CDI (906.653, 906.655, 906.657)	Vented disc	Diesel	RWD	2148	95	129	06.06-05.16	■	

LISTA DE APLICACIONES - BUYERS GUIDE

415 CDI (906.653, 906.655, 906.657) (OM 646.986)	Vented disc	Diesel	RWD	2148	110	150	06.09-12.09	■	
415 CDI (906.653, 906.655, 906.657) (OM 646.989)	Vented disc	Diesel	RWD	2148	110	150	06.09-12.09	■	
415 CDI (906.653, 906.655, 906.657) (OM 646.990)	Vented disc	Diesel	RWD	2148	110	150	06.09-12.09	■	
418 CDI (906.653, 906.655, 906.657) (OM 642.896)	Vented disc	Diesel	RWD	2987	135	184	06.09-05.16	■	
418 CDI (906.653, 906.655, 906.657) (OM 642.986)	Vented disc	Diesel	RWD	2987	135	184	06.09-05.16	■	
418 CDI (906.653, 906.655, 906.657) (OM 642.992)	Vented disc	Diesel	RWD	2987	135	184	06.09-05.16	■	
419 CDI (906.653, 906.655, 906.657) (OM 642.896)	Vented disc	Diesel	RWD	2987	140	190	03.09-12.18	■	
419 CDI (906.653, 906.655, 906.657) (OM 642.992)	Vented disc	Diesel	RWD	2987	140	190	03.09-12.18	■	
SPRINTER II 5-Ton. (B906) 06.06-							Bus (Minibus-M2-Segment)		
513 CDI (906.655, 906.657) (OM 651.955)		Diesel	RWD	2143	95	129	03.09-12.16	■	
516 CDI (906.655, 906.657) (OM 651.955)		Diesel	RWD	2143	120	163	03.09-12.18	■	
519 CDI (906.655, 906.657) (OM 642.896)		Diesel	RWD	2987	140	190	03.09-12.18	■	
SPRINTER II 5-Ton. (B906) 06.06-							Platform/Chassis (LCVs-N1 Segment)		
516 (906.153, 906.155, 906.253, 906.255) (M 271.951)	Vented disc	Gasolina	RWD	1796	115	156	09.08-12.18	■	
516 NGT		Gasolina	FWD	1796	115	156	09.08-	■	
524 (906.153, 906.155, 906.253, 906.255) (M 272.979)	Vented disc	Gasolina	RWD	3498	190	258	06.06-12.16	■	
516 NGT (906.153, 906.155, 906.253, 906.255) (M 271.951)	Vented disc	Gasol./Gas (CNG)	RWD	1796	115	156	09.08-12.18	■	
510 CDI (906.153, 906.155, 906.253, 906.255) (OM 651.955)	Vented disc	Diesel	RWD	2143	70	95	03.09-12.16	■	
511 CDI (906.153, 906.155, 906.253, 906.255) (OM 651.955)		Diesel	RWD	2143	84	114	05.16-12.18	■	
513 CDI (906.155, 906.253, 906.255, 906.153) (OM 651.955)		Diesel	RWD	2143	95	129	06.06-12.16	■	
513 CDI (906.155, 906.253, 906.255, 906.153) (OM 651.957)		Diesel	RWD	2143	95	129	06.06-12.16	■	
513 CDI 4x4 (906.155, 906.253, 906.255, 906.153) (OM 651.955)	Vented disc	Diesel	4WD	2143	95	129	05.11-12.16	■	
513 CDI 4x4 (906.155, 906.253, 906.255, 906.153) (OM 651.957)	Vented disc	Diesel	4WD	2143	95	129	05.11-12.16	■	
514 CDI (906.153, 906.155, 906.253, 906.255) (OM 651.955)		Diesel	RWD	2143	105	143	05.16-12.18	■	
514 CDI 4x4 (906.153, 906.155, 906.253, 906.255) (OM 651.955)		Diesel	4WD	2143	105	143	05.16-12.18	■	
516 CDI (906.153, 906.155, 906.253, 906.255) (OM 651.955)	Vented disc	Diesel	RWD	2143	120	163	03.09-12.18	■	
516 CDI (906.153, 906.155, 906.253, 906.255) (OM 651.957)	Vented disc	Diesel	RWD	2143	120	163	03.09-12.18	■	
516 CDI 4x4 (906.153, 906.155, 906.255, 906.253) (OM 651.955)	Vented disc	Diesel	4WD	2143	120	163	03.09-12.18	■	
516 CDI 4x4 (906.153, 906.155, 906.255, 906.253) (OM 651.957)	Vented disc	Diesel	4WD	2143	120	163	03.09-12.18	■	
509 CDI (906.153, 906.155, 906.253, 906.255) (OM 646.984)	Vented disc	Diesel	RWD	2148	65	88	06.06-12.09	■	
511 CDI (906.153, 906.155, 906.253, 906.255) (OM 646.985)	Vented disc	Diesel	RWD	2148	80	109	06.06-12.09	■	
511 CDI 4x4 (906.155, 906.253, 906.255) (OM 646.985)		Diesel	4WD	2148	80	109	06.06-12.09	■	
513 CDI (906.155, 906.253, 906.255, 906.153) (OM 646.986)	Vented disc	Diesel	RWD	2148	95	129	03.09-05.16	■	
515 CDI (906.153, 906.155, 906.253, 906.255) (OM 646.986)	Vented disc	Diesel	RWD	2148	110	150	06.06-12.19	■	
515 CDI (906.153, 906.155, 906.253, 906.255) (OM 646.989)	Vented disc	Diesel	RWD	2148	110	150	06.06-12.19	■	
515 CDI (906.153, 906.155, 906.253, 906.255) (OM 646.990)	Vented disc	Diesel	RWD	2148	110	150	06.06-12.19	■	

LISTA DE APLICACIONES - BUYERS GUIDE

515 CDI 4x4 (906.153, 906.155, 906.253, 906.255) (OM 646.986)		Diesel	4WD	2148	110	150	06.06-12.09	■
515 CDI 4x4 (906.153, 906.155, 906.253, 906.255) (OM 646.989)		Diesel	4WD	2148	110	150	06.06-12.09	■
515 CDI 4x4 (906.153, 906.155, 906.253, 906.255) (OM 646.990)		Diesel	4WD	2148	110	150	06.06-12.09	■
518 CDI (906.153, 906.155, 906.253, 906.255) (OM 642.896)	Vented disc	Diesel	RWD	2987	135	184	06.06-12.09	■
518 CDI (906.153, 906.155, 906.253, 906.255) (OM 642.986)	Vented disc	Diesel	RWD	2987	135	184	06.06-12.09	■
518 CDI (906.153, 906.155, 906.253, 906.255) (OM 642.992)	Vented disc	Diesel	RWD	2987	135	184	06.06-12.09	■
518 CDI (906.153, 906.155, 906.253, 906.255) (OM 642.993)	Vented disc	Diesel	RWD	2987	135	184	06.06-12.09	■
518 CDI 4x4 (906.153, 906.155, 906.253, 906.255) (OM 642.896)		Diesel	4WD	2987	135	184	06.06-12.09	■
518 CDI 4x4 (906.153, 906.155, 906.253, 906.255) (OM 642.986)		Diesel	4WD	2987	135	184	06.06-12.09	■
518 CDI 4x4 (906.153, 906.155, 906.253, 906.255) (OM 642.992)		Diesel	4WD	2987	135	184	06.06-12.09	■
518 CDI 4x4 (906.153, 906.155, 906.253, 906.255) (OM 642.993)		Diesel	4WD	2987	135	184	06.06-12.09	■
519 CDI / BlueTEC (906.153, 906.155, 906.253, 906.255) (OM 642.896)	Vented disc	Diesel	RWD	2987	140	190	03.09-12.18	■
519 CDI / BlueTEC (906.153, 906.155, 906.253, 906.255) (OM 642.898)	Vented disc	Diesel	RWD	2987	140	190	03.09-12.18	■
519 CDI / BlueTEC (906.153, 906.155, 906.253, 906.255) (OM 642.986)	Vented disc	Diesel	RWD	2987	140	190	03.09-12.18	■
519 CDI / BlueTEC (906.153, 906.155, 906.253, 906.255) (OM 642.992)	Vented disc	Diesel	RWD	2987	140	190	03.09-12.18	■
519 CDI / BlueTEC 4x4 (906.653, 906.655, 906.657) (OM 642.896)		Diesel	4WD	2987	140	190	03.09-12.18	■
519 CDI / BlueTEC 4x4 (906.653, 906.655, 906.657) (OM 642.898)		Diesel	4WD	2987	140	190	03.09-12.18	■
519 CDI / BlueTEC 4x4 (906.653, 906.655, 906.657) (OM 642.986)		Diesel	4WD	2987	140	190	03.09-12.18	■
519 CDI / BlueTEC 4x4 (906.653, 906.655, 906.657) (OM 642.992)		Diesel	4WD	2987	140	190	03.09-12.18	■
SPRINTER II 5-Ton. (B906) 06.06-					Van (LCVs-N1 Segment)			
516 (906.655) (M 271.951)		Gasolina	RWD	1796	115	156	03.09-12.18	■
524 (906.653, 906.655, 906.657) (M 272.979)	Vented disc	Gasolina	RWD	3498	190	258	06.06-12.16	■
516 NGT (906.655)		Gasol./Gas (CNG)	RWD	1796	115	156	03.09-12.18	■
510 CDI (906.653, 906.655, 906.657) (OM 651.955)	Vented disc	Diesel	RWD	2143	70	95	03.09-12.16	■
511 CDI (906.653, 906.655, 906.657) (OM 651.955)		Diesel	RWD	2143	84	114	05.16-12.18	■
513 CDI (906.653, 906.655, 906.657) (OM 651.955)		Diesel	RWD	2143	95	129	06.06-12.16	■
513 CDI (906.653, 906.655, 906.657) (OM 651.957)		Diesel	RWD	2143	95	129	06.06-12.16	■
513 CDI 4x4 (906.653, 906.655, 906.657) (OM 651.955)		Diesel	4WD	2143	95	129	03.09-12.16	■
513 CDI 4x4 (906.653, 906.655, 906.657) (OM 651.957)		Diesel	4WD	2143	95	129	03.09-12.16	■
514 CDI (906.653, 906.655, 906.657) (OM 651.955)		Diesel	RWD	2143	105	143	05.16-12.18	■
514 CDI 4x4 (906.653, 906.655, 906.657) (OM 651.955)		Diesel	4WD	2143	105	143	05.16-12.18	■
516 CDI (906.653, 906.655, 906.657) (OM 651.955)	Vented disc	Diesel	RWD	2143	120	163	03.09-12.18	■
516 CDI (906.653, 906.655, 906.657) (OM 651.957)	Vented disc	Diesel	RWD	2143	120	163	03.09-12.18	■
516 CDI 4x4 (906.653, 906.655, 906.657) (OM 651.955)		Diesel	4WD	2143	120	163	03.09-12.18	■
516 CDI 4x4 (906.653, 906.655, 906.657) (OM 651.957)		Diesel	4WD	2143	120	163	03.09-12.18	■
509 CDI (906.653, 906.655, 906.657) (OM 646.984)	Vented disc	Diesel	RWD	2148	65	88	06.06-12.09	■

LISTA DE APLICACIONES - BUYERS GUIDE

511 CDI (906.653, 906.655, 906.657) (OM 646.985)	Vented disc	Diesel	RWD	2148	80	109	06.06-12.09	■
511 CDI 4x4 (906.653, 906.655, 906.657) (OM 646.985)		Diesel	4WD	2148	80	109	06.06-12.09	■
513 CDI (906.653, 906.655, 906.657) (OM 646.986)	Vented disc	Diesel	RWD	2148	95	129	03.09-05.16	■
515 CDI (906.653, 906.655, 906.657) (OM 646.986)	Vented disc	Diesel	RWD	2148	110	150	06.06-12.09	■
515 CDI (906.653, 906.655, 906.657) (OM 646.989)	Vented disc	Diesel	RWD	2148	110	150	06.06-12.09	■
515 CDI (906.653, 906.655, 906.657) (OM 646.990)	Vented disc	Diesel	RWD	2148	110	150	06.06-12.09	■
515 CDI 4x4 (906.653, 906.655, 906.657) (OM 646.986)		Diesel	4WD	2148	110	150	06.06-12.09	■
515 CDI 4x4 (906.653, 906.655, 906.657) (OM 646.989)		Diesel	4WD	2148	110	150	06.06-12.09	■
515 CDI 4x4 (906.653, 906.655, 906.657) (OM 646.990)		Diesel	4WD	2148	110	150	06.06-12.09	■
518 CDI (906.653, 906.655, 906.657) (OM 642.896)	Vented disc	Diesel	RWD	2987	135	184	06.06-12.09	■
518 CDI (906.653, 906.655, 906.657) (OM 642.986)	Vented disc	Diesel	RWD	2987	135	184	06.06-12.09	■
518 CDI (906.653, 906.655, 906.657) (OM 642.992)	Vented disc	Diesel	RWD	2987	135	184	06.06-12.09	■
518 CDI (906.653, 906.655, 906.657) (OM 642.993)	Vented disc	Diesel	RWD	2987	135	184	06.06-12.09	■
518 CDI 4x4 (906.653, 906.655, 906.657) (OM 642.896)		Diesel	4WD	2987	135	184	06.06-12.16	■
518 CDI 4x4 (906.653, 906.655, 906.657) (OM 642.986)		Diesel	4WD	2987	135	184	06.06-12.16	■
518 CDI 4x4 (906.653, 906.655, 906.657) (OM 642.992)		Diesel	4WD	2987	135	184	06.06-12.16	■
518 CDI 4x4 (906.653, 906.655, 906.657) (OM 642.993)		Diesel	4WD	2987	135	184	06.06-12.16	■
519 CDI / BlueTEC (906.653, 906.655, 906.657) (OM 642.896)	Vented disc	Diesel	RWD	2987	140	190	03.09-12.18	■
519 CDI / BlueTEC (906.653, 906.655, 906.657) (OM 642.898)	Vented disc	Diesel	RWD	2987	140	190	03.09-12.18	■
519 CDI / BlueTEC (906.653, 906.655, 906.657) (OM 642.986)	Vented disc	Diesel	RWD	2987	140	190	03.09-12.18	■
519 CDI / BlueTEC (906.653, 906.655, 906.657) (OM 642.992)	Vented disc	Diesel	RWD	2987	140	190	03.09-12.18	■
519 CDI / BlueTEC 4x4 (906.653, 906.655, 906.657) (OM 642.896)		Diesel	4WD	2987	140	190	03.09-12.18	■
519 CDI / BlueTEC 4x4 (906.653, 906.655, 906.657) (OM 642.898)		Diesel	4WD	2987	140	190	03.09-12.18	■
519 CDI / BlueTEC 4x4 (906.653, 906.655, 906.657) (OM 642.986)		Diesel	4WD	2987	140	190	03.09-12.18	■
519 CDI / BlueTEC 4x4 (906.653, 906.655, 906.657) (OM 642.992)		Diesel	4WD	2987	140	190	03.09-12.18	■

VW

CRAFTER 30-35 (2E_) 04.06-12.16							Bus (Minibus-M2-Segment)		
2.0 TDI (CKTB)	PR 0WF	Diesel	RWD	1968	80	109	05.11-12.16	■	
2.0 TDI (CSLA)	PR 0WF	Diesel	RWD	1968	80	109	05.11-12.16	■	
2.0 TDI (CSLB)	PR 0WF	Diesel	RWD	1968	84	114	11.13-12.16	■	
2.0 TDI (CKTC)	PR 0WF	Diesel	RWD	1968	100	136	05.11-12.16	■	
2.0 TDI (CKUC)	PR 0WF	Diesel	RWD	1968	105	142	10.11-12.16	■	
2.0 TDI (CKUB)	PR 0WF	Diesel	RWD	1968	120	163	07.11-12.16	■	
2.0 TDI (CSNA)	PR 0WF	Diesel	RWD	1968	120	163	07.11-12.16	■	
2.0 TDI 4motion (CKUB)		Diesel	4WD	1968	120	163	11.11-12.16	■	
2.0 TDI 4motion (CSNA)		Diesel	4WD	1968	120	163	11.11-12.16	■	
2.5 TDI (BJJ)	PR 0WF	Diesel	RWD	2461	65	88	04.06-07.11	■	
2.5 TDI (CEBA)	PR 0WF	Diesel	RWD	2461	65	88	04.06-07.11	■	
2.5 TDI (BJK)	PR 0WF	Diesel	RWD	2461	80	109	04.06-05.13	■	
2.5 TDI (CEBB)	PR 0WF	Diesel	RWD	2461	80	109	04.06-05.13	■	

LISTA DE APLICACIONES - BUYERS GUIDE

2.5 TDI (BJL)	PR 0WF	Diesel	RWD	2461	100	136	04.06-05.13	■	
2.5 TDI (CECA)	PR 0WF	Diesel	RWD	2461	100	136	04.06-05.13	■	
2.5 TDI (BJM)	PR 0WF	Diesel	RWD	2461	120	163	04.06-07.11	■	
2.5 TDI (CECB)	PR 0WF	Diesel	RWD	2461	120	163	04.06-07.11	■	
CRAFTER 30-50 (2F_) 04.06-12.16							Platform/Chassis (LCVs-N1 Segment)		
2.0 TDI (CKTB)	PR 0WF	Diesel	RWD	1968	80	109	05.11-12.16	■	
2.0 TDI (CSLA)	PR 0WF	Diesel	RWD	1968	80	109	05.11-12.16	■	
2.0 TDI (CSLB)	PR 0WF	Diesel	RWD	1968	84	114	11.13-12.16	■	
2.0 TDI (CKTC)	PR 0WF	Diesel	RWD	1968	100	136	05.11-12.16	■	
2.0 TDI (CKUC)	PR 0WF	Diesel	RWD	1968	105	142	10.11-12.16	■	
2.0 TDI (CKUB)	PR 0WF	Diesel	RWD	1968	120	163	07.11-12.16	■	
2.0 TDI (CSNA)	PR 0WF	Diesel	RWD	1968	120	163	07.11-12.16	■	
2.0 TDI 4motion (CKUB)		Diesel	4WD	1968	120	163	11.11-12.16	■	
2.0 TDI 4motion (CSNA)		Diesel	4WD	1968	120	163	11.11-12.16	■	
2.5 TDI (BJJ)	PR 0WF	Diesel	RWD	2461	65	88	04.06-07.11	■	
2.5 TDI (CEBA)	PR 0WF	Diesel	RWD	2461	65	88	04.06-07.11	■	
2.5 TDI (BJK)	PR 0WF	Diesel	RWD	2461	80	109	04.06-05.13	■	
2.5 TDI (CEBB)	PR 0WF	Diesel	RWD	2461	80	109	04.06-05.13	■	
2.5 TDI (BJL)	PR 0WF	Diesel	RWD	2461	100	136	04.06-05.13	■	
2.5 TDI (CECA)	PR 0WF	Diesel	RWD	2461	100	136	04.06-05.13	■	
2.5 TDI (BJM)	PR 0WF	Diesel	RWD	2461	120	163	04.06-07.11	■	
2.5 TDI (CECB)	PR 0WF	Diesel	RWD	2461	120	163	04.06-07.11	■	
CRAFTER 30-50 (2E_) 04.06-12.16							Van (LCVs-N1 Segment)		
2.0 TDI (CKTB)	PR 0WF	Diesel	RWD	1968	80	109	05.11-12.16	■	
2.0 TDI (CSLA)	PR 0WF	Diesel	RWD	1968	80	109	05.11-12.16	■	
2.0 TDI (CSLB)	PR 0WF	Diesel	RWD	1968	84	114	11.13-12.16	■	
2.0 TDI (CKTC)	PR 0WF	Diesel	RWD	1968	100	136	05.11-12.16	■	
2.0 TDI (CKUC)	PR 0WF	Diesel	RWD	1968	105	142	10.11-12.16	■	
2.0 TDI (CKUB)	PR 0WF	Diesel	RWD	1968	120	163	07.11-12.16	■	
2.0 TDI (CSNA)	PR 0WF	Diesel	RWD	1968	120	163	07.11-12.16	■	
2.0 TDI 4motion (CKUB)		Diesel	4WD	1968	120	163	07.11-12.16	■	
2.0 TDI 4motion (CSNA)		Diesel	4WD	1968	120	163	07.11-12.16	■	
2.5 TDI (BJJ)	PR 0WF	Diesel	RWD	2461	65	88	04.06-07.11	■	
2.5 TDI (CEBA)	PR 0WF	Diesel	RWD	2461	65	88	04.06-07.11	■	
2.5 TDI (BJK)	PR 0WF	Diesel	RWD	2461	80	109	04.06-05.13	■	
2.5 TDI (CEBB)	PR 0WF	Diesel	RWD	2461	80	109	04.06-05.13	■	
2.5 TDI (BJL)	PR 0WF	Diesel	RWD	2461	100	136	04.06-05.13	■	
2.5 TDI (CECA)	PR 0WF	Diesel	RWD	2461	100	136	04.06-05.13	■	
2.5 TDI (BJM)	PR 0WF	Diesel	RWD	2461	120	163	04.06-07.11	■	
2.5 TDI (CECB)	PR 0WF	Diesel	RWD	2461	120	163	04.06-07.11	■	