

LISTA DE APLICACIONES - BUYERS GUIDE

141889

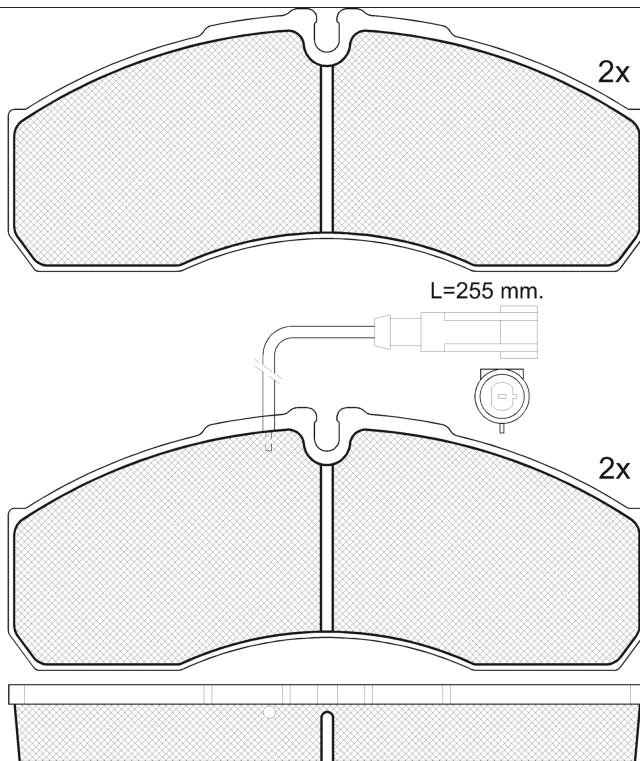


8 424073 098054

Qty: 639

Weight: 2.646

O.E.M.	MAKE
41060-MB225	NISSAN
41060-MB625	NISSAN
5001 874 888	RENAULT TRUCKS
74 85 120 221	NISSAN
D1060-MB20C	NISSAN



2 - Ref. 690142 E

141889

E 9 90R-01109/2256



Brembo

164.6x67.9x20

WVA	FMSI
29160	D1622-8834
29327	D2022-9253
MAKE	
DADI	
FORD ASIA & OCEANIA	
HONDA	
NISSAN	
PONTIAC	
RENAULT TRUCKS	
TOYOTA	



Trac.	CC	Kw	CV			Front / Rear
-------	----	----	----	--	--	--------------

DADI								
CITY COURSER II 09.04-						Closed Off-Road Vehicle (Compact SUV-J Segment)		
2.2	Gasolina	FWD	2237	76	103	09.04-12.12	■	
2.4	Gasolina	FWD	2438	90	122	09.04-10.05	■	
2.8 D	Diesel	RWD	2771	57	78	09.04-	■	
FORD ASIA & OCEANIA								
FESTIVA (BA_2, BJ_2) 11.90-09.04						Saloon (Supermini car-B Segment)		
1.8 GT	Gasolina	FWD	1840	84	114	09.98-10.01	■	
HONDA								
CITY IV / FIT ARIA (GE4) 11.02-03.09						Saloon (Supermini car-B Segment)		
1.5 FF	Gasolina	FWD	1497	79	107	10.05-07.08	■	
NISSAN								
CABSTAR 09.06-12.12						Platform/Chassis		
45.13 (YD25DDTI)	Diesel		2488	96	130	10.06-	■	
45.15 (ZD30)	Diesel		2953	110	149	10.06-	■	
45.15 (ZD30DDTI)	Diesel		2953	110	149	10.06-	■	
45.15 (ZD30H HD-5)	Diesel		2953	110	149	10.06-	■	
CABSTAR E (F24M, F24W) 09.06-12.13						Platform/Chassis (LCVs-N1 Segment)		
35.13 DCI, 45.13 DCI 2.5 (F24M) (YD25DDTI)	Diesel	RWD	2488	96	131	09.06-12.12	■	
35.14 DCI, 45.14 DCI 2.5 (F24M) (YD25DDTI)	Diesel	RWD	2488	100	136	09.06-12.13	■	
35.14 DCI, 45.14 DCI 2.5 (F24M) (YD25K3LD-5MI)	Diesel	RWD	2488	100	136	09.06-12.13	■	
35.15 DCI, 45.15 DCI 3.0 (F24M) (ZD30)	Diesel	RWD	2953	110	150	09.06-12.13	■	

LISTA DE APLICACIONES - BUYERS GUIDE

35.15 DCI, 45.15 DCI 3.0 (F24M) (ZD30DDTI)		Diesel	RWD	2953	110	150	09.06-12.13	■	
35.15 DCI, 45.15 DCI 3.0 (F24M) (ZD30H HD-5)		Diesel	RWD	2953	110	150	09.06-12.13	■	
NT400 CABSTAR (F24F) 01.14-					Dump Truck				
35.14 (YD25K3LD-5LO)	Weig. 4500	Diesel		2488	100	136	01.14-	■	
NT400 CABSTAR (F24M) 09.16-					Dump Truck (Volquete-N2 Segment)				
35.15, 45.15	Weig. 4500	Diesel	RWD	2953	110	150	09.16-	■	
NT400 CABSTAR (F24F) 01.14-					Platform/Chassis				
35.14, 35.15 (YD25K3LD-5LO)	Weig. 4500	Diesel		2488	100	136	01.14-	■	
45.15 (YD25K3LD-5LO)	Weig. 4500	Diesel		2488	107	145	01.14-	■	
NT400 CABSTAR (F24M) 08.09-					Platform/Chassis (LCVs-N1 Segment)				
35.14, 45.14 (YD25K3LD-5MI)		Diesel	RWD	2488	100	136	01.14-	■	
35.15, 45.15 (YD25K3LD-5HO)		Diesel	RWD	2488	107	146	01.14-	■	
35.13 (ZD30DDTI)		Diesel	RWD	2953	96	130	09.16-	■	
35.15, 45.15 (ZD30DDTI)	Weig. 4500	Diesel	RWD	2953	110	150	09.16-	■	
NT500 (G40M) 10.13-12.16					Platform/Chassis				
35.15, 35.15 HD (ZD30)		Diesel		2953	110	150	10.13-12.16	■	
PONTIAC									
FIREBIRD IV (FS87) 10.92-12.02					Coupe (Sports car-S Segment)				
3.4		Gasolina	FWD	3350	119	162	10.92-12.95	■	
RENAULT TRUCKS									
Maxity 03.07-					Dump Truck				
130.45 (DXI 2,5)		Diesel		2488	96	130	03.07-	■	
130.45 (YD25DDTI)		Diesel		2488	96	130	03.07-	■	
150.45 (DXI 3)		Diesel		2953	110	150	03.07-	■	
150.45 (ZD30DTI)		Diesel		2953	110	150	03.07-	■	
Maxity 03.07-					Platform/Chassis				
130.45 (DXI 2,5)		Diesel		2488	96	130	03.07-	■	
130.45 (YD25DDTI)		Diesel		2488	96	130	03.07-	■	
150.45 (DXI 3)		Diesel		2953	110	150	03.07-	■	
150.45 (ZD30DTI)		Diesel		2953	110	150	03.07-	■	
TOYOTA									
4RUNNER IV (_N21_) 08.02-12.09					SUV (Executive SUV-J Segment)				
4.0		Gasolina	FWD	3956	176	239	09.05-07.09	■	
AVENSIS (_T22_) 09.97-02.03					Estate (Large family car-D Segment)				
1.6 i (AT220_) (4A-FE)		Gasolina	FWD	1587	81	110	09.97-10.00	■	
AVENSIS (_T22_) 09.97-02.03					Hatchback (Large family car-D Segment)				
2.0 TD (CT220_, CT220R) (2C-TE)		Diesel	FWD	1974	66	90	09.97-02.03	■	
AVENSIS (_T22_) 09.97-02.03					Saloon (Large family car-D Segment)				
1.8 i (AT221_, AT221R) (7A-FE)		Gasolina	FWD	1762	81	110	09.97-10.00	■	
2.0 TD (CT220_, CT220R) (2C-TE)		Diesel	FWD	1974	66	90	09.97-02.03	■	