

LISTA DE APLICACIONES - BUYERS GUIDE

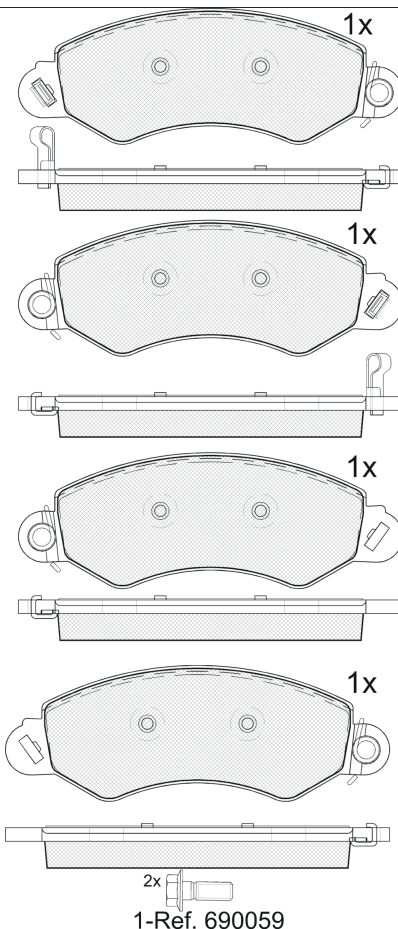
141971



Qty: 300

Weight: 2.150

O.E.M.	MAKE
5 459 900 01	LDV
5 459 900 27	LDV
C00013517	MAXUS



141971

90R-01111/2054



Bosch

168.6x59.7x18.4

WVA
24358
24359
24360
24361

MAKE
LDV
MAXUS
MG



Trac.	CC	Kw	CV		
Front / Rear					

LDV

MAXUS 02.05-12.09							Bus (Minibus-M2-Segment)		
2.5 D (VM39C)		Diesel	FWD	2499	70	95	02.05-12.08	■	
2.5 D (VM40C)		Diesel	FWD	2499	70	95	02.05-12.08	■	
2.5 D (VM39C)		Diesel	FWD	2499	88	120	02.05-12.09	■	
2.5 D (BS582VM)		Diesel	FWD	2499	99	135	02.06-12.09	■	
MAXUS 02.05-12.09							Platform/Chassis (LCVs-N1 Segment)		
2.5 D (VM39C)		Diesel	FWD	2499	70	95	02.05-12.08	■	
2.5 D (VMR425)		Diesel	FWD	2499	70	95	02.05-12.08	■	
2.5 D (BS580VM)		Diesel	FWD	2499	88	120	10.05-12.09	■	
2.5 D (VMR425)		Diesel	FWD	2499	88	120	10.05-12.09	■	
2.5 D (BS582VM)		Diesel	FWD	2499	99	135	02.06-12.09	■	
MAXUS 02.05-12.09							Van (LCVs-N1 Segment)		
2.5 D (VM39C)		Diesel	FWD	2499	70	95	02.05-12.08	■	
2.5 D (VM40C)		Diesel	FWD	2499	70	95	02.05-12.08	■	
2.5 D (BS580VM)		Diesel	FWD	2499	88	120	10.05-12.09	■	
2.5 D (BS582VM)		Diesel	FWD	2499	99	135	02.06-12.09	■	
V80 01.15-							Bus (Minibus-M2-Segment)		
2.5 D		Diesel	RWD	2499	100	136	01.15-	■	
V80 07.15-							Platform/Chassis (LCVs-N1 Segment)		
EV80		Eléctrico	FWD		92	125	11.16-04.21	■	
2.5 D		Diesel	FWD	2499	100	136	07.15-	■	

LISTA DE APLICACIONES - BUYERS GUIDE

V80 02.13-					Van (LCVs-N1 Segment)			
EV80		Eléctrico	FWD		92	125	11.16-04.21	■
2.5 D		Diesel	FWD	2499	100	136	02.13-	■
MAXUS								
V80 10.10-					Bus (Minibus-M2-Segment)			
2.5 D		Diesel	FWD	2499	70	95	10.10-	■
2.5 D (SC25R120Q4)		Diesel	FWD	2499	88	120	10.10-	■
2.5 D (SC25R136.1Q5)		Diesel	FWD	2499	100	136	10.10-	■
2.5 D (SC25R136Q4)		Diesel	FWD	2499	100	136	10.10-	■
V80 10.10-					Van (LCVs-N1 Segment)			
2.5 D		Diesel	FWD	2499	70	95	10.10-	■
2.5 D		Diesel	FWD	2499	88	120	10.10-	■
2.5 D (SC25R136Q4)		Diesel	FWD	2499	100	136	10.10-	■
MG								
V80 03.19-					MPV ()			
2,5		Diesel	RWD	2499	100	136	03.19-	■