

LISTA DE APLICACIONES - BUYERS GUIDE

142240

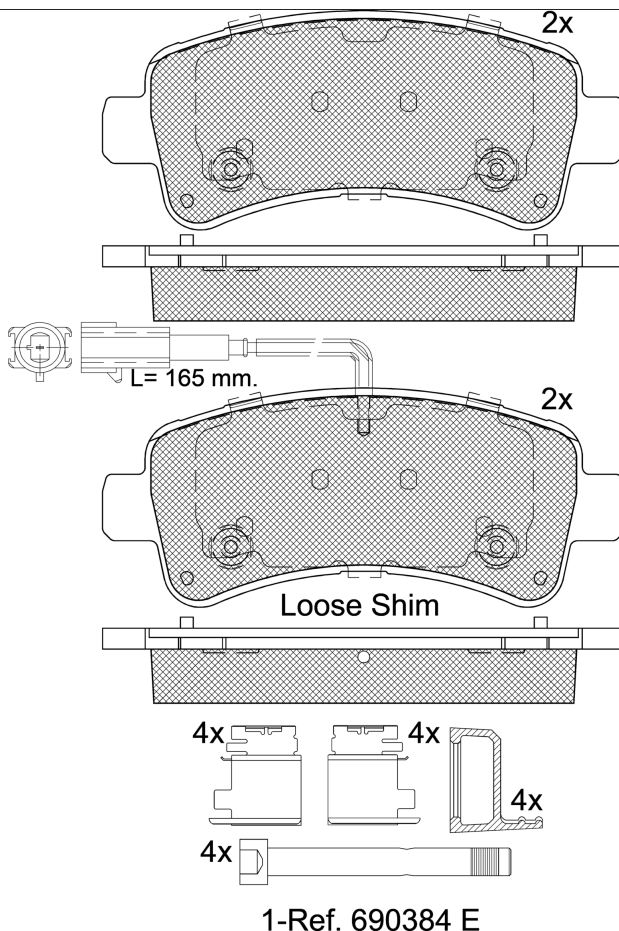


8 424073 140425

Qty: 300

Weight: 2.090

O.E.M.	MAKE
16 124 340 80	PEUGEOT
1673605980	PEUGEOT
6 823 009 5AA	FIAT
68230095AA	RAM
68230095AB	RAM
68230095AC	RAM
7 736 709 4	FIAT
7 736 845 3	FIAT



1-Ref. 690384 E

142240



E 9 90R-02A0111/4314

Brems

141.6x59.4x20.9

WVA	FMSI
25987	D1746-8974
25988	
MAKE	
CITROËN	
FIAT	
OPEL	
PEUGEOT	
RAM	
VAUXHALL	



Trac.	CC	Kw	CV



Front / Rear

CITROËN

JUMPER III / RELAY 04.06-

Bus (Minibus-M2-Segment)

Model	Description	Fuel	Trac.	CC	Kw	CV	Period	
2.0 BlueHdi 110 (AHM (DW10FUE))	increased payload, Eq.V_ 20Q Heavy	Diesel	FWD	1997	81	110	07.15-09.19	■
2.0 BlueHdi 130 (AHN (DW10FUD))	increased payload, Eq.V_ 20Q Heavy	Diesel	FWD	1997	96	130	07.15-09.19	■
2.0 BlueHdi 160 (AHP (DW10FUC))	increased payload, Eq.V_ 20Q Heavy	Diesel	FWD	1997	120	163	07.15-09.19	■
2.2 BlueHdi 120 (4HK (DW12RUE))	Eq.V_ 20Q Heavy	Diesel	FWD	2179	88	120	08.19-10.23	■
2.2 BlueHdi 140 (4HJ (DW12RUD))	Eq.V_ 20Q Heavy	Diesel	FWD	2179	103	140	08.19-10.23	■
2.2 BlueHdi 165 (4HH (DW12RUC))	Eq.V_ 20Q Heavy	Diesel	FWD	2179	121	165	08.19-10.23	■
2.2 HDi 100 (4HV (P22DTE))	increased payload, Eq.V_ 20Q Heavy	Diesel	FWD	2198	74	101	04.06-	■
2.2 HDi 110 (4HG (P22DTE))	increased payload, Eq.V_ 20Q Heavy	Diesel	FWD	2198	81	110	07.11-12.20	■
2.2 HDi 120 (4HU (P22DTE))	increased payload, Eq.V_ 20Q Heavy	Diesel	FWD	2198	88	120	04.06-12.16	■
2.2 HDi 130 (4HH (P22DTE))	increased payload, Eq.V_ 20Q Heavy	Diesel	FWD	2198	96	130	07.11-	■
2.2 HDi 150 (4HJ (P22DTE))	increased payload, Eq.V_ 20Q Heavy	Diesel	FWD	2198	110	150	07.11-	■
3.0 HDi 155 (F1CE0481D (F30DT))	increased payload, Eq.V_ 20Q Heavy, Weig. 4000	Diesel	FWD	2999	115	157	07.06-	■
3.0 HDi 160 (F1CE0481D (F30DT))	increased payload, Eq.V_ 20Q Heavy	Diesel	FWD	2999	116	157	09.06-	■
3.0 HDi 180 (F1CE3481E (F30DTE))	increased payload, Eq.V_ 20Q Heavy, Weig. 4000	Diesel	FWD	2999	130	177	07.11-	■

JUMPER III / RELAY 04.06-

Platform/Chassis (LCVs-N1 Segment)

è-JUMPER		Eléctrico	FWD		100	136	03.22-10.23	■
2.0 BlueHdi 110 (AHM (DW10FUE))	increased payload, Eq.V_ 20Q Heavy	Diesel	FWD	1997	81	110	11.15-09.19	■

LISTA DE APLICACIONES - BUYERS GUIDE

2.0 BlueHDi 130 (AHN (DW10FUD))	increased payload, Eq.V_ 20Q Heavy, Weig. 4000	Diesel	FWD	1997	96	130	11.15-09.19	■	
2.0 BlueHDi 130 4x4 (AHN (DW10FUD))	increased payload, Eq.V_ 20Q Heavy	Diesel	4WD	1997	96	130	11.15-09.19	■	
2.0 BlueHDi 160 (AHP (DW10FUC))	increased payload, Eq.V_ 20Q Heavy, Weig. 4000	Diesel	FWD	1997	120	163	11.15-09.19	■	
2.0 BlueHDi 160 4x4 (AHP (DW10FUC))	increased payload, Eq.V_ 20Q Heavy	Diesel	4WD	1997	120	163	11.15-09.19	■	
2.2 BlueHDi 120 (4HK (DW12RUE))	Eq.V_ 20Q Heavy	Diesel	FWD	2179	88	120	08.19-10.23	■	
2.2 BlueHDi 140 (4HJ (DW12RUD))	Eq.V_ 20Q Heavy	Diesel	FWD	2179	103	140	08.19-10.23	■	
2.2 BlueHDi 165 (4HH (DW12RUC))	Eq.V_ 20Q Heavy	Diesel	FWD	2179	121	165	08.19-10.23	■	
2.2 BlueHDi 180		Diesel	FWD	2184	132	180	11.23-	■	
2.2 HDi 100 (4HV (P22DTE))	increased payload, Eq.V_ 20Q Heavy	Diesel	FWD	2198	74	101	04.06-	■	
2.2 HDi 110 (4HG (P22DTE))	increased payload, Eq.V_ 20Q Heavy	Diesel	FWD	2198	81	110	07.11-12.20	■	
2.2 HDi 120 (4HU (P22DTE))	increased payload, Eq.V_ 20Q Heavy, Weig. 4000	Diesel	FWD	2198	88	120	04.06-12.16	■	
2.2 HDi 130 (4HH (P22DTE))	increased payload, Eq.V_ 20Q Heavy, Weig. 4000	Diesel	FWD	2198	96	130	07.06-	■	
2.2 HDi 150 (4HJ (P22DTE))	increased payload, Eq.V_ 20Q Heavy, Weig. 4000	Diesel	FWD	2198	110	150	07.11-	■	
3.0 HDi 145 (F30DTE (F1CE3481N))	increased payload, Eq.V_ 20Q Heavy	Diesel	FWD	2999	107	146	07.10-12.13	■	
3.0 HDi 160 (F1CE0481D (F30DT))	increased payload, Eq.V_ 20Q Heavy, Weig. 4000	Diesel	FWD	2999	116	157	09.06-12.15	■	
3.0 HDi 180 (F1CE3481E (F30DTE))	increased payload, Eq.V_ 20Q Heavy, Weig. 4000	Diesel	FWD	2999	130	177	07.11-	■	
JUMPER III / RELAY 04.06-					Van (LCVs-N1 Segment)				
ë-JUMPER		Eléctrico	FWD		100	136	07.21-10.23	■	
2.0 BlueHDi 110 (AHM (DW10FUE))	increased payload, Eq.V_ 20Q Heavy	Diesel	FWD	1997	81	110	11.15-09.19	■	
2.0 BlueHDi 130 (AHN (DW10FUD))	increased payload, Eq.V_ 20Q Heavy, Weig. 4000	Diesel	FWD	1997	96	130	11.15-09.19	■	
2.0 BlueHDi 130 4x4 (AHN (DW10FUD))	Eq.V_ 20Q Heavy	Diesel	4WD	1997	96	130	11.15-09.19	■	
2.0 BlueHDi 160 (AHP (DW10FUC))	increased payload, Eq.V_ 20Q Heavy, Weig. 4000	Diesel	FWD	1997	120	163	11.15-09.19	■	
2.0 BlueHDi 160 4x4 (AHP (DW10FUC))	increased payload, Eq.V_ 20Q Heavy	Diesel	4WD	1997	120	163	11.15-09.19	■	
2.2 BlueHDi 120 (4HK (DW12RUE))	Eq.V_ 20Q Heavy	Diesel	FWD	2179	88	120	08.19-10.23	■	
2.2 BlueHDi 140 (4HJ (DW12RUD))	Eq.V_ 20Q Heavy	Diesel	FWD	2179	103	140	08.19-10.23	■	
2.2 BlueHDi 165 (4HH (DW12RUC))	Eq.V_ 20Q Heavy	Diesel	FWD	2179	121	165	08.19-10.23	■	
2.2 BlueHDi 180		Diesel	FWD	2184	132	180	11.23-	■	
2.2 HDi 100 (4HV (P22DTE))	increased payload, Eq.V_ 20Q Heavy	Diesel	FWD	2198	74	101	04.06-12.12	■	
2.2 HDi 110 (4HG (P22DTE))	increased payload, Eq.V_ 20Q Heavy	Diesel	FWD	2198	81	110	07.11-12.20	■	
2.2 HDi 120 (4HU (P22DTE))	increased payload, Eq.V_ 20Q Heavy, Weig. 4000	Diesel	FWD	2198	88	120	04.06-12.16	■	
2.2 HDi 130 (4HH (P22DTE))	increased payload, Eq.V_ 20Q Heavy, Weig. 4000	Diesel	FWD	2198	96	130	07.11-	■	
2.2 HDi 130 4x4 (4HH (P22DTE))	Eq.V_ 20Q Heavy	Diesel	4WD	2198	96	130	01.12-05.16	■	
2.2 HDi 150 (4HJ (P22DTE))	increased payload, Eq.V_ 20Q Heavy, Weig. 4000	Diesel	FWD	2198	110	150	07.11-	■	
2.3 HDi	increased payload, Eq.V_ 20Q Heavy	Diesel	RWD	2287	93	127	10.09-	■	
2.3 HDi 135	increased payload, Eq.V_ 20Q Heavy	Diesel	RWD	2287	95	129	08.08-	■	
3.0 HDi 145 (F30DTE (F1CE3481N))	increased payload, Eq.V_ 20Q Heavy	Diesel	FWD	2999	107	146	07.10-12.13	■	
3.0 HDi 155 (F1CE0481D (F30DT))	increased payload, Eq.V_ 20Q Heavy, Weig. 4000	Diesel	FWD	2999	115	156	07.06-12.15	■	
3.0 HDi 160 (F1CE0481D (F30DT))	increased payload, Eq.V_ 20Q Heavy, Weig. 4000	Diesel	FWD	2999	116	157	09.06-12.15	■	
3.0 HDi 180 (F1CE3481E (F30DTE))	increased payload, Eq.V_ 20Q Heavy, Weig. 4000	Diesel	FWD	2999	130	177	07.11-	■	

LISTA DE APLICACIONES - BUYERS GUIDE

FIAT								
DUCATO III (250_) 07.06-				Bus (Minibus-M2-Segment)				
E-Ducato (250DPE)		Eléctrico	FWD		90	122	02.21-10.23	■
115 Multijet 2,0 D (250 A1.000)	increased payload, Eq.V_ 20Q Heavy	Diesel	FWD	1956	85	116	06.11-	■
115 Multijet 2,0 D (250 A2.000)	increased payload, Eq.V_ 20Q Heavy	Diesel	FWD	1956	85	116	06.11-	■
140 Multijet 2,2 D	Eq.V_ Heavy duty truck, not elec.brak.detent, 44B	Diesel	FWD	2184	103	140	07.21-10.23	■
100 Multijet 2,2 D (4HV)	increased payload, Eq.V_ 20Q Heavy	Diesel	FWD	2198	74	101	07.06-05.11	■
110 Multijet 2,3 D (F1AE3481G)		Diesel	FWD	2287	82	111	05.14-	■
110 Multijet 2,3 D (F1AE3481G)	increased payload, Eq.V_ 20Q Heavy	Diesel	FWD	2287	83	113	10.11-07.14	■
120 Multijet 2,3 D (F1AE0481D)	increased payload, Eq.V_ 20Q Heavy, disc brak.rear axle	Diesel	FWD	2287	88	120	07.06-10.13	■
130 Multijet 2,3 D	increased payload, Eq.V_ 20Q Heavy	Diesel	FWD	2287	93	126	01.10-	■
130 Multijet 2,3 D (F1AE0481N)	increased payload, Eq.V_ 20Q Heavy, disc brak.rear axle	Diesel	FWD	2287	96	131	01.07-	■
130 Multijet 2,3 D (F1AE3481D)	increased payload, Eq.V_ 20Q Heavy, disc brak.rear axle	Diesel	FWD	2287	96	131	01.07-	■
130 Multijet 2,3 D (F1AGL411D)	increased payload, Eq.V_ 20Q Heavy, disc brak.rear axle	Diesel	FWD	2287	96	131	01.07-	■
130 Multijet 2,3 D 4x4 (F1AE0481N)		Diesel	4WD	2287	96	131	06.11-	■
130 Multijet 2,3 D 4x4 (F1AE3481D)		Diesel	4WD	2287	96	131	06.11-	■
130 Multijet 2,3 D 4x4 (F1AGL411D)		Diesel	4WD	2287	96	131	06.11-	■
140 Multijet 2,3 D (F1AGL4113)	44B,LL1, Eq.V_ Right,Left, Vented disc	Diesel	FWD	2287	103	140	05.19-	■
150 Multijet 2,3 D (F1AE3481E)	increased payload, Eq.V_ 20Q Heavy	Diesel	FWD	2287	109	148	06.11-	■
150 Multijet 2,3 D (F1AGL411A)	increased payload, Eq.V_ 20Q Heavy, Vented disc	Diesel	FWD	2287	110	150	04.15-	■
150 Multijet 2,3 D (F1AGL411C)	increased payload, Eq.V_ 20Q Heavy, Vented disc	Diesel	FWD	2287	110	150	04.15-	■
150 Multijet 2,3 D 4x4 (F1AGL411A)	Vented disc	Diesel	4WD	2287	110	150	04.15-	■
150 Multijet 2,3 D 4x4 (F1AGL411C)	Vented disc	Diesel	4WD	2287	110	150	04.15-	■
160 Multijet 2,3 D (F1AGL4112)	44B,LL1, Eq.V_ Right,Left, Vented disc	Diesel	FWD	2287	118	160	05.19-	■
180 Multijet 2,3 D	increased payload, Eq.V_ 20Q Heavy	Diesel	FWD	2287	130	177	12.15-	■
180 Multijet 2,3 D (F1AGL4111)	44B,LL1, Eq.V_ Right,Left, Vented disc	Diesel	FWD	2287	130	177	05.19-	■
150 Multijet 3,0 D (F1CE3481N)	increased payload, Eq.V_ 20Q Heavy	Diesel	FWD	2999	107	146	04.10-07.14	■
160 Multijet 3,0 D (F1CE0481D)	increased payload, Eq.V_ 20Q Heavy	Diesel	FWD	2999	115	156	10.06-05.11	■
160 Multijet 3,0 D (F1CE0481D)	increased payload, Eq.V_ 20Q Heavy	Diesel	FWD	2999	116	158	07.06-05.11	■
160 Multijet 3,0 D (F1CE3481M)	increased payload, Eq.V_ 20Q Heavy	Diesel	FWD	2999	116	158	07.06-05.11	■
160 Multijet 3,0 D 4x4 (F1CE0481D)		Diesel	4WD	2999	116	158	07.06-05.11	■
160 Multijet 3,0 D 4x4 (F1CE3481M)		Diesel	4WD	2999	116	158	07.06-05.11	■
180 Multijet 3,0 D (F1CE3481E)	increased payload, Eq.V_ 20Q Heavy	Diesel	FWD	2999	130	177	06.11-	■
140 Natural Power (F1CE0441A)	increased payload, Eq.V_ 20Q Heavy	CNG	FWD	2999	100	136	04.09-	■
140 Natural Power (F1CFA401A)	increased payload, Eq.V_ 20Q Heavy	CNG	FWD	2999	100	136	04.09-	■
DUCATO III (250_) 07.06-				Platform/Chassis (LCVs-N1 Segment)				
E-Ducato (250DPE)		Eléctrico	FWD		90	122	02.21-10.23	■
115 Multijet 2,0 D (250 A1.000)	increased payload, Eq.V_ 20Q Heavy	Diesel	FWD	1956	85	116	06.11-	■
115 Multijet 2,0 D (250 A2.000)	increased payload, Eq.V_ 20Q Heavy	Diesel	FWD	1956	85	116	06.11-	■

LISTA DE APLICACIONES - BUYERS GUIDE

120 Multijet 2,2 D	Eq.V_ Heavy duty truck, not elec.brak.detent, 44B	Diesel	FWD	2184	88	120	07.21-	■	
140 Multijet 2,2 D	Eq.V_ Heavy duty truck, not elec.brak.detent, 44B	Diesel	FWD	2184	103	140	07.21-	■	
160 Multijet 2,2 D	Eq.V_ Heavy duty truck, not elec.brak.detent, 44B	Diesel	FWD	2184	118	160	07.21-10.23	■	
180 Multijet 2,2 D	Eq.V_ Heavy duty truck, not elec.brak.detent, 44B	Diesel	FWD	2184	132	180	07.21-	■	
100 Multijet 2,2 D (4HV)	increased payload, Eq.V_ 20Q Heavy	Diesel	FWD	2198	74	101	07.06-05.11	■	
110 Multijet 2,3 D (F1AE3481G)		Diesel	FWD	2287	82	111	08.06-	■	
110 Multijet 2,3 D (F1AE3481G)	increased payload, Eq.V_ 20Q Heavy	Diesel	FWD	2287	83	113	10.11-07.14	■	
120 Multijet 2,3 D (F1AE0481D)	increased payload, Eq.V_ 20Q Heavy, 44B,LL1, Eq.V_ Right,Left, disc brak.rear axle	Diesel	FWD	2287	88	120	07.06-	■	
120 Multijet 2,3 D (F1AGL4114)	increased payload, Eq.V_ 20Q Heavy, 44B,LL1, Eq.V_ Right,Left, disc brak.rear axle	Diesel	FWD	2287	88	120	07.06-	■	
120 Multijet 2,3 D 4x4 (F1AE0481D)	increased payload, Eq.V_ 20Q Heavy	Diesel	4WD	2287	88	120	03.10-	■	
130 Multijet 2,3 D	increased payload, Eq.V_ 20Q Heavy	Diesel	FWD	2287	93	126	08.06-	■	
130 Multijet 2,3 D (F1AE0481N)	increased payload, Eq.V_ 20Q Heavy	Diesel	FWD	2287	96	131	08.06-	■	
130 Multijet 2,3 D (F1AE3481D)	increased payload, Eq.V_ 20Q Heavy	Diesel	FWD	2287	96	131	08.06-	■	
130 Multijet 2,3 D (F1AGL411D)	increased payload, Eq.V_ 20Q Heavy	Diesel	FWD	2287	96	131	08.06-	■	
140 Multijet 2,3 D (F1AGL4113)	44B,LL1, Eq.V_ Right,Left, Vented disc	Diesel	FWD	2287	103	140	05.19-	■	
150 Multijet 2,3 D (F1AE3481E)	increased payload, Eq.V_ 20Q Heavy	Diesel	FWD	2287	109	148	06.11-	■	
150 Multijet 2,3 D (F1AGL411C)	increased payload, Eq.V_ 20Q Heavy, Vented disc	Diesel	FWD	2287	110	150	12.15-	■	
160 Multijet 2,3 D (F1AGL4112)	44B,LL1, Eq.V_ Right,Left, Vented disc	Diesel	FWD	2287	118	160	05.19-	■	
180 Multijet 2,3 D (F1AGL4111)	increased payload, Eq.V_ 20Q Heavy, 44B,LL1, Eq.V_ Right,Left, Vented disc	Diesel	FWD	2287	130	177	12.15-	■	
180 Multijet 2,3 D (F1AGL411B)	increased payload, Eq.V_ 20Q Heavy, 44B,LL1, Eq.V_ Right,Left, Vented disc	Diesel	FWD	2287	130	177	12.15-	■	
150 Multijet 3,0 D (F1CE3481N)	increased payload, Eq.V_ 20Q Heavy	Diesel	FWD	2999	107	146	04.10-07.14	■	
160 Multijet 3,0 D (F1CE0481D)	increased payload, Eq.V_ 20Q Heavy	Diesel	FWD	2999	116	158	07.06-05.14	■	
180 Multijet 3,0 D (F1CE3481E)	increased payload, Eq.V_ 20Q Heavy	Diesel	FWD	2999	130	177	06.11-	■	
140 Natural Power (F1CE0441A)	increased payload, Eq.V_ 20Q Heavy	CNG	FWD	2999	100	136	04.09-	■	
140 Natural Power (F1CFA401A)	increased payload, Eq.V_ 20Q Heavy	CNG	FWD	2999	100	136	04.09-	■	
DUCATO III (250_) 07.06-						Van (LCVs-N1 Segment)			
E-Ducato (250DPE)		Eléctrico	FWD		90	122	12.20-10.23	■	
115 Multijet 2,0 D (250 A1.000)	increased payload, Eq.V_ 20Q Heavy	Diesel	FWD	1956	85	116	06.11-	■	
115 Multijet 2,0 D (250 A2.000)	increased payload, Eq.V_ 20Q Heavy	Diesel	FWD	1956	85	116	06.11-	■	
120 Multijet 2,2 D	Eq.V_ Heavy duty truck, not elec.brak.detent, 44B	Diesel	FWD	2184	88	120	07.21-	■	
140 Multijet 2,2 D	Eq.V_ Heavy duty truck, not elec.brak.detent, 44B	Diesel	FWD	2184	103	140	07.21-	■	
160 Multijet 2,2 D	Eq.V_ Heavy duty truck, not elec.brak.detent, 44B	Diesel	FWD	2184	118	160	07.21-10.23	■	
180 Multijet 2,2 D	Eq.V_ Heavy duty truck, not elec.brak.detent, 44B	Diesel	FWD	2184	132	180	07.21-	■	
100 Multijet 2,2 D (4HV)	increased payload, Eq.V_ 20Q Heavy	Diesel	FWD	2198	74	101	07.06-05.11	■	
110 Multijet 2,3 D (F1AE3481G)		Diesel	FWD	2287	82	111	05.14-	■	

LISTA DE APLICACIONES - BUYERS GUIDE

110 Multijet 2,3 D (F1AE3481G)	increased payload, Eq.V_ 20Q Heavy	Diesel	FWD	2287	83	113	10.11-07.14	■
120 Multijet 2,3 D (F1AE0481D)	increased payload, Eq.V_ 20Q Heavy, 44B,LL1, Eq.V_ Right,Left, disc brak.rear axle	Diesel	FWD	2287	88	120	07.06-	■
120 Multijet 2,3 D (F1AGL4114)	increased payload, Eq.V_ 20Q Heavy, 44B,LL1, Eq.V_ Right,Left, disc brak.rear axle	Diesel	FWD	2287	88	120	07.06-	■
120 Multijet 2,3 D 4x4 (F1AE0481D)	increased payload, Eq.V_ 20Q Heavy	Diesel	4WD	2287	88	120	03.10-	■
130 Multijet 2,3 D	increased payload, Eq.V_ 20Q Heavy	Diesel	FWD	2287	93	126	08.06-12.18	■
130 Multijet 2,3 D (F1AE0481N)	increased payload, Eq.V_ 20Q Heavy	Diesel	FWD	2287	96	131	08.06-	■
130 Multijet 2,3 D (F1AE3481D)	increased payload, Eq.V_ 20Q Heavy	Diesel	FWD	2287	96	131	08.06-	■
130 Multijet 2,3 D (F1AGL411D)	increased payload, Eq.V_ 20Q Heavy	Diesel	FWD	2287	96	131	08.06-	■
130 Multijet 2,3 D 4x4 (F1AE0481N)		Diesel	4WD	2287	96	131	06.11-	■
130 Multijet 2,3 D 4x4 (F1AE3481D)		Diesel	4WD	2287	96	131	06.11-	■
130 Multijet 2,3 D 4x4 (F1AGL411D)		Diesel	4WD	2287	96	131	06.11-	■
140 Multijet 2,3 D (F1AGL4113)	44B,LL1, Eq.V_ Right,Left, Vented disc	Diesel	FWD	2287	103	140	05.19-	■
150 Multijet 2,3 D (F1AE3481E)	increased payload, Eq.V_ 20Q Heavy	Diesel	FWD	2287	109	148	06.11-	■
150 Multijet 2,3 D (F1AGL411A)	increased payload, Eq.V_ 20Q Heavy, Vented disc	Diesel	FWD	2287	110	150	12.15-	■
150 Multijet 2,3 D (F1AGL411C)	increased payload, Eq.V_ 20Q Heavy, Vented disc	Diesel	FWD	2287	110	150	12.15-	■
150 Multijet 2,3 D 4x4 (F1AGL411A)	Vented disc	Diesel	4WD	2287	110	150	12.15-	■
150 Multijet 2,3 D 4x4 (F1AGL411C)	Vented disc	Diesel	4WD	2287	110	150	12.15-	■
160 Multijet 2,3 D (F1AGL4112)	44B,LL1, Eq.V_ Right,Left, Vented disc	Diesel	FWD	2287	118	160	05.19-	■
180 Multijet 2,3 D (F1AGL4111)	increased payload, Eq.V_ 20Q Heavy, 44B,LL1, Eq.V_ Right,Left, Vented disc	Diesel	FWD	2287	130	177	12.15-	■
180 Multijet 2,3 D (F1AGL411B)	increased payload, Eq.V_ 20Q Heavy, 44B,LL1, Eq.V_ Right,Left, Vented disc	Diesel	FWD	2287	130	177	12.15-	■
150 Multijet 3,0 D (F1CE3481N)	increased payload, Eq.V_ 20Q Heavy	Diesel	FWD	2999	107	146	04.10-07.14	■
160 Multijet 3,0 D (F1CE0481D)	increased payload, Eq.V_ 20Q Heavy	Diesel	FWD	2999	116	158	07.06-05.11	■
160 Multijet 3,0 D 4x4 (F1CE0481D)		Diesel	4WD	2999	116	158	07.06-05.11	■
160 Multijet 3,0 D 4x4 (F1CE3481M)		Diesel	4WD	2999	116	158	07.06-05.11	■
180 Multijet 3,0 D (F1CE3481E)	increased payload, Eq.V_ 20Q Heavy	Diesel	FWD	2999	130	177	06.11-	■
140 Natural Power (F1CE0441A)	increased payload, Eq.V_ 20Q Heavy	CNG	FWD	2999	100	136	04.09-	■
140 Natural Power (F1CFA401A)	increased payload, Eq.V_ 20Q Heavy	CNG	FWD	2999	100	136	04.09-	■

OPEL

								Platform/Chassis (LCVs-N1 Segment)
MOVANO C (U9, X250) 12.21-								
2.2 D	discØ 300, Weig. 400, Eq.V_ HEAVY DUTY TRUCK	Diesel	FWD	2179	103	140	12.21-10.23	■
2.2 D	discØ 300, Weig. 400, Eq.V_ HEAVY DUTY TRUCK	Diesel	FWD	2179	121	165	12.21-10.23	■
2.2 BlueHDi 120		Diesel	FWD	2184	88	120	11.23-	■
2.2 BlueHDi 140		Diesel	FWD	2184	103	140	11.23-	■
2.2 BlueHDi 180		Diesel	FWD	2184	132	180	11.23-	■
MOVANO C (U9, X250) 12.21-								Van (LCVs-N1 Segment)
MOVANO-e		Eléctrico	FWD		100	136	12.21-10.23	■
2.2 D	discØ 300, Weig. 400, Eq.V_ HEAVY DUTY TRUCK	Diesel	FWD	2179	121	165	12.21-10.23	■
2.2 BlueHDi 140		Diesel	FWD	2184	103	140	11.23-	■

LISTA DE APLICACIONES - BUYERS GUIDE

2.2 BlueHDi 180		Diesel	FWD	2184	132	180	11.23-		■
PEUGEOT									
BOXER II (244) 12.01-						Van (LCVs-N1 Segment)			
2.3 HDi	increased payload, Eq.V_ 20Q Heavy	Diesel	FWD	2287	93	126	02.07-		■
BOXER III / MANAGER 09.05-						Bus (Minibus-M2-Segment)			
2.0 BlueHDi 110 (AHM (DW10FUE))	increased payload, Eq.V_ 20Q Heavy	Diesel	FWD	1997	81	110	07.15-09.19		■
2.0 BlueHDi 130 (AHN (DW10FUD))	increased payload, Eq.V_ 20Q Heavy	Diesel	FWD	1997	96	130	07.15-09.19		■
2.0 BlueHDi 160 (AHP (DW10FUC))	increased payload, Eq.V_ 20Q Heavy	Diesel	FWD	1997	120	163	07.15-09.19		■
2.2 BlueHDi 120 (4HK (DW12RUE))	Eq.V_ 20Q Heavy, Mid Life	Diesel	FWD	2179	88	120	07.19-10.23		■
2.2 BlueHDi 140 (4HJ (DW12RUD))	Eq.V_ 20Q Heavy, Mid Life	Diesel	FWD	2179	103	140	07.19-		■
2.2 BlueHDi 165 (4HH (DW12RUC))	Eq.V_ 20Q Heavy, Mid Life	Diesel	FWD	2179	121	165	08.19-10.23		■
2.2 HDi 100 (4HV (P22DTE))	increased payload, Eq.V_ 20Q Heavy	Diesel	FWD	2198	74	101	04.06-		■
2.2 HDi 110 (4HG (P22DTE))	increased payload, Eq.V_ 20Q Heavy	Diesel	FWD	2198	81	110	03.11-12.20		■
2.2 HDi 120 (4HU (P22DTE))	increased payload, Eq.V_ 20Q Heavy	Diesel	FWD	2198	88	120	04.06-12.16		■
2.2 HDi 130 (4HH (P22DTE))	increased payload, Eq.V_ 20Q Heavy, Weig. 4000	Diesel	FWD	2198	96	131	03.11-		■
2.2 HDi 150 (4HJ (P22DTE))	increased payload, Eq.V_ 20Q Heavy, Weig. 4000	Diesel	FWD	2198	110	150	03.11-		■
2.3 HDi	increased payload, Eq.V_ 20Q Heavy	Diesel	RWD	2287	93	126	04.06-		■
2.8 HDi	increased payload, Eq.V_ 20Q Heavy	Diesel	FWD	2798	93	127	09.05-09.09		■
3.0 HDi 145 (F1CE3481N (F30DTE))	increased payload, Eq.V_ 20Q Heavy	Diesel	FWD	2999	107	146	04.10-12.13		■
3.0 HDi	increased payload, Eq.V_ 20Q Heavy	Diesel	RWD	2999	115	156	07.06-		■
3.0 HDi 160 (F1CE0481D (F30DT))	increased payload, Eq.V_ 20Q Heavy, Weig. 4000	Diesel	FWD	2999	115	156	04.06-12.15		■
3.0 HDi 175 (F1CE3481E (F30DTE))	increased payload, Eq.V_ 20Q Heavy, Weig. 4000	Diesel	FWD	2999	130	177	03.11-		■
BOXER III / MANAGER 04.06-						Platform/Chassis (LCVs-N1 Segment)			
2.0 BlueHDi 110 (AHM (DW10FUE))	increased payload, Eq.V_ 20Q Heavy	Diesel	FWD	1997	81	110	03.16-09.19		■
2.0 BlueHDi 130 (AHN (DW10FUD))	increased payload, Eq.V_ 20Q Heavy, Weig. 4000	Diesel	FWD	1997	96	130	03.16-09.19		■
2.0 BlueHDi 160 (AHP (DW10FUC))	increased payload, Eq.V_ 20Q Heavy, Weig. 4000	Diesel	FWD	1997	120	163	03.16-12.23		■
2.2 BlueHDi 120 (4HK (DW12RUE))	Eq.V_ 20Q Heavy	Diesel	FWD	2179	88	120	08.19-10.23		■
2.2 BlueHDi 140 (4HJ (DW12RUD))	Eq.V_ 20Q Heavy	Diesel	FWD	2179	103	140	08.19-10.23		■
2.2 BlueHDi 165 (4HH (DW12RUC))	Eq.V_ 20Q Heavy	Diesel	FWD	2179	121	165	08.19-10.23		■
2.2 BlueHDi 180		Diesel	FWD	2184	132	180	11.23-		■
2.2 HDi 100 (4HV (P22DTE))	increased payload, Eq.V_ 20Q Heavy	Diesel	FWD	2198	74	101	04.06-		■
2.2 HDi 110 (4HG (P22DTE))	increased payload, Eq.V_ 20Q Heavy	Diesel	FWD	2198	81	110	03.11-12.20		■
2.2 HDi 120 (4HU (P22DTE))	increased payload, Eq.V_ 20Q Heavy	Diesel	FWD	2198	88	120	04.06-12.16		■
2.2 HDi 130 (4HH (P22DTE))	increased payload, Eq.V_ 20Q Heavy, Weig. 4000	Diesel	FWD	2198	96	131	04.06-		■
2.2 HDi 150 (4HJ (P22DTE))	increased payload, Eq.V_ 20Q Heavy, Weig. 4000	Diesel	FWD	2198	110	150	03.11-		■
3.0 HDi 145 (F1CE3481N (F30DTE))	increased payload, Eq.V_ 20Q Heavy	Diesel	FWD	2999	107	146	04.10-12.13		■
3.0 HDi 155 (F1CE0481D (F30DT))	increased payload, Eq.V_ 20Q Heavy, Weig. 4000	Diesel	FWD	2999	115	156	04.06-12.15		■
3.0 HDi 160 (F1CE0481D (F30DT))	increased payload, Eq.V_ 20Q Heavy, Weig. 4000	Diesel	FWD	2999	116	156	04.06-12.15		■

LISTA DE APLICACIONES - BUYERS GUIDE

3.0 HDi 175 (F1CE3481E (F30DTE))	increased payload, Eq.V_ 20Q Heavy, Weig. 4000	Diesel	FWD	2999	130	177	03.11-	■	
BOXER III / MANAGER 04.06-					Van (LCVs-N1 Segment)				
2.0 BlueHDi 110 (AHM (DW10FUE))	increased payload, Eq.V_ 20Q Heavy	Diesel	FWD	1997	81	110	03.16-09.19	■	
2.0 BlueHDi 130 (AHN (DW10FUD))	increased payload, Eq.V_ 20Q Heavy	Diesel	FWD	1997	96	130	03.16-09.19	■	
2.0 BlueHDi 130 4x4 (AHN (DW10FUD))	Eq.V_ 20Q Heavy	Diesel	4WD	1997	96	130	03.16-09.19	■	
2.0 FURGAO (AHN (DW10FUD))	Eq.V_ 20Q Heavy	Diesel	FWD	1997	96	130	01.19-	■	
2.0 BlueHDi 160 (AHP (DW10FUC))	increased payload, Eq.V_ 20Q Heavy, Weig. 4000	Diesel	FWD	1997	120	163	03.16-12.23	■	
2.0 BlueHDi 160 4x4 (AHP (DW10FUC))	Eq.V_ 20Q Heavy	Diesel	4WD	1997	120	163	03.16-09.19	■	
2.2 BlueHDi 120 (4HK (DW12RUE))	Eq.V_ 20Q Heavy, Mid Life	Diesel	FWD	2179	88	120	07.19-10.23	■	
2.2 BlueHDi 140 (4HJ (DW12RUD))	Weig. 4000, Eq.V_ 20Q Heavy, Mid Life	Diesel	FWD	2179	103	140	07.19-	■	
2.2 BlueHDi 165 (4HH (DW12RUC))	Weig. 4000, Eq.V_ 20Q Heavy, Mid Life	Diesel	FWD	2179	121	165	07.19-10.23	■	
2.2 BlueHDi 180		Diesel	FWD	2184	132	180	11.23-	■	
2.2 HDi 100 (4HV (P22DTE))	increased payload, Eq.V_ 20Q Heavy	Diesel	FWD	2198	74	101	04.06-	■	
2.2 HDi 110 (4HG (P22DTE))	increased payload, Eq.V_ 20Q Heavy	Diesel	FWD	2198	81	110	03.11-12.20	■	
2.2 HDi 120 (4HU (P22DTE))	increased payload, Eq.V_ 20Q Heavy	Diesel	FWD	2198	88	120	04.06-12.16	■	
2.2 HDi 130 (4HH (P22DTE))	increased payload, Eq.V_ 20Q Heavy, Weig. 4000	Diesel	FWD	2198	96	131	03.11-	■	
2.2 HDi 150 (4HJ (P22DTE))	increased payload, Eq.V_ 20Q Heavy, Weig. 4000	Diesel	FWD	2198	110	150	03.11-	■	
2.8 HDi	increased payload, Eq.V_ 20Q Heavy	Diesel	RWD	2798	93	127	04.06-09.09	■	
3.0 HDi 145 (F1CE3481N (F30DTE))	increased payload, Eq.V_ 20Q Heavy	Diesel	FWD	2999	107	146	04.10-12.13	■	
3.0 HDi 155 (F1CE0481D (F30DT))	increased payload, Eq.V_ 20Q Heavy	Diesel	FWD	2999	115	156	07.06-12.15	■	
3.0 HDi 160 (F1CE0481D (F30DT))	increased payload, Eq.V_ 20Q Heavy, Weig. 4000	Diesel	FWD	2999	116	156	04.06-12.15	■	
3.0 HDi 175 (F1CE3481E (F30DTE))	increased payload, Eq.V_ 20Q Heavy, Weig. 4000	Diesel	FWD	2999	130	177	03.11-	■	
RAM									
PROMASTER 1500 (VF1) 09.13-					Van (LCVs-N1 Segment)				
3.6	increased payload, Eq.V_ 20Q Heavy	Gasolina	FWD	3604	209	284	09.13-	■	
3.0 D (EXG)		Diesel	FWD	2998	130	177	09.13-	■	
PROMASTER 2500 09.13-					Platform/Chassis (LCVs-N1 Segment)				
3.6 FLEX (ERB)	reinforced brakes	Gasol./Etanol	FWD	3604	209	284	09.13-	■	
3.0 D (EXG)	reinforced brakes	Diesel	FWD	2998	130	177	08.16-	■	
PROMASTER 2500 (VF2) 09.13-					Van (LCVs-N1 Segment)				
3.0 D (EXG)		Gasolina	FWD	2998	130	177	09.13-	■	
3.6	increased payload, Eq.V_ 20Q Heavy	Gasolina	FWD	3604	209	284	09.13-	■	
PROMASTER 3500 (VF3) 09.13-					Platform/Chassis (LCVs-N1 Segment)				
3.0 D (EXG)		Diesel	FWD	2998	130	177	09.13-	■	
3.0 D (EXG)		Diesel	FWD	2998	130	177	09.13-	■	
PROMASTER 3500 (VF3) 09.13-					Van (LCVs-N1 Segment)				
3.6	increased payload, Eq.V_ 20Q Heavy	Gasolina	FWD	3604	209	284	09.13-	■	
3.6 FLEX	reinforced brakes	Gasol./Etanol	FWD	3604	209	284	08.16-	■	
3.0 D (EXG)		Diesel	FWD	2998	130	177	09.13-	■	

LISTA DE APLICACIONES - BUYERS GUIDE

3.0 D (EXG)	reinforced brakes	Diesel	FWD	2998	130	177	08.16-	■
VAUXHALL								
MOVANO Mk III © (U9, X250) 12.21-						Platform/Chassis (LCVs-N1 Segment)		
2.2 D		Diesel	FWD	2179	121	165	12.22-10.23	■
MOVANO Mk III © (U9, X250) 12.21-						Van (LCVs-N1 Segment)		
2.2 D	discØ 300, Weig. 400, Eq.V_ HEAVY DUTY TRUCK	Diesel	FWD	2179	103	140	12.21-10.23	■
2.2 D		Diesel	FWD	2184	103	140	11.23-	■
2.2 D		Diesel	FWD	2184	132	180	11.23-	■