

# LISTA DE APLICACIONES - BUYERS GUIDE

## 142284

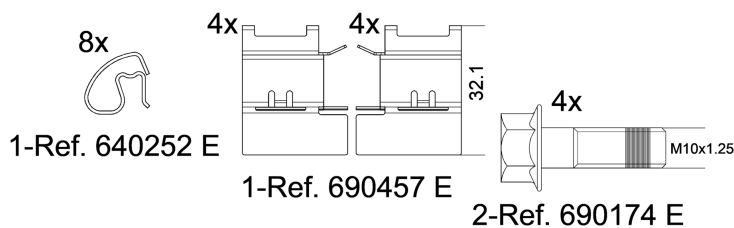
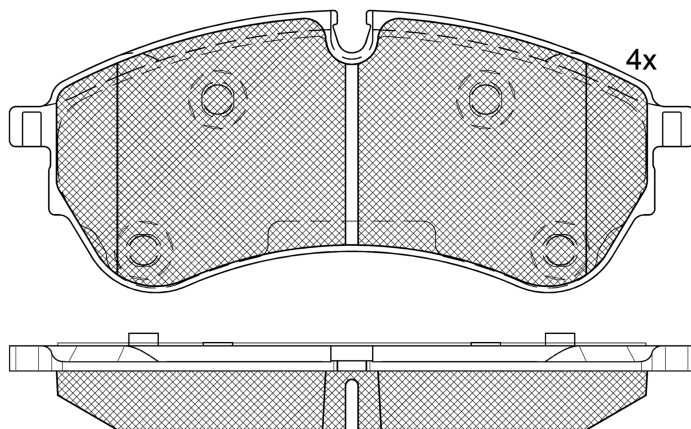


8 424073 171313

Qty: 300

Weight: 2.600

O.E.M.	MAKE
2N0 698 151	VW
65508206000	MAN



## 142284

**E 9** 90R-02A0111/5085



Chassis Brake Int. (Bosch)

163.6x67.4x20.7

WVA	FMSI
22147	D2247-9483
MAKE	
FORD	
MAN	
VW	



Trac.	CC	Kw	CV			Front / Rear
-------	----	----	----	--	--	--------------

### FORD

TRANSIT V (FD_, FB_, FS_, FZ_, FC_) 04.06-							Bus (Minibus-M2-Segment)		
3.2 TDCi (SAFA)	PR 1LB	Diesel	RWD	3199	147	200	02.08-08.14		■
3.2 TDCi (SAFB)	PR 1LB	Diesel	RWD	3199	147	200	02.08-08.14		■

### MAN

TGE 02.17-							Bus (Minibus-M2-Segment)		
2.0 TDI (DAUB)	PR 1LA, Type U*,*V	Diesel	FWD	1968	75	102	02.17-06.24	■	
2.0 TDI (DAUB)	PR 1LB, Type U*,*V	Diesel	FWD	1968	75	102	02.17-06.24		■
2.0 TDI RWD	PR 1LA	Diesel	RWD	1968	90	122	01.19-12.21	■	
2.0 TDI (DAUA)	PR 1LA, Type U*,*V	Diesel	FWD	1968	103	140	02.17-	■	
2.0 TDI (DAUA)	PR 1LB, Type U*,*V	Diesel	FWD	1968	103	140	02.17-		■
2.0 TDI AWD (DAUA)	PR 1LA, Type U*,*V	Diesel	4WD	1968	103	140	02.17-	■	
2.0 TDI AWD (DAUA)	PR 1LB, Type U*,*V	Diesel	4WD	1968	103	140	02.17-		■
2.0 TDI (DAVA)	PR 1LA, Type U*,*V	Diesel	FWD	1968	130	177	02.17-	■	
2.0 TDI (DAVA)	PR 1LB, Type U*,*V	Diesel	FWD	1968	130	177	02.17-		■
2.0 TDI AWD (DAVA)	PR 1LA, Type U*,*V	Diesel	4WD	1968	130	177	02.17-	■	
2.0 TDI AWD (DAVA)	PR 1LB, Type U*,*V	Diesel	4WD	1968	130	177	02.17-		■
2.0 TDI RWD (DAVA)	PR 1LA	Diesel	RWD	1968	130	177	02.17-06.24	■	

TGE (UZ_) 11.16-							Platform/Chassis (LCVs-N1 Segment)		
2.0 TDI (DAUB)	PR 1LA, Type U*,*V	Diesel	FWD	1968	75	102	11.16-06.24	■	
2.0 TDI (DAUB)	PR 1LB, Type U*,*V	Diesel	FWD	1968	75	102	11.16-06.24		■
2.0 TDI RWD (DASA)	PR 1LA, Type U*,*V	Diesel	RWD	1968	90	122	08.17-12.21	■	
2.0 TDI RWD (DASA)	PR 1LB, Type U*,*V, for dual tyres	Diesel	RWD	1968	90	122	08.17-12.21		■

## LISTA DE APLICACIONES - BUYERS GUIDE

2.0 TDI (UZZB, UZZC, 08V, UZZH, UZZI, 10V, UZZO, UZZP, 21V,... (DAUA))	PR 1LA, Type U*,*V	Diesel	FWD	1968	103	140	11.16-	■	
2.0 TDI (UZZB, UZZC, 08V, UZZH, UZZI, 10V, UZZO, UZZP, 21V,... (DAUA))	PR 1LB, Type U*,*V	Diesel	FWD	1968	103	140	11.16-		■
2.0 TDI AWD (UZZB, UZZC, 15V, UZZH, UZZI, 19V, UZZO, UZZP,... (DAUA))	PR 1LA, Type U*,*V	Diesel	4WD	1968	103	140	11.17-	■	
2.0 TDI AWD (UZZB, UZZC, 15V, UZZH, UZZI, 19V, UZZO, UZZP,... (DAUA))	PR 1LB, Type U*,*V	Diesel	4WD	1968	103	140	11.17-		■
2.0 TDI RWD (UZZB, UZZC, UZZH, UZZI, UZZO, UZZP, 14V, 18V, 22V... (DASB))	PR 1LA, Type U*,*V	Diesel	RWD	1968	103	140	11.17-	■	
2.0 TDI RWD (UZZB, UZZC, UZZH, UZZI, UZZO, UZZP, 14V, 18V, 22V... (DASB))	PR 1LB, Type U*,*V, for dual tyres	Diesel	RWD	1968	103	140	11.17-		■
2.0 TDI (UZZB, UZZC, UZZH, UZZI, UZZO, UZZP, UZZJ, UZZK, 14V,...)	PR 1LB	Diesel	FWD	1968	120	163	11.22-		■
2.0 TDI AWD (UZZB, UZZC, UZZH, UZZI, UZZO, UZZP, 15V, 19V)	PR 1LB	Diesel	4WD	1968	120	163	11.22-		■
2.0 TDI RWD (UZZB, UZZC, UZZH, UZZI, UZZO, UZZP, 14V, 18V, 22V...)	PR 1LA	Diesel	RWD	1968	120	163	03.23-	■	
2.0 TDI (DAVA)	PR 1LA, Type U*,*V	Diesel	FWD	1968	130	177	11.16-	■	
2.0 TDI (DAVA)	PR 1LB, Type U*,*V	Diesel	FWD	1968	130	177	11.16-		■
2.0 TDI AWD (DAVA)	PR 1LA, Type U*,*V	Diesel	4WD	1968	130	177	11.17-	■	
2.0 TDI AWD (DAVA)	PR 1LB, Type U*,*V	Diesel	4WD	1968	130	177	11.17-		■
2.0 TDI RWD (DAWA)	PR 1LA, Type U*,*V	Diesel	RWD	1968	130	177	07.17-06.24	■	
2.0 TDI RWD (DAWA)	PR 1LB, Type U*,*V, for dual tyres	Diesel	RWD	1968	130	177	07.17-06.24		■
<b>TGE 02.17-</b>						<b>Van (LCVs-N1 Segment)</b>			
eTGE (35V, UXB) (EBHA)	PR 1LA, Type U*,*V	Eléctrico	FWD		100	136	07.18-	■	
eTGE (35V, UXB) (EBHA)	PR 1LB, Type U*,*V	Eléctrico	FWD		100	136	07.18-		■
2.0 TDI (01V, 03V, 36V, UYB, UYC, UYD) (DAUB)	PR 1LA, Type U*,*V	Diesel	FWD	1968	75	102	02.17-06.24	■	
2.0 TDI (01V, 03V, 36V, UYB, UYC, UYD) (DAUB)	PR 1LB, Type U*,*V	Diesel	FWD	1968	75	102	02.17-06.24		■
2.0 TDI RWD (11V, 12V, 33V, 34V, UYB, UYC, UYD) (DASA)	PR 1LA, Type U*,*V	Diesel	RWD	1968	90	122	08.17-12.21	■	
2.0 TDI RWD (11V, 12V, 33V, 34V, UYB, UYC, UYD) (DASA)	PR 1LB, Type U*,*V, for dual tyres	Diesel	RWD	1968	90	122	08.17-12.21		■
2.0 TDI (01V, 03V, 36V, UYB, UYC, UYD) (DAUA)	PR 1LA, Type U*,*V	Diesel	FWD	1968	103	140	02.17-	■	
2.0 TDI (01V, 03V, 36V, UYB, UYC, UYD) (DAUA)	PR 1LB, Type U*,*V	Diesel	FWD	1968	103	140	02.17-		■
2.0 TDI AWD (02V, 04V, 37V, UYB, UYC, UYD) (DAUA)	PR 1LA, Type U*,*V	Diesel	4WD	1968	103	140	04.17-	■	
2.0 TDI AWD (02V, 04V, 37V, UYB, UYC, UYD) (DAUA)	PR 1LB, Type U*,*V	Diesel	4WD	1968	103	140	04.17-		■
2.0 TDI RWD (11V, 12V, UYB, UYC, UYD) (DASB)	PR 1LA, Type U*,*V	Diesel	RWD	1968	103	140	10.17-	■	
2.0 TDI RWD (11V, 12V, UYB, UYC, UYD) (DASB)	PR 1LB, Type U*,*V, for dual tyres	Diesel	RWD	1968	103	140	10.17-		■
2.0 TDI (UYB, UYC, UYD, 01V, 09V, 03V, 10V)	PR 1LB	Diesel	FWD	1968	120	163	11.22-		■
2.0 TDI AWD (UYB, UYC, UYD, 02V, 04V)	PR 1LB	Diesel	4WD	1968	120	163	11.22-		■
2.0 TDI RWD (UYB, UYC, UYD, 11V, 12V, 33V)	PR 1LA	Diesel	RWD	1968	120	163	03.23-	■	
2.0 TDI (01V, 03V, 36V, UYB, UYC, UYD) (DAVA)	PR 1LA, Type U*,*V	Diesel	FWD	1968	130	177	02.17-	■	
2.0 TDI (01V, 03V, 36V, UYB, UYC, UYD) (DAVA)	PR 1LB, Type U*,*V	Diesel	FWD	1968	130	177	02.17-		■
2.0 TDI AWD (02V, 04V, 37V, UYB, UYC, UYD) (DAVA)	PR 1LA, Type U*,*V	Diesel	4WD	1968	130	177	03.17-	■	
2.0 TDI AWD (02V, 04V, 37V, UYB, UYC, UYD) (DAVA)	PR 1LB, Type U*,*V	Diesel	4WD	1968	130	177	03.17-		■
2.0 TDI RWD (11V, 12V, 33V, 34V, UYB, UYC, UYD) (DAWA)	PR 1LA, Type U*,*V	Diesel	RWD	1968	130	177	05.17-06.24	■	
2.0 TDI RWD (11V, 12V, 33V, 34V, UYB, UYC, UYD) (DAWA)	PR 1LB, Type U*,*V, for dual tyres	Diesel	RWD	1968	130	177	05.17-06.24		■

**VW**

# LISTA DE APLICACIONES - BUYERS GUIDE

<b>CRAFTER II (SYI, SYJ) 09.16-</b>						<b>Bus (Minibus-M2-Segment)</b>			
2.0 TDI FWD (DAUB)	PR 1LA	Diesel	FWD	1968	75	102	10.16-06.24	■	
2.0 TDI FWD (DAUB)	PR 1LB	Diesel	FWD	1968	75	102	10.16-06.24		■
2.0 TDI 4motion (DAUA)	PR 1LA	Diesel	4WD	1968	103	140	04.17-	■	
2.0 TDI 4motion (DAUA)	PR 1LB	Diesel	4WD	1968	103	140	04.17-		■
2.0 TDI FWD (DAUA)	PR 1LA	Diesel	FWD	1968	103	140	09.16-	■	
2.0 TDI FWD (DAUA)	PR 1LB	Diesel	FWD	1968	103	140	09.16-		■
2.0 TDI 4motion (DAVA)	PR 1LA	Diesel	4WD	1968	130	177	03.17-	■	
2.0 TDI 4motion (DAVA)	PR 1LB	Diesel	4WD	1968	130	177	03.17-		■
2.0 TDI FWD (DAVA)	PR 1LA	Diesel	FWD	1968	130	177	09.16-	■	
2.0 TDI FWD (DAVA)	PR 1LB	Diesel	FWD	1968	130	177	09.16-		■
<b>CRAFTER II (SZ_) 11.16-</b>						<b>Platform/Chassis (LCVs-N1 Segment)</b>			
2.0 TDI FWD (SZB, SZC, SZH, SZI, SZJ, SZK, SZO, SZP, SZS... (DAUB)	PR 1LA	Diesel	FWD	1968	75	102	11.16-06.24	■	
2.0 TDI FWD (SZB, SZC, SZH, SZI, SZJ, SZK, SZO, SZP, SZS... (DAUB)	PR 1LB	Diesel	FWD	1968	75	102	11.16-06.24		■
2.0 TDI RWD (SZB, SZC, SZD, SZO, SZP, SZQ, SZU, SZV) (DASC)	PR 1LA	Diesel	RWD	1968	80	109	11.16-06.24	■	
2.0 TDI RWD (SZB, SZC, SZD, SZO, SZP, SZQ, SZU, SZV) (DASC)	PR 1LB, for dual tyres	Diesel	RWD	1968	80	109	11.16-06.24		■
2.0 TDI RWD (SZB, SZC, SZD, SZO, SZP, SZQ, SZU, SZV) (DASA)	PR 1LA	Diesel	RWD	1968	90	122	08.17-12.21	■	
2.0 TDI RWD (SZB, SZC, SZD, SZO, SZP, SZQ, SZU, SZV) (DASA)	PR 1LB, for dual tyres	Diesel	RWD	1968	90	122	08.17-12.21		■
2.0 TDI 4motion (SZB, SZC, SZH, SZI, SZO, SZP, SZU, SZV) (DAUA)	PR 1LA	Diesel	4WD	1968	103	140	11.17-	■	
2.0 TDI 4motion (SZB, SZC, SZH, SZI, SZO, SZP, SZU, SZV) (DAUA)	PR 1LB	Diesel	4WD	1968	103	140	11.17-		■
2.0 TDI FWD (SZB, SZC, SZH, SZI, SZJ, SZK, SZO, SZP, SZS... (DAUA)	PR 1LA	Diesel	FWD	1968	103	140	11.16-	■	
2.0 TDI FWD (SZB, SZC, SZH, SZI, SZJ, SZK, SZO, SZP, SZS... (DAUA)	PR 1LB	Diesel	FWD	1968	103	140	11.16-		■
2.0 TDI RWD (SZB, SZC, SZD, SZO, SZP, SZQ, SZU, SZV) (DASB)	PR 1LA	Diesel	RWD	1968	103	140	11.17-	■	
2.0 TDI RWD (SZB, SZC, SZD, SZO, SZP, SZQ, SZU, SZV) (DASB)	PR 1LB, for dual tyres	Diesel	RWD	1968	103	140	11.17-		■
2.0 TDI 4motion (SZB, SZC, SZH, SZI, SZO, SZP, SZU, SZV)	PR 1LA	Diesel	4WD	1968	120	163	11.22-	■	
2.0 TDI FWD (SZB, SZC, SZH, SZI, SZJ, SZK, SZO, SZP, SZS...)	PR 1LA	Diesel	FWD	1968	120	163	11.22-	■	
2.0 TDI RWD (SZB, SZC, SZD, SZO, SZP, SZQ, SZU, SZV)	PR 1LA	Diesel	RWD	1968	120	163	03.23-	■	
2.0 TDI 4motion (SZB, SZC, SZH, SZI, SZO, SZP, SZU, SZV) (DAVA)	PR 1LA	Diesel	4WD	1968	130	177	11.17-	■	
2.0 TDI 4motion (SZB, SZC, SZH, SZI, SZO, SZP, SZU, SZV) (DAVA)	PR 1LB	Diesel	4WD	1968	130	177	11.17-		■
2.0 TDI FWD (SZB, SZC, SZH, SZI, SZJ, SZK, SZO, SZP, SZS... (DAVA)	PR 1LA	Diesel	FWD	1968	130	177	11.16-	■	
2.0 TDI FWD (SZB, SZC, SZH, SZI, SZJ, SZK, SZO, SZP, SZS... (DAVA)	PR 1LB	Diesel	FWD	1968	130	177	11.16-		■
2.0 TDI RWD (SZB, SZC, SZD, SZO, SZP, SZQ, SZU, SZV) (DAWA)	PR 1LA	Diesel	RWD	1968	130	177	07.17-06.24	■	
2.0 TDI RWD (SZB, SZC, SZD, SZO, SZP, SZQ, SZU, SZV) (DAWA)	PR 1LB, for dual tyres	Diesel	RWD	1968	130	177	07.17-06.24		■
<b>CRAFTER II (SY_, SX_) 09.16-</b>						<b>Van (LCVs-N1 Segment)</b>			
e-Crafter FWD (SXB) (EBHA)	PR 1LA	Eléctrico	FWD		100	136	07.18-	■	
e-Crafter FWD (SXB) (EBHA)	PR 1LB	Eléctrico	FWD		100	136	07.18-		■
2.0 TDI FWD (SYB, SYC, SYD) (DAUB)	PR 1LA	Diesel	FWD	1968	75	102	09.16-06.24	■	
2.0 TDI FWD (SYB, SYC, SYD) (DAUB)	PR 1LB	Diesel	FWD	1968	75	102	09.16-06.24		■
2.0 TDI RWD (SYB, SYC, SYD) (DASC)	PR 1LA	Diesel	RWD	1968	80	109	05.17-06.24	■	
2.0 TDI RWD (SYB, SYC, SYD) (DASC)	PR 1LB, for dual tyres	Diesel	RWD	1968	80	109	05.17-06.24		■
2.0 TDI RWD (SYB, SYC, SYD) (DASA)	PR 1LA	Diesel	RWD	1968	90	122	08.17-12.21	■	

## LISTA DE APLICACIONES - BUYERS GUIDE

2.0 TDI RWD (SYB, SYC, SYD) (DASA)	PR 1LB, for dual tyres	Diesel	RWD	1968	90	122	08.17-12.21		■	
2.0 TDI 4motion (SYB, SYC, SYD) (DAUA)	PR 1LA	Diesel	4WD	1968	103	140	04.17-	■		
2.0 TDI 4motion (SYB, SYC, SYD) (DAUA)	PR 1LB	Diesel	4WD	1968	103	140	04.17-		■	
2.0 TDI FWD (SYB, SYC, SYD) (DAUA)	PR 1LA	Diesel	FWD	1968	103	140	09.16-	■		
2.0 TDI FWD (SYB, SYC, SYD) (DAUA)	PR 1LB	Diesel	FWD	1968	103	140	09.16-		■	
2.0 TDI RWD (SYB, SYC, SYD) (DASB)	PR 1LA	Diesel	RWD	1968	103	140	10.17-	■		
2.0 TDI RWD (SYB, SYC, SYD) (DASB)	PR 1LB, for dual tyres	Diesel	RWD	1968	103	140	10.17-		■	
2.0 TDI 4motion (SYB, SYC, SYD)	PR 1LB	Diesel	4WD	1968	120	163	11.22-		■	
2.0 TDI FWD (SYB, SYC, SYD)	PR 1LB	Diesel	FWD	1968	120	163	11.22-		■	
2.0 TDI RWD (SYB, SYC, SYD)	PR 1LB	Diesel	RWD	1968	120	163	03.23-		■	
2.0 TDI 4motion (SYB, SYC, SYD) (DAVA)	PR 1LA	Diesel	4WD	1968	130	177	03.17-	■		
2.0 TDI 4motion (SYB, SYC, SYD) (DAVA)	PR 1LB	Diesel	4WD	1968	130	177	03.17-		■	
2.0 TDI FWD (SYB, SYC, SYD) (DAVA)	PR 1LA	Diesel	FWD	1968	130	177	09.16-	■		
2.0 TDI FWD (SYB, SYC, SYD) (DAVA)	PR 1LB	Diesel	FWD	1968	130	177	09.16-		■	
2.0 TDI RWD (SYB, SYC, SYD) (DAWA)	PR 1LA	Diesel	RWD	1968	130	177	05.17-06.24	■		
2.0 TDI RWD (SYB, SYC, SYD) (DAWA)	PR 1LB, for dual tyres	Diesel	RWD	1968	130	177	05.17-06.24		■	
<b>GRAND CALIFORNIA Camper (SCB, SCC) 04.19-</b>						<b>Bus (Minibus-M2-Segment)</b>				
2.0 TDI 4motion	PR 1LB	Diesel	4WD	1968	103	140	04.19-		■	
2.0 TDI FWD	PR 1LB	Diesel	FWD	1968	103	140	04.19-		■	
2.0 TDI 4motion		Diesel	4WD	1968	120	163	10.24-			
2.0 TDI FWD		Diesel	FWD	1968	120	163	10.24-			
2.0 TDI 4motion (DAVA)	PR 1LA	Diesel	4WD	1968	130	177	04.19-	■		
2.0 TDI 4motion (DAVA)	PR 1LB	Diesel	4WD	1968	130	177	04.19-		■	
2.0 TDI FWD (DAVA)	PR 1LA	Diesel	FWD	1968	130	177	04.19-	■		
2.0 TDI FWD (DAVA)	PR 1LB	Diesel	FWD	1968	130	177	04.19-		■	