

# LISTA DE APLICACIONES - BUYERS GUIDE

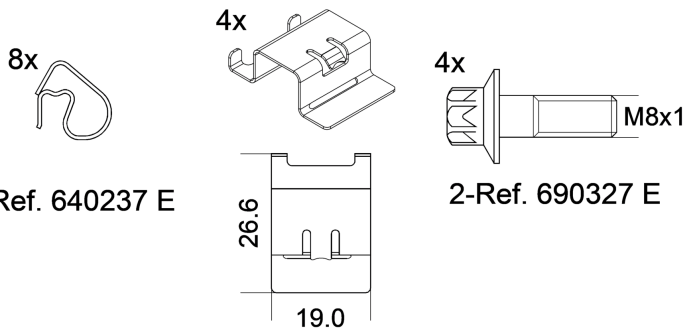
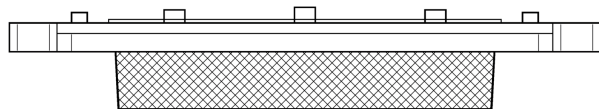
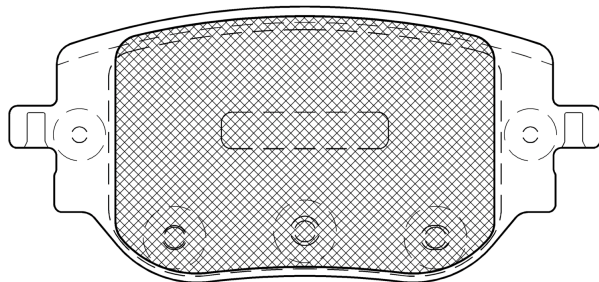
## 142415



Qty: 300

Weight: 1.255

O.E.M.	MAKE
16 73 597 480	VAUXHALL
SU001-B2799	TOYOTA



## 142415

**E 9** 90R-02A0111/5747



Chassis Brake Int. (Bosch)

113.3x52.9x17.2

WVA	MAKE
20625	CITROËN
	OPEL
	PEUGEOT
	TOYOTA
	VAUXHALL



Trac.	CC	Kw	CV



Front / Rear

### CITROËN

#### JUMPY III / DISPATCH (V\_) 04.16-

#### Bus (Minibus-M2-Segment)

Model	Disc	Fuel	Trac.	CC	Kw	CV	Period	Application
ë-JUMPY		Eléctrico	FWD		100	136	09.20-10.23	■
ë-JUMPY		Eléctrico	FWD		100	136	11.23-	■
1.5 BlueHDi 100 (YHR (DV5RUCD))	discØ 294, elec.brake detention	Diesel	FWD	1499	75	102	06.18-04.25	■
1.5 BlueHDi 120 (YHV (DV5RUC))	discØ 294, elec.brake detention	Diesel	FWD	1499	88	120	06.18-04.25	■
1.6 BlueHDi 95 (BHS (DV6FDU))	discØ 294, elec.brake detention	Diesel	FWD	1560	70	95	04.16-	■
1.6 BlueHDi 115 (BHX (DV6FCU))	discØ 294, elec.brake detention	Diesel	FWD	1560	85	116	04.16-06.22	■
2.0 BlueHDi 120 (AHK (DW10FE))	discØ 294, elec.brake detention	Diesel	FWD	1997	90	122	04.16-12.22	■
2.0 BlueHDi 150 (AHX (DW10FD))	discØ 294, elec.brake detention	Diesel	FWD	1997	110	150	04.16-12.22	■
2.0 BlueHDi 180 (AHH (DW10FC))	discØ 294, elec.brake detention	Diesel	FWD	1997	130	177	04.16-04.25	■

#### JUMPY III / DISPATCH (V\_) 09.16-

#### Platform/Chassis (LCVs-N1 Segment)

ë-JUMPY		Eléctrico	FWD		100	136	01.23-10.23	■
ë-JUMPY		Eléctrico	FWD		100	136	11.23-	■
1.6 BlueHDi 95 (BHS (DV6FDU))	discØ 294, elec.brake detention	Diesel	FWD	1560	70	95	09.16-04.20	■
1.6 BlueHDi 95 (BHV (DV6FDU))	discØ 294, elec.brake detention	Diesel	FWD	1560	70	95	09.16-04.20	■
2.0 BlueHDi 120 (AHK (DW10FE))	discØ 294, elec.brake detention	Diesel	FWD	1997	90	122	09.16-12.22	■
2.0 BlueHDi 145		Diesel	FWD	1997	106	144	01.23-04.25	■
2.0 BlueHDi 150 (AHX (DW10FD))	discØ 294, elec.brake detention	Diesel	FWD	1997	110	150	09.16-12.22	■

# LISTA DE APLICACIONES - BUYERS GUIDE

<b>JUMPY III / DISPATCH (V_) 04.16-</b>					<b>Van (LCVs-N1 Segment)</b>			
ë-JUMPY HYDROGEN		Hidró/elé c.	FWD		100	136	10.24-	■
ë-JUMPY (ZKX (ZK01))	discØ 294, elec.brake detention	Eléctrico	FWD		100	136	09.20-	■
ë-JUMPY		Eléctrico	FWD		100	136	11.23-	■
1.5 BlueHDi 100 (YHR (DV5RUCD))	discØ 294, elec.brake detention	Diesel	FWD	1499	75	102	06.18-04.25	■
1.5 BlueHDI 120 (YHV (DV5RUC))	discØ 294, elec.brake detention	Diesel	FWD	1499	88	120	06.18-	■
1.6 BlueHDi 90 (9HF (DV6DU))	discØ 294, elec.brake detention	Diesel	FWD	1560	66	90	09.18-	■
1.6 BlueHDi 95 (BHS (DV6FDU))	discØ 294, elec.brake detention	Diesel	FWD	1560	70	95	04.16-04.20	■
1.6 BlueHDi 95 (BHV (DV6FDU))	discØ 294, elec.brake detention	Diesel	FWD	1560	70	95	04.16-04.20	■
1.6 BlueHDi 115 (BHX (DV6FCU))	discØ 294, elec.brake detention	Diesel	FWD	1560	85	116	04.16-06.22	■
2.0 BlueHDi 120 (AHK (DW10FE))	discØ 294, elec.brake detention	Diesel	FWD	1997	90	122	04.16-12.22	■
2.0 BlueHDi 145	discØ 294, elec.brake detention	Diesel	FWD	1997	106	144	08.21-04.25	■
2.0 BlueHDi 150 (AHX (DW10FD))	discØ 294, elec.brake detention	Diesel	FWD	1997	110	150	04.16-12.22	■
2.0 BlueHDi 180 (AHH (DW10FC))	discØ 294, elec.brake detention	Diesel	FWD	1997	130	177	04.16-04.25	■
2.0 BlueHDi 180 (EHZ (DW10FDCU))	discØ 294, elec.brake detention	Diesel	FWD	1997	130	177	04.16-04.25	■
<b>SPACETOURER (V_) 04.16-</b>					<b>Bus (Minibus-M2-Segment)</b>			
ë-SPACETOURER (ZKX (ZK01))	discØ 294, elec.brake detention	Eléctrico	FWD		100	136	09.20-10.23	■
ë-SPACETOURER		Eléctrico	FWD		100	136	11.23-	■
1.5 BlueHDi 100 (YHR (DV5RUCD))	discØ 294, elec.brake detention	Diesel	FWD	1499	75	102	06.18-04.25	■
1.5 BlueHDI 120 (YHV (DV5RUC))	discØ 294, elec.brake detention	Diesel	FWD	1499	88	120	06.18-04.25	■
1.6 HDi 90 (9HF (DV6DU))	discØ 294, elec.brake detention	Diesel	FWD	1560	66	90	07.18-	■
1.6 BlueHDi 95 (BHS (DV6FDU))	discØ 294, elec.brake detention	Diesel	FWD	1560	70	95	04.16-04.19	■
1.6 BlueHDi 95 (BHV (DV6FDU))	discØ 294, elec.brake detention	Diesel	FWD	1560	70	95	04.16-04.19	■
1.6 BlueHDi 115 (BHX (DV6FCU))	discØ 294, elec.brake detention	Diesel	FWD	1560	85	116	04.16-04.19	■
2.0 BlueHDi 120 (AHK (DW10FE))	discØ 294, elec.brake detention	Diesel	FWD	1997	90	122	12.19-12.22	■
2.0 BlueHDi 145 (EHS (DW10FDDU370))	discØ 294, elec.brake detention	Diesel	FWD	1997	106	144	09.20-04.25	■
2.0 BlueHDi 145 (EHT (DW10FDDU340))	discØ 294, elec.brake detention	Diesel	FWD	1997	106	144	09.20-04.25	■
2.0 BlueHDi 150 (AHX (DW10FD))	discØ 294, elec.brake detention	Diesel	FWD	1997	110	150	04.16-12.22	■
2.0 BlueHDi 180 (AHH (DW10FC))	discØ 294, elec.brake detention	Diesel	FWD	1997	130	177	04.16-04.25	■
2.0 BlueHDi 180 (EHZ (DW10FDCU))	discØ 294, elec.brake detention	Diesel	FWD	1997	130	177	04.16-04.25	■
<b>OPEL</b>								
<b>VIVARO III (C) (K0) 03.19-</b>					<b>Bus (Minibus-M2-Segment)</b>			
VIVARO-E	discØ 294	Eléctrico	FWD		100	136	09.20-03.24	■
VIVARO-E		Eléctrico	FWD		100	136	04.24-	■
1.5 (D 15 DT (DV5RUCD))		Diesel	FWD	1499	75	102	03.19-04.25	■
1.5 (D 15 DTH (DV5RUC))		Diesel	FWD	1499	88	120	03.19-04.25	■
2.0 (D 20 DTL (DW10FE))		Diesel	FWD	1997	90	122	03.19-12.22	■
2.0		Diesel	FWD	1997	106	144	09.20-04.25	■

# LISTA DE APLICACIONES - BUYERS GUIDE

2.0 (D 20 DTH (DW10FD))		Diesel	FWD	1997	110	150	03.19-12.22	■	
2.0		Diesel	FWD	1997	130	177	12.22-04.25	■	
<b>VIVARO III (C) (K0) 03.19-</b>					<b>Platform/Chassis (LCVs-N1 Segment)</b>				
VIVARO-E	discØ 294	Eléctrico	FWD		100	136	09.20-03.24	■	
VIVARO-E		Eléctrico	FWD		100	136	04.24-	■	
2.0 (D 20 DTL (DW10FE))		Diesel	FWD	1997	90	122	03.19-12.22	■	
2.0		Diesel	FWD	1997	106	144	01.23-04.25	■	
2.0 (D 20 DTH (DW10FD))		Diesel	FWD	1997	110	150	03.19-12.22	■	
<b>VIVARO III (C) (K0) 03.19-</b>					<b>Van (LCVs-N1 Segment)</b>				
VIVARO-E HYDROGEN		Hidró/elé c.	FWD		100	136	08.22-09.24	■	
VIVARO-E HYDROGEN		Hidró/elé c.	FWD		100	136	10.24-	■	
VIVARO-E	discØ 294	Eléctrico	FWD		100	136	09.20-03.24	■	
VIVARO-E		Eléctrico	FWD		100	136	04.24-	■	
1.5 (D 15 DT (DV5RUCD))		Diesel	FWD	1499	75	102	03.19-04.25	■	
1.5 (D 15 DTH (DV5RUC))		Diesel	FWD	1499	88	120	03.19-	■	
2.0 (D 20 DTL (DW10FE))		Diesel	FWD	1997	90	122	03.19-12.22	■	
2.0		Diesel	FWD	1997	106	144	08.21-04.25	■	
2.0 (D 20 DTH (DW10FD))		Diesel	FWD	1997	110	150	03.19-12.22	■	
2.0 (D 20 DTR (DW10FDCU))		Diesel	FWD	1997	130	177	03.19-04.25	■	
<b>ZAFIRA LIFE (K0) 03.19-</b>					<b>Bus (Minibus-M2-Segment)</b>				
E LIFE (ZKX (ZK01))	discØ 294	Eléctrico	FWD		100	136	09.20-	■	
E LIFE		Eléctrico	FWD		100	136	04.24-	■	
1.5 (D 15 DT (DV5RUCD))		Diesel	FWD	1499	75	102	03.19-04.25	■	
1.5 (D 15 DTH (DV5RUC))		Diesel	FWD	1499	88	120	03.19-04.25	■	
2.0 (D 20 DTL (DW10FE))		Diesel	FWD	1997	90	122	08.19-12.22	■	
2.0		Diesel	FWD	1997	106	144	09.20-04.25	■	
2.0 (D 20 DTH (DW10FD))		Diesel	FWD	1997	110	150	03.19-12.22	■	
2.0 (D 20 DTR (DW10FDCU))		Diesel	FWD	1997	130	177	03.19-04.25	■	
<b>PEUGEOT</b>									
<b>EXPERT III (V_) 04.16-</b>					<b>Bus (Minibus-M2-Segment)</b>				
E-EXPERT	discØ 294, elec.brake detention	Eléctrico	FWD		100	136	09.20-10.23	■	
E-EXPERT		Eléctrico	FWD		100	136	11.23-	■	
2.0 BlueHDi 145		Diesel	FWD	1997	106	144	07.21-04.25	■	
<b>EXPERT III (V_) 09.16-</b>					<b>Platform/Chassis (LCVs-N1 Segment)</b>				
E-EXPERT (ZKX (ZK01))	discØ 294, elec.brake detention	Eléctrico	FWD		100	136	09.20-10.23	■	
E-EXPERT		Eléctrico	FWD		100	136	11.23-	■	
2.0 BlueHDi 145		Diesel	FWD	1997	106	144	01.23-04.25	■	
<b>EXPERT III (V_) 04.16-</b>					<b>Van (LCVs-N1 Segment)</b>				
E-EXPERT HYDROGEN		Hidró/elé c.	FWD		100	136	01.23-09.24	■	
E-EXPERT HYDROGEN		Hidró/elé c.	FWD		100	136	10.24-	■	
E-EXPERT (ZKX (ZK01))	discØ 294, elec.brake detention	Eléctrico	FWD		100	136	09.20-	■	
E-EXPERT		Eléctrico	FWD		100	136	11.23-	■	
2.0 BlueHDi 145	discØ 294, elec.brake detention	Diesel	FWD	1997	106	144	08.21-04.25	■	
<b>TRAVELLER (V_) 04.16-</b>					<b>Bus (Minibus-M2-Segment)</b>				
E-TRAVELLER (ZKX (ZK01))	discØ 294	Eléctrico	FWD		100	136	09.20-10.23	■	

# LISTA DE APLICACIONES - BUYERS GUIDE

## TOYOTA

<b>PROACE II (MPY_) 02.16-</b>					<b>Bus (Minibus-M2-Segment)</b>				
Electric (MPYS, MPYZ)	discØ 294	Eléctrico	FWD		100	136	01.21-12.23		■
Electric (MPYS, MPYZ)		Eléctrico	FWD		100	136	01.24-		■
1.5 D4d (MPY8) (5WZ-TV (DV5RUCD))	discØ 294, elec.brake detention	Diesel	FWD	1499	75	102	08.18-04.25		■
1.5 D4d (MPY1) (5WZ-HV (DV5RUC))	discØ 294, elec.brake detention	Diesel	FWD	1499	88	120	08.18-04.25		■
1.6 D4d (MPY9) (3WZ-TV)	discØ 294, elec.brake detention	Diesel	FWD	1560	70	95	02.16-04.20		■
1.6 D4d (MPY2) (3WZ-HV)	discØ 294, elec.brake detention	Diesel	FWD	1560	85	116	02.16-04.20		■
2.0 D4d (MPY3) (4WZ-FTV)	discØ 294, elec.brake detention	Diesel	FWD	1997	90	122	11.19-12.22		■
2.0 D4d (MPYA)	discØ 294, elec.brake detention	Diesel	FWD	1997	106	144	09.20-04.25		■
2.0 D4d (MPY4) (4WZ-FTV)	discØ 294, elec.brake detention	Diesel	FWD	1997	110	150	02.16-12.22		■
2.0 D4d (MPY6, MPY5) (4WZ-FHV)		Diesel	FWD	1997	130	177	02.16-04.25		■
<b>PROACE II (MDZ_) 02.16-</b>					<b>Platform/Chassis (LCVs-N1 Segment)</b>				
Electric (MDZS, MDZZ)		Eléctrico	FWD		100	136	04.21-12.23		■
Electric (MDZS, MDZZ)		Eléctrico	FWD		100	136	01.24-		■
1.6 D4d (MDZ9) (3WZ-TV)	discØ 294, elec.brake detention	Diesel	FWD	1560	70	95	02.16-12.19		■
2.0 D4d (MDZ3) (4WZ-FTV)	discØ 294, elec.brake detention	Diesel	FWD	1997	90	122	02.16-12.22		■
2.0 D4d (MDZA)		Diesel	FWD	1997	106	144	08.21-04.25		■
2.0 D4d (MDZ4) (4WZ-FTV)	discØ 294, elec.brake detention	Diesel	FWD	1997	110	150	02.16-12.22		■
<b>PROACE II (MDZ_) 02.16-</b>					<b>Van (LCVs-N1 Segment)</b>				
Electric (MDZS, MDZZ) (ZKX (ZK01))	discØ 294	Eléctrico	FWD		100	136	09.20-12.23		■
Electric (MDZS, MDZZ)		Eléctrico	FWD		100	136	01.24-		■
1.5 D4d (MDZ8) (5WZ-TV (DV5RUCD))	discØ 294, elec.brake detention	Diesel	FWD	1499	75	102	05.19-04.25		■
1.5 D4d (MDZ1) (5WZ-HV (DV5RUC))	discØ 294, elec.brake detention	Diesel	FWD	1499	88	120	05.19-		■
1.6 D4d (MDZ9) (3WZ-TV)	discØ 294, elec.brake detention	Diesel	FWD	1560	70	95	02.16-04.20		■
1.6 D4d (MDZ2) (3WZ-HV)	discØ 294, elec.brake detention	Diesel	FWD	1560	85	116	02.16-04.20		■
2.0 D4d (MDZ3) (4WZ-FTV)	discØ 294, elec.brake detention	Diesel	FWD	1997	90	122	02.16-12.22		■
2.0 D4d (MDZA)	discØ 294, elec.brake detention	Diesel	FWD	1997	106	144	08.21-04.25		■
2.0 D4d (MDZ4) (4WZ-FTV)	discØ 294, elec.brake detention	Diesel	FWD	1997	110	150	02.16-12.22		■
2.0 D4d (MDZ6, MDZ5) (4WZ-FHV)	discØ 294, elec.brake detention	Diesel	FWD	1997	130	177	02.16-04.25		■
<b>PROACE II VERSO (MPY_) 02.16-</b>					<b>Bus (Minibus-M2-Segment)</b>				
Electric (MPYS, MPYZ)	discØ 294	Eléctrico	FWD		100	136	01.21-12.23		■
Electric (MPYS, MPYZ)		Eléctrico	FWD		100	136	01.24-		■
1.5 D4d (MPY8) (5WZ-TV (DV5RUCD))	discØ 294, elec.brake detention	Diesel	FWD	1499	75	102	06.18-04.25		■
1.5 D4d (MPY1) (5WZ-HV (DV5RUC))	discØ 294, elec.brake detention	Diesel	FWD	1499	88	120	06.18-04.25		■
1.6 D4d (MPY9) (3WZ-TV)	discØ 294, elec.brake detention	Diesel	FWD	1560	70	95	02.16-12.19		■
1.6 D4d (MPY2) (3WZ-HV)	discØ 294, elec.brake detention	Diesel	FWD	1560	85	116	02.16-04.20		■
2.0 D4d (MPY3) (4WZ-FTV)	discØ 294, elec.brake detention	Diesel	FWD	1997	90	122	11.19-12.22		■
2.0 D4d (MPYA)	discØ 294, elec.brake detention	Diesel	FWD	1997	106	144	09.20-04.25		■

# LISTA DE APLICACIONES - BUYERS GUIDE

2.0 D4d (MPY4) (4WZ-FTV)	discØ 294, elec.brake detention	Diesel	FWD	1997	110	150	02.16-12.22	■
2.0 D4d (MPY6, MPY5) (4WZ-FHV)	discØ 294, elec.brake detention	Diesel	FWD	1997	130	177	02.16-04.25	■
<b>VAUXHALL</b>								
<b>VIVARO III (C) (K0) 03.19-</b>						<b>Platform/Chassis (LCVs-N1 Segment)</b>		
VIVARO-E		Eléctrico	FWD		100	136	04.23-03.24	■
2.0 (D 20 DTL (DW10FE))		Diesel	FWD	1997	90	122	03.19-03.23	■
2.0		Diesel	FWD	1997	106	144	04.23-05.25	■
<b>VIVARO III (C) (K0) 03.19-</b>						<b>Van (LCVs-N1 Segment)</b>		
VIVARO-E	discØ 294	Eléctrico	FWD		100	136	09.20-03.24	■
1.5 (D 15 DT (DV5RUCD))		Diesel	FWD	1499	75	102	03.19-05.25	■
1.5 (D 15 DTH (DV5RUC))		Diesel	FWD	1499	88	120	03.19-	■
2.0 (D 20 DTL (DW10FE))		Diesel	FWD	1997	90	122	03.19-04.22	■
2.0		Diesel	FWD	1997	106	144	08.21-05.25	■
2.0 (D 20 DTH (DW10FD))		Diesel	FWD	1997	110	150	03.19-09.21	■
2.0 (D 20 DTR (DW10FDCU))		Diesel	FWD	1997	130	177	03.19-05.25	■
<b>VIVARO LIFE (K0) 03.19-</b>						<b>Bus (Minibus-M2-Segment)</b>		
E LIFE (ZKX (ZK01))	discØ 294	Eléctrico	FWD		100	136	09.20-07.24	■
1.5 (D 15 DT (DV5RUCD))		Diesel	FWD	1499	75	102	03.19-09.22	■
1.5 (D 15 DTH (DV5RUC))		Diesel	FWD	1499	88	120	03.19-09.22	■
2.0		Diesel	FWD	1997	106	144	09.20-09.22	■
2.0 (D 20 DTH (DW10FD))		Diesel	FWD	1997	110	150	03.19-09.21	■
2.0 (D 20 DTR (DW10FDCU))		Diesel	FWD	1997	130	177	03.19-09.22	■