

LISTA DE APLICACIONES - BUYERS GUIDE

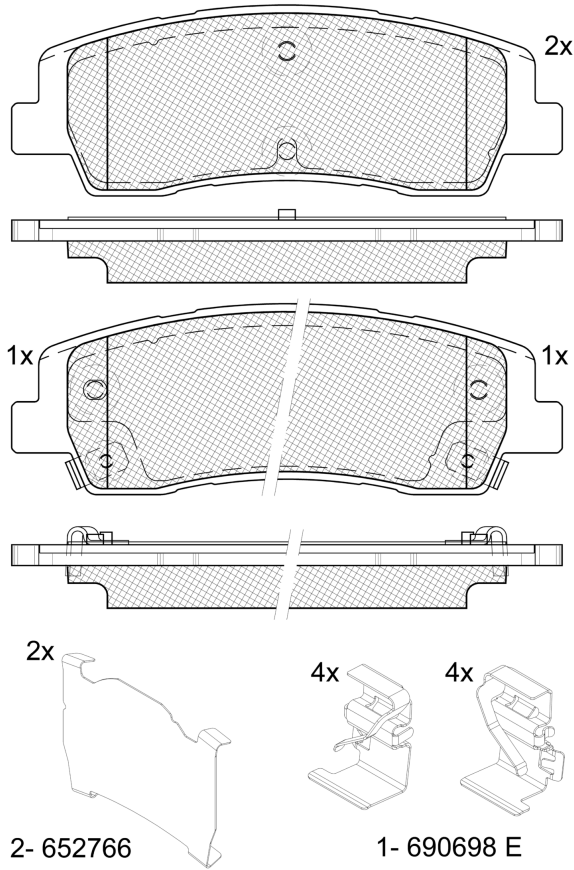
142509



Qty: 300

Weight: 1.210

O.E.M.	MAKE
58302-CGA00	HYUNDAI
58302-CGA70	HYUNDAI



142509

E 9 90R-02A0111/6027



Mobis

132.1x45.8x15.7

WVA	FMSI
26794	D2624-9848
26795	
26796	
MAKE	
HYUNDAI	



Trac.	CC	Kw	CV
-------	----	----	----



HYUNDAI

STARIA (US4) 01.21-

Bus (Minibus-M2-Segment)

LPI		LPG	FWD	3470	177	240	05.21-	■
3.5 MPi (US4W)		Gasolina	FWD	3470	200	272	01.21-	■
2.2 CRDi (US4W)	elec.brake detention, not elec.brak.detent	Diesel	FWD	2199	130	177	01.21-	■
2.2 CRDi AWD (US4W)	elec.brake detention, not elec.brak.detent	Diesel	4WD	2199	130	177	01.21-	■

STARIA (US4) 01.21-

Van (LCVs-N1 Segment)

2.2 CRDi (US4V)	elec.brake detention, not elec.brak.detent	Diesel	FWD	2199	130	177	01.21-	■
-----------------	--	--------	-----	------	-----	-----	--------	---