

LISTA DE APLICACIONES - BUYERS GUIDE

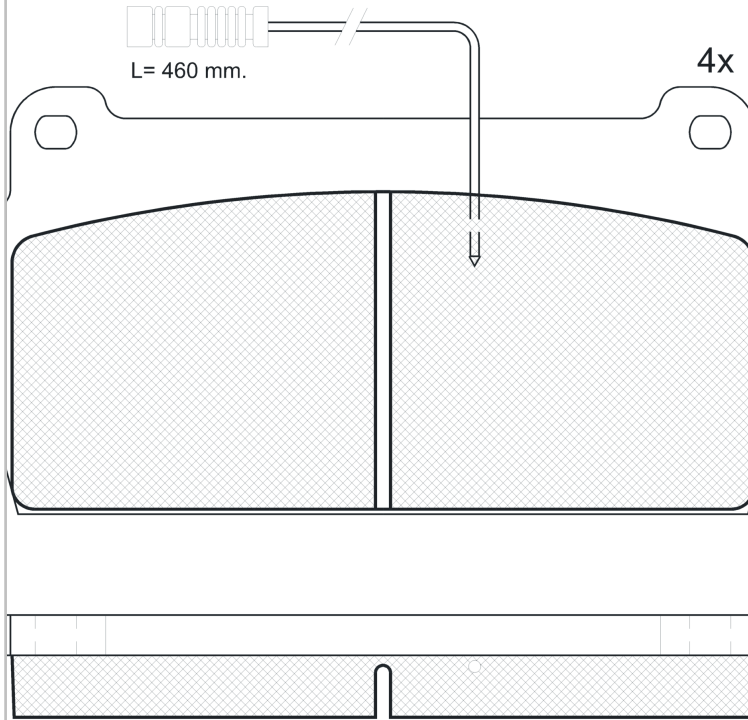
150666



Qty: 650

Weight: 3.895

O.E.M.	MAKE
001 420 91 20	MERCEDES-BENZ
002 420 14 20	MERCEDES-BENZ



150666



Ate - Teves

149.9x81.6x20.3

WVA
29765

MAKE
MERCEDES-BENZ

HASTA FIN DE EXISTENCIAS
UNTIL EXISTING STOCK RUNS OUT



Trac.	CC	Kw	CV
-------	----	----	----



Front / Rear

MERCEDES-BENZ

UNIMOG 01.55-

Model	Year	Fuel	Trac.	CC	Kw	CV	Platform/Chassis	
U 110	01/73-	Diesel					01.55-	■
U 110	01/98-	Diesel					01.55-	■
U 1100	01/73-	Diesel					01.55-	■
U 1100	01/98-	Diesel					01.55-	■
U 140	01/73-	Diesel					01.55-	■
U 140	01/98-	Diesel					01.55-	■
U 1600	01/73-	Diesel					01.55-	■
U 1600	01/98-	Diesel					01.55-	■
U 600	01/73-	Diesel					01.55-	■
U 600	01/98-	Diesel					01.55-	■
U 650	01/98-	Diesel					01.55-	■
U 650, 650L	01/73-	Diesel					01.55-	■
U 90	01/73-	Diesel					01.55-	■
U 90	01/98-	Diesel					01.55-	■

UNIMOG 01.55-

Platform/Chassis

U 5000 (OM 924.916)		Diesel		4801	160	218	09.02-	■
U 5000 (OM 924.923)		Diesel		4801	160	218	09.02-	■
U 1250 (OM 353.973)	AxCon 747420/747421	Diesel		5675	92	125	12.84-05.88	■
U 1250 (OM 353.995)	AxCon 747420/747421	Diesel		5675	92	125	12.84-05.88	■
U 1300 (OM 353.973)		Diesel		5675	92	125	01.77-12.84	■
U 1300 (OM 353.995)		Diesel		5675	92	125	01.77-12.84	■
U 1300,U 1300L (OM 353.961)	AxCon 747420/747421	Diesel		5675	92	125	01.77-05.88	■
U 1300,U 1300L (OM 353.973)	AxCon 747420/747421	Diesel		5675	92	125	01.77-05.88	■

LISTA DE APLICACIONES - BUYERS GUIDE

U 1550L (OM 353.961)	AxCon 747420/747421	Diesel	5675	92	125	02.86-05.88
U 1550L (OM 353.995)	AxCon 747420/747421	Diesel	5675	92	125	02.86-05.88
U 1500 (OM 353.958)		Diesel	5675	110	150	01.77-05.88
U 1550 (OM 353.958)	AxCon 747420/747421	Diesel	5675	110	150	01.86-05.88
U 1700L (OM 353.959)		Diesel	5675	124	169	05.78-09.88
U 1550L (OM 356.955)	AxCon 747427	Diesel	5958	114	155	01.92-
U 1550L (OM 356.956)	AxCon 747427	Diesel	5958	114	155	01.92-
U 1600 (OM 356.956)	AxCon 747424	Diesel	5958	115	156	01.88-
U 1600 (OM 366.949)	AxCon 747424	Diesel	5958	115	156	01.88-
U 1650,U 1650L (OM 356.956)	AxCon 747423/747431	Diesel	5958	115	156	01.88-
U 1650,U 1650L (OM 366.948)	AxCon 747423/747431	Diesel	5958	115	156	01.88-
U 1650,U 1650L (OM 366.949)	AxCon 747423/747431	Diesel	5958	115	156	01.88-
U 1700,U 1700L (OM 356.957)		Diesel	5958	122	166	09.88-
U 1700,U 1700L (OM 366.963)		Diesel	5958	122	166	09.88-
U 1700,U 1700L (OM 382.950)		Diesel	5958	122	166	09.88-
U 1750,U 1750L (OM 356.957)		Diesel	5958	122	166	09.88-
U 1750,U 1750L (OM 356.981)		Diesel	5958	122	166	09.88-
U 1750,U 1750L (OM 366.963)		Diesel	5958	122	166	09.88-
U 1750,U 1750L (OM 356.957)		Diesel	5958	122	166	09.88-
U 1750,U 1750L (OM 356.981)		Diesel	5958	122	166	09.88-
U 1750,U 1750L (OM 366.963)		Diesel	5958	122	166	09.88-
U 1550L (OM 366.963)	AxCon 747427	Diesel	5958	125	170	01.92-
U 1800 (OM 356.998)		Diesel	5958	132	180	04.92-
U 1850,U 1850L (OM 356.998)		Diesel	5958	132	180	04.92-
U 1600 (OM 356.997)		Diesel	5958	150	204	09.89-
U 1600 (OM 357.924)		Diesel	5958	150	204	09.89-
U 1600 (OM 366.984)		Diesel	5958	150	204	09.89-
U 1650,U 1650L (OM 356.997)		Diesel	5958	150	204	09.89-
U 1650,U 1650L (OM 357.924)		Diesel	5958	150	204	09.89-
U 1650,U 1650L (OM 366.984)		Diesel	5958	150	204	09.89-
U 2100 (OM 356.997)		Diesel	5958	155	211	09.89-
U 2100 (OM 366.984)		Diesel	5958	155	211	09.89-
U 2100		Diesel	5958	155	211	09.88-07.08
U 2150 (OM 356.997)		Diesel	5958	155	211	09.89-
U 2150 (OM 366.984)		Diesel	5958	155	211	09.89-
U 2150,U 2150L (OM 356.997)		Diesel	5958	155	211	09.89-
U 2150,U 2150L (OM 357.924)		Diesel	5958	155	211	09.89-
U 2150,U 2150L (OM 366.984)		Diesel	5958	155	211	09.89-
U 1600 (OM 356.980)	AxCon 747430	Diesel	5958	177	241	05.91-
U 1600 (OM 357.945)	AxCon 747430	Diesel	5958	177	241	05.91-
U 1650,U 1650L (OM 356.980)	AxCon 747431	Diesel	5958	177	241	05.91-
U 1650,U 1650L (OM 357.945)	AxCon 747431	Diesel	5958	177	241	05.91-
U 2150,U 2150L (OM 356.980)		Diesel	5958	177	241	09.89-
U 2150,U 2150L (OM 357.945)		Diesel	5958	177	241	09.89-
U 2400 (OM 356.980)		Diesel	5958	177	241	05.91-
U 2400 (OM 357.945)		Diesel	5958	177	241	05.91-
U 2450,U 2450L (OM 356.980)		Diesel	5958	177	241	05.91-
U 2450,U 2450L (OM 357.945)		Diesel	5958	177	241	05.91-
U 2450L (OM 356.980)		Diesel	5958	177	241	07.93-
U 2450L (OM 357.945)		Diesel	5958	177	241	07.93-
U 5000 (OM 906.935)		Diesel	6374	170	231	11.02-

LISTA DE APLICACIONES - BUYERS GUIDE