


LISTA DE APLICACIONES - BUYERS GUIDE

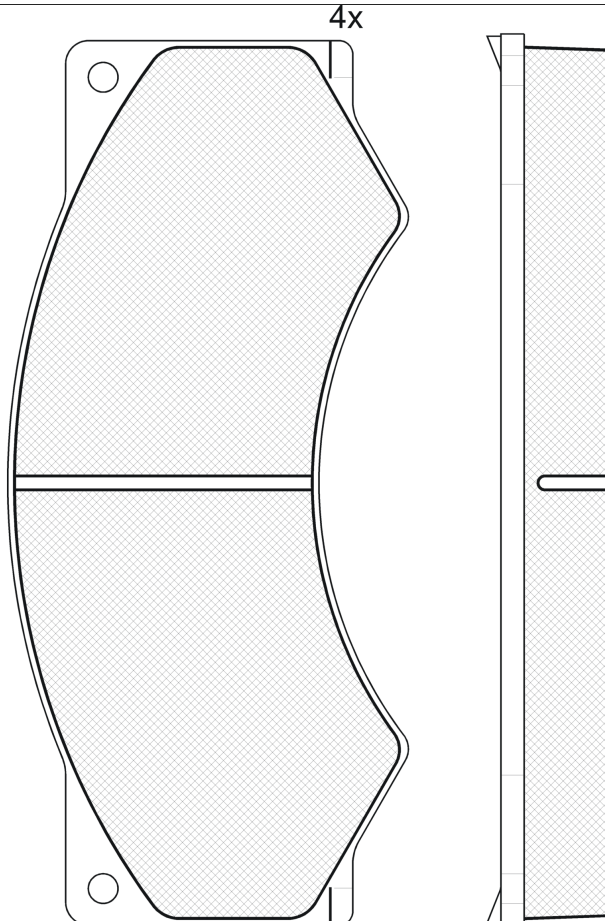
150764



8 424073 017840


Qty: 660 Weight: 3.930

O.E.M.	MAKE
190 6345	IVECO
BBU 8177	LEYLAND



150764

E 9 **90R-01178/700**





Perrot 450 F-O

190.8x86.85x23

WVA
29017
MAKE
AVIA
DAF
IVECO
LEYLAND



Trac.	CC	Kw	CV				
						Front / Rear	

AVIA

D-Line 07.00-				Platform/Chassis				
D 100 (ISBE 150)	Diesel		3922	110	150	10.01-	■	
D 120 (ISBE 150)	Diesel		3922	110	150	10.01-	■	
D 60 (ISBE 150)	Diesel		3922	110	150	10.01-	■	
D 75 (ISBE 150)	Diesel		3922	110	150	10.01-	■	
D 90 (ISBE 150)	Diesel		3922	110	150	10.01-	■	
D 100 (ISBE 170)	Diesel		3922	125	170	10.01-	■	
D 120 (ISBE 170)	Diesel		3922	125	170	10.01-	■	
D 60 (ISBE 170)	Diesel		3922	125	170	10.01-	■	
D 75 (ISBE 170)	Diesel		3922	125	170	10.01-	■	
D 90 (ISBE 170)	Diesel		3922	125	170	10.01-	■	

D-Line 07.00-				Truck Tractor				
D 75 T (ISBE 150)	Diesel		3922	110	150	10.01-	■	
D 75 T (ISBE 170)	Diesel		3922	125	170	10.01-	■	

DAF

45 01.91-12.00				Platform/Chassis				
FA 45.120-035 (CD 85)	Diesel		5880	85	116	05.91-12.00	■	
FA 45.120-06 (CD 85)	Diesel		5880	85	116	05.91-12.00	■	
FA 45.130 B08,FA 45.130 C08 (CN 96)	Diesel		5880	96	131	05.91-12.00	■	
FA 45.130 B08,FA 45.130 C08 (CS 97 M)	Diesel		5880	96	131	05.91-12.00	■	
FA 45.130 B08,FA 45.130 C08 (CT 97)	Diesel		5880	96	131	05.91-12.00	■	
FA 45.130 B06,FA 45.130 C06 (CS 97 M)	Diesel		5880	97	132	05.91-12.00	■	
FA 45.130 B06,FA 45.130 C06 (CT 97)	Diesel		5880	97	132	05.91-12.00	■	

LISTA DE APLICACIONES - BUYERS GUIDE

FA 45.150-10,FA 45.150 B10 (CB 108)		Diesel		5880	107	146	05.91-12.00	■
FA 45.150-10,FA 45.150 B10 (CS 107 M)		Diesel		5880	107	146	05.91-12.00	■
FA 45.150 B08,FA 45.150 C08 (CB 108)		Diesel		5880	107	146	05.91-12.00	■
FA 45.150 B08,FA 45.150 C08 (CS 107 M)		Diesel		5880	107	146	05.91-12.00	■
FA 45.150 B08,FA 45.150 C08 (CT 108)		Diesel		5880	107	146	05.91-12.00	■
FA 45.150 B11,FA 45.150 C11 (CB 108)		Diesel		5880	107	146	05.91-12.00	■
FA 45.150 B11,FA 45.150 C11 (CS 107 M)		Diesel		5880	107	146	05.91-12.00	■
FA 45.150 B11,FA 45.150 C11 (CT 108)		Diesel		5880	107	146	05.91-12.00	■
FA 45.150 C09 (CT 108)		Diesel		5880	108	147	05.91-12.00	■
FA 45.160 -10 (CT 119)		Diesel		5880	119	162	05.91-12.00	■
FA 45.160 C08 (CS 119)		Diesel		5880	119	162	05.91-12.00	■
FA 45.160 C08 (CT 119)		Diesel		5880	119	162	05.91-12.00	■
FA 45.160 C09 (CS 119)		Diesel		5880	119	162	05.91-12.00	■
FA 45.160 C11 (CS 119)		Diesel		5880	119	162	05.91-12.00	■
FA 45.160 C11 (CT 119)		Diesel		5880	119	162	05.91-12.00	■
FA45		Diesel		5880	133	181	05.91-09.96	■
FA45		Diesel		5880	133	181	05.91-09.96	■
FA 45.180 B08 (CS 133 M)		Diesel		5880	133	181	05.95-12.00	■
FA 45.180 B10 (CS 133 M)		Diesel		5880	133	181	05.95-12.00	■
FA 45.180 B11 (CS 133 M)		Diesel		5880	133	181	05.95-12.00	■
FA 45.210 B11 (CS 158 M)		Diesel		5880	158	215	05.95-12.00	■
F 1000				Platform/Chassis				
FA 1000 CN (CN 96)	01/87-	Diesel		5880	96	131	12.86-12.92	■
FA 1000 CB (CB 108)		Diesel		5880	108	147	05.87-12.92	■
F 600				Platform/Chassis				
FA 600 CD (CD 85)		Diesel		5880	85	116	12.86-12.92	■
FA 600 CD (CD 85)		Diesel		5880	85	116	12.86-12.92	■
F 800				Platform/Chassis				
FA 800 CB (CB 108)		Diesel		5880	108	147	05.87-08.91	■
IVECO								
Zeta 01.79-12.92				Dump Truck				
79-10 H (8340.04.200)		Diesel		4570	74	101	01.83-01.87	■
79-10 H (8340.04.300)		Diesel		4570	74	101	01.83-01.87	■
79-10 H (8340.04.200)		Diesel		4570	74	101	01.83-01.87	■
79-10 H (8340.04.300)		Diesel		4570	74	101	01.83-01.87	■
79-14 H (8060.04.660)		Diesel		5500	99	135	01.83-11.85	■
79-14 H (8060.04.660)		Diesel		5500	99	135	01.83-11.85	■
Zeta 01.79-12.92				Estate Van				
79-10 V (8340.04.200)		Diesel		4570	74	101	01.83-01.87	■
79-10 V (8340.04.300)		Diesel		4570	74	101	01.83-01.87	■
79-10 V (8340.04.200)		Diesel		4570	74	101	01.83-01.87	■
79-10 V (8340.04.300)		Diesel		4570	74	101	01.83-01.87	■
79-14 V (8060.04.660)		Diesel		5500	99	135	01.83-11.85	■
79-14 V (8060.04.660)		Diesel		5500	99	135	01.83-11.85	■
Zeta 01.79-12.92				Platform/Chassis				
79-10 (8340.04.200)		Diesel		4570	74	101	01.83-01.87	■
79-10 (8340.04.300)		Diesel		4570	74	101	01.83-01.87	■
79-10 (8340.04.200)		Diesel		4570	74	101	01.83-01.87	■
79-10 (8340.04.300)		Diesel		4570	74	101	01.83-01.87	■

LISTA DE APLICACIONES - BUYERS GUIDE

79-14 (8060.04.660)		Diesel		5500	99	135	01.83-11.85	■
79-14 (8060.04.660)		Diesel		5500	99	135	01.83-11.85	■

LEYLAND

ROADRUNNER 01.86-

10.12, 10.13, 10.15	01/86-	Diesel					01.86-	■
---------------------	--------	--------	--	--	--	--	--------	---