

LISTA DE APLICACIONES - BUYERS GUIDE

150894-066

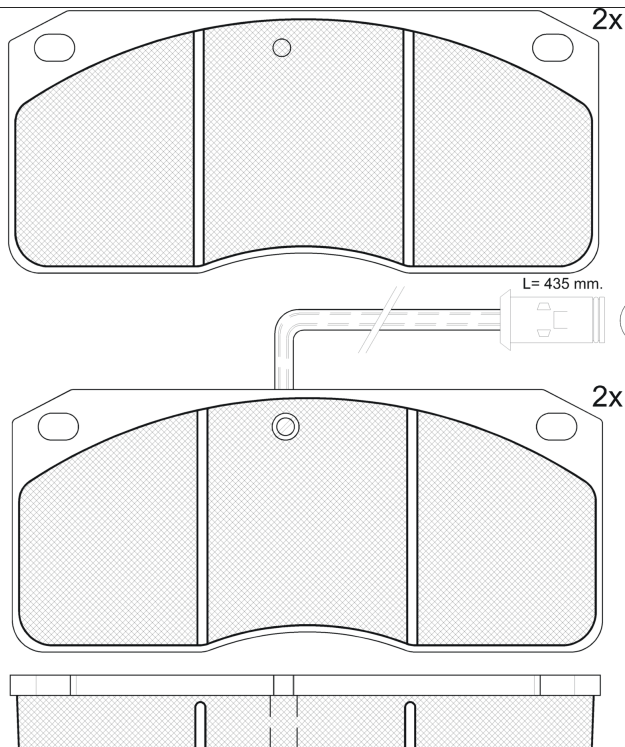


8 424073 081179

Qty: 650

Weight:

O.E.M.	MAKE
190 6297	IVECO



4x **150894-066**



4x

1 - Ref. 690115 E

150894-066



E 9 90R-01179/697

Lucas-Girling B-FRAME

175.5x78x22

WVA
21302
29033
29302

MAKE
IVECO



Trac.	CC	Kw	CV
-------	----	----	----



Front / Rear

IVECO

							Municipal Vehicle		
10.00-07.07									
100 E 21 tector (F4AE0681D)		Diesel		5883	154	209	09.00-07.07	■	■
100E21W		Diesel		5883	154	209	10.00-07.07	■	■
100 E 25 W tector (F4AE3681D)		Diesel		5883	185	251	05.06-07.07	■	■
							Dump Truck		
EuroCargo I-III 01.91-09.15									
100 E 15 K (8060.25R.4200 LTC)		Diesel		5861	105	143	01.91-09.15	■	■
80 E 15 K (8060.25R.4200 LTC)		Diesel		5861	105	143	01.91-09.15	■	■
80 E 15 K (8060.25R.4200 LTC)		Diesel		5861	105	143	01.91-09.15	■	■
100 E 18 K (8060.25V.4000)		Diesel		5861	130	177	01.91-09.15	■	■
80 E 18 K (8060.25V.4000)		Diesel		5861	130	177	01.91-09.15	■	■
80 E 18 K (8060.25V.4000)		Diesel		5861	130	177	01.91-09.15	■	■
							Platform/Chassis		
EuroCargo I-III 01.91-09.15									
100 E 15, 100 E 15 P (8060.25R.4200 LTC)		Diesel		5861	105	143	01.91-09.15	■	■
100 E 15, 100 E 15 P (8060.45R.5000)		Diesel		5861	105	143	01.91-09.15	■	■
100 E 15, 100 E 15 P (8060.45R.5001)		Diesel		5861	105	143	01.91-09.15	■	■
100 E 15, 100 E 15 P (8060.45R.5003)		Diesel		5861	105	143	01.91-09.15	■	■
100 E 15, 100 E 15 P (8060.45R.5005)		Diesel		5861	105	143	01.91-09.15	■	■
80 E 15, 80 E 15 P (8060.25R.4200 LTC)		Diesel		5861	105	143	01.91-09.15	■	■
100 E 18, 100 E 18 P (8060.25V.4000)		Diesel		5861	130	177	01.91-09.15	■	■
80 E 18, 80 E 18 P, 18 E 80 FP (8060.25V.4000)		Diesel		5861	130	177	01.91-09.15	■	■
80 E 18, 80 E 18 P, 18 E 80 FP (8060.25V.4000)		Diesel		5861	130	177	01.91-09.15	■	■
100 E 21, 100 E 21 P (8060.45.4100 TCA)		Diesel		5861	152	207	01.91-09.15	■	■

LISTA DE APLICACIONES - BUYERS GUIDE

100 E 21, 100 E 21 P (8060.45.4180)	Diesel		5861	152	207	01.91-09.15	■	■	
80 E 21, 80 E 21 P, 21 E 80 FP (8060.45.4100 TCA)	Diesel		5861	152	207	01.91-09.15	■	■	
80 E 21, 80 E 21 P, 21 E 80 FP (8060.45.4180)	Diesel		5861	152	207	01.91-09.15	■	■	
80E21, 80E21P, 80E21FP, 80EL21, 80EL21P (8060.45.4100 TCA)	Diesel		5861	152	207	01.91-09.15	■	■	
80E21, 80E21P, 80E21FP, 80EL21, 80EL21P (8060.45.4180)	Diesel		5861	152	207	01.91-09.15	■	■	
EuroCargo I-III 01.91-09.15							Truck Tractor		
180 E 21 T (8060.45.4100 TCA)	Diesel		5861	152	207	01.91-09.15	■	■	
EuroFire 01.91-							Municipal Vehicle		
75 E 14 (8040.45)	Diesel		3908	100	136	01.91-09.00	■	■	
95 E 18 W (8060.45B)	Diesel		5861	130	177	01.93-09.00	■	■	
Zeta 01.79-12.92							Bus		
A 60-10 (8340.04.040)	Diesel		4570	73	99	11.79-06.88	■	■	
Zeta 01.79-12.92							Dump Truck		
50-8 H (8040.04.200)	Diesel		3666	63	86	01.83-12.86	■	■	
50-9 H (8040.05.230)	Diesel		3908	65	88	01.87-03.91	■	■	
50-10H (8340.04.200)	Diesel		4570	74	101	01.79-12.86	■	■	
50-10H (8340.04.250)	Diesel		4570	74	101	01.79-12.86	■	■	
50-10H (8340.04.300)	Diesel		4570	74	101	01.79-12.86	■	■	
50-10H (8340.04.362)	Diesel		4570	74	101	01.79-12.86	■	■	
60-10H (8340.04.200)	Diesel		4570	74	101	11.79-12.86	■	■	
60-10H (8340.04.250)	Diesel		4570	74	101	11.79-12.86	■	■	
65-10H (8340.04.200)	Diesel		4570	74	101	11.79-01.87	■	■	
65-10H (8340.04.250)	Diesel		4570	74	101	11.79-01.87	■	■	
65-10H (8340.04.300)	Diesel		4570	74	101	11.79-01.87	■	■	
65-10H (8340.04.350)	Diesel		4570	74	101	11.79-01.87	■	■	
79-13 (8060.04.060)	Diesel		5500	96	131	11.79-12.83	■	■	
79-13 (8060.04.660)	Diesel		5500	96	131	11.79-12.83	■	■	
109-14 H (8060.04.689)	Diesel		5500	99	135	06.83-12.85	■	■	
95-14 H (8060.04.669)	Diesel		5500	99	135	07.83-10.85	■	■	
Zeta 01.79-12.92							Estate Van		
50-8 V (8040.04.200)	Diesel		3666	63	86	01.83-12.86	■	■	
60-8 (8040.04.200)	Diesel		3666	63	86	11.79-12.82	■	■	
50-9 V (8040.05.230)	Diesel		3908	65	88	01.87-03.91	■	■	
50-10V (8340.04.200)	Diesel		4570	74	101	01.79-12.86	■	■	
50-10V (8340.04.250)	Diesel		4570	74	101	01.79-12.86	■	■	
50-10V (8340.04.300)	Diesel		4570	74	101	01.79-12.86	■	■	
50-10V (8340.04.362)	Diesel		4570	74	101	01.79-12.86	■	■	
60-10V (8340.04.200)	Diesel		4570	74	101	11.79-12.86	■	■	
60-10V (8340.04.250)	Diesel		4570	74	101	11.79-12.86	■	■	
65-10V (8340.04.200)	Diesel		4570	74	101	11.79-01.87	■	■	
65-10V (8340.04.250)	Diesel		4570	74	101	11.79-01.87	■	■	
65-10V (8340.04.300)	Diesel		4570	74	101	11.79-01.87	■	■	
65-10V (8340.04.350)	Diesel		4570	74	101	11.79-01.87	■	■	
79-13 (8060.04.060)	Diesel		5500	96	131	11.79-12.83	■	■	
79-13 (8060.04.660)	Diesel		5500	96	131	11.79-12.83	■	■	
Zeta 01.79-12.92							Platform/Chassis		
50-8 (8040.04.200)	Diesel		3666	63	86	01.83-12.86	■	■	
60-8 (8040.04.200)	Diesel		3666	63	86	11.79-12.83	■	■	

LISTA DE APLICACIONES - BUYERS GUIDE

50-9 (8040.05.230)		Diesel		3908	65	88	01.87-03.91	■	■
50-10 (8340.04.200)		Diesel		4570	74	101	01.79-12.86	■	■
50-10 (8340.04.250)		Diesel		4570	74	101	01.79-12.86	■	■
50-10 (8340.04.300)		Diesel		4570	74	101	01.79-12.86	■	■
50-10 (8340.04.362)		Diesel		4570	74	101	01.79-12.86	■	■
60-10 (8340.04.200)		Diesel		4570	74	101	11.79-12.86	■	■
60-10 (8340.04.250)		Diesel		4570	74	101	11.79-12.86	■	■
65-10 (8340.04.200)		Diesel		4570	74	101	11.79-01.87	■	■
65-10 (8340.04.250)		Diesel		4570	74	101	11.79-01.87	■	■
65-10 (8340.04.300)		Diesel		4570	74	101	11.79-01.87	■	■
65-10 (8340.04.350)		Diesel		4570	74	101	11.79-01.87	■	■
79-13 (8060.04.060)		Diesel		5500	96	131	11.79-12.83	■	■
79-13 (8060.04.660)		Diesel		5500	96	131	11.79-12.83	■	■
109-14 (8060.04.689)		Diesel		5500	99	135	06.83-12.85	■	■
95-14 (8060.04.669)		Diesel		5500	99	135	07.83-10.85	■	■