

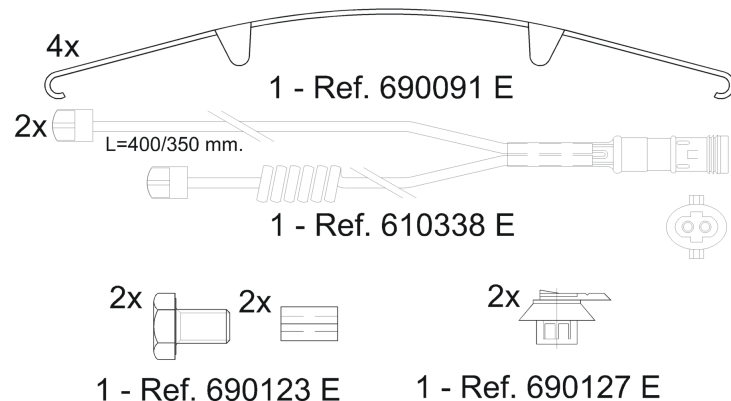
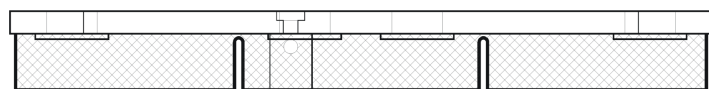
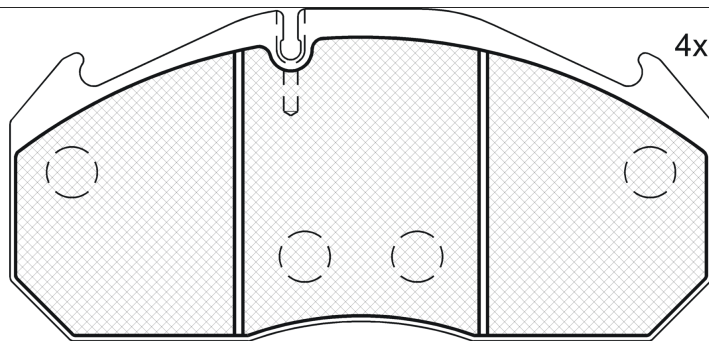
LISTA DE APLICACIONES - BUYERS GUIDE

151040-127



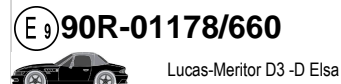
Qty: 660

Weight: 10.960



| O.E.M. | MAKE |
|---------------|------|
| 81 50820 5006 | MAN |
| 81 50820 5020 | MAN |
| 81 50820 5040 | MAN |
| 81 50820 5047 | MAN |
| 81 50820 5064 | MAN |
| 81 50820 6000 | MAN |
| 81 50820 6002 | MAN |
| 81 50820 6004 | MAN |
| 81 50820 6014 | MAN |
| 81 50820 6016 | MAN |

151040-127



Lucas-Meritor D3 -D Elsa

249.6x118.2x28

| WVA |
|----------------|
| 29113 |
| MAKE |
| MAN |
| RENAULT TRUCKS |
| SETRA |
| VAN HOOL |



| Trac. | CC | Kw | CV |
|-------|----|----|----|
|-------|----|----|----|



Front / Rear

MAN

| | | | | | | | | Dump Truck | |
|---|--|--------|--|-------|-----|-----|--------|------------------|---|
| E2000 08.97- | | | | | | | | | |
| 19.310 FLK (D 2866 LF23) | | Diesel | | 11967 | 228 | 310 | 05.00- | ■ | ■ |
| 26.310 FAVLK (D 2866 LF23) | | Diesel | | 11967 | 228 | 310 | 05.00- | ■ | ■ |
| 19.360 FLK (D 2866 LF24) | | Diesel | | 11967 | 265 | 360 | 05.00- | ■ | ■ |
| 26.360 FAVLK (D 2866 LF24) | | Diesel | | 11967 | 265 | 360 | 05.00- | ■ | ■ |
| 28.360 FANLK (D 2866 LF24) | | Diesel | | 11967 | 265 | 360 | 05.00- | ■ | ■ |
| 33.360 DFAK, DFALK (D 2866 LF24) | | Diesel | | 11967 | 265 | 360 | 05.00- | ■ | ■ |
| 19.410 FLK (D 2866 LF25) | | Diesel | | 11967 | 301 | 410 | 05.00- | ■ | ■ |
| 26.410 FAVLK (D 2866 LF25) | | Diesel | | 11967 | 301 | 410 | 05.00- | ■ | ■ |
| 28.410 FANLK (D 2866 LF25) | | Diesel | | 11967 | 301 | 410 | 05.00- | ■ | ■ |
| 30.410 FANLK (D 2866 LF25) | | Diesel | | 11967 | 301 | 410 | 05.00- | ■ | ■ |
| 32.410 VFARK (D 2866 LF25) | | Diesel | | 11967 | 301 | 410 | 05.00- | ■ | ■ |
| 33.410 DFAK, DFALK (D 2866 LF25) | | Diesel | | 11967 | 301 | 410 | 05.00- | ■ | ■ |
| 50.410 VFAVK, VFAVK-HK, VFAV-G (D 2866 LF25) | | Diesel | | 11967 | 301 | 410 | 03.01- | ■ | ■ |
| 19.460 FLK (D 2876 LF 03) | | Diesel | | 12816 | 338 | 460 | 05.00- | ■ | ■ |
| 26.460 FAVLK (D 2876 LF 03) | | Diesel | | 12816 | 338 | 460 | 05.00- | ■ | ■ |
| 28.460 FANLK (D 2876 LF 03) | | Diesel | | 12816 | 338 | 460 | 05.00- | ■ | ■ |
| 30.460 FANLK (D 2876 LF 03) | | Diesel | | 12816 | 338 | 460 | 05.00- | ■ | ■ |
| 33.460 DFAK, DFALK (D 2876 LF 03) | | Diesel | | 12816 | 338 | 460 | 05.00- | ■ | ■ |
| 50.460 VFAVK, VFAV-G, VFAVK-HK (D 2876 LF 03) | | Diesel | | 12816 | 338 | 460 | 03.01- | ■ | ■ |
| E2000 08.97- | | | | | | | | Platform/Chassis | |
| 28.310 FNLC (D 2866 LF23) | | Diesel | | 11967 | 228 | 310 | 05.00- | ■ | ■ |
| 28.310 FNLC | | Diesel | | 11967 | 228 | 310 | 05.00- | ■ | ■ |

LISTA DE APLICACIONES - BUYERS GUIDE

| | | | | | | | | | |
|---------------------------------------|--|----------|--|-------|-----|-----|--------|-------------------------|---|
| 28.310 FNLC | | Diesel | | 11967 | 228 | 310 | 05.00- | ■ | ■ |
| 30.310 FNLC (D 2866 LF23) | | Diesel | | 11967 | 228 | 310 | 05.00- | ■ | ■ |
| 32.310 VFCL (D 2866 LF23) | | Diesel | | 11967 | 228 | 310 | 05.00- | ■ | ■ |
| 32.310 VFNLC (D 2866 LF23) | | Diesel | | 11967 | 228 | 310 | 05.00- | ■ | ■ |
| 32.310 VFNLC (D 2866 LF23) | | Diesel | | 11967 | 228 | 310 | 05.00- | ■ | ■ |
| 28.360 FANLC (D 2866 LF24) | | Diesel | | 11967 | 265 | 360 | 05.00- | ■ | ■ |
| 28.360 FNALC (D 2866 LF24) | | Diesel | | 11967 | 265 | 360 | 05.00- | ■ | ■ |
| 28.360 FNLC (D 2866 LF24) | | Diesel | | 11967 | 265 | 360 | 05.00- | ■ | ■ |
| 28.360 FNLC | | Diesel | | 11967 | 265 | 360 | 05.00- | ■ | ■ |
| 28.360 FNLC | | Diesel | | 11967 | 265 | 360 | 05.00- | ■ | ■ |
| 30.360 FNLC (D 2866 LF24) | | Diesel | | 11967 | 265 | 360 | 05.00- | ■ | ■ |
| 32.360 VFCL (D 2866 LF24) | | Diesel | | 11967 | 265 | 360 | 05.00- | ■ | ■ |
| 32.360 VFNLC (D 2866 LF24) | | Diesel | | 11967 | 265 | 360 | 05.00- | ■ | ■ |
| 32.360 VFNLC (D 2866 LF24) | | Diesel | | 11967 | 265 | 360 | 05.00- | ■ | ■ |
| 32.360 VFNLC (D 2866 LF24) | | Diesel | | 11967 | 265 | 360 | 05.00- | ■ | ■ |
| 33.360 DFALC (D 2866 LF24) | | Diesel | | 11967 | 265 | 360 | 05.00- | ■ | ■ |
| 28.410 FANLC (D 2866 LF25) | | Diesel | | 11967 | 301 | 410 | 05.00- | ■ | ■ |
| 28.410 FNLC (D 2866 LF25) | | Diesel | | 11967 | 301 | 410 | 05.00- | ■ | ■ |
| 28.410 FNLC | | Diesel | | 11967 | 301 | 410 | 05.00- | ■ | ■ |
| 28.410 FNLC | | Diesel | | 11967 | 301 | 410 | 05.00- | ■ | ■ |
| 30.410 FANLC (D 2866 LF25) | | Diesel | | 11967 | 301 | 410 | 05.00- | ■ | ■ |
| 30.410 FNLC (D 2866 LF25) | | Diesel | | 11967 | 301 | 410 | 05.00- | ■ | ■ |
| 32.410 VFCL,VFRC, VFLRC (D 2866 LF25) | | Diesel | | 11967 | 301 | 410 | 05.00- | ■ | ■ |
| 32.410 VFNLC (D 2866 LF25) | | Diesel | | 11967 | 301 | 410 | 05.00- | ■ | ■ |
| 32.410 VFNLC (D 2866 LF25) | | Diesel | | 11967 | 301 | 410 | 05.00- | ■ | ■ |
| 33.410 DFALC (D 2866 LF25) | | Diesel | | 11967 | 301 | 410 | 05.00- | ■ | ■ |
| 35.410 FVNLC (D 2866 LF25) | | Diesel | | 11967 | 301 | 410 | 05.00- | ■ | ■ |
| 35.410 FVNLC (D 2866 LF25) | | Diesel | | 11967 | 301 | 410 | 05.00- | ■ | ■ |
| 28.460 FANLC (D 2876 LF 03) | | Diesel | | 12816 | 338 | 460 | 05.00- | ■ | ■ |
| 28.460 FNLC (D 2876 LF 03) | | Diesel | | 12816 | 338 | 460 | 05.00- | ■ | ■ |
| 28.460 FNLC | | Diesel | | 12816 | 338 | 460 | 05.00- | ■ | ■ |
| 28.460 FNLC | | Diesel | | 12816 | 338 | 460 | 05.00- | ■ | ■ |
| 30.460 FANLC (D 2876 LF 03) | | Diesel | | 12816 | 338 | 460 | 05.00- | ■ | ■ |
| 30.460 FNLC (D 2876 LF 03) | | Diesel | | 12816 | 338 | 460 | 05.00- | ■ | ■ |
| 32.460 VFARK | | Diesel | | 12816 | 338 | 460 | 05.00- | ■ | ■ |
| 32.460 VFCL, VFLRC (D 2876 LF 03) | | Diesel | | 12816 | 338 | 460 | 05.00- | ■ | ■ |
| 32.460 VFNLC (D 2876 LF 03) | | Diesel | | 12816 | 338 | 460 | 05.00- | ■ | ■ |
| 32.460 VFNLC (D 2876 LF 03) | | Diesel | | 12816 | 338 | 460 | 05.00- | ■ | ■ |
| 33.460 DFALC (D 2876 LF 03) | | Diesel | | 12816 | 338 | 460 | 05.00- | ■ | ■ |
| 35.460 FVNLC (D 2876 LF 03) | | Diesel | | 12816 | 338 | 460 | 05.00- | ■ | ■ |
| 35.460 FVNLC (D 2876 LF 03) | | Diesel | | 12816 | 338 | 460 | 05.00- | ■ | ■ |
| E2000 08.97- | | | | | | | | Platform/Chassis | |
| 28.230 FNLC (E 2866 DF 01) | | Gasolina | | 11967 | 170 | 231 | 05.00- | ■ | ■ |
| 28.230 FNLC | | Gasolina | | 11967 | 170 | 231 | 05.00- | ■ | ■ |
| E2000 08.97- | | | | | | | | Truck Tractor | |
| 19.310 FLS (D 2866 LF23) | | Diesel | | 11967 | 228 | 310 | 05.00- | ■ | ■ |
| 19.360 FLS (D 2866 LF24) | | Diesel | | 11967 | 265 | 360 | 05.00- | ■ | ■ |
| 33.360 DFALS (D 2866 LF24) | | Diesel | | 11967 | 265 | 360 | 04.01- | ■ | ■ |
| 19.410 FLS (D 2866 LF25) | | Diesel | | 11967 | 301 | 410 | 05.00- | ■ | ■ |
| 33.410 DFALS (D 2866 LF25) | | Diesel | | 11967 | 301 | 410 | 04.01- | ■ | ■ |
| 19.460 FLS (D 2876 LF 03) | | Diesel | | 12816 | 338 | 460 | 05.00- | ■ | ■ |
| 29.460 FVAS (D 2876 LF 03) | | Diesel | | 12816 | 338 | 460 | 05.00- | ■ | ■ |

LISTA DE APLICACIONES - BUYERS GUIDE

| | | | | | | | |
|--------------------------------------|--------|-------|-----|-----------------------|-------------|---|---|
| 33.460 DFALS (D 2876 LF 03) | Diesel | 12816 | 338 | 460 | 04.01- | ■ | ■ |
| 41.460 DFVS, DFVLS (D 2876 LF 03) | Diesel | 12816 | 338 | 460 | 06.00- | ■ | ■ |
| 41.600 DFVS, DFVLS (D 2840 LF21) | Diesel | 18273 | 441 | 600 | 06.00- | ■ | ■ |
| F2000 01.94- | | | | Concrete Mixer | | | |
| 26.314 DF-TM (D 2866 LF23) | Diesel | 11967 | 228 | 310 | 05.01- | ■ | ■ |
| 27.314 DF-TM | Diesel | 11967 | 228 | 310 | 05.01- | ■ | ■ |
| 32.314 VF-TM (D 2866 LF23) | Diesel | 11967 | 228 | 310 | 05.01- | ■ | ■ |
| 35.314 VF-TM | Diesel | 11967 | 228 | 310 | 03.02- | ■ | ■ |
| 26.364 DF-TM (D 2866 LF24) | Diesel | 11967 | 265 | 360 | 05.01- | ■ | ■ |
| 27.364 DF-TM | Diesel | 11967 | 265 | 360 | 05.01- | ■ | ■ |
| 32.364 VF-TM (D 2866 LF24) | Diesel | 11967 | 265 | 360 | 05.01- | ■ | ■ |
| 35.364 VF-TM (D 2866 LF24) | Diesel | 11967 | 265 | 360 | 03.02- | ■ | ■ |
| 27.373 DF-TM | Diesel | 11967 | 272 | 370 | 07.00- | ■ | ■ |
| 27.403 DF-TM | Diesel | 11967 | 294 | 400 | 07.00- | ■ | ■ |
| 26.414 DF-TM (D 2866 LF25) | Diesel | 11967 | 301 | 409 | 05.01- | ■ | ■ |
| 27.414 DF-TM | Diesel | 11967 | 301 | 409 | 05.01- | ■ | ■ |
| 32.414 VF-TM (D 2866 LF25) | Diesel | 11967 | 301 | 409 | 05.01- | ■ | ■ |
| 35.414 VF-TM (D 2866 LF25) | Diesel | 11967 | 301 | 409 | 03.02- | ■ | ■ |
| 27.423 DF-TM | Diesel | 11967 | 309 | 420 | 07.00- | ■ | ■ |
| 26.464 DF-TM (D 2876 LF 03) | Diesel | 12816 | 338 | 460 | 05.01- | ■ | ■ |
| 27.463 DF-TM | Diesel | 12816 | 338 | 460 | 07.00- | ■ | ■ |
| 27.464 DF-TM | Diesel | 12816 | 338 | 460 | 05.01- | ■ | ■ |
| 32.464 VF-TM (D 2876 LF 03) | Diesel | 12816 | 338 | 460 | 05.01- | ■ | ■ |
| 35.464 VF-TM (D 2876 LF 03) | Diesel | 12816 | 338 | 460 | 03.02- | ■ | ■ |
| F2000 01.94- | | | | Dump Truck | | | |
| 19.273FAK (D 2865 LF22) | Diesel | 9973 | 198 | 269 | 01.94- | ■ | |
| 19.273FK (D 2865 LF22) | Diesel | 9973 | 198 | 269 | 01.94- | ■ | |
| 26.273 DFK,26.273 DFLK (D 2865 LF22) | Diesel | 9973 | 198 | 269 | 01.94-12.95 | ■ | |
| 27.273DFAK (D 2865 LF22) | Diesel | 9973 | 198 | 269 | 01.94-12.95 | ■ | |
| 27.273DFK (D 2865 LF22) | Diesel | 9973 | 198 | 269 | 01.94-12.95 | ■ | |
| 19.293 FAK (D 2865 LF20) | Diesel | 9973 | 213 | 290 | 01.94- | ■ | |
| 19.293 FAK (D 2865 LF24) | Diesel | 9973 | 213 | 290 | 01.94- | ■ | |
| 19.293 FK,19.293 FLK (D 2865 LF20) | Diesel | 9973 | 213 | 290 | 01.94- | ■ | |
| 19.293 FK,19.293 FLK (D 2865 LF24) | Diesel | 9973 | 213 | 290 | 01.94- | ■ | |
| 26.293 DFK,26.293 DFLK (D 2865 LF20) | Diesel | 9973 | 213 | 290 | 01.94- | ■ | |
| 26.293 DFK,26.293 DFLK (D 2865 LF24) | Diesel | 9973 | 213 | 290 | 01.94- | ■ | |
| 27.293DFAK (D 2865 LF20) | Diesel | 9973 | 213 | 290 | 01.94- | ■ | |
| 27.293DFAK (D 2865 LF24) | Diesel | 9973 | 213 | 290 | 01.94- | ■ | |
| 27.293 DFK (D 2865 LF20) | Diesel | 9973 | 213 | 290 | 01.94- | ■ | |
| 27.293 DFK (D 2865 LF24) | Diesel | 9973 | 213 | 290 | 01.94- | ■ | |
| 19.323FAK (D 2865 LF23) | Diesel | 9973 | 235 | 320 | 01.94-12.95 | ■ | |
| 19.323 FK,19.323 FLK (D 2865 LF23) | Diesel | 9973 | 235 | 320 | 01.94-12.95 | ■ | |
| 26.323 DFK,26.323 DFLK (D 2865 LF23) | Diesel | 9973 | 235 | 320 | 01.94-12.95 | ■ | |
| 27.323 DFAK, DFA-KI (D 2865 LF23) | Diesel | 9973 | 235 | 320 | 01.94- | ■ | |
| 27.323 DFK, DF-KI (D 2865 LF23) | Diesel | 9973 | 235 | 320 | 01.94- | ■ | |
| 33.323 DFAK (D 2865 LF23) | Diesel | 9973 | 235 | 320 | 01.94-12.95 | ■ | |
| 19.343FAK (D 2865 LF21) | Diesel | 9973 | 250 | 340 | 01.94- | ■ | |
| 19.343 FK,19.343 FLK (D 2865 LF21) | Diesel | 9973 | 250 | 340 | 01.94- | ■ | |
| 26.343 DFK,26.343 DFLK (D 2865 LF21) | Diesel | 9973 | 250 | 340 | 01.94- | ■ | |
| 27.343DFAK (D 2865 LF21) | Diesel | 9973 | 250 | 340 | 01.94- | ■ | |
| 27.343DFK (D 2865 LF21) | Diesel | 9973 | 250 | 340 | 01.94- | ■ | |

LISTA DE APLICACIONES - BUYERS GUIDE

| | | | | | | | |
|---|--------|-------|-----|-----|-------------|---|---|
| 32.343VFK (D 2865 LF21) | Diesel | 9973 | 250 | 340 | 08.95- | ■ | |
| 33.343 DFAK (D 2865 LF21) | Diesel | 9973 | 250 | 340 | 01.94- | ■ | |
| 35.343VFK (D 2865 LF21) | Diesel | 9973 | 250 | 340 | 08.95- | ■ | |
| 41.343VFK (D 2865 LF21) | Diesel | 9973 | 250 | 340 | 08.95- | ■ | |
| 19.314 FAK, FA-KI, FAK-L | Diesel | 11967 | 228 | 310 | 05.01- | ■ | ■ |
| 19.314 FK, FK-L, F-KI, FL-KI, F-NL, FLK (D 2866 LF34) | Diesel | 11967 | 228 | 310 | 06.94-02.05 | ■ | ■ |
| 26.314 DFK, DFLK, DFLK-L (D 2866 LF23) | Diesel | 11967 | 228 | 310 | 05.01- | ■ | ■ |
| 27.314 DFAK, DFA-KI, DFAK-L | Diesel | 11967 | 228 | 310 | 05.01- | ■ | ■ |
| 27.314 DFK, DFLK, DFLK-L, DF-KI | Diesel | 11967 | 228 | 310 | 05.01- | ■ | ■ |
| 32.314 VFK, VF-HK (D 2866 LF23) | Diesel | 11967 | 228 | 310 | 05.01- | ■ | ■ |
| 19.364 FAK, FA-KI, FAK-L (D 2866 LF35) | Diesel | 11967 | 265 | 360 | 06.98- | ■ | ■ |
| 19.364 FK, FK-L, F-KI, FL-KI, F-NL, FLK (D 2866 LF35) | Diesel | 11967 | 265 | 360 | 06.98- | ■ | ■ |
| 26.364 DFK, DFLK, DFLK-L (D 2866 LF24) | Diesel | 11967 | 265 | 360 | 05.01- | ■ | ■ |
| 27.364 DFAK, DFA-KI, DFAK-L | Diesel | 11967 | 265 | 360 | 05.01- | ■ | ■ |
| 27.364 DFK, DFK-KI, DFK-L, DF-KI | Diesel | 11967 | 265 | 360 | 05.01- | ■ | ■ |
| 32.364 VFK, VF-HK (D 2866 LF24) | Diesel | 11967 | 265 | 360 | 05.01- | ■ | ■ |
| 33.364 DFAK, DFAK-HK, DFA-KI | Diesel | 11967 | 265 | 360 | 05.01- | ■ | ■ |
| 35.364 VFK, VF-HK, VF-KI (D 2866 LF24) | Diesel | 11967 | 265 | 360 | 03.02- | ■ | ■ |
| 41.364 VFK, VF-HK, VF-KI | Diesel | 11967 | 265 | 360 | 03.02- | ■ | ■ |
| 19.373 FAK, FA-KI, FAK-L (D 2866 LF21) | Diesel | 11967 | 272 | 370 | 01.94- | ■ | |
| 19.373 FK, FK-L, F-KI, FL-KI, F-NL, FLK (D 2866 LF21) | Diesel | 11967 | 272 | 370 | 01.94- | ■ | |
| 26.373 DFK,26.373 DFLK (D 2866 LF21) | Diesel | 11967 | 272 | 370 | 01.94-12.95 | ■ | |
| 27.373 DFAK, DFA-KI, DFAK-L (D 2866 LF21) | Diesel | 11967 | 272 | 370 | 01.94- | ■ | |
| 27.373 DFK, DFK-KI, DFK-L, DF-KI (D 2866 LF21) | Diesel | 11967 | 272 | 370 | 01.94- | ■ | |
| 33.373 DFAK, DFAK-HK, DFA-KI (D 2866 LF21) | Diesel | 11967 | 272 | 370 | 01.94- | ■ | |
| 35.373 VFK, VF-HK, VF-KI | Diesel | 11967 | 272 | 370 | 03.02- | ■ | ■ |
| 40.373 DFAK | Diesel | 11967 | 272 | 370 | 05.01- | ■ | ■ |
| 40.373 DFK | Diesel | 11967 | 272 | 370 | 05.01- | ■ | ■ |
| 41.373 VFK, VF-HK, VF-KI | Diesel | 11967 | 272 | 370 | 03.02- | ■ | ■ |
| 19.403 FAK, FA-KI (D 2866 LF20) | Diesel | 11967 | 294 | 400 | 01.94- | ■ | |
| 19.403 FK, F-KI, FK-L,FLK, FL-KI, F-NL (D 2866 LF20) | Diesel | 11967 | 294 | 400 | 01.94- | ■ | |
| 26.403 DFK,26.403 DFLK (D 2866 LF20) | Diesel | 11967 | 294 | 400 | 01.94- | ■ | |
| 27.403 DFAK, DFA-KI, DFAK-L (D 2866 LF20) | Diesel | 11967 | 294 | 400 | 01.94- | ■ | |
| 27.403 DFK, DFK-KI, DFK-L, DF-KI (D 2866 LF20) | Diesel | 11967 | 294 | 400 | 01.94- | ■ | |
| 33.403 DFAK, DFAK-HK, DFA-KI (D 2866 LF20) | Diesel | 11967 | 294 | 400 | 01.94- | ■ | |
| 35.403 VFK, VF-HK, VF-KI (D 2866 LF20) | Diesel | 11967 | 294 | 400 | 03.02- | ■ | |
| 40.403 DFAK (D 2866 LF20) | Diesel | 11967 | 294 | 400 | 01.94- | ■ | ■ |
| 40.403 DFK (D 2866 LF20) | Diesel | 11967 | 294 | 400 | 01.94- | ■ | ■ |
| 41.403 VFK, VF-HK, VF-KI (D 2866 LF20) | Diesel | 11967 | 294 | 400 | 08.95- | ■ | |
| 19.414 FAK, FA-KI, FAK-L (D 2866 LF31) | Diesel | 11967 | 301 | 409 | 06.98- | ■ | ■ |
| 19.414 FK, F-KI, FK-L,FLK, FL-KI, F-NL (D 2866 LF31) | Diesel | 11967 | 301 | 409 | 06.98- | ■ | ■ |
| 26.414 DFK, DFLK, DFLK-L (D 2866 LF25) | Diesel | 11967 | 301 | 409 | 05.01- | ■ | ■ |
| 27.414 DFAK, DFA-KI, DFAK-L | Diesel | 11967 | 301 | 409 | 05.01- | ■ | ■ |
| 27.414 DFK, DFK-KI, DFK-L, DF-KI | Diesel | 11967 | 301 | 409 | 05.01- | ■ | ■ |
| 32.414 VFK, VF-HK (D 2866 LF25) | Diesel | 11967 | 301 | 409 | 05.01- | ■ | ■ |
| 33.414 DFAK, DFAK-HK, DFA-KI | Diesel | 11967 | 301 | 409 | 05.01- | ■ | ■ |
| 35.414 VFK, VF-HK, VF-KI (D 2866 LF25) | Diesel | 11967 | 301 | 409 | 03.02- | ■ | ■ |

LISTA DE APLICACIONES - BUYERS GUIDE

| | | | | | | | | | |
|--|--|----------|--|-------|-----|-----|-------------|--------------------------|---|
| 40.414 DFAK | | Diesel | | 11967 | 301 | 409 | 05.01- | ■ | ■ |
| 40.414 DFK | | Diesel | | 11967 | 301 | 409 | 05.01- | ■ | ■ |
| 41.414 VFK, VF-HK, VF-KI | | Diesel | | 11967 | 301 | 409 | 03.02- | ■ | ■ |
| 19.423 FAK, FA-KI (D 2866 LF22) | | Diesel | | 11967 | 309 | 420 | 01.94- | ■ | |
| 19.423 FK, F-KI, FK-L, FLK, FL-KI, F-NL (D 2866 LF22) | | Diesel | | 11967 | 309 | 420 | 01.94- | ■ | |
| 26.423 DFK,26.423 DFLK (D 2866 LF22) | | Diesel | | 11967 | 309 | 420 | 01.94-12.95 | ■ | |
| 27.423 DFAK, DFA-KI, DFAK-L (D 2866 LF22) | | Diesel | | 11967 | 309 | 420 | 01.94- | ■ | |
| 27.423 DFK, DFK-KI, DFK-L, DF-KI (D 2866 LF22) | | Diesel | | 11967 | 309 | 420 | 01.94- | ■ | |
| 33.423 DFAK, DFAK-HK, DFA-KI (D 2866 LF22) | | Diesel | | 11967 | 309 | 420 | 01.94- | ■ | |
| 35.423 VFK, VF-HK, VF-KI | | Diesel | | 11967 | 309 | 420 | 03.02- | ■ | ■ |
| 40.423 DFAK | | Diesel | | 11967 | 309 | 420 | 05.01- | ■ | ■ |
| 40.423 DFK | | Diesel | | 11967 | 309 | 420 | 05.01- | ■ | ■ |
| 41.423 VFK, VF-HK, VF-KI | | Diesel | | 11967 | 309 | 420 | 03.02- | ■ | ■ |
| 19.463 FAK, FA-KI, FAK-L (D 2876 LF 02) | | Diesel | | 12816 | 338 | 460 | 01.94- | ■ | |
| 19.463 FK, F-KI, FK-L, FLK, FL-KI, F-NL (D 2876 LF 02) | | Diesel | | 12816 | 338 | 460 | 01.94- | ■ | |
| 19.464 FAK, FA-KI, FAK-L (D 2876 LF 06) | | Diesel | | 12816 | 338 | 460 | 06.98- | ■ | ■ |
| 19.464 FK, F-KI, FK-L, FLK, FL-KI, F-NL (D 2876 LF 06) | | Diesel | | 12816 | 338 | 460 | 06.98- | ■ | ■ |
| 26.463 DFK, DFLK, DFLK-L (D 2876 LF 02) | | Diesel | | 12816 | 338 | 460 | 01.94- | ■ | |
| 26.464 DFK, DFLK, DFLK-L (D 2876 LF 03) | | Diesel | | 12816 | 338 | 460 | 05.01- | ■ | ■ |
| 27.463 DFAK, DFA-KI, DFAK-L (D 2876 LF 02) | | Diesel | | 12816 | 338 | 460 | 01.94- | ■ | |
| 27.463 DFK, DFK-KI, DFK-L, DF-KI (D 2876 LF 02) | | Diesel | | 12816 | 338 | 460 | 01.94- | ■ | |
| 27.464 DFAK, DFA-KI, DFAK-L | | Diesel | | 12816 | 338 | 460 | 05.01- | ■ | ■ |
| 27.464 DFK, DFK-KI, DFK-L, DF-KI | | Diesel | | 12816 | 338 | 460 | 05.01- | ■ | ■ |
| 32.463VFK (D 2876 LF 02) | | Diesel | | 12816 | 338 | 460 | 08.95- | ■ | |
| 32.464 VFK, VF-HK (D 2876 LF 03) | | Diesel | | 12816 | 338 | 460 | 05.01- | ■ | ■ |
| 33.463 DFAK, DFAK-HK, DFA-KI (D 2876 LF 02) | | Diesel | | 12816 | 338 | 460 | 01.94- | ■ | |
| 33.464 DFAK, DFAK-HK, DFA-KI | | Diesel | | 12816 | 338 | 460 | 05.01- | ■ | ■ |
| 35.463 VFK, VF-HK, VF-KI (D 2876 LF 02) | | Diesel | | 12816 | 338 | 460 | 08.95- | ■ | |
| 35.464 VFK, VF-HK, VF-KI (D 2876 LF 03) | | Diesel | | 12816 | 338 | 460 | 03.02- | ■ | ■ |
| 40.463 DFAK (D 2876 LF 02) | | Diesel | | 12816 | 338 | 460 | 01.94- | ■ | ■ |
| 40.463 DFK (D 2876 LF 02) | | Diesel | | 12816 | 338 | 460 | 01.94- | ■ | ■ |
| 41.463 VFK, VF-HK, VF-KI (D 2876 LF 02) | | Diesel | | 12816 | 338 | 460 | 08.95- | ■ | |
| 41.464 VFK, VF-HK, VF-KI | | Diesel | | 12816 | 338 | 460 | 03.02- | ■ | ■ |
| F2000 01.94- | | | | | | | | Dump Truck | |
| 19.233 FK, FK-L, CNG (E 2866 DF 01) | | Gasolina | | 11967 | 170 | 231 | 03.00- | ■ | ■ |
| F2000 01.94- | | | | | | | | Municipal Vehicle | |
| 26.464 FVL-KO (D 2876 LF 03) | | Diesel | | 12816 | 338 | 460 | 05.01- | ■ | |
| F2000 01.94- | | | | | | | | Platform/Chassis | |
| 19.273FA (D 2865 LF22) | | Diesel | | 9973 | 198 | 269 | 01.94- | ■ | |
| 24.273 FNLLC (D 2865 LF22) | | Diesel | | 9973 | 198 | 269 | 01.94-12.95 | ■ | |
| 26.273 FNLC,26.273 FNLLC,26.273 FVLC | | Diesel | | 9973 | 198 | 269 | 01.94-12.95 | ■ | ■ |
| 27.273DFAC (D 2865 LF22) | | Diesel | | 9973 | 198 | 269 | 01.94-12.95 | ■ | |
| 19.293FAC (D 2865 LF20) | | Diesel | | 9973 | 213 | 290 | 01.94- | ■ | |
| 19.293FAC (D 2865 LF24) | | Diesel | | 9973 | 213 | 290 | 01.94- | ■ | |
| 24.293 FNLLC (D 2865 LF24) | | Diesel | | 9973 | 213 | 290 | 01.94- | ■ | |
| 26.293 FNLC,26.293 FNLLC,26.293 FVLC | | Diesel | | 9973 | 213 | 290 | 01.94- | ■ | ■ |
| 27.293DFAC (D 2865 LF20) | | Diesel | | 9973 | 213 | 290 | 01.94- | ■ | |

LISTA DE APLICACIONES - BUYERS GUIDE

| | | | | | | |
|--|--------|-------|-----|-----|-------------|-----|
| 27.293DFAC (D 2865 LF24) | Diesel | 9973 | 213 | 290 | 01.94- | ■ |
| 32.293VFC (D 2865 LF24) | Diesel | 9973 | 213 | 290 | 08.95- | ■ |
| 19.323FAC (D 2865 LF23) | Diesel | 9973 | 235 | 320 | 01.94-12.95 | ■ |
| 24.323 FNLLC (D 2865 LF23) | Diesel | 9973 | 235 | 320 | 01.94-12.95 | ■ |
| 26.323 FNLC,26.323 FNLLC,26.323 FVLC | Diesel | 9973 | 235 | 320 | 01.94-12.95 | ■ ■ |
| 27.323DFAC (D 2865 LF23) | Diesel | 9973 | 235 | 320 | 01.94-12.95 | ■ |
| 33.323 DFAC (D 2865 LF23) | Diesel | 9973 | 235 | 320 | 01.94-12.95 | ■ |
| 19.343FAC (D 2865 LF21) | Diesel | 9973 | 250 | 340 | 01.94- | ■ |
| 24.343 FNLLC (D 2865 LF21) | Diesel | 9973 | 250 | 340 | 01.94- | ■ |
| 26.343 FNLC,26.343 FNLLC,26.343 FVLC | Diesel | 9973 | 250 | 340 | 01.94- | ■ ■ |
| 27.343DFAC (D 2865 LF21) | Diesel | 9973 | 250 | 340 | 01.94- | ■ |
| 32.343VFC (D 2865 LF21) | Diesel | 9973 | 250 | 340 | 08.95- | ■ |
| 33.343 DFAC (D 2865 LF21) | Diesel | 9973 | 250 | 340 | 01.94- | ■ |
| 35.343VFC (D 2865 LF21) | Diesel | 9973 | 250 | 340 | 08.95- | ■ ■ |
| 41.343VFC (D 2865 LF21) | Diesel | 9973 | 250 | 340 | 08.95- | ■ ■ |
| 19.314 FAC | Diesel | 11967 | 228 | 310 | 05.01- | ■ ■ |
| 23.314 FNLLC | Diesel | 11967 | 228 | 310 | 05.01- | ■ |
| 24.314 FNLLRC | Diesel | 11967 | 228 | 310 | 05.01- | ■ ■ |
| 26.314 FNLC, FNLLC, FNLLRC, FNLLW, FNLRC, FNLLRC, FVLC | Diesel | 11967 | 228 | 310 | 05.01- | ■ ■ |
| 27.314 DFAC (D 2866 LF23) | Diesel | 11967 | 228 | 310 | 05.01- | ■ ■ |
| 32.314 VF, VFC (D 2866 LF23) | Diesel | 11967 | 228 | 310 | 05.01- | ■ ■ |
| 19.364FAC (D 2866 LF35) | Diesel | 11967 | 265 | 360 | 06.98- | ■ |
| 23.364 FNLLC | Diesel | 11967 | 265 | 360 | 05.01- | ■ |
| 24.364 FNLLRC | Diesel | 11967 | 265 | 360 | 05.01- | ■ ■ |
| 26.364 FNLC, FNLLC, FNLLRC, FNLLW, FNLRC, FNLLRC, FVLC | Diesel | 11967 | 265 | 360 | 05.01- | ■ ■ |
| 27.364 DFAC (D 2866 LF24) | Diesel | 11967 | 265 | 360 | 05.01- | ■ ■ |
| 32.364 VF, VFC (D 2866 LF24) | Diesel | 11967 | 265 | 360 | 05.01- | ■ ■ |
| 33.364 DFAC | Diesel | 11967 | 265 | 360 | 05.01- | ■ ■ |
| 35.364 VF, VFC, VFRC (D 2866 LF24) | Diesel | 11967 | 265 | 360 | 05.01- | ■ ■ |
| 41.364 VF, VFC, VFRC | Diesel | 11967 | 265 | 360 | 05.01- | ■ ■ |
| 19.373FAC (D 2866 LF21) | Diesel | 11967 | 272 | 370 | 01.94- | ■ |
| 24.373 FNLLC (D 2866 LF21) | Diesel | 11967 | 272 | 370 | 01.94-12.95 | ■ |
| 26.373 FNLC,26.373 FNLLC,26.373 FVLC | Diesel | 11967 | 272 | 370 | 01.94-12.95 | ■ ■ |
| 27.373DFAC (D 2866 LF21) | Diesel | 11967 | 272 | 370 | 01.94- | ■ |
| 33.373 DFAC (D 2866 LF21) | Diesel | 11967 | 272 | 370 | 01.94- | ■ |
| 35.373 VF, VFC, VFRC | Diesel | 11967 | 272 | 370 | 05.01- | ■ ■ |
| 41.373 VF, VFC, VFRC | Diesel | 11967 | 272 | 370 | 05.01- | ■ ■ |
| 19.403FAC (D 2866 LF20) | Diesel | 11967 | 294 | 400 | 01.94- | ■ |
| 24.403 FNLLC (D 2866 LF20) | Diesel | 11967 | 294 | 400 | 06.94-02.05 | ■ |
| 26.403 FNLC,26.403 FNLLC,26.403 FVLC | Diesel | 11967 | 294 | 400 | 01.94- | ■ ■ |
| 27.403DFAC (D 2866 LF20) | Diesel | 11967 | 294 | 400 | 01.94- | ■ |
| 32.403VFC (D 2866 LF20) | Diesel | 11967 | 294 | 400 | 08.95- | ■ |
| 33.403 DFAC (D 2866 LF20) | Diesel | 11967 | 294 | 400 | 01.94- | ■ |
| 35.403 VF, VFC, VFRC (D 2866 LF20) | Diesel | 11967 | 294 | 400 | 08.95- | ■ |
| 41.403 VF, VFC, VFRC (D 2866 LF20) | Diesel | 11967 | 294 | 400 | 08.95- | ■ |
| 19.414FAC (D 2866 LF31) | Diesel | 11967 | 301 | 409 | 06.98- | ■ |
| 23.414 FNLLC | Diesel | 11967 | 301 | 409 | 05.01- | ■ |
| 24.414 FNLLRC | Diesel | 11967 | 301 | 409 | 05.01- | ■ ■ |
| 26.414 FNLC, FNLLC, FNLLRC, FNLLW, FNLRC, FNLLRC, FVLC | Diesel | 11967 | 301 | 409 | 05.01- | ■ ■ |
| 27.414 DFAC (D 2866 LF25) | Diesel | 11967 | 301 | 409 | 05.01- | ■ ■ |

LISTA DE APLICACIONES - BUYERS GUIDE

| | | | | | | | | |
|--|--------|--|-------|-----|-----|-------------|---|----------------------|
| 32.414 VF, VFC (D 2866 LF25) | Diesel | | 11967 | 301 | 409 | 05.01- | ■ | ■ |
| 33.414 DFAC | Diesel | | 11967 | 301 | 409 | 05.01- | ■ | ■ |
| 35.414 VF, VFC, VFRC (D 2866 LF25) | Diesel | | 11967 | 301 | 409 | 05.01- | ■ | ■ |
| 41.414 VF, VFC, VFRC | Diesel | | 11967 | 301 | 409 | 05.01- | ■ | ■ |
| 19.423FAC (D 2866 LF22) | Diesel | | 11967 | 309 | 420 | 01.94-12.95 | ■ | |
| 24.423 FNLLC (D 2866 LF22) | Diesel | | 11967 | 309 | 420 | 01.94-12.95 | ■ | |
| 26.423 FNLC,26.423 FNLLC,26.423 FVLC | Diesel | | 11967 | 309 | 420 | 01.94-12.95 | ■ | ■ |
| 27.423DFAC (D 2866 LF22) | Diesel | | 11967 | 309 | 420 | 01.94- | ■ | |
| 33.423 DFAC (D 2866 LF22) | Diesel | | 11967 | 309 | 420 | 01.94- | ■ | |
| 35.423 VF, VFC, VFRC | Diesel | | 11967 | 309 | 420 | 05.01- | ■ | ■ |
| 41.423 VF, VFC, VFRC | Diesel | | 11967 | 309 | 420 | 05.01- | ■ | ■ |
| 19.463FAC (D 2876 LF 02) | Diesel | | 12816 | 338 | 460 | 01.94- | ■ | |
| 19.464 FAC (D 2876 LF 06) | Diesel | | 12816 | 338 | 460 | 06.98- | ■ | ■ |
| 23.464 FNLLC | Diesel | | 12816 | 338 | 460 | 05.01- | ■ | |
| 24.463 FNLLC (D 2876 LF 02) | Diesel | | 12816 | 338 | 460 | 01.94- | ■ | |
| 24.464 FNLLRC | Diesel | | 12816 | 338 | 460 | 05.01- | ■ | ■ |
| 26.463 FNLC, FNLLC, FNLLRC, FNLLW, FNLRC, FNLLRC, FVLC | Diesel | | 12816 | 338 | 460 | 01.94- | ■ | ■ |
| 26.464 FNLC, FNLLC, FNLLRC, FNLLW, FNLRC, FNLLRC, FVLC | Diesel | | 12816 | 338 | 460 | 05.01- | ■ | ■ |
| 27.463DFAC (D 2876 LF 02) | Diesel | | 12816 | 338 | 460 | 01.94- | ■ | |
| 27.464 DFAC (D 2876 LF 03) | Diesel | | 12816 | 338 | 460 | 05.01- | ■ | ■ |
| 32.463VFC (D 2876 LF 02) | Diesel | | 12816 | 338 | 460 | 08.95- | ■ | |
| 32.464 VF, VFC (D 2876 LF 03) | Diesel | | 12816 | 338 | 460 | 05.01- | ■ | ■ |
| 33.463 DFAC (D 2876 LF 02) | Diesel | | 12816 | 338 | 460 | 01.94- | ■ | |
| 33.464 DFAC | Diesel | | 12816 | 338 | 460 | 05.01- | ■ | ■ |
| 35.463 VF, VFC, VFRC (D 2876 LF 02) | Diesel | | 12816 | 338 | 460 | 08.95- | ■ | |
| 35.464 VF, VFC, VFRC (D 2876 LF 03) | Diesel | | 12816 | 338 | 460 | 05.01- | ■ | ■ |
| 41.463 VF, VFC, VFRC (D 2876 LF 02) | Diesel | | 12816 | 338 | 460 | 08.95- | ■ | |
| 41.464 VF, VFC, VFRC (D 2876 LF 06) | Diesel | | 12816 | 338 | 460 | 06.98- | ■ | ■ |
| F2000 01.94- | | | | | | | | Truck Tractor |
| 26.273 FNLS,26.273 FVLS | Diesel | | 9973 | 198 | 269 | 01.94-12.95 | ■ | ■ |
| 27.273DFAS (D 2865 LF22) | Diesel | | 9973 | 198 | 269 | 01.94-12.95 | ■ | |
| 19.293FAS (D 2865 LF20) | Diesel | | 9973 | 213 | 290 | 01.94- | ■ | |
| 19.293FAS (D 2865 LF24) | Diesel | | 9973 | 213 | 290 | 01.94- | ■ | |
| 26.293 FNLS,26.293 FVLS | Diesel | | 9973 | 213 | 290 | 01.94- | ■ | ■ |
| 27.293DFAS (D 2865 LF20) | Diesel | | 9973 | 213 | 290 | 01.94- | ■ | |
| 27.293DFAS (D 2865 LF24) | Diesel | | 9973 | 213 | 290 | 01.94- | ■ | |
| 19.323FAS (D 2865 LF23) | Diesel | | 9973 | 235 | 320 | 01.94-12.95 | ■ | |
| 26.323 FNLS,26.323 FVLS | Diesel | | 9973 | 235 | 320 | 01.94-12.95 | ■ | ■ |
| 27.323DFAS (D 2865 LF23) | Diesel | | 9973 | 235 | 320 | 01.94-12.95 | ■ | |
| 33.323 DFAS (D 2865 LF23) | Diesel | | 9973 | 235 | 320 | 01.94-12.95 | ■ | |
| 19.343FAS (D 2865 LF21) | Diesel | | 9973 | 250 | 340 | 01.94- | ■ | |
| 26.343 FNLS,26.343 FVLS | Diesel | | 9973 | 250 | 340 | 01.94- | ■ | ■ |
| 27.343DFAS (D 2865 LF21) | Diesel | | 9973 | 250 | 340 | 01.94- | ■ | |
| 33.343 DFAS (D 2865 LF21) | Diesel | | 9973 | 250 | 340 | 01.94- | ■ | |
| 19.314FAS (D 2866 LF34) | Diesel | | 11967 | 228 | 310 | 06.98- | ■ | |
| 27.314 DFAS | Diesel | | 11967 | 228 | 310 | 05.01- | ■ | ■ |
| 19.364FAS (D 2866 LF35) | Diesel | | 11967 | 265 | 360 | 06.98- | ■ | |
| 27.364 DFAS | Diesel | | 11967 | 265 | 360 | 05.01- | ■ | ■ |
| 33.364 DFAS | Diesel | | 11967 | 265 | 360 | 05.01- | ■ | ■ |
| 19.373FAS (D 2866 LF21) | Diesel | | 11967 | 272 | 370 | 01.94- | ■ | |

LISTA DE APLICACIONES - BUYERS GUIDE

| | | | | | | | | | |
|---------------------------------|--|--------|--|-------|-----|-----|-------------|---|-----------------------|
| 26.373 FNLS,26.373 FVLS | | Diesel | | 11967 | 272 | 370 | 01.94-12.95 | ■ | ■ |
| 27.373DFAS (D 2866 LF21) | | Diesel | | 11967 | 272 | 370 | 01.94- | ■ | |
| 33.373 DFAS (D 2866 LF21) | | Diesel | | 11967 | 272 | 370 | 01.94- | ■ | |
| 19.403FAS (D 2866 LF20) | | Diesel | | 11967 | 294 | 400 | 01.94- | ■ | |
| 26.403 FNLS,26.403 FVLS | | Diesel | | 11967 | 294 | 400 | 01.94- | ■ | ■ |
| 27.403DFAS (D 2866 LF20) | | Diesel | | 11967 | 294 | 400 | 01.94- | ■ | |
| 33.403 DFAS (D 2866 LF20) | | Diesel | | 11967 | 294 | 400 | 01.94- | ■ | |
| 19.414FAS (D 2866 LF31) | | Diesel | | 11967 | 301 | 409 | 06.98- | ■ | |
| 27.414 DFAS | | Diesel | | 11967 | 301 | 409 | 05.01- | ■ | ■ |
| 33.414 DFAS | | Diesel | | 11967 | 301 | 409 | 05.01- | ■ | ■ |
| 19.423FAS (D 2866 LF22) | | Diesel | | 11967 | 309 | 420 | 01.94-12.95 | ■ | |
| 26.423 FNLS,26.423 FVLS | | Diesel | | 11967 | 309 | 420 | 01.94-12.95 | ■ | ■ |
| 27.423DFAS (D 2866 LF22) | | Diesel | | 11967 | 309 | 420 | 01.94-12.95 | ■ | |
| 33.423 DFAS (D 2866 LF22) | | Diesel | | 11967 | 309 | 420 | 01.94- | ■ | |
| 19.463FAS (D 2876 LF 02) | | Diesel | | 12816 | 338 | 460 | 01.94- | ■ | |
| 19.464FAS (D 2876 LF 06) | | Diesel | | 12816 | 338 | 460 | 06.98- | ■ | |
| 26.463 FNLS, FVLS, FVLRs | | Diesel | | 12816 | 338 | 460 | 01.94- | ■ | ■ |
| 26.464 DFS, DFSL (D 2876 LF 03) | | Diesel | | 12816 | 338 | 460 | 05.01- | ■ | ■ |
| 27.463DFAS (D 2876 LF 02) | | Diesel | | 12816 | 338 | 460 | 01.94- | ■ | |
| 27.464 DFAS | | Diesel | | 12816 | 338 | 460 | 05.01- | ■ | ■ |
| 33.463 DFAS (D 2876 LF 02) | | Diesel | | 12816 | 338 | 460 | 01.94- | ■ | |
| 33.464 DFAS | | Diesel | | 12816 | 338 | 460 | 05.01- | ■ | ■ |
| 40.463 DFAS (D 2876 LF 02) | | Diesel | | 12816 | 338 | 460 | 01.94- | ■ | ■ |
| 27.604 DFS | | Diesel | | 18273 | 441 | 600 | 04.00- | ■ | |
| 33.603 DFAS (D 2840 LF20) | | Diesel | | 18273 | 441 | 600 | 06.96- | ■ | |
| 33.604 DFAS | | Diesel | | 18273 | 441 | 600 | 04.00- | ■ | ■ |
| 33.604 DFS | | Diesel | | 18273 | 441 | 600 | 04.00- | ■ | |
| F90 06.86-12.97 | | | | | | | | | Concrete Mixer |
| 32.262VFTM (D 2865 LF/260) | | Diesel | | 9973 | 191 | 260 | 02.89-02.90 | ■ | |
| F90 06.86-12.97 | | | | | | | | | Dump Truck |
| 19.262FAK (D 2865 LF/260) | | Diesel | | 9973 | 191 | 260 | 02.89-02.90 | ■ | |
| 19.262FK (D 2865 LF/260) | | Diesel | | 9973 | 191 | 260 | 01.88-02.90 | ■ | |
| 24.262DFK (D 2865 LF/260) | | Diesel | | 9973 | 191 | 260 | 01.88-02.90 | ■ | |
| 26.262DFAK (D 2865 LF/260) | | Diesel | | 9973 | 191 | 260 | 02.89-02.90 | ■ | |
| 26.262DFK (D 2865 LF/260) | | Diesel | | 9973 | 191 | 260 | 01.88-02.90 | ■ | |
| 32.262VFK (D 2865 LF/260) | | Diesel | | 9973 | 191 | 260 | 02.89-02.90 | ■ | |
| 33.262DFAK (D 2865 LF/260) | | Diesel | | 9973 | 191 | 260 | 07.89-02.90 | ■ | |
| 33.262DFK (D 2865 LF/260) | | Diesel | | 9973 | 191 | 260 | 08.88-02.90 | ■ | |
| 35.262VFK (D 2865 LF/260) | | Diesel | | 9973 | 191 | 260 | 02.89-02.90 | ■ | |
| 41.262VFK (D 2865 LF/260) | | Diesel | | 9973 | 191 | 260 | 07.89-02.90 | ■ | |
| 19.272FAK (D 2865 LF02) | | Diesel | | 9973 | 198 | 269 | 02.90-05.95 | ■ | |
| 19.272FAK (D 2865 LF05) | | Diesel | | 9973 | 198 | 269 | 02.90-05.95 | ■ | |
| 19.272FK (D 2865 LF02) | | Diesel | | 9973 | 198 | 269 | 02.90-05.95 | ■ | |
| 19.272FK (D 2865 LF05) | | Diesel | | 9973 | 198 | 269 | 02.90-05.95 | ■ | |
| 24.272DFK (D 2865 LF02) | | Diesel | | 9973 | 198 | 269 | 02.90-12.90 | ■ | |
| 25.272DFK (D 2865 LF02) | | Diesel | | 9973 | 198 | 269 | 09.90-12.92 | ■ | |
| 25.272DFK (D 2865 LF05) | | Diesel | | 9973 | 198 | 269 | 09.90-12.92 | ■ | |
| 26.272DFAK (D 2865 LF02) | | Diesel | | 9973 | 198 | 269 | 02.90-12.92 | ■ | |
| 26.272DFAK (D 2865 LF05) | | Diesel | | 9973 | 198 | 269 | 02.90-12.92 | ■ | |
| 26.272DFK (D 2865 LF02) | | Diesel | | 9973 | 198 | 269 | 02.90-06.96 | ■ | |
| 26.272DFK (D 2865 LF05) | | Diesel | | 9973 | 198 | 269 | 02.90-06.96 | ■ | |

LISTA DE APLICACIONES - BUYERS GUIDE

| | | | | | | |
|--------------------------------------|--------|-------|-----|-----|-------------|---|
| 32.272VFK (D 2865 LF02) | Diesel | 9973 | 198 | 269 | 02.90-04.95 | ■ |
| 32.272VFK (D 2865 LF05) | Diesel | 9973 | 198 | 269 | 02.90-04.95 | ■ |
| 35.272VFK (D 2865 LF02) | Diesel | 9973 | 198 | 269 | 02.90-12.92 | ■ |
| 19.322FAK (D 2865 LF03) | Diesel | 9973 | 235 | 320 | 02.90-06.96 | ■ |
| 19.322FAK (D 2865 LF06) | Diesel | 9973 | 235 | 320 | 02.90-06.96 | ■ |
| 19.322FK (D 2865 LF03) | Diesel | 9973 | 235 | 320 | 02.90-05.95 | ■ |
| 19.322FK (D 2865 LF06) | Diesel | 9973 | 235 | 320 | 02.90-05.95 | ■ |
| 24.322DFK (D 2865 LF03) | Diesel | 9973 | 235 | 320 | 02.90-12.90 | ■ |
| 25.322DFK (D 2865 LF03) | Diesel | 9973 | 235 | 320 | 09.90-12.92 | ■ |
| 25.322DFK (D 2865 LF06) | Diesel | 9973 | 235 | 320 | 09.90-12.92 | ■ |
| 26.322 DFAK (D 2865 LF03) | Diesel | 9973 | 235 | 320 | 02.90-12.92 | ■ |
| 26.322 DFAK (D 2865 LF06) | Diesel | 9973 | 235 | 320 | 02.90-12.92 | ■ |
| 26.322DFK (D 2865 LF03) | Diesel | 9973 | 235 | 320 | 02.92-06.96 | ■ |
| 26.322DFK (D 2865 LF06) | Diesel | 9973 | 235 | 320 | 02.92-06.96 | ■ |
| 32.322VFK (D 2865 LF03) | Diesel | 9973 | 235 | 320 | 02.90-06.96 | ■ |
| 32.322VFK (D 2865 LF06) | Diesel | 9973 | 235 | 320 | 02.90-06.96 | ■ |
| 35.322VFAK (D 2865 LF03) | Diesel | 9973 | 235 | 320 | 02.90-06.96 | ■ |
| 35.322VFAK (D 2865 LF06) | Diesel | 9973 | 235 | 320 | 02.90-06.96 | ■ |
| 35.322VFK (D 2865 LF03) | Diesel | 9973 | 235 | 320 | 02.90-06.96 | ■ |
| 35.322VFK (D 2865 LF06) | Diesel | 9973 | 235 | 320 | 02.90-06.96 | ■ |
| 35.322VFK (D 2865 LF03) | Diesel | 9973 | 235 | 320 | 02.90-06.96 | ■ |
| 35.322VFK (D 2865 LF06) | Diesel | 9973 | 235 | 320 | 02.90-06.96 | ■ |
| 19.342FAK (D 2865 LF09) | Diesel | 9973 | 250 | 340 | 05.94-06.96 | ■ |
| 19.342FK (D 2865 LF09) | Diesel | 9973 | 250 | 340 | 05.94-05.95 | ■ |
| 26.342 DFK,26.342 DFLK (D 2865 LF09) | Diesel | 9973 | 250 | 340 | 05.94-06.96 | ■ |
| 32.342VFK (D 2865 LF09) | Diesel | 9973 | 250 | 340 | 05.94-06.96 | ■ |
| 35.342VFK (D 2865 LF09) | Diesel | 9973 | 250 | 340 | 05.94-06.96 | ■ |
| 19.242FK (D 2866 F/240) | Diesel | 11967 | 177 | 241 | 01.88-02.89 | ■ |
| 24.242DFK (D 2866 F/240) | Diesel | 11967 | 177 | 241 | 01.88-07.89 | ■ |
| 26.242DFAK (D 2866 F/240) | Diesel | 11967 | 177 | 241 | 01.90-01.90 | ■ |
| 26.242DFK (D 2866 F/240) | Diesel | 11967 | 177 | 241 | 02.90-06.97 | ■ |
| 33.242DFAK (D 2866 F/240) | Diesel | 11967 | 177 | 241 | 01.88-08.88 | ■ |
| 33.242DFK (D 2866 F/240) | Diesel | 11967 | 177 | 241 | 01.88-08.88 | ■ |
| 19.292FAK (D 2866 LF/290) | Diesel | 11967 | 213 | 290 | 05.88-02.90 | ■ |
| 19.292FK (D 2866 LF/290) | Diesel | 11967 | 213 | 290 | 07.86-02.90 | ■ |
| 24.292DFK (D 2866 LF/290) | Diesel | 11967 | 213 | 290 | 04.87-02.90 | ■ |
| 26.292DFAK (D 2866 LF/290) | Diesel | 11967 | 213 | 290 | 05.88-02.90 | ■ |
| 26.292DFK (D 2866 LF/290) | Diesel | 11967 | 213 | 290 | 09.87-02.90 | ■ |
| 32.292VFK (D 2866 LF/290) | Diesel | 11967 | 213 | 290 | 03.88-02.90 | ■ |
| 33.292DFAK (D 2866 LF/290) | Diesel | 11967 | 213 | 290 | 05.88-02.90 | ■ |
| 33.292DFK (D 2866 LF/290) | Diesel | 11967 | 213 | 290 | 09.87-02.90 | ■ |
| 35.292VFK (D 2866 LFZ/290) | Diesel | 11967 | 213 | 290 | 10.88-04.95 | ■ |
| 41.292VFK (D 2866 LF/290) | Diesel | 11967 | 213 | 290 | 10.88-02.90 | ■ |
| 24.302DFK (D 2866 LF04) | Diesel | 11967 | 221 | 299 | 05.90-12.90 | ■ |
| 25.302DFK (D 2866 LF04) | Diesel | 11967 | 221 | 299 | 09.90-12.91 | ■ |
| 26.302DFAK (D 2866 LF04) | Diesel | 11967 | 221 | 299 | 05.90-12.91 | ■ |
| 26.302DFK (D 2866 LF04) | Diesel | 11967 | 221 | 299 | 05.90-12.91 | ■ |
| 32.302VFK (D 2866 LF04) | Diesel | 11967 | 221 | 299 | 05.90-09.91 | ■ |
| 35.302VFK (D 2866 LF04) | Diesel | 11967 | 221 | 299 | 05.90-09.91 | ■ |
| 19.332FAK (D 2866 LF/330) | Diesel | 11967 | 243 | 330 | 05.88-02.90 | ■ |
| 19.332FK (D 2866 LF/330) | Diesel | 11967 | 243 | 330 | 07.86-02.90 | ■ |

LISTA DE APLICACIONES - BUYERS GUIDE

| | | | | | | |
|---------------------------------------|--------|-------|-----|-----|-------------|---|
| 24.332DFK (D 2866 LF/330) | Diesel | 11967 | 243 | 330 | 04.87-02.90 | ■ |
| 26.332DFAK (D 2866 LF/330) | Diesel | 11967 | 243 | 330 | 05.88-02.90 | ■ |
| 26.332 DFK (D 2866 LF/330) | Diesel | 11967 | 243 | 330 | 09.87-02.90 | ■ |
| 32.332VFK (D 2866 LF/330) | Diesel | 11967 | 243 | 330 | 03.88-02.90 | ■ |
| 33.332DFAK (D 2866 LF/330) | Diesel | 11967 | 243 | 330 | 05.88-02.90 | ■ |
| 33.332DFK (D 2866 LF/330) | Diesel | 11967 | 243 | 330 | 09.87-02.90 | ■ |
| 35.332VFK (D 2866 LFZ/330) | Diesel | 11967 | 243 | 330 | 10.88-04.95 | ■ |
| 41.332VFK (D 2866 LF/330) | Diesel | 11967 | 243 | 330 | 10.88-02.90 | ■ |
| 19.372FK (D 2866 LXF) | Diesel | 11967 | 249 | 339 | 05.90-04.95 | ■ |
| 24.372DFK (D 2866 LXF) | Diesel | 11967 | 249 | 339 | 05.90-12.90 | ■ |
| 25.372DFK (D 2866 LXF) | Diesel | 11967 | 249 | 339 | 09.90-12.92 | ■ |
| 32.372VFK (D 2866 LXF) | Diesel | 11967 | 249 | 339 | 05.90-04.95 | ■ |
| 35.372VFK (D 2866 LXF) | Diesel | 11967 | 249 | 339 | 02.90-04.95 | ■ |
| 19.362FAK (D 2866 LXF) | Diesel | 11967 | 265 | 360 | 05.88-02.90 | ■ |
| 19.362FK (D 2866 KF) | Diesel | 11967 | 265 | 360 | 07.86-02.90 | ■ |
| 19.362FK (D 2866 LXF) | Diesel | 11967 | 265 | 360 | 07.86-02.90 | ■ |
| 24.362DFK (D 2866 KF) | Diesel | 11967 | 265 | 360 | 04.87-02.90 | ■ |
| 24.362DFK (D 2866 LXF) | Diesel | 11967 | 265 | 360 | 04.87-02.90 | ■ |
| 26.362DFAK (D 2866 LXF) | Diesel | 11967 | 265 | 360 | 05.88-02.90 | ■ |
| 26.362DFK (D 2866 KF) | Diesel | 11967 | 265 | 360 | 09.87-02.90 | ■ |
| 26.362DFK (D 2866 LXF) | Diesel | 11967 | 265 | 360 | 09.87-02.90 | ■ |
| 32.362VFK (D 2866 LXF) | Diesel | 11967 | 265 | 360 | 03.88-02.90 | ■ |
| 33.362DFAK (D 2866 LXF) | Diesel | 11967 | 265 | 360 | 05.88-02.90 | ■ |
| 33.362DFK (D 2866 KF) | Diesel | 11967 | 265 | 360 | 09.87-02.90 | ■ |
| 33.362DFK (D 2866 LXF) | Diesel | 11967 | 265 | 360 | 09.87-02.90 | ■ |
| 35.362VFK (D 2866 LXF) | Diesel | 11967 | 265 | 360 | 10.88-02.90 | ■ |
| 41.362VFK (D 2866 LXF) | Diesel | 11967 | 265 | 360 | 10.88-02.90 | ■ |
| 48.362VFAK (D 2866 LXF) | Diesel | 11967 | 265 | 360 | 07.89-02.90 | ■ |
| 19.372FAK (D 2866 LF03) | Diesel | 11967 | 272 | 370 | 02.90-06.96 | ■ |
| 19.372FAK (D 2866 LF05) | Diesel | 11967 | 272 | 370 | 02.90-06.96 | ■ |
| 19.372FAK (D 2866 LF15) | Diesel | 11967 | 272 | 370 | 02.90-06.96 | ■ |
| 19.372FK (D 2866 LF03) | Diesel | 11967 | 272 | 370 | 02.90-05.95 | ■ |
| 19.372FK (D 2866 LF05) | Diesel | 11967 | 272 | 370 | 02.90-05.95 | ■ |
| 19.372FK (D 2866 LF15) | Diesel | 11967 | 272 | 370 | 02.90-05.95 | ■ |
| 24.372DFK (D 2866 LF03) | Diesel | 11967 | 272 | 370 | 02.90-12.90 | ■ |
| 24.372 DFS, 24.372 DFLS (D 2866 LF03) | Diesel | 11967 | 272 | 370 | 02.90-04.95 | ■ |
| 25.372DFK (D 2866 LF03) | Diesel | 11967 | 272 | 370 | 09.90-12.92 | ■ |
| 25.372DFK (D 2866 LF05) | Diesel | 11967 | 272 | 370 | 09.90-12.92 | ■ |
| 26.372DFAK (D 2866 LF03) | Diesel | 11967 | 272 | 370 | 01.92-06.96 | ■ |
| 26.372DFAK (D 2866 LF05) | Diesel | 11967 | 272 | 370 | 01.92-06.96 | ■ |
| 26.372DFK (D 2866 LF03) | Diesel | 11967 | 272 | 370 | 01.92-06.96 | ■ |
| 26.372DFK (D 2866 LF05) | Diesel | 11967 | 272 | 370 | 01.92-06.96 | ■ |
| 26.372DFK (D 2866 LF15) | Diesel | 11967 | 272 | 370 | 01.92-06.96 | ■ |
| 32.372VFK (D 2866 LF03) | Diesel | 11967 | 272 | 370 | 02.90-06.96 | ■ |
| 32.372VFK (D 2866 LF05) | Diesel | 11967 | 272 | 370 | 02.90-06.96 | ■ |
| 32.372VFK (D 2866 LF15) | Diesel | 11967 | 272 | 370 | 02.90-06.96 | ■ |
| 33.372DFAK (D 2866 LF03) | Diesel | 11967 | 272 | 370 | 01.91-06.96 | ■ |
| 33.372DFAK (D 2866 LF05) | Diesel | 11967 | 272 | 370 | 01.91-06.96 | ■ |
| 33.372DFAK (D 2866 LF15) | Diesel | 11967 | 272 | 370 | 01.91-06.96 | ■ |
| 33.372DFK (D 2866 LF03) | Diesel | 11967 | 272 | 370 | 01.91-06.96 | ■ |
| 33.372DFK (D 2866 LF05) | Diesel | 11967 | 272 | 370 | 01.91-06.96 | ■ |

LISTA DE APLICACIONES - BUYERS GUIDE

| | | | | | | | | |
|---|--|--------|--|-------|-----|-----|-------------|-------------------------|
| 33.372DFK (D 2866 LF15) | | Diesel | | 11967 | 272 | 370 | 01.91-06.96 | ■ |
| 35.372VFK (D 2866 LF03) | | Diesel | | 11967 | 272 | 370 | 02.90-06.96 | ■ |
| 35.372VFK (D 2866 LF05) | | Diesel | | 11967 | 272 | 370 | 02.90-06.96 | ■ |
| 35.372VFK (D 2866 LF15) | | Diesel | | 11967 | 272 | 370 | 02.90-06.96 | ■ |
| 35.372VFK (D 2866 LF03) | | Diesel | | 11967 | 272 | 370 | 02.90-12.97 | ■ |
| 35.372VFK (D 2866 LF05) | | Diesel | | 11967 | 272 | 370 | 02.90-12.97 | ■ |
| 35.372VFK (D 2866 LF15) | | Diesel | | 11967 | 272 | 370 | 02.90-12.97 | ■ |
| 19.402FAK (D 2866 LF16) | | Diesel | | 11967 | 294 | 400 | 05.94-06.96 | ■ |
| 19.402FK (D 2866 LF16) | | Diesel | | 11967 | 294 | 400 | 05.94-05.95 | ■ |
| 26.402 DFK,26.402 DFLK (D 2866 LF16) | | Diesel | | 11967 | 294 | 400 | 05.94-06.96 | ■ |
| 32.402VFK (D 2866 LF16) | | Diesel | | 11967 | 294 | 400 | 05.94-06.96 | ■ |
| 33.402DFAK (D 2866 LF16) | | Diesel | | 11967 | 294 | 400 | 05.94-06.96 | ■ |
| 33.402DFK (D 2866 LF16) | | Diesel | | 11967 | 294 | 400 | 05.94-06.96 | ■ |
| 35.402VFK (D 2866 LF16) | | Diesel | | 11967 | 294 | 400 | 05.94-06.96 | ■ |
| 35.402VFK (D 2866 LF16) | | Diesel | | 11967 | 294 | 400 | 05.94-12.97 | ■ |
| 19.422FAK (D 2866 LF06) | | Diesel | | 11967 | 309 | 420 | 02.90-06.96 | ■ |
| 19.422FAK (D 2866 LF09) | | Diesel | | 11967 | 309 | 420 | 02.90-06.96 | ■ |
| 19.422FK (D 2866 LF06) | | Diesel | | 11967 | 309 | 420 | 02.90-05.95 | ■ |
| 19.422FK (D 2866 LF09) | | Diesel | | 11967 | 309 | 420 | 02.90-05.95 | ■ |
| 24.422DFK (D 2866 LF06) | | Diesel | | 11967 | 309 | 420 | 02.90-12.90 | ■ |
| 25.422DFK (D 2866 LF06) | | Diesel | | 11967 | 309 | 420 | 09.90-12.92 | ■ |
| 25.422DFK (D 2866 LF09) | | Diesel | | 11967 | 309 | 420 | 09.90-12.92 | ■ |
| 26.422DFAK (D 2866 LF06) | | Diesel | | 11967 | 309 | 420 | 02.90-12.92 | ■ |
| 26.422DFAK (D 2866 LF09) | | Diesel | | 11967 | 309 | 420 | 02.90-12.92 | ■ |
| 26.422DFK (D 2866 LF06) | | Diesel | | 11967 | 309 | 420 | 02.90-12.95 | ■ |
| 26.422DFK (D 2866 LF09) | | Diesel | | 11967 | 309 | 420 | 02.90-12.95 | ■ |
| 32.422VFK | | Diesel | | 11967 | 309 | 420 | 02.90-06.96 | ■ |
| 33.422DFAK (D 2866 LF06) | | Diesel | | 11967 | 309 | 420 | 01.94-06.96 | ■ |
| 33.422DFAK (D 2866 LF09) | | Diesel | | 11967 | 309 | 420 | 01.94-06.96 | ■ |
| 33.422DFK (D 2866 LF06) | | Diesel | | 11967 | 309 | 420 | 01.94-06.96 | ■ |
| 33.422DFK (D 2866 LF09) | | Diesel | | 11967 | 309 | 420 | 01.94-06.96 | ■ |
| 35.422VFK (D 2866 LF06) | | Diesel | | 11967 | 309 | 420 | 02.90-06.96 | ■ |
| 35.422VFK (D 2866 LF09) | | Diesel | | 11967 | 309 | 420 | 02.90-06.96 | ■ |
| 35.422VFK (D 2866 LF06) | | Diesel | | 11967 | 309 | 420 | 02.90-12.97 | ■ |
| 35.422VFK (D 2866 LF09) | | Diesel | | 11967 | 309 | 420 | 02.90-12.97 | ■ |
| 19.462FK (D 2840 LF 460) | | Diesel | | 18273 | 338 | 460 | 05.87-02.90 | ■ |
| F90 06.86-12.97 | | | | | | | | Platform/Chassis |
| 15.192 FL (D 2146 HM 1 U) | | Diesel | | 9660 | 141 | 192 | 01.89-12.97 | ■ ■ |
| 19.262 F,19.262 FL,19.262 FLL (D 2865 LF/260) | | Diesel | | 9973 | 191 | 260 | 01.88-02.90 | ■ |
| 19.262FA (D 2865 LF/260) | | Diesel | | 9973 | 191 | 260 | 02.89-02.90 | ■ |
| 24.262DF (D 2865 LF/260) | | Diesel | | 9973 | 191 | 260 | 01.88-02.90 | ■ |
| 24.262 FNL,24.262 FNLL,24.262 FVL (D 2865 LF/260) | | Diesel | | 9973 | 191 | 260 | 01.88-02.90 | ■ |
| 26.262DF (D 2865 LF/260) | | Diesel | | 9973 | 191 | 260 | 01.88-02.90 | ■ |
| 26.262DFA (D 2865 LF/260) | | Diesel | | 9973 | 191 | 260 | 02.89-02.90 | ■ |
| 32.262VF (D 2865 LF/260) | | Diesel | | 9973 | 191 | 260 | 02.89-02.90 | ■ |
| 33.262 DF (D 2865 LF/260) | | Diesel | | 9973 | 191 | 260 | 08.88-02.90 | ■ |
| 33.262 DFA (D 2865 LF/260) | | Diesel | | 9973 | 191 | 260 | 07.89-02.90 | ■ |
| 35.262VF (D 2865 LF/260) | | Diesel | | 9973 | 191 | 260 | 02.89-02.90 | ■ |
| 35.262VFA (D 2865 LF/260) | | Diesel | | 9973 | 191 | 260 | 07.89-02.90 | ■ |
| 41.262VF (D 2865 LF/260) | | Diesel | | 9973 | 191 | 260 | 07.89-02.90 | ■ |

LISTA DE APLICACIONES - BUYERS GUIDE

| | | | | | | |
|---|--------|------|-----|-----|-------------|-----|
| 19.272 F,19.272 FL,19.272 FLL (D 2865 LF02) | Diesel | 9973 | 198 | 269 | 02.90-05.95 | ■ |
| 19.272 F,19.272 FL,19.272 FLL (D 2865 LF05) | Diesel | 9973 | 198 | 269 | 02.90-05.95 | ■ |
| 19.272FA (D 2865 LF02) | Diesel | 9973 | 198 | 269 | 02.90-05.95 | ■ |
| 19.272FA (D 2865 LF05) | Diesel | 9973 | 198 | 269 | 02.90-05.95 | ■ |
| 24.272DF (D 2865 LF02) | Diesel | 9973 | 198 | 269 | 02.90-12.90 | ■ |
| 24.272 FNL,24.272 FNLL,24.272 FVL (D 2865 LF02) | Diesel | 9973 | 198 | 269 | 02.90-05.95 | ■ |
| 24.272 FNL,24.272 FNLL,24.272 FVL (D 2865 LF05) | Diesel | 9973 | 198 | 269 | 02.90-05.95 | ■ |
| 24.272 FNL,24.272 FNLL,24.272 FVL | Diesel | 9973 | 198 | 269 | 02.90-05.95 | ■ ■ |
| 25.272DF (D 2865 LF02) | Diesel | 9973 | 198 | 269 | 09.90-12.92 | ■ |
| 25.272DF (D 2865 LF05) | Diesel | 9973 | 198 | 269 | 09.90-12.92 | ■ |
| 25.272 FNL,25.272 FNLL,25.272 FVL (D 2865 LF02) | Diesel | 9973 | 198 | 269 | 09.90-10.93 | ■ |
| 25.272 FNL,25.272 FNLL,25.272 FVL (D 2865 LF05) | Diesel | 9973 | 198 | 269 | 09.90-10.93 | ■ |
| 25.272 FNL,25.272 FNLL,25.272 FVL | Diesel | 9973 | 198 | 269 | 09.90-10.93 | ■ ■ |
| 26.272DF (D 2865 LF02) | Diesel | 9973 | 198 | 269 | 02.90-06.96 | ■ |
| 26.272DF (D 2865 LF05) | Diesel | 9973 | 198 | 269 | 02.90-06.96 | ■ |
| 26.272DFA (D 2865 LF02) | Diesel | 9973 | 198 | 269 | 02.90-12.92 | ■ |
| 26.272DFA (D 2865 LF05) | Diesel | 9973 | 198 | 269 | 02.90-12.92 | ■ |
| 26.272 FNL,26.272 FNLL (D 2865 LF05) | Diesel | 9973 | 198 | 269 | 03.91-05.95 | ■ |
| 32.272VF (D 2865 LF02) | Diesel | 9973 | 198 | 269 | 02.90-04.95 | ■ |
| 32.272VF (D 2865 LF05) | Diesel | 9973 | 198 | 269 | 02.90-04.95 | ■ |
| 33.272 DF (D 2865 LF05) | Diesel | 9973 | 198 | 269 | 10.92-04.95 | ■ |
| 33.272DFA (D 2865 LF05) | Diesel | 9973 | 198 | 269 | 10.92-04.95 | ■ |
| 35.272VF (D 2865 LF02) | Diesel | 9973 | 198 | 269 | 02.90-12.91 | ■ |
| 41.272VF (D 2865 LF02) | Diesel | 9973 | 198 | 269 | 02.90-12.91 | ■ |
| 19.322 F,19.322 FL,19.322 FLL (D 2865 LF03) | Diesel | 9973 | 235 | 320 | 02.90-05.95 | ■ |
| 19.322 F,19.322 FL,19.322 FLL (D 2865 LF06) | Diesel | 9973 | 235 | 320 | 02.90-05.95 | ■ |
| 19.322FA (D 2865 LF03) | Diesel | 9973 | 235 | 320 | 02.90-06.96 | ■ |
| 19.322FA (D 2865 LF06) | Diesel | 9973 | 235 | 320 | 02.90-06.96 | ■ |
| 24.322DF (D 2865 LF03) | Diesel | 9973 | 235 | 320 | 02.90-12.90 | ■ |
| 24.322 FNL,24.322 FNLL,24.322 FVL (D 2865 LF03) | Diesel | 9973 | 235 | 320 | 02.90-05.95 | ■ |
| 24.322 FNL,24.322 FNLL,24.322 FVL (D 2865 LF06) | Diesel | 9973 | 235 | 320 | 02.90-05.95 | ■ |
| 24.322 FNL,24.322 FNLL,24.322 FVL | Diesel | 9973 | 235 | 320 | 02.90-05.95 | ■ ■ |
| 25.322 DF, 25.322 DFL (D 2865 LF03) | Diesel | 9973 | 235 | 320 | 09.90-12.92 | ■ |
| 25.322 DF, 25.322 DFL (D 2865 LF06) | Diesel | 9973 | 235 | 320 | 09.90-12.92 | ■ |
| 25.322 FNL, 25.322 FNLL, 25.322 FVL (D 2865 LF03) | Diesel | 9973 | 235 | 320 | 09.90-12.92 | ■ |
| 25.322 FNL, 25.322 FNLL, 25.322 FVL (D 2865 LF06) | Diesel | 9973 | 235 | 320 | 09.90-12.92 | ■ |
| 26.322DF (D 2865 LF03) | Diesel | 9973 | 235 | 320 | 02.90-06.96 | ■ |
| 26.322DF (D 2865 LF06) | Diesel | 9973 | 235 | 320 | 02.90-06.96 | ■ |
| 26.322DFA (D 2865 LF03) | Diesel | 9973 | 235 | 320 | 02.90-12.92 | ■ |
| 26.322DFA (D 2865 LF06) | Diesel | 9973 | 235 | 320 | 02.90-12.92 | ■ |
| 26.322 FNL,26.322 FNLL (D 2865 LF03) | Diesel | 9973 | 235 | 320 | 03.91-05.95 | ■ |
| 26.322 FNL,26.322 FNLL (D 2865 LF06) | Diesel | 9973 | 235 | 320 | 03.91-05.95 | ■ |
| 32.322VF (D 2865 LF03) | Diesel | 9973 | 235 | 320 | 02.90-06.96 | ■ |
| 32.322VF (D 2865 LF06) | Diesel | 9973 | 235 | 320 | 02.90-06.96 | ■ |
| 33.322 DF (D 2865 LF03) | Diesel | 9973 | 235 | 320 | 09.91-06.96 | ■ |
| 33.322 DF (D 2865 LF06) | Diesel | 9973 | 235 | 320 | 09.91-06.96 | ■ |
| 33.322DFA (D 2865 LF03) | Diesel | 9973 | 235 | 320 | 09.91-06.96 | ■ |
| 33.322DFA (D 2865 LF06) | Diesel | 9973 | 235 | 320 | 09.91-06.96 | ■ |

LISTA DE APLICACIONES - BUYERS GUIDE

| | | | | | | | | |
|---|--|--------|--|-------|-----|-----|-------------|-----|
| 35.322 VK (D 2865 LF03) | | Diesel | | 9973 | 235 | 320 | 02.90-06.96 | ■ |
| 35.322 VK (D 2865 LF06) | | Diesel | | 9973 | 235 | 320 | 02.90-06.96 | ■ |
| 41.322VF (D 2865 LF03) | | Diesel | | 9973 | 235 | 320 | 02.90-06.96 | ■ |
| 41.322VF (D 2865 LF06) | | Diesel | | 9973 | 235 | 320 | 02.90-06.96 | ■ |
| 19.342 F,19.342 FL,19.342 FLL (D 2865 LF09) | | Diesel | | 9973 | 250 | 340 | 05.94-05.95 | ■ |
| 19.342FA (D 2865 LF09) | | Diesel | | 9973 | 250 | 340 | 05.94-06.96 | ■ |
| 24.342 FNL,24.342 FNLL (D 2865 LF09) | | Diesel | | 9973 | 250 | 340 | 05.94-05.95 | ■ |
| 26.342 DF,26.342 DFL (D 2865 LF09) | | Diesel | | 9973 | 250 | 340 | 05.94-06.96 | ■ |
| 33.342 DF (D 2865 LF09) | | Diesel | | 9973 | 250 | 340 | 05.94-06.96 | ■ |
| 33.342DFA (D 2865 LF09) | | Diesel | | 9973 | 250 | 340 | 05.94-06.96 | ■ |
| 35.342VF (D 2865 LF09) | | Diesel | | 9973 | 250 | 340 | 05.94-06.96 | ■ |
| 41.342VF (D 2865 LF09) | | Diesel | | 9973 | 250 | 340 | 05.94-06.96 | ■ |
| 19.242 F,19.242 FL,19.242 FLL (D 2866 F/240) | | Diesel | | 11967 | 177 | 241 | 01.88-01.89 | ■ |
| 24.242DF (D 2866 F/240) | | Diesel | | 11967 | 177 | 241 | 01.88-07.89 | ■ |
| 24.242 FNL,24.242 FNLL,24.242 FVL (D 2866 F/240) | | Diesel | | 11967 | 177 | 241 | 01.88-02.90 | ■ |
| 26.242DF (D 2866 F/240) | | Diesel | | 11967 | 177 | 241 | 02.90-06.97 | ■ |
| 19.292 F,19.292 FL,19.292 FLL (D 2866 LF/290) | | Diesel | | 11967 | 213 | 290 | 07.86-02.90 | ■ |
| 19.292FA (D 2866 LF/290) | | Diesel | | 11967 | 213 | 290 | 05.88-02.90 | ■ |
| 24.292DF (D 2866 LF/290) | | Diesel | | 11967 | 213 | 290 | 04.87-02.90 | ■ |
| 24.292 FNL,24.292 FNLL,24.292 FVL (D 2866 LF/290) | | Diesel | | 11967 | 213 | 290 | 10.86-02.90 | ■ |
| 26.292 DF, 26.292 DFL (D 2866 LF/290) | | Diesel | | 11967 | 213 | 290 | 09.87-02.90 | ■ |
| 26.292DFA (D 2866 LF/290) | | Diesel | | 11967 | 213 | 290 | 05.88-02.90 | ■ |
| 32.292VF (D 2866 LF/290) | | Diesel | | 11967 | 213 | 290 | 03.88-02.90 | ■ |
| 33.292 DF (D 2866 LF/290) | | Diesel | | 11967 | 213 | 290 | 09.87-02.90 | ■ |
| 33.292DFA (D 2866 LF/290) | | Diesel | | 11967 | 213 | 290 | 05.88-02.90 | ■ |
| 35.292VF (D 2866 LFZ/290) | | Diesel | | 11967 | 213 | 290 | 10.88-04.95 | ■ |
| 41.292VF (D 2866 LF/290) | | Diesel | | 11967 | 213 | 290 | 10.88-02.90 | ■ |
| 24.302DF (D 2866 LF04) | | Diesel | | 11967 | 221 | 299 | 05.90-12.90 | ■ |
| 24.302 FNL,24.302 FNLL,24.302 FVL (D 2866 LF04) | | Diesel | | 11967 | 221 | 299 | 05.90-10.90 | ■ |
| 24.302 FNL,24.302 FNLL,24.302 FVL | | Diesel | | 11967 | 221 | 299 | 05.90-10.90 | ■ ■ |
| 25.302DF (D 2866 LF04) | | Diesel | | 11967 | 221 | 299 | 09.90-12.91 | ■ |
| 25.302 FNL, 25.302 FNLL, 25.302 FVL (D 2866 LF04) | | Diesel | | 11967 | 221 | 299 | 09.90-12.91 | ■ |
| 26.302DF (D 2866 LF04) | | Diesel | | 11967 | 221 | 299 | 05.90-12.91 | ■ |
| 26.302DFA (D 2866 LF04) | | Diesel | | 11967 | 221 | 299 | 05.90-12.91 | ■ |
| 26.302 FNL, 26.302 FNLL, 26.302 FVL (D 2866 LF04) | | Diesel | | 11967 | 221 | 299 | 03.91-12.91 | ■ |
| 32.302VF (D 2866 LF04) | | Diesel | | 11967 | 221 | 299 | 05.90-09.91 | ■ |
| 35.302VF (D 2866 LF04) | | Diesel | | 11967 | 221 | 299 | 05.90-09.91 | ■ |
| 19.332 F,19.332 FL,19.332 FLL (D 2866 LF/330) | | Diesel | | 11967 | 243 | 330 | 07.86-02.90 | ■ |
| 19.332FA (D 2866 LF/330) | | Diesel | | 11967 | 243 | 330 | 05.88-02.90 | ■ |
| 24.332DF (D 2866 LF/330) | | Diesel | | 11967 | 243 | 330 | 04.87-02.90 | ■ |
| 24.332 FNL,24.332 FNLL,24.332 FVL (D 2866 LF/330) | | Diesel | | 11967 | 243 | 330 | 10.86-02.90 | ■ |
| 26.332 DF, 26.332 DFL (D 2866 LF/330) | | Diesel | | 11967 | 243 | 330 | 09.87-02.90 | ■ |
| 26.332DFA (D 2866 LF/330) | | Diesel | | 11967 | 243 | 330 | 05.88-02.90 | ■ |
| 32.332VF (D 2866 LF/330) | | Diesel | | 11967 | 243 | 330 | 03.88-02.90 | ■ |
| 33.332DFA (D 2866 LF/330) | | Diesel | | 11967 | 243 | 330 | 05.88-02.90 | ■ |
| 35.332VF (D 2866 LFZ/330) | | Diesel | | 11967 | 243 | 330 | 10.88-04.95 | ■ |
| 41.332VF (D 2866 LF/330) | | Diesel | | 11967 | 243 | 330 | 10.88-02.90 | ■ |
| 19.372 F,19.372 FL,19.372 FLL (D 2866 LXF) | | Diesel | | 11967 | 249 | 339 | 05.90-04.95 | ■ |

LISTA DE APLICACIONES - BUYERS GUIDE

| | | | | | | |
|---|--------|-------|-----|-----|-------------|-----|
| 24.372DF (D 2866 LXF) | Diesel | 11967 | 249 | 339 | 05.90-12.90 | ■ |
| 24.372FVL (D 2866 LXF) | Diesel | 11967 | 249 | 339 | 05.90-12.90 | ■ |
| 25.372DF (D 2866 LXF) | Diesel | 11967 | 249 | 339 | 09.90-12.92 | ■ |
| 32.372VF (D 2866 LXF) | Diesel | 11967 | 249 | 339 | 02.90-06.96 | ■ |
| 35.372VF (D 2866 LXF) | Diesel | 11967 | 249 | 339 | 02.90-04.95 | ■ |
| 19.362 F,19.362 FL,19.362 FLL (D 2866 KF) | Diesel | 11967 | 265 | 360 | 07.86-02.90 | ■ |
| 19.362 F,19.362 FL,19.362 FLL (D 2866 LXF) | Diesel | 11967 | 265 | 360 | 07.86-02.90 | ■ |
| 19.362FA (D 2866 LXF) | Diesel | 11967 | 265 | 360 | 05.88-02.90 | ■ |
| 24.362DF (D 2866 KF) | Diesel | 11967 | 265 | 360 | 04.87-02.90 | ■ |
| 24.362DF (D 2866 LXF) | Diesel | 11967 | 265 | 360 | 04.87-02.90 | ■ |
| 24.362 FNL,24.362 FNLL,24.362 FVL (D 2866 KF) | Diesel | 11967 | 265 | 360 | 10.86-02.90 | ■ |
| 24.362 FNL,24.362 FNLL,24.362 FVL (D 2866 LXF) | Diesel | 11967 | 265 | 360 | 10.86-02.90 | ■ |
| 26.362 DF, 26.362 DFL (D 2866 KF) | Diesel | 11967 | 265 | 360 | 09.87-02.90 | ■ |
| 26.362 DF, 26.362 DFL (D 2866 LXF) | Diesel | 11967 | 265 | 360 | 09.87-02.90 | ■ |
| 26.362DFA (D 2866 LXF) | Diesel | 11967 | 265 | 360 | 05.88-02.90 | ■ |
| 32.362VF (D 2866 LXF) | Diesel | 11967 | 265 | 360 | 03.88-02.90 | ■ |
| 33.362 DF (D 2866 KF) | Diesel | 11967 | 265 | 360 | 09.87-02.90 | ■ |
| 33.362 DF (D 2866 LXF) | Diesel | 11967 | 265 | 360 | 09.87-02.90 | ■ |
| 33.362DFA (D 2866 LXF) | Diesel | 11967 | 265 | 360 | 05.88-02.90 | ■ |
| 35.362VF (D 2866 LXF) | Diesel | 11967 | 265 | 360 | 10.88-02.90 | ■ |
| 41.362VF (D 2866 LXF) | Diesel | 11967 | 265 | 360 | 10.88-02.90 | ■ |
| 48.362VF (D 2866 LXF) | Diesel | 11967 | 265 | 360 | 07.89-02.90 | ■ |
| 48.362VFA (D 2866 LXF) | Diesel | 11967 | 265 | 360 | 07.89-02.90 | ■ |
| 19.372 F,19.372 FL,19.372 FLL (D 2866 LF03) | Diesel | 11967 | 272 | 370 | 02.90-05.95 | ■ |
| 19.372 F,19.372 FL,19.372 FLL (D 2866 LF05) | Diesel | 11967 | 272 | 370 | 02.90-05.95 | ■ |
| 19.372 F,19.372 FL,19.372 FLL (D 2866 LF15) | Diesel | 11967 | 272 | 370 | 02.90-05.95 | ■ |
| 19.372FA (D 2866 LF03) | Diesel | 11967 | 272 | 370 | 02.90-06.96 | ■ |
| 19.372FA (D 2866 LF05) | Diesel | 11967 | 272 | 370 | 02.90-06.96 | ■ |
| 19.372FA (D 2866 LF15) | Diesel | 11967 | 272 | 370 | 02.90-06.96 | ■ |
| 19.372FAS (D 2866 LF03) | Diesel | 11967 | 272 | 370 | 02.90-06.96 | ■ |
| 19.372FAS (D 2866 LF05) | Diesel | 11967 | 272 | 370 | 02.90-06.96 | ■ |
| 19.372FAS (D 2866 LF15) | Diesel | 11967 | 272 | 370 | 02.90-06.96 | ■ |
| 24.372DF (D 2866 LF03) | Diesel | 11967 | 272 | 370 | 02.90-12.90 | ■ |
| 24.372 FNL,24.372 FNLL,24.372 FVL (D 2866 LF03) | Diesel | 11967 | 272 | 370 | 02.90-05.95 | ■ |
| 24.372 FNL,24.372 FNLL,24.372 FVL (D 2866 LF15) | Diesel | 11967 | 272 | 370 | 02.90-05.95 | ■ |
| 24.372 FNL,24.372 FNLL,24.372 FVL | Diesel | 11967 | 272 | 370 | 02.90-05.95 | ■ ■ |
| 25.372DF (D 2866 LF03) | Diesel | 11967 | 272 | 370 | 09.90-12.92 | ■ |
| 25.372DF (D 2866 LF05) | Diesel | 11967 | 272 | 370 | 09.90-12.92 | ■ |
| 25.372 FNL, 25.372 FNLL, 25.372 FVL (D 2866 LF03) | Diesel | 11967 | 272 | 370 | 09.90-12.92 | ■ |
| 25.372 FNL, 25.372 FNLL, 25.372 FVL (D 2866 LF05) | Diesel | 11967 | 272 | 370 | 09.90-12.92 | ■ |
| 26.372 DF,26.372 DFL (D 2866 LF03) | Diesel | 11967 | 272 | 370 | 02.90-06.96 | ■ |
| 26.372 DF,26.372 DFL (D 2866 LF05) | Diesel | 11967 | 272 | 370 | 02.90-06.96 | ■ |
| 26.372 DF,26.372 DFL (D 2866 LF15) | Diesel | 11967 | 272 | 370 | 02.90-06.96 | ■ |
| 26.372DFA (D 2866 LF03) | Diesel | 11967 | 272 | 370 | 02.90-12.92 | ■ |
| 26.372DFA (D 2866 LF05) | Diesel | 11967 | 272 | 370 | 02.90-12.92 | ■ |
| 26.372 FNL,26.372 FNLL,26.372 FVL (D 2866 LF03) | Diesel | 11967 | 272 | 370 | 09.90-12.95 | ■ |
| 26.372 FNL,26.372 FNLL,26.372 FVL (D 2866 LF05) | Diesel | 11967 | 272 | 370 | 09.90-12.95 | ■ |

LISTA DE APLICACIONES - BUYERS GUIDE

| | | | | | | | |
|---|--------|--|-------|-----|-----|-------------|-----|
| 26.372 FNL,26.372 FNLL,26.372 FVL (D 2866 LF15) | Diesel | | 11967 | 272 | 370 | 09.90-12.95 | ■ |
| 26.372 FNL,26.372 FNLL,26.372 FVL | Diesel | | 11967 | 272 | 370 | 09.90-12.95 | ■ ■ |
| 32.372VF (D 2866 LF03) | Diesel | | 11967 | 272 | 370 | 02.90-06.96 | ■ |
| 32.372VF (D 2866 LF05) | Diesel | | 11967 | 272 | 370 | 02.90-06.96 | ■ |
| 32.372VF (D 2866 LF15) | Diesel | | 11967 | 272 | 370 | 02.90-06.96 | ■ |
| 33.372 DF (D 2866 LF03) | Diesel | | 11967 | 272 | 370 | 09.91-06.96 | ■ |
| 33.372 DF (D 2866 LF05) | Diesel | | 11967 | 272 | 370 | 09.91-06.96 | ■ |
| 33.372 DF (D 2866 LF15) | Diesel | | 11967 | 272 | 370 | 09.91-06.96 | ■ |
| 33.372DFA (D 2866 LF03) | Diesel | | 11967 | 272 | 370 | 09.91-06.96 | ■ |
| 33.372DFA (D 2866 LF05) | Diesel | | 11967 | 272 | 370 | 09.91-06.96 | ■ |
| 33.372DFA (D 2866 LF15) | Diesel | | 11967 | 272 | 370 | 09.91-06.96 | ■ |
| 35.372VF (D 2866 LF03) | Diesel | | 11967 | 272 | 370 | 02.90-06.96 | ■ |
| 35.372VF (D 2866 LF05) | Diesel | | 11967 | 272 | 370 | 02.90-06.96 | ■ |
| 35.372VF (D 2866 LF15) | Diesel | | 11967 | 272 | 370 | 02.90-06.96 | ■ |
| 35.372VF (D 2866 LF03) | Diesel | | 11967 | 272 | 370 | 02.90-12.97 | ■ |
| 35.372VF (D 2866 LF05) | Diesel | | 11967 | 272 | 370 | 02.90-12.97 | ■ |
| 35.372VF (D 2866 LF15) | Diesel | | 11967 | 272 | 370 | 02.90-12.97 | ■ |
| 40.372DF (D 2866 LF03) | Diesel | | 11967 | 272 | 370 | 12.91-06.96 | ■ |
| 40.372DF (D 2866 LF05) | Diesel | | 11967 | 272 | 370 | 12.91-06.96 | ■ |
| 40.372DF (D 2866 LF15) | Diesel | | 11967 | 272 | 370 | 12.91-06.96 | ■ |
| 40.372DFA (D 2866 LF03) | Diesel | | 11967 | 272 | 370 | 12.91-06.96 | ■ |
| 40.372DFA (D 2866 LF05) | Diesel | | 11967 | 272 | 370 | 12.91-06.96 | ■ |
| 40.372DFA (D 2866 LF15) | Diesel | | 11967 | 272 | 370 | 12.91-06.96 | ■ |
| 41.372VF (D 2866 LF03) | Diesel | | 11967 | 272 | 370 | 02.90-06.96 | ■ |
| 41.372VF (D 2866 LF05) | Diesel | | 11967 | 272 | 370 | 02.90-06.96 | ■ |
| 41.372VF (D 2866 LF15) | Diesel | | 11967 | 272 | 370 | 02.90-06.96 | ■ |
| 19.402 F,19.402 FL,19.402 FLL (D 2866 LF16) | Diesel | | 11967 | 294 | 400 | 05.94-05.95 | ■ |
| 19.402 FA (D 2866 LF16) | Diesel | | 11967 | 294 | 400 | 05.94-06.96 | ■ |
| 24.402 FNL,24.402 FNLL (D 2866 LF16) | Diesel | | 11967 | 294 | 400 | 05.94-05.95 | ■ |
| 26.402 DF,26.402 DFL (D 2866 LF16) | Diesel | | 11967 | 294 | 400 | 05.94-06.96 | ■ |
| 26.402 FNL,26.402 FNLL,26.402 FVL (D 2866 LF16) | Diesel | | 11967 | 294 | 400 | 05.94-06.96 | ■ |
| 26.402 FNL,26.402 FNLL,26.402 FVL | Diesel | | 11967 | 294 | 400 | 05.94-06.96 | ■ ■ |
| 33.402 DF (D 2866 LF16) | Diesel | | 11967 | 294 | 400 | 05.94-06.96 | ■ |
| 33.402DFA (D 2866 LF16) | Diesel | | 11967 | 294 | 400 | 05.94-06.96 | ■ |
| 35.402VF (D 2866 LF16) | Diesel | | 11967 | 294 | 400 | 05.94-06.96 | ■ |
| 35.402VF (D 2866 LF16) | Diesel | | 11967 | 294 | 400 | 05.94-12.97 | ■ |
| 40.402DF (D 2866 LF16) | Diesel | | 11967 | 294 | 400 | 05.95-06.96 | ■ |
| 40.402DFA (D 2866 LF16) | Diesel | | 11967 | 294 | 400 | 05.95-06.96 | ■ |
| 41.402 VF (D 2866 LF16) | Diesel | | 11967 | 294 | 400 | 05.94-06.96 | ■ |
| 19.422 F,19.422 FL,19.422 FLL (D 2866 LF06) | Diesel | | 11967 | 309 | 420 | 02.90-05.95 | ■ |
| 19.422 F,19.422 FL,19.422 FLL (D 2866 LF09) | Diesel | | 11967 | 309 | 420 | 02.90-05.95 | ■ |
| 19.422 F,19.422 FL,19.422 FLL (D 2866 LF10) | Diesel | | 11967 | 309 | 420 | 02.90-05.95 | ■ |
| 19.422FA (D 2866 LF06) | Diesel | | 11967 | 309 | 420 | 02.90-06.96 | ■ |
| 19.422FA (D 2866 LF09) | Diesel | | 11967 | 309 | 420 | 02.90-06.96 | ■ |
| 24.422DF (D 2866 LF06) | Diesel | | 11967 | 309 | 420 | 02.90-12.90 | ■ |
| 24.422 FNL,24.422 FNLL,24.422 FVL (D 2866 LF06) | Diesel | | 11967 | 309 | 420 | 02.90-05.95 | ■ |
| 24.422 FNL,24.422 FNLL,24.422 FVL (D 2866 LF09) | Diesel | | 11967 | 309 | 420 | 02.90-05.95 | ■ |
| 24.422 FNL,24.422 FNLL,24.422 FVL | Diesel | | 11967 | 309 | 420 | 02.90-05.95 | ■ ■ |
| 25.422DF (D 2866 LF06) | Diesel | | 11967 | 309 | 420 | 09.90-12.92 | ■ |
| 25.422DF (D 2866 LF09) | Diesel | | 11967 | 309 | 420 | 09.90-12.92 | ■ |

LISTA DE APLICACIONES - BUYERS GUIDE

| | | | | | | | |
|--|--------|-------|-----|-----|-------------|-----|----------------------|
| 25.422 FNL,25.422 FNLL (D 2866 LF06) | Diesel | 11967 | 309 | 420 | 09.90-12.92 | ■ | |
| 25.422 FNL,25.422 FNLL (D 2866 LF09) | Diesel | 11967 | 309 | 420 | 09.90-12.92 | ■ | |
| 26.422 DF,26.422 DFL (D 2866 LF06) | Diesel | 11967 | 309 | 420 | 02.90-06.96 | ■ | |
| 26.422 DF,26.422 DFL (D 2866 LF09) | Diesel | 11967 | 309 | 420 | 02.90-06.96 | ■ | |
| 26.422DFA (D 2866 LF06) | Diesel | 11967 | 309 | 420 | 02.90-12.92 | ■ | |
| 26.422DFA (D 2866 LF09) | Diesel | 11967 | 309 | 420 | 02.90-12.92 | ■ | |
| 26.422 FNL,26.422 FNLL,26.422 FVL (D 2866 LF06) | Diesel | 11967 | 309 | 420 | 09.90-12.95 | ■ | |
| 26.422 FNL,26.422 FNLL,26.422 FVL (D 2866 LF09) | Diesel | 11967 | 309 | 420 | 09.90-12.95 | ■ | |
| 26.422 FNL,26.422 FNLL,26.422 FVL | Diesel | 11967 | 309 | 420 | 09.90-12.95 | ■ ■ | |
| 32.422VF (D 2866 LF06) | Diesel | 11967 | 309 | 420 | 02.90-06.96 | ■ | |
| 32.422VF (D 2866 LF09) | Diesel | 11967 | 309 | 420 | 02.90-06.96 | ■ | |
| 33.422 DF (D 2866 LF06) | Diesel | 11967 | 309 | 420 | 09.91-06.96 | ■ | |
| 33.422 DF (D 2866 LF09) | Diesel | 11967 | 309 | 420 | 09.91-06.96 | ■ | |
| 33.422DFA (D 2866 LF06) | Diesel | 11967 | 309 | 420 | 09.91-06.96 | ■ | |
| 33.422DFA (D 2866 LF09) | Diesel | 11967 | 309 | 420 | 09.91-06.96 | ■ | |
| 35.422VF (D 2866 LF06) | Diesel | 11967 | 309 | 420 | 02.90-06.96 | ■ | |
| 35.422VF (D 2866 LF09) | Diesel | 11967 | 309 | 420 | 02.90-06.96 | ■ | |
| 35.422VF (D 2866 LF06) | Diesel | 11967 | 309 | 420 | 02.90-12.97 | ■ | |
| 35.422VF (D 2866 LF09) | Diesel | 11967 | 309 | 420 | 02.90-12.97 | ■ | |
| 40.422DF (D 2866 LF06) | Diesel | 11967 | 309 | 420 | 12.91-06.96 | ■ | |
| 40.422DF (D 2866 LF09) | Diesel | 11967 | 309 | 420 | 12.91-06.96 | ■ | |
| 40.422DFA (D 2866 LF06) | Diesel | 11967 | 309 | 420 | 12.91-06.96 | ■ | |
| 40.422DFA (D 2866 LF09) | Diesel | 11967 | 309 | 420 | 12.91-06.96 | ■ | |
| 41.422VF (D 2866 LF06) | Diesel | 11967 | 309 | 420 | 02.90-06.96 | ■ | |
| 41.422VF (D 2866 LF09) | Diesel | 11967 | 309 | 420 | 02.90-06.96 | ■ | |
| 19.462 F,19.462 FL (D 2840 LF 460) | Diesel | 18273 | 338 | 460 | 05.87-02.90 | ■ | |
| 24.462DF (D 2840 LF 460) | Diesel | 18273 | 338 | 460 | 02.89-02.90 | ■ | |
| 24.462FNL (D 2840 LF 460) | Diesel | 18273 | 338 | 460 | 04.89-02.90 | ■ | |
| 26.462DF (D 2840 LF 460) | Diesel | 18273 | 338 | 460 | 02.89-02.90 | ■ | |
| 26.462DFA (D 2840 LF 460) | Diesel | 18273 | 338 | 460 | 08.89-02.90 | ■ | |
| 33.462 DF (D 2840 LF 460) | Diesel | 18273 | 338 | 460 | 07.89-02.90 | ■ | |
| 33.462DFA (D 2840 LF 460) | Diesel | 18273 | 338 | 460 | 07.89-02.90 | ■ | |
| 40.462DFA (D 2840 LF 460) | Diesel | 18273 | 338 | 460 | 07.89-02.90 | ■ | |
| 25.502FNL (D 2840 LF01) | Diesel | 18273 | 368 | 500 | 09.90-12.92 | ■ | |
| 25.502FNL (D 2840 LF04) | Diesel | 18273 | 368 | 500 | 09.90-12.92 | ■ | |
| 26.502 DFA (D 2840 LF01) | Diesel | 18273 | 368 | 500 | 02.90-12.92 | ■ | |
| 26.502 DFA (D 2840 LF04) | Diesel | 18273 | 368 | 500 | 02.90-12.92 | ■ | |
| 33.502DFA (D 2840 LF01) | Diesel | 18273 | 368 | 500 | 09.91-06.96 | ■ | |
| 33.502DFA (D 2840 LF04) | Diesel | 18273 | 368 | 500 | 09.91-06.96 | ■ | |
| 33.502DFA (D 2840 LF06) | Diesel | 18273 | 368 | 500 | 09.91-06.96 | ■ | |
| 40.502DFA (D 2840 LF01) | Diesel | 18273 | 368 | 500 | 02.90-06.96 | ■ | |
| 40.502DFA (D 2840 LF04) | Diesel | 18273 | 368 | 500 | 02.90-06.96 | ■ | |
| 40.502DFA (D 2840 LF06) | Diesel | 18273 | 368 | 500 | 02.90-06.96 | ■ | |
| F90 06.86-12.97 | | | | | | | Truck Tractor |
| 19.262FAS (D 2865 LF/260) | Diesel | 9973 | 191 | 260 | 02.89-02.90 | ■ | |
| 19.262 FS,19.262 FLS,19.262 FLLS (D 2865 LF/260) | Diesel | 9973 | 191 | 260 | 01.88-02.90 | ■ | |
| 24.262 DFS,24.262 DFSL (D 2865 LF/260) | Diesel | 9973 | 191 | 260 | 01.88-02.90 | ■ | |
| 26.262DFAS (D 2865 LF/260) | Diesel | 9973 | 191 | 260 | 02.89-02.90 | ■ | |
| 26.262DFS (D 2865 LF/260) | Diesel | 9973 | 191 | 260 | 01.88-02.90 | ■ | |
| 19.272FAS (D 2865 LF02) | Diesel | 9973 | 198 | 269 | 02.90-05.95 | ■ | |

LISTA DE APLICACIONES - BUYERS GUIDE

| | | | | | | |
|--|--------|-------|-----|-----|-------------|-----|
| 19.272FAS (D 2865 LF05) | Diesel | 9973 | 198 | 269 | 02.90-05.95 | ■ |
| 19.272 FS,19.272 FLS,19.272 FLLS (D 2865 LF02) | Diesel | 9973 | 198 | 269 | 02.90-05.95 | ■ |
| 19.272 FS,19.272 FLS,19.272 FLLS (D 2865 LF05) | Diesel | 9973 | 198 | 269 | 02.90-05.95 | ■ |
| 24.272 DFS,24.272 DFLS (D 2865 LF02) | Diesel | 9973 | 198 | 269 | 02.90-04.95 | ■ |
| 24.272 FNLS,24.272 FVLS (D 2865 LF02) | Diesel | 9973 | 198 | 269 | 02.90-05.95 | ■ |
| 24.272 FNLS,24.272 FVLS (D 2865 LF05) | Diesel | 9973 | 198 | 269 | 02.90-05.95 | ■ |
| 24.272 FNLS,24.272 FVLS | Diesel | 9973 | 198 | 269 | 02.90-05.95 | ■ ■ |
| 25.272 DFS,25.272 DFLS (D 2865 LF02) | Diesel | 9973 | 198 | 269 | 09.90-12.92 | ■ |
| 25.272 DFS,25.272 DFLS (D 2865 LF05) | Diesel | 9973 | 198 | 269 | 09.90-12.92 | ■ |
| 26.272DFAS (D 2865 LF02) | Diesel | 9973 | 198 | 269 | 02.90-12.92 | ■ |
| 26.272DFAS (D 2865 LF05) | Diesel | 9973 | 198 | 269 | 02.90-12.92 | ■ |
| 26.272 DFS,26.272 DFLS (D 2865 LF02) | Diesel | 9973 | 198 | 269 | 02.90-06.96 | ■ |
| 26.272 DFS,26.272 DFLS (D 2865 LF05) | Diesel | 9973 | 198 | 269 | 02.90-06.96 | ■ |
| 26.272 FNLS,26.272 FVLS (D 2865 LF02) | Diesel | 9973 | 198 | 269 | 09.90-12.95 | ■ |
| 26.272 FNLS,26.272 FVLS (D 2865 LF05) | Diesel | 9973 | 198 | 269 | 09.90-12.95 | ■ |
| 26.272 FNLS,26.272 FVLS | Diesel | 9973 | 198 | 269 | 09.90-12.95 | ■ ■ |
| 19.322FAS (D 2865 LF03) | Diesel | 9973 | 235 | 320 | 02.90-06.96 | ■ |
| 19.322FAS (D 2865 LF06) | Diesel | 9973 | 235 | 320 | 02.90-06.96 | ■ |
| 19.322 FS,19.322 FLS,19.322 FLLS (D 2865 LF03) | Diesel | 9973 | 235 | 320 | 02.90-05.95 | ■ |
| 19.322 FS,19.322 FLS,19.322 FLLS (D 2865 LF06) | Diesel | 9973 | 235 | 320 | 02.90-05.95 | ■ |
| 24.322 DFS,24.322 DFLS (D 2865 LF03) | Diesel | 9973 | 235 | 320 | 02.90-12.90 | ■ |
| 24.322 FNLS,24.322 FVLS (D 2865 LF03) | Diesel | 9973 | 235 | 320 | 02.90-05.95 | ■ |
| 24.322 FNLS,24.322 FVLS (D 2865 LF06) | Diesel | 9973 | 235 | 320 | 02.90-05.95 | ■ |
| 24.322 FNLS,24.322 FVLS | Diesel | 9973 | 235 | 320 | 02.90-05.95 | ■ ■ |
| 25.322 DFS, 25.322 DFLS (D 2865 LF03) | Diesel | 9973 | 235 | 320 | 09.90-12.92 | ■ |
| 25.322 DFS, 25.322 DFLS (D 2865 LF06) | Diesel | 9973 | 235 | 320 | 09.90-12.92 | ■ |
| 25.322 FNLS,25.322 FVLS (D 2865 LF03) | Diesel | 9973 | 235 | 320 | 09.90-12.92 | ■ |
| 25.322 FNLS,25.322 FVLS (D 2865 LF06) | Diesel | 9973 | 235 | 320 | 09.90-12.92 | ■ |
| 25.322 FNLS,25.322 FVLS | Diesel | 9973 | 235 | 320 | 09.90-12.92 | ■ ■ |
| 26.322DFAS (D 2865 LF03) | Diesel | 9973 | 235 | 320 | 02.90-12.92 | ■ |
| 26.322DFAS (D 2865 LF06) | Diesel | 9973 | 235 | 320 | 02.90-12.92 | ■ |
| 26.322 DFS,26.322 DFLS (D 2865 LF03) | Diesel | 9973 | 235 | 320 | 02.90-06.96 | ■ |
| 26.322 DFS,26.322 DFLS (D 2865 LF06) | Diesel | 9973 | 235 | 320 | 02.90-06.96 | ■ |
| 26.322 FNLS,26.322 FVLS (D 2865 LF03) | Diesel | 9973 | 235 | 320 | 09.90-12.95 | ■ |
| 26.322 FNLS,26.322 FVLS (D 2865 LF06) | Diesel | 9973 | 235 | 320 | 09.90-12.95 | ■ |
| 26.322 FNLS,26.322 FVLS | Diesel | 9973 | 235 | 320 | 09.90-12.95 | ■ ■ |
| 19.342FAS (D 2865 LF09) | Diesel | 9973 | 250 | 340 | 05.94-06.96 | ■ |
| 19.342 FS,19.342 FLS,19.342 FLLS (D 2865 LF09) | Diesel | 9973 | 250 | 340 | 05.94-05.95 | ■ |
| 26.342DFS (D 2865 LF09) | Diesel | 9973 | 250 | 340 | 04.94-06.96 | ■ |
| 19.242 FS,19.242 FLS,19.242 FLLS (D 2866 F/240) | Diesel | 11967 | 177 | 241 | 01.88-01.89 | ■ |
| 24.242DFS (D 2866 F/240) | Diesel | 11967 | 177 | 241 | 01.88-07.89 | ■ |
| 26.242DFS (D 2866 F/240) | Diesel | 11967 | 177 | 241 | 02.90-06.97 | ■ |
| 19.292FAS (D 2866 LF/290) | Diesel | 11967 | 213 | 290 | 05.88-02.90 | ■ |
| 19.292 FS,19.292 FLS,19.292 FLLS (D 2866 LF/290) | Diesel | 11967 | 213 | 290 | 07.86-02.90 | ■ |
| 24.292 DFS,24.292 DFLS (D 2866 LF/290) | Diesel | 11967 | 213 | 290 | 04.87-02.90 | ■ |
| 24.292 FNLS,24.292 FVLS (D 2866 LF/290) | Diesel | 11967 | 213 | 290 | 10.86-02.90 | ■ |
| 26.292DFAS (D 2866 LF/290) | Diesel | 11967 | 213 | 290 | 05.88-02.90 | ■ |
| 26.292DFS (D 2866 LF/290) | Diesel | 11967 | 213 | 290 | 09.87-02.90 | ■ |

LISTA DE APLICACIONES - BUYERS GUIDE

| | | | | | | |
|--|--------|-------|-----|-----|-------------|-----|
| 33.292DFAS (D 2866 LF/290) | Diesel | 11967 | 213 | 290 | 05.88-02.90 | ■ |
| 33.292DFS (D 2866 LF/290) | Diesel | 11967 | 213 | 290 | 09.87-02.90 | ■ |
| 24.302 DFS,24.302 DFLS (D 2866 LF04) | Diesel | 11967 | 221 | 299 | 05.90-04.95 | ■ |
| 25.302 DFS, 25.302 DFLS (D 2866 LF04) | Diesel | 11967 | 221 | 299 | 09.90-12.91 | ■ |
| 25.302 FNLS, 25.302 FVLS (D 2866 LF04) | Diesel | 11967 | 221 | 299 | 09.90-12.91 | ■ |
| 25.302 FNLS, 25.302 FVLS | Diesel | 11967 | 221 | 299 | 09.90-12.91 | ■ ■ |
| 26.302DFAS (D 2866 LF04) | Diesel | 11967 | 221 | 299 | 05.90-12.91 | ■ |
| 26.302DFS (D 2866 LF04) | Diesel | 11967 | 221 | 299 | 05.90-12.91 | ■ |
| 26.302 FNLS,26.302 FVLS (D 2866 LF04) | Diesel | 11967 | 221 | 299 | 09.90-12.91 | ■ |
| 26.302 FNLS,26.302 FVLS | Diesel | 11967 | 221 | 299 | 09.90-12.91 | ■ ■ |
| 19.332FAS (D 2866 LF/330) | Diesel | 11967 | 243 | 330 | 05.88-02.90 | ■ |
| 19.332 FS,19.332 FLS,19.332 FLLS (D 2866 LF/330) | Diesel | 11967 | 243 | 330 | 07.86-02.90 | ■ |
| 24.332 DFS,24.332 DFLS (D 2866 LF/330) | Diesel | 11967 | 243 | 330 | 04.87-02.90 | ■ |
| 24.332 FNLS,24.332 FVLS (D 2866 LF/330) | Diesel | 11967 | 243 | 330 | 10.86-02.90 | ■ |
| 26.332DFAS (D 2866 LF/330) | Diesel | 11967 | 243 | 330 | 05.88-02.90 | ■ |
| 26.332DFS (D 2866 LF/330) | Diesel | 11967 | 243 | 330 | 09.87-02.90 | ■ |
| 33.332DFAS (D 2866 LF/330) | Diesel | 11967 | 243 | 330 | 05.88-02.90 | ■ |
| 33.332DFS (D 2866 LF/330) | Diesel | 11967 | 243 | 330 | 09.87-02.90 | ■ |
| 19.372 FS,19.372 FLS,19.372 FLLS (D 2866 LXF) | Diesel | 11967 | 249 | 339 | 05.90-04.95 | ■ |
| 24.372DFS (D 2866 LXF) | Diesel | 11967 | 249 | 339 | 05.90-12.90 | ■ |
| 24.372FVLS (D 2866 LXF) | Diesel | 11967 | 249 | 339 | 05.90-12.90 | ■ |
| 25.372DFS (D 2866 LXF) | Diesel | 11967 | 249 | 339 | 09.90-12.92 | ■ |
| 25.372FVLS (D 2866 LXF) | Diesel | 11967 | 249 | 339 | 09.90-10.93 | ■ |
| 19.362FAS (D 2866 LXF) | Diesel | 11967 | 265 | 360 | 05.88-02.90 | ■ |
| 19.362 FS,19.362 FLS,19.362 FLLS (D 2866 KF) | Diesel | 11967 | 265 | 360 | 07.86-02.90 | ■ |
| 19.362 FS,19.362 FLS,19.362 FLLS (D 2866 LXF) | Diesel | 11967 | 265 | 360 | 07.86-02.90 | ■ |
| 24.362 DFS,24.362 DFLS (D 2866 KF) | Diesel | 11967 | 265 | 360 | 04.87-02.90 | ■ |
| 24.362 DFS,24.362 DFLS (D 2866 LXF) | Diesel | 11967 | 265 | 360 | 04.87-02.90 | ■ |
| 24.362 FNLS,24.362 FVLS (D 2866 KF) | Diesel | 11967 | 265 | 360 | 10.86-02.90 | ■ |
| 24.362 FNLS,24.362 FVLS (D 2866 LXF) | Diesel | 11967 | 265 | 360 | 10.86-02.90 | ■ |
| 26.362DFAS (D 2866 LXF) | Diesel | 11967 | 265 | 360 | 05.88-02.90 | ■ |
| 26.362DFS (D 2866 KF) | Diesel | 11967 | 265 | 360 | 09.87-02.90 | ■ |
| 26.362DFS (D 2866 LXF) | Diesel | 11967 | 265 | 360 | 09.87-02.90 | ■ |
| 33.362DFAS (D 2866 LXF) | Diesel | 11967 | 265 | 360 | 05.88-02.90 | ■ |
| 33.362DFS (D 2866 KF) | Diesel | 11967 | 265 | 360 | 09.87-02.90 | ■ |
| 33.362DFS (D 2866 LXF) | Diesel | 11967 | 265 | 360 | 09.87-02.90 | ■ |
| 19.372 FS,19.372 FLS,19.372 FLLS (D 2866 LF03) | Diesel | 11967 | 272 | 370 | 02.90-05.95 | ■ |
| 19.372 FS,19.372 FLS,19.372 FLLS (D 2866 LF05) | Diesel | 11967 | 272 | 370 | 02.90-05.95 | ■ |
| 19.372 FS,19.372 FLS,19.372 FLLS (D 2866 LF15) | Diesel | 11967 | 272 | 370 | 02.90-05.95 | ■ |
| 24.372 FNLS,24.372 FVLS (D 2866 LF03) | Diesel | 11967 | 272 | 370 | 02.90-05.95 | ■ |
| 24.372 FNLS,24.372 FVLS (D 2866 LF15) | Diesel | 11967 | 272 | 370 | 02.90-05.95 | ■ |
| 24.372 FNLS,24.372 FVLS | Diesel | 11967 | 272 | 370 | 02.90-05.95 | ■ ■ |
| 25.372 DFS,25.372 DFLS (D 2866 LF03) | Diesel | 11967 | 272 | 370 | 09.90-12.92 | ■ |
| 25.372 DFS,25.372 DFLS (D 2866 LF05) | Diesel | 11967 | 272 | 370 | 09.90-12.92 | ■ |
| 25.372 FNLS,25.372 FVLS (D 2866 LF03) | Diesel | 11967 | 272 | 370 | 09.90-10.93 | ■ |
| 25.372 FNLS,25.372 FVLS (D 2866 LF05) | Diesel | 11967 | 272 | 370 | 09.90-10.93 | ■ |
| 25.372 FNLS,25.372 FVLS | Diesel | 11967 | 272 | 370 | 09.90-10.93 | ■ ■ |
| 26.372DFAS (D 2866 LF03) | Diesel | 11967 | 272 | 370 | 02.90-12.92 | ■ |

LISTA DE APLICACIONES - BUYERS GUIDE

| | | | | | | | | |
|--|--|--------|--|-------|-----|-----|-------------|------------|
| 26.372DFAS (D 2866 LF05) | | Diesel | | 11967 | 272 | 370 | 02.90-12.92 | ■ |
| 26.372DFS (D 2866 LF03) | | Diesel | | 11967 | 272 | 370 | 02.90-06.96 | ■ |
| 26.372DFS (D 2866 LF05) | | Diesel | | 11967 | 272 | 370 | 02.90-06.96 | ■ |
| 26.372DFS (D 2866 LF15) | | Diesel | | 11967 | 272 | 370 | 02.90-06.96 | ■ |
| 26.372 FNLS,26.372 FVLS (D 2866 LF03) | | Diesel | | 11967 | 272 | 370 | 01.92-06.96 | ■ |
| 26.372 FNLS,26.372 FVLS (D 2866 LF05) | | Diesel | | 11967 | 272 | 370 | 01.92-06.96 | ■ |
| 26.372 FNLS,26.372 FVLS (D 2866 LF15) | | Diesel | | 11967 | 272 | 370 | 01.92-06.96 | ■ |
| 26.372 FNLS,26.372 FVLS | | Diesel | | 11967 | 272 | 370 | 01.92-06.96 | ■ ■ |
| 33.372DFAS (D 2866 LF03) | | Diesel | | 11967 | 272 | 370 | 09.91-06.96 | ■ |
| 33.372DFAS (D 2866 LF05) | | Diesel | | 11967 | 272 | 370 | 09.91-06.96 | ■ |
| 33.372DFAS (D 2866 LF15) | | Diesel | | 11967 | 272 | 370 | 09.91-06.96 | ■ |
| 19.402FAS (D 2866 LF16) | | Diesel | | 11967 | 294 | 400 | 05.94-06.96 | ■ |
| 19.402 FS,19.402 FLS,19.402 FLLS (D 2866 LF16) | | Diesel | | 11967 | 294 | 400 | 05.94-05.95 | ■ |
| 26.402DFS (D 2866 LF16) | | Diesel | | 11967 | 294 | 400 | 05.94-12.95 | ■ |
| 26.402 FNLS,26.402 FVLS (D 2866 LF16) | | Diesel | | 11967 | 294 | 400 | 05.94-06.96 | ■ |
| 26.402 FNLS,26.402 FVLS | | Diesel | | 11967 | 294 | 400 | 05.94-06.96 | ■ ■ |
| 33.402DFAS (D 2866 LF16) | | Diesel | | 11967 | 294 | 400 | 05.94-06.96 | ■ |
| 19.422FAS (D 2866 LF06) | | Diesel | | 11967 | 309 | 420 | 02.90-06.96 | ■ |
| 19.422FAS (D 2866 LF09) | | Diesel | | 11967 | 309 | 420 | 02.90-06.96 | ■ |
| 19.422 FS,19.422 FLS,19.422 FLLS (D 2866 LF06) | | Diesel | | 11967 | 309 | 420 | 02.90-05.95 | ■ |
| 19.422 FS,19.422 FLS,19.422 FLLS (D 2866 LF09) | | Diesel | | 11967 | 309 | 420 | 02.90-05.95 | ■ |
| 19.422 FS,19.422 FLS,19.422 FLLS (D 2866 LF10) | | Diesel | | 11967 | 309 | 420 | 02.90-05.95 | ■ |
| 24.422 DFS,24.422 DFSL (D 2866 LF06) | | Diesel | | 11967 | 309 | 420 | 02.90-12.90 | ■ |
| 25.422 DFS,25.422 DFSL (D 2866 LF06) | | Diesel | | 11967 | 309 | 420 | 09.90-12.92 | ■ |
| 25.422 DFS,25.422 DFSL (D 2866 LF09) | | Diesel | | 11967 | 309 | 420 | 09.90-12.92 | ■ |
| 25.422 FNLS,25.422 FVLS (D 2866 LF06) | | Diesel | | 11967 | 309 | 420 | 09.90-12.92 | ■ |
| 25.422 FNLS,25.422 FVLS (D 2866 LF09) | | Diesel | | 11967 | 309 | 420 | 09.90-12.92 | ■ |
| 25.422 FNLS,25.422 FVLS | | Diesel | | 11967 | 309 | 420 | 09.90-12.92 | ■ ■ |
| 26.422DFAS (D 2866 LF06) | | Diesel | | 11967 | 309 | 420 | 02.90-12.92 | ■ |
| 26.422DFAS (D 2866 LF09) | | Diesel | | 11967 | 309 | 420 | 02.90-12.92 | ■ |
| 26.422DFS (D 2866 LF06) | | Diesel | | 11967 | 309 | 420 | 02.90-12.95 | ■ |
| 26.422DFS (D 2866 LF09) | | Diesel | | 11967 | 309 | 420 | 02.90-12.95 | ■ |
| 26.422 FNLS,26.422 FVLS (D 2866 LF06) | | Diesel | | 11967 | 309 | 420 | 01.92-12.95 | ■ |
| 26.422 FNLS,26.422 FVLS (D 2866 LF09) | | Diesel | | 11967 | 309 | 420 | 01.92-12.95 | ■ |
| 26.422 FNLS,26.422 FVLS | | Diesel | | 11967 | 309 | 420 | 01.92-12.95 | ■ ■ |
| 33.422DFAS (D 2866 LF06) | | Diesel | | 11967 | 309 | 420 | 01.94-06.96 | ■ |
| 33.422DFAS (D 2866 LF09) | | Diesel | | 11967 | 309 | 420 | 01.94-06.96 | ■ |
| 19.462 FS,19.462 FLS (D 2840 LF 460) | | Diesel | | 18273 | 338 | 460 | 05.87-02.90 | ■ |
| 24.462 DFS (D 2840 LF 460) | | Diesel | | 18273 | 338 | 460 | 02.89-02.90 | ■ |
| 26.462DFAS (D 2840 LF 460) | | Diesel | | 18273 | 338 | 460 | 08.89-02.90 | ■ |
| 26.462DFS (D 2840 LF 460) | | Diesel | | 18273 | 338 | 460 | 02.89-02.90 | ■ |
| 26.502 DFAS (D 2840 LF01) | | Diesel | | 18273 | 368 | 500 | 02.90-12.92 | ■ |
| 26.502 DFAS (D 2840 LF04) | | Diesel | | 18273 | 368 | 500 | 02.90-12.92 | ■ |
| FOCL | | | | | | | | Bus |
| 12.240 (D 0836 LOH 56) | | Diesel | | 6871 | 176 | 240 | 08.07- | ■ |
| 12.250 (D 0836 LOH 65) | | Diesel | | 6871 | 184 | 250 | 08.04- | ■ |
| HOCL | | | | | | | | Bus |
| 12.220 HOCL/R-NL (D 0826 LOH 15) | | Diesel | | 6871 | 162 | 220 | 04.99-05.09 | ■ |
| 12.220 HOCL/R-NL (D 0826 LOH 17) | | Diesel | | 6871 | 162 | 220 | 04.99-05.09 | ■ |

LISTA DE APLICACIONES - BUYERS GUIDE

| | | | | | | | | |
|--|--|----------|--|-------|-----|-----|-------------|-----------------------|
| 14.220 HOCL/R-NL (D 0826 LOH 15) | | Diesel | | 6871 | 162 | 220 | 01.98- | ■ |
| 14.220 HOCL/R-NL (D 0826 LOH 17) | | Diesel | | 6871 | 162 | 220 | 01.98- | ■ |
| 14.220 HOCL/R-NL (D 0826 LUH 11) | | Diesel | | 6871 | 162 | 220 | 01.98- | ■ |
| 18.220 HOCL/R-NL, HOCL/SKD(SL) (D 0826 LOH 03) | | Diesel | | 6871 | 162 | 220 | 10.98-05.01 | ■ |
| 18.220 HOCL/R-NL, HOCL/SKD(SL) (D 0826 LOH 04) | | Diesel | | 6871 | 162 | 220 | 10.98-05.01 | ■ |
| 18.220 HOCL/R-NL, HOCL/SKD(SL) (D 0826 LOH 05) | | Diesel | | 6871 | 162 | 220 | 10.98-05.01 | ■ |
| 18.220 HOCL/R-NL, HOCL/SKD(SL) (D 0826 LOH 15) | | Diesel | | 6871 | 162 | 220 | 10.98-05.01 | ■ |
| 18.220 HOCL/R-NL, HOCL/SKD(SL) (D 0826 LOH 17) | | Diesel | | 6871 | 162 | 220 | 10.98-05.01 | ■ |
| 18.220 HOCL/R-NL, HOCL/SKD(SL) (D 0836 LOH 03) | | Diesel | | 6871 | 162 | 220 | 10.98-05.01 | ■ |
| 12.240 HOCL-NL (D 0836 LOH 52) | | Diesel | | 6871 | 176 | 240 | 05.00- | ■ |
| 12.240 HOCL-NL (D 0836 LOH 56) | | Diesel | | 6871 | 176 | 240 | 05.00- | ■ |
| 14.240 HOCL-NL (D 0836 LOH 52) | | Diesel | | 6871 | 176 | 240 | 05.00- | ■ |
| 14.240 HOCL-NL (D 0836 LOH 56) | | Diesel | | 6871 | 176 | 240 | 05.00- | ■ |
| 18.240 HOCL-NL (D 0836 LOH 52) | | Diesel | | 6871 | 176 | 240 | 08.02-10.09 | ■ |
| 18.240 HOCL-NL (D 0836 LOH 56) | | Diesel | | 6871 | 176 | 240 | 08.02-10.09 | ■ |
| 14.250 HOCL-NL (D 0836 LOH 61) | | Diesel | | 6871 | 184 | 250 | 05.07- | ■ |
| 18.250 HOCL-NL, HOCL-SKD(SL) (D 0826 LOH 10) | | Diesel | | 6871 | 184 | 250 | 05.07-12.14 | ■ |
| 18.250 HOCL-NL, HOCL-SKD(SL) (D 0836 LOH 61) | | Diesel | | 6871 | 184 | 250 | 05.07-12.14 | ■ |
| 18.280 HOCL-NL (D 0836 LOH 01) | | Diesel | | 6871 | 206 | 280 | 05.02-08.08 | ■ |
| 18.280 HOCL-NL (D 0836 LOH 02) | | Diesel | | 6871 | 206 | 280 | 05.02-08.08 | ■ |
| 18.280 HOCL-NL (D 0836 LOH 51) | | Diesel | | 6871 | 206 | 280 | 05.02-08.08 | ■ |
| 18.280 HOCL-NL (D 0836 LOH 55) | | Diesel | | 6871 | 206 | 280 | 05.02-08.08 | ■ |
| 18.290 HOCL-NL (D 0836 LOH 60) | | Diesel | | 6871 | 213 | 290 | 05.07-12.14 | ■ |
| 18.310 HOCL-NL (D 2066 LUH 07) | | Diesel | | 10518 | 228 | 310 | 01.06-10.09 | ■ |
| 18.310 HOCL-NL (D 2066 LUH 12) | | Diesel | | 10518 | 228 | 310 | 01.06-10.09 | ■ |
| 18.310 HOCL-NL (D 2066 LUH 22) | | Diesel | | 10518 | 228 | 310 | 01.06-10.09 | ■ |
| 18.320 HOCL-NL (D 2066 LUH 42) | | Diesel | | 10518 | 235 | 320 | 05.07-12.14 | ■ |
| 18.310 HOCL/R (D 2866 LOH 25) | | Diesel | | 11967 | 228 | 310 | 01.92- | ■ |
| 18.310 HOCL/R (D 2866 LOH 27) | | Diesel | | 11967 | 228 | 310 | 01.92- | ■ |
| HOCL | | | | | | | | Bus |
| 18.310 HOCL-NL (E 2876 LUH 02) | | Gasolina | | 12816 | 228 | 310 | 05.07- | ■ |
| LION'S CITY 03.96- | | | | | | | | Bus |
| 19.240 (D 0836 LOH 52) | | Diesel | | 6871 | 176 | 240 | 05.04-10.09 | ■ |
| 19.280 (D 0836 LOH 40) | | Diesel | | 6871 | 206 | 280 | 05.04- | ■ |
| 19.280 (D 0836 LOH 51) | | Diesel | | 6871 | 206 | 280 | 05.04- | ■ |
| 19.290 (D 0836 LOH 64) | | Diesel | | 6871 | 213 | 290 | 05.04- | ■ |
| LION'S COACH 09.95- | | | | | | | | Bus |
| 400 (D 2066 LOH 32) | | Diesel | | 10518 | 294 | 400 | 10.15- | ■ |
| 440 (D 2676 LOH 30) | | Diesel | | 12419 | 323 | 439 | 10.15- | ■ |
| C 440, L 440 (D 2676 LOH 30) | | Diesel | | 12419 | 323 | 439 | 10.15- | ■ |
| C 480, L 480 (D 2676 LOH 31) | | Diesel | | 12419 | 353 | 480 | 10.15- | ■ |
| M 2000 L 04.95- | | | | | | | | Concrete Mixer |
| 26.285 DL-TM, DLR-TM | | Diesel | | 6871 | 206 | 280 | 05.01- | ■ |
| M 2000 L 04.95- | | | | | | | | Dump Truck |
| 14.224 LAK, LARK, LAK-L (D 0826 LFL03) | | Diesel | | 6871 | 162 | 220 | 08.95- | ■ |
| 14.224 LAK, LARK, LAK-L (D 0826 LFL10) | | Diesel | | 6871 | 162 | 220 | 08.95- | ■ |

LISTA DE APLICACIONES - BUYERS GUIDE

| | | | | | | | | | |
|--|--|--------|--|--------------------------|-----|-----|-------------|---|---|
| 14.224 LK, LRK (D 0826 LFL03) | | Diesel | | 6871 | 162 | 220 | 08.95- | ■ | |
| 14.224 LK, LRK (D 0826 LFL10) | | Diesel | | 6871 | 162 | 220 | 08.95- | ■ | |
| 15.224 LK, LRK, LK-L (D 0826 LFL03) | | Diesel | | 6871 | 162 | 220 | 08.95- | ■ | |
| 15.224 LK, LRK, LK-L (D 0826 LFL10) | | Diesel | | 6871 | 162 | 220 | 08.95- | ■ | |
| 18.224, 18.225, LAK, LARK, LAK-L (D 0826 LFL03) | | Diesel | | 6871 | 162 | 220 | 08.95- | ■ | |
| 18.224, 18.225, LAK, LARK, LAK-L (D 0826 LFL10) | | Diesel | | 6871 | 162 | 220 | 08.95- | ■ | |
| 18.224, 18.225, LK, LK-L, LLK, LLK-L, LLRK, LRK (D 0826 LFL03) | | Diesel | | 6871 | 162 | 220 | 08.95- | ■ | |
| 18.224, 18.225, LK, LK-L, LLK, LLK-L, LLRK, LRK (D 0826 LFL10) | | Diesel | | 6871 | 162 | 220 | 08.95- | ■ | |
| 18.255 LAK, LARK, LAK-L | | Diesel | | 6871 | 180 | 245 | 05.01- | ■ | ■ |
| 18.255 LK, LK-L, LLK, LLK-L, LLRK, LRK | | Diesel | | 6871 | 180 | 245 | 11.02- | ■ | ■ |
| 26.224, 26.225, DL-HK, DLR-HK | | Diesel | | 6871 | 180 | 245 | 11.02- | ■ | ■ |
| 26.255 DL-HK, DLR-HK | | Diesel | | 6871 | 180 | 245 | 11.02- | ■ | ■ |
| 14.263, 14.264 LAK, LARK, LAK-L (D 0826 LFL09) | | Diesel | | 6871 | 191 | 260 | 08.95- | ■ | |
| 14.263, 14.264 LK, LRK (D 0826 LFL09) | | Diesel | | 6871 | 191 | 260 | 08.95- | ■ | |
| 15.263, 15.264 LK, LRK, LK-L (D 0826 LFL09) | | Diesel | | 6871 | 191 | 260 | 08.95- | ■ | |
| 18.263, 18.264, LAK, LARK, LAK-L (D 0826 LFL09) | | Diesel | | 6871 | 191 | 260 | 08.95- | ■ | |
| 18.263, 18.264, LK, LK-L, LLK, LLK-L, LLRK, LRK (D 0826 LFL09) | | Diesel | | 6871 | 191 | 260 | 08.95- | ■ | |
| 14.284, 14.285, LAK, LARK, LAK-L (D 0836 LF 01) | | Diesel | | 6871 | 206 | 280 | 06.98- | ■ | |
| 14.284, 14.285, LK, LRK (D 0836 LF 01) | | Diesel | | 6871 | 206 | 280 | 10.98- | ■ | |
| 15.284 LK, LRK, LK-L (D 0836 LF 01) | | Diesel | | 6871 | 206 | 280 | 06.98- | ■ | |
| 18.284, 18.285, LK, LK-L, LLK, LLK-L, LLRK, LRK (D 0836 LF 01) | | Diesel | | 6871 | 206 | 280 | 06.98- | ■ | |
| 18.284 LAK, LARK, LAK-L (D 0836 LF 01) | | Diesel | | 6871 | 206 | 280 | 06.98- | ■ | |
| 18.285 LAK, LARK, LAK-L, (LE280B) (D 0836 LFL 03) | | Diesel | | 6871 | 206 | 280 | 09.99- | ■ | ■ |
| 26.284, 26.285, DL-HK, DLR-HK | | Diesel | | 6871 | 206 | 280 | 11.02- | ■ | ■ |
| M 2000 L 04.95- | | | | Municipal Vehicle | | | | | |
| 14.284, 14.285, LA-LF (D 0836 LF 01) | | Diesel | | 6871 | 206 | 280 | 06.98- | ■ | |
| 18.284, 18.285, L-KO, LR-KO (D 0836 LF 01) | | Diesel | | 6871 | 206 | 280 | 06.98- | ■ | |
| M 2000 L 04.95- | | | | Platform/Chassis | | | | | |
| 14.224 LAC, LARC (D 0826 LFL03) | | Diesel | | 6871 | 162 | 220 | 08.95- | ■ | |
| 14.224 LAC, LARC (D 0826 LFL10) | | Diesel | | 6871 | 162 | 220 | 08.95- | ■ | |
| 18.224, 18.225, LAC, LARC (D 0826 LFL03) | | Diesel | | 6871 | 162 | 220 | 08.95- | ■ | |
| 18.224, 18.225, LAC, LARC (D 0826 LFL10) | | Diesel | | 6871 | 162 | 220 | 08.95- | ■ | |
| 18.224, 18.225, LAC, LARC (D 0836 LFL 02) | | Diesel | | 6871 | 162 | 220 | 08.95- | ■ | |
| 20.224, 20225 LNLC, LNLLC | | Diesel | | 6871 | 162 | 224 | 05.01- | ■ | |
| 14.263, 14.264 LAC, LARC (D 0826 LFL09) | | Diesel | | 6871 | 191 | 260 | 08.95- | ■ | |
| 18.263, 18.264, LAC, LARC (D 0826 LFL09) | | Diesel | | 6871 | 191 | 260 | 08.95- | ■ | |
| 14.284, 14.285, LAC, LARC (D 0836 LF 01) | | Diesel | | 6871 | 206 | 280 | 06.98- | ■ | |
| 18.284 LAC, LARC (D 0836 LF 01) | | Diesel | | 6871 | 206 | 280 | 06.98- | ■ | |
| 18.285 LAC, LARC (LE280B) (D 0836 LFL 03) | | Diesel | | 6871 | 206 | 280 | 09.99- | ■ | ■ |
| M 2000 M 08.95-12.05 | | | | Dump Truck | | | | | |
| 14.224 MAK, MAK-L, MARK (D 0826 LF15) | | Diesel | | 6871 | 162 | 220 | 08.95-12.05 | ■ | |
| 14.224 MAK, MAK-L, MARK (D 0826 LF18) | | Diesel | | 6871 | 162 | 220 | 08.95-12.05 | ■ | |
| 14.224 MK (D 0826 LF15) | | Diesel | | 6871 | 162 | 220 | 08.95-12.05 | ■ | |
| 14.224 MK (D 0826 LF18) | | Diesel | | 6871 | 162 | 220 | 08.95-12.05 | ■ | |
| 18.224 MAK, MAK-L, MARK (D 0826 LF15) | | Diesel | | 6871 | 162 | 220 | 08.95-12.05 | ■ | |
| 18.224 MAK, MAK-L, MARK (D 0826 LF18) | | Diesel | | 6871 | 162 | 220 | 08.95-12.05 | ■ | |

LISTA DE APLICACIONES - BUYERS GUIDE

| | | | | | | | | | |
|--|--------|----------|--|--------------------------|-----|-----|-------------|---|---|
| 18.224 MK, MK-L, MLK, MLRK, MRK (D 0826 LF15) | | Diesel | | 6871 | 162 | 220 | 08.95-12.05 | ■ | |
| 18.224 MK, MK-L, MLK, MLRK, MRK (D 0826 LF18) | | Diesel | | 6871 | 162 | 220 | 08.95-12.05 | ■ | |
| 18.225 MK, MK-L, MLK, MLRK, MRK | | Diesel | | 6871 | 162 | 220 | 10.00-12.05 | ■ | ■ |
| 18.255 MAK, MAK-L, MARK | | Diesel | | 6871 | 180 | 245 | 10.00-12.05 | ■ | ■ |
| 18.255 MK, MK-L, MLK, MLRK, MRK | | Diesel | | 6871 | 180 | 245 | 11.02-12.05 | ■ | ■ |
| 18.264 MAK, MAK-L, MARK (D 0826 LF17) | | Diesel | | 6871 | 191 | 260 | 08.95-12.05 | ■ | |
| 18.264 MK, MK-L, MLK, MLRK, MRK (D 0826 LF17) | | Diesel | | 6871 | 191 | 260 | 08.95-12.05 | ■ | |
| 14.284 MAK, MAK-L, MARK (D 0836 LF 01) | | Diesel | | 6871 | 206 | 280 | 06.98-12.05 | ■ | |
| 18.284 MAK, MAK-L, MARK (D 0836 LF 01) | | Diesel | | 6871 | 206 | 280 | 06.98-12.05 | ■ | |
| 18.284 MK, MK-L, MLK, MLRK, MRK (D 0836 LF 01) | | Diesel | | 6871 | 206 | 280 | 06.98-12.05 | ■ | |
| 18.285 MK, MK-L, MLK, MLRK, MRK | | Diesel | | 6871 | 206 | 280 | 02.03-12.05 | ■ | ■ |
| M 2000 M 08.95-12.05 | | | | Municipal Vehicle | | | | | |
| 14.284 MA-KO, MA-LF (D 0836 LF 01) | | Diesel | | 6871 | 206 | 280 | 06.98-12.05 | ■ | |
| M 2000 M 08.95-12.05 | | | | Platform/Chassis | | | | | |
| 18.224 MAC, MARC (D 0826 LF15) | | Diesel | | 6871 | 162 | 220 | 08.95-12.05 | ■ | |
| 18.224 MAC, MARC (D 0826 LF18) | | Diesel | | 6871 | 162 | 220 | 08.95-12.05 | ■ | |
| 18.264 MAC, MARC (D 0826 LF17) | | Diesel | | 6871 | 191 | 260 | 08.95-12.05 | ■ | |
| 18.284 MAC, MARC (D 0836 LF 01) | | Diesel | | 6871 | 206 | 280 | 06.98-12.05 | ■ | |
| M 2000 M 08.95-12.05 | | | | Truck Tractor | | | | | |
| 18.225 MLS, MLRS | | Diesel | | 6871 | 162 | 220 | 02.03-12.05 | ■ | |
| NG 08.92- | | | | Bus | | | | | |
| NG 262, NG 272 (D 0826 LUH 01) | | Diesel | | 6871 | 191 | 260 | 08.92-07.98 | ■ | ■ |
| NG 262 (D 2865 LUH09) | | Diesel | | 9973 | 191 | 260 | 06.97-07.98 | ■ | ■ |
| NG 312 (D 2865 LUH07) | | Diesel | | 9973 | 228 | 310 | 09.95-07.98 | ■ | ■ |
| NG 313 (D 2066 LUH 12) | | Diesel | | 10518 | 228 | 310 | 01.06-10.09 | ■ | |
| NG 313 (D 2066 LUH 22) | | Diesel | | 10518 | 228 | 310 | 01.06-10.09 | ■ | |
| NG 323 (D 2066 LUH 42) | | Diesel | | 10518 | 235 | 320 | 05.07-12.14 | ■ | |
| NG 353 (D 2066 LUH 13) | | Diesel | | 10518 | 257 | 350 | 05.07-12.14 | ■ | |
| NG 353 (D 2066 LUH 23) | | Diesel | | 10518 | 257 | 350 | 05.07-12.14 | ■ | |
| NG 363 (D 2066 LUH 48) | | Diesel | | 10518 | 264 | 360 | 05.07-12.14 | ■ | |
| NG 262, NG 263 (D 2866 LUH 22) | 01/00- | Diesel | | 11967 | 191 | 260 | 07.98- | ■ | ■ |
| NG 312, NG 313 (D 2866 LUH26) | 01/00- | Diesel | | 11967 | 228 | 310 | 07.98- | ■ | ■ |
| NG 08.92- | | | | Bus | | | | | |
| NG 313 (E 2876 LUH 02) | | Gasolina | | 12816 | 228 | 310 | 05.07-12.14 | ■ | |
| NL 09.88- | | | | Bus | | | | | |
| NL 202, NL 222, NL 223 (D 0826 LUH 03) | 01/00- | Diesel | | 6871 | 157 | 214 | 08.92- | ■ | ■ |
| NL 202, NL 222, NL 223 (D 0826 LUH 12) | 01/00- | Diesel | | 6871 | 157 | 214 | 08.92- | ■ | ■ |
| NL 202, NL 262, NL 263 (D 0826 LUH) | | Diesel | | 6871 | 184 | 250 | 04.91- | ■ | ■ |
| NL 262 (D 2865 LUH09) | 01/00- | Diesel | | 9973 | 191 | 260 | 06.97- | ■ | ■ |
| NL 273 (D 2066 LUH 11) | | Diesel | | 10518 | 199 | 271 | 01.06-10.09 | ■ | ■ |
| NL 273 (D 2066 LUH 21) | | Diesel | | 10518 | 199 | 271 | 01.06-10.09 | ■ | ■ |
| NL 283 (D 2066 LUH 41) | | Diesel | | 10518 | 206 | 280 | 08.12- | ■ | |
| NL 313 (D 2066 LUH 12) | | Diesel | | 10518 | 228 | 310 | 01.06-10.09 | ■ | |
| NL 313 (D 2066 LUH 22) | | Diesel | | 10518 | 228 | 310 | 01.06-10.09 | ■ | |
| NL 323 (D 2066 LUH 42) | | Diesel | | 10518 | 235 | 320 | 05.07- | ■ | |
| NL 262, NL 263 (D 2866 LUH 22) | 01/00- | Diesel | | 11967 | 191 | 260 | 07.98- | ■ | ■ |
| NL 313 (D 2866 LUH26) | | Diesel | | 11967 | 228 | 310 | 07.98- | ■ | |

LISTA DE APLICACIONES - BUYERS GUIDE

| | | | | | | | | | | |
|--------------------------------|--------|----------|--|-------|-----|-----|--------------------------|---|---|--|
| NL 09.88- | | | | | | | Bus | | | |
| NL 243 (E 2866 DUH 03) | | Gasolina | | 11967 | 180 | 245 | 05.07-12.14 | ■ | ■ | |
| NL 243 (E 2866 DUH 04) | | Gasolina | | 11967 | 180 | 245 | 05.07-12.14 | ■ | ■ | |
| NL 313 (E 2876 LUH 02) | | Gasolina | | 12816 | 228 | 310 | 05.07-12.14 | ■ | | |
| NM 08.87- | | | | | | | Bus | | | |
| NM 222, NM 223 (D 0826 LOH 15) | 01/00- | Diesel | | 6871 | 162 | 220 | 02.96- | ■ | | |
| NM 222, NM 223 (D 0826 LUH 12) | 01/00- | Diesel | | 6871 | 162 | 220 | 02.96- | ■ | | |
| TGA 03.00- | | | | | | | Concrete Mixer | | | |
| 33.430 (D 2066 LF 01) | | Diesel | | 10518 | 316 | 430 | 09.07- | ■ | | |
| TGA 03.00- | | | | | | | Dump Truck | | | |
| 35.440 | | Diesel | | 10518 | 324 | 440 | 07.06- | ■ | | |
| 26.410 (D 2866 LF28) | | Diesel | | 11967 | 301 | 410 | 02.02- | ■ | | |
| TGA 03.00- | | | | | | | Municipal Vehicle | | | |
| 26.430, 26.440 | | Diesel | | 10518 | 316 | 430 | 06.05- | ■ | | |
| TGA 03.00- | | | | | | | Platform/Chassis | | | |
| 28.310 | | Diesel | | 10518 | 228 | 310 | 07.06- | ■ | | |
| 28.320 | | Diesel | | 10518 | 228 | 310 | 07.06- | ■ | ■ | |
| 28.350, 28.360 | | Diesel | | 10518 | 257 | 350 | 06.04- | ■ | ■ | |
| 35.360 | | Diesel | | 10518 | 265 | 360 | 07.06- | ■ | | |
| 28.390 (D 2066 LF 02) | | Diesel | | 10518 | 287 | 390 | 07.06- | ■ | | |
| 28.390 (D 2066 LF 12) | | Diesel | | 10518 | 287 | 390 | 07.06- | ■ | | |
| 28.390, 28.400 | | Diesel | | 10518 | 287 | 390 | 06.04- | ■ | ■ | |
| 28.400 (D 2066 LF 26) | | Diesel | | 10518 | 294 | 400 | 07.06- | ■ | | |
| 28.400 (D 2066 LF 37) | | Diesel | | 10518 | 294 | 400 | 07.06- | ■ | | |
| 35.400 | | Diesel | | 10518 | 294 | 400 | 11.06- | ■ | | |
| 26.430, 26.440 | | Diesel | | 10518 | 316 | 430 | 05.04- | ■ | ■ | |
| 28.430 | | Diesel | | 10518 | 316 | 430 | 09.02-10.08 | ■ | | |
| 28.440 | | Diesel | | 10518 | 324 | 440 | 07.06- | ■ | | |
| 35.440 | | Diesel | | 10518 | 324 | 440 | 11.06- | ■ | | |
| 28.310 | | Diesel | | 11967 | 228 | 310 | 07.06- | ■ | | |
| 26.360 | | Diesel | | 11967 | 265 | 360 | 09.00- | ■ | ■ | |
| 28.360 | | Diesel | | 11967 | 265 | 360 | 07.06- | ■ | | |
| 28.410 | | Diesel | | 11967 | 301 | 410 | 07.06- | ■ | | |
| 26.480 | | Diesel | | 12419 | 353 | 480 | 02.06- | ■ | ■ | |
| 35.480 | | Diesel | | 12419 | 353 | 480 | 11.06- | ■ | | |
| 26.540 | | Diesel | | 12419 | 397 | 540 | 08.06- | ■ | ■ | |
| 26.480 | | Diesel | | 12816 | 353 | 480 | 09.02- | ■ | ■ | |
| 26.510 | | Diesel | | 12816 | 375 | 510 | 12.00- | ■ | ■ | |
| 26.530 | | Diesel | | 12816 | 390 | 530 | 09.02- | ■ | ■ | |
| TGA 03.00- | | | | | | | Truck Tractor | | | |
| 26.310 | | Diesel | | 11967 | 228 | 310 | 12.00- | ■ | ■ | |
| 26.360 | | Diesel | | 11967 | 265 | 360 | 12.00- | ■ | ■ | |
| 26.460 | | Diesel | | 12816 | 338 | 460 | 12.00- | ■ | ■ | |
| 26.480 | | Diesel | | 12816 | 353 | 480 | 09.02- | ■ | ■ | |
| 26.510 | | Diesel | | 12816 | 375 | 510 | 12.00- | ■ | ■ | |
| 26.530 | | Diesel | | 12816 | 390 | 530 | 09.02- | ■ | ■ | |
| ÜL 09.89- | | | | | | | Bus | | | |
| ÜL 312, ÜL 322 (D 2865 LUH07) | | Diesel | | 9973 | 228 | 310 | 04.92-09.96 | ■ | | |

LISTA DE APLICACIONES - BUYERS GUIDE

| | | | | | | | | |
|--|--------|--|-------|-----|-----|-------------|------------|---|
| ÜL 312,ÜL 322 (D 2865 LUH08) | Diesel | | 9973 | 228 | 310 | 04.92-09.96 | ■ | |
| ÜL 313 (D 2866 LUH 20) | Diesel | | 11967 | 228 | 310 | 09.96- | ■ | ■ |
| ÜL 313 (D 2866 LUH26) | Diesel | | 11967 | 228 | 310 | 09.96- | ■ | ■ |
| ÜL 353 (D 2866 LUH 21) | Diesel | | 11967 | 257 | 350 | 06.97- | ■ | ■ |
| RENAULT TRUCKS | | | | | | | | |
| Agora 01.96- | | | | | | | Bus | |
| Agora (MIDR 06.20.45 I41) | Diesel | | 9840 | 186 | 253 | 01.96- | ■ | ■ |
| Agora (MIDR 06.20.45 I41) | Diesel | | 9840 | 186 | 253 | 01.96- | ■ | ■ |
| SETRA | | | | | | | | |
| 300 Series 09.91-02.02 | | | | | | | Bus | |
| S315GT-HD, S315HD, S315HDH (OM 445.935) | Diesel | | 10964 | 213 | 290 | 01.96- | ■ | ■ |
| S315GT-HD, S315HD, S315HDH (D 2866 LOH 23) | Diesel | | 11967 | 294 | 400 | 09.94-02.02 | ■ | ■ |
| S316HDS, S317GT-HD, S317HD, S317HDH (OM 446.924) | Diesel | | 14618 | 280 | 381 | 09.91-02.02 | ■ | ■ |
| S316HDS, S317GT-HD, S317HD, S317HDH (OM 446.930) | Diesel | | 14618 | 280 | 381 | 09.91-02.02 | ■ | ■ |
| S316HDS, S317GT-HD, S317HD, S317HDH (OM 446.931) | Diesel | | 14618 | 280 | 381 | 09.91-02.02 | ■ | ■ |
| VAN HOOL | | | | | | | | |
| A Series 09.98- | | | | | | | Bus | |
| A 308 | Diesel | | 6871 | 176 | 239 | 10.06- | ■ | ■ |
| A 330 (PR 183 S) | Diesel | | 9186 | 183 | 249 | 10.06- | ■ | ■ |
| A 330 (PR 228 S) | Diesel | | 9186 | 228 | 310 | 10.06- | ■ | ■ |
| AG 300 (PR 228 S) | Diesel | | 9186 | 228 | 310 | 10.06- | ■ | ■ |
| AG 300 (PR 265 S) | Diesel | | 9186 | 265 | 360 | 10.06- | ■ | ■ |
| A 330 | Diesel | | 10518 | 235 | 320 | 10.06- | ■ | ■ |
| AG 300 | Diesel | | 10518 | 265 | 360 | 10.06- | ■ | ■ |