

# LISTA DE APLICACIONES - BUYERS GUIDE

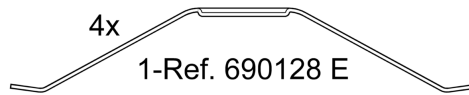
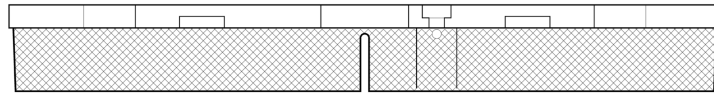
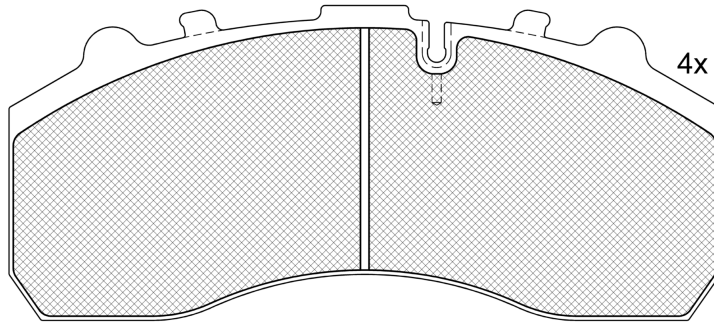
## 151194-072



Qty: 660

Weight: 11.272

O.E.M.	MAKE
000 421 05 10	MERCEDES-BENZ
002 420 22 20 10	MERCEDES-BENZ
002 420 49 20	MERCEDES-BENZ
003 420 10 20	MERCEDES-BENZ
003 420 16 20	MERCEDES-BENZ
003 420 20 20	MERCEDES-BENZ
003 420 22 20	MERCEDES-BENZ
003 420 35 20	MERCEDES-BENZ
05.362.70.02.0	BPW
0821.340.00	NEOPLAN
0821.351.00	NEOPLAN
09.801.02.57.0	BPW
09.801.02.92.0	BPW
09.801.06.20.0	BPW
09.801.06.45.0	BPW
09.801.06.96.0	BPW
1 390 428	SCANIA
143 9324	DAF
161 7343	DAF
190 6439	IVECO
204552	BOVA
3 057 0077 00	SAF
3 057 0079 00	SAF
5 317 0023 00	SAF
8 285 000 571	SETRA



## 151194-072

E 9 90R-01178/637



Knorr SB7000

247.5x109.6x30

WVA	FMSI
29087	D1203-8323
29105	
29106	
29108	
29109	

MAKE
BERKHOF
BOVA
BPW
DAF
DENNIS
ERF
FRUEHAUF
IVECO
LECIÑENA
LECITRAILER
MAN
MERCEDES-BENZ
NEOPLAN
OPTARE



Trac.	CC	Kw	CV
-------	----	----	----



Front / Rear

### BERKHOF

#### Ambassador 07.07-

**Bus**

ALE 106-205, ALE 120-205 (ISBE 205)	Diesel	6690	151	205	07.07-	■	■
ALE 106-225, ALE 120-225 (ISBE 225)	Diesel	6690	165	225	07.07-	■	■

### BOVA

#### Futura 09.84-

**Bus**

FVD 12	Diesel		162	220	09.84-	■	
FVD 12	Diesel		198	270	09.84-	■	
FHD 10	Diesel		213	290	09.84-	■	
FHD 12	Diesel		213	290	09.84-	■	
FHD 10	Diesel		220	300	09.84-	■	
FHD 12	Diesel		265	360	09.84-	■	
FHD 12	Diesel		272	370	09.84-	■	
FLD 15	Diesel		272	370	09.84-	■	■
FHX 15	Diesel		309	420	09.84-	■	■
FHD 15	Diesel		316	430	09.84-	■	■
FLD 104, FLD 120, FLD 127 (PR 228 S)	Diesel	9186	228	310	10.06-09.08	■	
FHD 104, FHD 120, FHD 127, FLD 104, FLD 120, FLD 127 (PR 265 S)	Diesel	9186	265	360	10.06-09.08	■	
FHD 10	Diesel	11627	242	329	07.94-12.01	■	
FHD 12	Diesel	11627	242	329	07.94-12.01	■	
FHD 13	Diesel	11627	242	329	07.94-12.01	■	
FHD 12	Diesel	11627	268	364	07.94-12.01	■	
FHD 13	Diesel	11627	268	364	07.94-12.01	■	
FHD 14	Diesel	11627	268	364	07.94-12.01	■	

# LISTA DE APLICACIONES - BUYERS GUIDE

FLD 12		Diesel		11627	268	364	07.94-12.01	■	
FHD 14		Diesel		11627	315	428	07.94-12.01	■	
FHD 15		Diesel		11627	315	428	07.94-12.01	■	
FHD 10, FHD 12, FHD 13, FLD 12, FLD 13 (XE 250 C)		Diesel		12580	250	340	09.01-09.06	■	
FHD 12, FHD 13 (XE 280 C)		Diesel		12580	280	381	09.01-09.06	■	
FLD 15 Magnum (XE 280 C)		Diesel		12580	280	381	09.01-09.06	■	■
FHD 14 Magnum, FLD 15 Magnum (XE 315 C)		Diesel		12580	315	428	09.01-09.06	■	■
<b>Lexio 09.05-</b>								<b>Bus</b>	
LD 123, LD 130 (PE 228 C)		Diesel		9186	228	310	09.05-	■	■
LLD 123-310, LLD 130-310 (PR 228 S)		Diesel		9186	228	310	07.07-	■	■
LD 123, LD 130 (PE 265 C)		Diesel		9186	265	360	09.05-	■	■
LLD 123-365, LLD 130-365 (PR 265 S)		Diesel		9186	265	360	12.06-	■	■
<b>Magiq 10.99-</b>								<b>Bus</b>	
HD 120, HD 122 (XE 250 C)		Diesel		12580	250	340	10.99-	■	■
HD 120, HD 122 (XE 280 C)		Diesel		12580	280	381	10.99-	■	■
HD 131 Magnum, HD 139 Magnum (XE 315 C)		Diesel		12580	315	428	10.99-	■	■
MHD 122 (MX 300)		Diesel		12903	300	408	10.06-	■	■
MHD 131 Magnum, MHD 139 Magnum, MHD 148 Magnum (MX 340)		Diesel		12903	340	462	07.07-	■	■
<b>Synergy 09.04-</b>								<b>Bus</b>	
DD 130, DD 138 (XE 315 C)		Diesel		12580	315	428	09.04-	■	■
DD 130, DD 138 (XE 355 C)		Diesel		12580	355	483	09.04-	■	■
SDD 130, SDD 141 (MX 340)		Diesel		12903	340	462	07.07-	■	■
SDD 130, SSD 141 (MX 375)		Diesel		12903	375	510	07.07-	■	■
<b>BPW</b>									
<b>SH 01.96-</b>								<b>Trailer Axle</b>	
SHBF 9010 ECO Plus							01.00-	■	
SHSF 10010-15 ECO							01.96-	■	
SHSF 10010-15 ECO-MAXX							01.96-	■	
SHSF 10010-15 ECO Plus							01.96-	■	
SHSF 10110-15 ECO							01.96-	■	
SHSF 10110-15 ECO-MAXX							01.96-	■	
SHSF 10110-15 ECO Plus							01.96-	■	
SHSF 12010-16 ECO-MAXX							01.96-	■	
SHSF 12010-16 ECO Plus							01.96-	■	
SHSF 8010 ECO Plus							01.96-01.00	■	
SHSF 9010							01.96-	■	
SHSF 9010-15 ECO							01.96-	■	
SHSF 9010-15 ECO-MAXX							01.96-	■	
SHSF 9010-15 ECO Plus							01.96-	■	
SHSF 9010 ECO							01.96-	■	
SHSF 9010 ECO-MAXX							01.96-	■	
SHSF 9010 ECO Plus							01.96-	■	
SHSF 9010 ECO Plus							01.00-	■	
SHSFA 8010 ECO-MAXX							01.96-	■	
SHSFA 9010-15 ECO-MAXX							01.96-	■	
SHSFA 9010 ECO							01.96-	■	
SHSFA 9010 ECO-MAXX							01.96-	■	
SHSFH 9010 ECO-MAXX							01.97-	■	
SHSM 10010-15 ECO							01.96-	■	

# LISTA DE APLICACIONES - BUYERS GUIDE

SHSM 10010-15 ECO-MAXX							01.96-	■
SHSM 10010-15 ECO Plus							01.96-	■
SHSM 10110-15 ECO							01.96-	■
SHSM 10110-15 ECO-MAXX							01.96-	■
SHSM 10110-15 ECO Plus							01.96-	■
SHSM 12010-16 ECO-MAXX							01.96-	■
SHSM 12010-16 ECO Plus							01.96-	■
SHSM 9010-15 ECO-MAXX							01.96-	■
SHSM 9010-15 ECO Plus							01.00-	■
SHSM 9010 ECO							01.96-	■
SHSM 9010 ECO-MAXX							01.96-	■
SHSM 9010 ECO Plus							01.00-	■
SHSMA 9010 ECO							01.96-	■
SHZ 12010-16 ECO-MAXX							01.96-	■
SHZF 10010-15 ECO							01.96-	■
SHZF 10010-15 ECO-MAXX							01.96-	■
SHZF 10010-15 ECO Plus							01.96-	■
SHZF 10110-15 ECO							01.96-	■
SHZF 10110-15 ECO-MAXX							01.96-	■
SHZF 10110-15 ECO Plus							01.96-	■
SHZF 12010-16 ECO-MAXX							01.96-	■
SHZF 12010-16 ECO Plus							01.96-	■
SHZF 14010-15 ECO-MAXX							01.96-	■
SHZF 14010-1 ECO-MAXX							01.96-	■
SHZF 9010-15 ECO							01.96-	■
SHZF 9010-15 ECO-MAXX							01.96-	■
SHZF 9010-15 ECO Plus							01.96-	■
SHZF 9010 ECO							01.96-	■
SHZF 9010 ECO-MAXX							01.96-	■
SHZF 9010 ECO Plus							01.00-	■
SHZM 10010-15 ECO							01.96-	■
SHZM 10010-15 ECO-MAXX							01.96-	■
SHZM 10110-15 ECO							01.96-	■
SHZM 10110-15 ECO-MAXX							01.96-	■
SHZM 10110-15 ECO Plus							01.96-	■
SHZM 12010-16 ECO-MAXX							01.96-	■
SHZM 12010-16 ECO Plus							01.96-	■
SHZM 9010-15 ECO-MAXX							01.96-	■
SHZM 9010-15 ECO Plus							01.00-	■
SHZMA 9010-15 ECO-MAXX							01.96-	■

## DAF

<b>75 CF 02.98-12.00</b>							<b>Platform/Chassis</b>	
FA 75 CF 250 (PF 183 M)	Diesel		9186	183	249	02.98-12.00	■	■
FAG 75 CF 250,FAN 75 CF 250 (PF 183 M)	Diesel		9186	183	249	02.98-12.00	■	■
FAR 75 CF 250,FAS 75 CF 250 (PF 183 M)	Diesel		9186	183	249	02.98-12.00	■	■
FAT 75 CF 250 (PF 183 M)	Diesel		9186	183	249	02.98-12.00	■	■
FA 75 CF 290 (PF 212 M)	Diesel		9186	212	288	02.98-12.00	■	■
FAG 75 CF 290,FAN 75 CF 290 (PF 212 M)	Diesel		9186	212	288	02.98-12.00	■	■
FAR 75 CF 290,FAS 75 CF 290 (PF 212 M)	Diesel		9186	212	288	02.98-12.00	■	■
FAT 75 CF 290 (PF 212 M)	Diesel		9186	212	288	02.98-12.00	■	■
FA 75 CF 320 (PF 235 M)	Diesel		9186	235	320	02.98-12.00	■	■

# LISTA DE APLICACIONES - BUYERS GUIDE

FAG 75 CF 320,FAN 75 CF 320 (PF 235 M)	Diesel	9186	235	320	02.98-12.00	■	■
FAR 75 CF 320,FAS 75 CF 320 (PF 235 M)	Diesel	9186	235	320	02.98-12.00	■	■
FAT 75 CF 320 (PF 235 M)	Diesel	9186	235	320	02.98-12.00	■	■
<b>75 CF 02.98-12.00</b>				<b>Truck Tractor</b>			
FT 75 CF 250 (PF 183 M)	Diesel	9186	183	249	02.98-12.00	■	■
FT 75 CF 290 (PF 212 M)	Diesel	9186	212	288	02.98-12.00	■	■
FT 75 CF 320 (PF 235 M)	Diesel	9186	235	320	02.98-12.00	■	■
<b>85 CF 02.98-12.00</b>				<b>Platform/Chassis</b>			
FA 85 CF 340 (XF 250 M)	Diesel	12580	250	340	02.98-12.00	■	■
FAC 85 CF 340 (XF 250 M)	Diesel	12580	250	340	02.98-12.00	■	■
FAD 85 CF 340 (XF 250 M)	Diesel	12580	250	340	02.98-12.00	■	■
FAG 85 CF 340,FAN 85 CF 340 (XF 250 M)	Diesel	12580	250	340	02.98-12.00	■	■
FAR 85 CF 340 (XF 250 M)	Diesel	12580	250	340	02.98-12.00	■	■
FAS 85 CF 340 (XF 250 M)	Diesel	12580	250	340	02.98-12.00	■	■
FAT 85 CF 340 (XF 250 M)	Diesel	12580	250	340	02.98-12.00	■	■
FA 85 CF 380 (XF 280 M)	Diesel	12580	280	381	02.98-12.00	■	■
FAC 85 CF 380 (XF 280 M)	Diesel	12580	280	381	02.98-12.00	■	■
FAD 85 CF 380 (XF 280 M)	Diesel	12580	280	381	02.98-12.00	■	■
FAG 85 CF 380,FAN 85 CF 380 (XF 280 M)	Diesel	12580	280	381	02.98-12.00	■	■
FAR 85 CF 380 (XF 280 M)	Diesel	12580	280	381	02.98-12.00	■	■
FAS 85 CF 380 (XF 280 M)	Diesel	12580	280	381	02.98-12.00	■	■
FAT 85 CF 380 (XF 280 M)	Diesel	12580	280	381	02.98-12.00	■	■
FA 85 CF 430 (XF 315 M)	Diesel	12580	315	428	02.98-12.00	■	■
FAC 85 CF 430 (XF 315 M)	Diesel	12580	315	428	02.98-12.00	■	■
FAD 85 CF 430 (XF 315 M)	Diesel	12580	315	428	02.98-12.00	■	■
FAG 85 CF 430,FAN 85 CF 430 (XF 315 M)	Diesel	12580	315	428	02.98-12.00	■	■
FAR 85 CF 430 (XF 315 M)	Diesel	12580	315	428	02.98-12.00	■	■
FAS 85 CF 430 (XF 315 M)	Diesel	12580	315	428	02.98-12.00	■	■
FAT 85 CF 430 (XF 315 M)	Diesel	12580	315	428	02.98-12.00	■	■
<b>85 CF 02.98-12.00</b>				<b>Truck Tractor</b>			
FT 85 CF 340 (XF 250 M)	Diesel	12580	250	340	02.98-12.00	■	■
FTG 85 CF 340 (XF 250 M)	Diesel	12580	250	340	02.98-12.00	■	■
FTT 85 CF 340 (XF 250 M)	Diesel	12580	250	340	02.98-12.00	■	■
FT 85 CF 380 (XF 280 M)	Diesel	12580	280	381	02.98-12.00	■	■
FTG 85 CF 380 (XF 280 M)	Diesel	12580	280	381	02.98-12.00	■	■
FTT 85 CF 380	Diesel	12580	280	381	02.98-12.00	■	■
FT 85 CF 430 (XF 315 M)	Diesel	12580	315	428	02.98-12.00	■	■
FTG 85 CF 430 (XF 315 M)	Diesel	12580	315	428	02.98-12.00	■	■
FTT 85 CF 430 (XF 315 M)	Diesel	12580	315	428	02.98-12.00	■	■
<b>95 XF 01.97-09.02</b>				<b>Platform/Chassis</b>			
FA 95 XF 380 (XE 280 C)	Diesel	12580	280	381	01.97-09.02	■	■
FA 95 XF 380 (XF 280 M)	Diesel	12580	280	381	01.97-09.02	■	■
FAC 95 XF 380 (XE 280 C)	Diesel	12580	280	381	01.97-09.02	■	■
FAC 95 XF 380 (XF 280 M)	Diesel	12580	280	381	01.97-09.02	■	■
FAD 95 XF 380 (XF 280 M)	Diesel	12580	280	381	01.97-09.02	■	■
FAR 95 XF 380 (XE 280 C)	Diesel	12580	280	381	01.97-09.02	■	■
FAR 95 XF 380 (XF 280 M)	Diesel	12580	280	381	01.97-09.02	■	■
FAS 95 XF 380 (XE 280 C)	Diesel	12580	280	381	01.97-09.02	■	■
FAS 95 XF 380 (XF 280 M)	Diesel	12580	280	381	01.97-09.02	■	■
FAT 95 XF 380 (XE 280 C)	Diesel	12580	280	381	01.97-09.02	■	■

# LISTA DE APLICACIONES - BUYERS GUIDE

FAT 95 XF 380 (XF 280 M)		Diesel		12580	280	381	01.97-09.02	■	■
FA 95 XF 430 (XE 315 C)		Diesel		12580	315	428	01.97-09.02	■	■
FA 95 XF 430 (XF 315 M)		Diesel		12580	315	428	01.97-09.02	■	■
FAC 95 XF 430 (XE 315 C)		Diesel		12580	315	428	01.97-09.02	■	■
FAC 95 XF 430 (XF 315 M)		Diesel		12580	315	428	01.97-09.02	■	■
FAD 95 XF 430 (XF 315 M)		Diesel		12580	315	428	01.97-09.02	■	■
FAR 95 XF 430 (XE 315 C)		Diesel		12580	315	428	01.97-09.02	■	■
FAR 95 XF 430 (XF 315 M)		Diesel		12580	315	428	01.97-09.02	■	■
FAS 95 XF 430 (XE 315 C)		Diesel		12580	315	428	01.97-09.02	■	■
FAS 95 XF 430 (XF 315 M)		Diesel		12580	315	428	01.97-09.02	■	■
FAT 95 XF 430 (XE 315 C)		Diesel		12580	315	428	01.97-09.02	■	■
FAT 95 XF 430 (XF 315 M)		Diesel		12580	315	428	01.97-09.02	■	■
FA 95 XF 480 (XE 355 C)		Diesel		12580	355	483	01.97-09.02	■	■
FA 95 XF 480 (XF 355 M)		Diesel		12580	355	483	01.97-09.02	■	■
FAC 95 XF 480 (XE 355 C)		Diesel		12580	355	483	01.97-09.02	■	■
FAC 95 XF 480 (XF 355 M)		Diesel		12580	355	483	01.97-09.02	■	■
FAD 95 XF 480 (XE 355 C)		Diesel		12580	355	483	01.97-09.02	■	■
FAD 95 XF 480 (XF 355 M)		Diesel		12580	355	483	01.97-09.02	■	■
FAR 95 XF 480 (XE 355 C)		Diesel		12580	355	483	01.97-09.02	■	■
FAR 95 XF 480 (XF 355 M)		Diesel		12580	355	483	01.97-09.02	■	■
FAS 95 XF 480 (XE 355 C)		Diesel		12580	355	483	01.97-09.02	■	■
FAS 95 XF 480 (XF 355 M)		Diesel		12580	355	483	01.97-09.02	■	■
FAT 95 XF 480 (XE 355 C)		Diesel		12580	355	483	01.97-09.02	■	■
FAT 95 XF 480 (XF 355 M)		Diesel		12580	355	483	01.97-09.02	■	■
FA 95 XF 530 (XE 390 C)		Diesel		12580	390	530	01.97-09.02	■	■
FAC 95 XF 530 (XE 390 C)		Diesel		12580	390	530	01.97-09.02	■	■
FAD 95 XF 530 (XE 390 C)		Diesel		12580	390	530	01.97-09.02	■	■
FAR 95 XF 530 (XE 390 C)		Diesel		12580	390	530	01.97-09.02	■	■
FAS 95 XF 530 (XE 390 C)		Diesel		12580	390	530	01.97-09.02	■	■
FAT 95 XF 530 (XE 390 C)		Diesel		12580	390	530	01.97-09.02	■	■
FA 95 XF 530 (VF 390 M)		Diesel		14016	390	530	01.97-09.02	■	■
FAC 95 XF 530 (VF 390 M)		Diesel		14016	390	530	01.97-09.02	■	■
FAD 95 XF 530 (VF 390 M)		Diesel		14016	390	530	01.97-09.02	■	■
FAR 95 XF 530 (VF 390 M)		Diesel		14016	390	530	01.97-09.02	■	■
FAS 95 XF 530 (VF 390 M)		Diesel		14016	390	530	01.97-09.02	■	■
FAT 95 XF 530 (VF 390 M)		Diesel		14016	390	530	01.97-09.02	■	■
<b>95 XF 01.97-09.02</b>								<b>Truck Tractor</b>	
FT 95 XF 380 (XE 280 C)		Diesel		12580	280	381	01.97-09.02	■	■
FT 95 XF 380 (XF 280 M)		Diesel		12580	280	381	01.97-09.02	■	■
FTG 95 XF 380 (XE 280 C)		Diesel		12580	280	381	01.97-09.02	■	■
FTG 95 XF 380 (XF 280 M)		Diesel		12580	280	381	01.97-09.02	■	■
FTR 95 XF 380 (XE 280 C)		Diesel		12580	280	381	01.97-09.02	■	■
FTR 95 XF 380 (XF 280 M)		Diesel		12580	280	381	01.97-09.02	■	■
FTS 95 XF 380 (XE 280 C)		Diesel		12580	280	381	01.97-09.02	■	■
FTS 95 XF 380 (XF 280 M)		Diesel		12580	280	381	01.97-09.02	■	■
FTT 95 XF 380 (XE 280 C)		Diesel		12580	280	381	01.97-09.02	■	■
FTT 95 XF 380 (XF 280 M)		Diesel		12580	280	381	01.97-09.02	■	■
FT 95 XF 430 (XE 315 C)		Diesel		12580	315	428	01.97-09.02	■	■
FT 95 XF 430 (XF 315 M)		Diesel		12580	315	428	01.97-09.02	■	■
FTG 95 XF 430 (XE 315 C)		Diesel		12580	315	428	01.97-09.02	■	■
FTG 95 XF 430 (XF 315 M)		Diesel		12580	315	428	01.97-09.02	■	■

# LISTA DE APLICACIONES - BUYERS GUIDE

FTP 95 XF 430 (XE 315 C)		Diesel		12580	315	428	01.97-09.02	■	■
FTP 95 XF 430 (XF 315 M)		Diesel		12580	315	428	01.97-09.02	■	■
FTR 95 XF 430 (XE 315 C)		Diesel		12580	315	428	01.97-09.02	■	■
FTR 95 XF 430 (XF 315 M)		Diesel		12580	315	428	01.97-09.02	■	■
FTS 95 XF 430 (XE 315 C)		Diesel		12580	315	428	01.97-09.02	■	■
FTS 95 XF 430 (XF 315 M)		Diesel		12580	315	428	01.97-09.02	■	■
FTT 95 XF 430 (XE 315 C)		Diesel		12580	315	428	01.97-09.02	■	■
FTT 95 XF 430 (XF 315 M)		Diesel		12580	315	428	01.97-09.02	■	■
FT 95 XF 480 (XE 355 C)		Diesel		12580	355	483	01.97-09.02	■	■
FT 95 XF 480 (XF 355 M)		Diesel		12580	355	483	01.97-09.02	■	■
FTG 95 XF 480 (XE 355 C)		Diesel		12580	355	483	01.97-09.02	■	■
FTG 95 XF 480 (XF 355 M)		Diesel		12580	355	483	01.97-09.02	■	■
FTR 95 XF 480 (XE 355 C)		Diesel		12580	355	483	01.97-09.02	■	■
FTR 95 XF 480 (XF 355 M)		Diesel		12580	355	483	01.97-09.02	■	■
FTS 95 XF 480 (XE 355 C)		Diesel		12580	355	483	01.97-09.02	■	■
FTS 95 XF 480 (XF 355 M)		Diesel		12580	355	483	01.97-09.02	■	■
FTT 95 XF 480 (XE 355 C)		Diesel		12580	355	483	01.97-09.02	■	■
FTT 95 XF 480 (XF 355 M)		Diesel		12580	355	483	01.97-09.02	■	■
FT 95 XF 530 (XE 390 C)		Diesel		12580	390	530	02.01-09.02	■	■
FTG 95 XF 530 (XE 390 C)		Diesel		12580	390	530	01.97-09.02	■	■
FTR 95 XF 530 (XE 390 C)		Diesel		12580	390	530	01.97-09.02	■	■
FTS 95 XF 530 (XE 390 C)		Diesel		12580	390	530	01.97-09.02	■	■
FTT 95 XF 530 (XE 390 C)		Diesel		12580	390	530	01.97-09.02	■	■
FT 95 XF 530 (VF 390 M)		Diesel		14016	390	530	01.97-09.02	■	■
FTG 95 XF 530 (VF 390 M)		Diesel		14016	390	530	01.97-12.01	■	■
FTR 95 XF 530 (VF 390 M)		Diesel		14016	390	530	01.97-09.02	■	■
FTS 95 XF 530 (VF 390 M)		Diesel		14016	390	530	01.97-09.02	■	■
FTT 95 XF 530 (VF 390 M)		Diesel		14016	390	530	01.97-09.02	■	■
<b>CF 05.13-</b>								<b>Dump Truck</b>	
FAD 290		Diesel		10837	210	286	05.13-	■	■
FAD 330		Diesel		10837	240	326	05.13-	■	■
FAD 370		Diesel		10837	271	370	05.13-	■	■
<b>CF 05.13-</b>								<b>Platform/Chassis</b>	
FAD 290		Diesel		10837	210	286	05.13-	■	■
FAD 330		Diesel		10837	240	326	05.13-	■	■
FAD 370		Diesel		10837	271	370	05.13-	■	■
FAC 400		Diesel		10837	291	396	12.15-	■	■
FAQ 400, FAX 400 (MX-11 291)		Diesel		10837	291	396	12.15-	■	■
FAC 440		Diesel		10837	320	435	12.15-	■	■
FAQ 440, FAX 440 (MX-11 320)		Diesel		10837	320	435	12.15-	■	■
FAC 410		Diesel		12903	303	412	12.15-	■	■
FAQ 410, FAX 410 (MX-13 303)		Diesel		12903	303	412	12.15-	■	■
FAC 460		Diesel		12903	340	462	12.15-	■	■
FAQ 460, FAX 460 (MX-13 340)		Diesel		12903	340	462	12.15-	■	■
FAC 510		Diesel		12903	375	510	12.15-	■	■
FAQ 510, FAX 510 (MX-13 375)		Diesel		12903	375	510	12.15-	■	■
<b>CF 05.13-</b>								<b>Truck Tractor</b>	
FT 290 (MX-11 210)		Diesel		10837	210	286	05.13-	■	■
FT 330 (MX-11 240)		Diesel		10837	240	326	05.13-	■	■
FT 370 (MX-11 271)		Diesel		10837	271	370	05.13-	■	■

# LISTA DE APLICACIONES - BUYERS GUIDE

<b>CF 65 01.01-05.13</b>					<b>Platform/Chassis</b>				
FA 65.180 (CE 136 C)		Diesel		5880	136	185	01.01-05.13	■	■
FA 65.220 (CE 162 C)		Diesel		5880	162	220	01.01-05.13	■	■
FA 65.250 (CE 184 C)		Diesel		5880	184	250	01.01-05.13	■	■
FA 65.220 (GR 165 S1)		Diesel		6691	165	224	05.06-05.13	■	■
FA 65.250 (GR 184 S1)		Diesel		6691	184	250	05.06-05.13	■	■
FA 65.280 (GR 210 S1)		Diesel		6691	210	286	05.06-05.13	■	■
FA 65.300 (GR 220)		Diesel		6691	220	300	01.09-05.13	■	■
<b>CF 75 01.01-12.19</b>					<b>Dump Truck</b>				
FA 75.250		Diesel		9186	183	249	10.06-05.13	■	■
FA 75.310 (PR 228 S)		Diesel		9186	228	310	10.06-05.13	■	■
FA 75.360 (PR 265 S)		Diesel		9186	265	360	10.06-05.13	■	■
<b>CF 75 01.01-12.19</b>					<b>Platform/Chassis</b>				
FA 75.250 (PE 183 C)		Diesel		9186	183	249	01.01-05.13	■	■
FA 75.250 (PR 183 S)		Diesel		9186	183	249	01.01-05.13	■	■
FA 75.250		Diesel		9186	183	249	10.06-05.13	■	■
FAD 75.250 (PR 183 S)		Diesel		9186	183	249	01.01-05.13	■	■
FAG 75.250, FAN 75.250 (PE 183 C)		Diesel		9186	183	249	01.01-05.13	■	■
FAG 75.250, FAN 75.250 (PR 183 S)		Diesel		9186	183	249	01.01-05.13	■	■
FAG 75.250, FAN 75.250		Diesel		9186	183	249	01.01-05.13	■	■
FAR 75.250, FAS 75.250 (PE 183 C)		Diesel		9186	183	249	01.01-05.13	■	■
FAR 75.250, FAS 75.250 (PR 183 S)		Diesel		9186	183	249	01.01-05.13	■	■
FAR 75.250, FAS 75.250 (PR 183 S)		Diesel		9186	183	249	10.06-05.13	■	■
FAT 75.250 (PE 183 C)		Diesel		9186	183	249	01.01-05.13	■	■
FAT 75.250 (PR 183 S)		Diesel		9186	183	249	01.01-05.13	■	■
FAT 75.250		Diesel		9186	183	249	10.06-05.13	■	■
FA 75.310 (PE 228 C)		Diesel		9186	228	310	01.01-05.13	■	■
FA 75.310 (PR 228 S)		Diesel		9186	228	310	01.01-05.13	■	■
FA 75.310 (PR 228 S)		Diesel		9186	228	310	10.06-05.13	■	■
FAD 75.310 (PR 228 S)		Diesel		9186	228	310	01.01-05.13	■	■
FAG 75.310, FAN 75.310 (PE 228 C)		Diesel		9186	228	310	01.01-05.13	■	■
FAG 75.310, FAN 75.310 (PR 228 S)		Diesel		9186	228	310	01.01-05.13	■	■
FAG 75.310, FAN 75.310		Diesel		9186	228	310	01.01-05.13	■	■
FAR 75.310, FAS 75.310 (PE 228 C)		Diesel		9186	228	310	01.01-05.13	■	■
FAR 75.310, FAS 75.310 (PR 228 S)		Diesel		9186	228	310	01.01-05.13	■	■
FAR 75.310, FAS 75.310		Diesel		9186	228	310	01.01-05.13	■	■
FAT 75.310 (PE 228 C)		Diesel		9186	228	310	01.01-05.13	■	■
FAT 75.310 (PR 228 S)		Diesel		9186	228	310	01.01-05.13	■	■
FAT 75.310		Diesel		9186	228	310	10.06-05.13	■	■
FA 75.360 (PE 265 C)		Diesel		9186	265	360	01.01-05.13	■	■
FA 75.360 (PR 265 S)		Diesel		9186	265	360	01.01-05.13	■	■
FA 75.360 (PR 265 S)		Diesel		9186	265	360	10.06-05.13	■	■
FAD 75.360 (PR 265 S)		Diesel		9186	265	360	01.01-05.13	■	■
FAG 75.360, FAN 75.360 (PE 265 C)		Diesel		9186	265	360	01.01-05.13	■	■
FAG 75.360, FAN 75.360 (PR 265 S)		Diesel		9186	265	360	01.01-05.13	■	■
FAG 75.360, FAN 75.360		Diesel		9186	265	360	01.01-05.13	■	■
FAR 75.360, FAS 75.360 (PE 265 C)		Diesel		9186	265	360	01.01-05.13	■	■
FAR 75.360, FAS 75.360 (PR 265 S)		Diesel		9186	265	360	01.01-05.13	■	■
FAR 75.360, FAS 75.360		Diesel		9186	265	360	10.06-05.13	■	■
FAT 75.360 (PE 265 C)		Diesel		9186	265	360	01.01-05.13	■	■

# LISTA DE APLICACIONES - BUYERS GUIDE

FAT 75.360 (PR 265 S)		Diesel		9186	265	360	01.01-05.13	■	■	
FAT 75.360		Diesel		9186	265	360	10.06-05.13	■	■	
<b>CF 75 01.01-12.19</b>							<b>Truck Tractor</b>			
FT 75.250 (PE 183 C)		Diesel		9186	183	249	01.01-05.13	■	■	
FT 75.250 (PR 183 S)		Diesel		9186	183	249	01.01-05.13	■	■	
FT 75.250		Diesel		9186	183	249	10.06-05.13	■	■	
FT 75.310 (PE 228 C)		Diesel		9186	228	310	01.01-05.13	■	■	
FT 75.310 (PR 228 S)		Diesel		9186	228	310	01.01-05.13	■	■	
FT 75.310		Diesel		9186	228	310	10.06-05.13	■	■	
FT 75.360 (PE 265 C)		Diesel		9186	265	360	01.01-05.13	■	■	
FT 75.360 (PR 265 S)		Diesel		9186	265	360	01.01-05.13	■	■	
FT 75.360		Diesel		9186	265	360	10.06-05.13	■	■	
<b>CF 85 01.01-05.13</b>							<b>Concrete Mixer</b>			
FAD 85.360 (MX 265)		Diesel		12900	265	360	10.06-05.13	■	■	
FAD 85.410 (MX 300)		Diesel		12900	300	408	10.06-05.13	■	■	
FAD 85.460 (MX 340)		Diesel		12900	340	462	10.05-05.13	■	■	
FAD 85.510 (MX 375)		Diesel		12900	375	510	10.05-05.13	■	■	
FAD 85.360		Diesel		12903	265	360	10.06-05.13	■	■	
FAD 85.410 (MX-13 303)		Diesel		12903	300	408	10.06-05.13	■	■	
FAD 85.460 (MX-13 340)		Diesel		12903	340	462	10.06-05.13	■	■	
FAD 85.510 (MX-13 375)		Diesel		12903	375	510	10.06-05.13	■	■	
<b>CF 85 01.01-05.13</b>							<b>Dump Truck</b>			
FA 85.360		Diesel		12903	265	360	10.06-05.13	■	■	
FAD 85.360		Diesel		12903	265	360	10.06-05.13	■	■	
FAN 85.360		Diesel		12903	265	360	10.06-05.13	■	■	
FAR 85.360		Diesel		12903	265	360	10.06-05.13	■	■	
FAR 85.360, FAS 85.360		Diesel		12903	265	360	10.06-05.13	■	■	
FAT 85.360 (MX 265)		Diesel		12903	265	360	10.06-05.13	■	■	
FA 85.410		Diesel		12903	300	408	10.06-05.13	■	■	
FAD 85.410 (MX-13 303)		Diesel		12903	300	408	10.06-05.13	■	■	
FAN 85.410		Diesel		12903	300	408	10.06-05.13	■	■	
FAR 85.410, FAS 85.410		Diesel		12903	300	408	10.05-05.13	■	■	
FAT 85.410 (MX 300)		Diesel		12903	300	408	10.05-05.13	■	■	
FA 85.460		Diesel		12903	340	462	10.06-05.13	■	■	
FAD 85.460 (MX-13 340)		Diesel		12903	340	462	10.06-05.13	■	■	
FAN 85.460		Diesel		12903	340	462	10.06-05.13	■	■	
FAR 85.460, FAS 85.460		Diesel		12903	340	462	10.05-05.13	■	■	
FAT 85.460 (MX 340)		Diesel		12903	340	462	10.05-05.13	■	■	
FA 85.510		Diesel		12903	375	510	10.06-05.13	■	■	
FAD 85.510 (MX-13 375)		Diesel		12903	375	510	10.06-05.13	■	■	
FAN 85.510 (MX-13 375)		Diesel		12903	375	510	10.06-05.13	■	■	
FAR 85.510, FAS 85.510		Diesel		12903	375	510	10.05-05.13	■	■	
FAT 85.510 (MX 375)		Diesel		12903	375	510	10.05-05.13	■	■	
<b>CF 85 01.01-05.13</b>							<b>Platform/Chassis</b>			
FAX 85.360 (PR 265 S)		Diesel		9200	265	360	10.05-05.13	■	■	
FA 85.340 (XE 250 C)		Diesel		12580	250	340	01.01-05.13	■	■	
FAC 85.340 (XE 250 C)		Diesel		12580	250	340	12.05-05.13	■	■	
FAD 85.340 (XE 250 C)		Diesel		12580	250	340	01.01-05.13	■	■	
FAG 85.340, FAN 85.340 (XE 250 C)		Diesel		12580	250	340	01.01-05.13	■	■	
FAR 85.340, FAS 85.340 (XE 250 C)		Diesel		12580	250	340	01.01-05.13	■	■	

## LISTA DE APLICACIONES - BUYERS GUIDE

FAT 85.340 (XE 250 C)		Diesel		12580	250	340	01.01-05.13	■	■
FAX 85.340 (XE 250 C)		Diesel		12580	250	340	01.01-05.13	■	■
FAX 85.380 (XE 280 C)		Diesel		12580	279	380	01.01-05.13	■	■
FA 85.380 (XE 280 C)		Diesel		12580	280	381	01.01-05.13	■	■
FAC 85.380 (XE 280 C)		Diesel		12580	280	380	12.05-05.13	■	■
FAD 85.380 (XE 280 C)		Diesel		12580	280	381	01.01-05.13	■	■
FAG 85.380, FAN 85.380 (XE 280 C)		Diesel		12580	280	381	01.01-05.13	■	■
FAR 85.380, FAS 85.380 (XE 280 C)		Diesel		12580	280	381	01.01-05.13	■	■
FAT 85.380 (XE 280 C)		Diesel		12580	280	381	01.01-05.13	■	■
FA 85.430 (XE 315 C)		Diesel		12580	315	428	01.01-05.13	■	■
FAC 85.430 (XE 315 C)		Diesel		12580	315	428	12.05-05.13	■	■
FAD 85.430 (XE 315 C)		Diesel		12580	315	428	01.01-05.13	■	■
FAG 85.430, FAN 85.430 (XE 315 C)		Diesel		12580	315	428	01.01-05.13	■	■
FAR 85.430, FAS 85.430 (XE 315 C)		Diesel		12580	315	428	01.01-05.13	■	■
FAT 85.430 (XE 315 C)		Diesel		12580	315	428	01.01-05.13	■	■
FAX 85.430 (XE 315 C)		Diesel		12580	315	430	01.01-05.13	■	■
FTT 85.430 (XE 315 C)		Diesel		12580	315	428	01.01-05.13	■	■
FAX 85.480 (XE 355 C)		Diesel		12580	351	477	01.01-05.13	■	■
FA 85.480 (XE 355 C)		Diesel		12580	355	483	01.01-05.13	■	■
FAC 85.480 (XE 355 C)		Diesel		12580	355	483	12.05-05.13	■	■
FAD 85.480 (XE 355 C)		Diesel		12580	355	483	01.01-05.13	■	■
FAG 85.480, FAN 85.480 (XE 355 C)		Diesel		12580	355	483	01.01-05.13	■	■
FAR 85.480, FAS 85.480 (XE 355 C)		Diesel		12580	355	483	01.01-05.13	■	■
FAT 85.480 (XE 355 C)		Diesel		12580	355	483	01.01-05.13	■	■
FAD 85.360 (MX 265)		Diesel		12900	265	360	10.06-05.13	■	■
FAD 85.410 (MX 300)		Diesel		12900	300	408	10.05-05.13	■	■
FTT 85.410 (MX 300)		Diesel		12900	300	408	10.05-05.13	■	■
FAD 85.460 (MX 340)		Diesel		12900	340	462	10.05-05.13	■	■
FAD 85.510 (MX 375)		Diesel		12900	375	510	10.05-05.13	■	■
FA 85.360 (MX 265)		Diesel		12903	265	360	10.06-05.13	■	■
FAC 85.360 (MX 265)		Diesel		12903	265	360	10.06-05.13	■	■
FAD 85.360		Diesel		12903	265	360	10.06-05.13	■	■
FAG 85.360, FAN 85.360 (MX 265)		Diesel		12903	265	360	10.06-05.13	■	■
FAG 85.360, FAN 85.360		Diesel		12903	265	360	10.06-05.13	■	■
FAQ 85.360 (MX 265)		Diesel		12903	265	360	10.06-05.13	■	■
FAQ 85.360 (MX-13 265)		Diesel		12903	265	360	10.06-05.13	■	■
FAR 85.360, FAS 85.360 (MX 265)		Diesel		12903	265	360	10.06-05.13	■	■
FAT 85.360 (MX 265)		Diesel		12903	265	360	10.06-05.13	■	■
FAX 85.360		Diesel		12903	265	360	10.06-05.13	■	■
FA 85.410 (MX 300)		Diesel		12903	300	408	10.06-05.13	■	■
FAC 85.410 (MX 300)		Diesel		12903	300	408	10.05-05.13	■	■
FAD 85.410 (MX 300)		Diesel		12903	300	408	10.06-05.13	■	■
FAD 85.410 (MX-13 303)		Diesel		12903	300	408	10.06-05.13	■	■
FAG 85.410, FAN 85.410 (MX 300)		Diesel		12903	300	408	10.05-05.13	■	■
FAG 85.410, FAN 85.410		Diesel		12903	300	408	10.06-05.13	■	■
FAQ 85.410 (MX 300)		Diesel		12903	300	408	10.06-05.13	■	■
FAQ 85.410 (MX-13 303)		Diesel		12903	300	408	10.06-05.13	■	■
FAR 85.410		Diesel		12903	300	408	10.05-05.13	■	■
FAR 85.410, FAS 85.410 (MX 300)		Diesel		12903	300	408	10.05-05.13	■	■
FAT 85.410 (MX 300)		Diesel		12903	300	408	10.05-05.13	■	■
FAX 85.410		Diesel		12903	300	408	10.05-05.13	■	■

# LISTA DE APLICACIONES - BUYERS GUIDE

FA 85.460 (MX 340)		Diesel		12903	340	462	10.06-05.13	■	■
FAC 85.460 (MX 340)		Diesel		12903	340	462	10.05-05.13	■	■
FAD 85.460 (MX 340)		Diesel		12903	340	462	10.06-05.13	■	■
FAD 85.460 (MX-13 340)		Diesel		12903	340	462	10.06-05.13	■	■
FAG 85.460, FAN 85.460 (MX 340)		Diesel		12903	340	462	10.05-05.13	■	■
FAG 85.460, FAN 85.460		Diesel		12903	340	462	10.06-05.13	■	■
FAQ 85.460 (MX 340)		Diesel		12903	340	462	10.06-05.13	■	■
FAQ 85.460 (MX-13 340)		Diesel		12903	340	462	10.06-05.13	■	■
FAR 85.460		Diesel		12903	340	462	10.05-05.13	■	■
FAR 85.460, FAS 85.460 (MX 340)		Diesel		12903	340	462	10.05-05.13	■	■
FAT 85.460 (MX 340)		Diesel		12903	340	462	10.05-05.13	■	■
FAX 85.460		Diesel		12903	340	462	10.05-05.13	■	■
FA 85.510 (MX 375)		Diesel		12903	375	510	10.06-05.13	■	■
FAC 85.510 (MX 375)		Diesel		12903	375	510	10.05-05.13	■	■
FAD 85.510 (MX 375)		Diesel		12903	375	510	10.06-05.13	■	■
FAD 85.510 (MX-13 375)		Diesel		12903	375	510	10.06-05.13	■	■
FAG 85.510, FAN 85.510 (MX 375)		Diesel		12903	375	510	10.05-05.13	■	■
FAG 85.510, FAN 85.510 (MX 375)		Diesel		12903	375	510	10.06-05.13	■	■
FAG 85.510, FAN 85.510 (MX-13 375)		Diesel		12903	375	510	10.06-05.13	■	■
FAQ 85.510 (MX 375)		Diesel		12903	375	510	10.06-05.13	■	■
FAQ 85.510 (MX-13 375)		Diesel		12903	375	510	10.06-05.13	■	■
FAR 85.510		Diesel		12903	375	510	10.05-05.13	■	■
FAR 85.510, FAS 85.510 (MX 375)		Diesel		12903	375	510	10.05-05.13	■	■
FAT 85.510 (MX 375)		Diesel		12903	375	510	10.05-05.13	■	■
FAX 85.510		Diesel		12903	375	510	10.05-05.13	■	■
<b>CF 85 01.01-05.13</b>									<b>Truck Tractor</b>
FT 85.340 (XE 250 C)		Diesel		12580	250	340	01.01-05.13	■	■
FTG 85.340 (XE 250 C)		Diesel		12580	250	340	01.01-05.13	■	■
FTP 85.340 (XE 250 C)		Diesel		12580	250	340	01.01-05.13	■	■
FTS 85.340 (XE 250 C)		Diesel		12580	250	340	01.01-05.13	■	■
FTT 85.340 (XE 250 C)		Diesel		12580	250	340	01.01-05.13	■	■
FT 85.380 (XE 280 C)		Diesel		12580	280	381	01.01-05.13	■	■
FTG 85.380 (XE 280 C)		Diesel		12580	280	381	01.01-05.13	■	■
FTP 85.380 (XE 280 C)		Diesel		12580	280	380	01.01-05.13	■	■
FTS 85.380 (XE 280 C)		Diesel		12580	280	381	01.01-05.13	■	■
FTT 85.380 (XE 280 C)		Diesel		12580	280	381	01.01-05.13	■	■
FT 85.430 (XE 315 C)		Diesel		12580	315	428	01.01-05.13	■	■
FTG 85.430 (XE 315 C)		Diesel		12580	315	428	01.01-05.13	■	■
FTP 85.430 (XE 315 C)		Diesel		12580	315	430	01.01-05.13	■	■
FTS 85.430 (XE 315 C)		Diesel		12580	315	428	01.01-05.13	■	■
FTT 85.430 (XE 315 C)		Diesel		12580	315	430	01.01-05.13	■	■
FT 85.480 (XE 355 C)		Diesel		12580	355	483	01.01-05.13	■	■
FTG 85.480 (XE 355 C)		Diesel		12580	355	483	01.01-05.13	■	■
FTP 85.480 (XF 355 M)		Diesel		12580	355	480	01.01-05.13	■	■
FTS 85.480 (XE 355 C)		Diesel		12580	355	480	01.01-05.13	■	■
FTT 85.480 (XE 355 C)		Diesel		12580	355	483	01.01-05.13	■	■
FT 85.410 (MX 300)		Diesel		12902	300	408	10.05-05.13	■	■
FT 85.360 (MX 265)		Diesel		12903	265	360	10.06-05.13	■	■
FTG 85.360 (MX 265)		Diesel		12903	265	360	10.06-05.13	■	■
FTR 85.360, FTS 85.360, FTP 85.360 (MX 265)		Diesel		12903	265	360	10.06-12.20	■	■
FTT 85.360 (MX 265)		Diesel		12903	265	360	10.06-05.13	■	■

# LISTA DE APLICACIONES - BUYERS GUIDE

FTG 85.410 (MX 300)		Diesel		12903	300	408	10.05-05.13	■	■
FTR 85.410, FTS 85.410, FTP 85.410 (MX 300)		Diesel		12903	300	408	10.05-05.13	■	■
FTT 85.410		Diesel		12903	300	408	10.05-05.13	■	■
FT 85.460 (MX 340)		Diesel		12903	340	462	10.05-05.13	■	■
FTG 85.460 (MX 340)		Diesel		12903	340	462	10.05-05.13	■	■
FTR 85.460, FTS 85.460, FTP 85.460 (MX 340)		Diesel		12903	340	462	10.05-05.13	■	■
FTT 85.460 (MX 340)		Diesel		12903	340	462	10.05-05.13	■	■
FT 85.510 (MX 375)		Diesel		12903	375	510	10.05-05.13	■	■
FTG 85.510 (MX 375)		Diesel		12903	375	510	10.05-05.13	■	■
FTG 85.510		Diesel		12903	375	510	10.05-05.13	■	■
FTR 85.510, FTS 85.510, FTP 85.510 (MX 375)		Diesel		12903	375	510	10.05-05.13	■	■
FTT 85.510 (MX 375)		Diesel		12903	375	510	10.05-05.13	■	■
<b>LF 45 01.01-</b>				<b>Platform/Chassis</b>					
FA 45.210 (FR 152)		Diesel		4461	152	207	01.09-	■	
<b>LF 55 01.01-</b>				<b>Municipal Vehicle</b>					
FA 55.160		Diesel		4461	118	160	05.06-	■	■
<b>LF 55 01.01-</b>				<b>Platform/Chassis</b>					
FA 55.170 (BE 123 C)		Diesel		3920	123	167	01.01-	■	■
FA 55.160 (FR 118 S1)		Diesel		4461	118	160	05.06-	■	■
FA 55.180 (CE 136 C)		Diesel		5880	136	185	01.01-	■	■
FAN 55.180 (CE 136 C)		Diesel		5880	136	180	05.06-	■	■
FA 55.220 (CE 162 C)		Diesel		5880	162	220	01.01-	■	■
FAN 55.220 (CE 162 C)		Diesel		5880	162	220	05.06-	■	■
FA 55.250 (CE 184 C)		Diesel		5880	184	250	01.01-	■	■
FAN 55.250 (CE 184 C)		Diesel		5880	184	250	05.06-	■	■
FA 55.220 (GR 165 S1)		Diesel		6691	165	224	05.06-	■	■
FAN 55.220 (GR 165 S1)		Diesel		6691	165	224	05.06-	■	■
FA 55.250 (GR 184 S1)		Diesel		6691	184	250	05.06-	■	■
FAN 55.250 (GR 184 S1)		Diesel		6691	184	250	05.06-	■	■
FA 55.290 (GR 210 S1)		Diesel		6691	210	286	05.06-	■	■
FAN 55.290 (GR 210 S1)		Diesel		6691	210	286	05.06-	■	■
<b>SB 01.74-</b>				<b>Bus</b>					
SB 3000 (WS 242)		Diesel		11627	242	330	05.95-12.03	■	■
SB 3000 (WS 268)		Diesel		11627	268	364	05.95-12.03	■	■
SB 3000 (WS 315)		Diesel		11627	315	428	05.95-12.03	■	■
<b>XF 10.12-</b>				<b>Platform/Chassis</b>					
FA 440		Diesel		10837	320	435	10.12-	■	■
FA 440		Diesel		10837	320	435	10.12-	■	■
FAN 440		Diesel		10837	320	435	10.12-	■	■
FAR 440		Diesel		10837	320	435	10.12-	■	■
FA 410		Diesel		12903	303	412	10.12-	■	■
FA 410		Diesel		12903	303	412	10.12-	■	■
FAN 410		Diesel		12903	303	412	10.12-	■	■
FAR 410		Diesel		12903	303	412	10.12-	■	■
FA 460		Diesel		12903	340	462	10.12-	■	■
FA 460		Diesel		12903	340	462	10.12-	■	■
FAD 460 (MX-13 340)		Diesel		12903	340	462	10.12-	■	■
FAN 460 (MX-13 340)		Diesel		12903	340	462	10.12-	■	■
FAR 460 (MX-13 340)		Diesel		12903	340	462	10.12-	■	■
FA 510		Diesel		12903	375	510	10.12-	■	■

# LISTA DE APLICACIONES - BUYERS GUIDE

FA 510		Diesel		12903	375	510	10.12-	■	■
FAD 510		Diesel		12903	375	510	10.12-	■	■
FAN 510		Diesel		12903	375	510	10.12-	■	■
FAR 510		Diesel		12903	375	510	10.12-	■	■
<b>XF 10.12-</b>								<b>Truck Tractor</b>	
FTG 440, FTN 440		Diesel		10837	320	435	10.12-	■	■
FTP 440		Diesel		10837	320	435	10.12-	■	■
FTG 410, FTN 410		Diesel		12903	303	412	10.12-	■	■
FTP 410		Diesel		12903	303	412	10.12-	■	■
FTG 460, FTN 460 (MX-13 340)		Diesel		12903	340	462	10.12-	■	■
FTM 460		Diesel		12903	340	462	10.12-	■	■
FTP 460		Diesel		12903	340	462	10.12-	■	■
FTT 460		Diesel		12903	340	462	10.12-	■	■
FTG 510, FTN 510		Diesel		12903	375	510	10.12-	■	■
FTM 510		Diesel		12903	375	510	10.12-	■	■
FTP 510		Diesel		12903	375	510	10.12-	■	■
FTT 510		Diesel		12903	375	510	10.12-	■	■
<b>XF 105 10.05-</b>								<b>Platform/Chassis</b>	
FA 105.410 (MX 300)		Diesel		12903	300	408	10.05-	■	■
FAD 105.410 (MX 300)		Diesel		12903	300	408	10.05-	■	■
FAK 105.410 (MX 300)		Diesel		12903	300	408	10.05-	■	■
FAN 105.410		Diesel		12903	300	408	10.05-	■	■
FAR 105.410		Diesel		12903	300	408	10.05-	■	■
FAS 105.410, FAR 105.410 (MX 300)		Diesel		12903	300	408	10.05-	■	■
FAT 105.410 (MX 300)		Diesel		12903	300	408	10.05-	■	■
FA 105.460 (MX 340)		Diesel		12903	340	462	10.05-	■	■
FAD 105.460 (MX 340)		Diesel		12903	340	462	10.05-	■	■
FAK 105.460 (MX 340)		Diesel		12903	340	462	10.05-	■	■
FAN 105.460		Diesel		12903	340	462	10.05-	■	■
FAR 105.460		Diesel		12903	340	462	10.05-	■	■
FAS 105.460, FAR 105.460 (MX 340)		Diesel		12903	340	462	10.05-	■	■
FAT 105.460 (MX 340)		Diesel		12903	340	462	10.05-	■	■
FA 105.510 (MX 375)		Diesel		12903	375	510	10.05-	■	■
FAD 105.510 (MX 375)		Diesel		12903	375	510	10.05-	■	■
FAK 105.510 (MX 375)		Diesel		12903	375	510	10.05-	■	■
FAN 105.510		Diesel		12903	375	510	10.05-	■	■
FAR 105.510		Diesel		12903	375	510	10.05-	■	■
FAS 105.510, FAR 105.510 (MX 375)		Diesel		12903	375	510	10.05-	■	■
FAT 105.510 (MX 375)		Diesel		12903	375	510	10.05-	■	■
<b>XF 105 10.05-</b>								<b>Truck Tractor</b>	
FT 105.410 (MX 300)		Diesel		12903	300	408	10.05-	■	■
FTG 105.410 (MX 300)		Diesel		12903	300	408	10.05-	■	■
FTG 105.410		Diesel		12903	300	408	10.05-	■	■
FTM 105.410 (MX 300)		Diesel		12903	300	408	10.05-	■	■
FTP 105.410		Diesel		12903	300	408	10.05-	■	■
FTS 105.410, FTR 105.410 (MX 300)		Diesel		12903	300	408	10.05-	■	■
FTT 105.410 (MX 300)		Diesel		12903	300	408	10.05-	■	■
FT 105.460 (MX 340)		Diesel		12903	340	462	10.05-	■	■
FTG 105.460 (MX 340)		Diesel		12903	340	462	10.05-	■	■
FTG 105.460		Diesel		12903	340	462	10.05-	■	■

# LISTA DE APLICACIONES - BUYERS GUIDE

FTM 105.460 (MX 340)		Diesel		12903	340	460	10.05-	■	■	
FTP 105.460		Diesel		12903	340	462	10.05-	■	■	
FTS 105.460, FTR 105.460 (MX 340)		Diesel		12903	340	462	10.05-	■	■	
FTT 105.460 (MX 340)		Diesel		12903	340	462	10.05-	■	■	
FT 105.510 (MX 375)		Diesel		12903	375	510	10.05-	■	■	
FTG 105.510 (MX 375)		Diesel		12903	375	510	10.05-	■	■	
FTG 105.510		Diesel		12903	375	510	10.05-	■	■	
FTM 105.510 (MX 375)		Diesel		12903	375	510	10.05-	■	■	
FTS 105.510, FTR 105.510 (MX 375)		Diesel		12903	375	510	10.05-	■	■	
FTT 105.510 (MX 375)		Diesel		12903	375	510	10.05-	■	■	
<b>XF 95 01.02-12.06</b>							<b>Platform/Chassis</b>			
FA 95.380 (XE 280 C)		Diesel		12580	280	381	09.02-12.06	■	■	
FAD 95.380 (XE 280 C)		Diesel		12580	280	381	01.02-12.06	■	■	
FAK 95.380 (XE 280 C)		Diesel		12580	280	381	01.02-12.06	■	■	
FAK 95.380 (XF 280 M)		Diesel		12580	280	381	01.02-12.06	■	■	
FAN 95.380 (XE 280 C)		Diesel		12580	280	381	01.02-12.06	■	■	
FAR 95.380 (XE 280 C)		Diesel		12580	280	381	09.02-12.06	■	■	
FAS 95.380 (XE 280 C)		Diesel		12580	280	381	01.02-12.06	■	■	
FAT 95.380 (XE 280 C)		Diesel		12580	280	381	01.02-12.06	■	■	
FA 95.430 (XE 315 C)		Diesel		12580	315	428	09.02-12.06	■	■	
FAD 95.430 (XE 315 C)		Diesel		12580	315	428	01.02-12.06	■	■	
FAK 95.430 (XE 315 C)		Diesel		12580	315	430	01.02-12.06	■	■	
FAK 95.430 (XF 315 M)		Diesel		12580	315	430	01.02-12.06	■	■	
FAN 95.430 (XE 315 C)		Diesel		12580	315	430	01.02-12.06	■	■	
FAR 95.430 (XE 315 C)		Diesel		12580	315	428	09.02-12.06	■	■	
FAS 95.430 (XE 315 C)		Diesel		12580	315	430	01.02-12.06	■	■	
FAT 95.430 (XE 315 C)		Diesel		12580	315	428	01.02-12.06	■	■	
FA 95.480 (XE 355 C)		Diesel		12580	355	483	09.02-12.06	■	■	
FAD 95.480 (XE 355 C)		Diesel		12580	355	483	01.02-12.06	■	■	
FAK 95.480 (XE 355 C)		Diesel		12580	355	480	01.02-12.06	■	■	
FAK 95.480 (XF 355 M)		Diesel		12580	355	480	01.02-12.06	■	■	
FAN 95.480 (XE 355 C)		Diesel		12580	355	480	01.02-12.06	■	■	
FAR 95.480 (XE 355 C)		Diesel		12580	355	483	09.02-12.06	■	■	
FAS 95.480 (XE 355 C)		Diesel		12580	355	480	01.02-12.06	■	■	
FAT 95.480 (XE 355 C)		Diesel		12580	355	480	01.02-12.06	■	■	
FA 95.530 (XE 390 C)		Diesel		12580	390	530	09.02-12.06	■	■	
FAD 95.530 (XE 390 C)		Diesel		12580	390	530	09.02-03.06	■	■	
FAK 95.530 (XE 390 C)		Diesel		12580	390	530	09.02-03.06	■	■	
FAN 95.530 (XE 390 C)		Diesel		12580	390	530	09.02-03.06	■	■	
FAR 95.530 (XE 390 C)		Diesel		12580	390	530	09.02-12.06	■	■	
FAS 95.530 (XE 390 C)		Diesel		12580	390	530	09.02-03.06	■	■	
FAT 95.530 (XE 390 C)		Diesel		12580	390	530	09.02-03.06	■	■	
<b>XF 95 01.02-12.06</b>							<b>Truck Tractor</b>			
FT 95.380 (XE 280 C)		Diesel		12580	280	381	09.02-12.06	■	■	
FTG 95.380 (XE 280 C)		Diesel		12580	280	381	09.02-12.06	■	■	
FTM 95.380 (XE 280 C)		Diesel		12580	280	381	12.05-12.06	■	■	
FTP 95.380 (XE 280 C)		Diesel		12580	280	381	01.02-12.06	■	■	
FTP 95.380 (XF 280 M)		Diesel		12580	280	381	01.02-12.06	■	■	
FTR 95.380 (XE 280 C)		Diesel		12580	280	381	01.02-12.06	■	■	
FTS 95.380 (XE 280 C)		Diesel		12580	280	381	01.02-12.06	■	■	
FTT 95.380 (XE 280 C)		Diesel		12580	280	381	01.02-03.06	■	■	

# LISTA DE APLICACIONES - BUYERS GUIDE

FT 95.430 (XE 315 C)		Diesel		12580	315	428	09.02-12.06	■	■
FTG 95.430 (XE 315 C)		Diesel		12580	315	428	12.05-12.06	■	■
FTM 95.430 (XE 315 C)		Diesel		12580	315	430	12.05-12.06	■	■
FTP 95.430 (XE 315 C)		Diesel		12580	315	430	01.02-12.06	■	■
FTP 95.430 (XF 315 M)		Diesel		12580	315	430	01.02-12.06	■	■
FTR 95.430 (XE 315 C)		Diesel		12580	315	430	01.02-12.06	■	■
FTS 95.430 (XE 315 C)		Diesel		12580	315	430	01.02-12.06	■	■
FTT 95.430 (XE 315 C)		Diesel		12580	315	430	01.02-03.06	■	■
FT 95.480 (XE 355 C)		Diesel		12580	355	483	09.02-12.06	■	■
FTG 95.480 (XE 355 C)		Diesel		12580	355	483	12.05-12.06	■	■
FTM 95.480 (XE 355 C)		Diesel		12580	355	483	12.05-12.06	■	■
FTP 95.480 (XE 355 C)		Diesel		12580	355	480	01.02-12.06	■	■
FTP 95.480 (XF 355 M)		Diesel		12580	355	480	01.02-12.06	■	■
FTR 95.480 (XE 355 C)		Diesel		12580	355	480	01.02-12.06	■	■
FTS 95.480 (XE 355 C)		Diesel		12580	355	480	01.02-12.06	■	■
FTT 95.480 (XE 355 C)		Diesel		12580	355	483	01.02-03.06	■	■
FT 95.530 (XE 390 C)		Diesel		12580	390	530	09.02-12.06	■	■
FTG 95.530 (XE 390 C)		Diesel		12580	390	530	09.02-12.06	■	■
FTM 95.530 (XE 390 C)		Diesel		12580	390	530	09.02-12.06	■	■
FTP 95.530 (XE 390 C)		Diesel		12580	390	530	09.02-03.06	■	■
FTR 95.530 (XE 390 C)		Diesel		12580	390	530	09.02-03.06	■	■
FTS 95.530 (XE 390 C)		Diesel		12580	390	530	09.02-03.06	■	■
FTT 95.530 (XE 390 C)		Diesel		12580	390	530	09.02-03.06	■	■

## DENNIS

<b>OLYMPUS 10.09-</b>								<b>Municipal Vehicle</b>	
OL-10N, OL-13W, OL-16W (D7F260)		Diesel		7146	191	260	10.09-	■	■
OL-14N, OL-16W (D7F260)		Diesel		7146	191	260	10.09-	■	■
OL-16N, OL-19W (D7F260)		Diesel		7146	191	260	12.09-	■	■
OL-19N, OL-21W, OL-23W (D7F260)		Diesel		7146	191	260	12.09-	■	■
OL-19W, OL-21W, OL-23W (D7F260)		Diesel		7146	191	260	12.09-	■	■
OL-27W (D7F260)		Diesel		7146	191	260	12.09-	■	■
OL-10N, OL-13W, OL-16W (D7F300)		Diesel		7146	221	301	10.09-	■	■
OL-14N, OL-16W (D7F300)		Diesel		7146	221	301	12.09-	■	■
OL-16N, OL-19W (D7F300)		Diesel		7146	221	301	12.09-	■	■
OL-19N, OL-21W, OL 23W (D7F300)		Diesel		7146	221	301	12.09-	■	■
OL-19W, OL-21W, OL 23W (D7F300)		Diesel		7146	221	301	12.09-	■	■
OL-27W (D7F300)		Diesel		7146	221	301	12.09-	■	■

## ERF

<b>ECL 04.02-</b>								<b>Dump Truck</b>	
7.28 RD3 / TP3 (D 0836 LF 03)		Diesel		6871	206	280	04.02-	■	■
<b>ECL 04.02-</b>								<b>Platform/Chassis</b>	
7.28 RD3 / TP3 (D 0836 LF 03)		Diesel		6871	206	280	04.02-	■	■
<b>ECM 04.02-</b>								<b>Platform/Chassis</b>	
6.22 RD2		Diesel		5883	162	220	02.03-12.07	■	■
7.22 RD2 (D 0826 LF15)		Diesel		6871	162	220	04.02-12.07	■	■
7.22 RD2 (D 0826 LF18)		Diesel		6871	162	220	04.02-12.07	■	■
7.28 RD2		Diesel		6871	206	280	04.02-12.07	■	■
7.28 RR3		Diesel		6871	206	208	04.02-12.07	■	■

# LISTA DE APLICACIONES - BUYERS GUIDE

ECT 04.02-					Dump Truck				
32.35 BB (D 2066 LF 03)	Diesel		10518	257	350	02.05-	■	■	
ECT 04.02-					Platform/Chassis				
10.35 DB2 (D 2066 LF 03)	Diesel		10518	257	350	02.05-	■	■	
10.35 RDB3 (D 2066 LF 03)	Diesel		10518	257	350	02.05-	■	■	
10.43 DB2 (D 2066 LF 01)	Diesel		10518	316	430	02.05-	■	■	
10.43 RDB3 (D 2066 LF 01)	Diesel		10518	316	430	02.05-	■	■	
11.39 DB2	Diesel		10824	283	385	04.02-	■	■	
11.39 RDB3	Diesel		10824	283	385	04.02-	■	■	
18.380 FLRC (ISME 385)	Diesel		10824	283	380	06.03-	■	■	
26.380 FNLRC, FNLLRC (ISME 385)	Diesel		10824	283	380	06.03-	■	■	
11.42 DB2	Diesel		10824	309	420	04.02-	■	■	
11.42 RDB3	Diesel		10824	309	420	04.02-	■	■	
18.420 FLRC (ISME 420)	Diesel		10824	309	420	06.03-	■	■	
26.420 FNLRC, FNLLRC (ISME 420)	Diesel		10824	309	420	06.03-	■	■	
12.36 DB2 (D 2866 LF27)	Diesel		11967	265	360	04.02-	■	■	
12.36 DB2 (D 2866 LF37)	Diesel		11967	265	360	04.02-	■	■	
13.46 RDB3	Diesel		12816	338	460	04.02-	■	■	
13.48 RDB3 (D 2876 LF 12)	Diesel		12816	353	480	02.05-	■	■	
ECT 04.02-					Truck Tractor				
10.35 ST (D 2066 LF 03)	Diesel		10518	257	350	02.05-	■	■	
10.43 MT, MTL (D 2066 LF 01)	Diesel		10518	316	430	02.05-	■	■	
10.43 ST (D 2066 LF 01)	Diesel		10518	316	430	02.05-	■	■	
11.39 MT, MTL	Diesel		10824	283	385	04.02-	■	■	
11.39 ST	Diesel		10824	283	385	04.02-	■	■	
18.380 FLRS (ISME 385)	Diesel		10824	283	380	07.05-	■	■	
24.380 FPLRS (ISME 385)	Diesel		10824	283	380	07.05-	■	■	
26.380 FPLRS (ISME 385)	Diesel		10824	283	380	07.05-	■	■	
11.42 MT, MTL	Diesel		10824	309	420	04.02-	■	■	
11.42 ST	Diesel		10824	309	420	04.02-	■	■	
18.420 FLRS (ISME 420)	Diesel		10824	309	420	07.05-	■	■	
24.420 FPLRS (ISME 420)	Diesel		10824	309	420	07.05-	■	■	
26.420 FPLRS (ISME 420)	Diesel		10824	309	420	07.05-	■	■	
12.36 ST (D 2866 LF27)	Diesel		11967	265	360	04.02-	■	■	
12.36 ST (D 2866 LF37)	Diesel		11967	265	360	04.02-	■	■	
13.46 DT	Diesel		12816	338	460	04.02-	■	■	
13.46 MT, MTL	Diesel		12816	338	460	04.02-	■	■	
13.48 DT (D 2876 LF 12)	Diesel		12816	353	480	02.05-	■	■	
13.48 MT, MTL (D 2876 LF 12)	Diesel		12816	353	480	02.05-	■	■	
13.48 ST (D 2876 LF 12)	Diesel		12816	353	480	02.05-	■	■	
FRUEHAUF									
Eje/Axle					Trailer Axle				
Llanta 22.5" SB 7000						01.53-	■		
IVECO									
09.21-					Bus				
12m	Diesel		8709	228	310	09.21-	■		
18.75M	Diesel		8709	265	360	09.21-	■		
09.21-					Bus				
12m CNG	Gasolina		8709	228	310	09.21-	■		

# LISTA DE APLICACIONES - BUYERS GUIDE

18.75M CNG		Gasolina		8709	264	359	09.21-		■
<b>09.21-</b>									<b>Bus</b>
12M ELECTRIC		Mixto		0	410	557	05.23-		■
<b>04.21-</b>									<b>Concrete Mixer</b>
AD410T41B		Diesel		12882	302	411	04.21-		■
AD410T45B		Diesel		12882	331	450	04.21-		■
AD410T51B		Diesel		12882	375	510	04.21-		■
<b>04.21-</b>									<b>Platform/Chassis</b>
AD410T41		Diesel		12882	302	411	04.21-		■
AD410T45		Diesel		12882	331	450	04.21-		■
AD410T45P		Diesel		12882	331	450	04.21-		■
AT410T45		Diesel		12882	331	450	04.21-		■
AT410T45P		Diesel		12882	331	450	04.21-		■
AD410T46 MY24		Diesel		12882	338	460	11.23-		■
AD410T50 MY24		Diesel		12882	368	500	11.23-		■
AD410T50P MY24		Diesel		12882	368	500	11.23-		■
AD410T51		Diesel		12882	375	510	04.21-		■
AD410T51P		Diesel		12882	375	510	04.21-		■
AT410T51		Diesel		12882	375	510	04.21-		■
AT410T51P		Diesel		12882	375	510	04.21-		■
AD410T54 MY24		Diesel		12882	397	540	11.23-		■
AD410T54P MY24		Diesel		12882	397	540	11.23-		■
<b>04.21-</b>									<b>Truck Tractor</b>
AD720T51T		Diesel		12882	375	510	04.21-		■
<b>EuroCargo I-III 01.91-09.15</b>									<b>Dump Truck</b>
170 E 15 K (8060.25R.4280)		Diesel		5861	105	143	12.91-07.00		■
180 E 21 K tector (F4AE0681D)		Diesel		5883	154	209	09.00-09.15		■ ■
180 E 24 K tector (F4AE0681B)		Diesel		5883	176	240	09.00-09.15		■ ■
180 E 25 K tector (F4AE3681D)		Diesel		5883	185	252	09.06-09.15		■ ■
180 E 28 K tector (F4AE0681A)		Diesel		5883	202	275	09.00-09.15		■ ■
180 E 28 K tector (F4AE3681E)		Diesel		5883	202	275	09.00-09.15		■ ■
260 E 28 K tector, 260 E 28 KE tector (F4AE0681A)		Diesel		5883	202	275	09.00-09.15		■ ■
180 E 30 K tector (F4AE0681A)		Diesel		5883	220	299	09.06-09.15		■ ■
180 E 30 K tector (F4AE3681A)		Diesel		5883	220	299	09.06-09.15		■ ■
260 E 27 KE (8360.46.417)		Diesel		7685	196	267	09.00-09.15		■ ■
260 E 27 KE (8360.46.417 TCA)		Diesel		7685	196	267	09.00-09.15		■ ■
<b>EuroCargo I-III 01.91-09.15</b>									<b>Platform/Chassis</b>
180 E 21 tector (F4AE0681C)		Diesel		5883	154	209	09.00-09.15		■ ■
180 E 21 tector (F4AE0681D)		Diesel		5883	154	209	09.00-09.15		■ ■
180 E 22 tector, 180 E 22 P tector (F4AE3681B)		Diesel		5883	160	218	09.06-09.15		■ ■
180 E 24, 180 E 25 tector (F4AE0681B)		Diesel		5883	176	240	09.00-09.15		■ ■
180 E 24, 180 E 25 tector (F4AE3681D)		Diesel		5883	176	240	09.00-09.15		■ ■
190 EL 25 tector, 190 EL 25 P tector (F4AE3681D)		Diesel		5883	185	252	05.08-09.15		■ ■
230 E 25 tector (F4AE3681D)		Diesel		5883	185	251	05.09-09.15		■ ■
180 E 28 tector, 180 E 28 P tector (F4AE0681A)		Diesel		5883	202	275	09.00-09.15		■ ■
180 E 28 tector, 180 E 28 P tector (F4AE3681E)		Diesel		5883	202	275	09.00-09.15		■ ■
190EL.28		Diesel		5883	202	275	05.02-07.07		■ ■

# LISTA DE APLICACIONES - BUYERS GUIDE

190EL.28P		Diesel		5883	202	275	05.02-07.07	■	■
225 E 28 tector (F4AE0681A)		Diesel		5883	202	275	09.06-09.15	■	■
230 E 28 tector (F4AE0681A)		Diesel		5883	202	275	09.06-09.15	■	■
190 E 28 tector, 190 E 28 P tector (F4AE3681E)		Diesel		5883	205	279	05.08-09.15	■	■
180 E 30 tector, 180 E 30 P tector (F4AE0681A)		Diesel		5883	220	299	08.06-09.15	■	■
180 E 30 tector, 180 E 30 P tector (F4AE3681A)		Diesel		5883	220	299	08.06-09.15	■	■
190 E 30 tector, 190 E 30 P tector (F4AE3681A)		Diesel		5883	220	299	05.08-09.15	■	■
230 E 30 tector (F4AE3681A)		Diesel		5883	220	299	02.08-09.15	■	■
<b>EuroCargo I-III 01.91-09.15</b>					<b>Truck Tractor</b>				
320 E 28 T tector (F4AE0681A)		Diesel		5883	202	275	09.00-09.15	■	■
<b>EuroCargo V 09.15-</b>					<b>Platform/Chassis</b>				
180E.25FP MY19		Diesel		6728	185	252	02.19-	■	■
180E.25 MY19		Diesel		6728	185	252	02.19-	■	■
180E.25P MY19		Diesel		6728	185	252	02.19-	■	■
190EL.25FP MY19		Diesel		6728	185	252	02.19-	■	■
190EL.25 MY19		Diesel		6728	185	252	02.19-	■	■
190EL.25P MY19		Diesel		6728	185	252	02.19-	■	■
180E.28FP MY19		Diesel		6728	206	280	02.19-	■	■
180E.28 MY19		Diesel		6728	206	280	02.19-	■	■
180E.28P MY19		Diesel		6728	206	280	02.19-	■	■
190EL.28FP MY19		Diesel		6728	206	280	02.19-	■	■
190EL.28 MY19		Diesel		6728	206	280	02.19-	■	■
190EL.28P MY19		Diesel		6728	206	280	02.19-	■	■
180E.32FP MY19		Diesel		6728	235	320	02.19-	■	■
180E.32 MY19		Diesel		6728	235	320	02.19-	■	■
180E.32P MY19		Diesel		6728	235	320	02.19-	■	■
190EL.32FP MY19		Diesel		6728	235	320	02.19-	■	■
190EL.32 MY19		Diesel		6728	235	320	02.19-	■	■
190EL.32P MY19		Diesel		6728	235	320	02.19-	■	■
<b>EuroRider 01.92-</b>									
391.12.35		Diesel		11995			01.92-	■	■
<b>EuroStar 01.93-10.02</b>					<b>Platform/Chassis</b>				
LD 190 E 38 P (8460.41L TCA)		Diesel		9498	276	375	01.93-02.02	■	■
LD 240 E 38 (8460.41L.5020)		Diesel		9498	276	375	01.93-02.02	■	■
LD 240 E 38		Diesel		9498	276	375	01.93-02.02	■	■
LD 260 E 38 P (8460.41L TCA)		Diesel		9498	276	375	01.93-02.02	■	■
LD 190 E 39 P, LD 190 E 39 FP (F3AE0681E)		Diesel		10308	287	390	11.99-02.02	■	■
LD 260 E 39 P, LD 260 E 39 FP (F3AE0681E)		Diesel		10308	287	390	11.99-02.02	■	■
LD 190 E 40 (F3AE0681B)		Diesel		10308	294	400	09.00-02.02	■	■
LD 260 E 40 (F3AE0681B)		Diesel		10308	294	400	09.00-02.02	■	■
LD 260 E 40		Diesel		10308	294	400	09.00-02.02	■	■
LD 190 E 43, LD 190 E 43 P, LD 190 E 43 FP (F3AE0681D)		Diesel		10308	316	430	11.99-02.02	■	■
LD 260 E 43 Y/PS, LD 260 E 43 FP (F3AE0681D)		Diesel		10308	316	430	01.93-02.02	■	■
LD 260 E 43 Y/PS, LD 260 E 43 FP		Diesel		10308	316	430	01.93-02.02	■	■
LD 260 E 48 Y/PS (F3BE0681E)		Diesel		12882	353	480	01.93-02.02	■	■
LD 190 E 42, LD 190 E 42 P (8210.42L(TCA))		Diesel		13798	309	420	01.93-02.02	■	■
LD 190 E 42, LD 190 E 42 P (8210.42L.400)		Diesel		13798	309	420	01.93-02.02	■	■

## LISTA DE APLICACIONES - BUYERS GUIDE

LD 240 E 42 FS, LD 240 E 42 PS (8210.42L TCA))	Diesel		13798	309	420	01.93-02.02	■		
LD 240 E 42 FS, LD 240 E 42 PS (8210.42L.400)	Diesel		13798	309	420	01.93-02.02	■		
LD 240 E 42 FS, LD 240 E 42 PS	Diesel		13798	309	420	01.93-02.02	■		
LD 260 E 42 P (8210.42L.)	Diesel		13798	309	420	01.93-02.02	■	■	
LD 190 E 47 (8210.42M. TCA)	Diesel		13798	345	469	01.93-02.02	■	■	
LD 240 E 47 PS (8210.42M. TCA)	Diesel		13798	345	469	01.93-02.02	■		
LD 240 E 47 PS	Diesel		13798	345	469	01.93-02.02	■		
LD 260 E 47 (8210.42M. TCA)	Diesel		13798	345	469	01.93-02.02	■	■	
LD 190 E 52 (8280.42S. TCA)	Diesel		17173	378	514	01.93-02.02	■		
LD 240 E 52 PS (8280.42S. TCA)	Diesel		17173	378	514	01.93-02.02	■		
LD 240 E 52 PS	Diesel		17173	378	514	01.93-02.02	■		
LD 260 E 52 (8280.42S. TCA)	Diesel		17173	378	514	01.93-02.02	■	■	
<b>EuroStar 01.93-10.02</b>							<b>Truck Tractor</b>		
LD 400 E 38 TX/P, LD 440 E 38 TX/P (8460.41L TCA)	Diesel		9498	276	375	01.93-02.02	■		
LD 400 E 38 TX/P, LD 440 E 38 TX/P (8460.41L.5020)	Diesel		9498	276	375	01.93-02.02	■		
LD 400 E 38 TX/P, LD 440 E 38 TX/P (8460.41N)	Diesel		9498	276	375	01.93-02.02	■		
LD 440 E 38 T (8460.41L TCA)	Diesel		9498	276	375	01.93-02.02	■	■	
LD 440 E 38 T (8460.41N)	Diesel		9498	276	375	01.93-02.02	■	■	
LD 440 E 38 TZ (8460.41L TCA)	Diesel		9498	276	375	01.93-02.02	■	■	
LD 440 E 38 TZ (8460.41N)	Diesel		9498	276	375	01.93-02.02	■	■	
LD 440 E 39 T, LD 440 E 39 T/P (F3AE0681E)	Diesel		10308	287	390	11.99-02.02	■	■	
LD 440 E 39 TX, LD 440 E 39 TX/P (F3AE0681E)	Diesel		10308	287	390	11.99-10.02	■		
LD 440 E 40 T (F3AE0681B)	Diesel		10308	294	400	09.00-02.02	■	■	
LD 440 E 40 TX/P (F3AE0681B)	Diesel		10308	294	400	01.01-02.02	■	■	
LD 440 E 43 T/P (F3AE0681D)	Diesel		10308	316	430	01.93-02.02	■	■	
LD 440 E 43 TX/P (F3AE0681D)	Diesel		10308	316	430	11.99-02.02	■	■	
LD 440 E 48 T/P (F3BE0681E)	Diesel		12882	353	480	01.01-02.02	■	■	
LD 400 E 42 TX/P, LD 440 E 42 TX/P (8210.42L.)	Diesel		13798	309	420	01.93-02.02	■		
LD 440 E 42 T/P (8210.42L(TCA))	Diesel		13798	309	420	01.93-02.02	■	■	
LD 440 E 42 T/P (8210.42L.)	Diesel		13798	309	420	01.93-02.02	■	■	
LD 440 E 42 TZ (8210.42L.)	Diesel		13798	309	420	01.93-02.02	■	■	
LD 440 E 47 T/P (8210.42M. TCA)	Diesel		13798	345	469	01.93-02.02	■	■	
LD 440 E 47 TZ (8210.42M. TCA)	Diesel		13798	345	469	01.93-02.02	■	■	
LD 440 E 52 T (8280.42S. TCA)	Diesel		17173	378	514	01.93-02.02	■	■	
LD 440 E 52 TZ (8280.42S. TCA)	Diesel		17173	378	514	01.93-02.02	■	■	
<b>EuroTech MH 01.98-</b>							<b>Dump Truck</b>		
190 E 24 K (F2BE0681D)	Diesel		7790	180	245	09.98-	■	■	
190 E 27 K (F2BE0681C)	Diesel		7790	200	272	09.98-	■	■	
190 E 27 K (F2BE0681F)	Diesel		7790	200	272	09.98-	■	■	
190 E 31 K (F2BE0681B)	Diesel		7790	228	310	09.98-	■	■	
<b>EuroTech MH 01.98-</b>							<b>Platform/Chassis</b>		
190 E 24, 190 E 24 /P (F2BE0681D)	Diesel		7790	180	245	09.98-	■	■	
260 E 24 Y/P, 260 E 24 Y/PS, 260 E 24 Y/PT (F2BE0681D)	Diesel		7790	180	245	11.99-	■	■	
260 E 24 Y/P, 260 E 24 Y/PS, 260 E 24 Y/PT	Diesel		7790	180	245	11.99-	■		
190 E 27, 190 E 27 /P (F2BE0681C)	Diesel		7790	200	272	09.98-	■	■	
190 E 27, 190 E 27 /P (F2BE0681F)	Diesel		7790	200	272	09.98-	■	■	

## LISTA DE APLICACIONES - BUYERS GUIDE

260 E 27 Y/P, 260 E 27 Y/PS, 260 E 27 RY/PS, 260 E 27 RY/PT (F2BE0681C)	Diesel		7790	200	272	11.99-	■	■	
260 E 27 Y/P, 260 E 27 Y/PS, 260 E 27 RY/PS, 260 E 27 RY/PT (F2BE0681F)	Diesel		7790	200	272	11.99-	■	■	
260 E 27 Y/P, 260 E 27 Y/PS, 260 E 27 RY/PS, 260 E 27 RY/PT	Diesel		7790	200	272	11.99-	■		
190 E 30, 190 E 30 /P (F2BE0681E)	Diesel		7790	218	296	01.00-	■		
260 E 30 Y/PS (F2BE0681E)	Diesel		7790	218	296	01.00-	■		
260 E 30 Y/PS	Diesel		7790	218	296	01.00-	■		
190 E 31, 190 E 31 /P (F2BE0681B)	Diesel		7790	228	310	09.98-	■	■	
260 E 31 Y/P, 260 E 31 Y/PS, 260 E 31 Y/PT (F2BE0681B)	Diesel		7790	228	310	11.99-	■	■	
260 E 31 Y/P, 260 E 31 Y/PS, 260 E 31 Y/PT	Diesel		7790	228	310	11.99-	■		
190 E 35, 190 E 35 /P, 190 E 35 /FP (F2BE0681A)	Diesel		7790	259	352	09.98-	■	■	
260 E 35 Y/P, 260 E 35 Y/PT, 260 E 35 Y/TN (F2BE0681A)	Diesel		7790	259	352	11.99-	■	■	
260 E 35 Y/P, 260 E 35 Y/PT, 260 E 35 Y/TN	Diesel		7790	259	352	11.99-	■		
<b>EuroTech MH 01.98-</b>							<b>Truck Tractor</b>		
400 E 31 TP, 440 E 31 T, 440 E 31 TP (F2BE0681B)	Diesel		7790	228	310	09.98-	■	■	
400 E 35 TP, 440 E 35 T, 440 E 35 T/P, 440 E 35 T/FP (F2BE0681A)	Diesel		7790	259	352	09.98-	■	■	
440 E 35 TX/P (F2BE0681A)	Diesel		7790	259	352	02.00-	■		
<b>EuroTech MP 01.92-</b>							<b>Platform/Chassis</b>		
240 E 30 PS (8460.41C. TCA)	Diesel		9498	221	301	01.97-	■		
180 E 34 (8460.41K.406)	Diesel		9498	254	345	01.92-12.93	■		
190 E 34 (8460.41K.406)	Diesel		9498	254	345	01.93-	■		
240 E 34 (8460.41K. TCA)	Diesel		9498	254	345	09.95-12.96	■		
180 E 38 (8460.41L.5020)	Diesel		9498	276	375	01.92-12.93	■		
190 E 38 (8460.41L TCA)	Diesel		9498	276	375	01.93-	■		
240 E 38 (8460.41L.5020)	Diesel		9498	276	375	01.92-	■		
240 E 38	Diesel		9498	276	375	01.92-	■		
260 E 38 P (8460.41N)	Diesel		9498	276	375	01.94-	■		
190 E 39, 190 E 39 /P, 190 E39 /FP (F3AE0681E)	Diesel		10308	287	390	11.99-	■		
260 E 39 Y, 260 E 39 Y/P, 260 E 39 Y/FP, 260 E 39 Y/FS (F3AE0681E)	Diesel		10308	287	390	11.99-	■		
190 E 40 /P (F3AE0681B)	Diesel		10308	294	400	01.01-	■		
260 E 40 (F3AE0681B)	Diesel		10308	294	400	01.01-	■		
260 E 40	Diesel		10308	294	400	01.01-	■		
190 E 43, 190 E 43 /P (F3AE0681D)	Diesel		10308	316	430	01.01-	■		
260 E 43 Y, 260 E 43 Y/P (F3AE0681D)	Diesel		10308	316	430	11.99-	■		
180 E 42 (8210.42L.400)	Diesel		13798	309	420	01.92-12.93	■		
190 E 42, 190 E 42 /P (8210.42L.400)	Diesel		13798	309	420	01.93-	■		
240 E 42 (8210.42L.400)	Diesel		13798	309	420	01.92-	■		
240 E 42	Diesel		13798	309	420	01.92-	■		
260 E 42 (8210.42L.400)	Diesel		13798	309	420	01.94-	■		
<b>EuroTech MP 01.92-</b>							<b>Truck Tractor</b>		
400 E 34 T, 440 E 34 T (8460.41K.406)	Diesel		9498	254	345	01.92-	■		
400 E 38 T, 440 E 38 T, 440 E 38 T /P (8460.41L.5020)	Diesel		9498	276	375	01.92-	■		
400 E 38 T, 440 E 38 T, 440 E 38 T /P (8460.41N)	Diesel		9498	276	375	01.92-	■		
400 E 38 TXP (8460.41L.5020)	Diesel		9498	276	375	11.93-12.96	■		
400 E 38 TXP (8460.41N)	Diesel		9498	276	375	11.93-12.96	■		
440 E 38 TZ (8460.41L TCA)	Diesel		9498	276	375	01.93-	■	■	

# LISTA DE APLICACIONES - BUYERS GUIDE

440 E 39 T, 440 E 39 T/P, 440 E 39 T/FP-CT (F3AE0681E)	Diesel		10308	287	390	11.99-	■		
440 E 39 TX/P (F3AE0681E)	Diesel		10308	287	390	11.99-	■		
440 E 40 T/P (F3AE0681B)	Diesel		10308	294	400	09.00-	■		
440 E 40 TX/P (F3AE0681B)	Diesel		10308	294	400	01.01-	■		
440 E 43 T, 440 E 43 T/P (F3AE0681D)	Diesel		10308	316	430	11.99-	■		
440 E 43 TX/P (F3AE0681D)	Diesel		10308	316	430	11.99-	■		
400 E 42 T, 440 E 42 T, 440 E 42 T/P (8210.42L(TCA))	Diesel		13798	309	420	01.92-	■		
400 E 42 T, 440 E 42 T, 440 E 42 T/P (8210.42L.400)	Diesel		13798	309	420	01.92-	■		
440 E 42 TZ (8210.42L.400)	Diesel		13798	309	420	01.93-	■	■	
4500	Diesel		14015	321	437	01.02-	■	■	
4500	Diesel		14015	351	477	01.02-	■	■	
4500	Diesel		14015	373	507	01.02-	■	■	
4500	Diesel		14951	410	558	01.02-	■	■	
<b>EuroTech MT 01.92-08.98</b>							<b>Dump Truck</b>		
180 E 24 K (8360.46R.416 TCA)	Diesel		7685	176	239	01.93-12.96	■	■	
190 E 24 K (8360.46R.416 TCA)	Diesel		7685	176	239	01.97-08.98	■	■	
180 E 27 K (8360.46.417 TCA)	Diesel		7685	196	267	01.92-12.96	■	■	
190 E 27 K (8360.46.417 TCA)	Diesel		7685	196	267	01.97-08.98	■	■	
190 E 30 K (8460.41C.320)	Diesel		9498	221	301	01.97-08.98	■	■	
<b>EuroTech MT 01.92-08.98</b>							<b>Platform/Chassis</b>		
180 E 24 (8360.46R.416 TCA)	Diesel		7685	176	239	01.92-12.96	■	■	
190 E 24 (8360.46R.416 TCA)	Diesel		7685	176	239	01.97-08.98	■	■	
180 E 27 (8360.46.417 TCA)	Diesel		7685	196	267	01.92-12.96	■	■	
190 E 27 (8360.46.417 TCA)	Diesel		7685	196	267	01.97-08.98	■	■	
180 E 30 R (8460.41C.320)	Diesel		9498	221	301	01.92-12.96	■	■	
190 E 30 (8460.41C.320)	Diesel		9498	221	301	01.97-08.98	■	■	
180 E 34 R (8460.41K.406)	Diesel		9498	254	345	01.92-12.93	■	■	
<b>EuroTech MT 01.92-08.98</b>							<b>Truck Tractor</b>		
400 E 30 T (8460.41C.320)	Diesel		9498	221	301	01.92-08.98	■	■	
400 E 34 T (8460.41K.406)	Diesel		9498	254	345	01.92-08.98	■	■	
<b>EuroTrakker 01.93-12.06</b>							<b>Concrete Mixer</b>		
MP 260 E 31 HB Cursor (F2BE0681B)	Diesel		7790	228	310	11.99-11.04	■	■	
MP 340 E 35 HB Cursor (F2BE0681A)	Diesel		7790	259	352	01.01-11.04	■	■	
MP 340 E 38 HB Cursor (F3BE0681G)	Diesel		12882	280	380	01.01-11.04	■	■	
MP 380 E 38 HB Cursor (F3BE0681G)	Diesel		12882	280	380	01.01-11.04	■	■	
MP 410 E 38 HB Cursor (F3BE0681G)	Diesel		12882	280	380	01.01-11.04	■	■	
MP 340 E 44 HB Cursor (F3BE0681C)	Diesel		12882	324	440	01.01-11.04	■	■	
MP 380 E 44 HB Cursor (F3BE0681C)	Diesel		12882	324	440	01.01-11.04	■	■	
MP 410 E 44 HB Cursor (F3BE0681C)	Diesel		12882	324	440	01.01-11.04	■	■	
<b>EuroTrakker 01.93-12.06</b>							<b>Dump Truck</b>		
MP 190 E 31 H Cursor (F2BE0681B)	Diesel		7790	228	310	09.99-11.04	■	■	
MP 190 E 31 W Cursor (F2BE0681B)	Diesel		7790	228	310	09.99-11.04	■	■	
MP 260 E 31 H Cursor (F2BE0681B)	Diesel		7790	228	310	09.99-11.04	■	■	
MP 190 E 35 H Cursor (F2BE0681A)	Diesel		7790	259	352	09.99-11.04	■	■	
MP 190 E 35 W Cursor (F2BE0681A)	Diesel		7790	259	352	09.99-11.04	■	■	
MP 260 E 35 H Cursor (F2BE0681A)	Diesel		7790	259	352	01.00-11.04	■	■	
MP 260 E 35 W Cursor (F2BE0681A)	Diesel		7790	259	352	09.99-11.04	■	■	
MP 340 E 35 H Cursor (F2BE0681A)	Diesel		7790	259	352	09.99-11.04	■	■	

# LISTA DE APLICACIONES - BUYERS GUIDE

MP 190 E 30 H (8460.41C.)		Diesel		9498	221	301	01.93-11.04	■	■
MP 190 E 30 W (8460.41C.)		Diesel		9498	221	301	01.93-11.04	■	■
MP 260 E 30 H (8460.41C.)		Diesel		9498	221	301	01.93-11.04	■	■
MP 260 E 30 W (8460.41C.)		Diesel		9498	221	301	11.99-11.04	■	■
MP 260 E 30 W (8460.41C. TCA)		Diesel		9498	221	301	11.99-11.04	■	■
MP 190 E 34 H (8460.41K.)		Diesel		9498	254	345	01.93-11.04	■	■
MP 190 E 34 W (8460.41K.)		Diesel		9498	254	345	01.93-11.04	■	■
MP 260 E 34 H (8460.41K.)		Diesel		9498	254	345	01.93-11.04	■	■
MP 260 E 34 W (8460.41K.)		Diesel		9498	254	345	01.93-11.04	■	■
MP 340 E 34 H (8460.41K.)		Diesel		9498	254	345	01.93-11.04	■	■
MP 380 E 34 H (8460.41K.)		Diesel		9498	254	345	01.93-11.04	■	■
MP 190 E 38 W Cursor (F3BE0681G)		Diesel		12882	280	380	01.01-11.04	■	■
MP 260 E 38 H Cursor (F3BE0681G)		Diesel		12882	280	380	01.01-11.04	■	■
MP 260 E 38 W Cursor (F3BE0681G)		Diesel		12882	280	380	01.01-11.04	■	■
MP 340 E 38 H Cursor (F3BE0681G)		Diesel		12882	280	380	01.01-11.04	■	■
MP 380 E 38 H Cursor (F3BE0681G)		Diesel		12882	280	380	01.01-11.04	■	■
MP 380 E 38 W Cursor (F3BE0681G)		Diesel		12882	280	380	01.01-11.04	■	■
MP 410 E 38 H Cursor (F3BE0681G)		Diesel		12882	280	380	01.01-11.04	■	■
MP 190 E 44 W Cursor (F3BE0681C)		Diesel		12882	324	440	09.00-11.04	■	■
MP 260 E 44 H Cursor (F3BE0681C)		Diesel		12882	324	440	01.01-11.04	■	■
MP 260 E 44 W Cursor (F3BE0681C)		Diesel		12882	324	440	01.01-11.04	■	■
MP 340 E 44 H Cursor (F3BE0681C)		Diesel		12882	324	440	01.01-11.04	■	■
MP 380 E 44 H Cursor (F3BE0681C)		Diesel		12882	324	440	01.01-11.04	■	■
MP 380 E 44 W Cursor (F3BE0681C)		Diesel		12882	324	440	01.01-11.04	■	■
MP 410 E 44 H Cursor (F3BE0681C)		Diesel		12882	324	440	01.01-11.04	■	■
MP 190 E 37 H (8210.42K.)		Diesel		13798	272	370	01.93-11.04	■	■
MP 190 E 37 W (8210.42K.)		Diesel		13798	272	370	01.93-11.04	■	■
MP 260 E 37 H (8210.42K.)		Diesel		13798	272	370	01.93-11.04	■	■
MP 260 E 37 W (8210.42K.)		Diesel		13798	272	370	01.93-11.04	■	■
MP 340 E 37 H (8210.42K.)		Diesel		13798	272	370	01.93-11.04	■	■
MP 380 E 37 H (8210.42K.)		Diesel		13798	272	370	01.93-11.04	■	■
MP 380 E 37 W (8210.42K.)		Diesel		13798	272	370	01.93-11.04	■	■
MP 410 E 37 H (8210.42K.)		Diesel		13798	272	370	01.93-11.04	■	■
MP 190 E 42 H (8210.42L.)		Diesel		13798	309	420	01.93-11.04	■	■
MP 190 E 42 W (8210.42L(TCA))		Diesel		13798	309	420	01.93-11.04	■	■
MP 190 E 42 W (8210.42L.)		Diesel		13798	309	420	01.93-11.04	■	■
MP 260 E 42 H (8210.42L.)		Diesel		13798	309	420	01.93-11.04	■	■
MP 260 E 42 W (8210.42L(TCA))		Diesel		13798	309	420	01.93-11.04	■	■
MP 260 E 42 W (8210.42L.)		Diesel		13798	309	420	01.93-11.04	■	■
MP 340 E 42 H (8210.42L.)		Diesel		13798	309	420	01.93-11.04	■	■
MP 380 E 42 H (8210.42L.)		Diesel		13798	309	420	01.93-11.04	■	■
MP 380 E 42 W (8210.42L.)		Diesel		13798	309	420	01.93-11.04	■	■
MP 410 E 42 H (8210.42L.)		Diesel		13798	309	420	01.93-11.04	■	■
<b>EuroTrakker 01.93-12.06</b>				<b>Platform/Chassis</b>					
MP 180 E 24 W Cursor (F2BE0681D)		Diesel		7790	180	245	09.99-11.04	■	■
MP 190 E 24 H Cursor (F2BE0681D)		Diesel		7790	180	245	09.99-11.04	■	■
MP 190 E 27		Diesel		7790	200	272	10.00-11.04	■	■
MP 190 E 31 H Cursor (F2BE0681B)		Diesel		7790	228	310	09.99-11.04	■	■
MP 190 E 31 W Cursor (F2BE0681B)		Diesel		7790	228	310	09.99-11.04	■	■
MP 260 E 27 H Cursor (F2BE0681B)		Diesel		7790	228	310	11.99-11.04	■	■
MP 260 E 31 H Cursor (F2BE0681B)		Diesel		7790	228	310	09.99-11.04	■	■

## LISTA DE APLICACIONES - BUYERS GUIDE

MP 190 E 35 H Cursor (F2BE0681A)		Diesel		7790	259	352	09.99-11.04	■	■
MP 190 E 35 W Cursor (F2BE0681A)		Diesel		7790	259	352	09.99-11.04	■	■
MP 260 E 35 H Cursor (F2BE0681A)		Diesel		7790	259	352	01.00-11.04	■	■
MP 260 E 35 W Cursor (F2BE0681A)		Diesel		7790	259	352	09.99-11.04	■	■
MP 340 E 35 H Cursor (F2BE0681A)		Diesel		7790	259	352	09.99-11.04	■	■
MP 380 E 35 H Cursor (F2BE0681A)		Diesel		7790	259	352	01.00-11.04	■	■
MP 380 E 35 W Cursor (F2BE0681A)		Diesel		7790	259	352	01.00-11.04	■	■
MP 410 E 35 H Cursor (F2BE0681A)		Diesel		7790	259	352	01.00-11.04	■	■
MP 180 E 25 W (8460.41 T)		Diesel		9498	185	251	05.99-11.04	■	■
MP 190 E 30 W (8460.41C.)		Diesel		9498	221	301	11.99-11.04	■	■
MP 190 E 34 W (8460.41K. TCA)		Diesel		9498	254	345	11.99-11.04	■	■
MP 260 E 34 H (8460.41K.)		Diesel		9498	254	345	11.99-11.04	■	■
MP 260 E 34 H (8460.41K. TCA)		Diesel		9498	254	345	11.99-11.04	■	■
MP 260 E 34 W (8460.41K.)		Diesel		9498	254	345	11.99-11.04	■	■
MP 260 E 34 W (8460.41K. TCA)		Diesel		9498	254	345	11.99-11.04	■	■
MP 340 E 34 H (8460.41K.)		Diesel		9498	254	345	11.99-11.04	■	■
MP 340 E 34 H (8460.41K. TCA)		Diesel		9498	254	345	11.99-11.04	■	■
MP 380 E 34 H (8460.41K.)		Diesel		9498	254	345	11.99-11.04	■	■
MP 380 E 34 H (8460.41K. TCA)		Diesel		9498	254	345	11.99-11.04	■	■
MP 380 E 34 W (8460.41K.)		Diesel		9498	254	345	11.99-11.04	■	■
MP 380 E 34 W (8460.41K. TCA)		Diesel		9498	254	345	11.99-11.04	■	■
MP 190 E 38 W Cursor (F3BE0681G)		Diesel		12882	280	380	01.01-11.04	■	■
MP 260 E 38 H Cursor (F3BE0681G)		Diesel		12882	280	380	01.01-11.04	■	■
MP 260 E 38 W Cursor (F3BE0681G)		Diesel		12882	280	380	01.01-11.04	■	■
MP 340 E 38 H Cursor (F3BE0681G)		Diesel		12882	280	380	01.01-11.04	■	■
MP 380 E 38 H Cursor (F3BE0681G)		Diesel		12882	280	380	01.01-11.04	■	■
MP 380 E 38 W Cursor (F3BE0681G)		Diesel		12882	280	380	01.01-11.04	■	■
MP 410 E 38 H Cursor (F3BE0681G)		Diesel		12882	280	380	01.01-11.04	■	■
MP 190 E 44 W Cursor (F3BE0681C)		Diesel		12882	324	440	09.00-11.04	■	■
MP 260 E 44 H Cursor (F3BE0681C)		Diesel		12882	324	440	01.00-11.04	■	■
MP 260 E 44 W Cursor (F3BE0681C)		Diesel		12882	324	440	01.01-11.04	■	■
MP 340 E 44 H Cursor (F3BE0681C)		Diesel		12882	324	440	01.01-11.04	■	■
MP 380 E 44 H Cursor (F3BE0681C)		Diesel		12882	324	440	01.01-11.04	■	■
MP 380 E 44 W Cursor (F3BE0681C)		Diesel		12882	324	440	01.01-11.04	■	■
MP 410 E 44 H Cursor (F3BE0681C)		Diesel		12882	324	440	01.01-11.04	■	■
MP 190 E 37 H (8210.42K(TCA))		Diesel		13798	272	370	01.00-11.04	■	■
MP 190 E 37 W (8210.42K(TCA))		Diesel		13798	272	370	11.99-11.04	■	■
MP 260 E 37 W (8210.42K(TCA))		Diesel		13798	272	370	11.99-11.04	■	■
MP 260 E 37 W (8210.42K.)		Diesel		13798	272	370	11.99-11.04	■	■
MP 340 E 37 H (8210.42K(TCA))		Diesel		13798	272	370	11.99-11.04	■	■
MP 340 E 37 H (8210.42K.)		Diesel		13798	272	370	11.99-11.04	■	■
MP 380 E 37 H (8210.42K(TCA))		Diesel		13798	272	370	01.98-11.04	■	■
MP 380 E 37 H (8210.42K.)		Diesel		13798	272	370	01.98-11.04	■	■
MP 380 E 37 W (8210.42K(TCA))		Diesel		13798	272	370	11.99-11.04	■	■
MP 380 E 37 W (8210.42K.)		Diesel		13798	272	370	11.99-11.04	■	■
MP 410 E 37 H (8210.42K(TCA))		Diesel		13798	272	370	11.99-11.04	■	■
MP 410 E 37 W (8210.42K(TCA))		Diesel		13798	272	370	11.99-11.04	■	■
MP 190 E 42 H (8210.42L(TCA))		Diesel		13798	309	420	11.99-11.04	■	■
MP 190 E 42 H (8210.42L.)		Diesel		13798	309	420	11.99-11.04	■	■
MP 260 E 42 H (8210.42L(TCA))		Diesel		13798	309	420	11.99-11.04	■	■
MP 340 E 42 H (8210.42L(TCA))		Diesel		13798	309	420	11.99-11.04	■	■

# LISTA DE APLICACIONES - BUYERS GUIDE

MP 340 E 42 H (8210.42L.)		Diesel		13798	309	420	11.99-11.04	■	■	
MP 380 E 42 H (8210.42L(TCA))		Diesel		13798	309	420	01.93-11.04	■	■	
MP 380 E 42 H (8210.42L.)		Diesel		13798	309	420	01.93-11.04	■	■	
MP 380 E 42 W (8210.42L(TCA))		Diesel		13798	309	420	11.99-11.04	■	■	
MP 380 E 42 W (8210.42L.)		Diesel		13798	309	420	11.99-11.04	■	■	
MP 410 E 42 H (8210.42L(TCA))		Diesel		13798	309	420	11.99-11.04	■	■	
MP 410 E 42 W (8210.42L(TCA))		Diesel		13798	309	420	01.93-11.04	■	■	
MP 410 E 42 W (8210.42L.)		Diesel		13798	309	420	01.93-11.04	■	■	
MP 190 E 47 W (8210.42M. TCA)		Diesel		13798	345	470	11.99-11.04	■	■	
MP 260 E 47 H (8210.42M. TCA)		Diesel		13798	345	469	11.99-11.04	■	■	
MP 260 E 47 W (8210.42M. TCA)		Diesel		13798	345	469	11.99-11.04	■	■	
MP 380 E 47 H (8210.42M. TCA)		Diesel		13798	345	470	11.99-11.04	■	■	
MP 380 E 47 W (8210.42M. TCA)		Diesel		13798	345	470	11.99-11.04	■	■	
MP 410 E 47 H (8210.42M. TCA)		Diesel		13798	345	470	11.99-11.04	■	■	
MP 410 E 47 W (8210.42M. TCA)		Diesel		13798	345	470	11.99-11.04	■	■	
<b>EuroTrakker 01.93-12.06</b>							<b>Truck Tractor</b>			
MP 400 E 35 HT Cursor (F2BE0681A)		Diesel		7790	259	352	01.00-11.04	■	■	
MP 400 E 34 HT (8460.41K.)		Diesel		9498	254	345	01.93-11.04	■	■	
MP 400 E 34 HT (8460.41K. TCA)		Diesel		9498	254	345	01.93-11.04	■	■	
MP 440 E 34 HT (8460.41K.)		Diesel		9498	254	345	01.93-11.04	■	■	
MP 440 E 34 HT (8460.41K. TCA)		Diesel		9498	254	345	01.93-11.04	■	■	
MP 440 E 38 HT Cursor (F3BE0681G)		Diesel		12882	279	380	01.01-11.04	■	■	
MP 720 E 38 HT Cursor (F3BE0681G)		Diesel		12882	279	380	01.01-11.04	■	■	
MP 440 E 44 HT Cursor (F3BE0681C)		Diesel		12882	324	440	01.01-11.04	■	■	
MP 720 E 44 HT Cursor (F3BE0681C)		Diesel		12882	324	440	01.01-11.04	■	■	
MP 720 E 48 HT Cursor (F3BE0681E)		Diesel		12882	354	480	01.01-11.04	■	■	
MP 400 E 37 HT (8210.42K(TCA))		Diesel		13798	272	370	01.93-11.04	■	■	
MP 400 E 37 HT (8210.42K.)		Diesel		13798	272	370	01.93-11.04	■	■	
MP 400 E 37 WT (8210.42K(TCA))		Diesel		13798	272	370	01.93-11.04	■	■	
MP 400 E 37 WT (8210.42K.)		Diesel		13798	272	370	01.93-11.04	■	■	
MP 440 E 37 HT (8210.42K(TCA))		Diesel		13798	272	370	01.93-11.04	■	■	
MP 440 E 37 HT (8210.42K.)		Diesel		13798	272	370	01.93-11.04	■	■	
MP 720 E 37 HT (8210.42K(TCA))		Diesel		13798	272	370	01.93-11.04	■	■	
MP 720 E 37 HT (8210.42K.)		Diesel		13798	272	370	01.93-11.04	■	■	
MP 720 E 37 WT (8210.42K(TCA))		Diesel		13798	272	370	01.93-11.04	■	■	
MP 720 E 37 WT (8210.42K.)		Diesel		13798	272	370	01.93-11.04	■	■	
MP 400 E 42 HT (8210.42L(TCA))		Diesel		13798	309	420	01.93-11.04	■	■	
MP 400 E 42 HT (8210.42L.)		Diesel		13798	309	420	01.93-11.04	■	■	
MP 400 E 42 WT (8210.42L(TCA))		Diesel		13798	309	420	01.93-11.04	■	■	
MP 400 E 42 WT (8210.42L.)		Diesel		13798	309	420	01.93-11.04	■	■	
MP 440 E 42 HT (8210.42L(TCA))		Diesel		13798	309	420	01.93-11.04	■	■	
MP 440 E 42 HT (8210.42L.)		Diesel		13798	309	420	01.93-11.04	■	■	
MP 720 E 42 HT (8210.42L(TCA))		Diesel		13798	309	420	01.93-11.04	■	■	
MP 720 E 42 HT (8210.42L.)		Diesel		13798	309	420	01.93-11.04	■	■	
MP 720 E 42 WT (8210.42L(TCA))		Diesel		13798	309	420	01.93-11.04	■	■	
MP 720 E 42 WT (8210.42L.)		Diesel		13798	309	420	01.93-11.04	■	■	
MP 440 E 47 HT (8210.42M. TCA)		Diesel		13798	345	470	11.99-11.04	■	■	
MP 720 E 47 HT (8210.42M. TCA)		Diesel		13798	345	469	01.93-11.04	■	■	
<b>Stralis 02.02-</b>							<b>Municipal Vehicle</b>			
AD 190S27, AT 190S27 (F2BE0681F)		Diesel		7790	200	272	04.04-	■	■	
AD 260S27, AT 260S27 (F2BE0681F)		Diesel		7790	200	272	04.04-	■	■	

## LISTA DE APLICACIONES - BUYERS GUIDE

AD 260S27, AT 260S27	Diesel	7790	200	272	04.04-	■	
AD 190S30 (F2BE0681E)	Diesel	7790	218	296	04.04-	■	■
AD 260S30, AT 260S30 (F2BE0681E)	Diesel	7790	218	296	04.04-	■	■
AD 260S30, AT 260S30	Diesel	7790	218	296	04.04-	■	
AD 190S31, AT 190S31 (F2BE3681C)	Diesel	7790	228	310	04.04-	■	■
AD 260S31, AT 260S31 (F2BE3681C)	Diesel	7790	228	310	04.04-	■	■
AD 260S31, AT 260S31	Diesel	7790	228	310	04.04-	■	
AD 190S33, AT 190S33 (F2BE3681B)	Diesel	7790	243	330	05.07-	■	■
AD 260S33, AT 260S33 (F2BE3681B)	Diesel	7790	243	330	06.07-	■	■
AD 260S33, AT 260S33	Diesel	7790	243	330	06.07-	■	
AD 190S35 (F2BE0681A)	Diesel	7790	259	352	04.04-	■	■
AD 190S36, AT 190S36 (F2BE3681A)	Diesel	7790	265	360	05.07-	■	■
AD 260S36, AT 260S36 (F2BE3681A)	Diesel	7790	265	360	07.07-	■	■
AD 260S36, AT 260S36	Diesel	7790	265	360	07.07-	■	
AD 260S35 (F2BE0681A)	Diesel	7990	259	352	04.04-	■	■
<b>Stralis 02.02-</b>						<b>Platform/Chassis</b>	
AD 190S27, AT 190S27 (F2BE0681C)	Diesel	7790	200	272	06.03-	■	■
AD 190S27, AT 190S27 (F2BE0681F)	Diesel	7790	200	272	06.03-	■	■
AD 190S30, AD 190S31, AT 190S31 (F2BE0681B)	Diesel	7790	218	296	06.03-	■	■
AD 190S30, AD 190S31, AT 190S31 (F2BE0681E)	Diesel	7790	218	296	06.03-	■	■
AD 190S30, AD 190S31, AT 190S31 (F2BE3681C)	Diesel	7790	218	296	06.03-	■	■
AD 260S30, AT 260S30 (F2BE0681E)	Diesel	7790	218	296	10.05-	■	■
AD 260S31, AT 260S31 (F2BE0681B)	Diesel	7790	228	310	06.03-	■	■
AD 260S31, AT 260S31 (F2BE3681C)	Diesel	7790	228	310	06.03-	■	■
AD 260S31, AT 260S31	Diesel	7790	228	310	06.03-	■	
AD 190S33, AT 190S33 (F2BE3681B)	Diesel	7790	243	330	12.06-	■	■
AD 260S33, AT 260S33 (F2BE3681B)	Diesel	7790	243	330	12.06-	■	■
AD 260S33, AT 260S33 (F2BE3681B)	Diesel	7790	243	330	12.06-	■	■
AD 260S33, AT 260S33	Diesel	7790	243	330	12.06-	■	
AD 190S35, AT 190S35, AD 190S36, AT 190S36 (F2BE0681A)	Diesel	7790	259	352	06.03-	■	■
AD 190S35, AT 190S35, AD 190S36, AT 190S36 (F2BE3681A)	Diesel	7790	259	352	06.03-	■	■
AD 260S35, AT 260S35, AD 260S36, AT 260S36 (F2BE0681A)	Diesel	7790	259	352	06.03-	■	■
AD 260S35, AT 260S35, AD 260S36, AT 260S36 (F2BE3681A)	Diesel	7790	259	352	06.03-	■	■
AD 260S35, AT 260S35, AD 260S36, AT 260S36	Diesel	7790	259	352	06.03-	■	
AD 190S42, AT 190S42, AS 190S42 (F3AE3681B)	Diesel	10300	309	420	07.06-	■	■
AD 190S42, AT 190S42, AS 190S42 (F3AE3681D)	Diesel	10300	309	420	07.06-	■	■
AD 320S42, AT 320S42 (F3AE3681D)	Diesel	10300	310	422	05.07-	■	■
AS 260S43 (F3AE0681D)	Diesel	10300	316	430	02.02-	■	■
AD 320S45, AT 320S45, AD 320S46, AT320S46 (F3AE3681A)	Diesel	10300	331	450	05.07-	■	■
AD 190S40, AT 190S40 (F3AE0681B)	Diesel	10308	294	400	03.03-	■	■
AD 190S40, AT 190S40 (F3AE0681H)	Diesel	10308	294	400	03.03-	■	■
AD 260S40, AT 260S40 (F3AE0681B)	Diesel	10308	294	400	06.03-	■	■
AD 260S40, AT 260S40 (F3AE0681H)	Diesel	10308	294	400	06.03-	■	■
AD 260S40, AT 260S40	Diesel	10308	294	400	06.03-	■	
AS 190S40 (F3AE0681B)	Diesel	10308	294	400	02.02-	■	■
AS 190S40 (F3AE0681H)	Diesel	10308	294	400	02.02-	■	■

# LISTA DE APLICACIONES - BUYERS GUIDE

AS 260S40 (F3AE0681B)	Diesel	10308	294	400	02.02-	■	■
AS 260S40 (F3AE0681H)	Diesel	10308	294	400	02.02-	■	■
AS 260S40 (F3AE0681B)	Diesel	10308	294	400	05.05-	■	■
AS 260S40	Diesel	10308	294	400	02.02-	■	■
AD 260S42, AT 260S42 (F3AE3681B)	Diesel	10308	310	422	12.06-	■	■
AD 260S42, AT 260S42 (F3AE3681B)	Diesel	10308	310	422	12.06-	■	■
AD 260S42, AT 260S42, AS 260S42 (F3AE3681B)	Diesel	10308	310	422	05.07-	■	■
AD 260S42, AT 260S42, AS 260S42	Diesel	10308	310	422	05.07-	■	■
AD 190S43, AT 190S43 (F3AE0681D)	Diesel	10308	316	430	06.03-	■	■
AD 260S43, AT 260S43 (F3AE0681D)	Diesel	10308	316	430	06.03-	■	■
AD 260S43, AT 260S43	Diesel	10308	316	430	06.03-	■	■
AS 190S43 (F3AE0681D)	Diesel	10308	316	430	02.02-	■	■
AS 260S43 (F3AE0681D)	Diesel	10308	316	430	05.05-	■	■
AS 260S43	Diesel	10308	316	430	02.02-	■	■
AD 190S45, AT 190S45 (F3AE3681A)	Diesel	10308	331	450	12.06-	■	■
AD 260S45, AT 260S45 (F3AE3681A)	Diesel	10308	331	450	12.06-	■	■
AD 260S45, AT 260S45, AS 260S45 (F3AE3681A)	Diesel	10308	331	450	05.07-	■	■
AD 260S45, AT 260S45, AS 260S45	Diesel	10308	331	450	05.07-	■	■
AS 190S45 (F3AE3681A)	Diesel	10308	331	450	12.06-	■	■
AS 260S48, AT260S48 (F3BE0681E)	Diesel	12880	353	480	02.02-	■	■
ES 440S54 (F3BE0681A)	Diesel	12880	397	540	10.04-	■	■
AS 260S56 (F3B3681A)	Diesel	12880	412	560	12.06-	■	■
AS 260S56 (F3HFE611/560)	Diesel	12880	412	560	12.06-	■	■
AS 260S56 (F3B3681A)	Diesel	12880	412	560	12.06-	■	■
AS 260S56 (F3HFE611/560)	Diesel	12880	412	560	12.06-	■	■
AS 260S56 (F3B3681A)	Diesel	12880	412	560	07.06-	■	■
AS 260S56 (F3HFE611/560)	Diesel	12880	412	560	07.06-	■	■
AD 320S36 (F3BE0681J)	Diesel	12882	265	360	05.07-	■	■
AS 190S48 (F3BE0681E)	Diesel	12882	353	480	02.02-	■	■
AS 260S48 (F3BE0681E)	Diesel	12882	353	480	02.02-	■	■
AS 260S48	Diesel	12882	353	480	02.02-	■	■
AS 190S50 (F3B3681B)	Diesel	12882	368	500	12.06-	■	■
AS 190S50 (F3HFE611/500)	Diesel	12882	368	500	12.06-	■	■
AS 260S50 (F3B3681B)	Diesel	12882	368	500	12.06-	■	■
AS 260S50 (F3HFE611/500)	Diesel	12882	368	500	12.06-	■	■
AS 260S50 (F3B3681B)	Diesel	12882	368	500	12.06-	■	■
AS 260S50 (F3HFE611/500)	Diesel	12882	368	500	12.06-	■	■
AS 260S50 (F3B3681B)	Diesel	12882	368	500	07.06-	■	■
AS 260S50 (F3HFE611/500)	Diesel	12882	368	500	07.06-	■	■
AS 320S50 (F3B3681B)	Diesel	12882	368	500	05.07-	■	■
AS 260S54 (F3BE0681A)	Diesel	12882	397	540	02.02-	■	■
AS 260S54 (F3BE0681A)	Diesel	12882	397	540	02.02-	■	■
AS 260S54 (F3BE0681A)	Diesel	12882	397	540	02.02-	■	■
<b>Stralis 02.02-</b>						<b>Platform/Chassis</b>	
AD 260S27 CNG, AT 260S27 CNG (F2B CNG)	Gasolina	7790	200	272	01.08-	■	■
AD 260S27 CNG, AT 260S27 CNG (F2GE0682A)	Gasolina	7790	200	272	01.08-	■	■
AD 260S27 CNG, AT 260S27 CNG	Gasolina	7790	200	272	01.08-	■	■
AD 260S30 CNG (F2GE0682A)	Gasolina	7790	220	299	01.13-	■	■

# LISTA DE APLICACIONES - BUYERS GUIDE

<b>Stralis 02.02-</b>					<b>Truck Tractor</b>				
AD 440S31, AT 440S31 (F2BE0681B)	Diesel		7790	228	310	06.03-	■	■	
AD 440S33, AT 440S33 (F2BE3681B)	Diesel		7790	243	330	12.06-	■	■	
AD 440S35, AT 440S35, AD 440S36, AT 440S36 (F2BE0681A)	Diesel		7790	259	352	06.03-	■	■	
AD 440S35, AT 440S35, AD 440S36, AT 440S36 (F2BE3681A)	Diesel		7790	259	352	06.03-	■	■	
AD 440S40, AT 440S40 (F3AE0681B)	Diesel		10308	294	400	06.03-	■	■	
AD 440S40, AT 440S40 (F3AE0681H)	Diesel		10308	294	400	06.03-	■	■	
AD 440S40, AT 440S40 (F3AE0681B)	Diesel		10308	294	400	06.03-	■	■	
AD 440S40, AT 440S40 (F3AE0681B)	Diesel		10308	294	400	03.03-	■	■	
AD 440S40, AT 440S40 (F3AE0681H)	Diesel		10308	294	400	03.03-	■	■	
AS 440S40 (F3AE0681B)	Diesel		10308	294	400	02.02-	■	■	
AS 440S40 (F3AE0681H)	Diesel		10308	294	400	02.02-	■	■	
AS 440S40 (F3AE0681B)	Diesel		10308	294	400	02.02-	■	■	
AS 440S40 (F3AE0681H)	Diesel		10308	294	400	02.02-	■	■	
AD 440S42, AT 440S42 (F3AE3681B)	Diesel		10308	310	422	04.06-	■	■	
AD 440S42, AT 440S42 (F3AE3681D)	Diesel		10308	310	422	04.06-	■	■	
AS 440S42 (F3AE3681B)	Diesel		10308	310	420	01.06-	■	■	
AS 440S42 (F3AE3681D)	Diesel		10308	310	420	01.06-	■	■	
AS 440S42 (F3AE3681B)	Diesel		10308	310	420	07.06-	■	■	
AS 440S42, AT 440S42 (F3AE3681B)	Diesel		10308	310	422	12.06-	■	■	
AT 440S42 (F3AE3681B)	Diesel		10308	310	420	07.06-	■	■	
AD 440S43, AT 440S43 (F3AE0681D)	Diesel		10308	316	430	06.03-	■	■	
AD 440S43, AT 440S43 (F3AE0681D)	Diesel		10308	316	430	06.03-	■	■	
AS 440S43 (F3AE0681D)	Diesel		10308	316	430	02.02-	■	■	
AS 440S43 (F3AE0681D)	Diesel		10308	316	430	02.02-	■	■	
AT 440S43 (F3AE0681D)	Diesel		10308	316	430	06.03-	■	■	
AT 440S43 (F3AE0681D)	Diesel		10308	316	430	06.03-	■	■	
AD 440S45, AT 440S45 (F3AE3681A)	Diesel		10308	331	450	12.06-	■	■	
AS 440S45 (F3AE3681A)	Diesel		10308	331	450	12.06-	■	■	
AS 440S45, AT 440S45 (F3AE3681A)	Diesel		10308	331	450	12.06-	■	■	
AS 440S45, AT 440S45 (F3AE3681A)	Diesel		10308	331	450	12.06-	■	■	
AT 440S45 (F3AE3681A)	Diesel		10308	331	450	07.06-	■	■	
AS 440S46	Diesel		10308	338	460	12.09-	■	■	
AS 440S54, ES 440S54 (F3BE0681A)	Diesel		12880	397	540	02.02-	■	■	
AS 440S56 (F3B3681A)	Diesel		12880	412	560	05.06-	■	■	
AS 440S56 (F3HFE611/560)	Diesel		12880	412	560	05.06-	■	■	
AS 440S48 (F3BE0681E)	Diesel		12882	353	480	02.02-	■	■	
AS 440S48 (F3BE0681E)	Diesel		12882	353	480	02.02-	■	■	
AS 440S48 (F3BE0681E)	Diesel		12882	353	480	02.02-	■	■	
AS 440S48 (F3BE0681E)	Diesel		12882	353	480	02.02-	■	■	
ES 440S48 (F3BE0681E)	Diesel		12882	353	480	10.04-	■	■	
AS 440S50 (F3B3681B)	Diesel		12882	368	500	12.06-	■	■	
AS 440S50 (F3HFE611/500)	Diesel		12882	368	500	12.06-	■	■	
AS 440S50 (F3B3681B)	Diesel		12882	368	500	07.06-	■	■	
AS 440S50 (F3HFE611/500)	Diesel		12882	368	500	07.06-	■	■	
AS 440S50, AT 440S50 (F3B3681B)	Diesel		12882	368	500	12.06-12.12	■	■	
AS 440S50, AT 440S50 (F3B3681B)	Diesel		12882	368	500	12.06-	■	■	
AS 440S50, AT 440S50 (F3HFE611/500)	Diesel		12882	368	500	12.06-	■	■	
AS 440S54 (F3BE0681A)	Diesel		12882	397	540	02.02-	■	■	
AS 440S54 (F3BE0681A)	Diesel		12882	397	540	02.02-	■	■	

# LISTA DE APLICACIONES - BUYERS GUIDE

AS 440S54 (F3BE0681A)		Diesel		12882	397	540	02.02-	■	■
AS 440S56 (F3B3681A)		Diesel		12882	412	560	07.06-	■	■
AS 440S56 (F3HFE611/560)		Diesel		12882	412	560	07.06-	■	■
AS 440S56, AT 440S56 (F3B3681A)		Diesel		12882	412	560	12.06-	■	■
AS 440S56, AT 440S56 (F3B3681A)		Diesel		12882	412	560	12.06-	■	■
AS 440S56, AT 440S56 (F3HFE611/560)		Diesel		12882	412	560	12.06-	■	■
<b>Stralis 02.02-</b>					<b>Truck Tractor</b>				
AT 440S33 CNG (F2GE0682A)		Gasolina		7790	243	330	01.13-	■	
<b>Stralis II 09.12-</b>					<b>Platform/Chassis</b>				
AD190S31		Diesel		8709	228	310	09.12-	■	■
AD190S31 MY16		Diesel		8709	228	310	06.16-	■	■
AD190S31FP		Diesel		8709	228	310	09.12-	■	■
AD190S31FP MY16		Diesel		8709	228	310	06.16-	■	■
AD190S31P		Diesel		8709	228	310	09.12-	■	■
AD190S31P MY16		Diesel		8709	228	310	06.16-	■	■
AD190X31		Diesel		8709	228	310	05.17-	■	■
AD190X31P		Diesel		8709	228	310	05.17-	■	■
AD260S31FP		Diesel		8709	228	310	09.12-	■	■
AD260S31FP		Diesel		8709	228	310	09.12-	■	■
AD260S31FP MY16		Diesel		8709	228	310	06.16-	■	■
AD260S31FP MY16		Diesel		8709	228	310	06.16-	■	■
AD260S31P		Diesel		8709	228	310	09.12-	■	■
AD260S31P		Diesel		8709	228	310	09.12-	■	■
AD260S31P MY16		Diesel		8709	228	310	06.16-	■	■
AD260X31		Diesel		8709	228	310	05.17-	■	■
AD260X31P		Diesel		8709	228	310	05.17-	■	■
AT190S31 MY16		Diesel		8709	228	310	06.16-	■	■
AT190S31FP		Diesel		8709	228	310	09.12-	■	■
AT190S31FP MY16		Diesel		8709	228	310	06.16-	■	■
AT190S31P		Diesel		8709	228	310	09.12-	■	■
AT190S31P MY16		Diesel		8709	228	310	06.16-	■	■
AT190X31P		Diesel		8709	228	310	05.17-	■	■
AT260S31FP		Diesel		8709	228	310	09.12-	■	■
AT260S31FP MY16		Diesel		8709	228	310	06.16-	■	■
AT260S31P		Diesel		8709	228	310	09.12-	■	■
AT260S31P MY16		Diesel		8709	228	310	06.16-	■	■
AT260S31P MY16		Diesel		8709	228	310	06.16-	■	■
AD190S33		Diesel		8709	243	330	09.12-	■	■
AD190S33 MY16		Diesel		8709	243	330	06.16-	■	■
AD190S33FP		Diesel		8709	243	330	09.12-	■	■
AD190S33FP MY16		Diesel		8709	243	330	06.16-	■	■
AD190S33P		Diesel		8709	243	330	09.12-	■	■
AD190S33P MY16		Diesel		8709	243	330	06.16-	■	■
AD190X33		Diesel		8709	243	330	05.17-	■	■
AD190X33P		Diesel		8709	243	330	05.17-	■	■
AD260S33FP		Diesel		8709	243	330	09.12-	■	■
AD260S33FP MY16		Diesel		8709	243	330	06.16-	■	■
AD260S33FP MY16		Diesel		8709	243	330	06.16-	■	■
AD260S33P		Diesel		8709	243	330	09.12-	■	■
AD260S33P		Diesel		8709	243	330	09.12-	■	■
AD260S33P MY16		Diesel		8709	243	330	06.16-	■	■

## LISTA DE APLICACIONES - BUYERS GUIDE

AD260S33P MY16	Diesel	8709	243	330	06.16-	■	■
AD260X33	Diesel	8709	243	330	05.17-	■	■
AD260X33P	Diesel	8709	243	330	05.17-	■	■
AD260X33P	Diesel	8709	243	330	05.17-	■	■
AT190S33	Diesel	8709	243	330	09.12-	■	■
AT190S33 MY16	Diesel	8709	243	330	06.16-	■	■
AT190S33FP	Diesel	8709	243	330	09.12-	■	■
AT190S33FP MY16	Diesel	8709	243	330	06.16-	■	■
AT190S33P	Diesel	8709	243	330	09.12-	■	■
AT190S33P MY16	Diesel	8709	243	330	06.16-	■	■
AT190X33	Diesel	8709	243	330	05.17-	■	■
AT260S33FP	Diesel	8709	243	330	09.12-	■	■
AT260S33FP MY16	Diesel	8709	243	330	06.16-	■	■
AT260S33P	Diesel	8709	243	330	09.12-	■	■
AT260S33P	Diesel	8709	243	330	09.12-	■	■
AT260S33P MY16	Diesel	8709	243	330	06.16-	■	■
AT260S33P MY16	Diesel	8709	243	330	06.16-	■	■
AT260X33P	Diesel	8709	243	330	05.17-	■	■
AD190S36	Diesel	8709	265	360	09.12-	■	■
AD190S36 MY16	Diesel	8709	265	360	06.16-	■	■
AD190S36FP	Diesel	8709	265	360	09.12-	■	■
AD190S36FP MY16	Diesel	8709	265	360	06.16-	■	■
AD190S36P	Diesel	8709	265	360	09.12-	■	■
AD190S36P MY16	Diesel	8709	265	360	06.16-	■	■
AD190X36	Diesel	8709	265	360	05.17-	■	■
AD190X36P	Diesel	8709	265	360	05.17-	■	■
AD260S36FP	Diesel	8709	265	360	09.12-	■	■
AD260S36FP MY16	Diesel	8709	265	360	06.16-	■	■
AD260S36FP MY16	Diesel	8709	265	360	06.16-	■	■
AD260S36P	Diesel	8709	265	360	09.12-	■	■
AD260S36P	Diesel	8709	265	360	09.12-	■	■
AD260S36P MY16	Diesel	8709	265	360	06.16-	■	■
AD260S36P MY16	Diesel	8709	265	360	06.16-	■	■
AD260X36	Diesel	8709	265	360	05.17-	■	■
AD260X36P	Diesel	8709	265	360	05.17-	■	■
AD260X36P	Diesel	8709	265	360	05.17-	■	■
AD320X36P	Diesel	8709	265	360	05.17-	■	■
AD340X36	Diesel	8709	265	360	05.17-	■	■
AD340X36P	Diesel	8709	265	360	05.17-	■	■
AT190S36	Diesel	8709	265	360	09.12-	■	■
AT190S36 MY16	Diesel	8709	265	360	06.16-	■	■
AT190S36FP	Diesel	8709	265	360	09.12-	■	■
AT190S36FP MY16	Diesel	8709	265	360	06.16-	■	■
AT190S36P	Diesel	8709	265	360	09.12-	■	■
AT190S36P MY16	Diesel	8709	265	360	06.16-	■	■
AT190X36P	Diesel	8709	265	360	05.17-	■	■
AT260S36FP	Diesel	8709	265	360	09.12-	■	■
AT260S36FP MY16	Diesel	8709	265	360	06.16-	■	■
AT260S36FP MY16	Diesel	8709	265	360	06.16-	■	■
AT260S36P	Diesel	8709	265	360	09.12-	■	■
AT260S36P	Diesel	8709	265	360	09.12-	■	■

## LISTA DE APLICACIONES - BUYERS GUIDE

AT260S36P MY16	Diesel	8709	265	360	06.16-	■	■
AT260S36P MY16	Diesel	8709	265	360	06.16-	■	■
AT260X36P	Diesel	8709	265	360	05.17-	■	■
AD190S40	Diesel	8709	294	400	09.12-	■	■
AD190S40 MY16	Diesel	8709	294	400	06.16-	■	■
AD190S40FP	Diesel	8709	294	400	09.12-	■	■
AD190S40FP MY16	Diesel	8709	294	400	06.16-	■	■
AD190S40P	Diesel	8709	294	400	09.12-	■	■
AD190S40P MY16	Diesel	8709	294	400	06.16-	■	■
AD190X40	Diesel	8709	294	400	05.17-	■	■
AD190X40P	Diesel	8709	294	400	05.17-	■	■
AD260S40FP	Diesel	8709	294	400	09.12-	■	■
AD260S40FP	Diesel	8709	294	400	09.12-	■	■
AD260S40FP MY16	Diesel	8709	294	400	06.16-	■	■
AD260S40P	Diesel	8709	294	400	09.12-	■	■
AD260S40P	Diesel	8709	294	400	09.12-	■	■
AD260S40P MY16	Diesel	8709	294	400	06.16-	■	■
AD260S40P MY16	Diesel	8709	294	400	06.16-	■	■
AD260X40	Diesel	8709	294	400	05.17-	■	■
AD260X40P	Diesel	8709	294	400	05.17-	■	■
AD260X40P	Diesel	8709	294	400	05.17-	■	■
AD320X40P	Diesel	8709	294	400	05.17-	■	■
AD340X40	Diesel	8709	294	400	05.17-	■	■
AD340X40P	Diesel	8709	294	400	05.17-	■	■
AT190S40	Diesel	8709	294	400	09.12-	■	■
AT190S40FP	Diesel	8709	294	400	09.12-	■	■
AT190S40FP MY16	Diesel	8709	294	400	06.16-	■	■
AT190S40P	Diesel	8709	294	400	09.12-	■	■
AT190S40P MY16	Diesel	8709	294	400	06.16-	■	■
AT190X40	Diesel	8709	294	400	05.17-	■	■
AT190X40P	Diesel	8709	294	400	05.17-	■	■
AT260S40FP	Diesel	8709	294	400	09.12-	■	■
AT260S40FP	Diesel	8709	294	400	09.12-	■	■
AT260S40FP MY16	Diesel	8709	294	400	06.16-	■	■
AT260S40FP MY16	Diesel	8709	294	400	06.16-	■	■
AT260S40P	Diesel	8709	294	400	09.12-	■	■
AT260S40P	Diesel	8709	294	400	09.12-	■	■
AT260S40P MY16	Diesel	8709	294	400	06.16-	■	■
AT260S40P MY16	Diesel	8709	294	400	06.16-	■	■
AT260X40P	Diesel	8709	294	400	05.17-	■	■
AD190S42	Diesel	10308	310	421	09.12-	■	■
AD190S42FP	Diesel	10308	310	421	09.12-	■	■
AD190S42P	Diesel	10308	310	421	09.12-	■	■
AD260S42FP	Diesel	10308	310	421	09.12-	■	■
AD260S42P	Diesel	10308	310	421	09.12-	■	■
AD260S42P	Diesel	10308	310	421	09.12-	■	■
AD320S42P	Diesel	10308	310	421	09.12-	■	■
AS190S42FP	Diesel	10308	310	421	09.12-	■	■
AS190S42P	Diesel	10308	310	421	09.12-	■	■
AS260S42FP	Diesel	10308	310	421	09.12-	■	■
AS260S42FP	Diesel	10308	310	421	09.12-	■	■

# LISTA DE APLICACIONES - BUYERS GUIDE

AS260S42P	Diesel	10308	310	421	09.12-	■	■
AS260S42P	Diesel	10308	310	421	09.12-	■	■
AT190S42FP	Diesel	10308	310	421	09.12-	■	■
AT190S42P	Diesel	10308	310	421	09.12-	■	■
AT260S42FP	Diesel	10308	310	421	09.12-	■	■
AT260S42FP	Diesel	10308	310	421	09.12-	■	■
AT260S42P	Diesel	10308	310	421	09.12-	■	■
AT260S42P	Diesel	10308	310	421	09.12-	■	■
AT320S42P	Diesel	10308	310	421	09.12-	■	■
AD190S46P	Diesel	10308	338	460	09.12-	■	■
AD260S46FP	Diesel	10308	338	460	09.12-	■	■
AD260S46P	Diesel	10308	338	460	09.12-	■	■
AD260S46P	Diesel	10308	338	460	09.12-	■	■
AD320S46P	Diesel	10308	338	460	09.12-	■	■
AS190S46FP	Diesel	10308	338	460	09.12-	■	■
AS190S46P	Diesel	10308	338	460	09.12-	■	■
AS260S46FP	Diesel	10308	338	460	09.12-	■	■
AS260S46FP	Diesel	10308	338	460	09.12-	■	■
AS260S46P	Diesel	10308	338	460	09.12-	■	■
AS260S46P	Diesel	10308	338	460	09.12-	■	■
AT190S46FP	Diesel	10308	338	460	09.12-	■	■
AT190S46P	Diesel	10308	338	460	09.12-	■	■
AT260S46FP	Diesel	10308	338	460	09.12-	■	■
AT260S46P	Diesel	10308	338	460	09.12-	■	■
AT260S46P	Diesel	10308	338	460	09.12-	■	■
AT320S46P	Diesel	10308	338	460	09.12-	■	■
AD190S42	Diesel	11118	309	420	09.12-	■	■
AD190S42 MY16	Diesel	11118	309	420	06.16-	■	■
AD190S42FP	Diesel	11118	309	420	09.12-	■	■
AD190S42FP MY16	Diesel	11118	309	420	06.16-	■	■
AD190S42P	Diesel	11118	309	420	09.12-	■	■
AD190S42P MY16	Diesel	11118	309	420	06.16-	■	■
AD260S42FP	Diesel	11118	309	420	09.12-	■	■
AD260S42FP	Diesel	11118	309	420	09.12-	■	■
AD260S42FP MY16	Diesel	11118	309	420	06.16-	■	■
AD260S42FP MY16	Diesel	11118	309	420	06.16-	■	■
AD260S42P	Diesel	11118	309	420	09.12-	■	■
AD260S42P	Diesel	11118	309	420	09.12-	■	■
AD260S42P MY16	Diesel	11118	309	420	06.16-	■	■
AD260S42P MY16	Diesel	11118	309	420	06.16-	■	■
AD260X42	Diesel	11118	309	420	05.17-	■	■
AD260X42P	Diesel	11118	309	420	05.17-	■	■
AD260X42P	Diesel	11118	309	420	05.17-	■	■
AD320S42P	Diesel	11118	309	420	09.12-	■	■
AD320S42P MY16	Diesel	11118	309	420	06.16-	■	■
AD320X42P	Diesel	11118	309	420	05.17-	■	■
AD340X42	Diesel	11118	309	420	05.17-	■	■
AD340X42P	Diesel	11118	309	420	05.17-	■	■
AS190S42FP	Diesel	11118	309	420	09.12-	■	■
AS190S42FP MY16	Diesel	11118	309	420	06.16-	■	■
AS190S42P	Diesel	11118	309	420	09.12-	■	■

## LISTA DE APLICACIONES - BUYERS GUIDE

AS190S42P MY16	Diesel	11118	309	420	06.16-	■	■
AS260S42FP	Diesel	11118	309	420	09.12-	■	■
AS260S42FP	Diesel	11118	309	420	09.12-	■	■
AS260S42FP MY16	Diesel	11118	309	420	06.16-	■	■
AS260S42FP MY16	Diesel	11118	309	420	06.16-	■	■
AS260S42P	Diesel	11118	309	420	09.12-	■	■
AS260S42P	Diesel	11118	309	420	09.12-	■	■
AS260S42P MY16	Diesel	11118	309	420	06.16-	■	■
AS260S42P MY16	Diesel	11118	309	420	06.16-	■	■
AS260X42P	Diesel	11118	309	420	05.17-	■	■
AT190S42	Diesel	11118	309	420	09.12-	■	■
AT190S42 MY16	Diesel	11118	309	420	06.16-	■	■
AT190S42FP	Diesel	11118	309	420	09.12-	■	■
AT190S42FP MY16	Diesel	11118	309	420	06.16-	■	■
AT190S42P	Diesel	11118	309	420	09.12-	■	■
AT190S42P MY16	Diesel	11118	309	420	06.16-	■	■
AT260S42FP	Diesel	11118	309	420	09.12-	■	■
AT260S42FP	Diesel	11118	309	420	09.12-	■	■
AT260S42FP MY16	Diesel	11118	309	420	06.16-	■	■
AT260S42FP MY16	Diesel	11118	309	420	06.16-	■	■
AT260S42P	Diesel	11118	309	420	09.12-	■	■
AT260S42P	Diesel	11118	309	420	09.12-	■	■
AT260S42P MY16	Diesel	11118	309	420	06.16-	■	■
AT260S42P MY16	Diesel	11118	309	420	06.16-	■	■
AT260X42	Diesel	11118	309	420	05.17-	■	■
AT260X42P	Diesel	11118	309	420	05.17-	■	■
AT260X42P	Diesel	11118	309	420	05.17-	■	■
AT320S42P	Diesel	11118	309	420	09.12-	■	■
AT320S42P MY16	Diesel	11118	309	420	06.16-	■	■
AT320X42P	Diesel	11118	309	420	05.17-	■	■
AT340X42	Diesel	11118	309	420	05.17-	■	■
AT340X42P	Diesel	11118	309	420	05.17-	■	■
AD190S46FP	Diesel	11118	338	460	09.12-	■	■
AD190S46P	Diesel	11118	338	460	09.12-	■	■
AD260S46FP	Diesel	11118	338	460	09.12-	■	■
AD260S46FP	Diesel	11118	338	460	09.12-	■	■
AD260S46FP MY16	Diesel	11118	338	460	06.16-	■	■
AD260S46FP MY16	Diesel	11118	338	460	06.16-	■	■
AD260S46P	Diesel	11118	338	460	09.12-	■	■
AD260S46P	Diesel	11118	338	460	09.12-	■	■
AD260S46P MY16	Diesel	11118	338	460	06.16-	■	■
AD260S46P MY16	Diesel	11118	338	460	06.16-	■	■
AD260X46	Diesel	11118	338	460	05.17-	■	■
AD260X46P	Diesel	11118	338	460	05.17-	■	■
AD260X46P	Diesel	11118	338	460	05.17-	■	■
AD320S46P	Diesel	11118	338	460	09.12-	■	■
AD320S46P MY16	Diesel	11118	338	460	06.16-	■	■
AD320X46P	Diesel	11118	338	460	05.17-	■	■
AD340X46	Diesel	11118	338	460	05.17-	■	■
AD340X46P	Diesel	11118	338	460	05.17-	■	■
AS190S46FP	Diesel	11118	338	460	09.12-	■	■

# LISTA DE APLICACIONES - BUYERS GUIDE

AS190S46FP MY16	Diesel	11118	338	460	06.16-	■	■
AS190S46P	Diesel	11118	338	460	09.12-	■	■
AS190S46P MY16	Diesel	11118	338	460	06.16-	■	■
AS260S46FP	Diesel	11118	338	460	09.12-	■	■
AS260S46FP	Diesel	11118	338	460	09.12-	■	■
AS260S46FP MY16	Diesel	11118	338	460	06.16-	■	■
AS260S46FP MY16	Diesel	11118	338	460	06.16-	■	■
AS260S46P	Diesel	11118	338	460	09.12-	■	■
AS260S46P	Diesel	11118	338	460	09.12-	■	■
AS260S46P MY16	Diesel	11118	338	460	06.16-	■	■
AS260S46P MY16	Diesel	11118	338	460	06.16-	■	■
AS260X46P	Diesel	11118	338	460	05.17-	■	■
AT190S46FP	Diesel	11118	338	460	09.12-	■	■
AT190S46FP MY16	Diesel	11118	338	460	06.16-	■	■
AT190S46P	Diesel	11118	338	460	09.12-	■	■
AT190S46P MY16	Diesel	11118	338	460	06.16-	■	■
AT260S46FP	Diesel	11118	338	460	09.12-	■	■
AT260S46FP	Diesel	11118	338	460	09.12-	■	■
AT260S46FP MY16	Diesel	11118	338	460	06.16-	■	■
AT260S46FP MY16	Diesel	11118	338	460	06.16-	■	■
AT260S46P	Diesel	11118	338	460	09.12-	■	■
AT260S46P	Diesel	11118	338	460	09.12-	■	■
AT260S46P MY16	Diesel	11118	338	460	06.16-	■	■
AT260S46P MY16	Diesel	11118	338	460	06.16-	■	■
AT260X46	Diesel	11118	338	460	05.17-	■	■
AT260X46P	Diesel	11118	338	460	05.17-	■	■
AT260X46P	Diesel	11118	338	460	05.17-	■	■
AT320S46P	Diesel	11118	338	460	09.12-	■	■
AT320S46P MY16	Diesel	11118	338	460	06.16-	■	■
AT320X46P	Diesel	11118	338	460	05.17-	■	■
AT340X46	Diesel	11118	338	460	05.17-	■	■
AT340X46P	Diesel	11118	338	460	05.17-	■	■
AD190S48	Diesel	11118	353	480	09.12-	■	■
AD190S48 MY16	Diesel	11118	353	480	06.16-	■	■
AD190S48FP	Diesel	11118	353	480	09.12-	■	■
AD190S48P	Diesel	11118	353	480	09.12-	■	■
AD190S48P MY16	Diesel	11118	353	480	06.16-	■	■
AD260S48FP	Diesel	11118	353	480	09.12-	■	■
AD260S48FP MY16	Diesel	11118	353	480	06.16-	■	■
AD260S48FP MY16	Diesel	11118	353	480	06.16-	■	■
AD260S48P	Diesel	11118	353	480	09.12-	■	■
AD260S48P	Diesel	11118	353	480	09.12-	■	■
AD260S48P MY16	Diesel	11118	353	480	06.16-	■	■
AD260S48P MY16	Diesel	11118	353	480	06.16-	■	■
AD260X48	Diesel	11118	353	480	05.17-	■	■
AD260X48P	Diesel	11118	353	480	05.17-	■	■
AD260X48P	Diesel	11118	353	480	05.17-	■	■
AD320S48P	Diesel	11118	353	480	09.12-	■	■
AD320X48P	Diesel	11118	353	480	05.17-	■	■
AD340X48	Diesel	11118	353	480	05.17-	■	■
AD340X48P	Diesel	11118	353	480	05.17-	■	■

# LISTA DE APLICACIONES - BUYERS GUIDE

AS190S48FP	Diesel	11118	353	480	09.12-	■	■
AS190S48FP MY16	Diesel	11118	353	480	06.16-	■	■
AS190S48P	Diesel	11118	353	480	09.12-	■	■
AS190S48P MY16	Diesel	11118	353	480	06.16-	■	■
AS260S48FP	Diesel	11118	353	480	09.12-	■	■
AS260S48FP	Diesel	11118	353	480	09.12-	■	■
AS260S48FP MY16	Diesel	11118	353	480	06.16-	■	■
AS260S48FP MY16	Diesel	11118	353	480	06.16-	■	■
AS260S48P	Diesel	11118	353	480	09.12-	■	■
AS260S48P	Diesel	11118	353	480	09.12-	■	■
AS260S48P MY16	Diesel	11118	353	480	06.16-	■	■
AS260S48P MY16	Diesel	11118	353	480	06.16-	■	■
AS260X48P	Diesel	11118	353	480	05.17-	■	■
AT190S48FP	Diesel	11118	353	480	09.12-	■	■
AT190S48FP MY16	Diesel	11118	353	480	06.16-	■	■
AT190S48P	Diesel	11118	353	480	09.12-	■	■
AT190S48P MY16	Diesel	11118	353	480	06.16-	■	■
AT260S48FP	Diesel	11118	353	480	09.12-	■	■
AT260S48FP	Diesel	11118	353	480	09.12-	■	■
AT260S48FP MY16	Diesel	11118	353	480	06.16-	■	■
AT260S48FP MY16	Diesel	11118	353	480	06.16-	■	■
AT260S48P	Diesel	11118	353	480	09.12-	■	■
AT260S48P	Diesel	11118	353	480	09.12-	■	■
AT260S48P MY16	Diesel	11118	353	480	06.16-	■	■
AT260S48P MY16	Diesel	11118	353	480	06.16-	■	■
AT260X48	Diesel	11118	353	480	05.17-	■	■
AT260X48P	Diesel	11118	353	480	05.17-	■	■
AT260X48P	Diesel	11118	353	480	05.17-	■	■
AT320S48P	Diesel	11118	353	480	09.12-	■	■
AT320S48P MY16	Diesel	11118	353	480	06.16-	■	■
AT320X48P	Diesel	11118	353	480	05.17-	■	■
AT340X48	Diesel	11118	353	480	05.17-	■	■
AT340X48P	Diesel	11118	353	480	05.17-	■	■
AS190S50FP	Diesel	12882	368	500	09.12-	■	■
AS190S50P	Diesel	12882	368	500	09.12-	■	■
AS260S50FP	Diesel	12882	368	500	09.12-	■	■
AS260S50FP	Diesel	12882	368	500	09.12-	■	■
AS260S50P	Diesel	12882	368	500	09.12-	■	■
AS260S50P	Diesel	12882	368	500	09.12-	■	■
AS260S50P	Diesel	12882	368	500	09.12-	■	■
AS260S50P	Diesel	12882	368	500	09.12-	■	■
AS320S50P	Diesel	12882	368	500	09.12-	■	■
AS190S51FP MY16	Diesel	12882	375	510	06.16-	■	■
AS190S51P MY16	Diesel	12882	375	510	06.16-	■	■
AS260S51FP MY16	Diesel	12882	375	510	06.16-	■	■
AS260S51FP MY16	Diesel	12882	375	510	06.16-	■	■
AS260S51P MY16	Diesel	12882	375	510	06.16-	■	■
AS260S51P MY16	Diesel	12882	375	510	06.16-	■	■
AS260X51	Diesel	12882	375	510	05.17-	■	■
AS260X51P	Diesel	12882	375	510	05.17-	■	■
AS260X51P	Diesel	12882	375	510	05.17-	■	■
AS320S51P MY16	Diesel	12882	375	510	06.16-	■	■

## LISTA DE APLICACIONES - BUYERS GUIDE

AS320X51P		Diesel		12882	375	510	05.17-	■	■
AS340X51		Diesel		12882	375	510	05.17-	■	■
AS340X51P		Diesel		12882	375	510	05.17-	■	■
AS260S56FP		Diesel		12882	412	560	09.12-	■	■
AS260S56FP		Diesel		12882	412	560	09.12-	■	■
AS260S56P		Diesel		12882	412	560	09.12-	■	■
AS260S56P		Diesel		12882	412	560	09.12-	■	■
AS260S56P		Diesel		12882	412	560	09.12-	■	■
AS320S56P		Diesel		12882	412	560	09.12-	■	■
AS260S57FP MY16		Diesel		12882	420	571	06.16-	■	■
AS260S57FP MY16		Diesel		12882	420	571	06.16-	■	■
AS260S57P MY16		Diesel		12882	420	571	06.16-	■	■
AS260S57P MY16		Diesel		12882	420	571	06.16-	■	■
AS260X57		Diesel		12882	420	571	05.17-	■	■
AS260X57P		Diesel		12882	420	571	05.17-	■	■
AS260X57P		Diesel		12882	420	571	05.17-	■	■
AS320S57P MY16		Diesel		12882	420	571	06.16-	■	■
AS320X57P		Diesel		12882	420	571	05.17-	■	■
AS340X57		Diesel		12882	420	571	05.17-	■	■
AS340X57P		Diesel		12882	420	571	05.17-	■	■
<b>Stralis II 09.12-</b>				<b>Platform/Chassis</b>					
AD190S27P CNG		Gasolina		7790	200	272	09.12-	■	■
AD260S27FP CNG		Gasolina		7790	200	272	09.12-	■	■
AD260S27P CNG		Gasolina		7790	200	272	09.12-	■	■
AD190S30P CNG		Gasolina		7790	221	300	09.12-	■	■
AD260S30FP CNG		Gasolina		7790	221	300	09.12-	■	■
AD260S30P CNG		Gasolina		7790	221	300	09.12-	■	■
AD190S33P CNG		Gasolina		7790	243	330	09.12-	■	■
AD260S33FP CNG		Gasolina		7790	243	330	09.12-	■	■
AD260S33P CNG		Gasolina		7790	243	330	09.12-	■	■
AT190S33P CNG		Gasolina		7790	243	330	09.12-	■	■
AT260S33P CNG		Gasolina		7790	243	330	09.12-	■	■
AD190S40P CNG		Gasolina		8709	294	400	09.12-	■	■
AD260S40FP CNG		Gasolina		8709	294	400	09.12-	■	■
AD260S40P CNG		Gasolina		8709	294	400	09.12-	■	■
AT190S40P CNG		Gasolina		8709	294	400	09.12-	■	■
AT260S40FP CNG		Gasolina		8709	294	400	09.12-	■	■
AT260S40P CNG		Gasolina		8709	294	400	09.12-	■	■
AD260S46FP CNG+LNG MY16		Gasolina		12882	338	460	06.16-	■	■
AD260S46FP CNG MY16		Gasolina		12882	338	460	06.16-	■	■
AD260S46FP LNG MY16		Gasolina		12882	338	460	06.16-	■	■
AD260S46P CNG+LNG MY16		Gasolina		12882	338	460	06.16-	■	■
AD260S46P CNG MY16		Gasolina		12882	338	460	06.16-	■	■
AD260S46P LNG MY16		Gasolina		12882	338	460	06.16-	■	■
AS190S46FP CNG+LNG MY16		Gasolina		12882	338	460	06.16-	■	■
AS190S46FP CNG MY16		Gasolina		12882	338	460	06.16-	■	■
AS190S46FP LNG MY16		Gasolina		12882	338	460	06.16-	■	■
<b>Stralis II 09.12-</b>				<b>Truck Tractor</b>					
AD440S33TP		Diesel		8709	243	330	09.12-	■	■
AD440S33TP MY16		Diesel		8709	243	330	06.16-	■	■
AT440S33TP		Diesel		8709	243	330	09.12-	■	■

# LISTA DE APLICACIONES - BUYERS GUIDE

AT440S33TP MY16	Diesel	8709	243	330	06.16-	■	■
AD440S36TP	Diesel	8709	265	360	09.12-	■	■
AD440S36TP MY16	Diesel	8709	265	360	06.16-	■	■
AT440S36TP	Diesel	8709	265	360	09.12-	■	■
AT440S36TP MY16	Diesel	8709	265	360	06.16-	■	■
AD440S40TP	Diesel	8709	294	400	09.12-	■	■
AD440S40TP MY16	Diesel	8709	294	400	06.16-	■	■
AT440S40TP	Diesel	8709	294	400	09.12-	■	■
AT440S40TP MY16	Diesel	8709	294	400	06.16-	■	■
AD440S42TP	Diesel	10308	310	421	09.12-	■	■
AS440S42TFP	Diesel	10308	310	421	09.12-	■	■
AS440S42TP	Diesel	10308	310	421	09.12-	■	■
AS440S42TP	Diesel	10308	310	421	09.12-	■	■
AS440S42TP	Diesel	10308	310	421	09.12-	■	■
AT440S42TP	Diesel	10308	310	421	09.12-	■	■
AD440S46TP	Diesel	10308	338	460	09.12-	■	■
AS440S46TFP	Diesel	10308	338	460	09.12-	■	■
AS440S46TP	Diesel	10308	338	460	09.12-	■	■
AS440S46TP	Diesel	10308	338	460	09.12-	■	■
AS440S46TP	Diesel	10308	338	460	09.12-	■	■
AT440S46TFP	Diesel	10308	338	460	09.12-	■	■
AT440S46TP	Diesel	10308	338	460	09.12-	■	■
AD440S42TP	Diesel	11118	309	420	09.12-	■	■
AD440S42TP MY16	Diesel	11118	309	420	06.16-	■	■
AD440X42T	Diesel	11118	309	420	05.17-	■	■
AD440X42TP	Diesel	11118	309	420	05.17-	■	■
AS440S42TFP	Diesel	11118	309	420	09.12-	■	■
AS440S42TFP MY16	Diesel	11118	309	420	06.16-	■	■
AS440S42TP	Diesel	11118	309	420	09.12-	■	■
AS440S42TP	Diesel	11118	309	420	09.12-	■	■
AS440S42TP	Diesel	11118	309	420	09.12-	■	■
AS440S42TP MY16	Diesel	11118	309	420	06.16-	■	■
AS440S42TP MY16	Diesel	11118	309	420	06.16-	■	■
AS440X42TP	Diesel	11118	309	420	05.17-	■	■
AT440S42TFP	Diesel	11118	309	420	09.12-	■	■
AT440S42TFP MY16	Diesel	11118	309	420	06.16-	■	■
AT440S42TP	Diesel	11118	309	420	09.12-	■	■
AT440S42TP	Diesel	11118	309	420	09.12-	■	■
AT440S42TP	Diesel	11118	309	420	09.12-	■	■
AT440S42TP MY16	Diesel	11118	309	420	06.16-	■	■
AT440S42TP MY16	Diesel	11118	309	420	06.16-	■	■
AT440X42TP	Diesel	11118	309	420	05.17-	■	■
AD440S46TP	Diesel	11118	338	460	09.12-	■	■
AD440S46TP MY16	Diesel	11118	338	460	06.16-	■	■
AD440X46TP	Diesel	11118	338	460	05.17-	■	■
AS440S46TFP	Diesel	11118	338	460	09.12-	■	■
AS440S46TFP MY16	Diesel	11118	338	460	06.16-	■	■
AS440S46TP	Diesel	11118	338	460	09.12-	■	■
AS440S46TP	Diesel	11118	338	460	09.12-	■	■
AS440S46TP	Diesel	11118	338	460	09.12-	■	■
AS440S46TP MY16	Diesel	11118	338	460	06.16-	■	■

## LISTA DE APLICACIONES - BUYERS GUIDE

AS440S46TP MY16		Diesel		11118	338	460	06.16-	■	■
AS440S46TP MY16		Diesel		11118	338	460	06.16-	■	■
AS440X46TP		Diesel		11118	338	460	05.17-	■	■
AT440S46TFP		Diesel		11118	338	460	09.12-	■	■
AT440S46TFP MY16		Diesel		11118	338	460	06.16-	■	■
AT440S46TP		Diesel		11118	338	460	09.12-	■	■
AT440S46TP		Diesel		11118	338	460	09.12-	■	■
AT440S46TP		Diesel		11118	338	460	09.12-	■	■
AT440S46TP		Diesel		11118	338	460	09.12-	■	■
AT440S46TP MY16		Diesel		11118	338	460	06.16-	■	■
AT440S46TP MY16		Diesel		11118	338	460	06.16-	■	■
AT440S46TP MY16		Diesel		11118	338	460	06.16-	■	■
AT440X46TP		Diesel		11118	338	460	05.17-	■	■
AT440X46TP		Diesel		11118	338	460	05.17-	■	■
AD440S48TP		Diesel		11118	353	480	09.12-	■	■
AD440S48TP MY16		Diesel		11118	353	480	06.16-	■	■
AD440X48T		Diesel		11118	353	480	05.17-	■	■
AD440X48TP		Diesel		11118	353	480	05.17-	■	■
AS440S48TFP		Diesel		11118	353	480	09.12-	■	■
AS440S48TFP MY16		Diesel		11118	353	480	06.16-	■	■
AS440S48TP		Diesel		11118	353	480	09.12-	■	■
AS440S48TP		Diesel		11118	353	480	09.12-	■	■
AS440S48TP		Diesel		11118	353	480	09.12-	■	■
AS440S48TP MY16		Diesel		11118	353	480	06.16-	■	■
AS440S48TP MY16		Diesel		11118	353	480	06.16-	■	■
AS440S48TP MY16		Diesel		11118	353	480	06.16-	■	■
AS440X48TP		Diesel		11118	353	480	05.17-	■	■
AT440S48TFP		Diesel		11118	353	480	09.12-	■	■
AT440S48TP		Diesel		11118	353	480	09.12-	■	■
AT440S48TP		Diesel		11118	353	480	09.12-	■	■
AT440S48TP		Diesel		11118	353	480	09.12-	■	■
AT440S48TP MY16		Diesel		11118	353	480	06.16-	■	■
AT440S48TP MY16		Diesel		11118	353	480	06.16-	■	■
AT440X48T		Diesel		11118	353	480	05.17-	■	■
AT440X48T		Diesel		11118	353	480	05.17-	■	■
AT440X48TP		Diesel		11118	353	480	05.17-	■	■
AT440X48TP		Diesel		11118	353	480	05.17-	■	■
AS440S50TFP		Diesel		12882	368	500	09.12-	■	■
AS440S50TP		Diesel		12882	368	500	09.12-	■	■
AS440S50TP		Diesel		12882	368	500	09.12-	■	■
AS440S50TP		Diesel		12882	368	500	09.12-	■	■
AS440S50TP MY16		Diesel		12882	368	500	06.16-	■	■
AS440S51TFP MY16		Diesel		12882	375	510	06.16-	■	■
AS440S51TP MY16		Diesel		12882	375	510	06.16-	■	■
AS440S51TP MY16		Diesel		12882	375	510	06.16-	■	■
AS440S51TP MY16		Diesel		12882	375	510	06.16-	■	■
AS440S51TP MY16		Diesel		12882	375	510	06.16-	■	■
AS440X51T		Diesel		12882	375	510	05.17-	■	■
AS440X51TP		Diesel		12882	375	510	05.17-	■	■
AS440X51TP		Diesel		12882	375	510	05.17-	■	■

# LISTA DE APLICACIONES - BUYERS GUIDE

AS440S56TFP		Diesel		12882	412	560	09.12-	■	■	
AS440S56TP		Diesel		12882	412	560	09.12-	■	■	
AS440S56TP		Diesel		12882	412	560	09.12-	■	■	
AS440S56TP		Diesel		12882	412	560	09.12-	■	■	
AS440S56TP		Diesel		12882	412	560	09.12-	■	■	
AS440S56TP MY16		Diesel		12882	412	560	06.16-	■	■	
AS440S57TFP MY16		Diesel		12882	420	571	06.16-	■	■	
AS440S57TP MY16		Diesel		12882	420	571	06.16-	■	■	
AS440S57TP MY16		Diesel		12882	420	571	06.16-	■	■	
AS440S57TP MY16		Diesel		12882	420	571	06.16-	■	■	
AS440S57TP MY16		Diesel		12882	420	571	06.16-	■	■	
AS440S57TP MY16		Diesel		12882	420	571	06.16-	■	■	
AS440X57T		Diesel		12882	420	571	05.17-	■	■	
AS440X57TP		Diesel		12882	420	571	05.17-	■	■	
AS440X57TP		Diesel		12882	420	571	05.17-	■	■	
<b>Stralis II 09.12-</b>							<b>Truck Tractor</b>			
AD440S33TP CNG		Gasolina		7790	243	330	09.12-	■	■	
AT440S33TP CNG		Gasolina		7790	243	330	09.12-	■	■	
AS440S40TP CNG		Gasolina		8709	294	400	09.12-	■	■	
AS440S46TP CNG+LNG MY16		Gasolina		12882	338	460	06.16-	■	■	
AS440S46TP CNG+LNG MY16		Gasolina		12882	338	460	06.16-	■	■	
AS440S46TP CNG MY16		Gasolina		12882	338	460	06.16-	■	■	
AS440S46TP CNG MY16		Gasolina		12882	338	460	06.16-	■	■	
AS440S46TP LNG MY16		Gasolina		12882	338	460	06.16-	■	■	
AS440S46TP LNG MY16		Gasolina		12882	338	460	06.16-	■	■	
<b>Strator 04.10-</b>							<b>Truck Tractor</b>			
ASN 440S42T		Diesel		10308	310	420	04.10-	■	■	
ASN 440S42TX		Diesel		10308	310	420	04.10-	■	■	
ASN 440S45T		Diesel		10308	331	450	04.10-	■	■	
ASN 440S45TX		Diesel		10308	331	450	04.10-	■	■	
ASN 440S50T		Diesel		12880	368	500	04.10-	■	■	
ASN 440S50TX		Diesel		12880	368	500	04.10-	■	■	
ASN 440S50TZ		Diesel		12880	368	500	04.10-	■	■	
ASN 440S56T		Diesel		12880	412	560	04.10-	■	■	
ASN 440S56TX		Diesel		12880	412	560	04.10-	■	■	
ASN 440S56TZ		Diesel		12880	412	560	04.10-	■	■	
<b>S-WAY 07.19-</b>							<b>Platform/Chassis</b>			
AD190S33FP		Diesel		8709	243	330	07.19-	■	■	
AD190S33P		Diesel		8709	243	330	07.19-	■	■	
AD260S33FP		Diesel		8709	243	330	07.19-	■	■	
AD260S33FP		Diesel		8709	243	330	07.19-	■	■	
AD260S33P		Diesel		8709	243	330	07.19-	■	■	
AD260S33P		Diesel		8709	243	330	07.19-	■	■	
AT190S33FP		Diesel		8709	243	330	07.19-	■	■	
AT190S33P		Diesel		8709	243	330	07.19-	■	■	
AT260S33P		Diesel		8709	243	330	07.19-	■	■	
AD190S34FP		Diesel		8709	251	340	07.19-	■	■	
AD190S34P		Diesel		8709	251	340	07.19-	■	■	
AD260S34FP		Diesel		8709	251	340	07.19-	■	■	
AD260S34P		Diesel		8709	251	340	07.19-	■	■	
AD260S34P		Diesel		8709	251	340	07.19-	■	■	

# LISTA DE APLICACIONES - BUYERS GUIDE

AT190S34FP		Diesel		8709	251	340	07.19-	■	■
AT190S34P		Diesel		8709	251	340	07.19-	■	■
AT260S34P		Diesel		8709	251	340	07.19-	■	■
AD190S36FP		Diesel		8709	265	360	07.19-	■	■
AD190S36P		Diesel		8709	265	360	07.19-	■	■
AD260S36FP		Diesel		8709	265	360	07.19-	■	■
AD260S36FP		Diesel		8709	265	360	07.19-	■	■
AD260S36P		Diesel		8709	265	360	07.19-	■	■
AD260S36P		Diesel		8709	265	360	07.19-	■	■
AT190S36FP		Diesel		8709	265	360	07.19-	■	■
AT190S36P		Diesel		8709	265	360	07.19-	■	■
AT260S36FP		Diesel		8709	265	360	07.19-	■	■
AT260S36P		Diesel		8709	265	360	07.19-	■	■
AT260S36P		Diesel		8709	265	360	07.19-	■	■
AD190S40FP		Diesel		8709	294	400	07.19-	■	■
AD190S40P		Diesel		8709	294	400	07.19-	■	■
AD260S40FP		Diesel		8709	294	400	07.19-	■	■
AD260S40P		Diesel		8709	294	400	07.19-	■	■
AD260S40P		Diesel		8709	294	400	07.19-	■	■
AT190S40FP		Diesel		8709	294	400	07.19-	■	■
AT190S40P		Diesel		8709	294	400	07.19-	■	■
AT260S40FP		Diesel		8709	294	400	07.19-	■	■
AT260S40P		Diesel		8709	294	400	07.19-	■	■
AD190S42FP		Diesel		11118	309	420	07.19-	■	■
AD190S42P		Diesel		11118	309	420	07.19-	■	■
AD260S42FP		Diesel		11118	309	420	07.19-	■	■
AD260S42FP		Diesel		11118	309	420	07.19-	■	■
AD260S42P		Diesel		11118	309	420	07.19-	■	■
AD260S42P		Diesel		11118	309	420	07.19-	■	■
AS190S42FP		Diesel		11118	309	420	07.19-	■	■
AS190S42P		Diesel		11118	309	420	07.19-	■	■
AS260S42FP		Diesel		11118	309	420	07.19-	■	■
AS260S42FP		Diesel		11118	309	420	07.19-	■	■
AS260S42P		Diesel		11118	309	420	07.19-	■	■
AS260S42P		Diesel		11118	309	420	07.19-	■	■
AT190S42FP		Diesel		11118	309	420	07.19-	■	■
AT190S42P		Diesel		11118	309	420	07.19-	■	■
AT260S42FP		Diesel		11118	309	420	07.19-	■	■
AT260S42FP		Diesel		11118	309	420	07.19-	■	■
AT260S42P		Diesel		11118	309	420	07.19-	■	■
AT260S42P		Diesel		11118	309	420	07.19-	■	■
AD190S46FP		Diesel		11118	338	460	07.19-	■	■
AD190S46P		Diesel		11118	338	460	07.19-	■	■
AD260S46FP		Diesel		11118	338	460	07.19-	■	■
AD260S46P		Diesel		11118	338	460	07.19-	■	■
AD260S46P		Diesel		11118	338	460	07.19-	■	■
AS260S46FP		Diesel		11118	338	460	07.19-	■	■
AS260S46FP		Diesel		11118	338	460	07.19-	■	■
AS260S46P		Diesel		11118	338	460	07.19-	■	■
AS260S46P		Diesel		11118	338	460	07.19-	■	■
AT190S46FP		Diesel		11118	338	460	07.19-	■	■

## LISTA DE APLICACIONES - BUYERS GUIDE

AT260S46FP		Diesel		11118	338	460	07.19-	■	■
AT260S46FP		Diesel		11118	338	460	07.19-	■	■
AT260S46P		Diesel		11118	338	460	07.19-	■	■
AT260S46P		Diesel		11118	338	460	07.19-	■	■
AD190S48FP		Diesel		11118	353	480	07.19-	■	■
AD190S48P		Diesel		11118	353	480	07.19-	■	■
AD260S48FP		Diesel		11118	353	480	07.19-	■	■
AD260S48FP		Diesel		11118	353	480	07.19-	■	■
AD260S48P		Diesel		11118	353	480	07.19-	■	■
AS190S48FP		Diesel		11118	353	480	07.19-	■	■
AS190S48P		Diesel		11118	353	480	07.19-	■	■
AS260S48FP		Diesel		11118	353	480	07.19-	■	■
AS260S48FP		Diesel		11118	353	480	07.19-	■	■
AS260S48P		Diesel		11118	353	480	07.19-	■	■
AS260S48P		Diesel		11118	353	480	07.19-	■	■
AT190S48FP		Diesel		11118	353	480	07.19-	■	■
AT260S48FP		Diesel		11118	353	480	07.19-	■	■
AT260S48FP		Diesel		11118	353	480	07.19-	■	■
AT260S48P		Diesel		11118	353	480	07.19-	■	■
AT260S48P		Diesel		11118	353	480	07.19-	■	■
AS190S49FP		Diesel		12882	357	490	07.19-	■	■
AS190S49P		Diesel		12882	357	490	07.19-	■	■
AS260S49FP		Diesel		12882	357	490	07.19-	■	■
AS260S49FP		Diesel		12882	357	490	07.19-	■	■
AS260S49P		Diesel		12882	357	490	07.19-	■	■
AS260S49P		Diesel		12882	357	490	07.19-	■	■
AS190S51FP		Diesel		12882	375	510	07.19-	■	■
AS190S51P		Diesel		12882	375	510	07.19-	■	■
AS260S51FP		Diesel		12882	375	510	07.19-	■	■
AS190S53FP		Diesel		12882	387	530	07.19-	■	■
AS260S53FP		Diesel		12882	387	530	07.19-	■	■
AS260S53P		Diesel		12882	387	530	07.19-	■	■
AS260S57FP		Diesel		12882	420	570	07.19-	■	■
AS260S57FP		Diesel		12882	420	570	07.19-	■	■
AS260S57P		Diesel		12882	420	570	07.19-	■	■
<b>S-WAY 07.19-</b>							<b>Platform/Chassis</b>		
AD190S27P CNG		Gasolina		8709	200	272	07.19-	■	■
AD190S27P CNG+LNG		Gasolina		8709	200	272	07.19-	■	■
AD190S27P LNG		Gasolina		8709	200	272	07.19-	■	■
AD260S27P CNG		Gasolina		8709	200	272	07.19-	■	■
AD260S27P CNG+LNG		Gasolina		8709	200	272	07.19-	■	■
AD260S27P LNG		Gasolina		8709	200	272	07.19-	■	■
AD190S34FP CNG		Gasolina		8709	250	340	07.19-	■	■
AD190S34FP CNG+LNG		Gasolina		8709	250	340	07.19-	■	■
AD190S34FP LNG		Gasolina		8709	250	340	07.19-	■	■
AD190S34P CNG		Gasolina		8709	250	340	07.19-	■	■
AD190S34P CNG+LNG		Gasolina		8709	250	340	07.19-	■	■
AD190S34P LNG		Gasolina		8709	250	340	07.19-	■	■
AD260S34FP CNG		Gasolina		8709	250	340	07.19-	■	■
AD260S34FP CNG+LNG		Gasolina		8709	250	340	07.19-	■	■
AD260S34FP LNG		Gasolina		8709	250	340	07.19-	■	■

# LISTA DE APLICACIONES - BUYERS GUIDE

AD260S34P CNG	Gasolina	8709	250	340	07.19-	■	■	
AD260S34P CNG+LNG	Gasolina	8709	250	340	07.19-	■	■	
AD260S34P LNG	Gasolina	8709	250	340	07.19-	■	■	
AT190S34FP CNG	Gasolina	8709	250	340	07.19-	■	■	
AT190S34FP CNG+LNG	Gasolina	8709	250	340	07.19-	■	■	
AT190S34FP LNG	Gasolina	8709	250	340	07.19-	■	■	
AT190S34P CNG	Gasolina	8709	250	340	07.19-	■	■	
AT190S34P CNG+LNG	Gasolina	8709	250	340	07.19-	■	■	
AT190S34P LNG	Gasolina	8709	250	340	07.19-	■	■	
AT260S34FP CNG	Gasolina	8709	250	340	07.19-	■	■	
AT260S34FP CNG+LNG	Gasolina	8709	250	340	07.19-	■	■	
AT260S34FP LNG	Gasolina	8709	250	340	07.19-	■	■	
AD190S40FP CNG	Gasolina	8709	294	400	07.19-	■	■	
AD190S40FP CNG+LNG	Gasolina	8709	294	400	07.19-	■	■	
AD190S40FP LNG	Gasolina	8709	294	400	07.19-	■	■	
AD190S40P CNG	Gasolina	8709	294	400	07.19-	■	■	
AD190S40P CNG+LNG	Gasolina	8709	294	400	07.19-	■	■	
AD190S40P LNG	Gasolina	8709	294	400	07.19-	■	■	
AD260S40FP CNG	Gasolina	8709	294	400	07.19-	■	■	
AD260S40FP CNG+LNG	Gasolina	8709	294	400	07.19-	■	■	
AD260S40FP LNG	Gasolina	8709	294	400	07.19-	■	■	
AD260S40P CNG	Gasolina	8709	294	400	07.19-	■	■	
AD260S40P CNG+LNG	Gasolina	8709	294	400	07.19-	■	■	
AD260S40P LNG	Gasolina	8709	294	400	07.19-	■	■	
AT190S40FP CNG	Gasolina	8709	294	400	07.19-	■	■	
AT190S40FP CNG+LNG	Gasolina	8709	294	400	07.19-	■	■	
AT190S40FP LNG	Gasolina	8709	294	400	07.19-	■	■	
AT190S40P CNG	Gasolina	8709	294	400	07.19-	■	■	
AT190S40P CNG+LNG	Gasolina	8709	294	400	07.19-	■	■	
AT190S40P LNG	Gasolina	8709	294	400	07.19-	■	■	
AT260S40FP CNG	Gasolina	8709	294	400	07.19-	■	■	
AT260S40FP CNG+LNG	Gasolina	8709	294	400	07.19-	■	■	
AT260S40FP LNG	Gasolina	8709	294	400	07.19-	■	■	
AT260S40P CNG	Gasolina	8709	294	400	07.19-	■	■	
AT260S40P CNG+LNG	Gasolina	8709	294	400	07.19-	■	■	
AT260S40P LNG	Gasolina	8709	294	400	07.19-	■	■	
AS190S46FP CNG	Gasolina	12882	338	460	07.19-	■	■	
AS190S46FP CNG+LNG	Gasolina	12882	338	460	07.19-	■	■	
AS190S46FP LNG	Gasolina	12882	338	460	07.19-	■	■	
AS260S46FP CNG	Gasolina	12882	338	460	07.19-	■	■	
AS260S46FP CNG+LNG	Gasolina	12882	338	460	07.19-	■	■	
AS260S46FP LNG	Gasolina	12882	338	460	07.19-	■	■	
AS260S46P CNG	Gasolina	12882	338	460	07.19-	■	■	
AS260S46P CNG+LNG	Gasolina	12882	338	460	07.19-	■	■	
AS260S46P LNG	Gasolina	12882	338	460	07.19-	■	■	
<b>S-WAY 07.19-</b>							<b>Truck Tractor</b>	
AT440S33TP	Diesel	8709	243	330	07.19-	■	■	
AD440S36TFP	Diesel	8709	265	360	07.19-	■	■	
AD440S36TP	Diesel	8709	265	360	07.19-	■	■	
AT440S36TP	Diesel	8709	265	360	07.19-	■	■	
AD440S40TP	Diesel	8709	294	400	07.19-	■	■	

# LISTA DE APLICACIONES - BUYERS GUIDE

AT440S40TFP		Diesel		8709	294	400	07.19-	■	■
AT440S40TP		Diesel		8709	294	400	07.19-	■	■
AD440S42TP		Diesel		11118	309	420	07.19-	■	■
AS440S42TP		Diesel		11118	309	420	07.19-	■	■
AT440S42TFP		Diesel		11118	309	420	07.19-	■	■
AT440S42TP		Diesel		11118	309	420	07.19-	■	■
AD440S46TFP		Diesel		11118	338	460	07.19-	■	■
AD440S46TP		Diesel		11118	338	460	07.19-	■	■
AS440S46TFP		Diesel		11118	338	460	07.19-	■	■
AS440S46TP		Diesel		11118	338	460	07.19-	■	■
AS440S46TP		Diesel		11118	338	460	07.19-	■	■
AT440S46TFP		Diesel		11118	338	460	07.19-	■	■
AT440S46TP		Diesel		11118	338	460	07.19-	■	■
AD440S48TFP		Diesel		11118	353	480	07.19-	■	■
AD440S48TP		Diesel		11118	353	480	07.19-	■	■
AS440S48TFP		Diesel		11118	353	480	07.19-	■	■
AS440S48TFP		Diesel		11118	353	480	07.19-	■	■
AS440S48TP		Diesel		11118	353	480	07.19-	■	■
AS440S48TP		Diesel		11118	353	480	07.19-	■	■
AT440S48TFP		Diesel		11118	353	480	07.19-	■	■
AT440S48TP		Diesel		11118	353	480	07.19-	■	■
AT440S48TP		Diesel		11118	353	480	07.19-	■	■
AS440S49TFP		Diesel		12882	357	490	07.19-	■	■
AS440S49TFP		Diesel		12882	357	490	07.19-	■	■
AS440S49TP		Diesel		12882	357	490	07.19-	■	■
AS440S49TP		Diesel		12882	357	490	07.19-	■	■
AS440S49TP		Diesel		12882	357	490	07.19-	■	■
AS440S51TFP		Diesel		12882	375	510	07.19-	■	■
AS440S51TFP		Diesel		12882	375	510	07.19-	■	■
AS440S51TP		Diesel		12882	375	510	07.19-	■	■
AS440S53TFP		Diesel		12882	387	530	07.19-	■	■
AS440S53TFP		Diesel		12882	387	530	07.19-	■	■
AS440S53TFP		Diesel		12882	387	530	07.19-	■	■
AS440S53TP		Diesel		12882	387	530	07.19-	■	■
AS440S53TP		Diesel		12882	387	530	07.19-	■	■
AS440S53TP		Diesel		12882	387	530	07.19-	■	■
AS440S57TFP		Diesel		12882	420	570	07.19-	■	■
AS440S57TFP		Diesel		12882	420	570	07.19-	■	■
AS440S57TP		Diesel		12882	420	570	07.19-	■	■
AS440S57TP		Diesel		12882	420	570	07.19-	■	■
<b>S-WAY 07.19-</b>								<b>Truck Tractor</b>	
AS440S40TP CNG		Gasolina		8709	294	400	07.19-	■	■
AS440S40TP CNG+LNG		Gasolina		8709	294	400	07.19-	■	■
AS440S40TP LNG		Gasolina		8709	294	400	07.19-	■	■
AS440S46TFP CNG		Gasolina		12882	338	460	07.19-	■	■
AS440S46TFP CNG+LNG		Gasolina		12882	338	460	07.19-	■	■
AS440S46TFP LNG		Gasolina		12882	338	460	07.19-	■	■
AS440S46TP CNG		Gasolina		12882	338	460	07.19-	■	■
AS440S46TP CNG		Gasolina		12882	338	460	07.19-	■	■
AS440S46TP CNG+LNG		Gasolina		12882	338	460	07.19-	■	■
AS440S46TP CNG+LNG		Gasolina		12882	338	460	07.19-	■	■

# LISTA DE APLICACIONES - BUYERS GUIDE

AS440S46TP LNG		Gasolina		12882	338	460	07.19-	■	■
AS440S46TP LNG		Gasolina		12882	338	460	07.19-	■	■
<b>Tector II 08.12-12.18</b>				<b>Platform/Chassis</b>					
150E21 (F4AFE411C)		Diesel		4485	150	204	01.12-	■	
170E22 (F4AE3681B)		Diesel		5883	160	218	01.12-	■	
170E28 (F4AE3681E)		Diesel		5883	206	280	01.12-	■	
240E28 (F4AE3681E)		Diesel		5883	206	280	01.12-	■	
<b>Tector II 08.12-12.18</b>				<b>Truck Tractor</b>					
170E28 (F4AE3681E)		Diesel		5883	206	280	09.12-	■	
<b>Trakker 09.04-</b>				<b>Concrete Mixer</b>					
AD260T31		Diesel		7790	228	310	11.04-10.07	■	
AD 260T31 B (F2BE0681B)		Diesel		7790	228	310	06.05-10.07	■	
AD260T31P		Diesel		7790	228	310	11.04-10.07	■	
AD260T33		Diesel		7790	243	330	11.04-12.12	■	
AD 260T33 B (F2BE3681B)		Diesel		7790	243	330	11.04-12.12	■	
AT260T33		Diesel		7790	243	330	11.04-12.12	■	■
AD 260T35 B (F2BE0681A)		Diesel		7790	259	352	06.05-10.07	■	
AD 340T35 B, AT 340T35 B (F2BE0681A)		Diesel		7790	259	352	06.05-10.07	■	
AD380T35		Diesel		7790	259	352	11.04-10.07	■	
AT260T35		Diesel		7790	259	352	11.04-10.07	■	■
AD 260T36 B (F2BE3681A)		Diesel		7790	265	360	07.07-12.12	■	
AD 340T36 B (F2BE3681A)		Diesel		7790	265	360	06.06-12.12	■	
AD380T36		Diesel		7790	265	360	11.04-10.07	■	
AD380T36		Diesel		7790	265	360	11.04-12.12	■	
AD380T36P		Diesel		7790	265	360	11.04-10.07	■	
AD410T36		Diesel		7790	265	360	11.04-12.12	■	
AT340T36		Diesel		7790	265	360	11.04-12.12	■	■
AD 440T44 B (F3BE0681C)		Diesel		12880	324	440	06.05-12.12	■	
AD260T38		Diesel		12882	279	379	01.07-12.12	■	
AD380T38		Diesel		12882	279	379	01.07-12.12	■	■
AD410T38		Diesel		12882	279	379	01.07-12.12	■	■
AT380T38		Diesel		12882	279	379	01.07-12.12	■	■
AT410T38		Diesel		12882	279	379	01.07-12.12	■	■
AD 260T38 B (F3BE0681G)		Diesel		12882	280	380	06.05-10.07	■	
AD 340T38 B, AT 34T38 B (F3BE0681G)		Diesel		12882	280	380	06.05-10.07	■	
AD340T38P		Diesel		12882	280	381	11.04-10.07	■	
AD 380T38 B (F3BE0681G)		Diesel		12882	280	380	06.05-12.12	■	
AD 410T38 B, AT 410T38 B (F3BE0681G)		Diesel		12882	280	380	06.05-10.07	■	
AT380T38		Diesel		12882	280	381	11.04-10.07	■	
AT380T38		Diesel		12882	280	381	11.04-12.12	■	
AT410T38		Diesel		12882	280	381	11.04-10.07	■	■
AD260T41		Diesel		12882	302	411	11.04-12.12	■	
AD260T41P		Diesel		12882	302	411	11.04-12.12	■	
AD 340T41 B (F3B3681D)		Diesel		12882	302	410	06.06-12.12	■	
AD380T41		Diesel		12882	302	411	11.04-12.12	■	
AD380T41P		Diesel		12882	302	411	01.07-12.12	■	
AD410T41		Diesel		12882	302	411	11.04-12.12	■	
AT260T41		Diesel		12882	302	411	11.04-12.12	■	■
AT260T41P		Diesel		12882	302	411	11.04-10.07	■	■
AT340T41		Diesel		12882	302	411	11.04-12.12	■	■

## LISTA DE APLICACIONES - BUYERS GUIDE

AT340T41P		Diesel		12882	302	411	01.07-12.12	■	■
AT380T41		Diesel		12882	302	411	11.04-12.12	■	■
AT380T41P		Diesel		12882	302	411	01.07-12.12	■	■
AT410T41		Diesel		12882	302	411	11.04-12.12	■	■
AD340T42		Diesel		12882	309	420	01.07-12.12	■	
AD380T42		Diesel		12882	309	420	01.07-12.12	■	
AD410T42		Diesel		12882	309	420	11.04-12.12	■	■
AT380T42		Diesel		12882	309	420	11.04-12.12	■	
AT410T42		Diesel		12882	309	420	01.07-12.12	■	■
AD260T44		Diesel		12882	324	441	11.04-10.07	■	
AD260T44P		Diesel		12882	324	441	11.04-10.07	■	
AD 340T44 B, AT 340T44 B (F3BE0681C)		Diesel		12882	324	440	06.05-10.07	■	
AD 380T44 B (F3BE0681C)		Diesel		12882	324	440	06.05-10.07	■	
AD380T44H		Diesel		12882	324	441	01.07-12.12	■	■
AD 410T44 B, AT 410T44 B (F3BE0681C)		Diesel		12882	324	440	06.05-12.12	■	
AD410T44W		Diesel		12882	324	441	01.07-12.12	■	
AT260T44		Diesel		12882	324	441	11.04-10.07	■	■
AT260T44P		Diesel		12882	324	441	11.04-10.07	■	■
AT380T44		Diesel		12882	324	441	11.04-10.07	■	■
AT380T44		Diesel		12882	324	441	11.04-12.12	■	■
AT380T44P		Diesel		12882	324	441	11.04-10.07	■	■
AD260T45		Diesel		12882	332	451	11.04-12.12	■	
AD260T45P		Diesel		12882	332	451	11.04-12.12	■	
AD260T45W		Diesel		12882	332	451	11.04-10.07	■	
AD 340T45 B (F3B3681C)		Diesel		12882	332	450	06.06-12.12	■	
AD380T45		Diesel		12882	332	451	11.04-10.07	■	
AD380T45		Diesel		12882	332	451	11.04-12.12	■	
AD380T45P		Diesel		12882	332	451	11.04-10.07	■	
AD380T45P		Diesel		12882	332	451	01.07-12.12	■	
AD380T45W		Diesel		12882	332	451	01.07-12.12	■	
AD410T45		Diesel		12882	332	451	11.04-12.12	■	
AT260T45		Diesel		12882	332	451	11.04-12.12	■	■
AT260T45P		Diesel		12882	332	451	11.04-12.12	■	■
AT340T45		Diesel		12882	332	451	11.04-12.12	■	■
AT340T45P		Diesel		12882	332	451	11.04-12.12	■	■
AT380T45		Diesel		12882	332	451	11.04-12.12	■	■
AT380T45P		Diesel		12882	332	451	01.07-12.12	■	■
AT410T45		Diesel		12882	332	451	11.04-12.12	■	■
AT410T45P		Diesel		12882	332	451	01.07-12.12	■	■
AD260T48		Diesel		12882	353	480	11.04-10.07	■	
AD260T48P		Diesel		12882	353	480	11.04-10.07	■	
AD380T48		Diesel		12882	353	480	11.04-10.07	■	
AD 410T48 B, AT 410T48 B (F3BE0681E)		Diesel		12882	353	480	06.05-10.07	■	
AT260T48		Diesel		12882	353	480	11.04-10.07	■	
AT380T48		Diesel		12882	353	480	11.04-10.07	■	■
AD260T50		Diesel		12882	368	500	11.04-12.12	■	
AD260T50P		Diesel		12882	368	500	01.07-12.12	■	
AD380T50		Diesel		12882	368	500	11.04-12.12	■	
AD380T50P		Diesel		12882	368	500	01.07-12.12	■	
AD410T50		Diesel		12882	368	500	11.04-12.12	■	
AD410T50P		Diesel		12882	368	500	01.07-12.12	■	

## LISTA DE APLICACIONES - BUYERS GUIDE

AT260T50		Diesel		12882	368	500	11.04-12.12	■	■
AT260T50P		Diesel		12882	368	500	11.04-12.12	■	■
AT380T50		Diesel		12882	368	500	11.04-12.12	■	■
AT380T50P		Diesel		12882	368	500	01.07-12.12	■	■
AT410T50		Diesel		12882	368	500	11.04-12.12	■	■
AT410T50P		Diesel		12882	368	500	01.07-12.12	■	■
<b>Trakker 09.04-</b>								<b>Dump Truck</b>	
AD 190T31, AT 190T31 (F2BE0681B)		Diesel		7790	228	310	10.04-10.07	■	
AD 190T31 W, AT 190T31 W (F2BE0681B)		Diesel		7790	228	310	10.04-12.12	■	
AD 260T31, AT 260T31 (F2BE0681B)		Diesel		7790	228	310	10.04-	■	
AD 190T35, AD 190T36, AT 190T35, AT 190T36 (F2BE0681A)		Diesel		7790	259	352	10.04-12.12	■	
AD 190T35, AD 190T36, AT 190T35, AT 190T36 (F2BE3681A)		Diesel		7790	259	352	10.04-12.12	■	
AD 190T35 W, AD 190T36 W, AT 190T35 W, AT 190T36 W (F2BE0681A)		Diesel		7790	259	352	10.04-10.07	■	
AD 190T35 W, AD 190T36 W, AT 190T35 W, AT 190T36 W (F2BE3681A)		Diesel		7790	259	352	10.04-10.07	■	
AD 260T35, 260T36, 380T36, AT 260T35, 260T36, 380T36 (F2BE0681A)		Diesel		7790	259	352	10.04-12.12	■	
AD 260T35, 260T36, 380T36, AT 260T35, 260T36, 380T36 (F2BE3681A)		Diesel		7790	259	352	10.04-12.12	■	
AD 190T38, AT 190T38 (F3BE0681G)		Diesel		12882	280	380	10.04-12.12	■	
AD 190T38 W, AT 190T38 W (F3BE0681G)		Diesel		12882	280	380	10.04-10.07	■	
AD 260T38, AT 260T38 (F3BE0681G)		Diesel		12882	280	380	10.04-	■	
AD 190T44, AD 190T45, AT 190T44, AT 190T45 (F3BE0681C)		Diesel		12882	324	440	10.04-12.12	■	
AD 190T44, AD 190T45, AT 190T44, AT 190T45 (F3BE3681C)		Diesel		12882	324	440	10.04-12.12	■	
AD 190T44 W, AD 190T45 W, AT 190T44 W, AD 190T45W (F3BE0681C)		Diesel		12882	324	440	10.04-12.12	■	
AD 190T44 W, AD 190T45 W, AT 190T44 W, AD 190T45W (F3BE3681C)		Diesel		12882	324	440	10.04-12.12	■	
<b>Trakker 09.04-</b>								<b>Platform/Chassis</b>	
AD 180T27 W, AT 180T27 W (F2BE0681F)		Diesel		7790	200	272	06.05-10.07	■	■
AD 190T27, AT 190T27 (F2BE0681F)		Diesel		7790	200	272	06.05-10.07	■	
AT180T27W		Diesel		7790	200	272	11.04-10.07	■	■
AD 190T31, AT 190T31 (F2BE0681B)		Diesel		7790	228	310	10.04-10.07	■	
AD 190T31 W, AT 190T31 W (F2BE0681B)		Diesel		7790	228	310	06.05-10.07	■	■
AD 190T31 W, AT 190T31 W (F2BE3681C)		Diesel		7790	228	310	06.05-10.07	■	■
AD 260T31, AT 260T31 (F2BE0681B)		Diesel		7790	228	310	10.04-10.07	■	
AT190T31		Diesel		7790	228	310	01.07-12.12	■	■
AD 190T33, AT 190T33 (F2BE3681B)		Diesel		7790	243	330	03.06-12.12	■	■
AD 190T33 W, AT 190T33 W (F2BE3681B)		Diesel		7790	243	330	03.06-12.12	■	■
AD 260T33, AD 380T33, AT 260T33, AT 380T33 (F2BE3681B)		Diesel		7790	243	330	03.06-12.12	■	
AD 190T35, AT 190T35, AD 190T36, AT 190T36 (F2BE0681A)		Diesel		7790	259	352	06.05-10.07	■	
AD 190T35 W, AT 190T35 W, AD 190T36 W, AT 190T36 W (F2BE0681A)		Diesel		7790	259	352	01.05-10.07	■	
AD 190T35 W, AT 190T35 W, AD 190T36 W, AT 190T36 W (F2BE3681A)		Diesel		7790	259	352	01.05-10.07	■	
AD 260T35, AT 260T35 (F2BE0681A)		Diesel		7790	259	352	10.04-10.07	■	
AD 260T35 W, AT 260T35 W (F2BE0681A)		Diesel		7790	259	352	06.05-10.07	■	
AD 340T35, AT 340T35 (F2BE0681A)		Diesel		7790	259	352	06.05-10.07	■	
AD380T35 (F2BE0681A)		Diesel		7790	259	352	01.05-10.07	■	
AD 410T35 (F2BE0681A)		Diesel		7790	259	352	02.05-10.07	■	
AD 260T36, AT 260T36 (F2BE3681A)		Diesel		7790	265	360	03.06-10.07	■	

## LISTA DE APLICACIONES - BUYERS GUIDE

AD 260T36 W, AD 380T36 W, AT 260T36 W, AT 380T36 W (F2BE3681A)	Diesel		7790	265	360	10.04-12.12	■	■
AD 340T36, AT 340T36 (F2BE3681A)	Diesel		7790	265	360	03.06-12.12	■	
AD 340T36, AT 340T36 (F2BE3681A)	Diesel		7790	265	360	07.07-12.12	■	
AD380T36	Diesel		7790	265	360	11.04-12.12	■	■
AD380T36	Diesel		7790	265	360	11.04-10.07	■	
AD380T36P	Diesel		7790	265	360	11.04-10.07	■	
AD 380T36 W, AT 380T36 W (F2BE3681A)	Diesel		7790	265	360	04.06-10.07	■	
AD 410T36, AT 410T36 (F2BE3681A)	Diesel		7790	265	360	03.06-	■	
AD 410T38 H (F3BE0681G)	Diesel		12880	280	380	04.05-12.12	■	
AT 340T38 (F3BE0681G)	Diesel		12880	280	380	03.05-10.07	■	
AT 340T38 W (F3BE0681G)	Diesel		12880	280	380	09.05-10.07	■	
AD 190T44 W, AT 190T44 W, AD 190T45W, AT 190T45W (F3BE3681C)	Diesel		12880	324	440	06.05-	■	
AD 380T45 W, AT 380T45 W (F3B3681C)	Diesel		12880	331	450	09.06-	■	
AD 260T45, AD 380T45, AT 260T45, AT 380T45 (F3BE3681C)	Diesel		12880	332	450	03.06-	■	
AD 260T45, AD 380T45, AT 260T45, AT 380T45 (F3HFE611/450)	Diesel		12880	332	450	03.06-	■	
AD 340T50, AT 340T50 (F3BE3681B)	Diesel		12880	368	500	03.06-	■	
AD260T38	Diesel		12882	279	379	01.07-12.12	■	
AD380T38	Diesel		12882	279	379	01.07-12.12	■	■
AD380T38W	Diesel		12882	279	379	01.07-12.12	■	
AD410T38	Diesel		12882	279	379	01.07-12.12	■	■
AT380T38	Diesel		12882	279	379	01.07-12.12	■	■
AT410T38	Diesel		12882	279	379	01.07-12.12	■	■
AD 190T38, AT 190T38 (F3BE0681G)	Diesel		12882	280	380	10.04-12.12	■	
AD 190T38 W, AT 190T38 W	Diesel		12882	280	380	06.05-12.12	■	
AD260T38	Diesel		12882	280	381	11.04-10.07	■	
AD 260T38, AD 260T38 /P, AT 260T38 (F3BE0681G)	Diesel		12882	280	380	06.05-10.07	■	
AD 260T38 W, AT 260T38 W (F3BE0681G)	Diesel		12882	280	380	06.05-10.07	■	
AD340T38	Diesel		12882	280	381	11.04-10.07	■	
AD340T38P	Diesel		12882	280	381	11.04-10.07	■	
AD 380T38, AT 380T38 (F3BE0681G)	Diesel		12882	280	380	01.05-10.07	■	
AD380T38W	Diesel		12882	280	381	11.04-12.12	■	
AD 380T38 W, AT 380T38 W (F3BE0681G)	Diesel		12882	280	380	06.05-10.07	■	
AD410T38 (F3BE0681G)	Diesel		12882	280	380	02.05-10.07	■	
AT260T38	Diesel		12882	280	381	11.04-10.07	■	■
AT260T38P	Diesel		12882	280	381	11.04-10.07	■	■
AT380T38	Diesel		12882	280	381	11.04-10.07	■	
AT410T38	Diesel		12882	280	381	11.04-10.07	■	■
AD 410T41, AT 410T41 (F3B3681D)	Diesel		12882	301	410	06.06-	■	
AD 410T41, AT 410T41 (F3BE3681D)	Diesel		12882	301	410	06.06-	■	
AD 410T41, AT 410T41 (F3HFE611/410)	Diesel		12882	301	410	06.06-	■	
AD190T41	Diesel		12882	302	411	11.04-12.12	■	
AD 190T41, AT 190T41 (F3BE3681D)	Diesel		12882	302	410	03.06-	■	
AD 190T41, AT 190T41 (F3HFE611/410)	Diesel		12882	302	410	03.06-	■	
AD190T41W	Diesel		12882	302	411	11.04-12.12	■	
AD260T41	Diesel		12882	302	411	11.04-12.12	■	
AD 260T41, AD 380T41, AT 260T41, AT 380T41 (F3BE3681D)	Diesel		12882	302	410	03.06-	■	
AD 260T41, AD 380T41, AT 260T41, AT 380T41 (F3HFE611/410)	Diesel		12882	302	410	03.06-	■	
AD260T41P	Diesel		12882	302	411	11.04-12.12	■	

## LISTA DE APLICACIONES - BUYERS GUIDE

AD 260T41 W, AD 380T41 W, AT 260T41 W, AT 380T41 W (F3BE3681D)	Diesel		12882	302	410	03.06-12.12	■	■
AD 340T41, AT 340T41 (F3BE3681D)	Diesel		12882	302	410	03.06-12.12	■	
AD 340T41, AT 340T41 (F3B3681D)	Diesel		12882	302	410	06.06-	■	
AD 340T41, AT 340T41 (F3HFE611/410)	Diesel		12882	302	410	06.06-	■	
AD 380T41, AT 380T41 (F3B3681D)	Diesel		12882	302	410	09.06-	■	
AD 380T41 W, AT 380T41 W (F3B3681D)	Diesel		12882	302	410	09.06-	■	
AD 410T41, AT 410T41 (F3BE3681D)	Diesel		12882	302	410	03.06-12.12	■	
AT190T41	Diesel		12882	302	411	01.07-12.12	■	■
AT260T41	Diesel		12882	302	411	11.04-12.12	■	■
AT260T41P	Diesel		12882	302	411	11.04-10.07	■	■
AT380T41	Diesel		12882	302	411	11.04-12.12	■	■
AT380T41P	Diesel		12882	302	411	01.07-12.12	■	■
AD260T42	Diesel		12882	309	420	01.07-12.12	■	
AD340T42	Diesel		12882	309	420	01.07-12.12	■	
AD380T42	Diesel		12882	309	420	01.07-12.12	■	
AD 380T42 W (F3BE0681V)	Diesel		12882	309	420	01.05-12.12	■	
AT260T42	Diesel		12882	309	420	01.07-12.12	■	■
AD 190T44, AT 190T44, AD 19T45, AT 190T45 (F3B3681G)	Diesel		12882	324	440	06.05-10.07	■	
AD260T44	Diesel		12882	324	441	11.04-10.07	■	
AD 260T44, AD 260T44 /P, AT 260T44 (F3BE0681C)	Diesel		12882	324	440	06.05-10.07	■	
AD 260T44 W, AT 260T44 W (F3BE0681C)	Diesel		12882	324	440	06.05-10.07	■	
AD 340T44, AT 340T44 (F3BE0681C)	Diesel		12882	324	440	06.05-10.07	■	
AD 380T44, AT 380T44 (F3BE0681C)	Diesel		12882	324	440	06.05-10.07	■	
AD380T44H	Diesel		12882	324	441	01.07-12.12	■	■
AD 380T44 W, AT 380T44 W (F3BE0681C)	Diesel		12882	324	440	06.05-12.12	■	
AD 410T44, AT 410T44 (F3BE0681C)	Diesel		12882	324	440	02.05-10.07	■	
AD 410T44 W , AT 410T44 W (F3BE0681C)	Diesel		12882	324	440	06.05-12.12	■	
AT260T44	Diesel		12882	324	441	11.04-12.12	■	■
AT260T44P	Diesel		12882	324	441	11.04-10.07	■	■
AT340T44P	Diesel		12882	324	441	11.04-10.07	■	■
AT380T44	Diesel		12882	324	441	11.04-12.12	■	■
AT380T44	Diesel		12882	324	441	11.04-10.07	■	■
AT380T44P	Diesel		12882	324	441	11.04-10.07	■	■
AT410T44	Diesel		12882	324	441	11.04-12.12	■	■
AD260T45	Diesel		12882	332	451	11.04-12.12	■	
AD260T45P	Diesel		12882	332	451	11.04-12.12	■	
AD 260T45 W, AD 380T45 W, AT 260T45 W, AT 380T45 W (F3BE3681C)	Diesel		12882	332	450	03.06-12.12	■	■
AD 340T45, AD 340T45 /P, AT 340T45, AT 34T45 /P (F3BE3681C)	Diesel		12882	332	450	06.06-	■	
AD 340T45, AD 340T45 /P, AT 340T45, AT 34T45 /P (F3HFE611/450)	Diesel		12882	332	450	06.06-	■	
AD 340T45, AT 340T45 (F3BE3681C)	Diesel		12882	332	450	03.06-12.12	■	
AD380T45	Diesel		12882	332	451	11.04-12.12	■	
AD380T45	Diesel		12882	332	451	11.04-10.07	■	
AD380T45P	Diesel		12882	332	451	01.07-12.12	■	
AD380T45P	Diesel		12882	332	451	11.04-10.07	■	
AD 410T45, AT 410T45 (F3BE3681C)	Diesel		12882	332	450	03.06-12.12	■	
AD 410T45, AT 410T45 (F3B3681C)	Diesel		12882	332	450	06.06-	■	
AD 410T45, AT 410T45 (F3HFE611/450)	Diesel		12882	332	450	06.06-	■	
AD 410T45 W (F3BE3681C)	Diesel		12882	332	450	03.06-12.12	■	■
AD 410T45 W (F3B3681C)	Diesel		12882	332	450	07.07-12.12	■	

## LISTA DE APLICACIONES - BUYERS GUIDE

AT260T45		Diesel		12882	332	451	11.04-12.12	■	■
AT260T45P		Diesel		12882	332	451	11.04-12.12	■	■
AT380T45		Diesel		12882	332	451	11.04-12.12	■	■
AT380T45P		Diesel		12882	332	451	01.07-12.12	■	■
AD 260T48, AT 260T48 (F3BE0681E)		Diesel		12882	353	480	06.05-10.07	■	
AD 380T48, AD 380T48 (F3BE0681E)		Diesel		12882	353	480	06.05-10.07	■	
AD 410T48, AT 410T48 (F3BE0681E)		Diesel		12882	353	480	02.05-10.07	■	
AT380T48		Diesel		12882	353	480	11.04-10.07	■	■
AD260T50		Diesel		12882	368	500	11.04-12.12	■	
AD 260T50, AD 380T50, AT 260T50, AT 380T50 (F3BE3681B)		Diesel		12882	368	500	03.06-	■	
AD 260T50, AD 380T50, AT 260T50, AT 380T50 (F3HFE611/500)		Diesel		12882	368	500	03.06-	■	
AD260T50P		Diesel		12882	368	500	01.07-12.12	■	
AD380T50		Diesel		12882	368	500	11.04-12.12	■	
AD 380T50, AT 380T50 (F3BE3681B)		Diesel		12882	368	500	03.07-	■	
AD 380T50, AT 380T50 (F3HFE611/500)		Diesel		12882	368	500	03.07-	■	
AD380T50P		Diesel		12882	368	500	01.07-12.12	■	
AD 410T50, AT 410T50 (F3BE3681B)		Diesel		12882	368	500	03.06-12.12	■	
AD 410T50, AT 410T50 (F3BE0681B)		Diesel		12882	368	500	06.06-	■	
AD 410T50, AT 410T50 (F3HFE611/500)		Diesel		12882	368	500	06.06-	■	
AT260T50		Diesel		12882	368	500	11.04-12.12	■	■
AT260T50P		Diesel		12882	368	500	11.04-12.12	■	■
AT380T50		Diesel		12882	368	500	11.04-12.12	■	■
AT380T50P		Diesel		12882	368	500	01.07-12.12	■	■
<b>Trakker 09.04-</b>									<b>Truck Tractor</b>
AD 400T35 T, AT 400T35 T (F2BE0681A)		Diesel		7790	259	352	06.05-10.07	■	
AD 400T36 T, AT 400T36 T (F2BE3681A)		Diesel		7790	265	360	10.04-12.12	■	
AD 440T38 T, AT 440T38 T (F3BE0681G)		Diesel		12880	280	380	04.05-12.12	■	
AD 440T44 T, AT 440T44T (F3BE0681C)		Diesel		12880	324	440	06.05-10.07	■	
AD 720T45 T, AT 720T45 T (F3BE3681C)		Diesel		12880	331	450	03.06-	■	
AD 720T45 T, AT 720T45 T (F3HFE611/450)		Diesel		12880	331	450	03.06-	■	
AT 410T54 T (F3BE0681A)		Diesel		12880	397	540	01.05-12.12	■	
AD400T38		Diesel		12882	279	379	11.04-12.12	■	■
AD720T38		Diesel		12882	279	379	01.07-12.12	■	■
AT400T38		Diesel		12882	279	379	01.07-12.12	■	■
AT720T38		Diesel		12882	279	379	01.07-12.12	■	■
AD 400T38 T, AT 400T38 T (F3BE0681G)		Diesel		12882	280	380	06.05-12.12	■	
AD 400T38 WT, AT 400T38 WT (F3BE0681G)		Diesel		12882	280	380	06.05-10.07	■	
AD440T38P		Diesel		12882	280	381	11.04-10.07	■	
AD 720T38 T, AT 720T38 T (F3BE0681G)		Diesel		12882	280	380	06.05-12.12	■	
AD 720T38 WT, AT 720T38 WT (F3BE0681G)		Diesel		12882	280	380	06.05-12.12	■	
AT400T38		Diesel		12882	280	381	11.04-12.12	■	■
AT440T38		Diesel		12882	280	381	11.04-10.07	■	■
AD400T41		Diesel		12882	302	411	11.04-12.12	■	
AD400T41P		Diesel		12882	302	411	11.04-12.12	■	
AD 400T41 T, AT 400T41 T (F3BE3681D)		Diesel		12882	302	410	03.06-	■	
AD 400T41 T, AT 400T41 T (F3HFE611/410)		Diesel		12882	302	410	03.06-	■	
AD 400T41 WT, AT 400T41 WT (F3BE3681D)		Diesel		12882	302	410	03.06-12.12	■	■
AD440T41		Diesel		12882	302	411	01.07-12.12	■	
AD440T41P		Diesel		12882	302	411	11.04-12.12	■	
AD 440T41 T, AT 440T41 T (F3BE3681D)		Diesel		12882	302	410	03.06-	■	

## LISTA DE APLICACIONES - BUYERS GUIDE

AD720T41		Diesel		12882	302	411	11.04-12.12	■	
AD720T41P		Diesel		12882	302	411	01.07-12.12	■	
AD 720T41 T, AT 720T41 T (F3BE3681D)		Diesel		12882	302	410	03.06-	■	
AD 720T41 T, AT 720T41 T (F3HFE611/410)		Diesel		12882	302	410	03.06-	■	
AD720T41W		Diesel		12882	302	411	11.04-12.12	■	
AT400T41		Diesel		12882	302	411	01.07-12.12	■	■
AT400T41P		Diesel		12882	302	411	11.04-12.12	■	■
AT440T41		Diesel		12882	302	411	11.04-12.12	■	■
AT440T41P		Diesel		12882	302	411	01.07-12.12	■	■
AT720T41		Diesel		12882	302	411	01.07-12.12	■	■
AD720T42		Diesel		12882	309	420	11.04-12.12	■	■
AT 400T42 TH (F3BE0681V)		Diesel		12882	309	420	06.05-12.12	■	
AT 720T42 T (F3BE0681V)		Diesel		12882	309	420	04.05-12.12	■	
AT 720T42 WT (F3BE0681V)		Diesel		12882	309	420	06.05-12.12	■	
AD 400T44 T, AT 400T44 T (F3BE0681C)		Diesel		12882	324	440	06.05-10.07	■	
AD 400T44 WT, AT 400T44 WT (F3BE0681C)		Diesel		12882	324	440	06.05-12.12	■	
AD440T44		Diesel		12882	324	441	11.04-10.07	■	
AD440T44P		Diesel		12882	324	441	11.04-10.07	■	■
AD 720T44 T, AT 720T44 T (F3BE0681C)		Diesel		12882	324	440	06.05-10.07	■	
AD 720T44 WT, AT 720T44 WT (F3BE0681C)		Diesel		12882	324	440	06.05-10.07	■	
AT400T44		Diesel		12882	324	441	11.04-10.07	■	■
AT400T44P		Diesel		12882	324	441	11.04-10.07	■	
AT720T44		Diesel		12882	324	441	11.04-12.12	■	■
AD 400T45 T, AT 400T45 T (F3BE3681C)		Diesel		12882	331	450	03.06-	■	
AD 400T45 T, AT 400T45 T (F3HFE611/450)		Diesel		12882	331	450	03.06-	■	
AD 440T45 T, AT 440T45 T (F3BE3681C)		Diesel		12882	331	450	03.06-	■	
AD 440T45 T, AT 440T45 T (F3HFE611/450)		Diesel		12882	331	450	03.06-	■	
AD400T45		Diesel		12882	332	451	11.04-12.12	■	
AD400T45P		Diesel		12882	332	451	11.04-12.12	■	
AD 400T45 WT, AT 400T45 WT (F3BE3681C)		Diesel		12882	332	450	03.06-12.12	■	■
AD440T45		Diesel		12882	332	451	11.04-12.12	■	■
AD440T45P		Diesel		12882	332	451	11.04-12.12	■	■
AD720T45		Diesel		12882	332	451	11.04-12.12	■	
AD720T45P		Diesel		12882	332	451	01.07-12.12	■	
AT400T45		Diesel		12882	332	451	11.04-12.12	■	■
AT400T45P		Diesel		12882	332	451	11.04-12.12	■	■
AT440T45		Diesel		12882	332	451	11.04-12.12	■	■
AT440T45P		Diesel		12882	332	451	11.04-12.12	■	■
AT720T45		Diesel		12882	332	451	11.04-12.12	■	■
AT720T45P		Diesel		12882	332	451	01.07-12.12	■	■
AD 720T48 T, AT 720T48 T (F3BE0681E)		Diesel		12882	353	480	06.05-10.07	■	
AT720T48		Diesel		12882	353	480	11.04-10.07	■	■
AD400T50		Diesel		12882	368	500	11.04-12.12	■	
AD400T50P		Diesel		12882	368	500	11.04-12.12	■	
AD 400T50 T, AT 400T50 T (F3BE3681B)		Diesel		12882	368	500	03.06-	■	
AD 400T50 T, AT 400T50 T (F3HFE611/500)		Diesel		12882	368	500	03.06-	■	
AD440T50		Diesel		12882	368	500	11.04-10.07	■	
AD440T50P		Diesel		12882	368	500	11.04-12.12	■	
AD 440T50 T, AT 440T50 T (F3BE3681B)		Diesel		12882	368	500	03.06-	■	
AD 440T50 T, AT 440T50 T (F3HFE611/500)		Diesel		12882	368	500	03.06-	■	
AD720T50		Diesel		12882	368	500	11.04-12.12	■	

# LISTA DE APLICACIONES - BUYERS GUIDE

AD720T50P		Diesel		12882	368	500	01.07-12.12	■	
AD 720T50 T, AT 720T50 T, AT 720T50 TP, AT 720T50 HT (F3BE3681B)		Diesel		12882	368	500	03.06-	■	
AD 720T50 T, AT 720T50 T, AT 720T50 TP, AT 720T50 HT (F3HFE611/500)		Diesel		12882	368	500	03.06-	■	
AT400T50		Diesel		12882	368	500	01.07-12.12	■	■
AT400T50P		Diesel		12882	368	500	11.04-12.12	■	■
AT440T50P		Diesel		12882	368	500	11.04-12.12	■	■
AT720T50		Diesel		12882	368	500	11.04-12.12	■	■
AT720T50P		Diesel		12882	368	500	01.07-12.12	■	■
<b>Trakker II 09.12-</b>				<b>Concrete Mixer</b>					
AD340T36		Diesel		7790	265	360	09.12-	■	
AD260T33		Diesel		8710	243	330	09.12-	■	■
AD260T36		Diesel		8710	265	360	09.12-	■	■
AD340T36		Diesel		8710	265	360	09.12-	■	
AD340T36P		Diesel		8710	265	360	09.12-	■	
AD340T41		Diesel		12882	302	411	09.12-	■	
AD340T41P		Diesel		12882	302	411	09.12-	■	
AD380T41		Diesel		12882	302	411	09.12-	■	
AD410T41		Diesel		12882	302	411	09.12-	■	
AD340T45		Diesel		12882	331	450	09.12-	■	
AD380T45		Diesel		12882	331	450	09.12-	■	
AD410T45		Diesel		12882	331	450	09.12-	■	
AD340T45		Diesel		12882	332	451	09.12-	■	
AD380T45		Diesel		12882	332	451	09.12-	■	
<b>Trakker II 09.12-</b>				<b>Platform/Chassis</b>					
AD190T31		Diesel		7790	228	310	09.12-	■	
AD260T36		Diesel		7790	265	360	09.12-	■	■
AD340T36		Diesel		7790	265	360	09.12-	■	
AD380T36		Diesel		7790	265	360	09.12-	■	
AT260T36		Diesel		7790	265	360	09.12-	■	■
AD190T33		Diesel		8709	243	330	09.12-	■	
AD260T33		Diesel		8709	243	330	09.12-	■	
AT190T33		Diesel		8709	243	330	09.12-	■	
AT260T33		Diesel		8709	243	330	09.12-	■	
AD190T36		Diesel		8709	265	360	09.12-	■	
AD260T36		Diesel		8709	265	360	09.12-	■	
AD340T36		Diesel		8709	265	360	09.12-	■	
AT190T36		Diesel		8709	265	360	09.12-	■	
AT260T36		Diesel		8709	265	360	09.12-	■	
AT340T36		Diesel		8709	265	360	09.12-	■	
AD190T31		Diesel		8710	228	310	09.12-	■	
AT190T31		Diesel		8710	228	310	09.12-	■	■
AD380T36		Diesel		8710	265	360	09.12-	■	
AD410T36		Diesel		8710	265	360	09.12-	■	
AT410T36		Diesel		8710	265	360	09.12-	■	■
AD190T41		Diesel		12882	302	411	09.12-	■	
AD260T41		Diesel		12882	302	411	09.12-	■	
AD260T41P		Diesel		12882	302	411	09.12-	■	
AD260T41W		Diesel		12882	302	411	09.12-	■	
AD340T41		Diesel		12882	302	411	09.12-	■	
AD340T41P		Diesel		12882	302	411	09.12-	■	

# LISTA DE APLICACIONES - BUYERS GUIDE

AD380T41		Diesel		12882	302	411	09.12-	■
AD380T41P		Diesel		12882	302	411	09.12-	■
AD380T41W		Diesel		12882	302	411	09.12-	■
AD410T41		Diesel		12882	302	411	09.12-	■
AD410T41P		Diesel		12882	302	411	09.12-	■
AT190T41		Diesel		12882	302	411	09.12-	■
AT260T41		Diesel		12882	302	411	09.12-	■
AT260T41P		Diesel		12882	302	411	09.12-	■
AT340T41		Diesel		12882	302	411	09.12-	■
AT340T41P		Diesel		12882	302	411	09.12-	■
AT380T41		Diesel		12882	302	411	09.12-	■
AT380T41P		Diesel		12882	302	411	09.12-	■
AT410T41		Diesel		12882	302	411	09.12-	■
AD260T45		Diesel		12882	331	450	09.12-	■
AD260T45P		Diesel		12882	331	450	09.12-	■
AD260T45W		Diesel		12882	331	450	09.12-	■
AD340T45		Diesel		12882	331	450	09.12-	■
AD340T45P		Diesel		12882	331	450	09.12-	■
AD380T45		Diesel		12882	331	450	09.12-	■
AD380T45P		Diesel		12882	331	450	09.12-	■
AD380T45W		Diesel		12882	331	450	09.12-	■
AD410T45		Diesel		12882	331	450	09.12-	■
AD410T45P		Diesel		12882	331	450	09.12-	■
AT260T45		Diesel		12882	331	450	09.12-	■
AT260T45P		Diesel		12882	331	450	09.12-	■ ■
AT340T45		Diesel		12882	331	450	09.12-	■
AT340T45P		Diesel		12882	331	450	09.12-	■
AT380T45		Diesel		12882	331	450	09.12-	■
AT380T45P		Diesel		12882	331	450	09.12-	■
AT380T45W		Diesel		12882	331	450	09.12-	■
AT410T45		Diesel		12882	331	450	09.12-	■
AT410T45P		Diesel		12882	331	450	09.12-	■ ■
AD190T45		Diesel		12882	332	451	09.12-	■
AD190T45W		Diesel		12882	332	451	09.12-	■
AD190T45WP		Diesel		12882	332	451	09.12-	■
AD260T45		Diesel		12882	332	451	09.12-	■
AD260T45P		Diesel		12882	332	451	09.12-	■
AD260T45W		Diesel		12882	332	451	09.12-	■
AD340T45		Diesel		12882	332	451	09.12-	■
AD340T45P		Diesel		12882	332	451	09.12-	■
AD380T45		Diesel		12882	332	451	09.12-	■
AD380T45P		Diesel		12882	332	451	09.12-	■
AD380T45W		Diesel		12882	332	451	09.12-	■
AD410T45		Diesel		12882	332	451	09.12-	■
AD410T45P		Diesel		12882	332	451	09.12-	■
AT190T45W		Diesel		12882	332	451	09.12-	■
AT260T45		Diesel		12882	332	451	09.12-	■ ■
AT260T45P		Diesel		12882	332	451	09.12-	■ ■
AT340T45P		Diesel		12882	332	451	09.12-	■
AT380T45		Diesel		12882	332	451	09.12-	■ ■
AT380T45P		Diesel		12882	332	451	09.12-	■ ■

# LISTA DE APLICACIONES - BUYERS GUIDE

AT380T45W		Diesel		12882	332	451	09.12-	■	
AT410T45		Diesel		12882	332	451	09.12-	■	■
AT410T45P		Diesel		12882	332	451	09.12-	■	■
AD260T50		Diesel		12882	368	500	09.12-	■	
AD260T50P		Diesel		12882	368	500	09.12-	■	
AD340T50		Diesel		12882	368	500	09.12-	■	
AD340T50P		Diesel		12882	368	500	09.12-	■	
AD380T50		Diesel		12882	368	500	09.12-	■	
AD380T50P		Diesel		12882	368	500	09.12-	■	
AD410T50		Diesel		12882	368	500	09.12-	■	
AD410T50P		Diesel		12882	368	500	09.12-	■	
AT260T50		Diesel		12882	368	500	09.12-	■	
AT260T50P		Diesel		12882	368	500	09.12-	■	
AT340T50		Diesel		12882	368	500	09.12-	■	■
AT340T50P		Diesel		12882	368	500	09.12-	■	■
AT380T50		Diesel		12882	368	500	09.12-	■	
AT380T50P		Diesel		12882	368	500	09.12-	■	
AT410T50		Diesel		12882	368	500	09.12-	■	■
AT410T50P		Diesel		12882	368	500	09.12-	■	■
<b>Trakker II 09.12-</b>				<b>Truck Tractor</b>					
AD400T36		Diesel		7790	265	360	09.12-	■	
AD400T36		Diesel		8709	265	360	09.12-	■	
AT400T36		Diesel		8709	265	360	09.12-	■	
AD400T41		Diesel		12882	302	411	09.12-	■	
AD400T41P		Diesel		12882	302	411	09.12-	■	
AD440T41		Diesel		12882	302	411	09.12-	■	
AD440T41P		Diesel		12882	302	411	09.12-	■	
AD720T41		Diesel		12882	302	411	09.12-	■	
AD720T41P		Diesel		12882	302	411	09.12-	■	■
AT400T41		Diesel		12882	302	411	09.12-	■	
AT400T41P		Diesel		12882	302	411	09.12-	■	
AT440T41		Diesel		12882	302	411	09.12-	■	
AT440T41P		Diesel		12882	302	411	09.12-	■	■
AT720T41		Diesel		12882	302	411	09.12-	■	
AT720T41P		Diesel		12882	302	411	09.12-	■	■
AD400T45		Diesel		12882	331	450	09.12-	■	
AD400T45P		Diesel		12882	331	450	09.12-	■	
AD440T45		Diesel		12882	331	450	09.12-	■	
AD440T45P		Diesel		12882	331	450	09.12-	■	■
AD720T45		Diesel		12882	331	450	09.12-	■	
AD720T45P		Diesel		12882	331	450	09.12-	■	■
AT400T45		Diesel		12882	331	450	09.12-	■	
AT400T45P		Diesel		12882	331	450	09.12-	■	
AT440T45		Diesel		12882	331	450	09.12-	■	
AT440T45P		Diesel		12882	331	450	09.12-	■	■
AT720T45		Diesel		12882	331	450	09.12-	■	
AT720T45P		Diesel		12882	331	450	09.12-	■	■
AD400T45		Diesel		12882	332	451	09.12-	■	
AD400T45P		Diesel		12882	332	451	09.12-	■	
AD440T45		Diesel		12882	332	451	09.12-	■	■
AD440T45P		Diesel		12882	332	451	09.12-	■	■

## LISTA DE APLICACIONES - BUYERS GUIDE

AD720T45		Diesel		12882	332	451	09.12-	■	■
AD720T45P		Diesel		12882	332	451	09.12-	■	■
AT400T45		Diesel		12882	332	451	09.12-	■	■
AT400T45P		Diesel		12882	332	451	09.12-	■	■
AT440T45		Diesel		12882	332	451	09.12-	■	■
AT440T45P		Diesel		12882	332	451	09.12-	■	■
AT720T45		Diesel		12882	332	451	09.12-	■	■
AT720T45P		Diesel		12882	332	451	09.12-	■	■
AD400T50		Diesel		12882	368	500	09.12-	■	
AD400T50P		Diesel		12882	368	500	09.12-	■	
AD440T50		Diesel		12882	368	500	09.12-	■	
AD440T50P		Diesel		12882	368	500	09.12-	■	
AD720T50		Diesel		12882	368	500	09.12-	■	
AD720T50P		Diesel		12882	368	500	09.12-	■	■
AT400T50		Diesel		12882	368	500	09.12-	■	
AT400T50P		Diesel		12882	368	500	09.12-	■	■
AT440T50		Diesel		12882	368	500	09.12-	■	
AT440T50P		Diesel		12882	368	500	09.12-	■	■
AT720T50		Diesel		12882	368	500	09.12-	■	
AT720T50P		Diesel		12882	368	500	09.12-	■	■
<b>X-WAY 07.19-</b>				<b>Concrete Mixer</b>					
AD300X36B		Diesel		8709	265	360	07.19-	■	■
AD300X40B		Diesel		8709	294	400	07.19-	■	■
AD360X40B		Diesel		8709	294	400	07.19-	■	■
AD360X40BP		Diesel		8709	294	400	07.19-	■	■
AD360X42B		Diesel		11118	309	420	07.19-	■	■
AD300X46B		Diesel		11118	338	460	07.19-	■	■
AD350X46BP		Diesel		11118	338	460	07.19-	■	■
AD360X46B		Diesel		11118	338	460	07.19-	■	■
AD360X46BP		Diesel		11118	338	460	07.19-	■	■
AD360X48B		Diesel		11118	353	480	07.19-	■	■
<b>X-WAY 07.19-</b>									
AD360X40B MY24		Diesel		8709	294	400	11.23-	■	
AD360X46B MY24		Diesel		12882	338	460	11.23-	■	
AD360X50BP MY24		Diesel		12882	368	500	11.23-	■	
<b>X-WAY 07.19-</b>				<b>Platform/Chassis</b>					
AD200X33		Diesel		8709	243	330	07.19-	■	■
AD200X33P		Diesel		8709	243	330	07.19-	■	■
AD280X33P		Diesel		8709	243	330	07.19-	■	■
AD280X33P		Diesel		8709	243	330	07.19-	■	■
AD300X33		Diesel		8709	243	330	07.19-	■	■
AT280X33P		Diesel		8709	243	330	07.19-	■	■
AD200X34		Diesel		8709	251	340	07.19-	■	■
AD200X34P		Diesel		8709	251	340	07.19-	■	■
AD280X34P		Diesel		8709	251	340	07.19-	■	■
AD280X34P		Diesel		8709	251	340	07.19-	■	■
AD200X36		Diesel		8709	265	360	07.19-	■	■
AD200X36P		Diesel		8709	265	360	07.19-	■	■
AD280X36P		Diesel		8709	265	360	07.19-	■	■
AD280X36P		Diesel		8709	265	360	07.19-	■	■

# LISTA DE APLICACIONES - BUYERS GUIDE

AD300X36	Diesel	8709	265	360	07.19-	■	■
AD300X36P	Diesel	8709	265	360	07.19-	■	■
AD350X36P	Diesel	8709	265	360	07.19-	■	■
AD350X36P MY24	Diesel	8709	265	360	11.23-	■	
AD360X36P MY24	Diesel	8709	265	360	11.23-	■	
AT200X36P	Diesel	8709	265	360	07.19-	■	■
AT280X36P	Diesel	8709	265	360	07.19-	■	■
AT300X36	Diesel	8709	265	360	07.19-	■	■
AT300X36P	Diesel	8709	265	360	07.19-	■	■
AD200X40	Diesel	8709	294	400	07.19-	■	■
AD200X40P	Diesel	8709	294	400	07.19-	■	■
AD280X40P	Diesel	8709	294	400	07.19-	■	■
AD280X40P	Diesel	8709	294	400	07.19-	■	■
AD300X40	Diesel	8709	294	400	07.19-	■	■
AD300X40P	Diesel	8709	294	400	07.19-	■	■
AD350X40P	Diesel	8709	294	400	07.19-	■	■
AD350X40P	Diesel	8709	294	400	07.19-	■	
AD350X40P MY24	Diesel	8709	294	400	11.23-	■	
AD360X40	Diesel	8709	294	400	07.19-	■	■
AD360X40P	Diesel	8709	294	400	07.19-	■	■
AD360X40P MY24	Diesel	8709	294	400	11.23-	■	
AT200X40P	Diesel	8709	294	400	07.19-	■	■
AT350X40P	Diesel	8709	294	400	07.19-	■	■
AD200X42	Diesel	11118	309	420	07.19-	■	■
AD200X42P	Diesel	11118	309	420	07.19-	■	■
AD280X42P	Diesel	11118	309	420	07.19-	■	■
AD280X42P	Diesel	11118	309	420	07.19-	■	■
AD300X42	Diesel	11118	309	420	07.19-	■	■
AD300X42P	Diesel	11118	309	420	07.19-	■	■
AD350X42P	Diesel	11118	309	420	07.19-	■	■
AD350X42P	Diesel	11118	309	420	07.19-	■	■
AD360X42	Diesel	11118	309	420	07.19-	■	■
AD360X42P	Diesel	11118	309	420	07.19-	■	■
AS280X42P	Diesel	11118	309	420	07.19-	■	■
AT200X42P	Diesel	11118	309	420	07.19-	■	■
AT280X42P	Diesel	11118	309	420	07.19-	■	■
AT300X42P	Diesel	11118	309	420	07.19-	■	■
AT350X42P	Diesel	11118	309	420	07.19-	■	■
AD200X46	Diesel	11118	338	460	07.19-	■	■
AD200X46P	Diesel	11118	338	460	07.19-	■	■
AD280X46P	Diesel	11118	338	460	07.19-	■	■
AD280X46P	Diesel	11118	338	460	07.19-	■	■
AD300X46	Diesel	11118	338	460	07.19-	■	■
AD300X46P	Diesel	11118	338	460	07.19-	■	■
AD350X46P	Diesel	11118	338	460	07.19-	■	■
AD350X46P	Diesel	11118	338	460	07.19-	■	■
AD360X46	Diesel	11118	338	460	07.19-	■	■
AD360X46P	Diesel	11118	338	460	07.19-	■	■
AS280X46P	Diesel	11118	338	460	07.19-	■	■
AT280X46P	Diesel	11118	338	460	07.19-	■	■
AT300X46	Diesel	11118	338	460	07.19-	■	■

## LISTA DE APLICACIONES - BUYERS GUIDE

AT300X46P		Diesel		11118	338	460	07.19-	■	■
AT350X46P		Diesel		11118	338	460	07.19-	■	■
AT350X46P		Diesel		11118	338	460	07.19-	■	■
AT360X46P		Diesel		11118	338	460	07.19-	■	■
AD200X48		Diesel		11118	353	480	07.19-	■	■
AD200X48P		Diesel		11118	353	480	07.19-	■	■
AD280X48P		Diesel		11118	353	480	07.19-	■	■
AD280X48P		Diesel		11118	353	480	07.19-	■	■
AD300X48		Diesel		11118	353	480	07.19-	■	■
AD300X48P		Diesel		11118	353	480	07.19-	■	■
AD350X48P		Diesel		11118	353	480	07.19-	■	■
AD350X48P		Diesel		11118	353	480	07.19-	■	■
AD360X48		Diesel		11118	353	480	07.19-	■	■
AD360X48P		Diesel		11118	353	480	07.19-	■	■
AT200X48		Diesel		11118	353	480	07.19-	■	■
AT200X48P		Diesel		11118	353	480	07.19-	■	■
AT280X48P		Diesel		11118	353	480	07.19-	■	■
AT300X48		Diesel		11118	353	480	07.19-	■	■
AT300X48P		Diesel		11118	353	480	07.19-	■	■
AT350X48P		Diesel		11118	353	480	07.19-	■	■
AT350X48P		Diesel		11118	353	480	07.19-	■	■
AT360X48		Diesel		11118	353	480	07.19-	■	■
AT360X48P		Diesel		11118	353	480	07.19-	■	■
AD350X46P MY24		Diesel		12882	338	460	11.23-	■	
AD360X46 MY24		Diesel		12882	338	460	11.23-	■	
AD360X46P MY24		Diesel		12882	338	460	11.23-	■	
AS280X49P		Diesel		12882	357	490	07.19-	■	■
AD350X50P MY24		Diesel		12882	368	500	11.23-	■	
AD360X50 MY24		Diesel		12882	368	500	11.23-	■	
AD360X50P MY24		Diesel		12882	368	500	11.23-	■	
AS350X50P MY24		Diesel		12882	368	500	11.23-	■	
AS360X50P MY24		Diesel		12882	368	500	11.23-	■	
AT350X50P MY24		Diesel		12882	368	500	11.23-	■	
AS300X51		Diesel		12882	375	510	07.19-	■	■
AS300X51P		Diesel		12882	375	510	07.19-	■	■
AS350X51P		Diesel		12882	375	510	07.19-	■	■
AS350X51P		Diesel		12882	375	510	07.19-	■	■
AS360X51		Diesel		12882	375	510	07.19-	■	■
AS360X51P		Diesel		12882	375	510	07.19-	■	■
AS280X53P		Diesel		12882	387	530	07.19-	■	■
AS300X53P		Diesel		12882	387	530	07.19-	■	■
AS350X53P		Diesel		12882	387	530	07.19-	■	■
AS350X53P		Diesel		12882	387	530	07.19-	■	■
AS360X53		Diesel		12882	387	530	07.19-	■	■
AS360X53P		Diesel		12882	387	526	07.19-	■	
AD350X54P MY24		Diesel		12882	397	540	11.23-	■	
AD360X54 MY24		Diesel		12882	397	540	11.23-	■	
AS280X57P		Diesel		12882	420	570	07.19-	■	■
AS350X57P		Diesel		12882	420	570	07.19-	■	■
AS350X57P		Diesel		12882	420	570	07.19-	■	■
AS350X58P MY24		Diesel		12882	426	579	11.23-	■	

# LISTA DE APLICACIONES - BUYERS GUIDE

AS350X58P MY24		Diesel		12882	426	579	11.23-	■	
AS360X58P MY24		Diesel		12882	426	579	11.23-	■	
<b>X-WAY 07.19-</b>								<b>Truck Tractor</b>	
AD440X42T		Diesel		11118	309	420	07.19-	■	■
AD440X42T		Diesel		11118	309	420	07.19-	■	■
AD440X42TP		Diesel		11118	309	420	07.19-	■	■
AD440X42TP		Diesel		11118	309	420	07.19-	■	■
AT440X42TP		Diesel		11118	309	420	07.19-	■	■
AT440X42TP		Diesel		11118	309	420	07.19-	■	■
AD440X46T		Diesel		11118	338	460	07.19-	■	■
AD440X46TP		Diesel		11118	338	460	07.19-	■	■
AD440X46TP		Diesel		11118	338	460	07.19-	■	■
AT440X46TP		Diesel		11118	338	460	07.19-	■	■
AD440X48T		Diesel		11118	353	480	07.19-	■	■
AD440X48TP		Diesel		11118	353	480	07.19-	■	■
AD440X48TP		Diesel		11118	353	480	07.19-	■	■
AT440X48T		Diesel		11118	353	480	07.19-	■	■
AT440X48TP		Diesel		11118	353	480	07.19-	■	■
AT440X48TP		Diesel		11118	353	480	07.19-	■	■
AS440X49TP		Diesel		12882	357	490	07.19-	■	■
AS440X51T		Diesel		12882	375	510	07.19-	■	■
AS440X53T		Diesel		12882	387	530	07.19-	■	■
AS440X53TP		Diesel		12882	387	530	07.19-	■	■
AS440X53TP		Diesel		12882	387	530	07.19-	■	■
AS440X57T		Diesel		12882	420	570	07.19-	■	■
<b>X-WAY 07.19-</b>								<b>Truck Tractor</b>	
AS440X46TP CNG		Gasolina		12882	338	460	07.19-	■	■
AS440X46TP CNG+LNG		Gasolina		12882	338	460	07.19-	■	■
AS440X46TP LNG		Gasolina		12882	338	460	07.19-	■	■
<b>Zeta 01.79-12.92</b>								<b>Bus</b>	
A 60-9 (8040.05.200)		Diesel		3908	65	88	09.88-12.92	■	
A 60-9 (8040.05.203)		Diesel		3908	65	88	09.88-12.92	■	
A 70-12 (8340.05.200)		Diesel		5401	84	114	01.83-01.85	■	
A 70-14 (8060.05.246)		Diesel		5861	101	137	05.88-12.92	■	
A 70-14 (8060.05.285)		Diesel		5861	101	137	05.88-12.92	■	
<b>Zeta 01.79-12.92</b>								<b>Dump Truck</b>	
79-13 (8060.04.060)		Diesel		5500	96	131	11.79-12.83	■	
79-13 (8060.04.660)		Diesel		5500	96	131	11.79-12.83	■	
<b>Zeta 01.79-12.92</b>								<b>Estate Van</b>	
79-13 (8060.04.060)		Diesel		5500	96	131	11.79-12.83	■	
79-13 (8060.04.660)		Diesel		5500	96	131	11.79-12.83	■	
<b>Zeta 01.79-12.92</b>								<b>Platform/Chassis</b>	
79-13 (8060.04.060)		Diesel		5500	96	131	11.79-12.83	■	
79-13 (8060.04.660)		Diesel		5500	96	131	11.79-12.83	■	
<b>LECIÑENA</b>									
<b>Eje/Axle</b>								<b>Trailer Axle</b>	
Llanta 22.5" SB 7000							01.53-	■	
<b>LECITRAILER</b>									

# LISTA DE APLICACIONES - BUYERS GUIDE

Eje/Axle					Trailer Axle				
Llanta 22.5" SB 7000							01.53-		■
<b>MAN</b>									
<b>FOCL</b>									
25.320		Diesel		10518	235	320	05.06-	■	■
25.350		Diesel		10518	265	360	05.06-10.09	■	■
25.360		Diesel		10518	265	360	05.06-	■	■
25.400		Diesel		10518	294	400	05.06-	■	■
25.430		Diesel		10518	316	430	05.06-10.09	■	■
25.440		Diesel		10518	321	436	05.07-	■	■
25.440		Diesel		10518	324	441	05.06-	■	■
<b>HOCL</b>									
12.260		Diesel		6871	191	260	03.09-12.14	■	■
19.260		Diesel		6871	213	290	03.09-12.14	■	■
18.310		Diesel		10518	228	310	03.09-12.14	■	■
18.320		Diesel		10518	235	320	03.09-	■	■
18.350		Diesel		10518	257	349	03.09-12.14	■	■
<b>LION S INTERCITY 07.15-</b>									
<b>Bus</b>									
Lions Intercity		Diesel		6871	213	290	07.15-	■	■
Lions Intercity		Diesel		9037	206	280	10.19-	■	■
Lions Intercity		Diesel		9037	243	330	10.19-	■	■
Lions Intercity		Diesel		9037	265	360	10.19-	■	■
<b>LION'S CITY 03.18-</b>									
<b>Bus</b>									
LIONS CITY EFFICIENTHYBRID		Bicombu stible		9514	206	280	04.18-	■	■
LIONS CITY EFFICIENTHYBRID		Bicombu stible		9514	235	320	04.18-	■	■
LIONS CITY EFFICIENTHYBRID		Bicombu stible		9514	235	320	04.18-	■	■
<b>LION'S CITY 05.04-</b>									
<b>Bus</b>									
Lions City		Diesel		6871	162	220	05.04-10.06	■	■
Lions City		Diesel		6871	176	239	05.04-10.09	■	■
Lions City		Diesel		6871	191	260	05.07-06.14	■	■
Lions City		Diesel		10518	199	271	01.06-06.12	■	■
Lions City		Diesel		10518	199	271	07.12-12.14	■	■
Lions City		Diesel		10518	199	271	01.13-12.14	■	■
Lions City		Diesel		10518	199	271	02.12-12.14	■	■
Lions City		Diesel		10518	199	271	01.06-05.11	■	■
Lions City		Diesel		10518	199	271	06.11-12.14	■	■
Lions City		Diesel		10518	206	280	05.07-	■	■
Lions City		Diesel		10518	206	280	07.12-	■	■
Lions City		Diesel		10518	206	280	01.13-12.14	■	■
Lions City		Diesel		10518	206	280	02.12-	■	■
Lions City		Diesel		10518	206	280	05.07-	■	■
Lions City		Diesel		10518	206	280	06.11-	■	■
Lions City		Diesel		10518	228	310	01.06-06.12	■	■
Lions City		Diesel		10518	228	310	07.12-12.14	■	■
Lions City		Diesel		10518	228	310	01.13-12.14	■	■
Lions City		Diesel		10518	228	310	01.06-05.08	■	■
Lions City		Diesel		10518	228	310	02.12-12.14	■	■
Lions City		Diesel		10518	228	310	01.06-05.11	■	■

## LISTA DE APLICACIONES - BUYERS GUIDE

Lions City		Diesel		10518	228	310	01.06-10.09	■	■
Lions City		Diesel		10518	228	310	06.11-12.14	■	■
Lions City		Diesel		10518	235	320	05.07-	■	■
Lions City		Diesel		10518	235	320	07.12-12.14	■	■
Lions City		Diesel		10518	235	320	01.13-	■	■
Lions City		Diesel		10518	235	320	05.07-05.08	■	■
Lions City		Diesel		10518	235	320	02.12-12.14	■	■
Lions City		Diesel		10518	235	320	05.07-	■	■
Lions City		Diesel		10518	235	320	05.07-01.14	■	■
Lions City		Diesel		10518	235	320	06.11-	■	■
Lions City		Diesel		10518	257	349	01.06-06.12	■	■
Lions City		Diesel		10518	257	349	07.12-12.14	■	■
Lions City		Diesel		10518	257	349	01.13-12.14	■	■
Lions City		Diesel		10518	257	349	01.06-05.08	■	■
Lions City		Diesel		10518	257	349	02.12-12.14	■	■
Lions City		Diesel		10518	257	349	01.06-05.11	■	■
Lions City		Diesel		10518	257	349	01.06-10.09	■	■
Lions City		Diesel		10518	257	349	01.06-10.09	■	■
Lions City		Diesel		10518	257	349	06.11-12.14	■	■
Lions City		Diesel		10518	265	360	05.07-	■	■
Lions City		Diesel		10518	265	360	07.12-	■	■
Lions City		Diesel		10518	265	360	01.13-	■	■
Lions City		Diesel		10518	265	360	05.07-05.08	■	■
Lions City		Diesel		10518	265	360	02.12-	■	■
Lions City		Diesel		10518	265	360	05.07-	■	■
Lions City		Diesel		10518	265	360	05.07-01.14	■	■
Lions City		Diesel		10518	265	360	05.07-01.14	■	■
Lions City		Diesel		10518	265	360	06.11-	■	■
Lions City		Diesel		11967	191	260	05.04-10.06	■	■
Lions City		Diesel		11967	228	310	05.04-10.09	■	■
Lions City		Diesel		11967	265	360	05.04-10.09	■	■
<b>LION'S CITY 05.04-</b>								<b>Bus</b>	
Lions City CNG		Gasolina		11967	170	231	05.07-12.14	■	■
Lions City CNG		Gasolina		11967	180	245	05.07-12.14	■	■
Lions City CNG		Gasolina		11967	228	310	05.04-10.06	■	■
Lions City CNG		Gasolina		12816	200	272	08.12-	■	■
Lions City LPG		Gasolina		12816	200	272	01.05-10.06	■	■
Lions City CNG		Gasolina		12816	228	310	07.12-12.14	■	■
Lions City CNG		Gasolina		12816	228	310	01.13-12.14	■	■
Lions City CNG		Gasolina		12816	228	310	05.07-05.08	■	■
Lions City CNG		Gasolina		12816	228	310	02.12-12.14	■	■
Lions City CNG		Gasolina		12816	228	310	05.07-	■	■
<b>LION'S CITY 03.18-</b>								<b>Bus</b>	
Lions City Electric		Mixto		0	240	326	06.20-	■	■
Lions City Electric		Mixto		0	240	326	06.20-	■	■
<b>LION'S COACH 09.95-</b>								<b>Bus</b>	
C 360		Diesel		10518	265	360	08.05-12.14	■	■
C 400		Diesel		10518	294	400	05.07-	■	■
C430		Diesel		10518	316	430	08.05-10.09	■	■
C440		Diesel		10518	324	441	01.06-	■	■

# LISTA DE APLICACIONES - BUYERS GUIDE

C480		Diesel		10518	353	480	08.12-	■	■
C 320		Diesel		12419	235	320	05.07-12.14	■	■
C 420		Diesel		12419	309	420	10.16-	■	■
C430		Diesel		12419	316	430	08.19-	■	■
C440		Diesel		12419	324	441	05.07-12.14	■	■
C460		Diesel		12419	338	460	10.16-	■	■
C460		Diesel		12419	338	460	10.16-	■	■
C 470		Diesel		12419	346	470	08.19-	■	■
C 470		Diesel		12419	346	470	08.19-	■	■
C480		Diesel		12419	353	480	03.06-10.09	■	■
C500		Diesel		12419	368	500	10.16-	■	■
C 510		Diesel		12419	375	510	08.19-	■	■
<b>LION'S REGIO 01.04-</b>								<b>Bus</b>	
310		Diesel		10518	228	310	01.06-10.09	■	■
320, C 320 (D 2066 LUH 51)		Diesel		10518	235	320	01.15-	■	■
L320 (D 2066 LUH 51)		Diesel		10518	235	320	01.15-	■	■
350		Diesel		10518	257	349	01.06-10.09	■	■
360, C 360 (D 2066 LUH 52)		Diesel		10518	265	360	01.15-	■	■
L360 (D 2066 LUH 52)		Diesel		10518	265	360	01.15-	■	■
400, C 400 (D 2066 LUH 53)		Diesel		10518	294	400	01.15-	■	■
L 400 (D 2066 LUH 53)		Diesel		10518	294	400	01.15-	■	■
310		Diesel		11967	228	310	06.03-10.09	■	■
360		Diesel		11967	265	360	06.03-10.09	■	■
<b>NL 09.88-</b>								<b>Bus</b>	
313		Diesel		11967	228	310	05.99-12.04	■	■
363		Diesel		11967	265	360	05.99-12.04	■	■
<b>NL 09.88-</b>								<b>Bus</b>	
313 CNG		Gasolina		11967	228	310	05.99-12.04	■	■
<b>TGA 03.00-</b>								<b>Concrete Mixer</b>	
26.310, 26.320 (D 2066 LF 04)		Diesel		10518	228	310	06.05-	■	■
26.310, 26.320 (D 2066 LF 14)		Diesel		10518	228	310	06.05-	■	■
26.310, 26.320 (D 2066 LF 35)		Diesel		10518	228	310	06.05-	■	■
26.310, 26.320 (D 2066 LF 39)		Diesel		10518	228	310	06.05-	■	■
26.310, 26.320 (D 2066 LF 04)		Diesel		10518	228	310	06.05-	■	■
26.310, 26.320 (D 2066 LF 35)		Diesel		10518	228	310	06.05-	■	■
26.310, 26.320 (D 2066 LF 39)		Diesel		10518	228	310	06.05-	■	■
35.310, 35.320 (D 2066 LF 04)		Diesel		10518	228	310	02.04-	■	■
35.310, 35.320 (D 2066 LF 35)		Diesel		10518	228	310	02.04-	■	■
35.310, 35.320 (D 2066 LF 39)		Diesel		10518	228	310	02.04-	■	■
37.310, 37.320 (D 2066 LF 04)		Diesel		10518	228	310	12.04-	■	■
37.310, 37.320 (D 2066 LF 35)		Diesel		10518	228	310	12.04-	■	■
37.310, 37.320 (D 2066 LF 39)		Diesel		10518	228	310	12.04-	■	■
26.350, 26.360 (D 2066 LF 03)		Diesel		10518	257	350	02.04-	■	■
26.350, 26.360 (D 2066 LF 13)		Diesel		10518	257	350	02.04-	■	■
26.350, 26.360 (D 2066 LF 33)		Diesel		10518	257	350	02.04-	■	■
26.350, 26.360 (D 2066 LF 38)		Diesel		10518	257	350	02.04-	■	■
26.350, 26.360 (D 2066 LF 03)		Diesel		10518	257	350	05.04-	■	■
26.350, 26.360 (D 2066 LF 13)		Diesel		10518	257	350	05.04-	■	■
26.350, 26.360 (D 2066 LF 33)		Diesel		10518	257	350	05.04-	■	■
26.350, 26.360 (D 2066 LF 38)		Diesel		10518	257	350	05.04-	■	■

# LISTA DE APLICACIONES - BUYERS GUIDE

32.350, 32.360 (D 2066 LF 03)	Diesel	10518	257	350	02.04-	■	■
32.350, 32.360 (D 2066 LF 13)	Diesel	10518	257	350	02.04-	■	■
32.350, 32.360 (D 2066 LF 33)	Diesel	10518	257	350	02.04-	■	■
32.350, 32.360 (D 2066 LF 38)	Diesel	10518	257	350	02.04-	■	■
33.350 (D 2066 LF 03)	Diesel	10518	257	350	09.07-	■	■
33.350	Diesel	10518	257	349	09.04-09.08	■	
35.350 (D 2066 LF 03)	Diesel	10518	257	350	07.06-	■	■
35.350 (D 2066 LF 13)	Diesel	10518	257	350	07.06-	■	■
35.350, 35.360 (D 2066 LF 03)	Diesel	10518	257	350	02.04-	■	■
35.350, 35.360 (D 2066 LF 13)	Diesel	10518	257	350	02.04-	■	■
35.350, 35.360 (D 2066 LF 33)	Diesel	10518	257	350	02.04-	■	■
35.350, 35.360 (D 2066 LF 38)	Diesel	10518	257	350	02.04-	■	■
37.350, 37.360 (D 2066 LF 03)	Diesel	10518	257	350	12.04-	■	■
37.350, 37.360 (D 2066 LF 13)	Diesel	10518	257	350	12.04-	■	■
37.350, 37.360 (D 2066 LF 33)	Diesel	10518	257	350	12.04-	■	■
37.350, 37.360 (D 2066 LF 38)	Diesel	10518	257	350	12.04-	■	■
41.350 (D 2066 LF 03)	Diesel	10518	257	350	09.07-	■	■
41.350, 41.360 (D 2066 LF 03)	Diesel	10518	257	350	12.04-	■	■
41.350, 41.360 (D 2066 LF 07)	Diesel	10518	257	350	12.04-	■	■
41.350, 41.360 (D 2066 LF 13)	Diesel	10518	257	350	12.04-	■	■
41.350, 41.360 (D 2066 LF 33)	Diesel	10518	257	350	12.04-	■	■
41.350, 41.360 (D 2066 LF 38)	Diesel	10518	257	350	12.04-	■	■
33.350	Diesel	10518	265	360	09.04-09.08	■	
33.360 (D 2066 LF 07)	Diesel	10518	265	360	09.07-	■	■
33.360	Diesel	10518	265	360	09.04-09.08	■	
35.360 (D 2066 LF 38)	Diesel	10518	265	360	07.06-	■	■
41.360 (D 2066 LF 07)	Diesel	10518	265	360	09.07-	■	■
26.390 (D 2066 LF 02)	Diesel	10518	287	390	06.05-	■	■
26.390 (D 2066 LF 12)	Diesel	10518	287	390	06.05-	■	■
26.390, 26.400 (D 2066 LF 02)	Diesel	10518	287	390	05.04-	■	■
26.390, 26.400 (D 2066 LF 12)	Diesel	10518	287	390	05.04-	■	■
26.390, 26.400 (D 2066 LF 32)	Diesel	10518	287	390	05.04-	■	■
26.390, 26.400 (D 2066 LF 37)	Diesel	10518	287	390	05.04-	■	■
32.390, 32.400 (D 2066 LF 02)	Diesel	10518	287	390	05.04-	■	■
32.390, 32.400 (D 2066 LF 12)	Diesel	10518	287	390	05.04-	■	■
32.390, 32.400 (D 2066 LF 32)	Diesel	10518	287	390	05.04-	■	■
32.390, 32.400 (D 2066 LF 37)	Diesel	10518	287	390	05.04-	■	■
33.390	Diesel	10518	287	390	09.04-09.08	■	
33.390, 33.400 (D 2066 LF 02)	Diesel	10518	287	390	09.07-	■	■
33.390, 33.400 (D 2066 LF 06)	Diesel	10518	287	390	09.07-	■	■
35.390 (D 2066 LF 02)	Diesel	10518	287	390	07.06-	■	■
35.390 (D 2066 LF 12)	Diesel	10518	287	390	07.06-	■	■
35.390, 35.400 (D 2066 LF 02)	Diesel	10518	287	390	02.04-	■	■
35.390, 35.400 (D 2066 LF 12)	Diesel	10518	287	390	02.04-	■	■
35.390, 35.400 (D 2066 LF 32)	Diesel	10518	287	390	02.04-	■	■
35.390, 35.400 (D 2066 LF 37)	Diesel	10518	287	390	02.04-	■	■
37.390, 37.400 (D 2066 LF 02)	Diesel	10518	287	390	12.04-	■	■
37.390, 37.400 (D 2066 LF 12)	Diesel	10518	287	390	12.04-	■	■
37.390, 37.400 (D 2066 LF 32)	Diesel	10518	287	390	12.04-	■	■
37.390, 37.400 (D 2066 LF 37)	Diesel	10518	287	390	12.04-	■	■
41.390 (D 2066 LF 02)	Diesel	10518	287	390	09.07-	■	■

# LISTA DE APLICACIONES - BUYERS GUIDE

41.390, 41.400 (D 2066 LF 02)		Diesel		10518	287	390	12.04-	■	■
41.390, 41.400 (D 2066 LF 06)		Diesel		10518	287	390	12.04-	■	■
41.390, 41.400 (D 2066 LF 12)		Diesel		10518	287	390	12.04-	■	■
41.390, 41.400 (D 2066 LF 32)		Diesel		10518	287	390	12.04-	■	■
41.390, 41.400 (D 2066 LF 37)		Diesel		10518	287	390	12.04-	■	■
26.400 (D 2066 LF 37)		Diesel		10518	294	400	04.06-	■	■
33.400		Diesel		10518	294	400	09.04-09.08	■	
35.400 (D 2066 LF 37)		Diesel		10518	294	400	07.06-	■	■
41.400 (D 2066 LF 06)		Diesel		10518	294	400	09.07-	■	■
26.430, 26.440 (D 2066 LF 01)		Diesel		10518	316	430	05.04-	■	■
26.430, 26.440 (D 2066 LF 11)		Diesel		10518	316	430	05.04-	■	■
26.430, 26.440 (D 2066 LF 31)		Diesel		10518	316	430	05.04-	■	■
26.430, 26.440 (D 2066 LF 36)		Diesel		10518	316	430	05.04-	■	■
26.430, 26.440 (D 2066 LF 01)		Diesel		10518	316	430	06.05-	■	■
26.430, 26.440 (D 2066 LF 11)		Diesel		10518	316	430	06.05-	■	■
26.430, 26.440 (D 2066 LF 31)		Diesel		10518	316	430	06.05-	■	■
26.430, 26.440 (D 2066 LF 36)		Diesel		10518	316	430	06.05-	■	■
32.430, 32.440 (D 2066 LF 01)		Diesel		10518	316	430	05.04-	■	■
32.430, 32.440 (D 2066 LF 11)		Diesel		10518	316	430	05.04-	■	■
32.430, 32.440 (D 2066 LF 31)		Diesel		10518	316	430	05.04-	■	■
32.430, 32.440 (D 2066 LF 36)		Diesel		10518	316	430	05.04-	■	■
33.430 (D 2066 LF 01)		Diesel		10518	316	430	09.07-	■	
33.430		Diesel		10518	316	430	09.04-09.08	■	
35.430 (D 2066 LF 01)		Diesel		10518	316	430	07.06-	■	■
35.430 (D 2066 LF 11)		Diesel		10518	316	430	07.06-	■	■
35.430, 35.440 (D 2066 LF 01)		Diesel		10518	316	430	02.04-	■	■
35.430, 35.440 (D 2066 LF 11)		Diesel		10518	316	430	02.04-	■	■
35.430, 35.440 (D 2066 LF 31)		Diesel		10518	316	430	02.04-	■	■
35.430, 35.440 (D 2066 LF 36)		Diesel		10518	316	430	02.04-	■	■
37.430, 37.440 (D 2066 LF 01)		Diesel		10518	316	430	12.04-	■	■
37.430, 37.440 (D 2066 LF 11)		Diesel		10518	316	430	12.04-	■	■
37.430, 37.440 (D 2066 LF 31)		Diesel		10518	316	430	12.04-	■	■
37.430, 37.440 (D 2066 LF 36)		Diesel		10518	316	430	12.04-	■	■
41.430 (D 2066 LF 01)		Diesel		10518	316	430	09.07-	■	■
41.430, 41.440 (D 2066 LF 01)		Diesel		10518	316	430	12.04-	■	■
41.430, 41.440 (D 2066 LF 11)		Diesel		10518	316	430	12.04-	■	■
41.430, 41.440 (D 2066 LF 31)		Diesel		10518	316	430	12.04-	■	■
41.430, 41.440 (D 2066 LF 36)		Diesel		10518	316	430	12.04-	■	■
26.440		Diesel		10518	321	436	09.04-09.08	■	
33.440		Diesel		10518	321	436	09.04-09.08	■	
33.440		Diesel		10518	324	441	09.04-09.08	■	
35.440 (D 2066 LF 36)		Diesel		10518	324	440	07.06-	■	■
26.310 (D 2866 LF26)		Diesel		11967	228	310	10.00-	■	■
32.310 (D 2866 LF26)		Diesel		11967	228	310	01.02-	■	■
35.310 (D 2866 LF26)		Diesel		11967	228	310	11.03-	■	■
37.310 (D 2866 LF26)		Diesel		11967	228	310	12.04-	■	■
26.360 (D 2866 LF27)		Diesel		11967	265	360	01.01-	■	■
32.360 (D 2866 LF27)		Diesel		11967	265	360	01.02-	■	■
33.360 (D 2866 LF27)		Diesel		11967	265	360	01.01-	■	■
35.360 (D 2866 LF27)		Diesel		11967	265	360	11.03-	■	■
37.360 (D 2866 LF27)		Diesel		11967	265	360	12.04-	■	■

# LISTA DE APLICACIONES - BUYERS GUIDE

41.360 (D 2866 LF27)		Diesel		11967	265	360	12.04-	■	■
26.410 (D 2866 LF28)		Diesel		11967	301	410	01.01-	■	■
32.410 (D 2866 LF28)		Diesel		11967	301	410	01.02-	■	■
33.410 (D 2866 LF28)		Diesel		11967	301	410	10.00-	■	■
35.410 (D 2866 LF28)		Diesel		11967	301	410	11.03-	■	■
37.410 (D 2866 LF28)		Diesel		11967	301	410	12.04-	■	■
41.410 (D 2866 LF28)		Diesel		11967	301	410	12.04-	■	■
33.440 (D 2676 LF 04)		Diesel		12419	324	440	09.07-	■	■
41.440 (D 2676 LF 04)		Diesel		12419	324	440	12.04-	■	■
41.440 (D 2676 LF 04)		Diesel		12419	324	440	09.07-	■	■
26.480 (D 2676 LF 01)		Diesel		12419	353	480	02.06-	■	■
26.480 (D 2676 LF 05)		Diesel		12419	353	480	02.06-	■	■
26.480 (D 2676 LF 01)		Diesel		12419	353	480	02.06-	■	■
26.480 (D 2676 LF 05)		Diesel		12419	353	480	02.06-	■	■
32.480 (D 2676 LF 01)		Diesel		12419	353	480	02.06-	■	■
32.480 (D 2676 LF 05)		Diesel		12419	353	480	02.06-	■	■
33.480 (D 2676 LF 02)		Diesel		12419	353	480	09.07-	■	■
33.480 (D 2676 LF 03)		Diesel		12419	353	480	09.07-	■	■
33.480		Diesel		12419	353	480	03.06-09.08	■	■
35.480 (D 2676 LF 01)		Diesel		12419	353	480	02.04-	■	■
35.480 (D 2676 LF 05)		Diesel		12419	353	480	02.04-	■	■
35.480 (D 2676 LF 05)		Diesel		12419	353	480	07.06-	■	■
37.480 (D 2676 LF 01)		Diesel		12419	353	480	02.06-	■	■
37.480 (D 2676 LF 05)		Diesel		12419	353	480	02.06-	■	■
41.480 (D 2676 LF 01)		Diesel		12419	353	480	02.06-	■	■
41.480 (D 2676 LF 03)		Diesel		12419	353	480	02.06-	■	■
41.480 (D 2676 LF 05)		Diesel		12419	353	480	02.06-	■	■
41.480 (D 2676 LF 02)		Diesel		12419	353	480	09.07-	■	■
41.480 (D 2676 LF 03)		Diesel		12419	353	480	09.07-	■	■
26.460 (D 2876 LF 04)		Diesel		12816	338	460	01.01-	■	■
26.460 (D 2876 LF 07)		Diesel		12816	338	460	01.01-	■	■
32.460 (D 2876 LF 04)		Diesel		12816	338	460	01.02-	■	■
33.460 (D 2876 LF 04)		Diesel		12816	338	460	09.02-	■	■
35.460 (D 2876 LF 04)		Diesel		12816	338	460	11.03-	■	■
37.460 (D 2876 LF 04)		Diesel		12816	338	460	12.04-	■	■
41.460 (D 2876 LF 04)		Diesel		12816	338	460	12.04-	■	■
26.480 (D 2876 LF 12)		Diesel		12816	353	480	09.02-	■	■
26.480 (D 2876 LF 25)		Diesel		12816	353	480	09.02-	■	■
32.480 (D 2876 LF 12)		Diesel		12816	353	480	09.02-	■	■
33.480 (D 2876 LF 12)		Diesel		12816	353	480	09.02-	■	■
35.480 (D 2876 LF 12)		Diesel		12816	353	480	11.03-	■	■
37.480 (D 2876 LF 12)		Diesel		12816	353	480	12.04-	■	■
41.480 (D 2876 LF 12)		Diesel		12816	353	480	12.04-	■	■
35.530 (D 2876 LF 13)		Diesel		12816	390	530	04.04-	■	■
37.530 (D 2876 LF 13)		Diesel		12816	390	530	12.04-	■	■
41.530 (D 2876 LF 13)		Diesel		12816	390	530	12.04-	■	■
<b>TGA 03.00-</b>								<b>Dump Truck</b>	
18.310, 18.320 (D 2066 LF 04)		Diesel		10518	228	310	05.04-	■	■
18.310, 18.320 (D 2066 LF 14)		Diesel		10518	228	310	05.04-	■	■
18.310, 18.320 (D 2066 LF 35)		Diesel		10518	228	310	05.04-	■	■
18.310, 18.320 (D 2066 LF 39)		Diesel		10518	228	310	05.04-	■	■

# LISTA DE APLICACIONES - BUYERS GUIDE

18.310, 18.320 (D 2066 LF 04)		Diesel		10518	228	310	05.04-	■	■
18.310, 18.320 (D 2066 LF 14)		Diesel		10518	228	310	05.04-	■	■
18.310, 18.320 (D 2066 LF 35)		Diesel		10518	228	310	05.04-	■	■
18.310, 18.320 (D 2066 LF 39)		Diesel		10518	228	310	05.04-	■	■
26.310 (D 2066 LF 04)		Diesel		10518	228	310	01.04-	■	■
26.310, 26.320 (D 2066 LF 04)		Diesel		10518	228	310	05.04-	■	■
26.310, 26.320 (D 2066 LF 14)		Diesel		10518	228	310	05.04-	■	■
26.310, 26.320 (D 2066 LF 35)		Diesel		10518	228	310	05.04-	■	■
26.310, 26.320 (D 2066 LF 39)		Diesel		10518	228	310	05.04-	■	■
26.310, 26.320 (D 2066 LF 04)		Diesel		10518	228	310	06.05-	■	■
26.310, 26.320 (D 2066 LF 35)		Diesel		10518	228	310	06.05-	■	■
26.310, 26.320 (D 2066 LF 39)		Diesel		10518	228	310	06.05-	■	■
35.310, 35.320 (D 2066 LF 04)		Diesel		10518	228	310	02.04-	■	■
35.310, 35.320 (D 2066 LF 35)		Diesel		10518	228	310	02.04-	■	■
35.310, 35.320 (D 2066 LF 39)		Diesel		10518	228	310	02.04-	■	■
37.310, 37.320 (D 2066 LF 04)		Diesel		10518	228	310	12.04-	■	■
37.310, 37.320 (D 2066 LF 35)		Diesel		10518	228	310	12.04-	■	■
37.310, 37.320 (D 2066 LF 39)		Diesel		10518	228	310	12.04-	■	■
26.320 (D 2066 LF 39)		Diesel		10518	235	320	04.06-	■	■
18.350, 18.360 (D 2066 LF 03)		Diesel		10518	257	350	05.04-	■	■
18.350, 18.360 (D 2066 LF 13)		Diesel		10518	257	350	05.04-	■	■
18.350, 18.360 (D 2066 LF 33)		Diesel		10518	257	350	05.04-	■	■
18.350, 18.360 (D 2066 LF 38)		Diesel		10518	257	350	05.04-	■	■
18.350, 18.360 (D 2066 LF 03)		Diesel		10518	257	350	05.04-	■	■
18.350, 18.360 (D 2066 LF 13)		Diesel		10518	257	350	05.04-	■	■
18.350, 18.360 (D 2066 LF 33)		Diesel		10518	257	350	05.04-	■	■
18.350, 18.360 (D 2066 LF 38)		Diesel		10518	257	350	05.04-	■	■
26.350 (D 2066 LF 03)		Diesel		10518	257	350	02.04-	■	■
26.350 (D 2066 LF 13)		Diesel		10518	257	350	02.04-	■	■
26.350, 26.360 (D 2066 LF 03)		Diesel		10518	257	350	05.04-	■	■
26.350, 26.360 (D 2066 LF 13)		Diesel		10518	257	350	05.04-	■	■
26.350, 26.360 (D 2066 LF 33)		Diesel		10518	257	350	05.04-	■	■
26.350, 26.360 (D 2066 LF 38)		Diesel		10518	257	350	05.04-	■	■
26.350, 26.360 (D 2066 LF 03)		Diesel		10518	257	350	05.04-	■	■
26.350, 26.360 (D 2066 LF 13)		Diesel		10518	257	350	05.04-	■	■
26.350, 26.360 (D 2066 LF 33)		Diesel		10518	257	350	05.04-	■	■
26.350, 26.360 (D 2066 LF 38)		Diesel		10518	257	350	05.04-	■	■
28.350 (D 2066 LF 03)		Diesel		10518	257	350	07.06-	■	■
28.350 (D 2066 LF 13)		Diesel		10518	257	350	07.06-	■	■
33.350, 33.360 (D 2066 LF 03)		Diesel		10518	257	350	05.04-	■	■
33.350, 33.360 (D 2066 LF 07)		Diesel		10518	257	350	05.04-	■	■
33.350, 33.360 (D 2066 LF 13)		Diesel		10518	257	350	05.04-	■	■
33.350, 33.360 (D 2066 LF 33)		Diesel		10518	257	350	05.04-	■	■
33.350, 33.360 (D 2066 LF 38)		Diesel		10518	257	350	05.04-	■	■
33.350, 33.360 (D 2066 LF 03)		Diesel		10518	257	350	06.05-	■	■
33.350, 33.360 (D 2066 LF 07)		Diesel		10518	257	350	06.05-	■	■
33.350, 33.360 (D 2066 LF 13)		Diesel		10518	257	350	06.05-	■	■
33.350, 33.360 (D 2066 LF 33)		Diesel		10518	257	350	06.05-	■	■
33.350, 33.360 (D 2066 LF 38)		Diesel		10518	257	350	06.05-	■	■
35.350 (D 2066 LF 03)		Diesel		10518	257	350	07.06-	■	■
35.350 (D 2066 LF 13)		Diesel		10518	257	350	07.06-	■	■

# LISTA DE APLICACIONES - BUYERS GUIDE

35.350, 35.360 (D 2066 LF 03)		Diesel		10518	257	350	02.04-	■	■
35.350, 35.360 (D 2066 LF 13)		Diesel		10518	257	350	02.04-	■	■
35.350, 35.360 (D 2066 LF 33)		Diesel		10518	257	350	02.04-	■	■
35.350, 35.360 (D 2066 LF 38)		Diesel		10518	257	350	02.04-	■	■
37.350, 37.360 (D 2066 LF 03)		Diesel		10518	257	350	12.04-	■	■
37.350, 37.360 (D 2066 LF 13)		Diesel		10518	257	350	12.04-	■	■
37.350, 37.360 (D 2066 LF 33)		Diesel		10518	257	350	12.04-	■	■
37.350, 37.360 (D 2066 LF 38)		Diesel		10518	257	350	12.04-	■	■
41.350, 41.360 (D 2066 LF 03)		Diesel		10518	257	350	12.04-	■	■
41.350, 41.360 (D 2066 LF 07)		Diesel		10518	257	350	12.04-	■	■
41.350, 41.360 (D 2066 LF 13)		Diesel		10518	257	350	12.04-	■	■
41.350, 41.360 (D 2066 LF 33)		Diesel		10518	257	350	12.04-	■	■
41.350, 41.360 (D 2066 LF 38)		Diesel		10518	257	350	12.04-	■	■
26.360 (D 2066 LF 38)		Diesel		10518	265	360	06.04-	■	■
28.360 (D 2066 LF 38)		Diesel		10518	265	360	07.06-	■	■
35.360 (D 2066 LF 38)		Diesel		10518	265	360	07.06-	■	■
18.390, 18.400 (D 2066 LF 02)		Diesel		10518	287	390	05.04-	■	■
18.390, 18.400 (D 2066 LF 12)		Diesel		10518	287	390	05.04-	■	■
18.390, 18.400 (D 2066 LF 32)		Diesel		10518	287	390	05.04-	■	■
18.390, 18.400 (D 2066 LF 37)		Diesel		10518	287	390	05.04-	■	■
18.390, 18.400 (D 2066 LF 02)		Diesel		10518	287	390	05.04-	■	■
18.390, 18.400 (D 2066 LF 12)		Diesel		10518	287	390	05.04-	■	■
18.390, 18.400 (D 2066 LF 32)		Diesel		10518	287	390	05.04-	■	■
18.390, 18.400 (D 2066 LF 37)		Diesel		10518	287	390	05.04-	■	■
26.390 (D 2066 LF 02)		Diesel		10518	287	390	02.04-	■	■
26.390 (D 2066 LF 12)		Diesel		10518	287	390	02.04-	■	■
26.390, 26.400 (D 2066 LF 02)		Diesel		10518	287	390	05.04-	■	■
26.390, 26.400 (D 2066 LF 12)		Diesel		10518	287	390	05.04-	■	■
26.390, 26.400 (D 2066 LF 32)		Diesel		10518	287	390	05.04-	■	■
26.390, 26.400 (D 2066 LF 37)		Diesel		10518	287	390	05.04-	■	■
26.390, 26.400 (D 2066 LF 02)		Diesel		10518	287	390	06.05-	■	■
26.390, 26.400 (D 2066 LF 12)		Diesel		10518	287	390	06.05-	■	■
26.390, 26.400 (D 2066 LF 32)		Diesel		10518	287	390	06.05-	■	■
26.390, 26.400 (D 2066 LF 37)		Diesel		10518	287	390	06.05-	■	■
28.390 (D 2066 LF 02)		Diesel		10518	287	390	07.06-	■	■
28.390 (D 2066 LF 12)		Diesel		10518	287	390	07.06-	■	■
33.390, 33.400 (D 2066 LF 02)		Diesel		10518	287	390	05.04-	■	■
33.390, 33.400 (D 2066 LF 06)		Diesel		10518	287	390	05.04-	■	■
33.390, 33.400 (D 2066 LF 12)		Diesel		10518	287	390	05.04-	■	■
33.390, 33.400 (D 2066 LF 32)		Diesel		10518	287	390	05.04-	■	■
33.390, 33.400 (D 2066 LF 37)		Diesel		10518	287	390	05.04-	■	■
33.390, 33.400 (D 2066 LF 02)		Diesel		10518	287	390	06.05-	■	■
33.390, 33.400 (D 2066 LF 06)		Diesel		10518	287	390	06.05-	■	■
33.390, 33.400 (D 2066 LF 12)		Diesel		10518	287	390	06.05-	■	■
33.390, 33.400 (D 2066 LF 32)		Diesel		10518	287	390	06.05-	■	■
33.390, 33.400 (D 2066 LF 37)		Diesel		10518	287	390	06.05-	■	■
35.390 (D 2066 LF 02)		Diesel		10518	287	390	02.04-	■	■
35.390 (D 2066 LF 12)		Diesel		10518	287	390	02.04-	■	■
35.390 (D 2066 LF 02)		Diesel		10518	287	390	07.06-	■	■
35.390 (D 2066 LF 12)		Diesel		10518	287	390	07.06-	■	■
35.390, 35.400 (D 2066 LF 02)		Diesel		10518	287	390	02.04-	■	■

# LISTA DE APLICACIONES - BUYERS GUIDE

35.390, 35.400 (D 2066 LF 12)		Diesel		10518	287	390	02.04-	■	■
35.390, 35.400 (D 2066 LF 32)		Diesel		10518	287	390	02.04-	■	■
35.390, 35.400 (D 2066 LF 37)		Diesel		10518	287	390	02.04-	■	■
37.390, 37.400 (D 2066 LF 02)		Diesel		10518	287	390	12.04-	■	■
37.390, 37.400 (D 2066 LF 12)		Diesel		10518	287	390	12.04-	■	■
37.390, 37.400 (D 2066 LF 32)		Diesel		10518	287	390	12.04-	■	■
37.390, 37.400 (D 2066 LF 37)		Diesel		10518	287	390	12.04-	■	■
40.390, 40.400 (D 2066 LF 02)		Diesel		10518	287	390	06.05-	■	■
40.390, 40.400 (D 2066 LF 06)		Diesel		10518	287	390	06.05-	■	■
40.390, 40.400 (D 2066 LF 02)		Diesel		10518	287	390	06.05-	■	■
40.390, 40.400 (D 2066 LF 06)		Diesel		10518	287	390	06.05-	■	■
40.390, 40.400 (D 2066 LF 12)		Diesel		10518	287	390	06.05-	■	■
40.390, 40.400 (D 2066 LF 37)		Diesel		10518	287	390	06.05-	■	■
41.390 (D 2066 LF 02)		Diesel		10518	287	390	12.04-	■	■
41.390, 41.400 (D 2066 LF 02)		Diesel		10518	287	390	12.04-	■	■
41.390, 41.400 (D 2066 LF 06)		Diesel		10518	287	390	12.04-	■	■
41.390, 41.400 (D 2066 LF 12)		Diesel		10518	287	390	12.04-	■	■
41.390, 41.400 (D 2066 LF 32)		Diesel		10518	287	390	12.04-	■	■
41.390, 41.400 (D 2066 LF 37)		Diesel		10518	287	390	12.04-	■	■
26.400 (D 2066 LF 37)		Diesel		10518	294	400	01.04-	■	■
28.400 (D 2066 LF 37)		Diesel		10518	294	400	07.06-	■	■
35.400 (D 2066 LF 37)		Diesel		10518	294	400	07.06-	■	■
35.400 (D 2066 LF 37)		Diesel		10518	294	400	02.04-	■	■
18.430, 18.440 (D 2066 LF 01)		Diesel		10518	316	430	05.04-	■	■
18.430, 18.440 (D 2066 LF 11)		Diesel		10518	316	430	05.04-	■	■
18.430, 18.440 (D 2066 LF 31)		Diesel		10518	316	430	05.04-	■	■
18.430, 18.440 (D 2066 LF 36)		Diesel		10518	316	430	05.04-	■	■
18.430, 18.440 (D 2066 LF 01)		Diesel		10518	316	430	05.04-	■	■
18.430, 18.440 (D 2066 LF 11)		Diesel		10518	316	430	05.04-	■	■
18.430, 18.440 (D 2066 LF 31)		Diesel		10518	316	430	05.04-	■	■
18.430, 18.440 (D 2066 LF 36)		Diesel		10518	316	430	05.04-	■	■
26.430 (D 2066 LF 01)		Diesel		10518	316	430	01.04-	■	■
26.430 (D 2066 LF 11)		Diesel		10518	316	430	01.04-	■	■
26.430, 26.440 (D 2066 LF 01)		Diesel		10518	316	430	05.04-	■	■
26.430, 26.440 (D 2066 LF 11)		Diesel		10518	316	430	05.04-	■	■
26.430, 26.440 (D 2066 LF 31)		Diesel		10518	316	430	05.04-	■	■
26.430, 26.440 (D 2066 LF 36)		Diesel		10518	316	430	05.04-	■	■
26.430, 26.440 (D 2066 LF 01)		Diesel		10518	316	430	06.05-	■	■
26.430, 26.440 (D 2066 LF 11)		Diesel		10518	316	430	06.05-	■	■
26.430, 26.440 (D 2066 LF 31)		Diesel		10518	316	430	06.05-	■	■
26.430, 26.440 (D 2066 LF 36)		Diesel		10518	316	430	06.05-	■	■
28.430 (D 2066 LF 01)		Diesel		10518	316	430	07.06-	■	■
28.430 (D 2066 LF 11)		Diesel		10518	316	430	07.06-	■	■
33.430, 33.440 (D 2066 LF 01)		Diesel		10518	316	430	05.04-	■	■
33.430, 33.440 (D 2066 LF 11)		Diesel		10518	316	430	05.04-	■	■
33.430, 33.440 (D 2066 LF 31)		Diesel		10518	316	430	05.04-	■	■
33.430, 33.440 (D 2066 LF 36)		Diesel		10518	316	430	05.04-	■	■
33.430, 33.440 (D 2066 LF 01)		Diesel		10518	316	430	06.05-	■	■
33.430, 33.440 (D 2066 LF 11)		Diesel		10518	316	430	06.05-	■	■
33.430, 33.440 (D 2066 LF 31)		Diesel		10518	316	430	06.05-	■	■
33.430, 33.440 (D 2066 LF 36)		Diesel		10518	316	430	06.05-	■	■

# LISTA DE APLICACIONES - BUYERS GUIDE

35.430 (D 2066 LF 01)	Diesel	10518	316	430	07.06-	■	■
35.430 (D 2066 LF 11)	Diesel	10518	316	430	07.06-	■	■
35.430 (D 2066 LF 01)	Diesel	10518	316	430	07.06-	■	■
35.430 (D 2066 LF 11)	Diesel	10518	316	430	07.06-	■	■
35.430, 35.440 (D 2066 LF 01)	Diesel	10518	316	430	02.04-	■	■
35.430, 35.440 (D 2066 LF 11)	Diesel	10518	316	430	02.04-	■	■
35.430, 35.440 (D 2066 LF 31)	Diesel	10518	316	430	02.04-	■	■
35.430, 35.440 (D 2066 LF 36)	Diesel	10518	316	430	02.04-	■	■
37.430, 37.440 (D 2066 LF 01)	Diesel	10518	316	430	12.04-	■	■
37.430, 37.440 (D 2066 LF 11)	Diesel	10518	316	430	12.04-	■	■
37.430, 37.440 (D 2066 LF 31)	Diesel	10518	316	430	12.04-	■	■
37.430, 37.440 (D 2066 LF 36)	Diesel	10518	316	430	12.04-	■	■
40.430 (D 2066 LF 01)	Diesel	10518	316	430	06.05-	■	■
40.430, 40.440 (D 2066 LF 01)	Diesel	10518	316	430	06.05-	■	■
40.430, 40.440 (D 2066 LF 11)	Diesel	10518	316	430	06.05-	■	■
40.430, 40.440 (D 2066 LF 36)	Diesel	10518	316	430	06.05-	■	■
41.430 (D 2066 LF 01)	Diesel	10518	316	430	12.04-	■	■
41.430 (D 2066 LF 11)	Diesel	10518	316	430	12.04-	■	■
41.430 (D 2066 LF 11)	Diesel	10518	316	430	07.06-	■	■
41.430, 41.440 (D 2066 LF 01)	Diesel	10518	316	430	12.04-	■	■
41.430, 41.440 (D 2066 LF 11)	Diesel	10518	316	430	12.04-	■	■
41.430, 41.440 (D 2066 LF 31)	Diesel	10518	316	430	12.04-	■	■
41.430, 41.440 (D 2066 LF 36)	Diesel	10518	316	430	12.04-	■	■
26.440	Diesel	10518	321	436	05.03-10.08	■	
33.440	Diesel	10518	321	436	05.03-03.11	■	
26.440 (D 2066 LF 36)	Diesel	10518	324	440	01.04-	■	■
28.440 (D 2066 LF 36)	Diesel	10518	324	440	01.04-10.08	■	■
35.440 (D 2066 LF 36)	Diesel	10518	324	440	07.06-	■	■
35.440	Diesel	10518	324	440	07.06-	■	
41.440 (D 2066 LF 36)	Diesel	10518	324	440	07.06-	■	■
41.440 (D 2066 LF 36)	Diesel	10518	324	440	07.06-	■	■
18.310 (D 2866 LF26)	Diesel	11967	228	310	09.02-	■	■
18.310, 18.320 (D 2866 LF26)	Diesel	11967	228	310	12.00-	■	■
18.310, 18.320 (D 2866 LF36)	Diesel	11967	228	310	12.00-	■	■
26.310 (D 2866 LF26)	Diesel	11967	228	310	09.02-	■	■
26.310 (D 2866 LF26)	Diesel	11967	228	310	02.02-	■	■
32.310 (D 2866 LF26)	Diesel	11967	228	310	01.02-	■	■
35.310 (D 2866 LF26)	Diesel	11967	228	310	06.03-	■	■
37.310 (D 2866 LF26)	Diesel	11967	228	310	12.04-	■	■
18.360 (D 2866 LF27)	Diesel	11967	265	360	12.00-	■	■
18.360 (D 2866 LF37)	Diesel	11967	265	360	12.00-	■	■
18.360 (D 2866 LF27)	Diesel	11967	265	360	09.02-	■	■
26.360 (D 2866 LF27)	Diesel	11967	265	360	09.02-	■	■
26.360 (D 2866 LF37)	Diesel	11967	265	360	09.02-	■	■
26.360 (D 2866 LF27)	Diesel	11967	265	360	02.02-	■	■
26.360 (D 2866 LF37)	Diesel	11967	265	360	02.02-	■	■
28.360 (D 2866 LF27)	Diesel	11967	265	360	07.06-	■	■
33.360 (D 2866 LF27)	Diesel	11967	265	360	01.01-	■	■
33.360 (D 2866 LF37)	Diesel	11967	265	360	01.01-	■	■
33.360 (D 2866 LF27)	Diesel	11967	265	360	09.02-	■	■
33.360 (D 2866 LF37)	Diesel	11967	265	360	09.02-	■	■

# LISTA DE APLICACIONES - BUYERS GUIDE

35.360 (D 2866 LF27)		Diesel		11967	265	360	10.03-	■	■
37.360 (D 2866 LF27)		Diesel		11967	265	360	12.04-	■	■
41.360 (D 2866 LF37)		Diesel		11967	265	360	09.03-	■	■
18.410, 18.420 (D 2866 LF28)		Diesel		11967	301	410	12.00-	■	■
18.410, 18.420 (D 2866 LF32)		Diesel		11967	301	410	12.00-	■	■
18.410, 18.420 (D 2866 LF28)		Diesel		11967	301	410	09.02-	■	■
26.410 (D 2866 LF28)		Diesel		11967	301	410	09.01-	■	■
26.410 (D 2866 LF32)		Diesel		11967	301	410	09.01-	■	■
26.410 (D 2866 LF28)		Diesel		11967	301	410	02.02-	■	■
28.410 (D 2866 LF28)		Diesel		11967	301	410	07.06-	■	■
32.410 (D 2866 LF28)		Diesel		11967	301	410	01.02-	■	■
33.410 (D 2866 LF28)		Diesel		11967	301	410	10.00-	■	■
33.410 (D 2866 LF32)		Diesel		11967	301	410	10.00-	■	■
33.410 (D 2866 LF28)		Diesel		11967	301	410	09.02-	■	■
33.410 (D 2866 LF32)		Diesel		11967	301	410	09.02-	■	■
35.410 (D 2866 LF28)		Diesel		11967	301	410	10.03-	■	■
35.410 (D 2866 LF28)		Diesel		11967	301	410	07.06-	■	■
35.410 (D 2866 LF28)		Diesel		11967	301	410	07.06-	■	■
37.410 (D 2866 LF28)		Diesel		11967	301	410	12.04-	■	■
40.410 (D 2866 LF28)		Diesel		11967	301	410	04.04-	■	■
40.410 (D 2866 LF32)		Diesel		11967	301	410	04.04-	■	■
40.410 (D 2866 LF28)		Diesel		11967	301	410	04.04-	■	■
40.410 (D 2866 LF32)		Diesel		11967	301	410	04.04-	■	■
41.410 (D 2866 LF28)		Diesel		11967	301	410	09.03-	■	■
41.410 (D 2866 LF32)		Diesel		11967	301	410	09.03-	■	■
41.410 (D 2866 LF28)		Diesel		11967	301	410	07.06-	■	■
41.410 (D 2866 LF28)		Diesel		11967	301	410	07.06-	■	■
33.440 (D 2676 LF 04)		Diesel		12419	324	440	06.05-	■	■
33.440 (D 2676 LF 04)		Diesel		12419	324	440	06.05-	■	■
40.440 (D 2676 LF 04)		Diesel		12419	324	440	06.05-	■	■
40.440 (D 2676 LF 04)		Diesel		12419	324	440	06.05-	■	■
41.440 (D 2676 LF 04)		Diesel		12419	324	440	12.04-	■	■
18.480 (D 2676 LF 01)		Diesel		12419	353	480	01.06-	■	■
18.480 (D 2676 LF 05)		Diesel		12419	353	480	01.06-	■	■
26.480 (D 2676 LF 01)		Diesel		12419	353	480	02.06-	■	■
26.480 (D 2676 LF 05)		Diesel		12419	353	480	02.06-	■	■
26.480 (D 2676 LF 01)		Diesel		12419	353	480	02.06-	■	■
26.480 (D 2676 LF 05)		Diesel		12419	353	480	02.06-	■	■
28.480 (D 2676 LF 05)		Diesel		12419	353	480	07.06-	■	■
33.480 (D 2676 LF 01)		Diesel		12419	353	480	01.06-	■	■
33.480 (D 2676 LF 02)		Diesel		12419	353	480	01.06-	■	■
33.480 (D 2676 LF 03)		Diesel		12419	353	480	01.06-	■	■
33.480 (D 2676 LF 05)		Diesel		12419	353	480	01.06-	■	■
33.480 (D 2676 LF 01)		Diesel		12419	353	480	02.06-	■	■
33.480 (D 2676 LF 02)		Diesel		12419	353	480	02.06-	■	■
33.480 (D 2676 LF 03)		Diesel		12419	353	480	02.06-	■	■
33.480 (D 2676 LF 05)		Diesel		12419	353	480	02.06-	■	■
35.480 (D 2676 LF 01)		Diesel		12419	353	480	02.04-	■	■
35.480 (D 2676 LF 05)		Diesel		12419	353	480	02.04-	■	■
35.480 (D 2676 LF 02)		Diesel		12419	353	480	07.06-	■	■
35.480 (D 2676 LF 05)		Diesel		12419	353	480	07.06-	■	■

# LISTA DE APLICACIONES - BUYERS GUIDE

35.480 (D 2676 LF 05)		Diesel		12419	353	480	07.06-	■	■
37.480 (D 2676 LF 01)		Diesel		12419	353	480	02.06-	■	■
37.480 (D 2676 LF 05)		Diesel		12419	353	480	02.06-	■	■
40.480 (D 2676 LF 02)		Diesel		12419	353	480	06.05-	■	■
40.480 (D 2676 LF 03)		Diesel		12419	353	480	06.05-	■	■
40.480 (D 2676 LF 02)		Diesel		12419	353	480	06.05-	■	■
40.480 (D 2676 LF 03)		Diesel		12419	353	480	06.05-	■	■
41.480 (D 2676 LF 01)		Diesel		12419	353	480	02.06-	■	■
41.480 (D 2676 LF 02)		Diesel		12419	353	480	02.06-	■	■
41.480 (D 2676 LF 03)		Diesel		12419	353	480	02.06-	■	■
41.480 (D 2676 LF 05)		Diesel		12419	353	480	02.06-	■	■
41.480 (D 2676 LF 02)		Diesel		12419	353	480	07.06-	■	■
41.480 (D 2676 LF 05)		Diesel		12419	353	480	07.06-	■	■
41.480 (D 2676 LF 03)		Diesel		12419	353	480	12.08-	■	■
41.480 (D 2676 LF 05)		Diesel		12419	353	480	07.06-	■	■
18.460 (D 2876 LF 04)		Diesel		12816	338	460	12.00-	■	■
18.460 (D 2876 LF 07)		Diesel		12816	338	460	12.00-	■	■
26.460 (D 2876 LF 04)		Diesel		12816	338	460	01.01-	■	■
26.460 (D 2876 LF 07)		Diesel		12816	338	460	01.01-	■	■
32.460 (D 2876 LF 04)		Diesel		12816	338	460	01.02-	■	■
33.460 (D 2876 LF 04)		Diesel		12816	338	460	09.02-	■	■
33.460 (D 2876 LF 07)		Diesel		12816	338	460	09.02-	■	■
33.460 (D 2876 LF 07)		Diesel		12816	338	460	09.02-	■	■
35.460 (D 2876 LF 04)		Diesel		12816	338	460	10.03-	■	■
37.460 (D 2876 LF 04)		Diesel		12816	338	460	12.04-	■	■
40.460 (D 2876 LF 07)		Diesel		12816	338	460	04.04-	■	■
40.460 (D 2876 LF 07)		Diesel		12816	338	460	04.04-	■	■
41.460 (D 2876 LF 07)		Diesel		12816	338	460	09.03-	■	■
18.480 (D 2876 LF 12)		Diesel		12816	353	480	09.02-	■	■
18.480 (D 2876 LF 12)		Diesel		12816	353	480	09.02-	■	■
26.480 (D 2876 LF 12)		Diesel		12816	353	480	09.02-	■	■
26.480 (D 2876 LF 12)		Diesel		12816	353	480	09.02-	■	■
28.480 (D 2876 LF 12)		Diesel		12816	353	480	07.06-	■	■
32.480 (D 2876 LF 12)		Diesel		12816	353	480	09.02-	■	■
33.480 (D 2876 LF 12)		Diesel		12816	353	480	09.02-	■	■
33.480 (D 2876 LF 25)		Diesel		12816	353	480	09.02-	■	■
33.480 (D 2876 LF 12)		Diesel		12816	353	480	09.02-	■	■
33.480 (D 2876 LF 25)		Diesel		12816	353	480	09.02-	■	■
35.480 (D 2876 LF 12)		Diesel		12816	353	480	10.03-	■	■
35.480 (D 2876 LF 12)		Diesel		12816	353	480	07.06-	■	■
35.480 (D 2876 LF 12)		Diesel		12816	353	480	07.06-	■	■
37.480 (D 2876 LF 12)		Diesel		12816	353	480	12.04-	■	■
40.480 (D 2876 LF 12)		Diesel		12816	353	480	04.04-	■	■
40.480 (D 2876 LF 25)		Diesel		12816	353	480	04.04-	■	■
40.480 (D 2876 LF 12)		Diesel		12816	353	480	04.04-	■	■
40.480 (D 2876 LF 25)		Diesel		12816	353	480	04.04-	■	■
41.480 (D 2876 LF 12)		Diesel		12816	353	480	06.05-	■	■
41.480 (D 2876 LF 25)		Diesel		12816	353	480	06.05-	■	■
41.480 (D 2876 LF 12)		Diesel		12816	353	480	07.06-	■	■
41.480 (D 2876 LF 12)		Diesel		12816	353	480	07.06-	■	■
41.480 (D 2876 LF 12)		Diesel		12816	353	480	07.06-	■	■

# LISTA DE APLICACIONES - BUYERS GUIDE

41.530 (D 2876 LF 12)		Diesel		12816	353	480	07.06-	■	■
18.530 (D 2876 LF 13)		Diesel		12816	390	530	04.04-	■	■
26.530 (D 2876 LF 13)		Diesel		12816	390	530	09.02-	■	■
26.530 (D 2876 LF 13)		Diesel		12816	390	530	09.02-	■	■
28.530 (D 2876 LF 13)		Diesel		12816	390	530	07.06-	■	■
33.530 (D 2876 LF 13)		Diesel		12816	390	530	09.02-	■	■
33.530 (D 2876 LF 13)		Diesel		12816	390	530	07.03-	■	■
35.530 (D 2876 LF 13)		Diesel		12816	390	530	04.04-	■	■
35.530 (D 2876 LF 13)		Diesel		12816	390	530	07.06-	■	■
35.530 (D 2876 LF 13)		Diesel		12816	390	530	07.06-	■	■
37.530 (D 2876 LF 13)		Diesel		12816	390	530	12.04-	■	■
41.530 (D 2876 LF 13)		Diesel		12816	390	530	07.06-	■	■
41.530 (D 2876 LF 13)		Diesel		12816	390	530	07.06-	■	■
41.530 (D 2876 LF 13)		Diesel		12816	390	530	12.04-	■	■
<b>TGA 03.00-</b>				<b>Municipal Vehicle</b>					
26.310, 26.320 (D 2066 LF 04)		Diesel		10518	228	310	06.05-	■	■
26.310, 26.320 (D 2066 LF 35)		Diesel		10518	228	310	06.05-	■	■
26.310, 26.320 (D 2066 LF 39)		Diesel		10518	228	310	06.05-	■	■
26.310, 26.320 (D 2066 LF 04)		Diesel		10518	228	310	02.04-	■	■
26.310, 26.320 (D 2066 LF 14)		Diesel		10518	228	310	02.04-	■	■
26.310, 26.320 (D 2066 LF 35)		Diesel		10518	228	310	02.04-	■	■
26.310, 26.320 (D 2066 LF 39)		Diesel		10518	228	310	02.04-	■	■
26.350, 26.360 (D 2066 LF 03)		Diesel		10518	257	350	06.05-	■	■
26.350, 26.360 (D 2066 LF 13)		Diesel		10518	257	350	06.05-	■	■
26.350, 26.360 (D 2066 LF 33)		Diesel		10518	257	350	06.05-	■	■
26.350, 26.360 (D 2066 LF 38)		Diesel		10518	257	350	06.05-	■	■
26.350, 26.360 (D 2066 LF 03)		Diesel		10518	257	350	01.04-	■	■
26.350, 26.360 (D 2066 LF 13)		Diesel		10518	257	350	01.04-	■	■
26.350, 26.360 (D 2066 LF 33)		Diesel		10518	257	350	01.04-	■	■
26.350, 26.360 (D 2066 LF 38)		Diesel		10518	257	350	01.04-	■	■
26.390, 26.400 (D 2066 LF 02)		Diesel		10518	287	390	06.05-	■	■
26.390, 26.400 (D 2066 LF 12)		Diesel		10518	287	390	06.05-	■	■
26.390, 26.400 (D 2066 LF 32)		Diesel		10518	287	390	06.05-	■	■
26.390, 26.400 (D 2066 LF 37)		Diesel		10518	287	390	06.05-	■	■
26.390, 26.400 (D 2066 LF 02)		Diesel		10518	287	390	02.04-	■	■
26.390, 26.400 (D 2066 LF 12)		Diesel		10518	287	390	02.04-	■	■
26.390, 26.400 (D 2066 LF 32)		Diesel		10518	287	390	02.04-	■	■
26.390, 26.400 (D 2066 LF 37)		Diesel		10518	287	390	02.04-	■	■
26.430 (D 2066 LF 01)		Diesel		10518	316	430	12.00-	■	■
26.430 (D 2066 LF 11)		Diesel		10518	316	430	12.00-	■	■
26.430, 26.440		Diesel		10518	316	430	06.05-	■	■
26.440 (D 2066 LF 36)		Diesel		10518	324	440	09.05-	■	■
26.310 (D 2866 LF26)		Diesel		11967	228	310	12.00-	■	■
26.310 (D 2866 LF36)		Diesel		11967	228	310	12.00-	■	■
26.360 (D 2866 LF27)		Diesel		11967	265	360	12.00-	■	■
26.360 (D 2866 LF37)		Diesel		11967	265	360	12.00-	■	■
26.410 (D 2866 LF28)		Diesel		11967	301	410	12.00-	■	■
26.410 (D 2866 LF32)		Diesel		11967	301	410	12.00-	■	■
26.480 (D 2676 LF 01)		Diesel		12419	353	480	02.06-	■	■
26.480 (D 2676 LF 05)		Diesel		12419	353	480	02.06-	■	■
26.480 (D 2676 LF 05)		Diesel		12419	353	480	01.06-	■	■

# LISTA DE APLICACIONES - BUYERS GUIDE

26.460 (D 2876 LF 04)		Diesel		12816	338	460	12.00-	■	■
26.460 (D 2876 LF 07)		Diesel		12816	338	460	12.00-	■	■
26.480 (D 2876 LF 12)		Diesel		12816	353	480	09.02-	■	■
<b>TGA 03.00-</b>							<b>Platform/Chassis</b>		
26.280 (D 0836 LF 41)		Diesel		6871	206	280	11.02-	■	■
26.330 (D 0836 LF 44)		Diesel		6871	240	326	11.02-	■	■
18.310, 18.320 (D 2066 LF 04)		Diesel		10518	228	310	05.04-	■	■
18.310, 18.320 (D 2066 LF 14)		Diesel		10518	228	310	05.04-	■	■
18.310, 18.320 (D 2066 LF 28)		Diesel		10518	228	310	05.04-	■	■
18.310, 18.320 (D 2066 LF 35)		Diesel		10518	228	310	05.04-	■	■
18.310, 18.320 (D 2066 LF 39)		Diesel		10518	228	310	05.04-	■	■
18.310, 18.320 (D 2066 LF 04)		Diesel		10518	228	310	05.04-	■	■
18.310, 18.320 (D 2066 LF 14)		Diesel		10518	228	310	05.04-	■	■
18.310, 18.320 (D 2066 LF 35)		Diesel		10518	228	310	05.04-	■	■
18.310, 18.320 (D 2066 LF 39)		Diesel		10518	228	310	05.04-	■	■
26.310 (D 2066 LF 04)		Diesel		10518	228	310	01.04-	■	■
26.310, 26.320 (D 2066 LF 04)		Diesel		10518	228	310	05.04-	■	■
26.310, 26.320 (D 2066 LF 14)		Diesel		10518	228	310	05.04-	■	■
26.310, 26.320 (D 2066 LF 28)		Diesel		10518	228	310	05.04-	■	■
26.310, 26.320 (D 2066 LF 35)		Diesel		10518	228	310	05.04-	■	■
26.310, 26.320 (D 2066 LF 39)		Diesel		10518	228	310	05.04-	■	■
26.310, 26.320 (D 2066 LF 04)		Diesel		10518	228	310	05.04-	■	■
26.310, 26.320 (D 2066 LF 14)		Diesel		10518	228	310	05.04-	■	■
26.310, 26.320 (D 2066 LF 35)		Diesel		10518	228	310	05.04-	■	■
26.310, 26.320 (D 2066 LF 39)		Diesel		10518	228	310	05.04-	■	■
26.310, 26.320 (D 2066 LF 04)		Diesel		10518	228	310	05.04-	■	■
26.310, 26.320 (D 2066 LF 14)		Diesel		10518	228	310	05.04-	■	■
26.310, 26.320 (D 2066 LF 35)		Diesel		10518	228	310	05.04-	■	■
26.310, 26.320 (D 2066 LF 39)		Diesel		10518	228	310	05.04-	■	■
26.310, 26.320 (D 2066 LF 04)		Diesel		10518	228	310	06.05-	■	■
26.310, 26.320 (D 2066 LF 35)		Diesel		10518	228	310	06.05-	■	■
26.310, 26.320 (D 2066 LF 39)		Diesel		10518	228	310	06.05-	■	■
26.310, 26.320 (D 2066 LF 04)		Diesel		10518	228	310	02.04-	■	■
26.310, 26.320 (D 2066 LF 14)		Diesel		10518	228	310	02.04-	■	■
26.310, 26.320 (D 2066 LF 35)		Diesel		10518	228	310	02.04-	■	■
26.310, 26.320 (D 2066 LF 39)		Diesel		10518	228	310	02.04-	■	■
28.310 (D 2066 LF 04)		Diesel		10518	228	310	09.02-	■	■
28.310		Diesel		10518	228	310	07.06-	■	■
28.310, 28.320 (D 2066 LF 04)		Diesel		10518	228	310	07.06-	■	■
28.310, 28.320 (D 2066 LF 14)		Diesel		10518	228	310	07.06-	■	■
28.310, 28.320 (D 2066 LF 28)		Diesel		10518	228	310	07.06-	■	■
28.310, 28.320 (D 2066 LF 39)		Diesel		10518	228	310	07.06-	■	■
28.320 (D 2066 LF 04)		Diesel		10518	228	310	07.06-	■	■
28.320 (D 2066 LF 14)		Diesel		10518	228	310	07.06-	■	■
28.320 (D 2066 LF 28)		Diesel		10518	228	310	07.06-	■	■
28.320 (D 2066 LF 39)		Diesel		10518	228	310	07.06-	■	■
28.320		Diesel		10518	228	310	07.06-	■	■
35.310, 35.320 (D 2066 LF 04)		Diesel		10518	228	310	02.04-	■	■
35.310, 35.320 (D 2066 LF 35)		Diesel		10518	228	310	02.04-	■	■
35.310, 35.320 (D 2066 LF 39)		Diesel		10518	228	310	02.04-	■	■
37.310, 37.320 (D 2066 LF 04)		Diesel		10518	228	310	12.04-	■	■
37.310, 37.320 (D 2066 LF 35)		Diesel		10518	228	310	12.04-	■	■
37.310, 37.320 (D 2066 LF 39)		Diesel		10518	228	310	12.04-	■	■
26.320 (D 2066 LF 39)		Diesel		10518	235	320	06.05-	■	■
28.320 (D 2066 LF 39)		Diesel		10518	235	320	06.04-	■	■



# LISTA DE APLICACIONES - BUYERS GUIDE

33.350, 33.360 (D 2066 LF 33)	Diesel	10518	257	350	06.05-	■	■
33.350, 33.360 (D 2066 LF 38)	Diesel	10518	257	350	06.05-	■	■
35.350 (D 2066 LF 03)	Diesel	10518	257	350	07.06-	■	■
35.350 (D 2066 LF 13)	Diesel	10518	257	350	07.06-	■	■
35.350, 35.360 (D 2066 LF 03)	Diesel	10518	257	350	02.04-	■	■
35.350, 35.360 (D 2066 LF 13)	Diesel	10518	257	350	02.04-	■	■
35.350, 35.360 (D 2066 LF 33)	Diesel	10518	257	350	02.04-	■	■
35.350, 35.360 (D 2066 LF 38)	Diesel	10518	257	350	02.04-	■	■
37.350, 37.360 (D 2066 LF 03)	Diesel	10518	257	350	12.04-	■	■
37.350, 37.360 (D 2066 LF 13)	Diesel	10518	257	350	12.04-	■	■
37.350, 37.360 (D 2066 LF 33)	Diesel	10518	257	350	12.04-	■	■
37.350, 37.360 (D 2066 LF 38)	Diesel	10518	257	350	12.04-	■	■
41.350, 41.360 (D 2066 LF 03)	Diesel	10518	257	350	12.04-	■	■
41.350, 41.360 (D 2066 LF 07)	Diesel	10518	257	350	12.04-	■	■
41.350, 41.360 (D 2066 LF 13)	Diesel	10518	257	350	12.04-	■	■
41.350, 41.360 (D 2066 LF 33)	Diesel	10518	257	350	12.04-	■	■
41.350, 41.360 (D 2066 LF 38)	Diesel	10518	257	350	12.04-	■	■
26.350	Diesel	10518	265	360	05.03-09.08	■	
26.360 (D 2066 LF 07)	Diesel	10518	265	360	05.04-	■	■
26.360 (D 2066 LF 38)	Diesel	10518	265	360	06.04-	■	■
26.360 (D 2066 LF 38)	Diesel	10518	265	360	04.06-	■	■
26.360 (D 2066 LF 38)	Diesel	10518	265	360	04.06-	■	■
26.360 (D 2066 LF 38)	Diesel	10518	265	360	04.06-	■	■
28.360 (D 2066 LF 38)	Diesel	10518	265	360	07.06-	■	■
35.360 (D 2066 LF 38)	Diesel	10518	265	360	07.06-	■	■
35.360 (D 2066 LF 38)	Diesel	10518	265	360	07.06-	■	■
35.360	Diesel	10518	265	360	07.06-	■	
41.360 (D 2066 LF 07)	Diesel	10518	265	360	12.08-	■	■
18.390, 18.400 (D 2066 LF 02)	Diesel	10518	287	390	05.04-	■	■
18.390, 18.400 (D 2066 LF 12)	Diesel	10518	287	390	05.04-	■	■
18.390, 18.400 (D 2066 LF 26)	Diesel	10518	287	390	05.04-	■	■
18.390, 18.400 (D 2066 LF 32)	Diesel	10518	287	390	05.04-	■	■
18.390, 18.400 (D 2066 LF 37)	Diesel	10518	287	390	05.04-	■	■
18.390, 18.400 (D 2066 LF 02)	Diesel	10518	287	390	05.04-	■	■
18.390, 18.400 (D 2066 LF 12)	Diesel	10518	287	390	05.04-	■	■
18.390, 18.400 (D 2066 LF 32)	Diesel	10518	287	390	05.04-	■	■
18.390, 18.400 (D 2066 LF 37)	Diesel	10518	287	390	05.04-	■	■
24.390, 24.400 (D 2066 LF 02)	Diesel	10518	287	390	05.04-	■	■
24.390, 24.400 (D 2066 LF 12)	Diesel	10518	287	390	05.04-	■	■
24.390, 24.400 (D 2066 LF 26)	Diesel	10518	287	390	05.04-	■	■
24.390, 24.400 (D 2066 LF 32)	Diesel	10518	287	390	05.04-	■	■
24.390, 24.400 (D 2066 LF 37)	Diesel	10518	287	390	05.04-	■	■
26.390 (D 2066 LF 02)	Diesel	10518	287	390	01.04-	■	■
26.390 (D 2066 LF 12)	Diesel	10518	287	390	01.04-	■	■
26.390 (D 2066 LF 02)	Diesel	10518	287	390	02.04-	■	■
26.390 (D 2066 LF 12)	Diesel	10518	287	390	02.04-	■	■
26.390, 26.400 (D 2066 LF 02)	Diesel	10518	287	390	05.04-	■	■
26.390, 26.400 (D 2066 LF 12)	Diesel	10518	287	390	05.04-	■	■
26.390, 26.400 (D 2066 LF 24)	Diesel	10518	287	390	05.04-	■	■
26.390, 26.400 (D 2066 LF 26)	Diesel	10518	287	390	05.04-	■	■
26.390, 26.400 (D 2066 LF 32)	Diesel	10518	287	390	05.04-	■	■



# LISTA DE APLICACIONES - BUYERS GUIDE

41.390, 41.400 (D 2066 LF 37)		Diesel		10518	287	390	12.04-	■	■
26.400 (D 2066 LF 37)		Diesel		10518	294	400	01.04-	■	■
26.400 (D 2066 LF 37)		Diesel		10518	294	400	04.06-	■	■
28.400 (D 2066 LF 37)		Diesel		10518	294	400	07.06-	■	■
28.400 (D 2066 LF 26)		Diesel		10518	294	400	07.06-	■	
28.400 (D 2066 LF 37)		Diesel		10518	294	400	07.06-	■	
35.400 (D 2066 LF 37)		Diesel		10518	294	400	07.06-	■	■
35.400 (D 2066 LF 37)		Diesel		10518	294	400	11.06-	■	■
35.400 (D 2066 LF 37)		Diesel		10518	294	400	07.06-	■	■
35.400		Diesel		10518	294	400	11.06-	■	
39.400 (D 2066 LF 37)		Diesel		10518	294	400	07.06-	■	■
41.400 (D 2066 LF 06)		Diesel		10518	294	400	12.08-	■	■
18.430, 18.440 (D 2066 LF 01)		Diesel		10518	316	430	05.04-	■	■
18.430, 18.440 (D 2066 LF 11)		Diesel		10518	316	430	05.04-	■	■
18.430, 18.440 (D 2066 LF 25)		Diesel		10518	316	430	05.04-	■	■
18.430, 18.440 (D 2066 LF 31)		Diesel		10518	316	430	05.04-	■	■
18.430, 18.440 (D 2066 LF 36)		Diesel		10518	316	430	05.04-	■	■
18.430, 18.440 (D 2066 LF 01)		Diesel		10518	316	430	05.04-	■	■
18.430, 18.440 (D 2066 LF 11)		Diesel		10518	316	430	05.04-	■	■
18.430, 18.440 (D 2066 LF 31)		Diesel		10518	316	430	05.04-	■	■
18.430, 18.440 (D 2066 LF 36)		Diesel		10518	316	430	05.04-	■	■
24.430, 24.440 (D 2066 LF 01)		Diesel		10518	316	430	05.04-	■	■
24.430, 24.440 (D 2066 LF 11)		Diesel		10518	316	430	05.04-	■	■
24.430, 24.440 (D 2066 LF 23)		Diesel		10518	316	430	05.04-	■	■
24.430, 24.440 (D 2066 LF 25)		Diesel		10518	316	430	05.04-	■	■
24.430, 24.440 (D 2066 LF 31)		Diesel		10518	316	430	05.04-	■	■
24.430, 24.440 (D 2066 LF 36)		Diesel		10518	316	430	05.04-	■	■
26.430 (D 2066 LF 01)		Diesel		10518	316	430	01.04-	■	■
26.430 (D 2066 LF 11)		Diesel		10518	316	430	01.04-	■	■
26.430, 26.440 (D 2066 LF 01)		Diesel		10518	316	430	05.04-	■	■
26.430, 26.440 (D 2066 LF 11)		Diesel		10518	316	430	05.04-	■	■
26.430, 26.440 (D 2066 LF 23)		Diesel		10518	316	430	05.04-	■	■
26.430, 26.440 (D 2066 LF 25)		Diesel		10518	316	430	05.04-	■	■
26.430, 26.440 (D 2066 LF 31)		Diesel		10518	316	430	05.04-	■	■
26.430, 26.440 (D 2066 LF 36)		Diesel		10518	316	430	05.04-	■	■
26.430, 26.440 (D 2066 LF 01)		Diesel		10518	316	430	05.04-	■	■
26.430, 26.440 (D 2066 LF 11)		Diesel		10518	316	430	05.04-	■	■
26.430, 26.440 (D 2066 LF 31)		Diesel		10518	316	430	05.04-	■	■
26.430, 26.440 (D 2066 LF 36)		Diesel		10518	316	430	05.04-	■	■
26.430, 26.440 (D 2066 LF 01)		Diesel		10518	316	430	06.05-	■	■
26.430, 26.440 (D 2066 LF 11)		Diesel		10518	316	430	06.05-	■	■
26.430, 26.440 (D 2066 LF 31)		Diesel		10518	316	430	06.05-	■	■
26.430, 26.440 (D 2066 LF 36)		Diesel		10518	316	430	06.05-	■	■
26.430, 26.440 (D 2066 LF 01)		Diesel		10518	316	430	06.05-	■	■
26.430, 26.440 (D 2066 LF 11)		Diesel		10518	316	430	06.05-	■	■
26.430, 26.440 (D 2066 LF 31)		Diesel		10518	316	430	06.05-	■	■
26.430, 26.440 (D 2066 LF 36)		Diesel		10518	316	430	06.05-	■	■
26.430, 26.440		Diesel		10518	316	430	05.04-	■	
28.430 (D 2066 LF 01)		Diesel		10518	316	430	07.06-	■	■
28.430 (D 2066 LF 11)		Diesel		10518	316	430	07.06-	■	■
28.430		Diesel		10518	316	430	09.02-10.08	■	

# LISTA DE APLICACIONES - BUYERS GUIDE

28.430, 28.440 (D 2066 LF 01)		Diesel		10518	316	430	06.04-	■	■
28.430, 28.440 (D 2066 LF 11)		Diesel		10518	316	430	06.04-	■	■
28.430, 28.440 (D 2066 LF 25)		Diesel		10518	316	430	06.04-	■	■
28.430, 28.440 (D 2066 LF 36)		Diesel		10518	316	430	06.04-	■	■
32.430, 32.440 (D 2066 LF 01)		Diesel		10518	316	430	05.04-	■	■
32.430, 32.440 (D 2066 LF 11)		Diesel		10518	316	430	05.04-	■	■
32.430, 32.440 (D 2066 LF 31)		Diesel		10518	316	430	05.04-	■	■
32.430, 32.440 (D 2066 LF 36)		Diesel		10518	316	430	05.04-	■	■
33.430, 33.440 (D 2066 LF 01)		Diesel		10518	316	430	05.04-	■	■
33.430, 33.440 (D 2066 LF 11)		Diesel		10518	316	430	05.04-	■	■
33.430, 33.440 (D 2066 LF 31)		Diesel		10518	316	430	05.04-	■	■
33.430, 33.440 (D 2066 LF 36)		Diesel		10518	316	430	05.04-	■	■
33.430, 33.440 (D 2066 LF 01)		Diesel		10518	316	430	06.05-	■	■
33.430, 33.440 (D 2066 LF 11)		Diesel		10518	316	430	06.05-	■	■
33.430, 33.440 (D 2066 LF 31)		Diesel		10518	316	430	06.05-	■	■
33.430, 33.440 (D 2066 LF 36)		Diesel		10518	316	430	06.05-	■	■
35.430 (D 2066 LF 01)		Diesel		10518	316	430	07.06-	■	■
35.430 (D 2066 LF 11)		Diesel		10518	316	430	07.06-	■	■
35.430 (D 2066 LF 01)		Diesel		10518	316	430	07.06-	■	■
35.430 (D 2066 LF 11)		Diesel		10518	316	430	07.06-	■	■
35.430, 35.440 (D 2066 LF 01)		Diesel		10518	316	430	02.04-	■	■
35.430, 35.440 (D 2066 LF 11)		Diesel		10518	316	430	02.04-	■	■
35.430, 35.440 (D 2066 LF 31)		Diesel		10518	316	430	02.04-	■	■
35.430, 35.440 (D 2066 LF 36)		Diesel		10518	316	430	02.04-	■	■
37.430, 37.440 (D 2066 LF 01)		Diesel		10518	316	430	12.04-	■	■
37.430, 37.440 (D 2066 LF 11)		Diesel		10518	316	430	12.04-	■	■
37.430, 37.440 (D 2066 LF 31)		Diesel		10518	316	430	12.04-	■	■
37.430, 37.440 (D 2066 LF 36)		Diesel		10518	316	430	12.04-	■	■
39.430 (D 2066 LF 01)		Diesel		10518	316	430	07.06-	■	■
39.430 (D 2066 LF 11)		Diesel		10518	316	430	07.06-	■	■
41.430, 41.440 (D 2066 LF 01)		Diesel		10518	316	430	12.04-	■	■
41.430, 41.440 (D 2066 LF 11)		Diesel		10518	316	430	12.04-	■	■
41.430, 41.440 (D 2066 LF 31)		Diesel		10518	316	430	12.04-	■	■
26.440		Diesel		10518	321	436	05.03-10.08	■	
33.440		Diesel		10518	321	436	05.03-03.11	■	
26.440 (D 2066 LF 36)		Diesel		10518	324	440	09.05-	■	■
28.440 (D 2066 LF 36)		Diesel		10518	324	440	01.04-10.08	■	■
28.440		Diesel		10518	324	440	07.06-	■	
35.440 (D 2066 LF 36)		Diesel		10518	324	440	07.06-	■	■
35.440 (D 2066 LF 36)		Diesel		10518	324	440	11.06-	■	■
35.440 (D 2066 LF 36)		Diesel		10518	324	440	07.06-	■	■
35.440		Diesel		10518	324	440	11.06-	■	
39.440 (D 2066 LF 36)		Diesel		10518	324	440	07.06-	■	■
18.310 (D 2866 LF26)		Diesel		11967	228	310	09.02-	■	■
18.310, 18.320 (D 2866 LF26)		Diesel		11967	228	310	04.00-	■	■
18.310, 18.320 (D 2866 LF36)		Diesel		11967	228	310	04.00-	■	■
26.310 (D 2866 LF26)		Diesel		11967	228	310	09.00-	■	■
26.310 (D 2866 LF36)		Diesel		11967	228	310	09.00-	■	■
26.310 (D 2866 LF26)		Diesel		11967	228	310	02.02-	■	■
26.310 (D 2866 LF26)		Diesel		11967	228	310	01.01-	■	■
26.310 (D 2866 LF36)		Diesel		11967	228	310	09.03-	■	■

# LISTA DE APLICACIONES - BUYERS GUIDE

28.310 (D 2866 LF26)		Diesel		11967	228	310	09.02-	■	■
28.310 (D 2866 LF26)		Diesel		11967	228	310	09.02-	■	■
28.310		Diesel		11967	228	310	07.06-	■	
32.310 (D 2866 LF26)		Diesel		11967	228	310	01.02-	■	■
35.310 (D 2866 LF26)		Diesel		11967	228	310	06.03-	■	■
37.310 (D 2866 LF26)		Diesel		11967	228	310	12.04-	■	■
18.360 (D 2866 LF27)		Diesel		11967	265	360	04.00-	■	■
18.360 (D 2866 LF37)		Diesel		11967	265	360	04.00-	■	■
18.360 (D 2866 LF27)		Diesel		11967	265	360	09.02-	■	■
24.360 (D 2866 LF27)		Diesel		11967	265	360	09.01-	■	■
26.360 (D 2866 LF27)		Diesel		11967	265	360	09.00-	■	■
26.360 (D 2866 LF37)		Diesel		11967	265	360	09.00-	■	■
26.360 (D 2866 LF27)		Diesel		11967	265	360	01.01-	■	■
26.360 (D 2866 LF37)		Diesel		11967	265	360	01.01-	■	■
26.360 (D 2866 LF27)		Diesel		11967	265	360	02.02-	■	■
26.360 (D 2866 LF37)		Diesel		11967	265	360	02.02-	■	■
26.360		Diesel		11967	265	360	09.00-	■	
28.360 (D 2866 LF27)		Diesel		11967	265	360	09.02-	■	■
28.360 (D 2866 LF27)		Diesel		11967	265	360	07.06-	■	■
28.360 (D 2866 LF27)		Diesel		11967	265	360	09.02-	■	■
28.360		Diesel		11967	265	360	07.06-	■	
32.360 (D 2866 LF27)		Diesel		11967	265	360	01.02-	■	■
33.360 (D 2866 LF27)		Diesel		11967	265	360	10.00-	■	■
33.360 (D 2866 LF37)		Diesel		11967	265	360	10.00-	■	■
33.360 (D 2866 LF27)		Diesel		11967	265	360	09.02-	■	■
33.360 (D 2866 LF37)		Diesel		11967	265	360	09.02-	■	■
35.360 (D 2866 LF27)		Diesel		11967	265	360	10.03-	■	■
35.360 (D 2866 LF27)		Diesel		11967	265	360	07.06-	■	■
37.360 (D 2866 LF27)		Diesel		11967	265	360	12.04-	■	■
41.360 (D 2866 LF27)		Diesel		11967	265	360	01.03-	■	■
41.360 (D 2866 LF37)		Diesel		11967	265	360	01.03-	■	■
18.410 (D 2866 LF28)		Diesel		11967	301	410	09.02-	■	■
18.410, 18.420 (D 2866 LF28)		Diesel		11967	301	410	04.00-	■	■
18.410, 18.420 (D 2866 LF32)		Diesel		11967	301	410	04.00-	■	■
24.410 (D 2866 LF28)		Diesel		11967	301	410	09.01-	■	■
26.410 (D 2866 LF28)		Diesel		11967	301	410	04.00-	■	■
26.410 (D 2866 LF32)		Diesel		11967	301	410	04.00-	■	■
26.410 (D 2866 LF28)		Diesel		11967	301	410	01.01-	■	■
26.410 (D 2866 LF32)		Diesel		11967	301	410	01.01-	■	■
26.410 (D 2866 LF28)		Diesel		11967	301	410	02.02-	■	■
26.410 (D 2866 LF32)		Diesel		11967	301	410	02.02-	■	■
26.410 (D 2866 LF28)		Diesel		11967	301	410	09.03-	■	■
28.410 (D 2866 LF28)		Diesel		11967	301	410	09.02-	■	■
28.410 (D 2866 LF28)		Diesel		11967	301	410	07.06-	■	■
28.410 (D 2866 LF28)		Diesel		11967	301	410	09.02-	■	■
28.410		Diesel		11967	301	410	07.06-	■	
32.410 (D 2866 LF28)		Diesel		11967	301	410	01.02-	■	■
33.410 (D 2866 LF28)		Diesel		11967	301	410	10.00-	■	■
33.410 (D 2866 LF32)		Diesel		11967	301	410	10.00-	■	■
33.410 (D 2866 LF28)		Diesel		11967	301	410	09.02-	■	■
33.410 (D 2866 LF32)		Diesel		11967	301	410	09.02-	■	■

# LISTA DE APLICACIONES - BUYERS GUIDE

35.410 (D 2866 LF28)		Diesel		11967	301	410	10.03-	■	■
35.410 (D 2866 LF28)		Diesel		11967	301	410	07.06-	■	■
35.410 (D 2866 LF28)		Diesel		11967	301	410	07.06-	■	■
37.410 (D 2866 LF28)		Diesel		11967	301	410	12.04-	■	■
41.410 (D 2866 LF28)		Diesel		11967	301	410	09.03-	■	■
41.410 (D 2866 LF32)		Diesel		11967	301	410	09.03-	■	■
26.440 (D 2676 LF 04)		Diesel		12419	324	440	02.06-	■	■
33.440 (D 2676 LF 04)		Diesel		12419	324	440	06.05-	■	■
33.440 (D 2676 LF 04)		Diesel		12419	324	440	06.05-	■	■
41.440 (D 2676 LF 04)		Diesel		12419	324	440	12.04-	■	■
18.480 (D 2676 LF 01)		Diesel		12419	353	480	01.06-	■	■
18.480 (D 2676 LF 05)		Diesel		12419	353	480	01.06-	■	■
18.480 (D 2676 LF 14)		Diesel		12419	353	480	01.06-	■	■
24.480 (D 2676 LF 01)		Diesel		12419	353	480	01.06-	■	■
24.480 (D 2676 LF 05)		Diesel		12419	353	480	01.06-	■	■
24.480 (D 2676 LF 12)		Diesel		12419	353	480	01.06-	■	■
24.480 (D 2676 LF 14)		Diesel		12419	353	480	01.06-	■	■
26.480 (D 2676 LF 01)		Diesel		12419	353	480	02.06-	■	■
26.480 (D 2676 LF 02)		Diesel		12419	353	480	02.06-	■	■
26.480 (D 2676 LF 03)		Diesel		12419	353	480	02.06-	■	■
26.480 (D 2676 LF 05)		Diesel		12419	353	480	02.06-	■	■
26.480 (D 2676 LF 01)		Diesel		12419	353	480	02.06-	■	■
26.480 (D 2676 LF 02)		Diesel		12419	353	480	02.06-	■	■
26.480 (D 2676 LF 05)		Diesel		12419	353	480	02.06-	■	■
26.480 (D 2676 LF 12)		Diesel		12419	353	480	02.06-	■	■
26.480 (D 2676 LF 14)		Diesel		12419	353	480	02.06-	■	■
26.480 (D 2676 LF 01)		Diesel		12419	353	480	02.06-	■	■
26.480 (D 2676 LF 05)		Diesel		12419	353	480	02.06-	■	■
26.480		Diesel		12419	353	480	02.06-	■	
28.480 (D 2676 LF 02)		Diesel		12419	353	480	02.06-	■	■
28.480 (D 2676 LF 05)		Diesel		12419	353	480	02.06-	■	■
28.480 (D 2676 LF 14)		Diesel		12419	353	480	02.06-	■	■
28.480 (D 2676 LF 05)		Diesel		12419	353	480	07.06-	■	■
32.480 (D 2676 LF 01)		Diesel		12419	353	480	02.06-	■	■
32.480 (D 2676 LF 05)		Diesel		12419	353	480	02.06-	■	■
33.480 (D 2676 LF 01)		Diesel		12419	353	480	01.06-	■	■
33.480 (D 2676 LF 02)		Diesel		12419	353	480	01.06-	■	■
33.480 (D 2676 LF 03)		Diesel		12419	353	480	01.06-	■	■
33.480 (D 2676 LF 05)		Diesel		12419	353	480	01.06-	■	■
33.480 (D 2676 LF 01)		Diesel		12419	353	480	02.06-	■	■
33.480 (D 2676 LF 02)		Diesel		12419	353	480	02.06-	■	■
33.480 (D 2676 LF 03)		Diesel		12419	353	480	02.06-	■	■
33.480 (D 2676 LF 05)		Diesel		12419	353	480	02.06-	■	■
35.480 (D 2676 LF 01)		Diesel		12419	353	480	02.04-	■	■
35.480 (D 2676 LF 05)		Diesel		12419	353	480	02.04-	■	■
35.480 (D 2676 LF 05)		Diesel		12419	353	480	07.06-	■	■
35.480 (D 2676 LF 05)		Diesel		12419	353	480	11.06-	■	■
35.480 (D 2676 LF 05)		Diesel		12419	353	480	07.06-	■	■
35.480		Diesel		12419	353	480	11.06-	■	
37.480 (D 2676 LF 01)		Diesel		12419	353	480	02.06-	■	■
37.480 (D 2676 LF 05)		Diesel		12419	353	480	02.06-	■	■

# LISTA DE APLICACIONES - BUYERS GUIDE

39.480 (D 2676 LF 05)		Diesel		12419	353	480	07.06-	■	■
41.480 (D 2676 LF 01)		Diesel		12419	353	480	02.06-	■	■
41.480 (D 2676 LF 02)		Diesel		12419	353	480	02.06-	■	■
41.480 (D 2676 LF 03)		Diesel		12419	353	480	02.06-	■	■
41.480 (D 2676 LF 05)		Diesel		12419	353	480	02.06-	■	■
18.540 (D 2676 LF 13)		Diesel		12419	397	540	08.06-	■	■
24.540 (D 2676 LF 11)		Diesel		12419	397	540	01.06-	■	■
24.540 (D 2676 LF 13)		Diesel		12419	397	540	01.06-	■	■
26.540 (D 2676 LF 13)		Diesel		12419	397	540	08.06-	■	■
26.540		Diesel		12419	397	540	08.06-	■	
28.540 (D 2676 LF 13)		Diesel		12419	397	540	08.06-	■	■
18.460 (D 2876 LF 04)		Diesel		12816	338	460	04.00-	■	■
18.460 (D 2876 LF 07)		Diesel		12816	338	460	04.00-	■	■
24.460 (D 2876 LF 04)		Diesel		12816	338	460	09.01-	■	■
26.460 (D 2876 LF 04)		Diesel		12816	338	460	04.00-	■	■
26.460 (D 2876 LF 07)		Diesel		12816	338	460	04.00-	■	■
26.460 (D 2876 LF 04)		Diesel		12816	338	460	01.01-	■	■
26.460 (D 2876 LF 07)		Diesel		12816	338	460	01.01-	■	■
26.460 (D 2876 LF 04)		Diesel		12816	338	460	02.01-	■	■
26.460 (D 2876 LF 07)		Diesel		12816	338	460	02.01-	■	■
28.460 (D 2876 LF 04)		Diesel		12816	338	460	09.02-	■	■
32.460 (D 2876 LF 04)		Diesel		12816	338	460	01.02-	■	■
33.460 (D 2876 LF 04)		Diesel		12816	338	460	09.02-	■	■
33.460 (D 2876 LF 07)		Diesel		12816	338	460	09.02-	■	■
33.460 (D 2876 LF 07)		Diesel		12816	338	460	09.02-	■	■
35.460 (D 2876 LF 04)		Diesel		12816	338	460	10.03-	■	■
35.460 (D 2876 LF 04)		Diesel		12816	338	460	07.06-	■	■
37.460 (D 2876 LF 04)		Diesel		12816	338	460	12.04-	■	■
41.460 (D 2876 LF 07)		Diesel		12816	338	460	09.03-	■	■
18.480 (D 2876 LF 12)		Diesel		12816	353	480	09.02-	■	■
18.480 (D 2876 LF 12)		Diesel		12816	353	480	09.02-	■	■
24.480 (D 2876 LF 12)		Diesel		12816	353	480	09.02-	■	■
26.480 (D 2876 LF 12)		Diesel		12816	353	480	09.02-	■	■
26.480 (D 2876 LF 12)		Diesel		12816	353	480	09.02-	■	■
26.480 (D 2876 LF 25)		Diesel		12816	353	480	09.02-	■	■
26.480 (D 2876 LF 12)		Diesel		12816	353	480	09.02-	■	■
26.480		Diesel		12816	353	480	09.02-	■	
28.390 (D 2876 LF 12)		Diesel		12816	353	480	07.06-	■	■
28.480 (D 2876 LF 12)		Diesel		12816	353	480	09.02-	■	■
28.480 (D 2876 LF 12)		Diesel		12816	353	480	07.06-	■	■
32.480 (D 2876 LF 12)		Diesel		12816	353	480	09.02-	■	■
33.480 (D 2876 LF 12)		Diesel		12816	353	480	09.02-	■	■
33.480 (D 2876 LF 25)		Diesel		12816	353	480	09.02-	■	■
33.480 (D 2876 LF 12)		Diesel		12816	353	480	09.02-	■	■
33.480 (D 2876 LF 25)		Diesel		12816	353	480	09.02-	■	■
35.480 (D 2876 LF 12)		Diesel		12816	353	480	10.03-	■	■
35.480 (D 2876 LF 12)		Diesel		12816	353	480	07.06-	■	■
35.480 (D 2876 LF 12)		Diesel		12816	353	480	07.06-	■	■
37.480 (D 2876 LF 12)		Diesel		12816	353	480	12.04-	■	■
41.480 (D 2876 LF 12)		Diesel		12816	353	480	06.05-	■	■
41.480 (D 2876 LF 25)		Diesel		12816	353	480	06.05-	■	■

# LISTA DE APLICACIONES - BUYERS GUIDE

18.510 (D 2876 LF 05)		Diesel		12816	375	510	09.00-	■	■
24.510 (D 2876 LF 05)		Diesel		12816	375	510	09.01-	■	■
26.510 (D 2876 LF 05)		Diesel		12816	375	510	12.00-	■	■
26.510 (D 2876 LF 05)		Diesel		12816	375	510	01.01-	■	■
26.510		Diesel		12816	375	510	12.00-	■	■
28.510 (D 2876 LF 05)		Diesel		12816	375	510	09.02-	■	■
33.510 (D 2876 LF 05)		Diesel		12816	375	510	09.02-	■	■
18.530 (D 2876 LF 13)		Diesel		12816	390	530	09.02-	■	■
18.530 (D 2876 LF 13)		Diesel		12816	390	530	04.04-	■	■
24.530 (D 2876 LF 13)		Diesel		12816	390	530	09.01-	■	■
26.530 (D 2876 LF 13)		Diesel		12816	390	530	09.02-	■	■
26.530 (D 2876 LF 13)		Diesel		12816	390	530	01.01-	■	■
26.530 (D 2876 LF 13)		Diesel		12816	390	530	07.06-	■	■
26.530		Diesel		12816	390	530	09.02-	■	■
28.530 (D 2876 LF 13)		Diesel		12816	390	530	09.02-	■	■
28.530 (D 2876 LF 13)		Diesel		12816	390	530	07.06-	■	■
33.530 (D 2876 LF 13)		Diesel		12816	390	530	09.02-	■	■
33.530 (D 2876 LF 13)		Diesel		12816	390	530	09.02-	■	■
35.530 (D 2876 LF 13)		Diesel		12816	390	530	04.04-	■	■
35.530 (D 2876 LF 13)		Diesel		12816	390	530	04.04-	■	■
35.530 (D 2876 LF 13)		Diesel		12816	390	530	07.06-	■	■
37.530 (D 2876 LF 13)		Diesel		12816	390	530	12.04-	■	■
41.530 (D 2876 LF 13)		Diesel		12816	390	530	12.04-	■	■
<b>TGA 03.00-</b>								<b>Truck Tractor</b>	
18.310, 18.320 (D 2066 LF 04)		Diesel		10518	228	310	05.04-	■	■
18.310, 18.320 (D 2066 LF 14)		Diesel		10518	228	310	05.04-	■	■
18.310, 18.320 (D 2066 LF 28)		Diesel		10518	228	310	05.04-	■	■
18.310, 18.320 (D 2066 LF 35)		Diesel		10518	228	310	05.04-	■	■
18.310, 18.320 (D 2066 LF 39)		Diesel		10518	228	310	05.04-	■	■
18.310, 18.320 (D 2066 LF 04)		Diesel		10518	228	310	05.04-	■	■
18.310, 18.320 (D 2066 LF 14)		Diesel		10518	228	310	05.04-	■	■
18.310, 18.320 (D 2066 LF 35)		Diesel		10518	228	310	05.04-	■	■
18.310, 18.320 (D 2066 LF 39)		Diesel		10518	228	310	05.04-	■	■
26.310 (D 2066 LF 04)		Diesel		10518	228	310	01.04-	■	■
26.310, 26.320 (D 2066 LF 04)		Diesel		10518	228	310	05.04-	■	■
26.310, 26.320 (D 2066 LF 14)		Diesel		10518	228	310	05.04-	■	■
26.310, 26.320 (D 2066 LF 35)		Diesel		10518	228	310	05.04-	■	■
26.310, 26.320 (D 2066 LF 39)		Diesel		10518	228	310	05.04-	■	■
26.310, 26.320 (D 2066 LF 04)		Diesel		10518	228	310	05.04-	■	■
26.310, 26.320 (D 2066 LF 14)		Diesel		10518	228	310	05.04-	■	■
26.310, 26.320 (D 2066 LF 35)		Diesel		10518	228	310	05.04-	■	■
26.310, 26.320 (D 2066 LF 39)		Diesel		10518	228	310	05.04-	■	■
26.310, 26.320 (D 2066 LF 04)		Diesel		10518	228	310	06.05-	■	■
26.310, 26.320 (D 2066 LF 35)		Diesel		10518	228	310	06.05-	■	■
26.310, 26.320 (D 2066 LF 39)		Diesel		10518	228	310	06.05-	■	■
28.310 (D 2066 LF 04)		Diesel		10518	228	310	06.04-	■	■
28.310 (D 2066 LF 14)		Diesel		10518	228	310	06.04-	■	■
26.320 (D 2066 LF 39)		Diesel		10518	235	320	04.06-	■	■
28.320 (D 2066 LF 28)		Diesel		10518	235	320	06.04-	■	■
28.320 (D 2066 LF 39)		Diesel		10518	235	320	06.04-	■	■
18.350 (D 2066 LF 03)		Diesel		10518	257	350	05.04-	■	■

# LISTA DE APLICACIONES - BUYERS GUIDE

18.350 (D 2066 LF 13)		Diesel		10518	257	350	05.04-	■	■
18.350, 18.360 (D 2066 LF 03)		Diesel		10518	257	350	05.04-	■	■
18.350, 18.360 (D 2066 LF 13)		Diesel		10518	257	350	05.04-	■	■
18.350, 18.360 (D 2066 LF 33)		Diesel		10518	257	350	05.04-	■	■
18.350, 18.360 (D 2066 LF 38)		Diesel		10518	257	350	05.04-	■	■
19.350 (D 2066 LF 03)		Diesel		10518	257	350	05.04-	■	■
24.350, 24.360 (D 2066 LF 03)		Diesel		10518	257	350	02.04-	■	■
24.350, 24.360 (D 2066 LF 13)		Diesel		10518	257	350	02.04-	■	■
24.350, 24.360 (D 2066 LF 33)		Diesel		10518	257	350	02.04-	■	■
24.350, 24.360 (D 2066 LF 38)		Diesel		10518	257	350	02.04-	■	■
26.350 (D 2066 LF 03)		Diesel		10518	257	350	05.04-	■	■
26.350 (D 2066 LF 03)		Diesel		10518	257	350	02.04-	■	■
26.350 (D 2066 LF 13)		Diesel		10518	257	350	02.04-	■	■
26.350 (D 2066 LF 03)		Diesel		10518	257	350	07.05-	■	■
26.350 (D 2066 LF 13)		Diesel		10518	257	350	07.05-	■	■
26.350 (D 2066 LF 13)		Diesel		10518	257	350	07.05-	■	■
26.350, 26.360 (D 2066 LF 03)		Diesel		10518	257	350	05.04-	■	■
26.350, 26.360 (D 2066 LF 13)		Diesel		10518	257	350	05.04-	■	■
26.350, 26.360 (D 2066 LF 33)		Diesel		10518	257	350	05.04-	■	■
26.350, 26.360 (D 2066 LF 38)		Diesel		10518	257	350	05.04-	■	■
26.350, 26.360 (D 2066 LF 03)		Diesel		10518	257	350	05.04-	■	■
26.350, 26.360 (D 2066 LF 13)		Diesel		10518	257	350	05.04-	■	■
26.350, 26.360 (D 2066 LF 33)		Diesel		10518	257	350	05.04-	■	■
26.350, 26.360 (D 2066 LF 38)		Diesel		10518	257	350	05.04-	■	■
26.350, 26.360 (D 2066 LF 03)		Diesel		10518	257	350	05.04-	■	■
26.350, 26.360 (D 2066 LF 13)		Diesel		10518	257	350	05.04-	■	■
26.350, 26.360 (D 2066 LF 33)		Diesel		10518	257	350	05.04-	■	■
26.350, 26.360 (D 2066 LF 38)		Diesel		10518	257	350	05.04-	■	■
28.350 (D 2066 LF 03)		Diesel		10518	257	350	02.04-	■	■
33.350, 33.360 (D 2066 LF 03)		Diesel		10518	257	350	05.04-	■	■
33.350, 33.360 (D 2066 LF 07)		Diesel		10518	257	350	05.04-	■	■
33.350, 33.360 (D 2066 LF 13)		Diesel		10518	257	350	05.04-	■	■
33.350, 33.360 (D 2066 LF 33)		Diesel		10518	257	350	05.04-	■	■
33.350, 33.360 (D 2066 LF 38)		Diesel		10518	257	350	05.04-	■	■
33.350, 33.360 (D 2066 LF 03)		Diesel		10518	257	350	06.05-	■	■
33.350, 33.360 (D 2066 LF 07)		Diesel		10518	257	350	06.05-	■	■
33.350, 33.360 (D 2066 LF 13)		Diesel		10518	257	350	06.05-	■	■
33.350, 33.360 (D 2066 LF 33)		Diesel		10518	257	350	06.05-	■	■
33.350, 33.360 (D 2066 LF 38)		Diesel		10518	257	350	06.05-	■	■
18.360 (D 2066 LF 07)		Diesel		10518	265	360	01.06-	■	■
18.360 (D 2066 LF 27)		Diesel		10518	265	360	01.06-	■	■
18.360 (D 2066 LF 38)		Diesel		10518	265	360	01.06-	■	■
19.360 (D 2066 LF 07)		Diesel		10518	265	360	05.04-	■	■
26.360 (D 2066 LF 07)		Diesel		10518	265	360	05.04-	■	■
26.360 (D 2066 LF 38)		Diesel		10518	265	360	05.04-	■	■
26.360 (D 2066 LF 38)		Diesel		10518	265	360	06.04-	■	■
26.360 (D 2066 LF 38)		Diesel		10518	265	360	04.06-	■	■
28.360 (D 2066 LF 38)		Diesel		10518	265	360	04.06-	■	■
18.390 (D 2066 LF 02)		Diesel		10518	287	390	05.04-	■	■
18.390 (D 2066 LF 12)		Diesel		10518	287	390	05.04-	■	■
18.390, 18.400 (D 2066 LF 02)		Diesel		10518	287	390	05.04-	■	■

## LISTA DE APLICACIONES - BUYERS GUIDE

18.390, 18.400 (D 2066 LF 12)		Diesel		10518	287	390	05.04-	■	■
18.390, 18.400 (D 2066 LF 32)		Diesel		10518	287	390	05.04-	■	■
18.390, 18.400 (D 2066 LF 37)		Diesel		10518	287	390	05.04-	■	■
19.390 (D 2066 LF 02)		Diesel		10518	287	390	05.04-	■	■
24.390, 24.400 (D 2066 LF 02)		Diesel		10518	287	390	05.04-	■	■
24.390, 24.400 (D 2066 LF 12)		Diesel		10518	287	390	05.04-	■	■
24.390, 24.400 (D 2066 LF 32)		Diesel		10518	287	390	05.04-	■	■
24.390, 24.400 (D 2066 LF 37)		Diesel		10518	287	390	05.04-	■	■
26.390 (D 2066 LF 02)		Diesel		10518	287	390	02.04-	■	■
26.390 (D 2066 LF 12)		Diesel		10518	287	390	02.04-	■	■
26.390 (D 2066 LF 02)		Diesel		10518	287	390	07.05-	■	■
26.390 (D 2066 LF 12)		Diesel		10518	287	390	07.05-	■	■
26.390, 26.400 (D 2066 LF 02)		Diesel		10518	287	390	05.04-	■	■
26.390, 26.400 (D 2066 LF 12)		Diesel		10518	287	390	05.04-	■	■
26.390, 26.400 (D 2066 LF 32)		Diesel		10518	287	390	05.04-	■	■
26.390, 26.400 (D 2066 LF 37)		Diesel		10518	287	390	05.04-	■	■
26.390, 26.400 (D 2066 LF 02)		Diesel		10518	287	390	05.04-	■	■
26.390, 26.400 (D 2066 LF 06)		Diesel		10518	287	390	05.04-	■	■
26.390, 26.400 (D 2066 LF 12)		Diesel		10518	287	390	05.04-	■	■
26.390, 26.400 (D 2066 LF 32)		Diesel		10518	287	390	05.04-	■	■
26.390, 26.400 (D 2066 LF 37)		Diesel		10518	287	390	05.04-	■	■
26.390, 26.400 (D 2066 LF 02)		Diesel		10518	287	390	06.05-	■	■
26.390, 26.400 (D 2066 LF 12)		Diesel		10518	287	390	06.05-	■	■
26.390, 26.400 (D 2066 LF 32)		Diesel		10518	287	390	06.05-	■	■
26.390, 26.400 (D 2066 LF 37)		Diesel		10518	287	390	06.05-	■	■
28.390 (D 2066 LF 02)		Diesel		10518	287	390	05.04-	■	■
28.390 (D 2066 LF 12)		Diesel		10518	287	390	05.04-	■	■
33.390, 33.400 (D 2066 LF 02)		Diesel		10518	287	390	05.04-	■	■
33.390, 33.400 (D 2066 LF 06)		Diesel		10518	287	390	05.04-	■	■
33.390, 33.400 (D 2066 LF 12)		Diesel		10518	287	390	05.04-	■	■
33.390, 33.400 (D 2066 LF 32)		Diesel		10518	287	390	05.04-	■	■
33.390, 33.400 (D 2066 LF 37)		Diesel		10518	287	390	05.04-	■	■
33.390, 33.400 (D 2066 LF 02)		Diesel		10518	287	390	06.05-	■	■
33.390, 33.400 (D 2066 LF 06)		Diesel		10518	287	390	06.05-	■	■
33.390, 33.400 (D 2066 LF 12)		Diesel		10518	287	390	06.05-	■	■
33.390, 33.400 (D 2066 LF 32)		Diesel		10518	287	390	06.05-	■	■
33.390, 33.400 (D 2066 LF 37)		Diesel		10518	287	390	06.05-	■	■
40.390, 40.400 (D 2066 LF 02)		Diesel		10518	287	390	06.05-	■	■
40.390, 40.400 (D 2066 LF 06)		Diesel		10518	287	390	06.05-	■	■
40.390, 40.400 (D 2066 LF 02)		Diesel		10518	287	390	06.05-	■	■
40.390, 40.400 (D 2066 LF 06)		Diesel		10518	287	390	06.05-	■	■
40.390, 40.400 (D 2066 LF 12)		Diesel		10518	287	390	06.05-	■	■
40.390, 40.400 (D 2066 LF 37)		Diesel		10518	287	390	06.05-	■	■
18.400 (D 2066 LF 26)		Diesel		10518	294	400	10.05-	■	■
18.400 (D 2066 LF 37)		Diesel		10518	294	400	10.05-	■	■
19.400 (D 2066 LF 06)		Diesel		10518	294	400	05.04-	■	■
26.400 (D 2066 LF 37)		Diesel		10518	294	400	01.04-	■	■
26.400 (D 2066 LF 37)		Diesel		10518	294	400	04.06-	■	■
28.400 (D 2066 LF 26)		Diesel		10518	294	400	04.06-	■	■
28.400 (D 2066 LF 37)		Diesel		10518	294	400	04.06-	■	■
18.430 (D 2066 LF 01)		Diesel		10518	316	430	05.04-	■	■

# LISTA DE APLICACIONES - BUYERS GUIDE

18.430 (D 2066 LF 11)		Diesel		10518	316	430	05.04-	■	■
18.430, 18.440 (D 2066 LF 01)		Diesel		10518	316	430	05.04-	■	■
18.430, 18.440 (D 2066 LF 11)		Diesel		10518	316	430	05.04-	■	■
18.430, 18.440 (D 2066 LF 31)		Diesel		10518	316	430	05.04-	■	■
18.430, 18.440 (D 2066 LF 36)		Diesel		10518	316	430	05.04-	■	■
19.430 (D 2066 LF 01)		Diesel		10518	316	430	03.05-03.11	■	■
24.430, 24.440 (D 2066 LF 01)		Diesel		10518	316	430	05.04-	■	■
24.430, 24.440 (D 2066 LF 11)		Diesel		10518	316	430	05.04-	■	■
24.430, 24.440 (D 2066 LF 31)		Diesel		10518	316	430	05.04-	■	■
24.430, 24.440 (D 2066 LF 36)		Diesel		10518	316	430	05.04-	■	■
26.430 (D 2066 LF 01)		Diesel		10518	316	430	02.04-	■	■
26.430 (D 2066 LF 01)		Diesel		10518	316	430	01.04-	■	■
26.430 (D 2066 LF 11)		Diesel		10518	316	430	01.04-	■	■
26.430 (D 2066 LF 01)		Diesel		10518	316	430	07.05-	■	■
26.430 (D 2066 LF 11)		Diesel		10518	316	430	07.05-	■	■
26.430, 26.440 (D 2066 LF 01)		Diesel		10518	316	430	05.04-	■	■
26.430, 26.440 (D 2066 LF 11)		Diesel		10518	316	430	05.04-	■	■
26.430, 26.440 (D 2066 LF 31)		Diesel		10518	316	430	05.04-	■	■
26.430, 26.440 (D 2066 LF 36)		Diesel		10518	316	430	05.04-	■	■
26.430, 26.440 (D 2066 LF 01)		Diesel		10518	316	430	02.04-	■	■
26.430, 26.440 (D 2066 LF 11)		Diesel		10518	316	430	02.04-	■	■
26.430, 26.440 (D 2066 LF 23)		Diesel		10518	316	430	02.04-	■	■
26.430, 26.440 (D 2066 LF 31)		Diesel		10518	316	430	02.04-	■	■
26.430, 26.440 (D 2066 LF 36)		Diesel		10518	316	430	02.04-	■	■
26.430, 26.440 (D 2066 LF 01)		Diesel		10518	316	430	06.05-	■	■
26.430, 26.440 (D 2066 LF 11)		Diesel		10518	316	430	06.05-	■	■
26.430, 26.440 (D 2066 LF 31)		Diesel		10518	316	430	06.05-	■	■
26.430, 26.440 (D 2066 LF 36)		Diesel		10518	316	430	06.05-	■	■
28.430 (D 2066 LF 01)		Diesel		10518	316	430	05.04-	■	■
28.430 (D 2066 LF 11)		Diesel		10518	316	430	05.04-	■	■
33.430, 33.440 (D 2066 LF 01)		Diesel		10518	316	430	05.04-	■	■
33.430, 33.440 (D 2066 LF 11)		Diesel		10518	316	430	05.04-	■	■
33.430, 33.440 (D 2066 LF 31)		Diesel		10518	316	430	05.04-	■	■
33.430, 33.440 (D 2066 LF 36)		Diesel		10518	316	430	05.04-	■	■
33.430, 33.440 (D 2066 LF 01)		Diesel		10518	316	430	06.05-	■	■
33.430, 33.440 (D 2066 LF 11)		Diesel		10518	316	430	06.05-	■	■
33.430, 33.440 (D 2066 LF 31)		Diesel		10518	316	430	06.05-	■	■
33.430, 33.440 (D 2066 LF 36)		Diesel		10518	316	430	06.05-	■	■
40.430 (D 2066 LF 01)		Diesel		10518	316	430	06.05-	■	■
40.430, 40.440 (D 2066 LF 01)		Diesel		10518	316	430	06.05-	■	■
40.430, 40.440 (D 2066 LF 11)		Diesel		10518	316	430	06.05-	■	■
40.430, 40.440 (D 2066 LF 36)		Diesel		10518	316	430	06.05-	■	■
26.440		Diesel		10518	321	436	05.03-10.08	■	
33.440		Diesel		10518	321	436	05.03-03.11	■	
18.440 (D 2066 LF 25)		Diesel		10518	324	440	09.05-	■	■
18.440 (D 2066 LF 36)		Diesel		10518	324	440	09.05-	■	■
26.440 (D 2066 LF 36)		Diesel		10518	324	440	01.04-	■	■
26.440 (D 2066 LF 36)		Diesel		10518	324	440	09.05-	■	■
28.440 (D 2066 LF 25)		Diesel		10518	324	440	09.05-	■	■
28.440 (D 2066 LF 36)		Diesel		10518	324	440	09.05-	■	■
18.310 (D 2866 LF26)		Diesel		11967	228	310	04.00-	■	■

# LISTA DE APLICACIONES - BUYERS GUIDE

18.310 (D 2866 LF36)		Diesel		11967	228	310	04.00-	■	■
18.310 (D 2866 LF26)		Diesel		11967	228	310	09.02-	■	■
26.310 (D 2866 LF26)		Diesel		11967	228	310	12.00-	■	■
26.310 (D 2866 LF36)		Diesel		11967	228	310	12.00-	■	■
26.310 (D 2866 LF26)		Diesel		11967	228	310	02.02-	■	■
26.310 (D 2866 LF26)		Diesel		11967	228	310	01.01-	■	■
26.310		Diesel		11967	228	310	12.00-	■	
28.310 (D 2866 LF26)		Diesel		11967	228	310	09.02-	■	■
18.360 (D 2866 LF27)		Diesel		11967	265	360	04.00-	■	■
18.360 (D 2866 LF37)		Diesel		11967	265	360	04.00-	■	■
18.360 (D 2866 LF27)		Diesel		11967	265	360	09.02-	■	■
19.360 (D 2866 LF37)		Diesel		11967	265	360	05.04-	■	■
26.360 (D 2866 LF27)		Diesel		11967	265	360	12.00-	■	■
26.360 (D 2866 LF37)		Diesel		11967	265	360	12.00-	■	■
26.360 (D 2866 LF27)		Diesel		11967	265	360	02.02-	■	■
26.360 (D 2866 LF27)		Diesel		11967	265	360	09.03-	■	■
26.360 (D 2866 LF37)		Diesel		11967	265	360	09.03-	■	■
26.360		Diesel		11967	265	360	12.00-	■	
28.360 (D 2866 LF27)		Diesel		11967	265	360	09.02-	■	■
33.360 (D 2866 LF27)		Diesel		11967	265	360	10.00-	■	■
33.360 (D 2866 LF37)		Diesel		11967	265	360	10.00-	■	■
33.360 (D 2866 LF27)		Diesel		11967	265	360	09.02-	■	■
33.360 (D 2866 LF37)		Diesel		11967	265	360	09.02-	■	■
18.410 (D 2866 LF28)		Diesel		11967	301	410	04.00-	■	■
18.410 (D 2866 LF32)		Diesel		11967	301	410	04.00-	■	■
18.410 (D 2866 LF28)		Diesel		11967	301	410	09.02-	■	■
19.410 (D 2866 LF32)		Diesel		11967	301	410	05.04-	■	■
26.410 (D 2866 LF28)		Diesel		11967	301	410	12.00-	■	■
26.410 (D 2866 LF32)		Diesel		11967	301	410	12.00-	■	■
26.410 (D 2866 LF28)		Diesel		11967	301	410	02.02-	■	■
26.410 (D 2866 LF28)		Diesel		11967	301	410	06.01-	■	■
26.410 (D 2866 LF32)		Diesel		11967	301	410	06.01-	■	■
26.410 (D 2866 LF28)		Diesel		11967	301	410	07.05-	■	■
26.410 (D 2866 LF32)		Diesel		11967	301	410	07.05-	■	■
28.410 (D 2866 LF28)		Diesel		11967	301	410	09.02-	■	■
33.410 (D 2866 LF28)		Diesel		11967	301	410	10.00-	■	■
33.410 (D 2866 LF32)		Diesel		11967	301	410	10.00-	■	■
33.410 (D 2866 LF28)		Diesel		11967	301	410	09.02-	■	■
33.410 (D 2866 LF32)		Diesel		11967	301	410	09.02-	■	■
40.410 (D 2866 LF28)		Diesel		11967	301	410	04.04-	■	■
40.410 (D 2866 LF32)		Diesel		11967	301	410	04.04-	■	■
40.410 (D 2866 LF28)		Diesel		11967	301	410	04.04-	■	■
40.410 (D 2866 LF32)		Diesel		11967	301	410	04.04-	■	■
19.440 (D 2676 LF 04)		Diesel		12419	324	440	02.06-03.11	■	■
26.440 (D 2676 LF 04)		Diesel		12419	324	440	02.06-	■	■
27.440 (D 2676 LF 04)		Diesel		12419	324	440	10.08-	■	■
33.440 (D 2676 LF 04)		Diesel		12419	324	440	06.05-	■	■
40.440 (D 2676 LF 04)		Diesel		12419	324	440	06.05-	■	■
40.440 (D 2676 LF 04)		Diesel		12419	324	440	06.05-	■	■
18.480 (D 2676 LF 05)		Diesel		12419	353	480	01.06-	■	■
18.480 (D 2676 LF 14)		Diesel		12419	353	480	01.06-	■	■

# LISTA DE APLICACIONES - BUYERS GUIDE

19.480 (D 2676 LF 02)		Diesel		12419	353	480	02.06-	■	■
19.480 (D 2676 LF 03)		Diesel		12419	353	480	02.06-	■	■
19.480 (D 2676 LF 02)		Diesel		12419	353	480	02.06-	■	■
19.480 (D 2676 LF 03)		Diesel		12419	353	480	02.06-	■	■
24.480 (D 2676 LF 01)		Diesel		12419	353	480	01.06-	■	■
24.480 (D 2676 LF 12)		Diesel		12419	353	480	01.06-	■	■
26.480 (D 2676 LF 01)		Diesel		12419	353	480	02.06-	■	■
26.480 (D 2676 LF 02)		Diesel		12419	353	480	02.06-	■	■
26.480 (D 2676 LF 03)		Diesel		12419	353	480	02.06-	■	■
26.480 (D 2676 LF 05)		Diesel		12419	353	480	02.06-	■	■
26.480 (D 2676 LF 01)		Diesel		12419	353	480	02.06-	■	■
26.480 (D 2676 LF 02)		Diesel		12419	353	480	02.06-	■	■
26.480 (D 2676 LF 05)		Diesel		12419	353	480	02.06-	■	■
26.480 (D 2676 LF 12)		Diesel		12419	353	480	02.06-	■	■
26.480 (D 2676 LF 01)		Diesel		12419	353	480	02.06-	■	■
28.480 (D 2676 LF 02)		Diesel		12419	353	480	02.06-	■	■
28.480 (D 2676 LF 05)		Diesel		12419	353	480	02.06-	■	■
28.480 (D 2676 LF 14)		Diesel		12419	353	480	02.06-	■	■
33.480 (D 2676 LF 01)		Diesel		12419	353	480	01.06-	■	■
33.480 (D 2676 LF 02)		Diesel		12419	353	480	01.06-	■	■
33.480 (D 2676 LF 03)		Diesel		12419	353	480	01.06-	■	■
33.480 (D 2676 LF 05)		Diesel		12419	353	480	01.06-	■	■
33.480 (D 2676 LF 01)		Diesel		12419	353	480	02.06-	■	■
33.480 (D 2676 LF 02)		Diesel		12419	353	480	02.06-	■	■
33.480 (D 2676 LF 03)		Diesel		12419	353	480	02.06-	■	■
33.480 (D 2676 LF 05)		Diesel		12419	353	480	02.06-	■	■
40.480 (D 2676 LF 02)		Diesel		12419	353	480	06.05-	■	■
40.480 (D 2676 LF 03)		Diesel		12419	353	480	06.05-	■	■
40.480 (D 2676 LF 02)		Diesel		12419	353	480	06.05-	■	■
40.480 (D 2676 LF 03)		Diesel		12419	353	480	06.05-	■	■
40.480 (D 2676 LF 12)		Diesel		12419	353	480	06.05-	■	■
18.540 (D 2676 LF 13)		Diesel		12419	397	540	08.06-	■	■
28.540 (D 2676 LF 13)		Diesel		12419	397	540	08.06-	■	■
41.540 (D 2676 LF 13)		Diesel		12419	397	540	11.06-	■	■
18.460 (D 2876 LF 04)		Diesel		12816	338	460	04.00-	■	■
18.460 (D 2876 LF 07)		Diesel		12816	338	460	04.00-	■	■
19.460 (D 2876 LF 07)		Diesel		12816	338	460	05.04-	■	■
26.460 (D 2876 LF 04)		Diesel		12816	338	460	12.00-	■	■
26.460 (D 2876 LF 07)		Diesel		12816	338	460	12.00-	■	■
26.460 (D 2876 LF 04)		Diesel		12816	338	460	06.01-	■	■
26.460 (D 2876 LF 07)		Diesel		12816	338	460	06.01-	■	■
26.460		Diesel		12816	338	460	12.00-	■	
28.460 (D 2876 LF 04)		Diesel		12816	338	460	09.02-	■	■
33.460 (D 2876 LF 04)		Diesel		12816	338	460	09.02-	■	■
33.460 (D 2876 LF 07)		Diesel		12816	338	460	09.02-	■	■
33.460 (D 2876 LF 07)		Diesel		12816	338	460	09.02-	■	■
40.460 (D 2876 LF 07)		Diesel		12816	338	460	04.04-	■	■
40.460 (D 2876 LF 07)		Diesel		12816	338	460	04.04-	■	■
18.480 (D 2876 LF 12)		Diesel		12816	353	480	09.02-	■	■
18.480 (D 2876 LF 25)		Diesel		12816	353	480	09.02-	■	■
18.480 (D 2876 LF 12)		Diesel		12816	353	480	09.02-	■	■

# LISTA DE APLICACIONES - BUYERS GUIDE

19.480 (D 2876 LF 25)		Diesel		12816	353	480	05.04-	■	■
24.480 (D 2876 LF 12)		Diesel		12816	353	480	07.05-	■	■
26.480 (D 2876 LF 12)		Diesel		12816	353	480	09.02-	■	■
26.480 (D 2876 LF 12)		Diesel		12816	353	480	09.02-	■	■
26.480 (D 2876 LF 25)		Diesel		12816	353	480	09.02-	■	■
26.480 (D 2876 LF 12)		Diesel		12816	353	480	09.02-	■	■
26.480		Diesel		12816	353	480	09.02-	■	
28.480 (D 2876 LF 12)		Diesel		12816	353	480	09.02-	■	■
33.480 (D 2876 LF 12)		Diesel		12816	353	480	09.02-	■	■
33.480 (D 2876 LF 25)		Diesel		12816	353	480	09.02-	■	■
33.480 (D 2876 LF 12)		Diesel		12816	353	480	09.02-	■	■
33.480 (D 2876 LF 25)		Diesel		12816	353	480	09.02-	■	■
35.480 (D 2876 LF 12)		Diesel		12816	353	480	07.06-	■	■
40.480 (D 2876 LF 12)		Diesel		12816	353	480	04.04-	■	■
40.480 (D 2876 LF 25)		Diesel		12816	353	480	04.04-	■	■
40.480 (D 2876 LF 12)		Diesel		12816	353	480	04.04-	■	■
40.480 (D 2876 LF 25)		Diesel		12816	353	480	04.04-	■	■
41.480 (D 2876 LF 12)		Diesel		12816	353	480	07.06-	■	■
18.510 (D 2876 LF 05)		Diesel		12816	375	510	04.00-	■	■
26.510 (D 2876 LF 05)		Diesel		12816	375	510	12.00-	■	■
26.510 (D 2876 LF 05)		Diesel		12816	375	510	01.01-	■	■
26.510		Diesel		12816	375	510	12.00-	■	
28.510 (D 2876 LF 05)		Diesel		12816	375	510	09.02-	■	■
33.510 (D 2876 LF 05)		Diesel		12816	375	510	09.02-	■	■
18.530 (D 2876 LF 13)		Diesel		12816	390	530	09.02-	■	■
18.530 (D 2876 LF 13)		Diesel		12816	390	530	04.04-	■	■
24.530 (D 2876 LF 13)		Diesel		12816	390	530	07.05-	■	■
26.530 (D 2876 LF 13)		Diesel		12816	390	530	09.02-	■	■
26.530 (D 2876 LF 13)		Diesel		12816	390	530	01.01-	■	■
26.530 (D 2876 LF 13)		Diesel		12816	390	530	07.06-	■	■
26.530		Diesel		12816	390	530	09.02-	■	
28.530 (D 2876 LF 13)		Diesel		12816	390	530	09.02-	■	■
33.530 (D 2876 LF 13)		Diesel		12816	390	530	09.02-	■	■
33.530 (D 2876 LF 13)		Diesel		12816	390	530	07.03-	■	■
37.530 (D 2876 LF 13)		Diesel		12816	390	530	07.06-	■	■
41.530 (D 2876 LF 13)		Diesel		12816	390	530	09.02-	■	■
41.660 (D 2840 LF25)		Diesel		18273	485	660	09.02-	■	■
<b>TGM 05.05-</b>							<b>Concrete Mixer</b>		
26.280 (D 0836 LFL 51)		Diesel		6871	206	280	04.06-03.22	■	■
26.280 (D 0836 LFL 54)		Diesel		6871	206	280	04.06-03.22	■	■
26.290 (D 0836 LFL 64)		Diesel		6871	213	290	07.08-03.22	■	■
26.320		Diesel		6871	235	320	12.17-03.22	■	■
26.330 (D 0836 LFL 52)		Diesel		6871	240	326	04.06-03.22	■	■
26.330 (D 0836 LFL 55)		Diesel		6871	240	326	04.06-03.22	■	■
26.340 (D 0836 LFL 65)		Diesel		6871	250	340	07.08-03.22	■	■
<b>TGM 05.05-</b>							<b>Dump Truck</b>		
15.240 (D 0836 LFL 40)		Diesel		6871	176	240	10.05-03.22	■	■
15.240 (D 0836 LFL 53)		Diesel		6871	176	240	10.05-03.22	■	■
18.240 (D 0836 LFL 40)		Diesel		6871	176	240	10.05-03.22	■	■
18.240 (D 0836 LFL 53)		Diesel		6871	176	240	10.05-03.22	■	■
18.240 (D 0836 LFL 40)		Diesel		6871	176	240	05.06-03.22	■	■

# LISTA DE APLICACIONES - BUYERS GUIDE

18.240 (D 0836 LFL 53)		Diesel		6871	176	240	05.06-03.22	■	■
13.250 (D 0836 LFL 63)		Diesel		6871	184	250	10.05-03.22	■	■
15.250 (D 0836 LFL 63)		Diesel		6871	184	250	10.05-03.22	■	■
18.250 (D 0836 LFL 63)		Diesel		6871	184	250	10.05-03.22	■	■
18.250 (D 0836 LFL 63)		Diesel		6871	184	250	10.05-03.22	■	■
15.280 (D 0836 LFL 41)		Diesel		6871	206	280	10.05-03.22	■	■
15.280 (D 0836 LFL 54)		Diesel		6871	206	280	10.05-03.22	■	■
18.280 (D 0836 LFL 41)		Diesel		6871	206	280	10.05-03.22	■	■
18.280 (D 0836 LFL 54)		Diesel		6871	206	280	10.05-03.22	■	■
18.280 (D 0836 LFL 41)		Diesel		6871	206	280	10.05-03.22	■	■
18.280 (D 0836 LFL 54)		Diesel		6871	206	280	10.05-03.22	■	■
26.280 (D 0836 LFL 51)		Diesel		6871	206	280	04.06-03.22	■	■
26.280 (D 0836 LFL 54)		Diesel		6871	206	280	04.06-03.22	■	■
13.290 (D 0836 LFL 64)		Diesel		6871	213	290	10.05-03.22	■	■
15.290 (D 0836 LFL 64)		Diesel		6871	213	290	10.05-03.22	■	■
18.290 (D 0836 LFL 64)		Diesel		6871	213	290	10.05-03.22	■	■
18.290 (D 0836 LFL 64)		Diesel		6871	213	290	10.05-03.22	■	■
26.290 (D 0836 LFL 64)		Diesel		6871	213	290	10.05-03.22	■	■
15.320		Diesel		6871	235	320	12.17-03.22	■	■
18.320		Diesel		6871	235	320	12.17-03.22	■	■
26.320		Diesel		6871	235	320	12.17-03.22	■	■
15.330 (D 0836 LFL 44)		Diesel		6871	240	326	10.05-03.22	■	■
15.330 (D 0836 LFL 55)		Diesel		6871	240	326	10.05-03.22	■	■
18.330 (D 0836 LFL 44)		Diesel		6871	240	326	10.05-03.22	■	■
18.330 (D 0836 LFL 55)		Diesel		6871	240	326	10.05-03.22	■	■
18.330 (D 0836 LFL 44)		Diesel		6871	240	326	10.05-03.22	■	■
18.330 (D 0836 LFL 55)		Diesel		6871	240	326	10.05-03.22	■	■
26.330 (D 0836 LFL 52)		Diesel		6871	240	326	04.06-03.22	■	■
26.330 (D 0836 LFL 55)		Diesel		6871	240	326	04.06-03.22	■	■
15.340 (D 0836 LFL 65)		Diesel		6871	250	340	10.05-03.22	■	■
18.340 (D 0836 LFL 65)		Diesel		6871	250	340	10.05-03.22	■	■
18.340 (D 0836 LFL 65)		Diesel		6871	250	340	10.05-03.22	■	■
26.340 (D 0836 LFL 65)		Diesel		6871	250	340	10.05-03.22	■	■
<b>TGM 05.05-</b>							<b>Municipal Vehicle</b>		
18.250		Diesel		6871	184	250	04.08-03.22	■	■
18.290		Diesel		6871	213	290	04.08-03.22	■	■
26.290		Diesel		6871	213	290	04.08-03.22	■	■
15.340		Diesel		6871	250	340	04.08-03.22	■	■
18.340		Diesel		6871	250	340	04.08-03.22	■	■
26.340		Diesel		6871	250	340	04.08-03.22	■	■
15.340		Diesel		6871	251	341	08.12-03.22	■	■
18.340		Diesel		6871	251	341	08.12-03.22	■	■
26.340		Diesel		6871	251	341	08.12-03.22	■	■
<b>TGM 05.05-</b>							<b>Platform/Chassis</b>		
15.240 (D 0836 LFL 40)		Diesel		6871	176	240	10.05-03.22	■	■
15.240 (D 0836 LFL 50)		Diesel		6871	176	240	10.05-03.22	■	■
15.240 (D 0836 LFL 53)		Diesel		6871	176	240	10.05-03.22	■	■
18.240 (D 0836 LFL 40)		Diesel		6871	176	240	10.05-03.22	■	■
18.240 (D 0836 LFL 53)		Diesel		6871	176	240	10.05-03.22	■	■
18.240 (D 0836 LFL 40)		Diesel		6871	176	240	10.05-03.22	■	■
18.240 (D 0836 LFL 53)		Diesel		6871	176	240	10.05-03.22	■	■

# LISTA DE APLICACIONES - BUYERS GUIDE

22.240 (D 0836 LFL 53)		Diesel		6871	176	240	10.05-03.22	■	■
12.250 (D 0836 LFL 63)		Diesel		6871	184	250	10.05-03.22	■	■
13.250 (D 0836 LFL 63)		Diesel		6871	184	250	10.05-03.22	■	■
15.250 (D 0836 LFL 63)		Diesel		6871	184	250	10.05-03.22	■	■
18.250 (D 0836 LFL 63)		Diesel		6871	184	250	10.05-03.22	■	■
18.250 (D 0836 LFL 63)		Diesel		6871	184	250	10.05-03.22	■	■
22.250 (D 0836 LFL 63)		Diesel		6871	184	250	10.05-03.22	■	■
15.280 (D 0836 LFL 41)		Diesel		6871	206	280	10.05-03.22	■	■
15.280 (D 0836 LFL 51)		Diesel		6871	206	280	10.05-03.22	■	■
15.280 (D 0836 LFL 54)		Diesel		6871	206	280	10.05-03.22	■	■
18.280 (D 0836 LFL 41)		Diesel		6871	206	280	10.05-03.22	■	■
18.280 (D 0836 LFL 54)		Diesel		6871	206	280	10.05-03.22	■	■
18.280 (D 0836 LFL 41)		Diesel		6871	206	280	10.05-03.22	■	■
18.280 (D 0836 LFL 51)		Diesel		6871	206	280	10.05-03.22	■	■
18.280 (D 0836 LFL 54)		Diesel		6871	206	280	10.05-03.22	■	■
22.280 (D 0836 LFL 54)		Diesel		6871	206	280	10.05-03.22	■	■
26.280 (D 0836 LFL 54)		Diesel		6871	206	280	10.05-03.22	■	■
26.280 (D 0836 LFL 54)		Diesel		6871	206	280	10.05-03.22	■	■
12.290 (D 0836 LFL 64)		Diesel		6871	213	290	10.05-03.22	■	■
13.290 (D 0836 LFL 64)		Diesel		6871	213	290	10.05-03.22	■	■
15.290 (D 0836 LFL 64)		Diesel		6871	213	290	10.05-03.22	■	■
18.290 (D 0836 LFL 64)		Diesel		6871	213	290	10.05-03.22	■	■
18.290 (D 0836 LFL 64)		Diesel		6871	213	290	10.05-03.22	■	■
22.290 (D 0836 LFL 64)		Diesel		6871	213	290	10.05-03.22	■	■
26.290 (D 0836 LFL 64)		Diesel		6871	213	290	10.05-03.22	■	■
26.290 (D 0836 LFL 64)		Diesel		6871	213	290	10.05-03.22	■	■
15.320		Diesel		6871	235	320	12.17-03.22	■	■
18.320		Diesel		6871	235	320	12.17-03.22	■	■
15.330 (D 0836 LFL 44)		Diesel		6871	240	326	10.05-03.22	■	■
15.330 (D 0836 LFL 55)		Diesel		6871	240	326	10.05-03.22	■	■
18.330 (D 0836 LFL 44)		Diesel		6871	240	326	10.05-03.22	■	■
18.330 (D 0836 LFL 55)		Diesel		6871	240	326	10.05-03.22	■	■
18.330 (D 0836 LFL 44)		Diesel		6871	240	326	10.05-03.22	■	■
18.330 (D 0836 LFL 52)		Diesel		6871	240	326	10.05-03.22	■	■
18.330 (D 0836 LFL 55)		Diesel		6871	240	326	10.05-03.22	■	■
26.330 (D 0836 LFL 55)		Diesel		6871	240	326	10.05-03.22	■	■
26.330 (D 0836 LFL 55)		Diesel		6871	240	326	10.05-03.22	■	■
15.340 (D 0836 LFL 65)		Diesel		6871	250	340	10.05-03.22	■	■
18.340 (D 0836 LFL 65)		Diesel		6871	250	340	10.05-03.22	■	■
18.340 (D 0836 LFL 65)		Diesel		6871	250	340	10.05-03.22	■	■
26.340 (D 0836 LFL 65)		Diesel		6871	250	340	10.05-03.22	■	■
26.340 (D 0836 LFL 65)		Diesel		6871	250	340	10.05-03.22	■	■
26.340		Diesel		6871	251	341	08.12-03.22	■	■
<b>TGM II 02.20-</b>							<b>Concrete Mixer</b>		
26.250		Diesel		6871	184	250	02.20-	■	■
26.290		Diesel		6871	213	290	02.20-	■	■
26.340		Diesel		6871	251	341	02.20-	■	■
<b>TGM II 02.20-</b>							<b>Dump Truck</b>		
15.250		Diesel		6871	184	250	02.20-	■	■
18.250		Diesel		6871	184	250	02.20-	■	■
26.250		Diesel		6871	184	250	02.20-	■	■

# LISTA DE APLICACIONES - BUYERS GUIDE

15.290		Diesel		6871	213	290	02.20-	■	■
18.290		Diesel		6871	213	290	02.20-	■	■
26.290		Diesel		6871	213	290	02.20-	■	■
15.340		Diesel		6871	251	341	02.20-	■	■
18.340		Diesel		6871	251	341	02.20-	■	■
26.340		Diesel		6871	251	341	02.20-	■	■
15.430		Diesel		12419	316	430	02.20-	■	■
18.430		Diesel		12419	316	430	02.20-	■	■
15.470		Diesel		12419	346	470	02.20-	■	■
18.470		Diesel		12419	346	470	02.20-	■	■
15.510		Diesel		12419	375	510	02.20-	■	■
18.510		Diesel		12419	375	510	02.20-	■	■
<b>TGM II 02.20-</b>				<b>Platform/Chassis</b>					
18.250		Diesel		6871	184	250	02.20-	■	■
26.250		Diesel		6871	184	250	02.20-	■	■
18.290		Diesel		6871	213	290	02.20-	■	■
26.290		Diesel		6871	213	290	02.20-	■	■
18.340		Diesel		6871	251	341	02.20-	■	■
26.340		Diesel		6871	251	341	02.20-	■	■
15.430		Diesel		12419	316	430	02.20-	■	■
18.430		Diesel		12419	316	430	02.20-	■	■
15.470		Diesel		12419	346	470	02.20-	■	■
18.470		Diesel		12419	346	470	02.20-	■	■
15.510		Diesel		12419	375	510	02.20-	■	■
18.510		Diesel		12419	375	510	02.20-	■	■
<b>TGS 01.05-</b>				<b>Concrete Mixer</b>					
26.330		Diesel		9037	243	330	01.19-09.21	■	■
32.330		Diesel		9037	243	330	01.19-09.21	■	■
35.330		Diesel		9037	243	330	01.19-09.21	■	■
37.330		Diesel		9037	243	330	01.19-09.21	■	■
41.330		Diesel		9037	243	330	01.19-09.21	■	■
26.360		Diesel		9037	265	360	01.19-09.21	■	■
32.360		Diesel		9037	265	360	01.19-09.21	■	■
35.360		Diesel		9037	265	360	01.19-09.21	■	■
37.360		Diesel		9037	265	360	01.19-09.21	■	■
41.360		Diesel		9037	265	360	01.19-09.21	■	■
26.400		Diesel		9037	294	400	01.19-09.21	■	■
32.400		Diesel		9037	294	400	01.19-09.21	■	■
35.400		Diesel		9037	294	400	01.19-09.21	■	■
37.400		Diesel		9037	294	400	01.19-09.21	■	■
41.400		Diesel		9037	294	400	01.19-09.21	■	■
26.320 (D 2066 LF 39)		Diesel		10518	235	320	07.08-09.21	■	■
26.320 (D 2066 LF 43)		Diesel		10518	235	320	07.08-09.21	■	■
32.320 (D 2066 LF 43)		Diesel		10518	235	320	02.09-09.21	■	■
33.320		Diesel		10518	235	320	05.09-09.21	■	■
35.320 (D 2066 LF 28)		Diesel		10518	235	320	10.07-09.21	■	■
35.320 (D 2066 LF 39)		Diesel		10518	235	320	10.07-09.21	■	■
35.320 (D 2066 LF 43)		Diesel		10518	235	320	10.07-09.21	■	■
37.320 (D 2066 LF 28)		Diesel		10518	235	320	10.07-09.21	■	■
37.320 (D 2066 LF 39)		Diesel		10518	235	320	10.07-09.21	■	■
37.320 (D 2066 LF 43)		Diesel		10518	235	320	10.07-09.21	■	■

# LISTA DE APLICACIONES - BUYERS GUIDE

26.360 (D 2066 LF 38)		Diesel		10518	265	360	07.08-09.21	■	■
26.360 (D 2066 LF 42)		Diesel		10518	265	360	07.08-09.21	■	■
32.360 (D 2066 LF 27)		Diesel		10518	265	360	10.07-09.21	■	■
32.360 (D 2066 LF 38)		Diesel		10518	265	360	10.07-09.21	■	■
32.360 (D 2066 LF 42)		Diesel		10518	265	360	10.07-09.21	■	■
33.360 (D 2066 LF 07)		Diesel		10518	265	360	06.08-09.21	■	
33.360 (D 2066 LF 48)		Diesel		10518	265	360	06.08-09.21	■	
33.360 (D 2066 LF 64)		Diesel		10518	265	360	06.08-09.21	■	
35.360 (D 2066 LF 27)		Diesel		10518	265	360	10.07-09.21	■	■
35.360 (D 2066 LF 38)		Diesel		10518	265	360	10.07-09.21	■	■
35.360 (D 2066 LF 42)		Diesel		10518	265	360	10.07-09.21	■	■
37.360 (D 2066 LF 27)		Diesel		10518	265	360	10.07-09.21	■	■
37.360 (D 2066 LF 38)		Diesel		10518	265	360	10.07-09.21	■	■
37.360 (D 2066 LF 42)		Diesel		10518	265	360	10.07-09.21	■	■
41.360 (D 2066 LF 27)		Diesel		10518	265	360	10.07-09.21	■	■
41.360 (D 2066 LF 38)		Diesel		10518	265	360	10.07-09.21	■	■
41.360 (D 2066 LF 42)		Diesel		10518	265	360	10.07-09.21	■	■
26.400 (D 2066 LF 37)		Diesel		10518	294	400	07.08-09.21	■	■
26.400 (D 2066 LF 41)		Diesel		10518	294	400	07.08-09.21	■	■
32.400 (D 2066 LF 26)		Diesel		10518	294	400	10.07-09.21	■	■
32.400 (D 2066 LF 37)		Diesel		10518	294	400	10.07-09.21	■	■
32.400 (D 2066 LF 41)		Diesel		10518	294	400	10.07-09.21	■	■
35.400 (D 2066 LF 26)		Diesel		10518	294	400	10.07-09.21	■	■
35.400 (D 2066 LF 37)		Diesel		10518	294	400	10.07-09.21	■	■
35.400 (D 2066 LF 41)		Diesel		10518	294	400	10.07-09.21	■	■
37.400 (D 2066 LF 26)		Diesel		10518	294	400	10.07-09.21	■	■
37.400 (D 2066 LF 37)		Diesel		10518	294	400	10.07-09.21	■	■
37.400 (D 2066 LF 41)		Diesel		10518	294	400	10.07-09.21	■	■
41.400 (D 2066 LF 26)		Diesel		10518	294	400	10.07-09.21	■	■
41.400 (D 2066 LF 37)		Diesel		10518	294	400	10.07-09.21	■	■
41.400 (D 2066 LF 41)		Diesel		10518	294	400	10.07-09.21	■	■
26.440 (D 2066 LF 36)		Diesel		10518	324	440	07.08-09.21	■	■
26.440 (D 2066 LF 40)		Diesel		10518	324	440	07.08-09.21	■	■
32.440 (D 2066 LF 25)		Diesel		10518	324	440	10.07-09.21	■	■
32.440 (D 2066 LF 36)		Diesel		10518	324	440	10.07-09.21	■	■
32.440 (D 2066 LF 40)		Diesel		10518	324	440	10.07-09.21	■	■
35.440 (D 2066 LF 25)		Diesel		10518	324	440	10.07-09.21	■	■
35.440 (D 2066 LF 36)		Diesel		10518	324	440	10.07-09.21	■	■
35.440 (D 2066 LF 40)		Diesel		10518	324	440	10.07-09.21	■	■
37.440 (D 2066 LF 25)		Diesel		10518	324	440	10.07-09.21	■	■
37.440 (D 2066 LF 36)		Diesel		10518	324	440	10.07-09.21	■	■
37.440 (D 2066 LF 40)		Diesel		10518	324	440	10.07-09.21	■	■
41.440 (D 2066 LF 25)		Diesel		10518	324	440	10.07-09.21	■	■
41.440 (D 2066 LF 36)		Diesel		10518	324	440	10.07-09.21	■	■
41.440 (D 2066 LF 40)		Diesel		10518	324	440	10.07-09.21	■	■
26.400		Diesel		12419	294	400	08.12-09.21	■	■
32.400		Diesel		12419	294	400	08.12-09.21	■	■
35.400		Diesel		12419	294	400	08.12-09.21	■	■
37.400		Diesel		12419	294	400	08.12-09.21	■	■
41.400		Diesel		12419	294	400	08.12-09.21	■	■
26.420		Diesel		12419	309	420	09.16-09.21	■	

## LISTA DE APLICACIONES - BUYERS GUIDE

32.420		Diesel		12419	309	420	09.16-09.21	■	
35.420		Diesel		12419	309	420	09.16-09.21	■	
37.420		Diesel		12419	309	420	09.16-09.21	■	
41.420		Diesel		12419	309	420	09.16-09.21	■	
26.430		Diesel		12419	316	430	01.19-09.21	■	■
32.430		Diesel		12419	316	430	01.19-09.21	■	■
35.430		Diesel		12419	316	430	01.19-09.21	■	■
37.430		Diesel		12419	316	430	01.19-09.21	■	■
41.430		Diesel		12419	316	430	01.19-09.21	■	■
26.460		Diesel		12419	338	460	09.16-09.21	■	
32.460		Diesel		12419	338	460	09.16-09.21	■	
35.460		Diesel		12419	338	460	09.16-09.21	■	
37.460		Diesel		12419	338	460	09.16-09.21	■	
41.460		Diesel		12419	338	460	09.16-09.21	■	
26.470		Diesel		12419	346	470	01.19-09.21	■	■
32.470		Diesel		12419	346	470	01.19-09.21	■	■
35.470		Diesel		12419	346	470	01.19-09.21	■	■
37.470		Diesel		12419	346	470	01.19-09.21	■	■
41.470		Diesel		12419	346	470	01.19-09.21	■	■
32.480 (D 2676 LF 05)		Diesel		12419	353	480	08.08-09.21	■	■
32.480 (D 2676 LF 07)		Diesel		12419	353	480	08.08-09.21	■	■
35.480 (D 2676 LF 05)		Diesel		12419	353	480	10.07-09.21	■	■
35.480 (D 2676 LF 07)		Diesel		12419	353	480	10.07-09.21	■	■
35.480 (D 2676 LF 14)		Diesel		12419	353	480	10.07-09.21	■	■
37.480 (D 2676 LF 05)		Diesel		12419	353	480	10.07-09.21	■	■
37.480 (D 2676 LF 07)		Diesel		12419	353	480	10.07-09.21	■	■
37.480 (D 2676 LF 14)		Diesel		12419	353	480	10.07-09.21	■	■
41.480 (D 2676 LF 05)		Diesel		12419	353	480	10.07-09.21	■	■
41.480 (D 2676 LF 07)		Diesel		12419	353	480	10.07-09.21	■	■
41.480 (D 2676 LF 14)		Diesel		12419	353	480	10.07-09.21	■	■
26.500		Diesel		12419	368	500	09.16-09.21	■	
32.500		Diesel		12419	368	500	09.16-09.21	■	
35.500		Diesel		12419	368	500	09.16-09.21	■	
37.500		Diesel		12419	368	500	09.16-09.21	■	
41.500		Diesel		12419	368	500	09.16-09.21	■	
26.510		Diesel		12419	375	510	01.19-09.21	■	■
32.510		Diesel		12419	375	510	01.19-09.21	■	■
35.510		Diesel		12419	375	510	01.19-09.21	■	■
37.510		Diesel		12419	375	510	01.19-09.21	■	■
41.510		Diesel		12419	375	510	01.19-09.21	■	■
26.540		Diesel		12419	397	540	07.06-09.21	■	■
33.540		Diesel		12419	397	540	05.09-09.21	■	■
35.540 (D 2676 LF 06)		Diesel		12419	397	540	10.07-09.21	■	■
35.540 (D 2676 LF 13)		Diesel		12419	397	540	10.07-09.21	■	■
37.540 (D 2676 LF 06)		Diesel		12419	397	540	10.07-09.21	■	■
37.540 (D 2676 LF 13)		Diesel		12419	397	540	10.07-09.21	■	■
41.540 (D 2676 LF 06)		Diesel		12419	397	540	10.07-09.21	■	■
41.540 (D 2676 LF 13)		Diesel		12419	397	540	10.07-09.21	■	■
<b>TGS 01.05-</b>					<b>Dump Truck</b>				
18.330		Diesel		9037	243	330	01.19-09.21	■	■
18.330		Diesel		9037	243	330	01.19-09.21	■	■

# LISTA DE APLICACIONES - BUYERS GUIDE

26.330		Diesel		9037	243	330	01.19-09.21	■	■
26.330		Diesel		9037	243	330	01.19-09.21	■	■
28.330		Diesel		9037	243	330	01.19-09.21	■	■
32.330		Diesel		9037	243	330	01.19-09.21	■	■
33.330		Diesel		9037	243	330	01.19-09.21	■	■
33.330		Diesel		9037	243	330	01.19-09.21	■	■
35.330		Diesel		9037	243	330	01.19-09.21	■	■
35.330		Diesel		9037	243	330	01.19-09.21	■	■
35.330		Diesel		9037	243	330	01.19-09.21	■	■
37.330		Diesel		9037	243	330	01.19-09.21	■	■
41.330		Diesel		9037	243	330	01.19-09.21	■	■
41.330		Diesel		9037	243	330	01.19-09.21	■	■
41.330		Diesel		9037	243	330	01.19-09.21	■	■
18.360		Diesel		9037	265	360	01.19-09.21	■	■
18.360		Diesel		9037	265	360	01.19-09.21	■	■
26.360		Diesel		9037	265	360	01.19-09.21	■	■
26.360		Diesel		9037	265	360	01.19-09.21	■	■
28.360		Diesel		9037	265	360	01.19-09.21	■	■
32.360		Diesel		9037	265	360	01.19-09.21	■	■
33.360		Diesel		9037	265	360	01.19-09.21	■	■
33.360		Diesel		9037	265	360	01.19-09.21	■	■
35.360		Diesel		9037	265	360	01.19-09.21	■	■
35.360		Diesel		9037	265	360	01.19-09.21	■	■
35.360		Diesel		9037	265	360	01.19-09.21	■	■
37.360		Diesel		9037	265	360	01.19-09.21	■	■
41.360		Diesel		9037	265	360	01.19-09.21	■	■
41.360		Diesel		9037	265	360	01.19-09.21	■	■
41.360		Diesel		9037	265	360	01.19-09.21	■	■
18.400		Diesel		9037	294	400	01.19-09.21	■	■
18.400		Diesel		9037	294	400	01.19-09.21	■	■
26.400		Diesel		9037	294	400	01.19-09.21	■	■
26.400		Diesel		9037	294	400	01.19-09.21	■	■
28.400		Diesel		9037	294	400	01.19-09.21	■	■
32.400		Diesel		9037	294	400	01.19-09.21	■	■
33.400		Diesel		9037	294	400	01.19-09.21	■	■
33.400		Diesel		9037	294	400	01.19-09.21	■	■
35.400		Diesel		9037	294	400	01.19-09.21	■	■
35.400		Diesel		9037	294	400	01.19-09.21	■	■
35.400		Diesel		9037	294	400	01.19-09.21	■	■
37.400		Diesel		9037	294	400	01.19-09.21	■	■
41.400		Diesel		9037	294	400	01.19-09.21	■	■
41.400		Diesel		9037	294	400	01.19-09.21	■	■
41.400		Diesel		9037	294	400	01.19-09.21	■	■
18.320 (D 2066 LF 39)		Diesel		10518	235	320	10.07-09.21	■	■
18.320 (D 2066 LF 43)		Diesel		10518	235	320	10.07-09.21	■	■
18.320 (D 2066 LF 28)		Diesel		10518	235	320	10.07-09.21	■	■
18.320 (D 2066 LF 39)		Diesel		10518	235	320	10.07-09.21	■	■
18.320 (D 2066 LF 43)		Diesel		10518	235	320	10.07-09.21	■	■
26.320 (D 2066 LF 39)		Diesel		10518	235	320	07.08-09.21	■	■
26.320 (D 2066 LF 43)		Diesel		10518	235	320	07.08-09.21	■	■
26.320 (D 2066 LF 39)		Diesel		10518	235	320	07.08-09.21	■	■

# LISTA DE APLICACIONES - BUYERS GUIDE

26.320 (D 2066 LF 43)		Diesel		10518	235	320	07.08-09.21	■	■
32.320		Diesel		10518	235	320	08.06-09.21	■	■
35.320 (D 2066 LF 39)		Diesel		10518	235	320	06.08-09.21	■	■
35.320 (D 2066 LF 43)		Diesel		10518	235	320	06.08-09.21	■	■
35.320 (D 2066 LF 39)		Diesel		10518	235	320	06.08-09.21	■	■
35.320 (D 2066 LF 43)		Diesel		10518	235	320	06.08-09.21	■	■
35.320 (D 2066 LF 39)		Diesel		10518	235	320	08.08-09.21	■	■
35.320 (D 2066 LF 43)		Diesel		10518	235	320	08.08-09.21	■	■
37.320 (D 2066 LF 39)		Diesel		10518	235	320	07.08-09.21	■	■
37.320 (D 2066 LF 43)		Diesel		10518	235	320	07.08-09.21	■	■
40.320		Diesel		10518	235	320	05.09-09.21	■	■
41.320 (D 2066 LF 39)		Diesel		10518	235	320	06.08-09.21	■	■
41.320 (D 2066 LF 43)		Diesel		10518	235	320	06.08-09.21	■	■
41.320 (D 2066 LF 39)		Diesel		10518	235	320	06.08-09.21	■	■
41.320 (D 2066 LF 43)		Diesel		10518	235	320	06.08-09.21	■	■
18.360 (D 2066 LF 38)		Diesel		10518	265	360	10.07-09.21	■	■
18.360 (D 2066 LF 42)		Diesel		10518	265	360	10.07-09.21	■	■
18.360 (D 2066 LF 27)		Diesel		10518	265	360	10.07-09.21	■	■
18.360 (D 2066 LF 38)		Diesel		10518	265	360	10.07-09.21	■	■
18.360 (D 2066 LF 42)		Diesel		10518	265	360	10.07-09.21	■	■
26.360 (D 2066 LF 38)		Diesel		10518	265	360	08.08-09.21	■	■
26.360 (D 2066 LF 42)		Diesel		10518	265	360	08.08-09.21	■	■
26.360 (D 2066 LF 38)		Diesel		10518	265	360	08.08-09.21	■	■
26.360 (D 2066 LF 42)		Diesel		10518	265	360	08.08-09.21	■	■
28.360 (D 2066 LF 38)		Diesel		10518	265	360	08.08-09.21	■	■
32.360		Diesel		10518	265	360	08.06-09.21	■	■
33.360 (D 2066 LF 38)		Diesel		10518	265	360	02.09-09.21	■	■
33.360 (D 2066 LF 42)		Diesel		10518	265	360	02.09-09.21	■	■
33.360 (D 2066 LF 27)		Diesel		10518	265	360	10.07-09.21	■	■
33.360 (D 2066 LF 42)		Diesel		10518	265	360	10.07-09.21	■	■
35.360 (D 2066 LF 38)		Diesel		10518	265	360	06.08-09.21	■	■
35.360 (D 2066 LF 42)		Diesel		10518	265	360	06.08-09.21	■	■
35.360 (D 2066 LF 38)		Diesel		10518	265	360	08.08-09.21	■	■
35.360 (D 2066 LF 42)		Diesel		10518	265	360	08.08-09.21	■	■
37.360 (D 2066 LF 38)		Diesel		10518	265	360	07.08-09.21	■	■
37.360 (D 2066 LF 42)		Diesel		10518	265	360	07.08-09.21	■	■
41.360 (D 2066 LF 38)		Diesel		10518	265	360	07.08-09.21	■	■
18.400 (D 2066 LF 26)		Diesel		10518	294	400	10.07-09.21	■	■
18.400 (D 2066 LF 37)		Diesel		10518	294	400	10.07-09.21	■	■
18.400 (D 2066 LF 41)		Diesel		10518	294	400	10.07-09.21	■	■
18.400 (D 2066 LF 26)		Diesel		10518	294	400	10.07-09.21	■	■
18.400 (D 2066 LF 37)		Diesel		10518	294	400	10.07-09.21	■	■
18.400 (D 2066 LF 41)		Diesel		10518	294	400	10.07-09.21	■	■
26.400 (D 2066 LF 37)		Diesel		10518	294	400	02.09-09.21	■	■
26.400 (D 2066 LF 41)		Diesel		10518	294	400	02.09-09.21	■	■
28.400 (D 2066 LF 37)		Diesel		10518	294	400	08.08-09.21	■	■
32.400		Diesel		10518	294	400	08.06-09.21	■	■
33.400 (D 2066 LF 37)		Diesel		10518	294	400	07.08-09.21	■	■
33.400 (D 2066 LF 41)		Diesel		10518	294	400	07.08-09.21	■	■
33.400 (D 2066 LF 37)		Diesel		10518	294	400	07.08-09.21	■	■
33.400 (D 2066 LF 41)		Diesel		10518	294	400	07.08-09.21	■	■

# LISTA DE APLICACIONES - BUYERS GUIDE

35.400 (D 2066 LF 37)	Diesel	10518	294	400	06.08-09.21	■	■
35.400 (D 2066 LF 41)	Diesel	10518	294	400	06.08-09.21	■	■
35.400 (D 2066 LF 37)	Diesel	10518	294	400	06.08-09.21	■	■
35.400 (D 2066 LF 41)	Diesel	10518	294	400	06.08-09.21	■	■
35.400 (D 2066 LF 37)	Diesel	10518	294	400	08.08-09.21	■	■
35.400 (D 2066 LF 41)	Diesel	10518	294	400	08.08-09.21	■	■
37.400 (D 2066 LF 37)	Diesel	10518	294	400	07.08-09.21	■	■
37.400 (D 2066 LF 41)	Diesel	10518	294	400	07.08-09.21	■	■
40.400 (D 2066 LF 06)	Diesel	10518	294	400	02.11-09.21	■	■
40.400 (D 2066 LF 49)	Diesel	10518	294	400	02.11-09.21	■	■
40.400 (D 2066 LF 63)	Diesel	10518	294	400	02.11-09.21	■	■
41.400 (D 2066 LF 37)	Diesel	10518	294	400	07.08-09.21	■	■
41.400 (D 2066 LF 41)	Diesel	10518	294	400	07.08-09.21	■	■
18.440 (D 2066 LF 25)	Diesel	10518	324	440	10.07-09.21	■	■
18.440 (D 2066 LF 36)	Diesel	10518	324	440	10.07-09.21	■	■
18.440 (D 2066 LF 40)	Diesel	10518	324	440	10.07-09.21	■	■
18.440 (D 2066 LF 25)	Diesel	10518	324	440	10.07-09.21	■	■
18.440 (D 2066 LF 36)	Diesel	10518	324	440	10.07-09.21	■	■
18.440 (D 2066 LF 40)	Diesel	10518	324	440	10.07-09.21	■	■
26.440 (D 2066 LF 36)	Diesel	10518	324	440	07.08-09.21	■	■
26.440 (D 2066 LF 40)	Diesel	10518	324	440	07.08-09.21	■	■
26.440 (D 2066 LF 36)	Diesel	10518	324	440	11.07-09.21	■	■
26.440 (D 2066 LF 40)	Diesel	10518	324	440	11.07-09.21	■	■
28.440 (D 2066 LF 36)	Diesel	10518	324	440	08.08-09.21	■	■
32.440	Diesel	10518	324	441	08.06-09.21	■	■
33.440 (D 2066 LF 25)	Diesel	10518	324	440	11.07-09.21	■	■
33.440 (D 2066 LF 36)	Diesel	10518	324	440	11.07-09.21	■	■
33.440 (D 2066 LF 40)	Diesel	10518	324	440	11.07-09.21	■	■
33.440 (D 2066 LF 36)	Diesel	10518	324	440	06.08-09.21	■	■
33.440 (D 2066 LF 40)	Diesel	10518	324	440	06.08-09.21	■	■
35.440 (D 2066 LF 36)	Diesel	10518	324	440	06.08-09.21	■	■
35.440 (D 2066 LF 40)	Diesel	10518	324	440	06.08-09.21	■	■
35.440 (D 2066 LF 36)	Diesel	10518	324	440	06.08-09.21	■	■
35.440 (D 2066 LF 40)	Diesel	10518	324	440	06.08-09.21	■	■
35.440 (D 2066 LF 36)	Diesel	10518	324	440	08.08-09.21	■	■
35.440 (D 2066 LF 40)	Diesel	10518	324	440	08.08-09.21	■	■
37.440 (D 2066 LF 36)	Diesel	10518	324	440	07.08-09.21	■	■
37.440 (D 2066 LF 40)	Diesel	10518	324	440	07.08-09.21	■	■
40.440 (D 2066 LF 50)	Diesel	10518	324	441	02.11-09.21	■	■
40.440 (D 2066 LF 62)	Diesel	10518	324	441	02.11-09.21	■	■
41.440 (D 2066 LF 36)	Diesel	10518	324	440	06.08-09.21	■	■
41.440 (D 2066 LF 40)	Diesel	10518	324	440	06.08-09.21	■	■
41.440 (D 2066 LF 36)	Diesel	10518	324	440	06.08-09.21	■	■
41.440 (D 2066 LF 40)	Diesel	10518	324	440	06.08-09.21	■	■
41.440 (D 2066 LF 36)	Diesel	10518	324	440	07.08-09.21	■	■
41.440 (D 2066 LF 40)	Diesel	10518	324	440	07.08-09.21	■	■
18.400	Diesel	12419	294	400	08.12-09.21	■	■
18.400	Diesel	12419	294	400	08.12-09.21	■	■
26.400	Diesel	12419	294	400	08.12-09.21	■	■
26.400	Diesel	12419	294	400	08.12-09.21	■	■
28.400	Diesel	12419	294	400	08.12-09.21	■	■

# LISTA DE APLICACIONES - BUYERS GUIDE

32.400		Diesel		12419	294	400	08.12-09.21	■	■
33.400		Diesel		12419	294	400	08.12-09.21	■	■
33.400		Diesel		12419	294	400	08.12-09.21	■	■
35.400		Diesel		12419	294	400	08.12-09.21	■	■
35.400		Diesel		12419	294	400	08.12-09.21	■	■
35.400		Diesel		12419	294	400	08.12-09.21	■	■
37.400		Diesel		12419	294	400	08.12-09.21	■	■
41.400		Diesel		12419	294	400	08.12-09.21	■	■
41.400		Diesel		12419	294	400	08.12-09.21	■	■
41.400		Diesel		12419	294	400	08.12-09.21	■	■
18.420		Diesel		12419	309	420	09.16-09.21	■	
18.420		Diesel		12419	309	420	09.16-09.21	■	
26.420		Diesel		12419	309	420	09.16-09.21	■	
26.420		Diesel		12419	309	420	09.16-09.21	■	
28.420		Diesel		12419	309	420	09.16-09.21	■	
32.420		Diesel		12419	309	420	09.16-09.21	■	■
33.420		Diesel		12419	309	420	09.16-09.21	■	
33.420		Diesel		12419	309	420	09.16-09.21	■	
35.420		Diesel		12419	309	420	09.16-09.21	■	
35.420		Diesel		12419	309	420	09.16-09.21	■	
35.420		Diesel		12419	309	420	09.16-09.21	■	
37.420		Diesel		12419	309	420	09.16-09.21	■	
41.420		Diesel		12419	309	420	09.16-09.21	■	
41.420		Diesel		12419	309	420	09.16-09.21	■	
41.420		Diesel		12419	309	420	09.16-09.21	■	
18.430		Diesel		12419	316	430	01.19-09.21	■	■
18.430		Diesel		12419	316	430	01.19-09.21	■	■
26.430		Diesel		12419	316	430	01.19-09.21	■	■
26.430		Diesel		12419	316	430	01.19-09.21	■	■
28.430		Diesel		12419	316	430	01.19-09.21	■	■
32.430		Diesel		12419	316	430	01.19-09.21	■	■
33.430		Diesel		12419	316	430	01.19-09.21	■	■
33.430		Diesel		12419	316	430	01.19-09.21	■	■
35.430		Diesel		12419	316	430	01.19-09.21	■	■
35.430		Diesel		12419	316	430	01.19-09.21	■	■
35.430		Diesel		12419	316	430	01.19-09.21	■	■
37.430		Diesel		12419	316	430	01.19-09.21	■	■
41.430		Diesel		12419	316	430	01.19-09.21	■	■
41.430		Diesel		12419	316	430	01.19-09.21	■	■
41.430		Diesel		12419	316	430	01.19-09.21	■	■
32.440		Diesel		12419	324	441	08.06-09.21	■	■
40.440 (D 2676 LF 04)		Diesel		12419	324	441	02.11-09.21	■	■
41.440		Diesel		12419	324	441	02.07-09.21	■	■
18.460		Diesel		12419	338	460	09.16-09.21	■	
18.460		Diesel		12419	338	460	09.16-09.21	■	
26.460		Diesel		12419	338	460	09.16-09.21	■	
26.460		Diesel		12419	338	460	09.16-09.21	■	
28.460		Diesel		12419	338	460	09.16-09.21	■	
32.460		Diesel		12419	338	460	09.16-09.21	■	■
33.460		Diesel		12419	338	460	09.16-09.21	■	
33.460		Diesel		12419	338	460	09.16-09.21	■	

# LISTA DE APLICACIONES - BUYERS GUIDE

35.460		Diesel		12419	338	460	09.16-09.21	■	
35.460		Diesel		12419	338	460	09.16-09.21	■	
35.460		Diesel		12419	338	460	09.16-09.21	■	
37.460		Diesel		12419	338	460	09.16-09.21	■	
41.460		Diesel		12419	338	460	09.16-09.21	■	
41.460		Diesel		12419	338	460	09.16-09.21	■	
41.460		Diesel		12419	338	460	09.16-09.21	■	
18.470		Diesel		12419	346	470	01.19-09.21	■	■
18.470		Diesel		12419	346	470	01.19-09.21	■	■
26.470		Diesel		12419	346	470	01.19-09.21	■	■
26.470		Diesel		12419	346	470	01.19-09.21	■	■
28.470		Diesel		12419	346	470	01.19-09.21	■	■
32.470		Diesel		12419	346	470	01.19-09.21	■	■
33.470		Diesel		12419	346	470	01.19-09.21	■	■
33.470		Diesel		12419	346	470	01.19-09.21	■	■
35.470		Diesel		12419	346	470	01.19-09.21	■	■
35.470		Diesel		12419	346	470	01.19-09.21	■	■
35.470		Diesel		12419	346	470	01.19-09.21	■	■
37.470		Diesel		12419	346	470	01.19-09.21	■	■
41.470		Diesel		12419	346	470	01.19-09.21	■	■
41.470		Diesel		12419	346	470	01.19-09.21	■	■
41.470		Diesel		12419	346	470	01.19-09.21	■	■
18.480 (D 2676 LF 05)		Diesel		12419	353	480	10.07-09.21	■	■
18.480 (D 2676 LF 07)		Diesel		12419	353	480	10.07-09.21	■	■
18.480 (D 2676 LF 14)		Diesel		12419	353	480	10.07-09.21	■	■
18.480 (D 2676 LF 05)		Diesel		12419	353	480	10.07-09.21	■	■
18.480 (D 2676 LF 07)		Diesel		12419	353	480	10.07-09.21	■	■
26.480 (D 2676 LF 05)		Diesel		12419	353	480	07.08-09.21	■	■
26.480 (D 2676 LF 07)		Diesel		12419	353	480	07.08-09.21	■	■
26.480 (D 2676 LF 05)		Diesel		12419	353	480	02.09-09.21	■	■
26.480 (D 2676 LF 07)		Diesel		12419	353	480	02.09-09.21	■	■
28.480 (D 2676 LF 05)		Diesel		12419	353	480	08.08-09.21	■	■
32.480		Diesel		12419	353	480	08.06-09.21	■	■
33.480 (D 2676 LF 05)		Diesel		12419	353	480	08.08-09.21	■	■
33.480 (D 2676 LF 07)		Diesel		12419	353	480	08.08-09.21	■	■
33.480 (D 2676 LF 14)		Diesel		12419	353	480	08.08-09.21	■	■
33.480 (D 2676 LF 05)		Diesel		12419	353	480	08.08-09.21	■	■
33.480 (D 2676 LF 07)		Diesel		12419	353	480	08.08-09.21	■	■
35.480 (D 2676 LF 05)		Diesel		12419	353	480	06.08-09.21	■	■
35.480 (D 2676 LF 05)		Diesel		12419	353	480	06.08-09.21	■	■
35.480 (D 2676 LF 07)		Diesel		12419	353	480	06.08-09.21	■	■
35.480 (D 2676 LF 05)		Diesel		12419	353	480	08.08-09.21	■	■
35.480 (D 2676 LF 07)		Diesel		12419	353	480	08.08-09.21	■	■
37.480 (D 2676 LF 05)		Diesel		12419	353	480	07.08-09.21	■	■
37.480 (D 2676 LF 07)		Diesel		12419	353	480	07.08-09.21	■	■
41.480 (D 2676 LF 05)		Diesel		12419	353	480	06.08-09.21	■	■
41.480 (D 2676 LF 07)		Diesel		12419	353	480	06.08-09.21	■	■
41.480 (D 2676 LF 05)		Diesel		12419	353	480	06.08-09.21	■	■
41.480 (D 2676 LF 07)		Diesel		12419	353	480	06.08-09.21	■	■
41.480 (D 2676 LF 05)		Diesel		12419	353	480	07.08-09.21	■	■
41.480 (D 2676 LF 07)		Diesel		12419	353	480	07.08-09.21	■	■

# LISTA DE APLICACIONES - BUYERS GUIDE

18.500		Diesel		12419	368	500	09.16-09.21	■	
18.500		Diesel		12419	368	500	09.16-09.21	■	
26.500		Diesel		12419	368	500	09.16-09.21	■	
26.500		Diesel		12419	368	500	09.16-09.21	■	
28.500		Diesel		12419	368	500	09.16-09.21	■	
32.500		Diesel		12419	368	500	09.16-09.21	■	■
33.500		Diesel		12419	368	500	09.16-09.21	■	
33.500		Diesel		12419	368	500	09.16-09.21	■	
35.500		Diesel		12419	368	500	09.16-09.21	■	
35.500		Diesel		12419	368	500	09.16-09.21	■	
35.500		Diesel		12419	368	500	09.16-09.21	■	
37.500		Diesel		12419	368	500	09.16-09.21	■	
41.500		Diesel		12419	368	500	09.16-09.21	■	
41.500		Diesel		12419	368	500	09.16-09.21	■	
41.500		Diesel		12419	368	500	09.16-09.21	■	
18.510		Diesel		12419	375	510	01.19-09.21	■	■
18.510		Diesel		12419	375	510	01.19-09.21	■	■
26.510		Diesel		12419	375	510	01.19-09.21	■	■
26.510		Diesel		12419	375	510	01.19-09.21	■	■
28.510		Diesel		12419	375	510	01.19-09.21	■	■
32.510		Diesel		12419	375	510	01.19-09.21	■	■
33.510		Diesel		12419	375	510	01.19-09.21	■	■
33.510		Diesel		12419	375	510	01.19-09.21	■	■
35.510		Diesel		12419	375	510	01.19-09.21	■	■
35.510		Diesel		12419	375	510	01.19-09.21	■	■
35.510		Diesel		12419	375	510	01.19-09.21	■	■
35.510		Diesel		12419	375	510	01.19-09.21	■	■
37.510		Diesel		12419	375	510	01.19-09.21	■	■
41.510		Diesel		12419	375	510	01.19-09.21	■	■
41.510		Diesel		12419	375	510	01.19-09.21	■	■
41.510		Diesel		12419	375	510	01.19-09.21	■	■
18.540 (D 2676 LF 06)		Diesel		12419	397	540	10.07-09.21	■	■
18.540 (D 2676 LF 13)		Diesel		12419	397	540	10.07-09.21	■	■
18.540 (D 2676 LF 06)		Diesel		12419	397	540	10.07-09.21	■	■
18.540 (D 2676 LF 13)		Diesel		12419	397	540	10.07-09.21	■	■
26.540 (D 2676 LF 06)		Diesel		12419	397	540	02.09-09.21	■	■
26.540 (D 2676 LF 06)		Diesel		12419	397	540	11.07-09.21	■	■
26.540 (D 2676 LF 13)		Diesel		12419	397	540	11.07-09.21	■	■
32.540		Diesel		12419	397	540	08.07-09.21	■	■
33.540 (D 2676 LF 06)		Diesel		12419	397	540	02.09-09.21	■	■
33.540 (D 2676 LF 13)		Diesel		12419	397	540	02.09-09.21	■	■
33.540 (D 2676 LF 06)		Diesel		12419	397	540	02.09-09.21	■	■
35.540 (D 2676 LF 06)		Diesel		12419	397	540	02.09-09.21	■	■
35.540 (D 2676 LF 06)		Diesel		12419	397	540	02.07-	■	■
35.540 (D 2676 LF 06)		Diesel		12419	397	540	02.09-09.21	■	■
37.540 (D 2676 LF 06)		Diesel		12419	397	540	02.09-09.21	■	■
41.540 (D 2676 LF 06)		Diesel		12419	397	540	03.07-	■	■
41.540 (D 2676 LF 06)		Diesel		12419	397	540	02.07-	■	■
41.540 (D 2676 LF 06)		Diesel		12419	397	540	02.09-09.21	■	■
<b>TGS 01.05-</b>					<b>Municipal Vehicle</b>				
26.330		Diesel		9037	243	330	01.19-09.21	■	■
26.360		Diesel		9037	265	360	01.19-09.21	■	■

# LISTA DE APLICACIONES - BUYERS GUIDE

26.400		Diesel		9037	294	400	01.19-09.21	■	■
18.320		Diesel		10518	235	320	06.06-09.21	■	■
18.320		Diesel		10518	235	320	05.07-09.21	■	■
24.320		Diesel		10518	235	320	01.08-09.21	■	■
26.320		Diesel		10518	235	320	04.07-09.21	■	■
26.320		Diesel		10518	235	320	07.06-09.21	■	■
26.320		Diesel		10518	235	320	06.06-09.21	■	■
28.320		Diesel		10518	235	320	06.07-09.21	■	■
28.320		Diesel		10518	235	320	07.07-09.21	■	■
28.320		Diesel		10518	235	320	01.08-09.21	■	■
32.320		Diesel		10518	235	320	08.06-09.21	■	■
33.320		Diesel		10518	235	320	06.06-09.21	■	■
33.320		Diesel		10518	235	320	07.06-09.21	■	■
35.320		Diesel		10518	235	320	04.07-09.21	■	■
35.320		Diesel		10518	235	320	04.07-09.21	■	■
35.320		Diesel		10518	235	320	06.06-09.21	■	■
35.320		Diesel		10518	235	320	06.07-09.21	■	■
37.320		Diesel		10518	235	320	06.06-09.21	■	■
41.320		Diesel		10518	235	320	06.06-09.21	■	■
41.320		Diesel		10518	235	320	02.07-09.21	■	■
18.360		Diesel		10518	265	360	05.07-09.21	■	■
18.360		Diesel		10518	265	360	06.06-09.21	■	■
24.360		Diesel		10518	265	360	01.08-09.21	■	■
26.360		Diesel		10518	265	360	06.06-09.21	■	■
26.360		Diesel		10518	265	360	04.07-09.21	■	■
26.360		Diesel		10518	265	360	07.06-09.21	■	■
28.360		Diesel		10518	265	360	06.07-09.21	■	■
28.360		Diesel		10518	265	360	07.07-09.21	■	■
28.360		Diesel		10518	265	360	06.07-09.21	■	■
32.360		Diesel		10518	265	360	08.06-09.21	■	■
33.360		Diesel		10518	265	360	07.06-09.21	■	■
33.360		Diesel		10518	265	360	06.06-09.21	■	■
35.360		Diesel		10518	265	360	04.07-09.21	■	■
35.360		Diesel		10518	265	360	06.07-09.21	■	■
35.360		Diesel		10518	265	360	04.07-09.21	■	■
35.360		Diesel		10518	265	360	06.06-09.21	■	■
37.360		Diesel		10518	265	360	06.06-09.21	■	■
41.360		Diesel		10518	265	360	06.06-09.21	■	■
41.360		Diesel		10518	265	360	02.07-09.21	■	■
18.400		Diesel		10518	294	400	06.06-09.21	■	■
18.400		Diesel		10518	294	400	05.07-09.21	■	■
24.400		Diesel		10518	294	400	01.08-09.21	■	■
26.400		Diesel		10518	294	400	06.06-09.21	■	■
26.400		Diesel		10518	294	400	07.06-09.21	■	■
26.400		Diesel		10518	294	400	04.07-09.21	■	■
28.400		Diesel		10518	294	400	06.07-09.21	■	■
28.400		Diesel		10518	294	400	06.07-09.21	■	■
28.400		Diesel		10518	294	400	07.07-09.21	■	■
32.400		Diesel		10518	294	400	08.06-09.21	■	■
33.400		Diesel		10518	294	400	06.06-09.21	■	■
33.400		Diesel		10518	294	400	07.06-09.21	■	■

# LISTA DE APLICACIONES - BUYERS GUIDE

35.400		Diesel		10518	294	400	04.07-09.21	■	■
35.400		Diesel		10518	294	400	06.06-09.21	■	■
35.400		Diesel		10518	294	400	04.07-09.21	■	■
35.400		Diesel		10518	294	400	06.07-09.21	■	■
37.400		Diesel		10518	294	400	06.06-09.21	■	■
41.400		Diesel		10518	294	400	02.07-09.21	■	■
41.400		Diesel		10518	294	400	06.06-09.21	■	■
18.440		Diesel		10518	324	441	05.07-09.21	■	■
18.440		Diesel		10518	324	441	06.06-09.21	■	■
24.440		Diesel		10518	324	441	01.08-09.21	■	■
26.440		Diesel		10518	324	441	04.07-09.21	■	■
26.440		Diesel		10518	324	441	07.06-09.21	■	■
26.440		Diesel		10518	324	441	06.06-09.21	■	■
28.440		Diesel		10518	324	441	06.07-09.21	■	■
28.440		Diesel		10518	324	441	06.07-09.21	■	■
28.440		Diesel		10518	324	441	07.07-09.21	■	■
32.440		Diesel		10518	324	441	08.06-09.21	■	■
33.440		Diesel		10518	324	441	07.06-09.21	■	■
33.440		Diesel		10518	324	441	06.06-09.21	■	■
35.440		Diesel		10518	324	441	04.07-09.21	■	■
35.440		Diesel		10518	324	441	04.07-09.21	■	■
35.440		Diesel		10518	324	441	06.06-09.21	■	■
35.440		Diesel		10518	324	441	06.07-09.21	■	■
37.440		Diesel		10518	324	441	06.06-09.21	■	■
41.440		Diesel		10518	324	441	06.06-09.21	■	■
41.440		Diesel		10518	324	441	02.07-09.21	■	■
26.400		Diesel		12419	294	400	08.12-09.21	■	■
18.440		Diesel		12419	324	441	08.12-09.21	■	■
18.440		Diesel		12419	324	441	08.12-09.21	■	■
24.440		Diesel		12419	324	441	08.12-09.21	■	■
26.440		Diesel		12419	324	441	06.06-09.21	■	■
26.440		Diesel		12419	324	441	08.12-09.21	■	■
26.440		Diesel		12419	324	441	08.12-09.21	■	■
26.440		Diesel		12419	324	441	08.12-09.21	■	■
28.440		Diesel		12419	324	441	08.12-09.21	■	■
28.440		Diesel		12419	324	441	08.12-09.21	■	■
28.440		Diesel		12419	324	441	08.12-09.21	■	■
32.440		Diesel		12419	324	441	08.12-09.21	■	■
33.440		Diesel		12419	324	441	08.12-09.21	■	■
33.440		Diesel		12419	324	441	08.12-09.21	■	■
35.440		Diesel		12419	324	441	08.12-09.21	■	■
35.440		Diesel		12419	324	441	08.12-09.21	■	■
35.440		Diesel		12419	324	441	08.12-09.21	■	■
35.440		Diesel		12419	324	441	08.12-09.21	■	■
37.440		Diesel		12419	324	441	08.12-09.21	■	■
41.440		Diesel		12419	324	441	08.12-09.21	■	■
41.440		Diesel		12419	324	441	08.12-09.21	■	■
18.480		Diesel		12419	353	480	05.07-09.21	■	■
18.480		Diesel		12419	353	480	06.06-09.21	■	■
24.480		Diesel		12419	353	480	08.12-09.21	■	■
26.480		Diesel		12419	353	480	06.06-09.21	■	■

# LISTA DE APLICACIONES - BUYERS GUIDE

26.480		Diesel		12419	353	480	01.06-12.22	■	■
26.480		Diesel		12419	353	480	04.07-09.21	■	■
28.480		Diesel		12419	353	480	07.07-09.21	■	■
28.480		Diesel		12419	353	480	06.07-09.21	■	■
28.480		Diesel		12419	353	480	06.07-09.21	■	■
32.480		Diesel		12419	353	480	08.06-09.21	■	■
33.480		Diesel		12419	353	480	06.06-09.21	■	■
33.480		Diesel		12419	353	480	07.06-09.21	■	■
35.480		Diesel		12419	353	480	06.07-09.21	■	■
35.480		Diesel		12419	353	480	06.06-09.21	■	■
35.480		Diesel		12419	353	480	04.07-09.21	■	■
35.480		Diesel		12419	353	480	04.07-09.21	■	■
37.480		Diesel		12419	353	480	06.06-09.21	■	■
41.480		Diesel		12419	353	480	06.06-09.21	■	■
41.480		Diesel		12419	353	480	02.07-09.21	■	■
18.540		Diesel		12419	397	540	05.07-09.21	■	■
18.540		Diesel		12419	397	540	06.06-09.21	■	■
26.540		Diesel		12419	397	540	06.06-09.21	■	■
26.540		Diesel		12419	397	540	07.06-09.21	■	■
26.540		Diesel		12419	397	540	04.07-09.21	■	■
28.540		Diesel		12419	397	540	07.07-09.21	■	■
28.540		Diesel		12419	397	540	01.08-09.21	■	■
28.540		Diesel		12419	397	540	06.07-09.21	■	■
33.540		Diesel		12419	397	540	06.06-09.21	■	■
33.540		Diesel		12419	397	540	07.06-09.21	■	■
35.540		Diesel		12419	397	540	07.07-09.21	■	■
37.540		Diesel		12419	397	540	06.06-09.21	■	■
41.540		Diesel		12419	397	540	06.06-09.21	■	■
<b>TGS 01.05-</b>							<b>Platform/Chassis</b>		
18.330		Diesel		9037	243	330	01.19-09.21	■	■
18.330		Diesel		9037	243	330	01.19-09.21	■	■
23.330		Diesel		9037	243	330	01.19-09.21	■	■
24.330		Diesel		9037	243	330	01.19-09.21	■	■
26.330		Diesel		9037	243	330	01.19-09.21	■	■
26.330		Diesel		9037	243	330	01.19-09.21	■	■
26.330		Diesel		9037	243	330	01.19-09.21	■	■
26.330		Diesel		9037	243	330	01.19-09.21	■	■
28.330		Diesel		9037	243	330	01.19-09.21	■	■
28.330		Diesel		9037	243	330	01.19-09.21	■	■
28.330		Diesel		9037	243	330	01.19-09.21	■	■
32.330		Diesel		9037	243	330	01.19-09.21	■	■
33.330		Diesel		9037	243	330	01.19-09.21	■	■
33.330		Diesel		9037	243	330	01.19-09.21	■	■
35.330		Diesel		9037	243	330	01.19-09.21	■	■
35.330		Diesel		9037	243	330	01.19-09.21	■	■
35.330		Diesel		9037	243	330	01.19-09.21	■	■
37.330		Diesel		9037	243	330	01.19-09.21	■	■
41.330		Diesel		9037	243	330	01.19-09.21	■	■
41.330		Diesel		9037	243	330	01.19-09.21	■	■
18.360		Diesel		9037	265	360	01.19-09.21	■	■
18.360		Diesel		9037	265	360	01.19-09.21	■	■

# LISTA DE APLICACIONES - BUYERS GUIDE

23.360		Diesel		9037	265	360	01.19-09.21	■	■
24.360		Diesel		9037	265	360	01.19-09.21	■	■
26.360		Diesel		9037	265	360	01.19-09.21	■	■
26.360		Diesel		9037	265	360	01.19-09.21	■	■
26.360		Diesel		9037	265	360	01.19-09.21	■	■
26.360		Diesel		9037	265	360	01.19-09.21	■	■
28.360		Diesel		9037	265	360	01.19-09.21	■	■
28.360		Diesel		9037	265	360	01.19-09.21	■	■
28.360		Diesel		9037	265	360	01.19-09.21	■	■
32.360		Diesel		9037	265	360	01.19-09.21	■	■
33.360		Diesel		9037	265	360	01.19-09.21	■	■
33.360		Diesel		9037	265	360	01.19-09.21	■	■
35.360		Diesel		9037	265	360	01.19-09.21	■	■
35.360		Diesel		9037	265	360	01.19-09.21	■	■
35.360		Diesel		9037	265	360	01.19-09.21	■	■
37.360		Diesel		9037	265	360	01.19-09.21	■	■
41.360		Diesel		9037	265	360	01.19-09.21	■	■
41.360		Diesel		9037	265	360	01.19-09.21	■	■
18.400		Diesel		9037	294	400	01.19-09.21	■	■
18.400		Diesel		9037	294	400	01.19-09.21	■	■
23.400		Diesel		9037	294	400	01.19-09.21	■	■
24.400		Diesel		9037	294	400	01.19-09.21	■	■
26.400		Diesel		9037	294	400	01.19-09.21	■	■
26.400		Diesel		9037	294	400	01.19-09.21	■	■
26.400		Diesel		9037	294	400	01.19-09.21	■	■
26.400		Diesel		9037	294	400	01.19-09.21	■	■
28.400		Diesel		9037	294	400	01.19-09.21	■	■
28.400		Diesel		9037	294	400	01.19-09.21	■	■
28.400		Diesel		9037	294	400	01.19-09.21	■	■
32.400		Diesel		9037	294	400	01.19-09.21	■	■
33.400		Diesel		9037	294	400	01.19-09.21	■	■
33.400		Diesel		9037	294	400	01.19-09.21	■	■
35.400		Diesel		9037	294	400	01.19-09.21	■	■
35.400		Diesel		9037	294	400	01.19-09.21	■	■
35.400		Diesel		9037	294	400	01.19-09.21	■	■
37.400		Diesel		9037	294	400	01.19-09.21	■	■
41.400		Diesel		9037	294	400	01.19-09.21	■	■
41.400		Diesel		9037	294	400	01.19-09.21	■	■
18.320 (D 2066 LF 28)		Diesel		10518	235	320	10.07-09.21	■	■
18.320 (D 2066 LF 39)		Diesel		10518	235	320	10.07-09.21	■	■
18.320 (D 2066 LF 43)		Diesel		10518	235	320	10.07-09.21	■	■
18.320 (D 2066 LF 39)		Diesel		10518	235	320	10.07-09.21	■	■
18.320 (D 2066 LF 43)		Diesel		10518	235	320	10.07-09.21	■	■
24.320 (D 2066 LF 28)		Diesel		10518	235	320	10.07-09.21	■	■
24.320 (D 2066 LF 43)		Diesel		10518	235	320	10.07-09.21	■	■
24.320		Diesel		10518	235	320	09.16-09.21	■	■
26.320 (D 2066 LF 28)		Diesel		10518	235	320	10.07-09.21	■	■
26.320 (D 2066 LF 39)		Diesel		10518	235	320	10.07-09.21	■	■
26.320 (D 2066 LF 43)		Diesel		10518	235	320	10.07-09.21	■	■
26.320 (D 2066 LF 39)		Diesel		10518	235	320	07.08-09.21	■	■
26.320 (D 2066 LF 43)		Diesel		10518	235	320	07.08-09.21	■	■

# LISTA DE APLICACIONES - BUYERS GUIDE

26.320 (D 2066 LF 39)		Diesel		10518	235	320	07.08-09.21	■	■
26.320 (D 2066 LF 43)		Diesel		10518	235	320	07.08-09.21	■	■
26.320 (D 2066 LF 39)		Diesel		10518	235	320	10.07-09.21	■	■
26.320		Diesel		10518	235	320	10.07-09.21	■	■
28.320 (D 2066 LF 39)		Diesel		10518	235	320	07.08-09.21	■	■
28.320 (D 2066 LF 43)		Diesel		10518	235	320	07.08-09.21	■	■
28.320 (D 2066 LF 39)		Diesel		10518	235	320	07.08-09.21	■	■
28.320 (D 2066 LF 43)		Diesel		10518	235	320	07.08-09.21	■	■
28.320		Diesel		10518	235	320	07.08-09.21	■	■
35.320 (D 2066 LF 39)		Diesel		10518	235	320	06.08-09.21	■	■
35.320 (D 2066 LF 43)		Diesel		10518	235	320	06.08-09.21	■	■
35.320 (D 2066 LF 39)		Diesel		10518	235	320	01.09-09.21	■	■
35.320 (D 2066 LF 43)		Diesel		10518	235	320	01.09-09.21	■	■
35.320		Diesel		10518	235	320	09.16-09.21	■	■
37.320 (D 2066 LF 39)		Diesel		10518	235	320	07.08-09.21	■	■
37.320 (D 2066 LF 43)		Diesel		10518	235	320	07.08-09.21	■	■
41.320		Diesel		10518	235	320	02.07-09.21	■	■
18.360 (D 2066 LF 27)		Diesel		10518	265	360	10.07-09.21	■	■
18.360 (D 2066 LF 38)		Diesel		10518	265	360	10.07-09.21	■	■
18.360 (D 2066 LF 42)		Diesel		10518	265	360	10.07-09.21	■	■
18.360 (D 2066 LF 27)		Diesel		10518	265	360	10.07-09.21	■	■
18.360 (D 2066 LF 38)		Diesel		10518	265	360	10.07-09.21	■	■
18.360 (D 2066 LF 42)		Diesel		10518	265	360	10.07-09.21	■	■
23.360		Diesel		10518	265	360	09.16-09.21	■	■
24.360 (D 2066 LF 27)		Diesel		10518	265	360	10.07-09.21	■	■
24.360 (D 2066 LF 38)		Diesel		10518	265	360	10.07-09.21	■	■
24.360 (D 2066 LF 42)		Diesel		10518	265	360	10.07-09.21	■	■
24.360		Diesel		10518	265	360	09.16-09.21	■	■
26.360 (D 2066 LF 38)		Diesel		10518	265	360	08.08-09.21	■	■
26.360 (D 2066 LF 42)		Diesel		10518	265	360	08.08-09.21	■	■
26.360 (D 2066 LF 38)		Diesel		10518	265	360	08.08-09.21	■	■
26.360 (D 2066 LF 42)		Diesel		10518	265	360	08.08-09.21	■	■
26.360 (D 2066 LF 27)		Diesel		10518	265	360	10.07-09.21	■	■
26.360 (D 2066 LF 38)		Diesel		10518	265	360	10.07-09.21	■	■
26.360 (D 2066 LF 42)		Diesel		10518	265	360	10.07-09.21	■	■
26.360 (D 2066 LF 38)		Diesel		10518	265	360	04.08-	■	■
26.360 (D 2066 LF 42)		Diesel		10518	265	360	04.08-	■	■
26.360 (D 2066 LF 38)		Diesel		10518	265	360	10.07-09.21	■	■
26.360		Diesel		10518	265	360	10.07-09.21	■	■
28.360 (D 2066 LF 38)		Diesel		10518	265	360	08.08-09.21	■	■
28.360 (D 2066 LF 42)		Diesel		10518	265	360	08.08-09.21	■	■
28.360 (D 2066 LF 38)		Diesel		10518	265	360	08.08-09.21	■	■
28.360 (D 2066 LF 42)		Diesel		10518	265	360	08.08-09.21	■	■
28.360		Diesel		10518	265	360	08.08-09.21	■	■
32.360 (D 2066 LF 38)		Diesel		10518	265	360	08.08-09.21	■	■
33.360 (D 2066 LF 38)		Diesel		10518	265	360	06.08-09.21	■	■
33.360 (D 2066 LF 42)		Diesel		10518	265	360	06.08-09.21	■	■
33.360 (D 2066 LF 38)		Diesel		10518	265	360	06.08-09.21	■	■
33.360 (D 2066 LF 42)		Diesel		10518	265	360	06.08-09.21	■	■
35.360 (D 2066 LF 38)		Diesel		10518	265	360	06.08-09.21	■	■
35.360 (D 2066 LF 42)		Diesel		10518	265	360	06.08-09.21	■	■

# LISTA DE APLICACIONES - BUYERS GUIDE

35.360 (D 2066 LF 38)		Diesel		10518	265	360	06.08-09.21	■	■
35.360 (D 2066 LF 42)		Diesel		10518	265	360	06.08-09.21	■	■
35.360		Diesel		10518	265	360	09.16-09.21	■	■
35.360 FFDPAK, FFHDLK (D 2066 LF 38)		Diesel		10518	265	360	06.08-	■	■
35.360 FFDPAK, FFHDLK (D 2066 LF 42)		Diesel		10518	265	360	06.08-	■	■
37.360 (D 2066 LF 38)		Diesel		10518	265	360	07.08-09.21	■	■
37.360 (D 2066 LF 42)		Diesel		10518	265	360	07.08-09.21	■	■
41.360 (D 2066 LF 38)		Diesel		10518	265	360	06.08-	■	■
41.360 (D 2066 LF 42)		Diesel		10518	265	360	06.08-	■	■
41.360 (D 2066 LF 38)		Diesel		10518	265	360	07.08-09.21	■	■
41.360 (D 2066 LF 42)		Diesel		10518	265	360	07.08-09.21	■	■
41.360		Diesel		10518	265	360	02.07-09.21	■	■
41.360 FFDPAK (D 2066 LF 38)		Diesel		10518	265	360	06.08-	■	■
41.360 FFDPAK (D 2066 LF 42)		Diesel		10518	265	360	06.08-	■	■
18.400 (D 2066 LF 26)		Diesel		10518	294	400	10.07-09.21	■	■
18.400 (D 2066 LF 37)		Diesel		10518	294	400	10.07-09.21	■	■
18.400 (D 2066 LF 41)		Diesel		10518	294	400	10.07-09.21	■	■
18.400 (D 2066 LF 26)		Diesel		10518	294	400	10.07-09.21	■	■
18.400 (D 2066 LF 37)		Diesel		10518	294	400	10.07-09.21	■	■
18.400 (D 2066 LF 41)		Diesel		10518	294	400	10.07-09.21	■	■
24.400 (D 2066 LF 26)		Diesel		10518	294	400	10.07-09.21	■	■
24.400 (D 2066 LF 37)		Diesel		10518	294	400	10.07-09.21	■	■
24.400 (D 2066 LF 41)		Diesel		10518	294	400	10.07-09.21	■	■
24.400		Diesel		10518	294	400	01.08-09.21	■	■
26.400 (D 2066 LF 26)		Diesel		10518	294	400	10.07-09.21	■	■
26.400 (D 2066 LF 37)		Diesel		10518	294	400	10.07-09.21	■	■
26.400 (D 2066 LF 41)		Diesel		10518	294	400	10.07-09.21	■	■
26.400 (D 2066 LF 37)		Diesel		10518	294	400	08.08-09.21	■	■
26.400 (D 2066 LF 41)		Diesel		10518	294	400	08.08-09.21	■	■
26.400 (D 2066 LF 37)		Diesel		10518	294	400	02.09-09.21	■	■
26.400 (D 2066 LF 41)		Diesel		10518	294	400	02.09-09.21	■	■
26.400 (D 2066 LF 37)		Diesel		10518	294	400	10.07-09.21	■	■
26.400		Diesel		10518	294	400	10.07-09.21	■	■
28.400 (D 2066 LF 37)		Diesel		10518	294	400	08.08-09.21	■	■
28.400 (D 2066 LF 41)		Diesel		10518	294	400	08.08-09.21	■	■
28.400 (D 2066 LF 37)		Diesel		10518	294	400	08.08-09.21	■	■
28.400 (D 2066 LF 41)		Diesel		10518	294	400	08.08-09.21	■	■
28.400		Diesel		10518	294	400	08.08-09.21	■	■
32.400 (D 2066 LF 37)		Diesel		10518	294	400	08.08-09.21	■	■
33.400 (D 2066 LF 37)		Diesel		10518	294	400	07.08-09.21	■	■
33.400 (D 2066 LF 41)		Diesel		10518	294	400	07.08-09.21	■	■
33.400 (D 2066 LF 37)		Diesel		10518	294	400	06.08-09.21	■	■
33.400 (D 2066 LF 41)		Diesel		10518	294	400	06.08-09.21	■	■
35.400 (D 2066 LF 37)		Diesel		10518	294	400	06.08-09.21	■	■
35.400 (D 2066 LF 41)		Diesel		10518	294	400	06.08-09.21	■	■
35.400 (D 2066 LF 37)		Diesel		10518	294	400	06.08-09.21	■	■
35.400 (D 2066 LF 41)		Diesel		10518	294	400	06.08-09.21	■	■
35.400 (D 2066 LF 26)		Diesel		10518	294	400	10.07-09.21	■	■
35.400 (D 2066 LF 37)		Diesel		10518	294	400	10.07-09.21	■	■
35.400		Diesel		10518	294	400	04.07-09.21	■	■
37.400 (D 2066 LF 37)		Diesel		10518	294	400	07.08-09.21	■	■

# LISTA DE APLICACIONES - BUYERS GUIDE

37.400 (D 2066 LF 41)		Diesel		10518	294	400	07.08-09.21	■	■
41.400 (D 2066 LF 37)		Diesel		10518	294	400	07.08-09.21	■	■
41.400 (D 2066 LF 41)		Diesel		10518	294	400	07.08-09.21	■	■
41.400		Diesel		10518	294	400	02.07-09.21	■	■
18.440 (D 2066 LF 25)		Diesel		10518	324	440	10.07-09.21	■	■
18.440 (D 2066 LF 36)		Diesel		10518	324	440	10.07-09.21	■	■
18.440 (D 2066 LF 40)		Diesel		10518	324	440	10.07-09.21	■	■
18.440 (D 2066 LF 25)		Diesel		10518	324	440	10.07-09.21	■	■
18.440 (D 2066 LF 36)		Diesel		10518	324	440	10.07-09.21	■	■
18.440 (D 2066 LF 40)		Diesel		10518	324	440	10.07-09.21	■	■
24.440 (D 2066 LF 25)		Diesel		10518	324	440	10.07-09.21	■	■
24.440 (D 2066 LF 36)		Diesel		10518	324	440	10.07-09.21	■	■
24.440 (D 2066 LF 40)		Diesel		10518	324	440	10.07-09.21	■	■
24.440		Diesel		10518	324	441	01.08-09.21	■	■
26.440 (D 2066 LF 25)		Diesel		10518	324	440	10.07-09.21	■	■
26.440 (D 2066 LF 36)		Diesel		10518	324	440	10.07-09.21	■	■
26.440 (D 2066 LF 40)		Diesel		10518	324	440	10.07-09.21	■	■
26.440 (D 2066 LF 36)		Diesel		10518	324	440	02.09-09.21	■	■
26.440 (D 2066 LF 40)		Diesel		10518	324	440	02.09-09.21	■	■
26.440 (D 2066 LF 36)		Diesel		10518	324	440	02.09-09.21	■	■
26.440 (D 2066 LF 40)		Diesel		10518	324	440	02.09-09.21	■	■
26.440 (D 2066 LF 36)		Diesel		10518	324	440	10.07-09.21	■	■
26.440		Diesel		10518	324	440	10.07-09.21	■	■
28.440 (D 2066 LF 36)		Diesel		10518	324	440	08.08-09.21	■	■
28.440 (D 2066 LF 40)		Diesel		10518	324	440	08.08-09.21	■	■
28.440 (D 2066 LF 36)		Diesel		10518	324	440	08.08-09.21	■	■
28.440 (D 2066 LF 40)		Diesel		10518	324	440	08.08-09.21	■	■
28.440		Diesel		10518	324	440	08.08-09.21	■	■
32.440 (D 2066 LF 36)		Diesel		10518	324	440	08.08-09.21	■	■
33.440 (D 2066 LF 36)		Diesel		10518	324	440	07.08-09.21	■	■
33.440 (D 2066 LF 40)		Diesel		10518	324	440	07.08-09.21	■	■
33.440 (D 2066 LF 36)		Diesel		10518	324	440	06.08-09.21	■	■
33.440 (D 2066 LF 40)		Diesel		10518	324	440	06.08-09.21	■	■
35.440 (D 2066 LF 36)		Diesel		10518	324	440	06.08-09.21	■	■
35.440 (D 2066 LF 40)		Diesel		10518	324	440	06.08-09.21	■	■
35.440 (D 2066 LF 36)		Diesel		10518	324	440	06.08-09.21	■	■
35.440 (D 2066 LF 40)		Diesel		10518	324	440	06.08-09.21	■	■
35.440 (D 2066 LF 25)		Diesel		10518	324	440	10.07-09.21	■	■
35.440 (D 2066 LF 36)		Diesel		10518	324	440	10.07-09.21	■	■
35.440		Diesel		10518	324	441	04.07-09.21	■	■
37.440 (D 2066 LF 36)		Diesel		10518	324	440	07.08-09.21	■	■
37.440 (D 2066 LF 40)		Diesel		10518	324	440	07.08-09.21	■	■
41.440 (D 2066 LF 36)		Diesel		10518	324	440	07.08-09.21	■	■
41.440 (D 2066 LF 40)		Diesel		10518	324	440	07.08-09.21	■	■
49.440		Diesel		10518	324	441	10.05-09.21	■	■
26.480 FDAC, FDALC, FDHLC, FDHLC/M (D 2676 LF 05)		Diesel		12412	353	480	02.09-	■	■
26.480 FDAC, FDALC, FDHLC, FDHLC/M (D 2676 LF 07)		Diesel		12412	353	480	02.09-	■	■
41.480 FFDARC (D 2676 LF 05)		Diesel		12412	353	480	06.08-	■	■
18.400		Diesel		12419	294	400	08.12-09.21	■	■
18.400		Diesel		12419	294	400	08.12-09.21	■	■
23.400		Diesel		12419	294	400	08.12-09.21	■	■



# LISTA DE APLICACIONES - BUYERS GUIDE

28.430		Diesel		12419	316	430	01.19-09.21	■	■
28.430		Diesel		12419	316	430	01.19-09.21	■	■
32.430		Diesel		12419	316	430	01.19-09.21	■	■
33.430		Diesel		12419	316	430	01.19-09.21	■	■
33.430		Diesel		12419	316	430	01.19-09.21	■	■
35.430		Diesel		12419	316	430	01.19-09.21	■	■
35.430		Diesel		12419	316	430	01.19-09.21	■	■
35.430		Diesel		12419	316	430	01.19-09.21	■	■
35.430		Diesel		12419	316	430	01.19-09.21	■	■
37.430		Diesel		12419	316	430	01.19-09.21	■	■
41.430		Diesel		12419	316	430	01.19-09.21	■	■
41.430		Diesel		12419	316	430	01.19-09.21	■	■
23.440		Diesel		12419	324	441	08.12-09.21	■	■
24.440		Diesel		12419	324	441	01.08-09.21	■	■
26.440		Diesel		12419	324	441	10.07-09.21	■	■
26.440		Diesel		12419	324	440	04.07-09.21	■	■
28.440		Diesel		12419	324	441	06.07-09.21	■	■
35.440		Diesel		12419	324	441	04.07-09.21	■	■
35.440		Diesel		12419	324	441	06.06-09.21	■	■
41.440		Diesel		12419	324	441	02.07-09.21	■	■
18.460		Diesel		12419	338	460	09.16-09.21	■	
18.460		Diesel		12419	338	460	09.16-09.21	■	
23.460		Diesel		12419	338	460	09.16-09.21	■	■
24.460		Diesel		12419	338	460	09.16-09.21	■	
24.460		Diesel		12419	338	460	09.16-09.21	■	
26.460		Diesel		12419	338	460	09.16-09.21	■	
26.460		Diesel		12419	338	460	09.16-09.21	■	
26.460		Diesel		12419	338	460	09.16-09.21	■	
26.460		Diesel		12419	338	460	09.16-09.21	■	
26.460		Diesel		12419	338	460	09.16-09.21	■	
26.460		Diesel		12419	338	460	09.16-09.21	■	
28.460		Diesel		12419	338	460	09.16-09.21	■	
28.460		Diesel		12419	338	460	09.16-09.21	■	
28.460		Diesel		12419	338	460	09.16-09.21	■	
32.460		Diesel		12419	338	460	09.16-09.21	■	
33.460		Diesel		12419	338	460	09.16-09.21	■	
33.460		Diesel		12419	338	460	09.16-09.21	■	
35.460		Diesel		12419	338	460	09.16-09.21	■	
35.460		Diesel		12419	338	460	09.16-09.21	■	
35.460		Diesel		12419	338	460	09.16-09.21	■	
35.460		Diesel		12419	338	460	09.16-09.21	■	
37.460		Diesel		12419	338	460	09.16-09.21	■	
41.460		Diesel		12419	338	460	09.16-09.21	■	
41.460		Diesel		12419	338	460	09.16-09.21	■	■
18.470		Diesel		12419	346	470	01.19-09.21	■	■
18.470		Diesel		12419	346	470	01.19-09.21	■	■
23.470		Diesel		12419	346	470	01.19-09.21	■	■
24.470		Diesel		12419	346	470	01.19-09.21	■	■
24.470		Diesel		12419	346	470	01.19-09.21	■	■
26.470		Diesel		12419	346	470	01.19-09.21	■	■
26.470		Diesel		12419	346	470	01.19-09.21	■	■
26.470		Diesel		12419	346	470	01.19-09.21	■	■

# LISTA DE APLICACIONES - BUYERS GUIDE

26.470		Diesel		12419	346	470	01.19-09.21	■	■
28.470		Diesel		12419	346	470	01.19-09.21	■	■
28.470		Diesel		12419	346	470	01.19-09.21	■	■
28.470		Diesel		12419	346	470	01.19-09.21	■	■
32.470		Diesel		12419	346	470	01.19-09.21	■	■
33.470		Diesel		12419	346	470	01.19-09.21	■	■
33.470		Diesel		12419	346	470	01.19-09.21	■	■
35.470		Diesel		12419	346	470	01.19-09.21	■	■
35.470		Diesel		12419	346	470	01.19-09.21	■	■
35.470		Diesel		12419	346	470	01.19-09.21	■	■
35.470		Diesel		12419	346	470	01.19-09.21	■	■
37.470		Diesel		12419	346	470	01.19-09.21	■	■
41.470		Diesel		12419	346	470	01.19-09.21	■	■
41.470		Diesel		12419	346	470	01.19-09.21	■	■
18.480 (D 2676 LF 05)		Diesel		12419	353	480	10.07-09.21	■	■
18.480 (D 2676 LF 07)		Diesel		12419	353	480	10.07-09.21	■	■
18.480 (D 2676 LF 14)		Diesel		12419	353	480	10.07-09.21	■	■
18.480 (D 2676 LF 05)		Diesel		12419	353	480	10.07-09.21	■	■
18.480 (D 2676 LF 07)		Diesel		12419	353	480	10.07-09.21	■	■
23.480		Diesel		12419	353	480	08.12-09.21	■	■
24.480		Diesel		12419	353	480	08.12-09.21	■	■
26.480 (D 2676 LF 05)		Diesel		12419	353	480	10.07-09.21	■	■
26.480 (D 2676 LF 07)		Diesel		12419	353	480	10.07-09.21	■	■
26.480 (D 2676 LF 14)		Diesel		12419	353	480	10.07-09.21	■	■
26.480 (D 2676 LF 05)		Diesel		12419	353	480	02.09-09.21	■	■
26.480 (D 2676 LF 07)		Diesel		12419	353	480	02.09-09.21	■	■
26.480 (D 2676 LF 05)		Diesel		12419	353	480	10.07-09.21	■	■
26.480		Diesel		12419	353	480	10.07-09.21	■	■
28.480 (D 2676 LF 05)		Diesel		12419	353	480	08.08-09.21	■	■
28.480 (D 2676 LF 07)		Diesel		12419	353	480	08.08-09.21	■	■
28.480 (D 2676 LF 05)		Diesel		12419	353	480	08.08-09.21	■	■
28.480		Diesel		12419	353	480	08.08-09.21	■	■
33.480 (D 2676 LF 05)		Diesel		12419	353	480	08.08-09.21	■	■
33.480 (D 2676 LF 07)		Diesel		12419	353	480	08.08-09.21	■	■
33.480 (D 2676 LF 05)		Diesel		12419	353	480	08.08-09.21	■	■
33.480 (D 2676 LF 07)		Diesel		12419	353	480	08.08-09.21	■	■
35.480 (D 2676 LF 05)		Diesel		12419	353	480	06.08-09.21	■	■
35.480 (D 2676 LF 07)		Diesel		12419	353	480	06.08-09.21	■	■
35.480 (D 2676 LF 05)		Diesel		12419	353	480	06.08-09.21	■	■
35.480 (D 2676 LF 07)		Diesel		12419	353	480	06.08-09.21	■	■
35.480 (D 2676 LF 05)		Diesel		12419	353	480	10.07-09.21	■	■
35.480 (D 2676 LF 14)		Diesel		12419	353	480	10.07-09.21	■	■
35.480		Diesel		12419	353	480	04.07-09.21	■	■
37.480 (D 2676 LF 05)		Diesel		12419	353	480	07.08-09.21	■	■
37.480 (D 2676 LF 07)		Diesel		12419	353	480	07.08-09.21	■	■
41.480 (D 2676 LF 05)		Diesel		12419	353	480	07.08-09.21	■	■
41.480 (D 2676 LF 07)		Diesel		12419	353	480	07.08-09.21	■	■
18.500		Diesel		12419	368	500	09.16-09.21	■	
18.500		Diesel		12419	368	500	09.16-09.21	■	
23.500		Diesel		12419	368	500	09.16-09.21	■	■
24.500		Diesel		12419	368	500	09.16-09.21	■	

# LISTA DE APLICACIONES - BUYERS GUIDE

24.500		Diesel		12419	368	500	09.16-09.21	■	
26.500		Diesel		12419	368	500	09.16-09.21	■	
26.500		Diesel		12419	368	500	09.16-09.21	■	
26.500		Diesel		12419	368	500	09.16-09.21	■	
26.500		Diesel		12419	368	500	09.16-09.21	■	
26.500		Diesel		12419	368	500	09.16-09.21	■	
28.500		Diesel		12419	368	500	09.16-09.21	■	
28.500		Diesel		12419	368	500	09.16-09.21	■	
28.500		Diesel		12419	368	500	09.16-09.21	■	
32.500		Diesel		12419	368	500	09.16-09.21	■	
33.500		Diesel		12419	368	500	09.16-09.21	■	
33.500		Diesel		12419	368	500	09.16-09.21	■	
35.500		Diesel		12419	368	500	09.16-09.21	■	
35.500		Diesel		12419	368	500	09.16-09.21	■	
35.500		Diesel		12419	368	500	09.16-09.21	■	
35.500		Diesel		12419	368	500	09.16-09.21	■	
37.500		Diesel		12419	368	500	09.16-09.21	■	
41.500		Diesel		12419	368	500	09.16-09.21	■	
41.500		Diesel		12419	368	500	09.16-09.21	■	■
18.510		Diesel		12419	375	510	01.19-09.21	■	■
18.510		Diesel		12419	375	510	01.19-09.21	■	■
23.510		Diesel		12419	375	510	01.19-09.21	■	■
24.510		Diesel		12419	375	510	01.19-09.21	■	■
24.510		Diesel		12419	375	510	01.19-09.21	■	■
26.510		Diesel		12419	375	510	01.19-09.21	■	■
26.510		Diesel		12419	375	510	01.19-09.21	■	■
26.510		Diesel		12419	375	510	01.19-09.21	■	■
26.510		Diesel		12419	375	510	01.19-09.21	■	■
28.510		Diesel		12419	375	510	01.19-09.21	■	■
28.510		Diesel		12419	375	510	01.19-09.21	■	■
28.510		Diesel		12419	375	510	01.19-09.21	■	■
32.510		Diesel		12419	375	510	01.19-09.21	■	■
33.510		Diesel		12419	375	510	01.19-09.21	■	■
33.510		Diesel		12419	375	510	01.19-09.21	■	■
35.510		Diesel		12419	375	510	01.19-09.21	■	■
35.510		Diesel		12419	375	510	01.19-09.21	■	■
35.510		Diesel		12419	375	510	01.19-09.21	■	■
35.510		Diesel		12419	375	510	01.19-09.21	■	■
37.510		Diesel		12419	375	510	01.19-09.21	■	■
41.510		Diesel		12419	375	510	01.19-09.21	■	■
41.510		Diesel		12419	375	510	01.19-09.21	■	■
18.540 (D 2676 LF 06)		Diesel		12419	397	540	10.07-09.21	■	■
18.540 (D 2676 LF 13)		Diesel		12419	397	540	10.07-09.21	■	■
18.540 (D 2676 LF 06)		Diesel		12419	397	540	10.07-09.21	■	■
18.540 (D 2676 LF 13)		Diesel		12419	397	540	10.07-09.21	■	■
26.540 (D 2676 LF 06)		Diesel		12419	397	540	10.07-09.21	■	■
26.540 (D 2676 LF 13)		Diesel		12419	397	540	10.07-09.21	■	■
26.540 (D 2676 LF 06)		Diesel		12419	397	540	02.09-09.21	■	■
26.540 (D 2676 LF 06)		Diesel		12419	397	540	02.09-09.21	■	■
26.540		Diesel		12419	397	540	10.07-09.21	■	■
26.540		Diesel		12419	397	540	04.07-09.21	■	■

# LISTA DE APLICACIONES - BUYERS GUIDE

28.540 (D 2676 LF 06)		Diesel		12419	397	540	02.09-09.21	■	■	
28.540 (D 2676 LF 06)		Diesel		12419	397	540	06.08-09.21	■	■	
28.540		Diesel		12419	397	540	02.09-09.21	■	■	
32.540		Diesel		12419	397	540	08.07-09.21	■	■	
33.540 (D 2676 LF 06)		Diesel		12419	397	540	02.09-09.21	■	■	
33.540 (D 2676 LF 06)		Diesel		12419	397	540	02.09-09.21	■	■	
35.540 (D 2676 LF 06)		Diesel		12419	397	540	06.08-09.21	■	■	
35.540 (D 2676 LF 06)		Diesel		12419	397	540	02.09-09.21	■	■	
35.540		Diesel		12419	397	540	04.07-09.21	■	■	
37.540 (D 2676 LF 06)		Diesel		12419	397	540	02.09-09.21	■	■	
41.540 (D 2676 LF 06)		Diesel		12419	397	540	02.09-09.21	■	■	
41.540		Diesel		12419	397	540	02.07-09.21	■	■	
<b>TGS 01.05-</b>							<b>Truck Tractor</b>			
18.330		Diesel		9037	243	330	01.19-09.21	■	■	
18.330		Diesel		9037	243	330	01.19-09.21	■	■	
26.330		Diesel		9037	243	330	01.19-09.21	■	■	
26.330		Diesel		9037	243	330	01.19-09.21	■	■	
26.330		Diesel		9037	243	330	01.19-09.21	■	■	
26.330		Diesel		9037	243	330	01.19-09.21	■	■	
26.330		Diesel		9037	243	330	01.19-09.21	■	■	
28.330		Diesel		9037	243	330	01.19-09.21	■	■	
33.330		Diesel		9037	243	330	01.19-09.21	■	■	
33.330		Diesel		9037	243	330	01.19-09.21	■	■	
41.330		Diesel		9037	243	330	01.19-09.21	■	■	
18.360		Diesel		9037	265	360	01.19-09.21	■	■	
18.360		Diesel		9037	265	360	01.19-09.21	■	■	
26.360		Diesel		9037	265	360	01.19-09.21	■	■	
26.360		Diesel		9037	265	360	01.19-09.21	■	■	
26.360		Diesel		9037	265	360	01.19-09.21	■	■	
26.360		Diesel		9037	265	360	01.19-09.21	■	■	
26.360		Diesel		9037	265	360	01.19-09.21	■	■	
28.360		Diesel		9037	265	360	01.19-09.21	■	■	
33.360		Diesel		9037	265	360	01.19-09.21	■	■	
33.360		Diesel		9037	265	360	01.19-09.21	■	■	
41.360		Diesel		9037	265	360	01.19-09.21	■	■	
18.400		Diesel		9037	294	400	01.19-09.21	■	■	
18.400		Diesel		9037	294	400	01.19-09.21	■	■	
26.400		Diesel		9037	294	400	01.19-09.21	■	■	
26.400		Diesel		9037	294	400	01.19-09.21	■	■	
26.400		Diesel		9037	294	400	01.19-09.21	■	■	
26.400		Diesel		9037	294	400	01.19-09.21	■	■	
26.400		Diesel		9037	294	400	01.19-09.21	■	■	
28.400		Diesel		9037	294	400	01.19-09.21	■	■	
33.400		Diesel		9037	294	400	01.19-09.21	■	■	
33.400		Diesel		9037	294	400	01.19-09.21	■	■	
41.400		Diesel		9037	294	400	01.19-09.21	■	■	
18.320 (D 2066 LF 39)		Diesel		10518	235	320	10.07-09.21	■	■	
18.320 (D 2066 LF 43)		Diesel		10518	235	320	10.07-09.21	■	■	
18.320 (D 2066 LF 28)		Diesel		10518	235	320	10.07-09.21	■	■	
18.320 (D 2066 LF 39)		Diesel		10518	235	320	10.07-09.21	■	■	
18.320 (D 2066 LF 43)		Diesel		10518	235	320	10.07-09.21	■	■	
26.320 (D 2066 LF 39)		Diesel		10518	235	320	07.08-09.21	■	■	
26.320 (D 2066 LF 43)		Diesel		10518	235	320	07.08-09.21	■	■	
26.320 (D 2066 LF 39)		Diesel		10518	235	320	07.08-09.21	■	■	

# LISTA DE APLICACIONES - BUYERS GUIDE

26.320 (D 2066 LF 43)		Diesel		10518	235	320	07.08-09.21	■	■
26.320 (D 2066 LF 39)		Diesel		10518	235	320	07.08-09.21	■	■
26.320 (D 2066 LF 43)		Diesel		10518	235	320	07.08-09.21	■	■
26.320		Diesel		10518	235	320	07.08-09.21	■	■
26.320		Diesel		10518	235	320	04.07-09.21	■	■
28.320 (D 2066 LF 39)		Diesel		10518	235	320	07.08-09.21	■	■
40.320		Diesel		10518	235	320	05.09-09.21	■	■
41.320		Diesel		10518	235	320	02.07-09.21	■	■
18.360 (D 2066 LF 38)		Diesel		10518	265	360	10.07-09.21	■	■
18.360 (D 2066 LF 42)		Diesel		10518	265	360	10.07-09.21	■	■
18.360 (D 2066 LF 27)		Diesel		10518	265	360	10.07-09.21	■	■
18.360 (D 2066 LF 38)		Diesel		10518	265	360	10.07-09.21	■	■
18.360 (D 2066 LF 42)		Diesel		10518	265	360	10.07-09.21	■	■
19.360 (D 2066 LF 07)		Diesel		10518	265	360	02.11-09.21	■	■
19.360 (D 2066 LF 48)		Diesel		10518	265	360	02.11-09.21	■	■
19.360 (D 2066 LF 64)		Diesel		10518	265	360	02.11-09.21	■	■
24.360 (D 2066 LF 27)		Diesel		10518	265	360	10.07-09.21	■	■
24.360 (D 2066 LF 38)		Diesel		10518	265	360	10.07-09.21	■	■
24.360 (D 2066 LF 42)		Diesel		10518	265	360	10.07-09.21	■	■
26.360 (D 2066 LF 38)		Diesel		10518	265	360	08.08-09.21	■	■
26.360 (D 2066 LF 42)		Diesel		10518	265	360	08.08-09.21	■	■
26.360 (D 2066 LF 38)		Diesel		10518	265	360	08.08-09.21	■	■
26.360 (D 2066 LF 42)		Diesel		10518	265	360	08.08-09.21	■	■
26.360 (D 2066 LF 38)		Diesel		10518	265	360	08.08-09.21	■	■
26.360 (D 2066 LF 42)		Diesel		10518	265	360	08.08-09.21	■	■
26.360 (D 2066 LF 38)		Diesel		10518	265	360	08.08-09.21	■	■
26.360 (D 2066 LF 38)		Diesel		10518	265	360	05.08-	■	■
26.360 (D 2066 LF 38)		Diesel		10518	265	360	05.08-09.21	■	■
26.360		Diesel		10518	265	360	08.08-09.21	■	■
28.360 (D 2066 LF 38)		Diesel		10518	265	360	08.08-09.21	■	■
28.360 (D 2066 LF 42)		Diesel		10518	265	360	08.08-09.21	■	■
33.360 (D 2066 LF 38)		Diesel		10518	265	360	06.08-09.21	■	■
33.360 (D 2066 LF 42)		Diesel		10518	265	360	06.08-09.21	■	■
33.360 (D 2066 LF 38)		Diesel		10518	265	360	10.07-09.21	■	■
33.360 (D 2066 LF 42)		Diesel		10518	265	360	10.07-09.21	■	■
41.360		Diesel		10518	265	360	06.09-09.21	■	■
41.360		Diesel		10518	265	360	02.07-09.21	■	■
18.400 (D 2066 LF 26)		Diesel		10518	294	400	10.07-09.21	■	■
18.400 (D 2066 LF 37)		Diesel		10518	294	400	10.07-09.21	■	■
18.400 (D 2066 LF 41)		Diesel		10518	294	400	10.07-09.21	■	■
18.400 (D 2066 LF 26)		Diesel		10518	294	400	10.07-09.21	■	■
18.400 (D 2066 LF 37)		Diesel		10518	294	400	10.07-09.21	■	■
18.400 (D 2066 LF 41)		Diesel		10518	294	400	10.07-09.21	■	■
19.400 (D 2066 LF 06)		Diesel		10518	294	400	02.11-09.21	■	■
19.400 (D 2066 LF 49)		Diesel		10518	294	400	02.11-09.21	■	■
19.400 (D 2066 LF 63)		Diesel		10518	294	400	02.11-09.21	■	■
24.400 (D 2066 LF 26)		Diesel		10518	294	400	10.07-09.21	■	■
24.400 (D 2066 LF 37)		Diesel		10518	294	400	10.07-09.21	■	■
24.400 (D 2066 LF 41)		Diesel		10518	294	400	10.07-09.21	■	■
26.400 (D 2066 LF 37)		Diesel		10518	294	400	02.09-09.21	■	■
26.400 (D 2066 LF 41)		Diesel		10518	294	400	02.09-09.21	■	■
26.400 (D 2066 LF 37)		Diesel		10518	294	400	05.08-09.21	■	■

# LISTA DE APLICACIONES - BUYERS GUIDE

26.400 (D 2066 LF 41)		Diesel		10518	294	400	05.08-09.21	■	■
26.400 (D 2066 LF 37)		Diesel		10518	294	400	09.07-09.21	■	■
26.400 (D 2066 LF 41)		Diesel		10518	294	400	09.07-09.21	■	■
26.400 (D 2066 LF 26)		Diesel		10518	294	400	11.07-	■	■
26.400 (D 2066 LF 37)		Diesel		10518	294	400	11.07-	■	■
26.400 (D 2066 LF 41)		Diesel		10518	294	400	11.07-	■	■
26.400 (D 2066 LF 37)		Diesel		10518	294	400	05.08-	■	■
26.400 (D 2066 LF 37)		Diesel		10518	294	400	05.08-09.21	■	■
26.400		Diesel		10518	294	400	02.09-09.21	■	■
28.400 (D 2066 LF 37)		Diesel		10518	294	400	08.08-09.21	■	■
28.400 (D 2066 LF 41)		Diesel		10518	294	400	08.08-09.21	■	■
33.400 (D 2066 LF 37)		Diesel		10518	294	400	07.08-09.21	■	■
33.400 (D 2066 LF 41)		Diesel		10518	294	400	07.08-09.21	■	■
33.400 (D 2066 LF 37)		Diesel		10518	294	400	07.08-09.21	■	■
33.400 (D 2066 LF 41)		Diesel		10518	294	400	07.08-09.21	■	■
40.400 (D 2066 LF 06)		Diesel		10518	294	400	02.11-09.21	■	■
40.400 (D 2066 LF 49)		Diesel		10518	294	400	02.11-09.21	■	■
40.400 (D 2066 LF 63)		Diesel		10518	294	400	02.11-09.21	■	■
41.400		Diesel		10518	294	400	06.09-09.21	■	■
41.400		Diesel		10518	294	400	02.07-09.21	■	■
18.440 (D 2066 LF 25)		Diesel		10518	324	440	10.07-09.21	■	■
18.440 (D 2066 LF 36)		Diesel		10518	324	440	10.07-09.21	■	■
18.440 (D 2066 LF 40)		Diesel		10518	324	440	10.07-09.21	■	■
18.440 (D 2066 LF 25)		Diesel		10518	324	440	10.07-09.21	■	■
18.440 (D 2066 LF 36)		Diesel		10518	324	440	10.07-09.21	■	■
18.440 (D 2066 LF 40)		Diesel		10518	324	440	10.07-09.21	■	■
19.440 (D 2066 LF 50)		Diesel		10518	324	441	02.11-09.21	■	■
19.440 (D 2066 LF 62)		Diesel		10518	324	441	02.11-09.21	■	■
24.440 (D 2066 LF 25)		Diesel		10518	324	440	10.07-09.21	■	■
24.440 (D 2066 LF 36)		Diesel		10518	324	440	10.07-09.21	■	■
24.440 (D 2066 LF 40)		Diesel		10518	324	440	10.07-09.21	■	■
26.440 (D 2066 LF 36)		Diesel		10518	324	440	02.09-09.21	■	■
26.440 (D 2066 LF 40)		Diesel		10518	324	440	02.09-09.21	■	■
26.440 (D 2066 LF 36)		Diesel		10518	324	440	05.08-09.21	■	■
26.440 (D 2066 LF 40)		Diesel		10518	324	440	05.08-09.21	■	■
26.440 (D 2066 LF 36)		Diesel		10518	324	440	02.09-09.21	■	■
26.440 (D 2066 LF 40)		Diesel		10518	324	440	02.09-09.21	■	■
26.440 (D 2066 LF 36)		Diesel		10518	324	440	05.08-	■	■
26.440 (D 2066 LF 36)		Diesel		10518	324	440	05.08-09.21	■	■
26.440		Diesel		10518	324	440	02.09-09.21	■	■
28.440 (D 2066 LF 36)		Diesel		10518	324	440	08.08-09.21	■	■
28.440 (D 2066 LF 40)		Diesel		10518	324	440	08.08-09.21	■	■
33.440 (D 2066 LF 36)		Diesel		10518	324	440	10.07-09.21	■	■
33.440 (D 2066 LF 40)		Diesel		10518	324	440	10.07-09.21	■	■
33.440 (D 2066 LF 36)		Diesel		10518	324	440	06.08-09.21	■	■
33.440 (D 2066 LF 40)		Diesel		10518	324	440	06.08-09.21	■	■
40.440 (D 2066 LF 50)		Diesel		10518	324	441	02.11-09.21	■	■
40.440 (D 2066 LF 62)		Diesel		10518	324	441	02.11-09.21	■	■
41.440		Diesel		10518	324	441	06.09-09.21	■	■
41.440		Diesel		10518	324	441	02.07-09.21	■	■
18.400		Diesel		12419	294	400	08.12-09.21	■	■

# LISTA DE APLICACIONES - BUYERS GUIDE

18.400		Diesel		12419	294	400	08.12-09.21	■	■
26.400		Diesel		12419	294	400	08.12-09.21	■	■
26.400		Diesel		12419	294	400	08.12-09.21	■	■
26.400		Diesel		12419	294	400	08.12-09.21	■	■
26.400		Diesel		12419	294	400	08.12-09.21	■	■
28.400		Diesel		12419	294	400	08.12-09.21	■	■
33.400		Diesel		12419	294	400	08.12-09.21	■	■
33.400		Diesel		12419	294	400	08.12-09.21	■	■
41.400		Diesel		12419	294	400	08.12-09.21	■	■
18.420		Diesel		12419	309	420	09.16-09.21	■	
18.420		Diesel		12419	309	420	09.16-09.21	■	
24.420		Diesel		12419	309	420	09.16-09.21	■	
26.420		Diesel		12419	309	420	09.16-09.21	■	
26.420		Diesel		12419	309	420	09.16-09.21	■	
26.420		Diesel		12419	309	420	09.16-09.21	■	
26.420		Diesel		12419	309	420	09.16-09.21	■	
26.420		Diesel		12419	309	420	09.16-09.21	■	
26.420		Diesel		12419	309	420	09.16-09.21	■	■
28.420		Diesel		12419	309	420	09.16-09.21	■	
33.420		Diesel		12419	309	420	09.16-09.21	■	
33.420		Diesel		12419	309	420	09.16-09.21	■	
41.420		Diesel		12419	309	420	09.16-09.21	■	■
18.430		Diesel		12419	316	430	01.19-09.21	■	■
18.430		Diesel		12419	316	430	01.19-09.21	■	■
26.430		Diesel		12419	316	430	01.19-09.21	■	■
26.430		Diesel		12419	316	430	01.19-09.21	■	■
26.430		Diesel		12419	316	430	01.19-09.21	■	■
26.430		Diesel		12419	316	430	01.19-09.21	■	■
26.430		Diesel		12419	316	430	01.19-09.21	■	■
28.430		Diesel		12419	316	430	01.19-09.21	■	■
33.430		Diesel		12419	316	430	01.19-09.21	■	■
33.430		Diesel		12419	316	430	01.19-09.21	■	■
41.430		Diesel		12419	316	430	01.19-09.21	■	■
19.440 (D 2676 LF 04)		Diesel		12419	324	441	02.11-09.21	■	■
26.440		Diesel		12419	324	440	10.07-09.21	■	■
26.440		Diesel		12419	324	440	04.07-09.21	■	■
40.440 (D 2676 LF 04)		Diesel		12419	324	441	02.11-09.21	■	■
41.440		Diesel		12419	324	441	02.07-09.21	■	■
18.460		Diesel		12419	338	460	09.16-09.21	■	
18.460		Diesel		12419	338	460	09.16-09.21	■	
24.460		Diesel		12419	338	460	09.16-09.21	■	
26.460		Diesel		12419	338	460	09.16-09.21	■	
26.460		Diesel		12419	338	460	09.16-09.21	■	
26.460		Diesel		12419	338	460	09.16-09.21	■	
26.460		Diesel		12419	338	460	09.16-09.21	■	
26.460		Diesel		12419	338	460	09.16-09.21	■	■
28.460		Diesel		12419	338	460	09.16-09.21	■	
33.460		Diesel		12419	338	460	09.16-09.21	■	
33.460		Diesel		12419	338	460	09.16-09.21	■	
41.460		Diesel		12419	338	460	09.16-09.21	■	■
18.470		Diesel		12419	346	470	01.19-09.21	■	■
18.470		Diesel		12419	346	470	01.19-09.21	■	■
26.470		Diesel		12419	346	470	01.19-09.21	■	■

# LISTA DE APLICACIONES - BUYERS GUIDE

26.470		Diesel		12419	346	470	01.19-09.21	■	■
26.470		Diesel		12419	346	470	01.19-09.21	■	■
26.470		Diesel		12419	346	470	01.19-09.21	■	■
28.470		Diesel		12419	346	470	01.19-09.21	■	■
33.470		Diesel		12419	346	470	01.19-09.21	■	■
33.470		Diesel		12419	346	470	01.19-09.21	■	■
41.470		Diesel		12419	346	470	01.19-09.21	■	■
18.480 (D 2676 LF 05)		Diesel		12419	353	480	10.07-09.21	■	■
18.480 (D 2676 LF 07)		Diesel		12419	353	480	10.07-09.21	■	■
18.480 (D 2676 LF 14)		Diesel		12419	353	480	10.07-09.21	■	■
18.480 (D 2676 LF 05)		Diesel		12419	353	480	10.07-09.21	■	■
18.480 (D 2676 LF 07)		Diesel		12419	353	480	10.07-09.21	■	■
19.480 (D 2676 LF 02)		Diesel		12419	353	480	02.11-09.21	■	■
19.480 (D 2676 LF 03)		Diesel		12419	353	480	02.11-09.21	■	■
19.480 (D 2676 LF 20)		Diesel		12419	353	480	02.11-09.21	■	■
19.480 (D 2676 LF 31)		Diesel		12419	353	480	02.11-09.21	■	■
24.480 (D 2676 LF 05)		Diesel		12419	353	480	10.07-09.21	■	■
24.480 (D 2676 LF 07)		Diesel		12419	353	480	10.07-09.21	■	■
24.480 (D 2676 LF 14)		Diesel		12419	353	480	10.07-09.21	■	■
26.480 (D 2676 LF 05)		Diesel		12419	353	480	02.09-09.21	■	■
26.480 (D 2676 LF 07)		Diesel		12419	353	480	02.09-09.21	■	■
26.480 (D 2676 LF 05)		Diesel		12419	353	480	05.08-09.21	■	■
26.480 (D 2676 LF 07)		Diesel		12419	353	480	05.08-09.21	■	■
26.480 (D 2676 LF 05)		Diesel		12419	353	480	02.09-09.21	■	■
26.480 (D 2676 LF 07)		Diesel		12419	353	480	02.09-09.21	■	■
26.480 (D 2676 LF 05)		Diesel		12419	353	480	05.08-	■	■
26.480 (D 2676 LF 05)		Diesel		12419	353	480	05.08-09.21	■	■
26.480		Diesel		12419	353	480	02.09-09.21	■	■
28.480 (D 2676 LF 05)		Diesel		12419	353	480	08.08-09.21	■	■
28.480 (D 2676 LF 07)		Diesel		12419	353	480	08.08-09.21	■	■
33.480 (D 2676 LF 05)		Diesel		12419	353	480	10.07-09.21	■	■
33.480 (D 2676 LF 07)		Diesel		12419	353	480	10.07-09.21	■	■
33.480 (D 2676 LF 05)		Diesel		12419	353	480	08.08-09.21	■	■
33.480 (D 2676 LF 07)		Diesel		12419	353	480	08.08-09.21	■	■
41.480		Diesel		12419	353	480	06.09-09.21	■	■
41.480		Diesel		12419	353	480	02.07-09.21	■	■
18.500		Diesel		12419	368	500	09.16-09.21	■	■
18.500		Diesel		12419	368	500	09.16-09.21	■	■
24.500		Diesel		12419	368	500	09.16-09.21	■	■
26.500		Diesel		12419	368	500	09.16-09.21	■	■
26.500		Diesel		12419	368	500	09.16-09.21	■	■
26.500		Diesel		12419	368	500	09.16-09.21	■	■
26.500		Diesel		12419	368	500	09.16-09.21	■	■
26.500		Diesel		12419	368	500	09.16-09.21	■	■
26.500		Diesel		12419	368	500	09.16-09.21	■	■
26.500		Diesel		12419	368	500	09.16-09.21	■	■
28.500		Diesel		12419	368	500	09.16-09.21	■	■
33.500		Diesel		12419	368	500	09.16-09.21	■	■
33.500		Diesel		12419	368	500	09.16-09.21	■	■
41.500		Diesel		12419	368	500	09.16-09.21	■	■
18.510		Diesel		12419	375	510	01.19-09.21	■	■
18.510		Diesel		12419	375	510	01.19-09.21	■	■
26.510		Diesel		12419	375	510	01.19-09.21	■	■

# LISTA DE APLICACIONES - BUYERS GUIDE

26.510		Diesel		12419	375	510	01.19-09.21	■	■
26.510		Diesel		12419	375	510	01.19-09.21	■	■
26.510		Diesel		12419	375	510	01.19-09.21	■	■
28.510		Diesel		12419	375	510	01.19-09.21	■	■
33.510		Diesel		12419	375	510	01.19-09.21	■	■
33.510		Diesel		12419	375	510	01.19-09.21	■	■
41.510		Diesel		12419	375	510	01.19-09.21	■	■
18.540 (D 2676 LF 06)		Diesel		12419	397	540	10.07-09.21	■	■
18.540 (D 2676 LF 13)		Diesel		12419	397	540	10.07-09.21	■	■
18.540 (D 2676 LF 06)		Diesel		12419	397	540	10.07-09.21	■	■
18.540 (D 2676 LF 13)		Diesel		12419	397	540	10.07-09.21	■	■
19.540		Diesel		12419	397	540	03.09-09.21	■	■
24.540 (D 2676 LF 06)		Diesel		12419	397	540	10.07-09.21	■	■
24.540 (D 2676 LF 13)		Diesel		12419	397	540	10.07-09.21	■	■
26.540 (D 2676 LF 06)		Diesel		12419	397	540	02.09-09.21	■	■
26.540 (D 2676 LF 06)		Diesel		12419	397	540	05.08-09.21	■	■
26.540 (D 2676 LF 06)		Diesel		12419	397	540	02.09-09.21	■	■
26.540		Diesel		12419	397	540	02.09-09.21	■	■
26.540		Diesel		12419	397	540	04.07-09.21	■	■
28.540 (D 2676 LF 06)		Diesel		12419	397	540	02.09-09.21	■	■
33.540 (D 2676 LF 06)		Diesel		12419	397	540	02.09-09.21	■	■
33.540 (D 2676 LF 06)		Diesel		12419	397	540	02.09-09.21	■	■
41.540		Diesel		12419	397	540	02.07-09.21	■	■
<b>TGS II 02.20-</b>								<b>Dump Truck</b>	
18.330		Diesel		9037	243	330	02.20-	■	■
28.330		Diesel		9037	243	330	02.20-	■	■
35.330		Diesel		9037	243	330	02.20-	■	■
18.360		Diesel		9037	265	360	02.20-	■	■
28.360		Diesel		9037	265	360	02.20-	■	■
35.360		Diesel		9037	265	360	02.20-	■	■
18.400		Diesel		9037	294	400	02.20-	■	■
28.400		Diesel		9037	294	400	02.20-	■	■
35.400		Diesel		9037	294	400	02.20-	■	■
18.430		Diesel		12419	316	430	02.20-	■	■
28.430		Diesel		12419	316	430	02.20-	■	■
35.430		Diesel		12419	316	430	02.20-	■	■
18.470		Diesel		12419	346	470	02.20-	■	■
28.470		Diesel		12419	346	470	02.20-	■	■
35.470		Diesel		12419	346	470	02.20-	■	■
18.510		Diesel		12419	375	510	02.20-	■	■
28.510		Diesel		12419	375	510	02.20-	■	■
35.510		Diesel		12419	375	510	02.20-	■	■
<b>TGS II 02.20-</b>								<b>Platform/Chassis</b>	
18.330		Diesel		9037	243	330	02.20-	■	■
26.330		Diesel		9037	243	330	02.20-	■	■
26.330		Diesel		9037	243	330	02.20-	■	■
28.330		Diesel		9037	243	330	02.20-	■	■
18.360		Diesel		9037	265	360	02.20-	■	■
26.360		Diesel		9037	265	360	02.20-	■	■
26.360		Diesel		9037	265	360	02.20-	■	■
28.360		Diesel		9037	265	360	02.20-	■	■

# LISTA DE APLICACIONES - BUYERS GUIDE

18.400		Diesel		9037	294	400	02.20-	■	■
26.400		Diesel		9037	294	400	02.20-	■	■
26.400		Diesel		9037	294	400	02.20-	■	■
28.400		Diesel		9037	294	400	02.20-	■	■
18.430		Diesel		12419	316	430	02.20-	■	■
26.430		Diesel		12419	316	430	02.20-	■	■
26.430		Diesel		12419	316	430	02.20-	■	■
28.430		Diesel		12419	316	430	02.20-	■	■
18.470		Diesel		12419	346	470	02.20-	■	■
26.470		Diesel		12419	346	470	02.20-	■	■
26.470		Diesel		12419	346	470	02.20-	■	■
28.470		Diesel		12419	346	470	02.20-	■	■
18.510		Diesel		12419	375	510	02.20-	■	■
26.510		Diesel		12419	375	510	02.20-	■	■
26.510		Diesel		12419	375	510	02.20-	■	■
28.510		Diesel		12419	375	510	02.20-	■	■
26.540		Diesel		15256	397	540	02.20-	■	■
35.540		Diesel		15256	397	540	02.20-	■	■
26.580		Diesel		15256	427	581	02.20-	■	■
35.580		Diesel		15256	427	581	02.20-	■	■
26.640		Diesel		15256	471	640	02.20-	■	■
35.640		Diesel		15256	471	640	02.20-	■	■
<b>TGS II 02.20-</b>							<b>Truck Tractor</b>		
18.330		Diesel		9037	243	330	02.20-	■	■
26.330		Diesel		9037	243	330	02.20-	■	■
28.330		Diesel		9037	243	330	02.20-	■	■
33.330		Diesel		9037	243	330	02.20-	■	■
18.360		Diesel		9037	265	360	02.20-	■	■
26.360		Diesel		9037	265	360	02.20-	■	■
28.360		Diesel		9037	265	360	02.20-	■	■
33.360		Diesel		9037	265	360	02.20-	■	■
18.400		Diesel		9037	294	400	02.20-	■	■
26.400		Diesel		9037	294	400	02.20-	■	■
28.400		Diesel		9037	294	400	02.20-	■	■
33.400		Diesel		9037	294	400	02.20-	■	■
18.430		Diesel		12419	316	430	02.20-	■	■
26.430		Diesel		12419	316	430	02.20-	■	■
28.430		Diesel		12419	316	430	02.20-	■	■
33.430		Diesel		12419	316	430	02.20-	■	■
18.470		Diesel		12419	346	470	02.20-	■	■
26.470		Diesel		12419	346	470	02.20-	■	■
28.470		Diesel		12419	346	470	02.20-	■	■
33.470		Diesel		12419	346	470	02.20-	■	■
18.510		Diesel		12419	375	510	02.20-	■	■
26.510		Diesel		12419	375	510	02.20-	■	■
28.510		Diesel		12419	375	510	02.20-	■	■
33.510		Diesel		12419	375	510	02.20-	■	■
28.540		Diesel		15256	397	540	02.20-	■	■
28.580		Diesel		15256	427	581	02.20-	■	■
28.640		Diesel		15256	471	640	02.20-	■	■

# LISTA DE APLICACIONES - BUYERS GUIDE

<b>TGX 06.06-</b>					<b>Dump Truck</b>				
26.330		Diesel		9037	243	330	01.19-09.21	■	■
33.330		Diesel		9037	243	330	01.19-09.21	■	■
33.360		Diesel		9037	265	360	01.19-09.21	■	■
33.400		Diesel		9037	294	400	01.19-09.21	■	■
26.360		Diesel		10518	265	360	06.06-09.21	■	■
26.360		Diesel		10518	265	360	06.06-09.21	■	■
33.360		Diesel		10518	265	360	06.06-09.21	■	■
26.400		Diesel		10518	294	400	06.06-09.21	■	■
26.400		Diesel		10518	294	400	06.06-09.21	■	■
33.400		Diesel		10518	294	400	06.06-09.21	■	■
26.440		Diesel		10518	324	441	06.06-09.21	■	■
26.440		Diesel		10518	324	441	06.06-09.21	■	■
33.440		Diesel		10518	324	441	06.06-09.21	■	■
26.400		Diesel		12419	294	400	08.12-09.21	■	■
33.400		Diesel		12419	294	400	08.12-09.21	■	■
26.420		Diesel		12419	309	420	09.16-09.21	■	■
33.420		Diesel		12419	309	420	09.16-09.21	■	■
26.430		Diesel		12419	316	430	01.19-09.21	■	■
33.430		Diesel		12419	316	430	01.19-09.21	■	■
26.460		Diesel		12419	338	460	09.16-09.21	■	■
33.460		Diesel		12419	338	460	09.16-09.21	■	■
26.470		Diesel		12419	346	470	01.19-09.21	■	■
33.470		Diesel		12419	346	470	01.19-09.21	■	■
26.480		Diesel		12419	353	480	06.06-09.21	■	■
26.500		Diesel		12419	368	500	09.16-09.21	■	■
33.500		Diesel		12419	368	500	09.16-09.21	■	■
26.510		Diesel		12419	375	510	01.19-09.21	■	■
33.510		Diesel		12419	375	510	01.19-09.21	■	■
26.540		Diesel		12419	397	540	06.06-09.21	■	■
33.540		Diesel		12419	397	540	06.06-09.21	■	■
26.520		Diesel		15256	383	521	01.14-09.21	■	■
33.520		Diesel		15256	383	521	01.14-09.21	■	■
26.540		Diesel		15256	397	540	09.16-09.21	■	■
33.540		Diesel		15256	397	540	09.16-09.21	■	■
26.560		Diesel		15256	412	560	01.14-09.21	■	■
33.560		Diesel		15256	412	560	01.14-09.21	■	■
26.580		Diesel		15256	427	581	09.16-09.21	■	■
33.580		Diesel		15256	427	581	09.16-09.21	■	■
<b>TGX 06.06-</b>					<b>Municipal Vehicle</b>				
26.320		Diesel		10518	235	320	06.06-09.21	■	■
26.320		Diesel		10518	235	320	06.06-09.21	■	■
18.360		Diesel		10518	265	360	06.06-09.21	■	■
18.360		Diesel		10518	265	360	06.06-09.21	■	■
24.360		Diesel		10518	265	360	04.07-09.21	■	■
24.360		Diesel		10518	265	360	04.07-09.21	■	■
26.360		Diesel		10518	265	360	06.06-09.21	■	■
26.360		Diesel		10518	265	360	06.06-09.21	■	■
26.360		Diesel		10518	265	360	06.06-09.21	■	■
28.360		Diesel		10518	265	360	04.07-09.21	■	■
33.360		Diesel		10518	265	360	06.06-09.21	■	■

# LISTA DE APLICACIONES - BUYERS GUIDE

35.360		Diesel		10518	265	360	07.07-09.21	■	■
18.400		Diesel		10518	294	400	06.06-09.21	■	■
18.400		Diesel		10518	294	400	06.06-09.21	■	■
24.400		Diesel		10518	294	400	04.07-09.21	■	■
24.400		Diesel		10518	294	400	04.07-09.21	■	■
26.400		Diesel		10518	294	400	06.06-09.21	■	■
26.400		Diesel		10518	294	400	06.06-09.21	■	■
26.400		Diesel		10518	294	400	06.06-09.21	■	■
28.400		Diesel		10518	294	400	04.07-09.21	■	■
33.400		Diesel		10518	294	400	06.06-09.21	■	■
35.400		Diesel		10518	294	400	07.07-09.21	■	■
18.440		Diesel		10518	324	441	06.06-09.21	■	■
18.440		Diesel		10518	324	441	06.06-09.21	■	■
24.440		Diesel		10518	324	441	04.07-09.21	■	■
24.440		Diesel		10518	324	441	04.07-09.21	■	■
26.440		Diesel		10518	324	441	06.06-09.21	■	■
26.440		Diesel		10518	324	441	06.06-09.21	■	■
26.440		Diesel		10518	324	441	06.06-09.21	■	■
28.440		Diesel		10518	324	441	04.07-09.21	■	■
33.440		Diesel		10518	324	441	06.06-09.21	■	■
35.440		Diesel		10518	324	441	07.07-09.21	■	■
18.440		Diesel		12419	324	441	08.12-09.21	■	■
18.440		Diesel		12419	324	441	08.12-09.21	■	■
24.440		Diesel		12419	324	441	08.12-09.21	■	■
24.440		Diesel		12419	324	441	08.12-09.21	■	■
26.440		Diesel		12419	324	441	08.12-09.21	■	■
26.440		Diesel		12419	324	441	08.12-09.21	■	■
26.440		Diesel		12419	324	441	08.12-09.21	■	■
28.440		Diesel		12419	324	441	08.12-09.21	■	■
33.440		Diesel		12419	324	441	08.12-09.21	■	■
35.440		Diesel		12419	324	441	08.12-09.21	■	■
18.480		Diesel		12419	353	480	06.06-09.21	■	■
18.480		Diesel		12419	353	480	06.06-09.21	■	■
24.480		Diesel		12419	353	480	04.07-09.21	■	■
24.480		Diesel		12419	353	480	04.07-09.21	■	■
26.480		Diesel		12419	353	480	06.06-09.21	■	■
26.480		Diesel		12419	353	480	06.06-09.21	■	■
26.480		Diesel		12419	353	480	06.06-09.21	■	■
28.480		Diesel		12419	353	480	04.07-09.21	■	■
33.480		Diesel		12419	353	480	06.06-09.21	■	■
35.480		Diesel		12419	353	480	07.07-09.21	■	■
18.540		Diesel		12419	397	540	06.06-09.21	■	■
18.540		Diesel		12419	397	540	06.06-09.21	■	■
24.540		Diesel		12419	397	540	04.07-09.21	■	■
24.540		Diesel		12419	397	540	04.07-09.21	■	■
26.540		Diesel		12419	397	540	06.06-09.21	■	■
26.540		Diesel		12419	397	540	06.06-09.21	■	■
26.540		Diesel		12419	397	540	06.06-09.21	■	■
28.540		Diesel		12419	397	540	04.07-09.21	■	■
33.540		Diesel		12419	397	540	06.06-09.21	■	■
35.540		Diesel		12419	397	540	07.07-09.21	■	■

# LISTA DE APLICACIONES - BUYERS GUIDE

18.520		Diesel		15256	383	521	01.14-09.21	■	■
26.520		Diesel		15256	383	521	01.14-09.21	■	■
26.520		Diesel		15256	383	521	01.14-09.21	■	■
26.520		Diesel		15256	383	521	01.14-09.21	■	■
28.520		Diesel		15256	383	521	01.14-09.21	■	■
33.520		Diesel		15256	383	521	01.14-09.21	■	■
35.520		Diesel		15256	383	521	01.14-09.21	■	■
18.560		Diesel		15256	412	560	01.14-09.21	■	■
26.560		Diesel		15256	412	560	01.14-09.21	■	■
26.560		Diesel		15256	412	560	01.14-09.21	■	■
26.560		Diesel		15256	412	560	01.14-09.21	■	■
28.560		Diesel		15256	412	560	01.14-09.21	■	■
33.560		Diesel		15256	412	560	01.14-09.21	■	■
35.560		Diesel		15256	412	560	01.14-09.21	■	■
33.680		Diesel		16162	500	680	03.07-01.16	■	■
<b>TGX 06.06-</b>							<b>Platform/Chassis</b>		
18.330		Diesel		9037	243	330	01.19-09.21	■	■
24.330		Diesel		9037	243	330	01.19-09.21	■	■
24.330		Diesel		9037	243	330	01.19-09.21	■	■
26.330		Diesel		9037	243	330	01.19-09.21	■	■
26.330		Diesel		9037	243	330	01.19-09.21	■	■
26.330		Diesel		9037	243	330	01.19-09.21	■	■
28.330		Diesel		9037	243	330	01.19-09.21	■	■
33.330		Diesel		9037	243	330	01.19-09.21	■	■
35.330		Diesel		9037	243	330	01.19-09.21	■	■
18.360		Diesel		9037	265	360	01.19-09.21	■	■
24.360		Diesel		9037	265	360	01.19-09.21	■	■
24.360		Diesel		9037	265	360	01.19-09.21	■	■
26.360		Diesel		9037	265	360	01.19-09.21	■	■
26.360		Diesel		9037	265	360	01.19-09.21	■	■
28.360		Diesel		9037	265	360	01.19-09.21	■	■
33.360		Diesel		9037	265	360	01.19-09.21	■	■
35.360		Diesel		9037	265	360	01.19-09.21	■	■
18.400		Diesel		9037	294	400	01.19-09.21	■	■
24.400		Diesel		9037	294	400	01.19-09.21	■	■
24.400		Diesel		9037	294	400	01.19-09.21	■	■
26.400		Diesel		9037	294	400	01.19-09.21	■	■
26.400		Diesel		9037	294	400	01.19-09.21	■	■
28.400		Diesel		9037	294	400	01.19-09.21	■	■
33.400		Diesel		9037	294	400	01.19-09.21	■	■
35.400		Diesel		9037	294	400	01.19-09.21	■	■
26.320		Diesel		10518	235	320	10.07-09.21	■	■
26.320		Diesel		10518	235	320	06.06-09.21	■	■
18.360 (D 2066 LF 27)		Diesel		10518	265	360	10.07-09.21	■	■
18.360 (D 2066 LF 38)		Diesel		10518	265	360	10.07-09.21	■	■
18.360 (D 2066 LF 42)		Diesel		10518	265	360	10.07-09.21	■	■
18.360 (D 2066 LF 52)		Diesel		10518	265	360	10.07-09.21	■	■
18.360 (D 2066 LF 67)		Diesel		10518	265	360	10.07-09.21	■	■
18.360 (D 2066 LF 27)		Diesel		10518	265	360	10.07-09.21	■	■
18.360 (D 2066 LF 38)		Diesel		10518	265	360	10.07-09.21	■	■
24.360 (D 2066 LF 27)		Diesel		10518	265	360	10.07-09.21	■	■

# LISTA DE APLICACIONES - BUYERS GUIDE

24.360 (D 2066 LF 38)		Diesel		10518	265	360	10.07-09.21	■	■
24.360 (D 2066 LF 42)		Diesel		10518	265	360	10.07-09.21	■	■
24.360 (D 2066 LF 67)		Diesel		10518	265	360	10.07-09.21	■	■
24.360		Diesel		10518	265	360	04.07-09.21	■	■
26.360 (D 2066 LF 27)		Diesel		10518	265	360	10.07-09.21	■	■
26.360 (D 2066 LF 38)		Diesel		10518	265	360	10.07-09.21	■	■
26.360 (D 2066 LF 42)		Diesel		10518	265	360	10.07-09.21	■	■
26.360 (D 2066 LF 67)		Diesel		10518	265	360	10.07-09.21	■	■
26.360 (D 2066 LF 38)		Diesel		10518	265	360	07.08-09.21	■	■
26.360 (D 2066 LF 42)		Diesel		10518	265	360	07.08-09.21	■	■
26.360 (D 2066 LF 67)		Diesel		10518	265	360	07.08-09.21	■	■
26.360 (D 2066 LF 38)		Diesel		10518	265	360	10.07-09.21	■	■
26.360 (D 2066 LF 38)		Diesel		10518	265	360	10.07-	■	■
26.360		Diesel		10518	265	360	09.16-09.21	■	■
28.360 (D 2066 LF 27)		Diesel		10518	265	360	10.07-09.21	■	■
28.360 (D 2066 LF 38)		Diesel		10518	265	360	10.07-09.21	■	■
28.360 (D 2066 LF 42)		Diesel		10518	265	360	10.07-09.21	■	■
28.360 (D 2066 LF 67)		Diesel		10518	265	360	10.07-09.21	■	■
33.360 (D 2066 LF 27)		Diesel		10518	265	360	10.07-09.21	■	■
33.360 (D 2066 LF 38)		Diesel		10518	265	360	10.07-09.21	■	■
33.360 (D 2066 LF 42)		Diesel		10518	265	360	10.07-09.21	■	■
33.360 (D 2066 LF 67)		Diesel		10518	265	360	10.07-09.21	■	■
35.360 (D 2066 LF 27)		Diesel		10518	265	360	06.08-09.21	■	■
35.360 (D 2066 LF 38)		Diesel		10518	265	360	06.08-09.21	■	■
35.360 (D 2066 LF 42)		Diesel		10518	265	360	06.08-09.21	■	■
18.400 (D 2066 LF 26)		Diesel		10518	294	400	10.07-09.21	■	■
18.400 (D 2066 LF 37)		Diesel		10518	294	400	10.07-09.21	■	■
18.400 (D 2066 LF 41)		Diesel		10518	294	400	10.07-09.21	■	■
18.400 (D 2066 LF 51)		Diesel		10518	294	400	10.07-09.21	■	■
18.400 (D 2066 LF 61)		Diesel		10518	294	400	10.07-09.21	■	■
18.400 (D 2066 LF 26)		Diesel		10518	294	400	10.07-09.21	■	■
18.400 (D 2066 LF 37)		Diesel		10518	294	400	10.07-09.21	■	■
24.400 (D 2066 LF 26)		Diesel		10518	294	400	10.07-09.21	■	■
24.400 (D 2066 LF 37)		Diesel		10518	294	400	10.07-09.21	■	■
24.400 (D 2066 LF 41)		Diesel		10518	294	400	10.07-09.21	■	■
24.400 (D 2066 LF 61)		Diesel		10518	294	400	10.07-09.21	■	■
24.400		Diesel		10518	294	400	04.07-09.21	■	■
26.400 (D 2066 LF 26)		Diesel		10518	294	400	10.07-09.21	■	■
26.400 (D 2066 LF 37)		Diesel		10518	294	400	10.07-09.21	■	■
26.400 (D 2066 LF 41)		Diesel		10518	294	400	10.07-09.21	■	■
26.400 (D 2066 LF 61)		Diesel		10518	294	400	10.07-09.21	■	■
26.400 (D 2066 LF 37)		Diesel		10518	294	400	07.08-09.21	■	■
26.400 (D 2066 LF 41)		Diesel		10518	294	400	07.08-09.21	■	■
26.400 (D 2066 LF 61)		Diesel		10518	294	400	07.08-09.21	■	■
26.400 (D 2066 LF 37)		Diesel		10518	294	400	10.07-09.21	■	■
26.400 (D 2066 LF 37)		Diesel		10518	294	400	12.07-	■	■
26.400		Diesel		10518	294	400	06.06-09.21	■	■
28.400 (D 2066 LF 26)		Diesel		10518	294	400	10.07-09.21	■	■
28.400 (D 2066 LF 37)		Diesel		10518	294	400	10.07-09.21	■	■
28.400 (D 2066 LF 41)		Diesel		10518	294	400	10.07-09.21	■	■
28.400 (D 2066 LF 61)		Diesel		10518	294	400	10.07-09.21	■	■

# LISTA DE APLICACIONES - BUYERS GUIDE

33.400 (D 2066 LF 26)		Diesel		10518	294	400	10.07-09.21	■	■
33.400 (D 2066 LF 37)		Diesel		10518	294	400	10.07-09.21	■	■
33.400 (D 2066 LF 41)		Diesel		10518	294	400	10.07-09.21	■	■
33.400 (D 2066 LF 61)		Diesel		10518	294	400	10.07-09.21	■	■
35.400 (D 2066 LF 26)		Diesel		10518	294	400	06.08-09.21	■	■
35.400 (D 2066 LF 37)		Diesel		10518	294	400	06.08-09.21	■	■
35.400 (D 2066 LF 41)		Diesel		10518	294	400	06.08-09.21	■	■
18.440 (D 2066 LF 25)		Diesel		10518	324	440	10.07-09.21	■	■
18.440 (D 2066 LF 36)		Diesel		10518	324	440	10.07-09.21	■	■
18.440 (D 2066 LF 40)		Diesel		10518	324	440	10.07-09.21	■	■
18.440 (D 2066 LF 25)		Diesel		10518	324	440	10.07-09.21	■	■
18.440 (D 2066 LF 36)		Diesel		10518	324	440	10.07-09.21	■	■
24.440 (D 2066 LF 25)		Diesel		10518	324	440	10.07-09.21	■	■
24.440 (D 2066 LF 36)		Diesel		10518	324	440	10.07-09.21	■	■
24.440 (D 2066 LF 40)		Diesel		10518	324	440	10.07-09.21	■	■
24.440		Diesel		10518	324	441	04.07-09.21	■	■
26.440 (D 2066 LF 25)		Diesel		10518	324	440	10.07-09.21	■	■
26.440 (D 2066 LF 36)		Diesel		10518	324	440	10.07-09.21	■	■
26.440 (D 2066 LF 40)		Diesel		10518	324	440	10.07-09.21	■	■
26.440 (D 2066 LF 36)		Diesel		10518	324	440	07.08-09.21	■	■
26.440 (D 2066 LF 40)		Diesel		10518	324	440	07.08-09.21	■	■
26.440 (D 2066 LF 36)		Diesel		10518	324	440	09.07-09.21	■	■
26.440 (D 2066 LF 36)		Diesel		10518	324	440	12.07-	■	■
26.440		Diesel		10518	324	441	06.06-09.21	■	■
28.440 (D 2066 LF 25)		Diesel		10518	324	440	10.07-09.21	■	■
28.440 (D 2066 LF 36)		Diesel		10518	324	440	10.07-09.21	■	■
28.440 (D 2066 LF 40)		Diesel		10518	324	440	10.07-09.21	■	■
33.440 (D 2066 LF 25)		Diesel		10518	324	440	10.07-09.21	■	■
33.440 (D 2066 LF 36)		Diesel		10518	324	440	10.07-09.21	■	■
33.440 (D 2066 LF 40)		Diesel		10518	324	440	10.07-09.21	■	■
35.440 (D 2066 LF 25)		Diesel		10518	324	440	06.08-09.21	■	■
35.440 (D 2066 LF 36)		Diesel		10518	324	440	06.08-09.21	■	■
35.440 (D 2066 LF 40)		Diesel		10518	324	440	06.08-09.21	■	■
18.400		Diesel		12419	294	400	08.12-09.21	■	■
18.400		Diesel		12419	294	400	08.12-09.21	■	■
24.400		Diesel		12419	294	400	08.12-09.21	■	■
24.400		Diesel		12419	294	400	08.12-09.21	■	■
26.400		Diesel		12419	294	400	08.12-09.21	■	■
26.400		Diesel		12419	294	400	08.12-09.21	■	■
26.400		Diesel		12419	294	400	08.12-09.21	■	■
28.400		Diesel		12419	294	400	08.12-09.21	■	■
33.400		Diesel		12419	294	400	08.12-09.21	■	■
35.400		Diesel		12419	294	400	08.12-09.21	■	■
18.420		Diesel		12419	309	420	09.16-09.21	■	■
24.420		Diesel		12419	309	420	09.16-09.21	■	■
24.420		Diesel		12419	309	420	09.16-09.21	■	■
26.420		Diesel		12419	309	420	09.16-09.21	■	■
26.420		Diesel		12419	309	420	09.16-09.21	■	■
26.420		Diesel		12419	309	420	09.16-09.21	■	■
28.420		Diesel		12419	309	420	09.16-09.21	■	■
33.420		Diesel		12419	309	420	09.16-09.21	■	■

# LISTA DE APLICACIONES - BUYERS GUIDE

35.420		Diesel		12419	309	420	09.16-09.21	■	
18.430		Diesel		12419	316	430	01.19-09.21	■	■
24.430		Diesel		12419	316	430	01.19-09.21	■	■
24.430		Diesel		12419	316	430	01.19-09.21	■	■
26.430		Diesel		12419	316	430	01.19-09.21	■	■
26.430		Diesel		12419	316	430	01.19-09.21	■	■
26.430		Diesel		12419	316	430	01.19-09.21	■	■
28.430		Diesel		12419	316	430	01.19-09.21	■	■
33.430		Diesel		12419	316	430	01.19-09.21	■	■
35.430		Diesel		12419	316	430	01.19-09.21	■	■
18.440 (D 2676 LF 22)		Diesel		12419	324	440	10.07-09.21	■	■
18.440 (D 2676 LF 26)		Diesel		12419	324	440	10.07-09.21	■	■
18.440		Diesel		12419	324	441	06.06-09.21	■	■
24.440		Diesel		12419	324	441	04.07-09.21	■	■
26.440		Diesel		12419	324	441	06.06-09.21	■	■
18.460		Diesel		12419	338	460	09.16-09.21	■	
24.460		Diesel		12419	338	460	09.16-09.21	■	
24.460		Diesel		12419	338	460	09.16-09.21	■	■
26.460		Diesel		12419	338	460	09.16-09.21	■	
26.460		Diesel		12419	338	460	09.16-09.21	■	
26.460		Diesel		12419	338	460	09.16-09.21	■	
28.460		Diesel		12419	338	460	09.16-09.21	■	
33.460		Diesel		12419	338	460	09.16-09.21	■	
35.460		Diesel		12419	338	460	09.16-09.21	■	
18.470		Diesel		12419	346	470	01.19-09.21	■	■
24.470		Diesel		12419	346	470	01.19-09.21	■	■
24.470		Diesel		12419	346	470	01.19-09.21	■	■
26.470		Diesel		12419	346	470	01.19-09.21	■	■
26.470		Diesel		12419	346	470	01.19-09.21	■	■
26.470		Diesel		12419	346	470	01.19-09.21	■	■
28.470		Diesel		12419	346	470	01.19-09.21	■	■
33.470		Diesel		12419	346	470	01.19-09.21	■	■
35.470		Diesel		12419	346	470	01.19-09.21	■	■
18.480 (D 2676 LF 05)		Diesel		12419	353	480	10.07-09.21	■	■
18.480 (D 2676 LF 07)		Diesel		12419	353	480	10.07-09.21	■	■
18.480 (D 2676 LF 14)		Diesel		12419	353	480	10.07-09.21	■	■
18.480 (D 2676 LF 21)		Diesel		12419	353	480	10.07-09.21	■	■
18.480 (D 2676 LF 25)		Diesel		12419	353	480	10.07-09.21	■	■
18.480 (D 2676 LF 05)		Diesel		12419	353	480	10.07-09.21	■	■
18.480 (D 2676 LF 14)		Diesel		12419	353	480	10.07-09.21	■	■
24.480 (D 2676 LF 05)		Diesel		12419	353	480	10.07-09.21	■	■
24.480 (D 2676 LF 07)		Diesel		12419	353	480	10.07-09.21	■	■
24.480 (D 2676 LF 14)		Diesel		12419	353	480	10.07-09.21	■	■
24.480 (D 2676 LF 25)		Diesel		12419	353	480	10.07-09.21	■	■
24.480		Diesel		12419	353	480	04.07-09.21	■	■
26.480 (D 2676 LF 05)		Diesel		12419	353	480	10.07-09.21	■	■
26.480 (D 2676 LF 07)		Diesel		12419	353	480	10.07-09.21	■	■
26.480 (D 2676 LF 14)		Diesel		12419	353	480	10.07-09.21	■	■
26.480 (D 2676 LF 25)		Diesel		12419	353	480	10.07-09.21	■	■
26.480 (D 2676 LF 05)		Diesel		12419	353	480	09.07-09.21	■	■
26.480 (D 2676 LF 05)		Diesel		12419	353	480	07.08-09.21	■	■

# LISTA DE APLICACIONES - BUYERS GUIDE

26.480 (D 2676 LF 07)		Diesel		12419	353	480	07.08-09.21	■	■
26.480 (D 2676 LF 25)		Diesel		12419	353	480	07.08-09.21	■	■
26.480 (D 2676 LF 05)		Diesel		12419	353	480	12.07-	■	■
26.480		Diesel		12419	353	480	06.06-09.21	■	■
28.480 (D 2676 LF 05)		Diesel		12419	353	480	10.07-09.21	■	■
28.480 (D 2676 LF 07)		Diesel		12419	353	480	10.07-09.21	■	■
28.480 (D 2676 LF 14)		Diesel		12419	353	480	10.07-09.21	■	■
28.480 (D 2676 LF 25)		Diesel		12419	353	480	10.07-09.21	■	■
33.480 (D 2676 LF 05)		Diesel		12419	353	480	10.07-09.21	■	■
33.480 (D 2676 LF 07)		Diesel		12419	353	480	10.07-09.21	■	■
33.480 (D 2676 LF 14)		Diesel		12419	353	480	10.07-09.21	■	■
33.480 (D 2676 LF 25)		Diesel		12419	353	480	10.07-09.21	■	■
35.480 (D 2676 LF 05)		Diesel		12419	353	480	06.08-09.21	■	■
35.480 (D 2676 LF 07)		Diesel		12419	353	480	06.08-09.21	■	■
35.480 (D 2676 LF 14)		Diesel		12419	353	480	06.08-09.21	■	■
18.500		Diesel		12419	368	500	09.16-09.21	■	
24.500		Diesel		12419	368	500	09.16-09.21	■	
24.500		Diesel		12419	368	500	09.16-09.21	■	■
26.500		Diesel		12419	368	500	09.16-09.21	■	
26.500		Diesel		12419	368	500	09.16-09.21	■	
26.500		Diesel		12419	368	500	09.16-09.21	■	
28.500		Diesel		12419	368	500	09.16-09.21	■	
33.500		Diesel		12419	368	500	09.16-09.21	■	
35.500		Diesel		12419	368	500	09.16-09.21	■	
18.510		Diesel		12419	375	510	01.19-09.21	■	■
24.510		Diesel		12419	375	510	01.19-09.21	■	■
24.510		Diesel		12419	375	510	01.19-09.21	■	■
26.510		Diesel		12419	375	510	01.19-09.21	■	■
26.510		Diesel		12419	375	510	01.19-09.21	■	■
26.510		Diesel		12419	375	510	01.19-09.21	■	■
28.510		Diesel		12419	375	510	01.19-09.21	■	■
33.510		Diesel		12419	375	510	01.19-09.21	■	■
35.510		Diesel		12419	375	510	01.19-09.21	■	■
18.540 (D 2676 LF 06)		Diesel		12419	397	540	10.07-09.21	■	■
18.540 (D 2676 LF 13)		Diesel		12419	397	540	10.07-09.21	■	■
18.540 (D 2676 LF 13)		Diesel		12419	397	540	10.07-09.21	■	■
24.540 (D 2676 LF 06)		Diesel		12419	397	540	02.09-09.21	■	■
24.540		Diesel		12419	397	540	04.07-09.21	■	■
26.540 (D 2676 LF 06)		Diesel		12419	397	540	10.07-09.21	■	■
26.540 (D 2676 LF 13)		Diesel		12419	397	540	10.07-09.21	■	■
26.540 (D 2676 LF 06)		Diesel		12419	397	540	02.09-09.21	■	■
26.540		Diesel		12419	397	540	06.06-09.21	■	■
28.540 (D 2676 LF 06)		Diesel		12419	397	540	10.07-09.21	■	■
28.540 (D 2676 LF 13)		Diesel		12419	397	540	10.07-09.21	■	■
33.540 (D 2676 LF 06)		Diesel		12419	397	540	10.07-09.21	■	■
33.540 (D 2676 LF 13)		Diesel		12419	397	540	10.07-09.21	■	■
35.540 (D 2676 LF 06)		Diesel		12419	397	540	06.08-09.21	■	■
35.540 (D 2676 LF 13)		Diesel		12419	397	540	06.08-09.21	■	■
18.520		Diesel		15256	383	521	01.14-09.21	■	■
26.520		Diesel		15256	383	521	01.14-09.21	■	■
26.520		Diesel		15256	383	521	01.14-09.21	■	■

# LISTA DE APLICACIONES - BUYERS GUIDE

26.520		Diesel		15256	383	521	01.14-09.21	■	■
28.520		Diesel		15256	383	521	01.14-09.21	■	■
33.520		Diesel		15256	383	521	01.14-09.21	■	■
35.520		Diesel		15256	383	521	01.14-09.21	■	■
18.540		Diesel		15256	397	540	09.16-09.21	■	
26.540		Diesel		15256	397	540	09.16-09.21	■	
26.540		Diesel		15256	397	540	09.16-09.21	■	
26.540		Diesel		15256	397	540	09.16-09.21	■	
28.540		Diesel		15256	397	540	09.16-09.21	■	
33.540		Diesel		15256	397	540	09.16-09.21	■	
35.540		Diesel		15256	397	540	09.16-09.21	■	
18.560		Diesel		15256	412	560	01.14-09.21	■	■
26.560		Diesel		15256	412	560	01.14-09.21	■	■
26.560		Diesel		15256	412	560	01.14-09.21	■	■
26.560		Diesel		15256	412	560	01.14-09.21	■	■
28.560		Diesel		15256	412	560	01.14-09.21	■	■
33.560		Diesel		15256	412	560	01.14-09.21	■	■
35.560		Diesel		15256	412	560	01.14-09.21	■	■
18.580		Diesel		15256	427	581	09.16-09.21	■	
26.580		Diesel		15256	427	581	09.16-09.21	■	
26.580		Diesel		15256	427	581	09.16-09.21	■	
26.580		Diesel		15256	427	581	09.16-09.21	■	
28.580		Diesel		15256	427	581	09.16-09.21	■	
33.580		Diesel		15256	427	581	09.16-09.21	■	
35.580		Diesel		15256	427	581	09.16-09.21	■	
26.640		Diesel		15256	471	640	09.16-09.21	■	
26.640		Diesel		15256	471	640	09.16-09.21	■	
26.640		Diesel		15256	471	640	09.16-09.21	■	
33.640		Diesel		15256	471	640	09.16-09.21	■	
35.640		Diesel		15256	471	640	09.16-09.21	■	
33.680 (D 2868 LF02)		Diesel		16162	500	680	10.07-01.16	■	■
33.680 (D 2868 LF05)		Diesel		16162	500	680	10.07-01.16	■	■
<b>TGX 06.06-</b>				<b>Truck Tractor</b>					
18.330		Diesel		9037	243	330	01.19-09.21	■	■
18.330		Diesel		9037	243	330	01.19-09.21	■	■
26.330		Diesel		9037	243	330	01.19-09.21	■	■
28.330		Diesel		9037	243	330	01.19-09.21	■	■
33.330		Diesel		9037	243	330	01.19-09.21	■	■
18.360		Diesel		9037	265	360	01.19-09.21	■	■
28.360		Diesel		9037	265	360	01.19-09.21	■	■
33.360		Diesel		9037	265	360	01.19-09.21	■	■
18.400		Diesel		9037	294	400	01.19-09.21	■	■
28.400		Diesel		9037	294	400	01.19-09.21	■	■
33.400		Diesel		9037	294	400	01.19-09.21	■	■
26.320 (D 2066 LF 28)		Diesel		10518	235	320	10.07-09.21	■	■
26.320 (D 2066 LF 43)		Diesel		10518	235	320	10.07-09.21	■	■
26.320		Diesel		10518	235	320	06.06-09.21	■	■
18.360 (D 2066 LF 27)		Diesel		10518	265	360	10.07-09.21	■	■
18.360 (D 2066 LF 38)		Diesel		10518	265	360	10.07-09.21	■	■
18.360 (D 2066 LF 42)		Diesel		10518	265	360	10.07-09.21	■	■
18.360 (D 2066 LF 52)		Diesel		10518	265	360	10.07-09.21	■	■



# LISTA DE APLICACIONES - BUYERS GUIDE

26.400 (D 2066 LF 61)	Diesel	10518	294	400	06.06-09.21	■	■
26.400 (D 2066 LF 37)	Diesel	10518	294	400	12.07-	■	■
26.400 (D 2066 LF 37)	Diesel	10518	294	400	05.08-	■	■
26.400 (D 2066 LF 37)	Diesel	10518	294	400	05.08-07.19	■	■
26.400	Diesel	10518	294	400	10.07-09.21	■	■
28.400 (D 2066 LF 26)	Diesel	10518	294	400	10.07-09.21	■	■
28.400 (D 2066 LF 37)	Diesel	10518	294	400	10.07-09.21	■	■
28.400 (D 2066 LF 41)	Diesel	10518	294	400	10.07-09.21	■	■
28.400 (D 2066 LF 61)	Diesel	10518	294	400	10.07-09.21	■	■
33.400 (D 2066 LF 26)	Diesel	10518	294	400	10.07-09.21	■	■
33.400 (D 2066 LF 37)	Diesel	10518	294	400	10.07-09.21	■	■
33.400 (D 2066 LF 41)	Diesel	10518	294	400	10.07-09.21	■	■
33.400 (D 2066 LF 61)	Diesel	10518	294	400	10.07-09.21	■	■
18.440 (D 2066 LF 25)	Diesel	10518	324	440	10.07-09.21	■	■
18.440 (D 2066 LF 36)	Diesel	10518	324	440	10.07-09.21	■	■
18.440 (D 2066 LF 40)	Diesel	10518	324	440	10.07-09.21	■	■
18.440 (D 2066 LF 25)	Diesel	10518	324	440	10.07-09.21	■	■
18.440 (D 2066 LF 36)	Diesel	10518	324	440	10.07-09.21	■	■
18.440 (D 2066 LF 40)	Diesel	10518	324	440	10.07-09.21	■	■
24.440 (D 2066 LF 25)	Diesel	10518	324	440	10.07-09.21	■	■
24.440 (D 2066 LF 36)	Diesel	10518	324	440	10.07-09.21	■	■
24.440 (D 2066 LF 40)	Diesel	10518	324	440	10.07-09.21	■	■
26.440 (D 2066 LF 25)	Diesel	10518	324	440	10.07-09.21	■	■
26.440 (D 2066 LF 36)	Diesel	10518	324	440	10.07-09.21	■	■
26.440 (D 2066 LF 40)	Diesel	10518	324	440	10.07-09.21	■	■
26.440 (D 2066 LF 36)	Diesel	10518	324	440	10.07-09.21	■	■
26.440 (D 2066 LF 36)	Diesel	10518	324	440	12.07-09.21	■	■
26.440 (D 2066 LF 40)	Diesel	10518	324	440	12.07-09.21	■	■
26.440 (D 2066 LF 36)	Diesel	10518	324	440	12.07-	■	■
26.440 (D 2066 LF 36)	Diesel	10518	324	440	05.08-	■	■
26.440 (D 2066 LF 36)	Diesel	10518	324	440	05.08-07.19	■	■
26.440	Diesel	10518	324	440	10.07-09.21	■	■
28.440 (D 2066 LF 25)	Diesel	10518	324	440	10.07-09.21	■	■
28.440 (D 2066 LF 36)	Diesel	10518	324	440	10.07-09.21	■	■
28.440 (D 2066 LF 40)	Diesel	10518	324	440	10.07-09.21	■	■
33.440 (D 2066 LF 25)	Diesel	10518	324	440	10.07-09.21	■	■
33.440 (D 2066 LF 36)	Diesel	10518	324	440	10.07-09.21	■	■
33.440 (D 2066 LF 40)	Diesel	10518	324	440	10.07-09.21	■	■
26.480 (D 2676 LF 05)	Diesel	12412	353	480	12.07-	■	■
26.480 (D 2676 LF 05)	Diesel	12412	353	480	05.08-	■	■
18.400	Diesel	12419	294	400	08.12-09.21	■	■
18.400	Diesel	12419	294	400	08.12-09.21	■	■
26.400	Diesel	12419	294	400	08.12-09.21	■	■
28.400	Diesel	12419	294	400	08.12-09.21	■	■
33.400	Diesel	12419	294	400	08.12-09.21	■	■
18.420	Diesel	12419	309	420	09.16-09.21	■	■
18.420	Diesel	12419	309	420	09.16-09.21	■	■
24.420	Diesel	12419	309	420	09.16-09.21	■	■
26.420	Diesel	12419	309	420	09.16-09.21	■	■
26.420	Diesel	12419	309	420	09.16-09.21	■	■
26.420	Diesel	12419	309	420	09.16-09.21	■	■

# LISTA DE APLICACIONES - BUYERS GUIDE

28.420		Diesel		12419	309	420	09.16-09.21	■	
33.420		Diesel		12419	309	420	09.16-09.21	■	
18.430		Diesel		12419	316	430	01.19-09.21	■	■
18.430		Diesel		12419	316	430	01.19-09.21	■	■
26.430		Diesel		12419	316	430	01.19-09.21	■	■
28.430		Diesel		12419	316	430	01.19-09.21	■	■
33.430		Diesel		12419	316	430	01.19-09.21	■	■
18.440 (D 2676 LF 22)		Diesel		12419	324	440	10.07-09.21	■	■
18.440 (D 2676 LF 26)		Diesel		12419	324	440	10.07-09.21	■	■
24.440 (D 2676 LF 22)		Diesel		12419	324	440	10.07-09.21	■	■
24.440 (D 2676 LF 26)		Diesel		12419	324	440	10.07-09.21	■	■
26.440 (D 2676 LF 22)		Diesel		12419	324	440	07.08-09.21	■	■
26.440 (D 2676 LF 22)		Diesel		12419	324	440	10.12-09.21	■	■
26.440 (D 2676 LF 26)		Diesel		12419	324	440	10.12-09.21	■	■
26.440		Diesel		12419	324	441	08.07-07.19	■	■
18.460		Diesel		12419	338	460	09.16-09.21	■	
18.460		Diesel		12419	338	460	09.16-09.21	■	
24.460		Diesel		12419	338	460	09.16-09.21	■	
26.460		Diesel		12419	338	460	09.16-09.21	■	
26.460		Diesel		12419	338	460	09.16-09.21	■	
26.460		Diesel		12419	338	460	09.16-09.21	■	
28.460		Diesel		12419	338	460	09.16-09.21	■	
33.460		Diesel		12419	338	460	09.16-09.21	■	
18.470		Diesel		12419	346	470	01.19-09.21	■	■
18.470		Diesel		12419	346	470	01.19-09.21	■	■
26.470		Diesel		12419	346	470	01.19-09.21	■	■
28.470		Diesel		12419	346	470	01.19-09.21	■	■
33.470		Diesel		12419	346	470	01.19-09.21	■	■
18.480 (D 2676 LF 05)		Diesel		12419	353	480	10.07-09.21	■	■
18.480 (D 2676 LF 07)		Diesel		12419	353	480	10.07-09.21	■	■
18.480 (D 2676 LF 14)		Diesel		12419	353	480	10.07-09.21	■	■
18.480 (D 2676 LF 21)		Diesel		12419	353	480	10.07-09.21	■	■
18.480 (D 2676 LF 25)		Diesel		12419	353	480	10.07-09.21	■	■
18.480 (D 2676 LF 05)		Diesel		12419	353	480	10.07-09.21	■	■
18.480 (D 2676 LF 07)		Diesel		12419	353	480	10.07-09.21	■	■
18.480 (D 2676 LF 14)		Diesel		12419	353	480	10.07-09.21	■	■
18.480 (D 2676 LF 25)		Diesel		12419	353	480	10.07-09.21	■	■
24.480 (D 2676 LF 05)		Diesel		12419	353	480	10.07-09.21	■	■
24.480 (D 2676 LF 07)		Diesel		12419	353	480	10.07-09.21	■	■
24.480 (D 2676 LF 14)		Diesel		12419	353	480	10.07-09.21	■	■
24.480 (D 2676 LF 21)		Diesel		12419	353	480	10.07-09.21	■	■
24.480 (D 2676 LF 25)		Diesel		12419	353	480	10.07-09.21	■	■
26.480 (D 2676 LF 05)		Diesel		12419	353	480	10.07-09.21	■	■
26.480 (D 2676 LF 07)		Diesel		12419	353	480	10.07-09.21	■	■
26.480 (D 2676 LF 14)		Diesel		12419	353	480	10.07-09.21	■	■
26.480 (D 2676 LF 21)		Diesel		12419	353	480	10.07-09.21	■	■
26.480 (D 2676 LF 25)		Diesel		12419	353	480	10.07-09.21	■	■
26.480 (D 2676 LF 05)		Diesel		12419	353	480	10.07-09.21	■	■
26.480 (D 2676 LF 05)		Diesel		12419	353	480	12.07-09.21	■	■
26.480 (D 2676 LF 07)		Diesel		12419	353	480	12.07-09.21	■	■
26.480 (D 2676 LF 25)		Diesel		12419	353	480	12.07-09.21	■	■

# LISTA DE APLICACIONES - BUYERS GUIDE

26.480 (D 2676 LF 05)		Diesel		12419	353	480	05.08-07.19	■	■
26.480 (D 2676 LF 07)		Diesel		12419	353	480	05.08-07.19	■	■
26.480		Diesel		12419	353	480	10.07-09.21	■	■
27.480		Diesel		12419	353	480	04.11-09.21	■	■
28.480 (D 2676 LF 05)		Diesel		12419	353	480	10.07-09.21	■	■
28.480 (D 2676 LF 07)		Diesel		12419	353	480	10.07-09.21	■	■
28.480 (D 2676 LF 14)		Diesel		12419	353	480	10.07-09.21	■	■
28.480 (D 2676 LF 25)		Diesel		12419	353	480	10.07-09.21	■	■
33.480 (D 2676 LF 05)		Diesel		12419	353	480	10.07-09.21	■	■
33.480 (D 2676 LF 07)		Diesel		12419	353	480	10.07-09.21	■	■
33.480 (D 2676 LF 14)		Diesel		12419	353	480	10.07-09.21	■	■
33.480 (D 2676 LF 16)		Diesel		12419	353	480	10.07-09.21	■	■
33.480 (D 2676 LF 25)		Diesel		12419	353	480	10.07-09.21	■	■
18.500		Diesel		12419	368	500	09.16-09.21	■	
18.500		Diesel		12419	368	500	09.16-09.21	■	
24.500		Diesel		12419	368	500	09.16-09.21	■	
26.500		Diesel		12419	368	500	09.16-09.21	■	
26.500		Diesel		12419	368	500	09.16-09.21	■	
26.500		Diesel		12419	368	500	09.16-09.21	■	
28.500		Diesel		12419	368	500	09.16-09.21	■	
33.500		Diesel		12419	368	500	09.16-09.21	■	
18.510		Diesel		12419	375	510	01.19-09.21	■	■
18.510		Diesel		12419	375	510	01.19-09.21	■	■
26.510		Diesel		12419	375	510	01.19-09.21	■	■
28.510		Diesel		12419	375	510	01.19-09.21	■	■
33.510		Diesel		12419	375	510	01.19-09.21	■	■
18.540 (D 2676 LF 06)		Diesel		12419	397	540	10.07-09.21	■	■
18.540 (D 2676 LF 13)		Diesel		12419	397	540	10.07-09.21	■	■
18.540 (D 2676 LF 06)		Diesel		12419	397	540	10.07-09.21	■	■
18.540 (D 2676 LF 13)		Diesel		12419	397	540	10.07-09.21	■	■
24.540 (D 2676 LF 06)		Diesel		12419	397	540	10.07-09.21	■	■
24.540 (D 2676 LF 13)		Diesel		12419	397	540	10.07-09.21	■	■
26.540 (D 2676 LF 06)		Diesel		12419	397	540	10.07-09.21	■	■
26.540 (D 2676 LF 13)		Diesel		12419	397	540	10.07-09.21	■	■
26.540 (D 2676 LF 06)		Diesel		12419	397	540	02.09-09.21	■	■
26.540		Diesel		12419	397	540	10.07-09.21	■	■
28.540 (D 2676 LF 06)		Diesel		12419	397	540	02.09-09.21	■	■
28.540		Diesel		12419	397	540	08.09-09.21	■	■
33.540 (D 2676 LF 06)		Diesel		12419	397	540	10.07-09.21	■	■
33.540 (D 2676 LF 13)		Diesel		12419	397	540	10.07-09.21	■	■
41.540 (D 2676 LF 06)		Diesel		12419	397	540	06.08-09.21	■	■
41.540 (D 2676 LF 13)		Diesel		12419	397	540	06.08-09.21	■	■
18.520 (D 3876 LF02)		Diesel		15256	383	520	09.14-09.21	■	■
26.520		Diesel		15256	383	521	01.14-09.21	■	■
28.520		Diesel		15256	383	521	01.14-09.21	■	■
33.520		Diesel		15256	383	521	01.14-09.21	■	■
18.540		Diesel		15256	397	540	09.16-09.21	■	
26.540		Diesel		15256	397	540	09.16-09.21	■	
26.540		Diesel		15256	397	540	09.16-09.21	■	
26.540		Diesel		15256	397	540	09.16-09.21	■	
28.540		Diesel		15256	397	540	09.16-09.21	■	

# LISTA DE APLICACIONES - BUYERS GUIDE

33.540		Diesel		15256	397	540	09.16-09.21	■		
18.560 (D 3876 LF01)		Diesel		15256	412	560	09.14-09.21	■	■	
26.560		Diesel		15256	412	560	01.14-09.21	■	■	
28.560		Diesel		15256	412	560	01.14-09.21	■	■	
33.560		Diesel		15256	412	560	01.14-09.21	■	■	
41.560		Diesel		15256	412	560	01.14-09.21	■	■	
18.580		Diesel		15256	427	581	09.16-09.21	■		
26.580		Diesel		15256	427	581	09.16-09.21	■		
26.580		Diesel		15256	427	581	09.16-09.21	■		
26.580		Diesel		15256	427	581	09.16-09.21	■		
28.580		Diesel		15256	427	581	09.16-09.21	■		
33.580		Diesel		15256	427	581	09.16-09.21	■		
41.580		Diesel		15256	427	581	09.16-09.21	■		
18.640 (D 3876 LF03)		Diesel		15256	471	640	09.16-09.21	■	■	
26.640		Diesel		15256	471	640	09.16-09.21	■		
26.640		Diesel		15256	471	640	09.16-09.21	■		
26.640		Diesel		15256	471	640	09.16-09.21	■		
33.640		Diesel		15256	471	640	09.16-09.21	■		
41.640 (D 3876 LF03)		Diesel		15256	471	640	09.14-09.21	■	■	
18.680 (D 2868 LF02)		Diesel		16162	500	680	10.07-01.16	■	■	
18.680 (D 2868 LF03)		Diesel		16162	500	680	10.07-01.16	■	■	
18.680 (D 2868 LF05)		Diesel		16162	500	680	10.07-01.16	■	■	
33.680 (D 2868 LF02)		Diesel		16162	500	680	10.07-01.16	■	■	
33.680 (D 2868 LF05)		Diesel		16162	500	680	10.07-01.16	■	■	
41.680 (D 2868 LF03)		Diesel		16162	500	680	10.07-06.19	■	■	
41.680 (D 2868 LF05)		Diesel		16162	500	680	10.07-06.19	■	■	
41.680 (D 2868 LF06)		Diesel		16162	500	680	10.07-06.19	■	■	
<b>TGX II 02.20-</b>							<b>Platform/Chassis</b>			
26.330		Diesel		9037	243	330	02.20-	■	■	
35.330		Diesel		9037	243	330	02.20-	■		
26.360		Diesel		9037	265	360	02.20-	■	■	
35.360		Diesel		9037	265	360	02.20-	■		
26.400		Diesel		9037	294	400	02.20-	■	■	
35.400		Diesel		9037	294	400	02.20-	■		
26.430		Diesel		12419	316	430	02.20-	■	■	
35.430		Diesel		12419	316	430	02.20-	■		
26.470		Diesel		12419	346	470	02.20-	■	■	
35.470		Diesel		12419	346	470	02.20-	■		
26.510		Diesel		12419	375	510	02.20-	■	■	
35.510		Diesel		12419	375	510	02.20-	■		
26.540		Diesel		15256	397	540	02.20-	■	■	
35.540		Diesel		15256	397	540	02.20-	■		
26.580		Diesel		15256	427	581	02.20-	■	■	
35.580		Diesel		15256	427	581	02.20-	■		
26.640		Diesel		15256	471	640	02.20-	■	■	
35.640		Diesel		15256	471	640	02.20-	■		
<b>TGX II 02.20-</b>							<b>Truck Tractor</b>			
18.330		Diesel		9037	243	330	02.20-	■		
28.330		Diesel		9037	243	330	02.20-	■	■	
18.360		Diesel		9037	265	360	02.20-	■		
28.360		Diesel		9037	265	360	02.20-	■	■	

# LISTA DE APLICACIONES - BUYERS GUIDE

18.400		Diesel		9037	294	400	02.20-	■	
28.400		Diesel		9037	294	400	02.20-	■	■
18.430		Diesel		12419	316	430	02.20-	■	
28.430		Diesel		12419	316	430	02.20-	■	■
18.470		Diesel		12419	346	470	02.20-	■	
28.470		Diesel		12419	346	470	02.20-	■	■
18.510		Diesel		12419	375	510	02.20-	■	
28.510		Diesel		12419	375	510	02.20-	■	■
28.540		Diesel		15256	397	540	02.20-	■	■
28.580		Diesel		15256	427	581	02.20-	■	■
28.640		Diesel		15256	471	640	02.20-	■	■

## MERCEDES-BENZ

<b>ACTROS 04.96-10.03</b>								<b>Concrete Mixer</b>	
2631B (OM 541.920)		Diesel		11946	230	313	04.97-10.02	■	■
2631B (OM 541.940)		Diesel		11946	230	313	04.97-10.02	■	■
3231 B (OM 541.920)		Diesel		11946	230	313	04.97-10.02	■	
3231 B (OM 541.940)		Diesel		11946	230	313	04.97-10.02	■	
3331 B (OM 541.920)		Diesel		11946	230	313	04.97-10.02	■	■
3331 B (OM 541.940)		Diesel		11946	230	313	04.97-10.02	■	■
2635 B (OM 541.922)		Diesel		11946	260	354	04.97-10.02	■	■
2635 B (OM 541.942)		Diesel		11946	260	354	04.97-10.02	■	■
3235 B (OM 541.922)		Diesel		11946	260	354	04.97-10.02	■	■
3235 B (OM 541.942)		Diesel		11946	260	354	04.97-10.02	■	■
3335 B (OM 541.922)		Diesel		11946	260	354	04.97-10.02	■	■
3335 B (OM 541.942)		Diesel		11946	260	354	04.97-10.02	■	■
2640 B (OM 541.923)		Diesel		11946	290	394	04.97-10.02	■	■
2640 B (OM 541.944)		Diesel		11946	290	394	04.97-10.02	■	■
3240 B (OM 541.923)		Diesel		11946	290	394	04.97-10.02	■	■
3240 B (OM 541.944)		Diesel		11946	290	394	04.97-10.02	■	■
3340 B (OM 541.923)		Diesel		11946	290	394	04.97-10.02	■	■
3340 B (OM 541.944)		Diesel		11946	290	394	04.97-10.02	■	■
3340 B (OM 541.923)		Diesel		11946	290	394	04.97-10.02	■	■
4140 B (OM 541.923)		Diesel		11946	290	394	04.97-10.02	■	■
4140 B (OM 541.944)		Diesel		11946	290	394	04.97-10.02	■	■
2643 B (OM 541.925)		Diesel		11946	315	428	04.97-10.02	■	■
2643 B (OM 541.946)		Diesel		11946	315	428	04.97-10.02	■	■
3243 B (OM 541.925)		Diesel		11946	315	428	04.97-10.02	■	■
3243 B (OM 541.946)		Diesel		11946	315	428	04.97-10.02	■	■
3343 B (OM 541.925)		Diesel		11946	315	428	04.97-10.02	■	■
2646 B (OM 541.948)		Diesel		11946	335	456	10.97-10.02	■	■
3246 B (OM 541.948)		Diesel		11946	335	456	10.97-10.02	■	■

<b>ACTROS 04.96-10.03</b>								<b>Dump Truck</b>	
1831AK (OM 541.926)		Diesel		11946	230	313	04.97-10.02	■	■
1831AK (OM 541.941)		Diesel		11946	230	313	04.97-10.02	■	■
1831K (OM 541.920)		Diesel		11946	230	313	04.97-10.02	■	■
1831K (OM 541.940)		Diesel		11946	230	313	04.97-10.02	■	■
2031 AK (OM 541.926)		Diesel		11946	230	313	09.96-10.02	■	■
2031 AK (OM 541.941)		Diesel		11946	230	313	09.96-10.02	■	■
2031 K (OM 541.920)		Diesel		11946	230	313	04.97-10.02	■	■
2031 K (OM 541.940)		Diesel		11946	230	313	04.97-10.02	■	■
2631 K (OM 541.920)		Diesel		11946	230	313	04.97-10.02	■	■

# LISTA DE APLICACIONES - BUYERS GUIDE

2631 K (OM 541.940)	Diesel	11946	230	313	04.97-10.02	■	■
3231 K (OM 541.920)	Diesel	11946	230	313	04.97-10.02	■	■
3231 K (OM 541.940)	Diesel	11946	230	313	04.97-10.02	■	■
3331 AK (OM 541.926)	Diesel	11946	230	313	04.97-10.02	■	■
3331 AK (OM 541.941)	Diesel	11946	230	313	04.97-10.02	■	■
3331 K (OM 541.920)	Diesel	11946	230	313	04.97-10.02	■	■
3331 K (OM 541.940)	Diesel	11946	230	313	04.97-10.02	■	■
1835 AK (OM 541.927)	Diesel	11946	260	354	04.97-10.02	■	■
1835 AK (OM 541.943)	Diesel	11946	260	354	04.97-10.02	■	■
1835 K (OM 541.922)	Diesel	11946	260	354	04.97-10.02	■	■
1835 K (OM 541.942)	Diesel	11946	260	354	04.97-10.02	■	■
2635 K, 2635 LK (OM 541.922)	Diesel	11946	260	354	04.97-10.02	■	■
2635 K, 2635 LK (OM 541.942)	Diesel	11946	260	354	04.97-10.02	■	■
3235K (OM 541.922)	Diesel	11946	260	354	04.97-10.02	■	■
3235K (OM 541.942)	Diesel	11946	260	354	04.97-10.02	■	■
3335 AK (OM 541.927)	Diesel	11946	260	354	10.97-10.03	■	
3335 AK (OM 541.943)	Diesel	11946	260	354	10.97-10.03	■	
3335 K (OM 541.922)	Diesel	11946	260	354	04.97-10.02	■	■
3335 K (OM 541.942)	Diesel	11946	260	354	04.97-10.02	■	■
1840 AK (OM 541.924)	Diesel	11946	290	394	04.97-10.02	■	■
1840 AK (OM 541.945)	Diesel	11946	290	394	04.97-10.02	■	■
1840 K (OM 541.923)	Diesel	11946	290	394	04.97-10.02	■	■
1840 K (OM 541.944)	Diesel	11946	290	394	04.97-10.02	■	■
2040 AK (OM 541.924)	Diesel	11946	290	394	09.96-10.02	■	■
2040 AK (OM 541.945)	Diesel	11946	290	394	09.96-10.02	■	■
2640 K, 2640 LK (OM 541.923)	Diesel	11946	290	394	04.97-10.02	■	■
2640 K, 2640 LK (OM 541.944)	Diesel	11946	290	394	04.97-10.02	■	■
3240 K (OM 541.923)	Diesel	11946	290	394	04.97-10.02	■	■
3240 K (OM 541.944)	Diesel	11946	290	394	04.97-10.02	■	■
3340 AK (OM 541.924)	Diesel	11946	290	394	04.97-10.02	■	■
3340 AK (OM 541.945)	Diesel	11946	290	394	04.97-10.02	■	■
3340 K (OM 541.923)	Diesel	11946	290	394	04.97-10.02	■	■
3340 K (OM 541.944)	Diesel	11946	290	394	04.97-10.02	■	■
4140 AK (OM 541.924)	Diesel	11946	290	394	04.97-10.02	■	
4140 AK (OM 541.945)	Diesel	11946	290	394	04.97-10.02	■	
4140 K (OM 541.923)	Diesel	11946	290	394	04.97-10.02		■
4140 K (OM 541.944)	Diesel	11946	290	394	04.97-10.02		■
4140 K (OM 541.924)	Diesel	11946	290	394	04.97-10.02	■	
4140 K (OM 541.945)	Diesel	11946	290	394	04.97-10.02	■	
1843 AK (OM 541.921)	Diesel	11946	315	428	04.97-10.02	■	■
1843 AK (OM 541.947)	Diesel	11946	315	428	04.97-10.02	■	■
1843 K (OM 541.925)	Diesel	11946	315	428	04.97-10.02	■	■
1843 K (OM 541.946)	Diesel	11946	315	428	04.97-10.02	■	■
2643 K, 2643 LK (OM 541.925)	Diesel	11946	315	428	04.97-10.02	■	■
2643 K, 2643 LK (OM 541.946)	Diesel	11946	315	428	04.97-10.02	■	■
3243 K (OM 541.925)	Diesel	11946	315	428	04.97-10.02	■	■
3243 K (OM 541.946)	Diesel	11946	315	428	04.97-10.02	■	■
3343 AK (OM 541.921)	Diesel	11946	315	428	04.97-10.02	■	■
3343 AK (OM 541.947)	Diesel	11946	315	428	04.97-10.02	■	■
3343 K (OM 541.925)	Diesel	11946	315	428	04.97-10.02	■	■
3343 K (OM 541.946)	Diesel	11946	315	428	04.97-10.02	■	■

# LISTA DE APLICACIONES - BUYERS GUIDE

4143 AK (OM 541.921)		Diesel		11946	315	428	04.97-10.02	■	
4143 AK (OM 541.947)		Diesel		11946	315	428	04.97-10.02	■	
4143 K (OM 541.925)		Diesel		11946	315	428	04.97-10.02		■
4143 K (OM 541.946)		Diesel		11946	315	428	04.97-10.02		■
4143 K (OM 541.921)		Diesel		11946	315	428	04.97-10.02	■	
4143 K (OM 541.947)		Diesel		11946	315	428	04.97-10.02	■	
1846 AK (OM 541.948)		Diesel		11946	335	456	04.97-10.03	■	■
1846 AK (OM 541.949)		Diesel		11946	335	456	04.97-10.03	■	■
3246 K (OM 541.948)		Diesel		11946	335	456	10.97-10.02	■	■
3346 AK (OM 541.949)		Diesel		11946	335	456	10.97-10.02	■	■
3346 K (OM 541.948)		Diesel		11946	335	456	10.97-	■	■
4146 AK (OM 541.948)		Diesel		11946	335	456	10.97-10.02	■	■
4146 AK (OM 541.949)		Diesel		11946	335	456	10.97-10.02	■	■
4146 K (OM 541.948)		Diesel		11946	335	456	10.97-10.02		■
2648 K, 2648 LK (OM 541.948)		Diesel		11946	355	483	10.97-10.02	■	■
1848 AK (OM 542.925)		Diesel		15928	350	476	04.97-10.02	■	■
1848 K (OM 542.921)		Diesel		15928	350	476	04.97-10.02	■	■
1848 K (OM 542.940)		Diesel		15928	350	476	04.97-10.02	■	■
2648 K, 2648 LK (OM 542.921)		Diesel		15928	350	476	04.97-10.02	■	■
2648 K, 2648 LK (OM 542.940)		Diesel		15928	350	476	04.97-10.02	■	■
3348 AK (OM 542.925)		Diesel		15928	350	476	04.97-10.02	■	■
3348 K (OM 542.921)		Diesel		15928	350	476	04.97-10.02	■	■
3348 K (OM 542.940)		Diesel		15928	350	476	04.97-10.02	■	■
4148 AK (OM 542.925)		Diesel		15928	350	476	04.97-10.02	■	
4148 K (OM 542.921)		Diesel		15928	350	476	04.97-10.02		■
4148 K (OM 542.925)		Diesel		15928	350	476	04.97-10.02	■	
1850 AK (OM 542.941)		Diesel		15928	370	503	10.97-10.03	■	■
3350 AK (OM 542.941)		Diesel		15928	370	503	10.97-10.03	■	■
3350 K (OM 542.940)		Diesel		15928	370	503	10.97-10.02	■	■
2653 K, 2653 LK (OM 542.920)		Diesel		15928	390	530	04.97-10.02	■	■
2653 K, 2653 LK (OM 542.942)		Diesel		15928	390	530	04.97-10.02	■	■
2657 K, 2657 LK (OM 542.922)		Diesel		15928	420	571	04.97-10.02	■	■
2657 K, 2657 LK (OM 542.944)		Diesel		15928	420	571	04.97-10.02	■	■
<b>ACTROS 04.96-10.03</b>							<b>Platform/Chassis</b>		
1831, 1831 L (OM 541.920)		Diesel		11946	230	313	04.96-10.02	■	■
2031 (OM 541.920)		Diesel		11946	230	313	04.97-10.02	■	■
2031A (OM 541.926)		Diesel		11946	230	313	04.97-10.02	■	■
2531, 2531 L (OM 541.920)		Diesel		11946	230	313	09.96-10.02	■	■
2531, 2531 L (OM 541.940)		Diesel		11946	230	313	09.96-10.02	■	■
2531, 2531 L		Diesel		11946	230	313	09.96-10.02	■	
2631, 2631 L (OM 541.920)		Diesel		11946	230	313	04.96-10.02	■	■
3331 (OM 541.920)		Diesel		11946	230	313	04.97-10.02	■	■
3331 A (OM 541.926)		Diesel		11946	230	313	04.97-10.02	■	■
1835, 1835 L (OM 541.922)		Diesel		11946	260	354	04.96-10.02	■	■
2035 A (OM 541.927)		Diesel		11946	260	354	04.97-10.02	■	■
2035 A (OM 541.943)		Diesel		11946	260	354	04.97-10.02	■	■
2535 L (OM 541.922)		Diesel		11946	260	354	09.96-10.02	■	■
2535 L (OM 541.942)		Diesel		11946	260	354	09.96-10.02	■	■
2535 L		Diesel		11946	260	354	09.96-10.02	■	
2635, 2635 L (OM 541.922)		Diesel		11946	260	354	04.96-10.02	■	■
3235 (OM 541.922)		Diesel		11946	260	354	04.97-10.02	■	■

# LISTA DE APLICACIONES - BUYERS GUIDE

3235 (OM 541.942)		Diesel		11946	260	354	04.97-10.02	■	■
3335 (OM 541.922)		Diesel		11946	260	354	04.97-10.02	■	■
1840, 1840 L (OM 541.923)		Diesel		11946	290	394	04.96-10.02	■	■
2040 (OM 541.923)		Diesel		11946	290	394	09.96-10.02	■	■
2540, 2540 L (OM 541.923)		Diesel		11946	290	394	09.96-10.02	■	■
2540, 2540 L (OM 541.944)		Diesel		11946	290	394	09.96-10.02	■	■
2640, 2640 L (OM 541.923)		Diesel		11946	290	394	04.96-10.02	■	■
3240 (OM 541.923)		Diesel		11946	290	394	04.97-10.02	■	■
3240 (OM 541.944)		Diesel		11946	290	394	04.97-10.02	■	■
3340 (OM 541.923)		Diesel		11946	290	394	04.97-10.02	■	■
3340 A (OM 541.924)		Diesel		11946	290	394	04.97-10.02	■	■
1843, 1843 L (OM 541.925)		Diesel		11946	315	428	04.96-10.02	■	■
2543, 2543 L (OM 541.925)		Diesel		11946	315	428	09.96-10.02	■	■
2543, 2543 L (OM 541.946)		Diesel		11946	315	428	09.96-10.02	■	■
2643, 2643 L (OM 541.925)		Diesel		11946	315	428	04.96-10.02	■	■
3243 (OM 541.925)		Diesel		11946	315	428	04.97-10.02	■	■
3243 (OM 541.946)		Diesel		11946	315	428	04.97-10.02	■	■
3343 (OM 541.925)		Diesel		11946	315	428	04.97-10.02	■	■
3346 (OM 541.948)		Diesel		11946	335	456	04.97-10.02	■	■
1848, 1848 L (OM 542.921)		Diesel		15928	350	476	04.96-10.02	■	■
2548, 2548 L (OM 542.921)		Diesel		15928	350	476	09.96-10.02	■	■
2648, 2648 L (OM 542.921)		Diesel		15928	350	476	04.96-10.02	■	■
3348 (OM 542.921)		Diesel		15928	350	476	04.97-10.02	■	■
1853, 1853 L (OM 542.920)		Diesel		15928	390	530	04.96-10.02	■	■
2553, 2553 L (OM 542.920)		Diesel		15928	390	530	09.96-10.02	■	■
2653, 2653 L (OM 542.920)		Diesel		15928	390	530	04.96-10.02	■	■
3353 (OM 542.920)		Diesel		15928	390	530	04.97-10.02	■	■
3353 AS (OM 542.920)		Diesel		15928	390	530	04.97-10.02	■	■
3353 AS (OM 542.926)		Diesel		15928	390	530	04.97-10.02	■	■
3353 AS (OM 542.943)		Diesel		15928	390	530	04.97-10.02	■	■
1857 L (OM 542.922)		Diesel		15928	420	571	04.97-10.02	■	■
2557 L (OM 542.922)		Diesel		15928	420	571	09.96-10.02	■	■
2657 L (OM 542.922)		Diesel		15928	420	571	04.97-10.02	■	■
3357 (OM 542.922)		Diesel		15928	420	571	04.97-10.02	■	■
<b>ACTROS 04.96-10.03</b>							<b>Truck Tractor</b>		
1831 S, 1831 LS (OM 541.920)		Diesel		11946	230	313	04.96-10.02	■	■
1831 S, 1831 LS (OM 541.940)		Diesel		11946	230	313	04.96-10.02	■	■
2031AS (OM 541.926)		Diesel		11946	230	313	04.96-10.02	■	■
2031AS (OM 541.941)		Diesel		11946	230	313	04.96-10.02	■	■
2031S (OM 541.920)		Diesel		11946	230	313	04.96-10.02	■	■
2031S (OM 541.940)		Diesel		11946	230	313	04.96-10.02	■	■
2531 LS (OM 541.920)		Diesel		11946	230	313	09.96-10.02	■	■
2531 LS (OM 541.940)		Diesel		11946	230	313	09.96-10.02	■	■
3331 AS (OM 541.926)		Diesel		11946	230	313	04.97-10.02	■	■
3331 AS (OM 541.941)		Diesel		11946	230	313	04.97-10.02	■	■
3331 S (OM 541.920)		Diesel		11946	230	313	04.97-10.02	■	■
3331 S (OM 541.940)		Diesel		11946	230	313	04.97-10.02	■	■
1835 S, 1835 LS (OM 541.922)		Diesel		11946	260	354	04.96-10.02	■	■
1835 S, 1835 LS (OM 541.942)		Diesel		11946	260	354	04.96-10.02	■	■
2035 S (OM 541.922)		Diesel		11946	260	354	04.96-10.02	■	■
2035 S (OM 541.942)		Diesel		11946	260	354	04.96-10.02	■	■

## LISTA DE APLICACIONES - BUYERS GUIDE

2535 LS (OM 541.922)		Diesel		11946	260	354	09.96-10.02	■	■
2535 LS (OM 541.942)		Diesel		11946	260	354	09.96-10.02	■	■
3335 S (OM 541.922)		Diesel		11946	260	354	04.97-10.02	■	■
3336S (OM 541.942)		Diesel		11946	265	360	10.97-10.02	■	■
1840 S, 1840 LS (OM 541.923)		Diesel		11946	290	394	04.96-10.02	■	■
1840 S, 1840 LS (OM 541.944)		Diesel		11946	290	394	04.96-10.02	■	■
2040 AS (OM 541.924)		Diesel		11946	290	394	04.96-10.02	■	■
2040 AS (OM 541.945)		Diesel		11946	290	394	04.96-10.02	■	■
2040 S (OM 541.923)		Diesel		11946	290	394	04.96-10.02	■	■
2040 S (OM 541.944)		Diesel		11946	290	394	04.96-10.02	■	■
2540 LS (OM 541.923)		Diesel		11946	290	394	09.96-10.02	■	■
2540 LS (OM 541.944)		Diesel		11946	290	394	09.96-10.02	■	■
2640 S, 2640 LS (OM 541.923)		Diesel		11946	290	394	09.96-10.02	■	■
2640 S, 2640 LS (OM 541.944)		Diesel		11946	290	394	09.96-10.02	■	■
3340 AS (OM 541.924)		Diesel		11946	290	394	04.97-10.02	■	■
3340 AS (OM 541.945)		Diesel		11946	290	394	04.97-10.02	■	■
3340 S (OM 541.923)		Diesel		11946	290	394	04.97-10.02	■	■
3341 S (OM 541.944)		Diesel		11946	300	408	10.97-10.02	■	■
1843 S, 1843 LS (OM 541.925)		Diesel		11946	315	428	04.96-10.02	■	■
1843 S, 1843 LS (OM 541.946)		Diesel		11946	315	428	04.96-10.02	■	■
2043 AS (OM 541.921)		Diesel		11946	315	428	04.96-10.02	■	■
2043 AS (OM 541.925)		Diesel		11946	315	428	04.96-10.02	■	■
2043 AS (OM 541.947)		Diesel		11946	315	428	04.96-10.02	■	■
2543 LS (OM 541.925)		Diesel		11946	315	428	09.96-10.02	■	■
2543 LS (OM 541.946)		Diesel		11946	315	428	09.96-10.02	■	■
2643 S, 2643 LS (OM 541.925)		Diesel		11946	315	428	04.97-10.02	■	■
2643 S, 2643 LS (OM 541.946)		Diesel		11946	315	428	04.97-10.02	■	■
3343 AS (OM 541.921)		Diesel		11946	315	428	04.97-10.02	■	■
3343 AS (OM 541.947)		Diesel		11946	315	428	04.97-10.02	■	■
3343 S (OM 541.925)		Diesel		11946	315	428	04.97-10.02	■	■
3343 S (OM 541.946)		Diesel		11946	315	428	04.97-10.02	■	■
1846 S, 1846 LS (OM 541.948)		Diesel		11946	335	456	10.98-10.02	■	■
2046 AS (OM 541.949)		Diesel		11946	335	456	10.96-10.02	■	■
2546 LS (OM 541.948)		Diesel		11946	335	456	10.97-10.02	■	■
2646 S, 2646 LS (OM 541.948)		Diesel		11946	335	456	10.97-10.02	■	■
3346 AS (OM 541.949)		Diesel		11946	335	456	10.97-10.02	■	■
3346 S (OM 541.948)		Diesel		11946	335	456	10.97-10.02	■	■
2648 S, 2648 LS (OM 541.948)		Diesel		11946	355	483	10.97-10.02	■	■
1848 S, 1848 LS (OM 542.921)		Diesel		15928	350	476	04.96-10.02	■	■
1848 S, 1848 LS (OM 542.940)		Diesel		15928	350	476	04.96-10.02	■	■
2048 AS (OM 542.925)		Diesel		15928	350	476	04.96-10.02	■	■
2548 LS (OM 542.921)		Diesel		15928	350	476	09.96-10.02	■	■
2548 LS (OM 542.940)		Diesel		15928	350	476	09.96-10.02	■	■
2648 S, 2648 LS (OM 542.921)		Diesel		15928	350	476	09.96-10.02	■	■
2648 S, 2648 LS (OM 542.940)		Diesel		15928	350	476	09.96-10.02	■	■
3348 AS (OM 542.925)		Diesel		15928	350	476	04.97-10.02	■	■
3348 S (OM 542.921)		Diesel		15928	350	476	04.97-10.02	■	■
2050 AS (OM 542.941)		Diesel		15928	370	503	10.96-10.03	■	■
2650 S, 2650 LS (OM 542.940)		Diesel		15928	370	503	10.97-10.02	■	■
3350 AS (OM 542.941)		Diesel		15928	370	503	10.97-10.02	■	■
3350 S (OM 542.940)		Diesel		15928	370	503	10.97-10.02	■	■

# LISTA DE APLICACIONES - BUYERS GUIDE

1853 S, 1853 LS (OM 542.920)		Diesel		15928	390	530	04.96-10.02	■	■
1853 S, 1853 LS (OM 542.942)		Diesel		15928	390	530	04.96-10.02	■	■
2053 S (OM 542.920)		Diesel		15928	390	530	04.96-10.02	■	■
2053 S (OM 542.942)		Diesel		15928	390	530	04.96-10.02	■	■
2553 LS (OM 542.920)		Diesel		15928	390	530	09.96-10.02	■	■
2553 LS (OM 542.942)		Diesel		15928	390	530	09.96-10.02	■	■
2653 S, 2653 LS (OM 542.920)		Diesel		15928	390	530	09.96-10.02	■	■
2653 S, 2653 LS (OM 542.942)		Diesel		15928	390	530	09.96-10.02	■	■
3353 S (OM 542.920)		Diesel		15928	390	530	04.97-10.02	■	■
3353 S (OM 542.942)		Diesel		15928	390	530	04.97-10.02	■	■
1857 LS (OM 542.922)		Diesel		15928	420	571	04.97-10.02	■	■
1857 LS (OM 542.944)		Diesel		15928	420	571	04.97-10.02	■	■
2657 S, 2657 LS (OM 542.922)		Diesel		15928	420	571	04.97-10.02	■	■
2657 S, 2657 LS (OM 542.944)		Diesel		15928	420	571	04.97-10.02	■	■
3357 S (OM 542.922)		Diesel		15928	420	571	04.97-10.02	■	■
3357 S (OM 542.944)		Diesel		15928	420	571	04.97-10.02	■	■
<b>ACTROS MP2 / MP3 10.02-</b>				<b>Concrete Mixer</b>					
2631B (OM 541.920)		Diesel		11946	230	313	04.03-	■	■
2631B (OM 541.940)		Diesel		11946	230	313	04.03-	■	■
3231 B (OM 541.920)		Diesel		11946	230	313	04.03-	■	■
3231 B (OM 541.940)		Diesel		11946	230	313	04.03-	■	■
3331 B (OM 541.920)		Diesel		11946	230	313	04.03-	■	■
3331 B (OM 541.940)		Diesel		11946	230	313	04.03-	■	■
2632 B (OM 541.940)		Diesel		11946	235	320	04.03-	■	■
2632 B (OM 541.970)		Diesel		11946	235	320	04.03-	■	■
2632 B (OM 541.996)		Diesel		11946	235	320	04.03-	■	■
3232 B (OM 541.970)		Diesel		11946	235	320	04.03-	■	■
3232 B (OM 541.996)		Diesel		11946	235	320	04.03-	■	■
3332 B (OM 541.940)		Diesel		11946	235	320	04.03-	■	■
3332 B (OM 541.970)		Diesel		11946	235	320	04.03-	■	■
3332 B (OM 541.996)		Diesel		11946	235	320	04.03-	■	■
2635 B (OM 541.922)		Diesel		11946	260	354	04.03-	■	■
2635 B (OM 541.942)		Diesel		11946	260	354	04.03-	■	■
3235 B (OM 541.922)		Diesel		11946	260	354	04.03-	■	■
3235 B (OM 541.942)		Diesel		11946	260	354	04.03-	■	■
3335 B (OM 541.922)		Diesel		11946	260	354	04.03-	■	■
3335 B (OM 541.942)		Diesel		11946	260	354	04.03-	■	■
2636 B (OM 541.942)		Diesel		11946	265	360	04.03-	■	■
2636 B (OM 541.972)		Diesel		11946	265	360	04.03-	■	■
2636 B (OM 541.998)		Diesel		11946	265	360	04.03-	■	■
3236 B (OM 541.972)		Diesel		11946	265	360	04.03-	■	■
3236 B (OM 541.998)		Diesel		11946	265	360	04.03-	■	■
3336 B (OM 541.942)		Diesel		11946	265	360	04.03-	■	■
3336 B (OM 541.972)		Diesel		11946	265	360	04.03-	■	■
3336 B (OM 541.998)		Diesel		11946	265	360	04.03-	■	■
2640 B (OM 541.923)		Diesel		11946	290	394	04.03-	■	■
2640 B (OM 541.944)		Diesel		11946	290	394	04.03-	■	■
3240 B (OM 541.923)		Diesel		11946	290	394	04.03-	■	■
3240 B (OM 541.944)		Diesel		11946	290	394	04.03-	■	■
3339 B (OM 541.923)		Diesel		11946	290	394	04.03-	■	■
3339 B (OM 541.944)		Diesel		11946	290	394	04.03-	■	■

# LISTA DE APLICACIONES - BUYERS GUIDE

4140 B (OM 541.923)		Diesel		11946	290	394	04.03-	■	■
4140 B (OM 541.944)		Diesel		11946	290	394	04.03-	■	■
2641 B (OM 541.944)		Diesel		11946	300	408	04.03-	■	■
2641 B (OM 541.974)		Diesel		11946	300	408	04.03-	■	■
2641 B (OM 541.990)		Diesel		11946	300	408	04.03-	■	■
3241 B (OM 541.974)		Diesel		11946	300	408	04.03-	■	■
3241 B (OM 541.990)		Diesel		11946	300	408	04.03-	■	■
3341 B (OM 541.944)		Diesel		11946	300	408	04.03-	■	■
3341 B (OM 541.974)		Diesel		11946	300	408	04.03-	■	■
3341 B (OM 541.990)		Diesel		11946	300	408	04.03-	■	■
4141 B (OM 541.974)		Diesel		11946	300	408	04.03-	■	■
4141 B (OM 541.990)		Diesel		11946	300	408	04.03-	■	■
5041 B (OM 541.923)		Diesel		11946	300	408	06.08-	■	■
5041 B (OM 541.944)		Diesel		11946	300	408	06.08-	■	■
5041 B (OM 541.974)		Diesel		11946	300	408	06.08-	■	■
5041 B (OM 541.990)		Diesel		11946	300	408	06.08-	■	■
2643 B (OM 541.925)		Diesel		11946	315	428	04.03-	■	■
2643 B (OM 541.946)		Diesel		11946	315	428	04.03-	■	■
3243 B (OM 541.925)		Diesel		11946	315	428	04.03-	■	■
3243 B (OM 541.946)		Diesel		11946	315	428	04.03-	■	■
3343 B (OM 541.925)		Diesel		11946	315	428	04.03-	■	■
3343 B (OM 541.946)		Diesel		11946	315	428	04.03-	■	■
4143 B (OM 541.925)		Diesel		11946	315	428	04.03-	■	■
4143 B (OM 541.946)		Diesel		11946	315	428	04.03-	■	■
2644 B (OM 541.946)		Diesel		11946	320	435	04.03-	■	■
2644 B (OM 541.976)		Diesel		11946	320	435	04.03-	■	■
2644 B (OM 541.992)		Diesel		11946	320	435	04.03-	■	■
3244 B (OM 541.976)		Diesel		11946	320	435	04.03-	■	■
3244 B (OM 541.992)		Diesel		11946	320	435	04.03-	■	■
3344 B (OM 541.976)		Diesel		11946	320	435	04.03-	■	■
3344 B (OM 541.992)		Diesel		11946	320	435	04.03-	■	■
4144 B (OM 541.946)		Diesel		11946	320	435	04.03-	■	■
4144 B (OM 541.976)		Diesel		11946	320	435	04.03-	■	■
4144 B (OM 541.992)		Diesel		11946	320	435	04.03-	■	■
5044 B (OM 541.946)		Diesel		11946	320	435	06.08-	■	■
5044 B (OM 541.976)		Diesel		11946	320	435	06.08-	■	■
5044 B (OM 541.992)		Diesel		11946	320	435	06.08-	■	■
2646 B (OM 541.948)		Diesel		11946	335	456	04.03-	■	■
2646 B (OM 541.980)		Diesel		11946	335	456	04.03-	■	■
2646 B (OM 541.994)		Diesel		11946	335	456	04.03-	■	■
3246 B (OM 541.948)		Diesel		11946	335	456	04.03-	■	■
3246 B (OM 541.980)		Diesel		11946	335	456	04.03-	■	■
3246 B (OM 541.994)		Diesel		11946	335	456	04.03-	■	■
3346 B (OM 541.948)		Diesel		11946	335	456	04.03-	■	■
3346 B (OM 541.980)		Diesel		11946	335	456	04.03-	■	■
3346 B (OM 541.994)		Diesel		11946	335	456	04.03-	■	■
4146 B (OM 541.948)		Diesel		11946	335	456	04.03-	■	■
4146 B (OM 541.980)		Diesel		11946	335	456	04.03-	■	■
4146 B (OM 541.994)		Diesel		11946	335	456	04.03-	■	■
5046 B (OM 541.948)		Diesel		11946	335	456	06.08-	■	■
5046 B (OM 541.980)		Diesel		11946	335	456	06.08-	■	■

# LISTA DE APLICACIONES - BUYERS GUIDE

5046 B (OM 541.994)		Diesel		11946	335	456	06.08-	■	■
2648 B (OM 541.948)		Diesel		11946	350	476	04.03-	■	■
2648 B (OM 541.978)		Diesel		11946	350	476	04.03-	■	■
3248 B (OM 541.978)		Diesel		11946	350	476	04.03-	■	■
3348 B (OM 541.948)		Diesel		11946	350	476	04.03-	■	■
3348 B (OM 541.978)		Diesel		11946	350	476	04.03-	■	■
4148 B (OM 541.978)		Diesel		11946	350	476	04.03-	■	■
<b>ACTROS MP2 / MP3 10.02-</b>							<b>Dump Truck</b>		
1831AK (OM 541.926)		Diesel		11946	230	313	04.03-	■	
1831AK (OM 541.941)		Diesel		11946	230	313	04.03-	■	
1831K (OM 541.920)		Diesel		11946	230	313	04.03-	■	■
1831K (OM 541.940)		Diesel		11946	230	313	04.03-	■	■
2032 AK (OM 541.920)		Diesel		11946	230	313	04.03-	■	■
2032 AK (OM 541.926)		Diesel		11946	230	313	04.03-	■	■
2032 AK (OM 541.940)		Diesel		11946	230	313	04.03-	■	■
2032 AK (OM 541.941)		Diesel		11946	230	313	04.03-	■	■
2032 AK (OM 541.997)		Diesel		11946	230	313	04.03-	■	■
2032 K (OM 541.920)		Diesel		11946	230	313	04.03-	■	■
2032 K (OM 541.940)		Diesel		11946	230	313	04.03-	■	■
2032 K (OM 541.970)		Diesel		11946	230	313	04.03-	■	■
2032 K (OM 541.996)		Diesel		11946	230	313	04.03-	■	■
2631 K, LK (OM 541.920)		Diesel		11946	230	313	04.03-	■	■
2631 K, LK (OM 541.940)		Diesel		11946	230	313	04.03-	■	■
3231 K, 3232 K (OM 541.920)		Diesel		11946	230	313	04.03-	■	■
3231 K, 3232 K (OM 541.940)		Diesel		11946	230	313	04.03-	■	■
3231 K, 3232 K (OM 541.970)		Diesel		11946	230	313	04.03-	■	■
3231 K, 3232 K (OM 541.996)		Diesel		11946	230	313	04.03-	■	■
3331 AK, 3332 AK (OM 541.920)		Diesel		11946	230	313	04.03-	■	
3331 AK, 3332 AK (OM 541.926)		Diesel		11946	230	313	04.03-	■	
3331 AK, 3332 AK (OM 541.940)		Diesel		11946	230	313	04.03-	■	
3331 K (OM 541.920)		Diesel		11946	230	313	04.03-	■	■
3331 K (OM 541.940)		Diesel		11946	230	313	04.03-	■	■
3332 K (OM 541.920)		Diesel		11946	230	313	04.03-	■	■
3332 K (OM 541.940)		Diesel		11946	230	313	04.03-	■	■
3332 K (OM 541.970)		Diesel		11946	230	313	04.03-	■	■
3332 K (OM 541.996)		Diesel		11946	230	313	04.03-	■	■
1832 AK (OM 541.940)		Diesel		11946	235	320	04.03-	■	■
1832 AK (OM 541.971)		Diesel		11946	235	320	04.03-	■	■
1832 AK (OM 541.997)		Diesel		11946	235	320	04.03-	■	■
1832 K (OM 541.940)		Diesel		11946	235	320	04.03-	■	■
1832 K (OM 541.970)		Diesel		11946	235	320	04.03-	■	■
1832 K (OM 541.996)		Diesel		11946	235	320	04.03-	■	■
2632 K, LK (OM 541.940)		Diesel		11946	235	320	04.03-	■	■
2632 K, LK (OM 541.970)		Diesel		11946	235	320	04.03-	■	■
2632 K, LK (OM 541.996)		Diesel		11946	235	320	04.03-	■	■
3332 AK (OM 541.941)		Diesel		11946	235	320	04.03-	■	
3332 AK (OM 541.997)		Diesel		11946	235	320	04.03-	■	
3332 AKE (OM 541.997)		Diesel		11946	235	320	04.03-	■	■
1835 AK (OM 541.927)		Diesel		11946	260	354	04.03-	■	
1835 AK (OM 541.943)		Diesel		11946	260	354	04.03-	■	
1835 K (OM 541.922)		Diesel		11946	260	354	04.03-	■	■

# LISTA DE APLICACIONES - BUYERS GUIDE

1835 K (OM 541.942)		Diesel		11946	260	354	04.03-	■	■
2036 AK (OM 541.927)		Diesel		11946	260	354	04.03-	■	
2036 AK (OM 541.942)		Diesel		11946	260	354	04.03-	■	
2036 AK (OM 541.943)		Diesel		11946	260	354	04.03-	■	
2036 AK (OM 541.999)		Diesel		11946	260	354	04.03-	■	
2036 K (OM 541.922)		Diesel		11946	260	354	04.03-	■	■
2036 K (OM 541.942)		Diesel		11946	260	354	04.03-	■	■
2036 K (OM 541.972)		Diesel		11946	260	354	04.03-	■	■
2036 K (OM 541.998)		Diesel		11946	260	354	04.03-	■	■
2635 K, LK (OM 541.922)		Diesel		11946	260	354	04.03-	■	■
2635 K, LK (OM 541.942)		Diesel		11946	260	354	04.03-	■	■
3235K (OM 541.922)		Diesel		11946	260	354	04.03-	■	■
3235K (OM 541.942)		Diesel		11946	260	354	04.03-	■	■
3335 K (OM 541.922)		Diesel		11946	260	354	04.03-	■	■
3336AK (OM 541.927)		Diesel		11946	260	354	04.03-	■	
3336AK (OM 541.943)		Diesel		11946	260	354	04.03-	■	
3336AK (OM 541.973)		Diesel		11946	260	354	04.03-	■	
3336AK (OM 541.999)		Diesel		11946	260	354	04.03-	■	
3336 AKE (OM 541.927)		Diesel		11946	260	354	04.03-	■	■
3336 AKE (OM 541.943)		Diesel		11946	260	354	04.03-	■	■
3336K (OM 541.942)		Diesel		11946	260	354	04.03-	■	■
1836 AK (OM 541.942)		Diesel		11946	265	360	04.03-	■	■
1836 AK (OM 541.999)		Diesel		11946	265	360	04.03-	■	■
1836 K (OM 541.942)		Diesel		11946	265	360	04.03-	■	■
1836 K (OM 541.972)		Diesel		11946	265	360	04.03-	■	■
1836 K (OM 541.998)		Diesel		11946	265	360	04.03-	■	■
2636 K, LK (OM 541.942)		Diesel		11946	265	360	04.03-	■	■
2636 K, LK (OM 541.972)		Diesel		11946	265	360	04.03-	■	■
2636 K, LK (OM 541.998)		Diesel		11946	265	360	04.03-	■	■
3236 K (OM 541.972)		Diesel		11946	265	360	04.03-	■	■
3236 K (OM 541.998)		Diesel		11946	265	360	04.03-	■	■
3336K (OM 541.942)		Diesel		11946	265	360	04.03-	■	■
3336K (OM 541.972)		Diesel		11946	265	360	04.03-	■	■
3336K (OM 541.998)		Diesel		11946	265	360	04.03-	■	■
4036 K		Diesel		11946	265	360	06.09-	■	
1840 AK (OM 541.924)		Diesel		11946	290	394	04.03-	■	
1840 AK (OM 541.945)		Diesel		11946	290	394	04.03-	■	
1840 K (OM 541.923)		Diesel		11946	290	394	04.03-	■	■
1840 K (OM 541.944)		Diesel		11946	290	394	04.03-	■	■
2041 AK (OM 541.924)		Diesel		11946	290	394	04.03-	■	■
2041 AK (OM 541.944)		Diesel		11946	290	394	04.03-	■	■
2041 AK (OM 541.945)		Diesel		11946	290	394	04.03-	■	■
2041 AK (OM 541.991)		Diesel		11946	290	394	04.03-	■	■
2041 K (OM 541.923)		Diesel		11946	290	394	04.03-	■	■
2041 K (OM 541.944)		Diesel		11946	290	394	04.03-	■	■
2041 K (OM 541.974)		Diesel		11946	290	394	04.03-	■	■
2041 K (OM 541.990)		Diesel		11946	290	394	04.03-	■	■
2640 K, LK (OM 541.923)		Diesel		11946	290	394	04.03-	■	■
2640 K, LK (OM 541.944)		Diesel		11946	290	394	04.03-	■	■
3240 K (OM 541.923)		Diesel		11946	290	394	04.03-	■	■
3240 K (OM 541.944)		Diesel		11946	290	394	04.03-	■	■

# LISTA DE APLICACIONES - BUYERS GUIDE

3339 AK (OM 541.924)		Diesel		11946	290	394	04.03-	■	■
3339 AK (OM 541.945)		Diesel		11946	290	394	04.03-	■	■
3339 K (OM 541.923)		Diesel		11946	290	394	04.03-	■	■
3339 K (OM 541.944)		Diesel		11946	290	394	04.03-	■	■
4140 AK (OM 541.923)		Diesel		11946	290	394	04.03-	■	
4140 AK (OM 541.924)		Diesel		11946	290	394	04.03-	■	
4140 AK (OM 541.944)		Diesel		11946	290	394	04.03-	■	
4140 AK (OM 541.945)		Diesel		11946	290	394	04.03-	■	
4140 K (OM 541.923)		Diesel		11946	290	394	04.03-	■	■
4140 K (OM 541.944)		Diesel		11946	290	394	04.03-	■	■
4140 K (OM 541.923)		Diesel		11946	290	394	04.03-	■	
4140 K (OM 541.924)		Diesel		11946	290	394	04.03-	■	
4140 K (OM 541.944)		Diesel		11946	290	394	04.03-	■	
4140 K (OM 541.945)		Diesel		11946	290	394	04.03-	■	
1841 AK (OM 541.991)		Diesel		11946	300	408	04.03-	■	
1841 K (OM 541.944)		Diesel		11946	300	408	04.03-	■	■
1841 K (OM 541.974)		Diesel		11946	300	408	04.03-	■	■
1841 K (OM 541.990)		Diesel		11946	300	408	04.03-	■	■
1841 L, LL (OM 541.944)		Diesel		11946	300	408	04.03-	■	■
1841 L, LL (OM 541.974)		Diesel		11946	300	408	04.03-	■	■
2641 K, LK (OM 541.944)		Diesel		11946	300	408	04.03-	■	■
2641 K, LK (OM 541.974)		Diesel		11946	300	408	04.03-	■	■
2641 K, LK (OM 541.990)		Diesel		11946	300	408	04.03-	■	■
3241 K (OM 541.974)		Diesel		11946	300	408	04.03-	■	■
3241 K (OM 541.990)		Diesel		11946	300	408	04.03-	■	■
3341 AK (OM 541.945)		Diesel		11946	300	408	04.03-	■	
3341 AK (OM 541.975)		Diesel		11946	300	408	04.03-	■	
3341 AK (OM 541.991)		Diesel		11946	300	408	04.03-	■	
3341 AKE (OM 541.945)		Diesel		11946	300	408	04.03-	■	■
3341 AKE (OM 541.991)		Diesel		11946	300	408	04.03-	■	■
3341 K (OM 541.974)		Diesel		11946	300	408	04.03-	■	■
3341 K (OM 541.990)		Diesel		11946	300	408	04.03-	■	■
4141 AK (OM 541.991)		Diesel		11946	300	408	04.03-	■	
4141 K (OM 541.974)		Diesel		11946	300	408	04.03-	■	■
4141 K (OM 541.990)		Diesel		11946	300	408	04.03-	■	■
4141 K (OM 541.991)		Diesel		11946	300	408	04.03-	■	
4841 K		Diesel		11946	300	408	08.09-	■	
5041 K (OM 541.923)		Diesel		11946	300	408	06.08-	■	■
5041 K (OM 541.944)		Diesel		11946	300	408	06.08-	■	■
5041 K (OM 541.974)		Diesel		11946	300	408	06.08-	■	■
5041 K (OM 541.990)		Diesel		11946	300	408	06.08-	■	■
1844 AK (OM 541.921)		Diesel		11946	315	428	04.03-	■	■
1844 AK (OM 541.946)		Diesel		11946	315	428	04.03-	■	■
1844 AK (OM 541.947)		Diesel		11946	315	428	04.03-	■	■
1844 AK (OM 541.993)		Diesel		11946	315	428	04.03-	■	■
1844 K (OM 541.925)		Diesel		11946	315	428	04.03-	■	■
1844 K (OM 541.946)		Diesel		11946	315	428	04.03-	■	■
1844 K (OM 541.976)		Diesel		11946	315	428	04.03-	■	■
1844 K (OM 541.992)		Diesel		11946	315	428	04.03-	■	■
2044 AK (OM 541.921)		Diesel		11946	315	428	04.03-	■	
2044 AK (OM 541.947)		Diesel		11946	315	428	04.03-	■	

# LISTA DE APLICACIONES - BUYERS GUIDE

2044 AK (OM 541.993)	Diesel	11946	315	428	04.03-	■	
2044 K (OM 541.925)	Diesel	11946	315	428	04.03-	■	■
2044 K (OM 541.946)	Diesel	11946	315	428	04.03-	■	■
2044 K (OM 541.976)	Diesel	11946	315	428	04.03-	■	■
2044 K (OM 541.992)	Diesel	11946	315	428	04.03-	■	■
2643 K, LK (OM 541.925)	Diesel	11946	315	428	04.03-	■	■
2643 K, LK (OM 541.946)	Diesel	11946	315	428	04.03-	■	■
3243 K (OM 541.925)	Diesel	11946	315	428	04.03-	■	■
3243 K (OM 541.946)	Diesel	11946	315	428	04.03-	■	■
3343 AK (OM 541.921)	Diesel	11946	315	428	04.03-	■	
3343 AK (OM 541.947)	Diesel	11946	315	428	04.03-	■	
3343 K (OM 541.925)	Diesel	11946	315	428	04.03-	■	■
3343 K (OM 541.946)	Diesel	11946	315	428	04.03-	■	■
4143 AK (OM 541.921)	Diesel	11946	315	428	04.03-	■	
4143 K (OM 541.921)	Diesel	11946	315	428	04.03-	■	
4143 K (OM 541.947)	Diesel	11946	315	428	04.03-	■	
4144 K (OM 541.925)	Diesel	11946	315	428	04.03-	■	■
4144 K (OM 541.946)	Diesel	11946	315	428	04.03-	■	■
4144 K (OM 541.976)	Diesel	11946	315	428	04.03-	■	■
2644 K, LK (OM 541.946)	Diesel	11946	320	435	04.03-	■	■
2644 K, LK (OM 541.976)	Diesel	11946	320	435	04.03-	■	■
2644 K, LK (OM 541.992)	Diesel	11946	320	435	04.03-	■	■
3244 K (OM 541.976)	Diesel	11946	320	435	04.03-	■	■
3244 K (OM 541.992)	Diesel	11946	320	435	04.03-	■	■
3344 AK (OM 541.947)	Diesel	11946	320	435	04.03-	■	
3344 AK (OM 541.977)	Diesel	11946	320	435	04.03-	■	
3344 AK (OM 541.993)	Diesel	11946	320	435	04.03-	■	
3344 AKE (OM 541.947)	Diesel	11946	320	435	04.03-	■	■
3344 AKE (OM 541.993)	Diesel	11946	320	435	04.03-	■	■
3344 K (OM 541.976)	Diesel	11946	320	435	04.03-	■	■
3344 K (OM 541.992)	Diesel	11946	320	435	04.03-	■	■
4144 AK (OM 541.947)	Diesel	11946	320	435	04.03-	■	
4144 AK (OM 541.993)	Diesel	11946	320	435	04.03-	■	
4144 K (OM 541.976)	Diesel	11946	320	435	04.03-	■	■
4144 K (OM 541.992)	Diesel	11946	320	435	04.03-	■	■
4144 K (OM 541.976)	Diesel	11946	320	435	04.03-	■	
4144 K (OM 541.993)	Diesel	11946	320	435	04.03-	■	
4844 K	Diesel	11946	320	435	08.09-	■	
5044 K (OM 541.946)	Diesel	11946	320	435	06.08-	■	■
5044 K (OM 541.976)	Diesel	11946	320	435	06.08-	■	■
5044 K (OM 541.992)	Diesel	11946	320	435	06.08-	■	■
1846 AK (OM 541.948)	Diesel	11946	335	456	04.03-	■	■
1846 AK (OM 541.949)	Diesel	11946	335	456	04.03-	■	■
1846 AK (OM 541.981)	Diesel	11946	335	456	04.03-	■	■
1846 AK (OM 541.995)	Diesel	11946	335	456	04.03-	■	■
1846 K (OM 541.948)	Diesel	11946	335	456	04.03-	■	■
1846 K (OM 541.980)	Diesel	11946	335	456	04.03-	■	■
1846 K (OM 541.994)	Diesel	11946	335	456	04.03-	■	■
2046 AK (OM 541.948)	Diesel	11946	335	456	04.03-	■	
2046 AK (OM 541.949)	Diesel	11946	335	456	04.03-	■	
2046 AK (OM 541.995)	Diesel	11946	335	456	04.03-	■	

# LISTA DE APLICACIONES - BUYERS GUIDE

2046 K (OM 541.948)	Diesel	11946	335	456	04.03-	■	■
2046 K (OM 541.980)	Diesel	11946	335	456	04.03-	■	■
2046 K (OM 541.994)	Diesel	11946	335	456	04.03-	■	■
2646 K, LK (OM 541.948)	Diesel	11946	335	456	04.03-	■	■
2646 K, LK (OM 541.980)	Diesel	11946	335	456	04.03-	■	■
2646 K, LK (OM 541.994)	Diesel	11946	335	456	04.03-	■	■
3246 K (OM 541.948)	Diesel	11946	335	456	04.03-	■	■
3246 K (OM 541.980)	Diesel	11946	335	456	04.03-	■	■
3246 K (OM 541.994)	Diesel	11946	335	456	04.03-	■	■
3346 AK (OM 541.949)	Diesel	11946	335	456	04.03-	■	
3346 AK (OM 541.995)	Diesel	11946	335	456	04.03-	■	
3346 AKE (OM 541.949)	Diesel	11946	335	456	04.03-	■	■
3346 AKE (OM 541.995)	Diesel	11946	335	456	04.03-	■	■
3346 K (OM 541.948)	Diesel	11946	335	456	04.03-	■	■
3346 K (OM 541.980)	Diesel	11946	335	456	04.03-	■	■
3346 K (OM 541.994)	Diesel	11946	335	456	04.03-	■	■
4146 AK (OM 541.949)	Diesel	11946	335	456	04.03-	■	
4146 K (OM 541.948)	Diesel	11946	335	456	04.03-	■	■
4146 K (OM 541.980)	Diesel	11946	335	456	04.03-	■	■
4146 K (OM 541.994)	Diesel	11946	335	456	04.03-	■	■
4146 K (OM 541.949)	Diesel	11946	335	456	04.03-	■	
5046 K (OM 541.948)	Diesel	11946	335	456	06.08-	■	■
5046 K (OM 541.980)	Diesel	11946	335	456	06.08-	■	■
5046 K (OM 541.994)	Diesel	11946	335	456	06.08-	■	■
1848 AK (OM 541.948)	Diesel	11946	350	476	04.03-	■	
1848 K (OM 541.948)	Diesel	11946	350	476	04.03-	■	■
1848 K (OM 541.978)	Diesel	11946	350	476	04.03-	■	■
2048 AK (OM 541.948)	Diesel	11946	350	476	04.03-	■	
2048 K (OM 541.978)	Diesel	11946	350	476	04.03-	■	■
2648 K, LK (OM 541.948)	Diesel	11946	350	476	04.03-	■	■
2648 K, LK (OM 541.978)	Diesel	11946	350	476	04.03-	■	■
3248 K (OM 541.978)	Diesel	11946	350	476	04.03-	■	■
3348 AK (OM 541.948)	Diesel	11946	350	476	04.03-	■	
3348 AKE (OM 541.949)	Diesel	11946	350	476	04.03-	■	■
3348 K (OM 541.978)	Diesel	11946	350	476	04.03-	■	■
4148 AK (OM 541.948)	Diesel	11946	350	476	04.03-	■	■
4148 K (OM 541.948)	Diesel	11946	350	476	04.03-	■	■
4148 K (OM 541.978)	Diesel	11946	350	476	04.03-	■	■
4148 K (OM 541.949)	Diesel	11946	350	476	04.03-	■	■
4148 K (OM 541.948)	Diesel	11946	350	476	04.03-	■	■
1848 AK (OM 542.925)	Diesel	15928	350	476	04.03-	■	
1848 K (OM 542.921)	Diesel	15928	350	476	04.03-	■	■
1848 K (OM 542.940)	Diesel	15928	350	476	04.03-	■	■
2648 K, LK (OM 542.921)	Diesel	15928	350	476	04.03-	■	■
2648 K, LK (OM 542.940)	Diesel	15928	350	476	04.03-	■	■
3348 AK (OM 542.925)	Diesel	15928	350	476	04.03-	■	
3348 K (OM 542.921)	Diesel	15928	350	476	04.03-	■	■
4148 AK (OM 542.925)	Diesel	15928	350	476	04.03-	■	
4148 K (OM 542.925)	Diesel	15928	350	476	04.03-	■	
4148 K (OM 542.921)	Diesel	15928	350	476	04.03-	■	■
1850, 1851 K (OM 542.940)	Diesel	15928	370	503	04.03-	■	■

# LISTA DE APLICACIONES - BUYERS GUIDE

1850, 1851 K (OM 542.960)	Diesel	15928	370	503	04.03-	■	■
1850 AK, 1851 AK (OM 542.940)	Diesel	15928	370	503	04.03-	■	■
1850 AK, 1851 AK (OM 542.941)	Diesel	15928	370	503	04.03-	■	■
1850 AK, 1851 AK (OM 542.960)	Diesel	15928	370	503	04.03-	■	■
1850 AK, 1851 AK (OM 542.961)	Diesel	15928	370	503	04.03-	■	■
2650 K, 2651 K, LK (OM 542.940)	Diesel	15928	370	503	04.03-	■	■
2650 K, 2651 K, LK (OM 542.960)	Diesel	15928	370	503	04.03-	■	■
3351 AK (OM 542.941)	Diesel	15928	370	503	04.03-	■	■
3351 AK (OM 542.961)	Diesel	15928	370	503	04.03-	■	■
3351 K (OM 542.940)	Diesel	15928	370	503	04.03-	■	■
3351 K (OM 542.960)	Diesel	15928	370	503	04.03-	■	■
4150 AK (OM 542.941)	Diesel	15928	370	503	04.03-	■	■
4150 K (OM 542.940)	Diesel	15928	370	503	04.03-	■	■
4150 K (OM 542.941)	Diesel	15928	370	503	04.03-	■	■
4151 AK (OM 542.961)	Diesel	15928	375	510	04.03-	■	■
4151 K (OM 542.960)	Diesel	15928	375	510	05.05-	■	■
4151 K (OM 542.961)	Diesel	15928	375	510	04.03-	■	■
2653 K, LK (OM 542.920)	Diesel	15928	390	530	04.03-	■	■
2653 K, LK (OM 542.942)	Diesel	15928	390	530	04.03-	■	■
2654 K, LK, 2655 K, LK (OM 542.942)	Diesel	15928	395	537	04.03-	■	■
2654 K, LK, 2655 K, LK (OM 542.962)	Diesel	15928	395	537	04.03-	■	■
3355 AK (OM 542.963)	Diesel	15928	405	551	04.03-	■	■
4155 AK (OM 542.963)	Diesel	15928	405	551	04.03-	■	■
4155 K (OM 542.962)	Diesel	15928	405	551	04.03-	■	■
2658 K, LK (OM 542.944)	Diesel	15928	425	578	04.03-	■	■
2660 LK (OM 542.964)	Diesel	15928	440	598	04.03-	■	■
3360 AK (OM 542.965)	Diesel	15928	440	598	04.03-	■	■
4160 AK (OM 542.965)	Diesel	15928	440	598	04.03-	■	■
4160 K (OM 542.964)	Diesel	15928	440	598	04.03-	■	■
4165 AK (OM 542.968)	Diesel	15928	480	653	04.03-	■	■
4165 AK (OM 542.969)	Diesel	15928	480	653	04.03-	■	■
<b>ACTROS MP2 / MP3 10.02-</b>						<b>Platform/Chassis</b>	
2032 (OM 541.920)	Diesel	11946	230	313	04.03-	■	■
2032 (OM 541.940)	Diesel	11946	230	313	04.03-	■	■
2032 A, AE (OM 541.926)	Diesel	11946	230	313	04.03-	■	■
2032 A, AE (OM 541.940)	Diesel	11946	230	313	04.03-	■	■
2032 A, AE (OM 541.941)	Diesel	11946	230	313	04.03-	■	■
2532, L, LL (OM 541.920)	Diesel	11946	230	312	04.03-	■	■
2532, L, LL (OM 541.940)	Diesel	11946	230	312	04.03-	■	■
2532, L, LL (OM 541.970)	Diesel	11946	230	312	04.03-	■	■
2532, L, LL (OM 541.996)	Diesel	11946	230	312	04.03-	■	■
2532, L, LL	Diesel	11946	230	312	04.03-	■	■
2631 L (OM 541.920)	Diesel	11946	230	313	04.03-	■	■
2631 L (OM 541.940)	Diesel	11946	230	313	04.03-	■	■
3331, 3332 (OM 541.920)	Diesel	11946	230	313	04.03-	■	■
3331, 3332 (OM 541.940)	Diesel	11946	230	313	04.03-	■	■
3331 A, 3332 A (OM 541.920)	Diesel	11946	230	313	04.03-	■	■
3331 A, 3332 A (OM 541.926)	Diesel	11946	230	313	04.03-	■	■
3331 A, 3332 A (OM 541.940)	Diesel	11946	230	313	04.03-	■	■
3331 A, 3332 A (OM 541.941)	Diesel	11946	230	313	04.03-	■	■
3331 A, 3332 A (OM 541.971)	Diesel	11946	230	313	04.03-	■	■

# LISTA DE APLICACIONES - BUYERS GUIDE

3331 A, 3332 A (OM 541.997)	Diesel	11946	230	313	04.03-	■	
1832, L, LL (OM 541.940)	Diesel	11946	235	320	04.03-	■	■
1832, L, LL (OM 541.970)	Diesel	11946	235	320	04.03-	■	■
2632, L, LL (OM 541.940)	Diesel	11946	235	320	04.03-	■	■
2632, L, LL (OM 541.970)	Diesel	11946	235	320	04.03-	■	■
2632, L, LL (OM 541.996)	Diesel	11946	235	320	04.03-	■	■
2036 (OM 541.922)	Diesel	11946	260	354	04.03-	■	■
2036 (OM 541.942)	Diesel	11946	260	354	04.03-	■	■
2036 A, AE (OM 541.927)	Diesel	11946	260	354	04.03-	■	■
2036 A, AE (OM 541.942)	Diesel	11946	260	354	04.03-	■	■
2036 A, AE (OM 541.943)	Diesel	11946	260	354	04.03-	■	■
2536, L, LL (OM 541.922)	Diesel	11946	260	354	04.03-	■	■
2536, L, LL (OM 541.942)	Diesel	11946	260	354	04.03-	■	■
2536, L, LL (OM 541.943)	Diesel	11946	260	354	04.03-	■	■
2536, L, LL (OM 541.972)	Diesel	11946	260	354	04.03-	■	■
2536, L, LL (OM 541.998)	Diesel	11946	260	354	04.03-	■	■
2536, L, LL	Diesel	11946	260	354	04.03-	■	
2635 L (OM 541.922)	Diesel	11946	260	354	04.03-	■	■
2635 L (OM 541.942)	Diesel	11946	260	354	04.03-	■	■
3335 A (OM 541.927)	Diesel	11946	260	354	04.03-	■	
3335 A (OM 541.943)	Diesel	11946	260	354	04.03-	■	
1836, L, LL (OM 541.942)	Diesel	11946	265	360	04.03-	■	■
1836 A (OM 541.943)	Diesel	11946	265	360	10.02-	■	■
2636, L, LL (OM 541.942)	Diesel	11946	265	360	04.03-	■	■
2636, L, LL (OM 541.972)	Diesel	11946	265	360	04.03-	■	■
2636, L, LL (OM 541.998)	Diesel	11946	265	360	04.03-	■	■
3336 (OM 541.942)	Diesel	11946	265	360	04.03-	■	■
3336 (OM 541.972)	Diesel	11946	265	360	04.03-	■	■
3336 A (OM 541.942)	Diesel	11946	265	360	04.03-	■	
3336 A (OM 541.943)	Diesel	11946	265	360	04.03-	■	
3336 A (OM 541.973)	Diesel	11946	265	360	04.03-	■	
3336 A (OM 541.999)	Diesel	11946	265	360	04.03-	■	
2040 (OM 541.923)	Diesel	11946	290	394	10.02-	■	■
2040 (OM 541.944)	Diesel	11946	290	394	10.02-	■	■
2041 (OM 541.944)	Diesel	11946	290	394	04.03-	■	■
2041 (OM 541.974)	Diesel	11946	290	394	04.03-	■	■
2541, L, LL (OM 541.923)	Diesel	11946	290	394	04.03-	■	■
2541, L, LL (OM 541.944)	Diesel	11946	290	394	04.03-	■	■
2541, L, LL (OM 541.974)	Diesel	11946	290	394	04.03-	■	■
2541, L, LL (OM 541.990)	Diesel	11946	290	394	04.03-	■	■
2541, L, LL	Diesel	11946	290	394	04.03-	■	
2640 L (OM 541.923)	Diesel	11946	290	394	04.03-	■	■
2640 L (OM 541.944)	Diesel	11946	290	394	04.03-	■	■
3240 (OM 541.923)	Diesel	11946	290	394	04.03-	■	■
3339 A (OM 541.924)	Diesel	11946	290	394	04.03-	■	■
3339 A (OM 541.945)	Diesel	11946	290	394	04.03-	■	■
1841, L, LL (OM 541.944)	Diesel	11946	300	408	04.03-	■	■
1841, L, LL (OM 541.974)	Diesel	11946	300	408	04.03-	■	■
1841 A (OM 541.944)	Diesel	11946	300	408	10.02-	■	■
1841 A (OM 541.974)	Diesel	11946	300	408	10.02-	■	■
2641, L, LL (OM 541.944)	Diesel	11946	300	408	04.03-	■	■

# LISTA DE APLICACIONES - BUYERS GUIDE

2641, L, LL (OM 541.974)	Diesel	11946	300	408	04.03-	■	■
2641, L, LL (OM 541.990)	Diesel	11946	300	408	04.03-	■	■
3241 (OM 541.944)	Diesel	11946	300	408	04.03-	■	■
3241 (OM 541.974)	Diesel	11946	300	408	04.03-	■	■
3241 (OM 541.990)	Diesel	11946	300	408	04.03-	■	■
3241 L (OM 541.944)	Diesel	11946	300	408	06.08-	■	■
3241 L (OM 541.944)	Diesel	11946	300	408	06.08-	■	■
3341 (OM 541.944)	Diesel	11946	300	408	04.03-	■	■
3341 (OM 541.974)	Diesel	11946	300	408	04.03-	■	■
3341 A (OM 541.991)	Diesel	11946	300	408	04.03-	■	■
4141 (OM 541.944)	Diesel	11946	300	408	06.08-	■	■
1844 A (OM 541.946)	Diesel	11946	315	428	04.03-	■	■
1844 A (OM 541.976)	Diesel	11946	315	428	04.03-	■	■
2044 (OM 541.946)	Diesel	11946	315	428	04.03-	■	■
2044 (OM 541.976)	Diesel	11946	315	428	04.03-	■	■
2544, L, LL (OM 541.925)	Diesel	11946	315	428	04.03-	■	■
2544, L, LL (OM 541.946)	Diesel	11946	315	428	04.03-	■	■
2544, L, LL (OM 541.976)	Diesel	11946	315	428	04.03-	■	■
2544, L, LL (OM 541.992)	Diesel	11946	315	428	04.03-	■	■
2544, L, LL	Diesel	11946	315	428	04.03-	■	■
2643 L (OM 541.925)	Diesel	11946	315	428	04.03-	■	■
2643 L (OM 541.946)	Diesel	11946	315	428	04.03-	■	■
3243 (OM 541.925)	Diesel	11946	315	428	10.02-	■	■
3243 (OM 541.946)	Diesel	11946	315	428	10.02-	■	■
3344 (OM 541.946)	Diesel	11946	315	428	04.03-	■	■
3344 (OM 541.947)	Diesel	11946	315	428	04.03-	■	■
3344 A (OM 541.921)	Diesel	11946	315	428	04.03-	■	■
3344 A (OM 541.946)	Diesel	11946	315	428	04.03-	■	■
3344 A (OM 541.947)	Diesel	11946	315	428	04.03-	■	■
3344 A (OM 541.977)	Diesel	11946	315	428	04.03-	■	■
3344 A (OM 541.993)	Diesel	11946	315	428	04.03-	■	■
1844, L, LL (OM 541.946)	Diesel	11946	320	435	04.03-	■	■
1844, L, LL (OM 541.976)	Diesel	11946	320	435	04.03-	■	■
2644, L, LL (OM 541.946)	Diesel	11946	320	435	04.03-	■	■
2644, L, LL (OM 541.976)	Diesel	11946	320	435	04.03-	■	■
2644, L, LL (OM 541.992)	Diesel	11946	320	435	04.03-	■	■
3244 (OM 541.976)	Diesel	11946	320	435	04.03-	■	■
3244 (OM 541.992)	Diesel	11946	320	435	04.03-	■	■
1846, L, LL (OM 541.948)	Diesel	11946	335	456	04.03-	■	■
1846, L, LL (OM 541.980)	Diesel	11946	335	456	04.03-	■	■
1846 A (OM 541.948)	Diesel	11946	335	455	04.03-	■	■
2046 (OM 541.948)	Diesel	11946	335	456	04.03-	■	■
2046 (OM 541.980)	Diesel	11946	335	456	04.03-	■	■
2546, L, LL (OM 541.948)	Diesel	11946	335	456	04.03-	■	■
2546, L, LL (OM 541.980)	Diesel	11946	335	456	04.03-	■	■
2546, L, LL (OM 541.994)	Diesel	11946	335	456	04.03-	■	■
2546, L, LL	Diesel	11946	335	456	04.03-	■	■
2646, L, LL (OM 541.948)	Diesel	11946	335	456	04.03-	■	■
2646, L, LL (OM 541.980)	Diesel	11946	335	456	04.03-	■	■
2646, L, LL (OM 541.994)	Diesel	11946	335	456	04.03-	■	■
3246 (OM 541.948)	Diesel	11946	335	456	04.03-	■	■

## LISTA DE APLICACIONES - BUYERS GUIDE

3246 (OM 541.980)		Diesel		11946	335	456	04.03-	■	■
3346 (OM 541.948)		Diesel		11946	335	456	04.03-	■	■
3346 A (OM 541.949)		Diesel		11946	335	456	04.03-	■	■
3346 A (OM 541.995)		Diesel		11946	335	456	04.03-	■	■
1848, L, LL (OM 541.948)		Diesel		11946	350	476	04.03-	■	■
1848, L, LL (OM 541.978)		Diesel		11946	350	476	04.03-	■	■
1848 A (OM 541.978)		Diesel		11946	350	476	04.03-	■	■
2048 (OM 541.978)		Diesel		11946	350	476	06.08-	■	■
2548, L,LL (OM 541.948)		Diesel		11946	350	476	04.03-	■	■
2548, L,LL (OM 541.978)		Diesel		11946	350	476	04.03-	■	■
2548, L,LL		Diesel		11946	350	476	04.03-	■	■
2648, L, LL (OM 541.948)		Diesel		11946	350	476	04.03-	■	■
2648, L, LL (OM 541.978)		Diesel		11946	350	476	04.03-	■	■
3248, L (OM 541.978)		Diesel		11946	350	476	04.03-	■	■
3348 (OM 541.978)		Diesel		11946	350	476	04.03-	■	■
3348 A (OM 541.949)		Diesel		11946	350	476	04.03-	■	■
1848, L, LL (OM 542.921)		Diesel		15928	350	476	04.03-	■	■
2548 L (OM 542.921)		Diesel		15928	350	476	04.03-	■	■
2548 L (OM 542.940)		Diesel		15928	350	476	04.03-	■	■
2648 L (OM 542.921)		Diesel		15928	350	476	04.03-	■	■
2648 L (OM 542.940)		Diesel		15928	350	476	04.03-	■	■
3348 (OM 542.921)		Diesel		15928	350	476	04.03-	■	■
1850, 1851, L, LL (OM 542.940)		Diesel		15928	370	503	04.03-	■	■
1850, 1851, L, LL (OM 542.960)		Diesel		15928	370	503	04.03-	■	■
2650, L, 2651,L, LL (OM 542.940)		Diesel		15928	370	503	04.03-	■	■
3250 (OM 542.940)		Diesel		15928	370	503	04.03-	■	■
3350, 3351 (OM 542.940)		Diesel		15928	370	503	04.03-	■	■
3350, 3351 (OM 542.960)		Diesel		15928	370	503	04.03-	■	■
2551, L, LL (OM 542.960)		Diesel		15928	375	510	04.03-	■	■
2551, L, LL		Diesel		15928	375	510	04.03-	■	■
2651 L (OM 542.960)		Diesel		15928	375	510	04.03-	■	■
3351 A (OM 542.961)		Diesel		15928	375	510	06.08-	■	■
2553 L (OM 542.920)		Diesel		15928	390	530	04.03-	■	■
2553 L (OM 542.942)		Diesel		15928	390	530	04.03-	■	■
2653 L (OM 542.920)		Diesel		15928	390	530	04.03-	■	■
1854, L (OM 542.942)		Diesel		15928	395	537	04.03-	■	■
1854, L (OM 542.962)		Diesel		15928	395	537	04.03-	■	■
2554, L (OM 542.942)		Diesel		15928	395	537	04.03-	■	■
2654, L, 2655, L, LL (OM 542.942)		Diesel		15928	395	537	04.03-	■	■
2654, L, 2655, L, LL (OM 542.962)		Diesel		15928	395	537	04.03-	■	■
3354, 3355 (OM 542.942)		Diesel		15928	395	537	04.03-	■	■
3354, 3355 (OM 542.962)		Diesel		15928	395	537	04.03-	■	■
1855, L, LL (OM 542.962)		Diesel		15928	405	551	06.08-	■	■
2555, L, LL (OM 542.962)		Diesel		15928	405	551	04.03-	■	■
2555, L, LL		Diesel		15928	405	551	04.03-	■	■
3255 L (OM 542.962)		Diesel		15928	405	551	02.09-	■	■
3355 A (OM 542.963)		Diesel		15928	405	551	04.03-	■	■
1858, L (OM 542.944)		Diesel		15928	425	578	04.03-	■	■
2558, L (OM 542.944)		Diesel		15928	425	578	04.03-	■	■
2658 L (OM 542.944)		Diesel		15928	425	578	04.03-	■	■
3358 (OM 542.944)		Diesel		15928	425	578	04.03-	■	■

# LISTA DE APLICACIONES - BUYERS GUIDE

1860 L, LL (OM 542.964)		Diesel		15928	440	598	05.05-	■	■	
2560, L, LL (OM 542.964)		Diesel		15928	440	598	04.03-	■	■	
2560, L, LL		Diesel		15928	440	598	04.03-	■		
2660 L, LL (OM 542.964)		Diesel		15928	440	598	05.05-	■	■	
3260 L (OM 542.964)		Diesel		15928	440	598	02.09-	■	■	
3360 (OM 542.964)		Diesel		15928	440	598	04.03-	■	■	
3360 A (OM 542.965)		Diesel		15928	440	598	04.03-	■		
3365 A (OM 542.968)		Diesel		15928	480	653	04.03-	■		
3365 A (OM 542.969)		Diesel		15928	480	653	04.03-	■		
<b>ACTROS MP2 / MP3 10.02-</b>							<b>Truck Tractor</b>			
2032 AS (OM 541.926)		Diesel		11946	230	313	04.03-	■	■	
2032 AS (OM 541.941)		Diesel		11946	230	313	04.03-	■	■	
2032 S (OM 541.920)		Diesel		11946	230	313	04.03-	■	■	
2032 S (OM 541.940)		Diesel		11946	230	313	04.03-	■	■	
2532 LS (OM 541.920)		Diesel		11946	230	313	04.03-	■	■	
2532 LS (OM 541.940)		Diesel		11946	230	313	04.03-	■	■	
2532 LS (OM 541.970)		Diesel		11946	230	313	04.03-	■	■	
2532 LS		Diesel		11946	230	313	04.03-	■		
2631 LS (OM 541.920)		Diesel		11946	230	313	10.09-	■	■	
2631 LS (OM 541.940)		Diesel		11946	230	313	10.09-	■	■	
2631 LS (OM 541.920)		Diesel		11946	230	313	10.02-	■	■	
3331 S, 3332 S (OM 541.920)		Diesel		11946	230	313	04.03-	■	■	
3331 S, 3332 S (OM 541.940)		Diesel		11946	230	313	04.03-	■	■	
3331 S, 3332 S (OM 541.970)		Diesel		11946	230	313	04.03-	■	■	
1832, LS, LLS (OM 541.940)		Diesel		11946	235	320	04.03-	■	■	
1832, LS, LLS (OM 541.970)		Diesel		11946	235	320	04.03-	■	■	
2432 LS (OM 541.970)		Diesel		11946	235	319	06.08-	■	■	
2432 LS (OM 541.996)		Diesel		11946	235	319	06.08-	■	■	
2432 LS		Diesel		11946	235	320	06.08-	■		
2532 LS		Diesel		11946	235	320	06.08-	■	■	
2632 LS (OM 541.940)		Diesel		11946	235	320	04.03-	■	■	
2632 LS (OM 541.970)		Diesel		11946	235	320	04.03-	■	■	
2632 LS (OM 541.996)		Diesel		11946	235	320	04.03-	■	■	
2632 LS (OM 541.970)		Diesel		11946	235	320	10.09-	■	■	
2632 LS (OM 541.996)		Diesel		11946	235	320	10.09-	■	■	
3332 AS (OM 541.941)		Diesel		11946	235	320	04.03-	■		
2036 AS (OM 541.927)		Diesel		11946	260	354	04.03-	■	■	
2036 AS (OM 541.943)		Diesel		11946	260	354	04.03-	■	■	
2036 S (OM 541.942)		Diesel		11946	260	354	04.03-	■	■	
2036 S (OM 541.972)		Diesel		11946	260	354	04.03-	■	■	
2536 LS (OM 541.922)		Diesel		11946	260	353	04.03-	■	■	
2536 LS (OM 541.942)		Diesel		11946	260	353	04.03-	■	■	
2536 LS (OM 541.943)		Diesel		11946	260	353	04.03-	■	■	
2536 LS (OM 541.972)		Diesel		11946	260	353	04.03-	■	■	
2536 LS		Diesel		11946	260	353	04.03-	■		
2635 LS (OM 541.922)		Diesel		11946	260	354	10.09-	■	■	
2635 LS (OM 541.942)		Diesel		11946	260	354	10.09-	■	■	
2635 LS (OM 541.922)		Diesel		11946	260	354	10.02-	■	■	
2635 LS (OM 541.942)		Diesel		11946	260	354	10.02-	■	■	
1836 LS, LLS (OM 541.942)		Diesel		11946	265	360	04.03-	■	■	
2436 LS (OM 541.972)		Diesel		11946	265	360	06.08-	■	■	

# LISTA DE APLICACIONES - BUYERS GUIDE

2436 LS (OM 541.998)		Diesel		11946	265	360	06.08-	■	■
2436 LS		Diesel		11946	265	360	06.08-	■	
2536 LS		Diesel		11946	265	360	06.08-	■	■
2636 LS (OM 541.942)		Diesel		11946	265	360	04.03-	■	■
2636 LS (OM 541.972)		Diesel		11946	265	360	04.03-	■	■
2636 LS (OM 541.998)		Diesel		11946	265	360	04.03-	■	■
2636 LS (OM 541.972)		Diesel		11946	265	360	10.09-	■	■
2636 LS (OM 541.998)		Diesel		11946	265	360	10.09-	■	■
3336 AS (OM 541.943)		Diesel		11946	265	360	04.03-	■	
3336 AS (OM 541.973)		Diesel		11946	265	360	04.03-	■	
3336S (OM 541.942)		Diesel		11946	265	360	04.03-	■	■
3336S (OM 541.972)		Diesel		11946	265	360	04.03-	■	■
2041 AS (OM 541.924)		Diesel		11946	290	394	04.03-	■	■
2041 S (OM 541.923)		Diesel		11946	290	394	04.03-	■	■
2041 S (OM 541.944)		Diesel		11946	290	394	04.03-	■	■
2041 S (OM 541.974)		Diesel		11946	290	394	04.03-	■	■
2541 LS (OM 541.923)		Diesel		11946	290	394	04.03-	■	■
2541 LS (OM 541.944)		Diesel		11946	290	394	04.03-	■	■
2541 LS		Diesel		11946	290	394	04.03-	■	
2640 LS (OM 541.923)		Diesel		11946	290	394	10.09-	■	■
2640 LS (OM 541.944)		Diesel		11946	290	394	10.09-	■	■
2640 LS (OM 541.944)		Diesel		11946	290	394	10.02-	■	■
1841 LS, LLS (OM 541.944)		Diesel		11946	300	408	04.03-	■	■
1841 LS, LLS (OM 541.974)		Diesel		11946	300	408	04.03-	■	■
2441 LS (OM 541.974)		Diesel		11946	300	408	06.08-	■	■
2441 LS (OM 541.990)		Diesel		11946	300	408	06.08-	■	■
2441 LS		Diesel		11946	300	408	06.08-	■	
2541 LS (OM 541.974)		Diesel		11946	300	408	06.08-	■	■
2641 LS (OM 541.974)		Diesel		11946	300	408	10.09-	■	■
2641 LS (OM 541.990)		Diesel		11946	300	408	10.09-	■	■
2641 S, LS (OM 541.944)		Diesel		11946	300	408	04.03-	■	■
2641 S, LS (OM 541.974)		Diesel		11946	300	408	04.03-	■	■
2641 S, LS (OM 541.990)		Diesel		11946	300	408	04.03-	■	■
3341 AS (OM 541.944)		Diesel		11946	300	408	04.03-	■	
3341 AS (OM 541.945)		Diesel		11946	300	408	04.03-	■	
3341 AS (OM 541.975)		Diesel		11946	300	408	04.03-	■	
3341 S (OM 541.923)		Diesel		11946	300	408	04.03-	■	■
3341 S (OM 541.944)		Diesel		11946	300	408	04.03-	■	■
3341 S (OM 541.974)		Diesel		11946	300	408	04.03-	■	■
2044 AS (OM 541.921)		Diesel		11946	315	428	04.03-	■	■
2044 AS (OM 541.947)		Diesel		11946	315	428	04.03-	■	■
2044 S (OM 541.925)		Diesel		11946	315	428	04.03-	■	■
2044 S (OM 541.946)		Diesel		11946	315	428	04.03-	■	■
2044 S (OM 541.976)		Diesel		11946	315	428	04.03-	■	■
2544 LS (OM 541.925)		Diesel		11946	315	428	04.03-	■	■
2544 LS (OM 541.946)		Diesel		11946	315	428	04.03-	■	■
2544 LS (OM 541.976)		Diesel		11946	315	428	04.03-	■	■
2544 LS		Diesel		11946	315	428	04.03-	■	
2643 LS (OM 541.925)		Diesel		11946	315	428	10.09-	■	■
2643 LS (OM 541.946)		Diesel		11946	315	428	10.09-	■	■
2643 LS (OM 541.976)		Diesel		11946	315	428	10.09-	■	■

# LISTA DE APLICACIONES - BUYERS GUIDE

2643 LS (OM 541.992)		Diesel		11946	315	428	10.09-	■	■
2644 S, LS (OM 541.925)		Diesel		11946	315	428	04.03-	■	■
2644 S, LS (OM 541.946)		Diesel		11946	315	428	04.03-	■	■
2644 S, LS (OM 541.976)		Diesel		11946	315	428	04.03-	■	■
2644 S, LS (OM 541.992)		Diesel		11946	315	428	04.03-	■	■
1844 LS, LLS (OM 541.946)		Diesel		11946	320	435	04.03-	■	■
1844 LS, LLS (OM 541.976)		Diesel		11946	320	435	04.03-	■	■
2444 LS (OM 541.976)		Diesel		11946	320	435	06.08-	■	■
2444 LS (OM 541.992)		Diesel		11946	320	435	06.08-	■	■
2444 LS		Diesel		11946	320	435	06.08-	■	■
2544 LS (OM 541.976)		Diesel		11946	320	435	06.08-	■	■
3344 AS (OM 541.947)		Diesel		11946	320	435	04.03-	■	■
3344 AS (OM 541.977)		Diesel		11946	320	435	04.03-	■	■
3344 S (OM 541.946)		Diesel		11946	320	435	04.03-	■	■
3344 S (OM 541.976)		Diesel		11946	320	435	04.03-	■	■
1846 LS, LLS (OM 541.948)		Diesel		11946	335	456	04.03-	■	■
1846 LS, LLS (OM 541.980)		Diesel		11946	335	456	04.03-	■	■
2046 AS (OM 541.948)		Diesel		11946	335	456	04.03-	■	■
2046 S (OM 541.948)		Diesel		11946	335	456	04.03-	■	■
2046 S (OM 541.980)		Diesel		11946	335	456	04.03-	■	■
2446 LS (OM 541.980)		Diesel		11946	335	455	06.08-	■	■
2446 LS (OM 541.994)		Diesel		11946	335	455	06.08-	■	■
2446 LS		Diesel		11946	335	456	06.08-	■	■
2546 LS (OM 541.948)		Diesel		11946	335	456	04.03-	■	■
2546 LS (OM 541.980)		Diesel		11946	335	456	04.03-	■	■
2546 LS		Diesel		11946	335	456	06.08-	■	■
2546 LS		Diesel		11946	335	456	06.08-	■	■
2546 LS		Diesel		11946	335	456	04.03-	■	■
2646 LS (OM 541.948)		Diesel		11946	335	456	10.09-	■	■
2646 LS (OM 541.994)		Diesel		11946	335	456	10.09-	■	■
2646 S, LS (OM 541.948)		Diesel		11946	335	456	04.03-	■	■
2646 S, LS (OM 541.980)		Diesel		11946	335	456	04.03-	■	■
2646 S, LS (OM 541.994)		Diesel		11946	335	456	04.03-	■	■
3346 AS (OM 541.949)		Diesel		11946	335	456	04.03-	■	■
3346 AS (OM 541.981)		Diesel		11946	335	456	04.03-	■	■
3346 S (OM 541.948)		Diesel		11946	335	456	04.03-	■	■
1848, LS, LLS (OM 541.948)		Diesel		11946	350	476	04.03-	■	■
1848, LS, LLS (OM 541.978)		Diesel		11946	350	476	04.03-	■	■
2048 AS (OM 541.948)		Diesel		11946	350	476	04.03-	■	■
2048 S (OM 541.948)		Diesel		11946	350	476	06.08-	■	■
2048 S (OM 541.978)		Diesel		11946	350	476	06.08-	■	■
2448LS (OM 541.978)		Diesel		11946	350	476	06.08-	■	■
2448LS		Diesel		11946	350	476	06.08-	■	■
2548 LS (OM 541.948)		Diesel		11946	350	476	04.03-	■	■
2548 LS (OM 541.978)		Diesel		11946	350	476	04.03-	■	■
2548 LS		Diesel		11946	350	476	06.08-	■	■
2548 LS		Diesel		11946	350	476	04.03-	■	■
2648 S, LS (OM 541.948)		Diesel		11946	350	476	04.03-	■	■
2648 S, LS (OM 541.978)		Diesel		11946	350	476	04.03-	■	■
3348 AS (OM 541.948)		Diesel		11946	350	476	04.03-	■	■
3348 S (OM 541.948)		Diesel		11946	350	476	04.03-	■	■

# LISTA DE APLICACIONES - BUYERS GUIDE

2648 LS (OM 541.948)	Diesel	11946	355	483	10.09-	■	■
1848 S, LS (OM 542.921)	Diesel	15928	350	476	04.03-	■	■
2048 AS (OM 542.925)	Diesel	15928	350	476	04.03-	■	
2648 LS (OM 542.921)	Diesel	15928	350	476	10.02-	■	■
3348 AS (OM 542.925)	Diesel	15928	350	476	04.03-	■	
3348 S (OM 542.921)	Diesel	15928	350	476	04.03-	■	■
1850, 1851 LS, LLS (OM 542.940)	Diesel	15928	370	503	04.03-	■	■
1850, 1851 LS, LLS (OM 542.960)	Diesel	15928	370	503	04.03-	■	■
2050S (OM 542.940)	Diesel	15928	370	503	04.03-	■	■
2050S (OM 542.941)	Diesel	15928	370	503	04.03-	■	■
2550, LS (OM 542.940)	Diesel	15928	370	503	04.03-	■	■
2550 LS (OM 542.940)	Diesel	15928	370	503	04.03-	■	■
2650 S, LS (OM 542.940)	Diesel	15928	370	503	04.03-	■	■
3350 S (OM 542.940)	Diesel	15928	370	503	06.09-	■	■
3351 AS (OM 542.941)	Diesel	15928	370	503	04.03-	■	
3351 AS (OM 542.961)	Diesel	15928	370	503	04.03-	■	
3550S (OM 542.940)	Diesel	15928	370	503	06.09-	■	■
2051 AS (OM 542.940)	Diesel	15928	375	510	04.03-	■	
2051 AS (OM 542.960)	Diesel	15928	375	510	04.03-	■	
2051 S (OM 542.940)	Diesel	15928	375	510	06.08-	■	■
2051 S (OM 542.960)	Diesel	15928	375	510	06.08-	■	■
2451 LS (OM 542.960)	Diesel	15928	375	510	06.08-	■	■
2451 LS	Diesel	15928	375	510	06.08-	■	
2551 LS (OM 542.960)	Diesel	15928	375	510	04.03-	■	■
2651 LS (OM 542.960)	Diesel	15928	375	510	10.09-	■	■
2651 S, LS (OM 542.960)	Diesel	15928	375	510	04.03-	■	■
3351 S (OM 542.940)	Diesel	15928	375	510	04.03-	■	■
3351 S (OM 542.960)	Diesel	15928	375	510	04.03-	■	■
2653 LS (OM 542.920)	Diesel	15928	390	530	10.09-	■	■
2653 LS (OM 542.942)	Diesel	15928	390	530	10.09-	■	■
2654 S, LS (OM 542.920)	Diesel	15928	390	530	04.03-	■	■
2654 S, LS (OM 542.942)	Diesel	15928	390	530	04.03-	■	■
1854 LS (OM 542.942)	Diesel	15928	395	537	04.03-	■	■
2054 S (OM 542.942)	Diesel	15928	395	537	04.03-	■	■
2554 LS (OM 542.942)	Diesel	15928	395	537	04.03-	■	■
4154 S	Diesel	15928	395	537	04.03-	■	
1855 LS, LLS (OM 542.962)	Diesel	15928	405	551	06.08-	■	■
2055 S (OM 542.962)	Diesel	15928	405	551	06.08-	■	■
2455 LS (OM 542.962)	Diesel	15928	405	550	06.08-	■	■
2455 LS	Diesel	15928	405	551	06.08-	■	
2555 LS (OM 542.962)	Diesel	15928	405	551	09.05-	■	■
2655 LS (OM 542.962)	Diesel	15928	405	551	10.09-	■	■
2655 S, LS (OM 542.962)	Diesel	15928	405	551	04.03-	■	■
3355 AS (OM 542.963)	Diesel	15928	405	551	04.03-	■	
3355 S (OM 542.962)	Diesel	15928	405	551	04.03-	■	■
1858 LS (OM 542.944)	Diesel	15928	425	578	10.02-	■	■
2658 LS (OM 542.944)	Diesel	15928	425	578	04.03-	■	■
1860 LS (OM 542.964)	Diesel	15928	440	598	06.08-	■	■
2460 LS (OM 542.964)	Diesel	15928	440	598	06.08-	■	■
2460 LS	Diesel	15928	440	598	06.08-	■	
2660 S, LS (OM 542.964)	Diesel	15928	440	598	06.08-	■	■

# LISTA DE APLICACIONES - BUYERS GUIDE

4160 S (OM 542.956)		Diesel		15928	448	609	10.02-	■	
4160 S (OM 542.957)		Diesel		15928	448	609	10.02-	■	
1861 LS (OM 542.958)		Diesel		15928	450	612	05.05-	■	■
2665 LS (OM 542.968)		Diesel		15928	480	653	04.03-	■	■
4165 S		Diesel		15928	480	653	08.08-	■	
<b>ATEGO 01.98-10.04</b>								<b>Concrete Mixer</b>	
2628B (OM 906.921)		Diesel		6374	205	279	04.98-10.04	■	■
<b>ATEGO 01.98-10.04</b>								<b>Dump Truck</b>	
1823 AK (OM 906.922)		Diesel		6374	170	231	04.98-10.04	■	■
1823 K (OM 906.920)		Diesel		6374	170	231	04.98-10.04	■	■
1828 AK (OM 906.923)		Diesel		6374	205	279	04.98-10.04	■	■
1828 K (OM 906.921)		Diesel		6374	205	279	04.98-10.04	■	■
2628K (OM 906.921)		Diesel		6374	205	279	04.98-10.04	■	■
<b>ATEGO 01.98-10.04</b>								<b>Platform/Chassis</b>	
1823, 1823 L (OM 906.920)		Diesel		6374	170	231	01.98-10.04	■	■
1823, 1823 L (OM 906.925)		Diesel		6374	170	231	01.98-10.04	■	■
2523 L (OM 906.920)		Diesel		6374	170	231	04.98-10.04	■	■
1828, 1828 L (OM 906.921)		Diesel		6374	205	279	04.98-10.04	■	■
1828, 1828 L (OM 906.926)		Diesel		6374	205	279	04.98-10.04	■	■
1828 A (OM 906.923)		Diesel		6374	205	279	04.98-10.04	■	■
2528 L (OM 906.921)		Diesel		6374	205	279	04.98-10.04	■	■
2528 L (OM 906.926)		Diesel		6374	205	279	04.98-10.04	■	■
2528 L		Diesel		6374	205	279	04.98-10.04	■	
2628 (OM 906.921)		Diesel		6374	205	279	04.98-10.04	■	■
<b>ATEGO 01.98-10.04</b>								<b>Truck Tractor</b>	
1823 LS (OM 906.920)		Diesel		6374	170	231	04.98-10.04	■	■
1828 LS (OM 906.921)		Diesel		6374	205	279	04.98-10.04	■	■
<b>ATEGO 2 01.04-</b>								<b>Platform/Chassis</b>	
2422 (OM 924.924)		Diesel		4801	160	218	10.04-	■	■
2425 (OM 906.919)		Diesel		6374	180	245	10.04-	■	■
2425 (OM 906.983)		Diesel		6374	180	245	10.04-	■	■
2425 (OM 906.985)		Diesel		6374	180	245	10.04-	■	■
2425 (OM 906.988)		Diesel		6374	180	245	10.04-	■	■
2425 (OM 906.990)		Diesel		6374	180	245	10.04-	■	■
2226 L (OM 902.917)		Diesel		6374	188	256	10.04-	■	
2428 (OM 906.921)		Diesel		6374	205	279	10.04-	■	■
2428 (OM 906.986)		Diesel		6374	205	279	10.04-	■	■
2529 L (OM 902.915)		Diesel		6374	210	286	10.04-	■	■
2428 (OM 926.941)		Diesel		7201	205	279	10.04-	■	■
<b>ATEGO 3 04.13-</b>								<b>Dump Truck</b>	
924 K		Diesel		7698	175	238	04.13-	■	
<b>ATEGO 3 04.13-</b>								<b>Municipal Vehicle</b>	
927 F		Diesel		7698	200	272	04.13-	■	
<b>ATEGO 3 04.13-</b>								<b>Platform/Chassis</b>	
924, 924 L		Diesel		7698	175	238	04.13-	■	
<b>AXOR 09.01-12.05</b>								<b>Concrete Mixer</b>	
2628B (OM 906.921)		Diesel		6374	205	279	01.02-10.04	■	

# LISTA DE APLICACIONES - BUYERS GUIDE

<b>AXOR 09.01-12.05</b>						<b>Dump Truck</b>			
1823 K (OM 906.920)		Diesel		6374	170	231	01.02-10.04	■	■
2523 K (OM 906.920)		Diesel		6374	170	231	01.02-10.04	■	■
2628K (OM 906.921)		Diesel		6374	205	279	01.02-10.04	■	
<b>AXOR 09.01-12.05</b>						<b>Platform/Chassis</b>			
1823 (OM 906.920)		Diesel		6374	170	231	01.02-10.04	■	■
2523 (OM 906.920)		Diesel		6374	170	231	01.02-10.04	■	■
2623 L (OM 906.920)		Diesel		6374	170	231	01.02-10.04	■	■
2528 (OM 906.921)		Diesel		6374	205	279	01.02-10.04	■	■
2628 L (OM 906.921)		Diesel		6374	205	279	01.02-10.04	■	■
3228 C (OM 906.921)		Diesel		6374	205	279	01.02-10.04	■	■
<b>AXOR 09.01-12.05</b>						<b>Truck Tractor</b>			
1835 LS (OM 457.937)		Diesel		11967	260	354	01.02-10.04	■	■
2535 LS (OM 457.937)		Diesel		11967	260	354	01.02-10.04	■	■
2535 LS (OM 457.948)		Diesel		11967	260	354	01.02-10.04	■	■
1840LS (OM 457.937)		Diesel		11967	295	401	01.02-10.04	■	■
2540 LS (OM 457.937)		Diesel		11967	295	401	01.02-10.04	■	■
2540 LS (OM 457.948)		Diesel		11967	295	401	01.02-10.04	■	■
1843 LS (OM 457.937)		Diesel		11967	315	428	01.02-10.04	■	■
2543 LS (OM 457.937)		Diesel		11967	315	428	01.02-10.04	■	■
2543 LS (OM 457.948)		Diesel		11967	315	428	01.02-10.04	■	■
<b>AXOR 2 10.04-</b>						<b>Concrete Mixer</b>			
2628 B, 2629 B (OM 902.915)		Diesel		6374	205	279	10.04-	■	■
2628 B, 2629 B (OM 906.921)		Diesel		6374	205	279	10.04-	■	■
2628 B, 2629 B (OM 906.926)		Diesel		6374	205	279	10.04-	■	■
3028B (OM 906.921)		Diesel		6374	205	279	01.11-	■	■
2633 B (OM 926.913)		Diesel		7201	240	326	10.04-	■	■
2633 B (OM 926.919)		Diesel		7201	240	326	10.04-	■	■
2633 B (OM 926.945)		Diesel		7201	240	326	10.04-	■	■
2635 B (OM 457.956)		Diesel		11967	260	354	10.05-	■	■
2635 B (OM 457.957)		Diesel		11967	260	354	10.05-	■	■
2635 B (OM 457.980)		Diesel		11967	260	354	10.05-	■	■
2635 B (OM 457.981)		Diesel		11967	260	354	10.05-	■	■
3335 B (OM 457.956)		Diesel		11967	260	354	10.04-10.05	■	■
3335 B (OM 457.957)		Diesel		11967	260	354	10.04-10.05	■	■
4135 B (OM 457.956)		Diesel		11967	260	354	10.05-	■	■
4135 B (OM 457.957)		Diesel		11967	260	354	10.05-	■	■
2636 B (OM 457.937)		Diesel		11967	265	360	10.04-	■	■
2636 B (OM 457.948)		Diesel		11967	265	360	10.04-	■	■
3236 B (OM 457.956)		Diesel		11967	265	360	10.04-	■	■
3236 B (OM 457.957)		Diesel		11967	265	360	10.04-	■	■
3236 B (OM 457.980)		Diesel		11967	265	360	10.04-	■	■
3236 B (OM 457.981)		Diesel		11967	265	360	10.04-	■	■
2640 B (OM 457.956)		Diesel		11967	295	401	10.04-	■	■
2640 B (OM 457.957)		Diesel		11967	295	401	10.04-	■	■
2640 B (OM 457.980)		Diesel		11967	295	401	10.04-	■	■
2640 B (OM 457.981)		Diesel		11967	295	401	10.04-	■	■
3240 B (OM 457.956)		Diesel		11967	295	401	10.04-	■	■
3240 B (OM 457.957)		Diesel		11967	295	401	10.04-	■	■
3240 B (OM 457.980)		Diesel		11967	295	401	10.04-	■	■

# LISTA DE APLICACIONES - BUYERS GUIDE

3240 B (OM 457.981)		Diesel		11967	295	401	10.04-	■	■
3340 B (OM 457.956)		Diesel		11967	295	401	10.04-10.05	■	■
3340 B (OM 457.957)		Diesel		11967	295	401	10.04-10.05	■	■
4140 B (OM 457.956)		Diesel		11967	295	401	01.11-	■	■
4140 B (OM 457.957)		Diesel		11967	295	401	01.11-	■	■
2643 B (OM 457.956)		Diesel		11967	315	428	10.04-	■	■
2643 B (OM 457.957)		Diesel		11967	315	428	10.04-	■	■
2643 B (OM 457.980)		Diesel		11967	315	428	10.04-	■	■
2643 B (OM 457.981)		Diesel		11967	315	428	10.04-	■	■
3243 B (OM 457.956)		Diesel		11967	315	428	10.04-	■	■
3243 B (OM 457.957)		Diesel		11967	315	428	10.04-	■	■
3243 B (OM 457.980)		Diesel		11967	315	428	10.04-	■	■
3243 B (OM 457.981)		Diesel		11967	315	428	10.04-	■	■
3343 B (OM 457.956)		Diesel		11967	315	428	10.04-	■	■
3343 B (OM 457.957)		Diesel		11967	315	428	10.04-	■	■
4143 B (OM 457.956)		Diesel		11967	315	428	01.11-	■	■
4143 B (OM 457.957)		Diesel		11967	315	428	01.11-	■	■
<b>AXOR 2 10.04-</b>								<b>Dump Truck</b>	
1823 AK, 1824 AK (OM 902.913)		Diesel		6374	170	231	10.04-	■	
1823 AK, 1824 AK (OM 902.930)		Diesel		6374	170	231	10.04-	■	
1823 AK, 1824 AK (OM 906.922)		Diesel		6374	170	231	10.04-	■	
1823 AK, 1824 AK (OM 906.927)		Diesel		6374	170	231	10.04-	■	
1823 K, 1823 KL, 1824 K (OM 902.913)		Diesel		6374	170	231	10.04-	■	■
1823 K, 1823 KL, 1824 K (OM 906.920)		Diesel		6374	170	231	10.04-	■	■
1823 K, 1823 KL, 1824 K (OM 906.925)		Diesel		6374	170	231	10.04-	■	■
1826 AK (OM 902.914)		Diesel		6374	188	256	10.04-	■	
1826 AK (OM 902.931)		Diesel		6374	188	256	10.04-	■	
1826 K (OM 902.914)		Diesel		6374	188	256	10.04-	■	■
1828 AK, 1829 AK (OM 902.932)		Diesel		6374	205	279	10.04-	■	
1828 AK, 1829 AK (OM 906.923)		Diesel		6374	205	279	10.04-	■	
1828 AK, 1829 AK (OM 906.928)		Diesel		6374	205	279	10.04-	■	
1828 K, 1828 KL, 1829 K (OM 902.915)		Diesel		6374	205	279	10.04-	■	■
1828 K, 1828 KL, 1829 K (OM 906.921)		Diesel		6374	205	279	10.04-	■	■
1828 K, 1828 KL, 1829 K (OM 906.926)		Diesel		6374	205	279	10.04-	■	■
2528 K, 2528 KL (OM 906.921)		Diesel		6374	205	279	01.11-	■	■
2628 K, 2629 K (OM 902.915)		Diesel		6374	205	279	10.04-	■	■
2628 K, 2629 K (OM 906.921)		Diesel		6374	205	279	10.04-	■	■
2628 K, 2629 K (OM 906.926)		Diesel		6374	205	279	10.04-	■	■
2828 K (OM 906.930)		Diesel		6374	205	279	10.04-	■	
3028K (OM 906.921)		Diesel		6374	205	279	01.11-	■	■
1833 AK (OM 926.913)		Diesel		7201	240	326	10.04-	■	
1833 AK (OM 926.917)		Diesel		7201	240	326	10.04-	■	
1833 AK (OM 926.937)		Diesel		7201	240	326	10.04-	■	
1833 K (OM 926.913)		Diesel		7201	240	326	10.04-	■	■
2633 K (OM 926.913)		Diesel		7201	240	326	10.04-	■	■
2633 K (OM 926.919)		Diesel		7201	240	326	10.04-	■	■
2633 K (OM 926.945)		Diesel		7201	240	326	10.04-	■	■
3335 K (OM 457.956)		Diesel		11967	260	354	06.09-	■	■
3335 K (OM 457.957)		Diesel		11967	260	354	06.09-	■	■
3535K (OM 457.937)		Diesel		11967	260	354	06.09-	■	
4135 K (OM 457.956)		Diesel		11967	260	354	06.09-	■	■

# LISTA DE APLICACIONES - BUYERS GUIDE

4135 K (OM 457.957)		Diesel		11967	260	354	06.09-	■	■
2636K (OM 457.937)		Diesel		11967	265	360	10.04-	■	■
2636K (OM 457.948)		Diesel		11967	265	360	10.04-	■	■
2636K (OM 457.956)		Diesel		11967	265	360	10.04-	■	■
2636K (OM 457.957)		Diesel		11967	265	360	10.04-	■	■
2636K (OM 457.980)		Diesel		11967	265	360	10.04-	■	■
2636K (OM 457.981)		Diesel		11967	265	360	10.04-	■	■
3236 K (OM 457.956)		Diesel		11967	265	360	10.04-	■	■
3236 K (OM 457.957)		Diesel		11967	265	360	10.04-	■	■
3236 K (OM 457.980)		Diesel		11967	265	360	10.04-	■	■
3236 K (OM 457.981)		Diesel		11967	265	360	10.04-	■	■
2640 K (OM 457.956)		Diesel		11967	295	401	10.04-	■	■
2640 K (OM 457.957)		Diesel		11967	295	401	10.04-	■	■
2640 K (OM 457.980)		Diesel		11967	295	401	10.04-	■	■
2640 K (OM 457.981)		Diesel		11967	295	401	10.04-	■	■
3240 K (OM 457.956)		Diesel		11967	295	401	10.04-	■	■
3240 K (OM 457.957)		Diesel		11967	295	401	10.04-	■	■
3340 K, 3341 K (OM 457.910)		Diesel		11967	295	401	10.04-	■	■
3340 K, 3341 K (OM 457.917)		Diesel		11967	295	401	10.04-	■	■
3340 K, 3341 K (OM 457.918)		Diesel		11967	295	401	10.04-	■	■
3340 K, 3341 K (OM 457.937)		Diesel		11967	295	401	10.04-	■	■
3340 K, 3341 K (OM 457.956)		Diesel		11967	295	401	10.04-	■	■
3340 K, 3341 K (OM 457.957)		Diesel		11967	295	401	10.04-	■	■
4140 K (OM 457.956)		Diesel		11967	295	401	06.09-	■	■
4140 K (OM 457.957)		Diesel		11967	295	401	06.09-	■	■
2643 K (OM 457.956)		Diesel		11967	315	428	10.04-	■	■
2643 K (OM 457.957)		Diesel		11967	315	428	10.04-	■	■
2643 K (OM 457.980)		Diesel		11967	315	428	10.04-	■	■
2643 K (OM 457.981)		Diesel		11967	315	428	10.04-	■	■
3243 K (OM 457.956)		Diesel		11967	315	428	10.04-	■	■
3243 K (OM 457.957)		Diesel		11967	315	428	10.04-	■	■
3243 K (OM 457.980)		Diesel		11967	315	428	10.04-	■	■
3243 K (OM 457.981)		Diesel		11967	315	428	10.04-	■	■
3343 K (OM 457.910)		Diesel		11967	315	428	01.11-	■	■
3343 K (OM 457.917)		Diesel		11967	315	428	01.11-	■	■
3343 K (OM 457.918)		Diesel		11967	315	428	01.11-	■	■
3344 K (OM 457.910)		Diesel		11967	315	428	01.11-	■	■
3344 K (OM 457.917)		Diesel		11967	315	428	01.11-	■	■
3344 K (OM 457.918)		Diesel		11967	315	428	01.11-	■	■
3344 K (OM 457.956)		Diesel		11967	315	428	01.11-	■	■
3344 K (OM 457.957)		Diesel		11967	315	428	01.11-	■	■
4143 K (OM 457.956)		Diesel		11967	315	428	01.11-	■	■
4143 K (OM 457.957)		Diesel		11967	315	428	01.11-	■	■
4143 K (OM 457.956)		Diesel		11967	315	428	06.09-	■	■
4143 K (OM 457.957)		Diesel		11967	315	428	06.09-	■	■
<b>AXOR 2 10.04-</b>					<b>Platform/Chassis</b>				
1823, 1823 L, 1824, 1824 L, LL (OM 902.913)		Diesel		6374	170	231	10.04-	■	■
1823, 1823 L, 1824, 1824 L, LL (OM 906.920)		Diesel		6374	170	231	10.04-	■	■
2523 (OM 906.920)		Diesel		6374	170	231	01.11-	■	■
1826, 1826 L, LL (OM 902.914)		Diesel		6374	188	256	10.04-	■	■
1828, 1828 L, 1829, 1829 L, LL (OM 902.915)		Diesel		6374	205	279	10.04-	■	■

## LISTA DE APLICACIONES - BUYERS GUIDE

1828, 1828 L, 1829, 1829 L, LL (OM 906.921)	Diesel	6374	205	279	10.04-	■	■
1828, 1828 L, 1829, 1829 L, LL (OM 906.926)	Diesel	6374	205	279	10.04-	■	■
1828 A, 1829 A (OM 902.932)	Diesel	6374	205	279	10.04-	■	
1828 A, 1829 A (OM 906.923)	Diesel	6374	205	279	10.04-	■	
1828 A, 1829 A (OM 906.928)	Diesel	6374	205	279	10.04-	■	
2528 L, 2529 L (OM 902.915)	Diesel	6374	205	279	10.04-	■	■
2528 L, 2529 L (OM 906.921)	Diesel	6374	205	279	10.04-	■	■
2528 L, 2529 L (OM 906.926)	Diesel	6374	205	279	10.04-	■	■
2528 L, 2529 L	Diesel	6374	205	279	10.04-	■	
2628, 2629 (OM 902.915)	Diesel	6374	205	279	10.04-	■	■
2628, 2629 (OM 906.921)	Diesel	6374	205	279	10.04-	■	■
2628, 2629 (OM 906.926)	Diesel	6374	205	279	10.04-	■	■
2628, 2629 (OM 906.995)	Diesel	6374	205	279	10.04-	■	■
3228 (OM 906.921)	Diesel	6374	205	279	01.11-	■	■
2831 (OM 926.926)	Diesel	7201	225	305	01.11-	■	
2831 (OM 926.930)	Diesel	7201	225	305	01.11-	■	
2831 (OM 926.932)	Diesel	7201	225	305	01.11-	■	
3131	Diesel	7201	228	310	01.11-	■	
1833, 1833 L, LL (OM 926.913)	Diesel	7201	240	326	10.04-	■	■
1833 A (OM 926.913)	Diesel	7201	240	326	10.04-	■	
1933 (OM 926.921)	Diesel	7201	240	326	10.04-	■	■
1933 (OM 926.990)	Diesel	7201	240	326	10.04-	■	■
2533, 2533 L (OM 926.913)	Diesel	7201	240	326	10.04-	■	■
2533, 2533 L (OM 926.919)	Diesel	7201	240	326	10.04-	■	■
2533, 2533 L (OM 926.921)	Diesel	7201	240	326	10.04-	■	■
2533, 2533 L (OM 926.945)	Diesel	7201	240	326	10.04-	■	■
2533, 2533 L (OM 926.990)	Diesel	7201	240	326	10.04-	■	■
2533, 2533 L	Diesel	7201	240	326	10.04-	■	
2633 (OM 926.913)	Diesel	7201	240	326	10.04-	■	■
2633 (OM 926.919)	Diesel	7201	240	326	10.04-	■	■
2633 (OM 926.945)	Diesel	7201	240	326	10.04-	■	■
2535 L, 2536 L, 2536 LL (OM 457.937)	Diesel	11967	260	354	10.04-	■	■
2535 L, 2536 L, 2536 LL (OM 457.948)	Diesel	11967	260	354	10.04-	■	■
2535 L, 2536 L, 2536 LL (OM 457.980)	Diesel	11967	260	354	10.04-	■	■
3235 (OM 457.937)	Diesel	11967	260	354	10.04-	■	■
3235 (OM 457.948)	Diesel	11967	260	354	10.04-	■	■
3335 (OM 457.937)	Diesel	11967	260	354	10.04-	■	■
2636 (OM 457.937)	Diesel	11967	265	360	10.04-	■	■
2540 L, LL (OM 457.937)	Diesel	11967	295	401	10.04-	■	■
2540 L, LL (OM 457.948)	Diesel	11967	295	401	10.04-	■	■
2540 L, LL (OM 457.980)	Diesel	11967	295	401	10.04-	■	■
2640 (OM 457.937)	Diesel	11967	295	401	10.04-	■	■
3240 (OM 457.937)	Diesel	11967	295	401	03.05-	■	■
3240 (OM 457.948)	Diesel	11967	295	401	03.05-	■	■
3340, 3341 (OM 457.910)	Diesel	11967	295	401	10.04-	■	■
3340, 3341 (OM 457.917)	Diesel	11967	295	401	10.04-	■	■
3340, 3341 (OM 457.918)	Diesel	11967	295	401	10.04-	■	■
3340, 3341 (OM 457.937)	Diesel	11967	295	401	10.04-	■	■
4140 (OM 457.910)	Diesel	11967	295	401	01.11-	■	
4140 (OM 457.917)	Diesel	11967	295	401	01.11-	■	
4140 (OM 457.918)	Diesel	11967	295	401	01.11-	■	

# LISTA DE APLICACIONES - BUYERS GUIDE

2543 L, LL (OM 457.937)		Diesel		11967	315	428	10.04-	■	■	
2543 L, LL (OM 457.948)		Diesel		11967	315	428	10.04-	■	■	
2543 L, LL (OM 457.980)		Diesel		11967	315	428	10.04-	■	■	
2643 (OM 457.937)		Diesel		11967	315	428	10.04-	■	■	
3243 (OM 457.937)		Diesel		11967	315	428	10.04-	■	■	
3243 (OM 457.948)		Diesel		11967	315	428	10.04-	■	■	
3343 (OM 457.937)		Diesel		11967	315	428	10.04-	■	■	
4144 (OM 457.910)		Diesel		11967	315	428	01.11-	■	■	
4144 (OM 457.917)		Diesel		11967	315	428	01.11-	■	■	
4144 (OM 457.918)		Diesel		11967	315	428	01.11-	■	■	
3344		Diesel		11967	323	437	10.04-	■	■	
<b>AXOR 2 10.04-</b>							<b>Truck Tractor</b>			
1823 LS, 1824 LS (OM 902.913)		Diesel		6374	170	231	10.04-	■	■	
1823 LS, 1824 LS (OM 906.920)		Diesel		6374	170	231	10.04-	■	■	
1826 LS (OM 902.914)		Diesel		6374	188	256	10.04-	■	■	
1828 LS (OM 906.921)		Diesel		6374	205	279	10.04-	■	■	
1829 LS (OM 902.915)		Diesel		6374	210	286	10.04-	■	■	
1833 LS (OM 926.913)		Diesel		7201	240	326	10.04-	■	■	
1933 S (OM 926.921)		Diesel		7201	240	326	01.11-	■	■	
1933 S (OM 926.990)		Diesel		7201	240	326	01.11-	■	■	
1835 LS (OM 457.937)		Diesel		11967	260	354	01.11-	■	■	
2035 S, 2036 S, LS (OM 457.910)		Diesel		11967	260	354	01.11-	■	■	
2035 S, 2036 S, LS (OM 457.917)		Diesel		11967	260	354	01.11-	■	■	
2035 S, 2036 S, LS (OM 457.918)		Diesel		11967	260	354	01.11-	■	■	
2535 S, 2535 LS (OM 457.918)		Diesel		11967	260	354	10.04-	■	■	
2535 S, 2535 LS (OM 457.981)		Diesel		11967	260	354	10.04-	■	■	
3335 S (OM 457.962)		Diesel		11967	260	354	09.08-	■	■	
1836 LS, LLS (OM 457.937)		Diesel		11967	265	360	10.04-	■	■	
1836 LS, LLS (OM 457.948)		Diesel		11967	265	360	10.04-	■	■	
1836 LS, LLS (OM 457.980)		Diesel		11967	265	360	10.04-	■	■	
2436 LS, 2536 LS (OM 457.948)		Diesel		11967	265	360	10.04-	■	■	
2436 LS, 2536 LS (OM 457.980)		Diesel		11967	265	360	10.04-	■	■	
1840 LS, LLS (OM 457.937)		Diesel		11967	295	401	10.04-	■	■	
1840 LS, LLS (OM 457.948)		Diesel		11967	295	401	10.04-	■	■	
1840 LS, LLS (OM 457.955)		Diesel		11967	295	401	10.04-	■	■	
1840 LS, LLS (OM 457.980)		Diesel		11967	295	401	10.04-	■	■	
2040 S, 2041 S, 2041 S, 2041 LS (OM 457.910)		Diesel		11967	295	401	01.11-	■	■	
2040 S, 2041 S, 2041 S, 2041 LS (OM 457.917)		Diesel		11967	295	401	01.11-	■	■	
2040 S, 2041 S, 2041 S, 2041 LS (OM 457.918)		Diesel		11967	295	401	01.11-	■	■	
2440 LS, 2540 LS (OM 457.948)		Diesel		11967	295	401	10.04-	■	■	
2440 LS, 2540 LS (OM 457.981)		Diesel		11967	295	401	10.04-	■	■	
2540 S, 2541 S, LS (OM 457.918)		Diesel		11967	295	401	10.04-	■	■	
2540 S, 2541 S, LS (OM 457.980)		Diesel		11967	295	401	10.04-	■	■	
2640 S, 2641 S, LS (OM 457.918)		Diesel		11967	295	401	10.04-	■	■	
3340 S, 3341 S (OM 457.910)		Diesel		11967	295	400	06.09-	■	■	
3340 S, 3341 S (OM 457.917)		Diesel		11967	295	400	06.09-	■	■	
3340 S, 3341 S (OM 457.918)		Diesel		11967	295	400	06.09-	■	■	
3340 S, 3341 S (OM 457.962)		Diesel		11967	295	400	06.09-	■	■	
1843 LS, LLS (OM 457.937)		Diesel		11967	315	428	10.04-	■	■	
1843 LS, LLS (OM 457.948)		Diesel		11967	315	428	10.04-	■	■	

# LISTA DE APLICACIONES - BUYERS GUIDE

1843 LS, LLS (OM 457.980)		Diesel		11967	315	428	10.04-	■	■	
2044 S (OM 457.910)		Diesel		11967	315	428	01.11-	■	■	
2044 S (OM 457.917)		Diesel		11967	315	428	01.11-	■	■	
2044 S (OM 457.918)		Diesel		11967	315	428	01.11-	■	■	
2443 LS, 2543 LS (OM 457.948)		Diesel		11967	315	428	10.04-	■	■	
2443 LS, 2543 LS (OM 457.980)		Diesel		11967	315	428	10.04-	■	■	
2543 S, 2543 LS (OM 457.980)		Diesel		11967	315	428	10.04-	■	■	
2644 S, LS (OM 457.918)		Diesel		11967	315	428	10.04-	■	■	
2644 S, LS (OM 457.937)		Diesel		11967	315	428	10.04-	■	■	
2644 S, LS (OM 457.948)		Diesel		11967	315	428	10.04-	■	■	
3343 S (OM 457.910)		Diesel		11967	315	428	01.11-	■	■	
3343 S (OM 457.917)		Diesel		11967	315	428	01.11-	■	■	
3343 S (OM 457.918)		Diesel		11967	315	428	01.11-	■	■	
2544 S, 2544 LS		Diesel		11967	323	439	10.04-	■	■	
2644 S, LS		Diesel		11967	323	439	10.04-	■	■	
<b>DCA</b>							<b>Air Suspension Unit</b>			
DCA							01.53-	■		
<b>DLS</b>							<b>Air Suspension Unit</b>			
DLS 10Loch							01.53-	■		
DLS 8 Loch							01.53-	■		
<b>ECONIC 01.98-</b>							<b>Municipal Vehicle</b>			
1823 L, 1823 LL (OM 906.924)		Diesel		6374	170	231	03.98-	■	■	
1823 L, 1823 LL (OM 906.940)		Diesel		6374	170	231	03.98-	■	■	
1823 L, 1823 LL (OM 906.951)		Diesel		6374	170	231	03.98-	■	■	
1824 L, 1824 LL (OM 902.933)		Diesel		6374	175	238	10.06-	■	■	
2624 L (OM 902.933)		Diesel		6374	175	238	03.98-	■	■	
1828 L, 1828 LL (OM 906.941)		Diesel		6374	205	279	03.98-	■	■	
1828 L, 1828 LL (OM 906.952)		Diesel		6374	205	279	03.98-	■	■	
2628 LL (OM 906.941)		Diesel		6374	205	279	03.98-	■	■	
2628 LL (OM 906.952)		Diesel		6374	205	279	03.98-	■	■	
2628 LL (OM 906.941)		Diesel		6374	205	279	01.98-	■	■	
2628 LL (OM 906.952)		Diesel		6374	205	279	01.98-	■	■	
1829 L, 1829 LL (OM 902.927)		Diesel		6374	210	286	10.06-	■	■	
2629 L, 2629 LL (OM 902.927)		Diesel		6374	210	286	10.01-	■	■	
2629 L, 2629 LL (OM 902.927)		Diesel		6374	210	286	10.01-	■	■	
2633 LL		Diesel		6374	240	326	10.07-	■	■	
1833 L, 1833 LL (OM 926.924)		Diesel		7201	240	326	10.06-	■	■	
1833 L, 1833 LL (OM 926.934)		Diesel		7201	240	326	10.06-	■	■	
2633 L (OM 926.921)		Diesel		7201	240	326	10.01-	■	■	
2633 L (OM 926.934)		Diesel		7201	240	326	10.01-	■	■	
2633 L, 2633 LL (OM 926.924)		Diesel		7201	240	326	10.07-	■	■	
2633 L, 2633 LL (OM 926.934)		Diesel		7201	240	326	10.07-	■	■	
3233 L, 3233 LL (OM 926.934)		Diesel		7201	240	326	10.07-	■	■	
<b>ECONIC 01.98-</b>							<b>Municipal Vehicle</b>			
1828 L (M 906.900)		Gasolina		6883	205	279	10.00-	■	■	
1828 L, 1828 LL (M 902.900)		Gasolina		6883	205	279	10.06-	■	■	
1828 L, 1828 LL (M 902.903)		Gasolina		6883	205	279	10.06-	■	■	
1828 LLS		Gasolina		6883	205	279	10.00-	■	■	
2628 L (M 902.900)		Gasolina		6883	205	279	10.00-	■	■	
2628 L (M 902.903)		Gasolina		6883	205	279	10.00-	■	■	

# LISTA DE APLICACIONES - BUYERS GUIDE

2628 L (M 906.900)	Gasolina	6883	205	279	10.01-	■	■
<b>ECONIC 01.98-</b>			<b>Platform/Chassis</b>				
2628 L (M 906.900)	Gasolina	6883	205	279	10.00-	■	■
<b>ECONIC 01.98-</b>			<b>Truck Tractor</b>				
1829 LS (OM 902.927)	Diesel	6374	210	286	10.07-	■	■
1833 LS (OM 926.934)	Diesel	7201	240	326	10.07-	■	■
<b>ECONIC 01.98-</b>			<b>Truck Tractor</b>				
1828 LS (M 902.903)	Gasolina	6883	205	279	10.04-	■	■
<b>INTOURO 01.05-</b>			<b>Bus</b>				
Intouro, Intouro E, Intouro M, Intouro ME (OM 926.939)	Diesel	7201	210	286	01.05-	■	■
Intouro, Intouro E, Intouro M, Intouro ME (OM 457.965)	Diesel	11967	220	299	01.05-	■	■
Intouro, Intouro E, Intouro M, Intouro ME (OM 457.965)	Diesel	11967	260	354	01.05-	■	■
Intouro, Intouro E, Intouro M, Intouro ME (OM 457.965)	Diesel	11967	300	408	01.05-	■	■
<b>MK 12.87-12.05</b>			<b>Platform/Chassis</b>				
1827,1827 L (OM 401.973)	Diesel	9570	200	272	12.87-09.96	■	
1827,1827 L (OM 401.977)	Diesel	9570	200	272	12.87-09.96	■	
1827,1827 L (OM 401.991)	Diesel	9570	200	272	12.87-09.96	■	
2527 L (OM 401.973)	Diesel	9570	200	272	09.92-09.96	■	■
2527 L (OM 401.977)	Diesel	9570	200	272	09.92-09.96	■	■
2527 L (OM 401.979)	Diesel	9570	200	272	09.92-09.96	■	■
1827,1827 L (OM 445.926)	Diesel	10964	200	272	12.87-09.96	■	
1827,1827 L (OM 445.936)	Diesel	10964	200	272	12.87-09.96	■	
2527 (OM 445.926)	Diesel	10964	200	272	01.94-09.96	■	■
2527 L (OM 445.926)	Diesel	10964	200	272	01.94-09.96	■	■
2527 L (OM 445.929)	Diesel	10964	200	272	01.94-09.96	■	■
2527 L (OM 445.936)	Diesel	10964	200	272	01.94-09.96	■	■
2527 L (OM 445.940)	Diesel	10964	200	272	01.94-09.96	■	■
2433,2433 L, 2434 L (OM 441.960)	Diesel	10964	243	330	12.87-09.96	■	■
2433,2433 L, 2434 L (OM 441.962)	Diesel	10964	243	330	12.87-09.96	■	■
2433,2433 L, 2434 L (OM 441.981)	Diesel	10964	243	330	12.87-09.96	■	■
2433,2433 L, 2434 L (OM 441.983)	Diesel	10964	243	330	12.87-09.96	■	■
2433,2433 L, 2434 L (OM 441.986)	Diesel	10964	243	330	12.87-09.96	■	■
2433,2433 L, 2434 L (OM 441.989)	Diesel	10964	243	330	12.87-09.96	■	■
2433,2433 L, 2434 L (OM 445.920)	Diesel	10964	243	330	12.87-09.96	■	■
2433,2433 L, 2434 L (OM 445.939)	Diesel	10964	243	330	12.87-09.96	■	■
2534,2534 L (OM 441.986)	Diesel	10964	250	340	12.87-09.96	■	■
2534,2534 L (OM 441.987)	Diesel	10964	250	340	12.87-09.96	■	■
2534,2534 L (OM 441.989)	Diesel	10964	250	340	12.87-09.96	■	■
2534,2534 L (OM 441.991)	Diesel	10964	250	340	12.87-09.96	■	■
2534,2534 L (OM 445.920)	Diesel	10964	250	340	12.87-09.96	■	■
2534,2534 L (OM 445.921)	Diesel	10964	250	340	12.87-09.96	■	■
2534,2534 L (OM 445.922)	Diesel	10964	250	340	12.87-09.96	■	■
<b>O 340 01.91-12.95</b>			<b>Bus</b>				
O 340 (OM 402.984)	Diesel	12763	280	381	01.91-12.95	■	
<b>O 345 CONECTO (O 345) 11.01-</b>			<b>Bus</b>				
CONECTO C, H, UE (OM 906.960)	Diesel	6374	205	279	11.01-	■	■
CONECTO C, H, M, UE (OM 447.949)	Diesel	11967	157	214	11.01-	■	■

## LISTA DE APLICACIONES - BUYERS GUIDE

CONECTO C, H, M, UE (OM 457.942)		Diesel		11967	185	252	11.01-	■	■
CONECTO C, H, M, UE (OM 457.942)		Diesel		11967	185	252	11.01-	■	■
CONECTO C, H, M, UE (OM 457.942)		Diesel		11967	220	299	11.01-	■	■
CONECTO C, H, M, UE (OM 457.942)		Diesel		11967	220	299	11.01-	■	■
CONECTO C, H, M, UE (OM 457.942)		Diesel		11967	260	354	11.01-	■	■
CONECTO C, H, M, UE (OM 457.942)		Diesel		11967	260	354	11.01-	■	■
<b>O 350 TOURISMO (O 350) 09.94-</b>								<b>Bus</b>	
Tourismo RHD, SHD (OM 441.980)		Diesel		10964	250	340	08.95-	■	■
Tourismo RHD, SHD (OM 445.934)		Diesel		10964	250	340	08.95-	■	■
Tourismo 15 RHD (OM 457.941)		Diesel		11967	185	252	01.03-	■	■
Tourismo 15 RHD (OM 457.941)		Diesel		11967	220	299	01.03-	■	■
Tourismo 15 RHD (OM 457.952)		Diesel		11967	220	299	01.03-	■	■
Tourismo 15 RHD (OM 457.965)		Diesel		11967	220	299	01.03-	■	■
Tourismo 16 RHD (OM 457.952)		Diesel		11967	220	299	01.03-	■	■
Tourismo 16 RHD (OM 457.965)		Diesel		11967	220	299	01.03-	■	■
Tourismo 15 RHD (OM 457.941)		Diesel		11967	260	354	01.03-	■	■
Tourismo 15 RHD (OM 457.953)		Diesel		11967	260	354	01.03-	■	■
Tourismo 15 RHD (OM 457.961)		Diesel		11967	260	354	01.03-	■	■
Tourismo 15 RHD (OM 457.965)		Diesel		11967	260	354	01.03-	■	■
Tourismo 15 SHD (OM 457.944)		Diesel		11967	260	354	01.03-	■	■
Tourismo 15 SHD (OM 457.953)		Diesel		11967	260	354	01.03-	■	■
Tourismo 16 RHD (OM 457.944)		Diesel		11967	260	354	01.03-	■	■
Tourismo 16 RHD (OM 457.952)		Diesel		11967	260	354	01.03-	■	■
Tourismo 16 RHD (OM 457.961)		Diesel		11967	260	354	01.03-	■	■
Tourismo 16 RHD (OM 457.965)		Diesel		11967	260	354	01.03-	■	■
Tourismo 16 RHD (OM 457.944)		Diesel		11967	260	354	01.03-	■	■
Tourismo 16 RHD (OM 457.953)		Diesel		11967	260	354	01.03-	■	■
Tourismo 16 RHD (OM 457.961)		Diesel		11967	260	354	01.03-	■	■
Tourismo 17 RHD (OM 457.944)		Diesel		11967	260	354	01.03-	■	■
Tourismo 17 RHD (OM 457.953)		Diesel		11967	260	354	01.03-	■	■
Tourismo 17 RHD (OM 457.961)		Diesel		11967	260	354	01.03-	■	■
Tourismo RHD, SHD (OM 457.944)		Diesel		11967	260	354	09.03-	■	■
Tourismo 15 RHD (OM 457.952)		Diesel		11967	300	408	01.03-	■	■
Tourismo 15 RHD (OM 457.965)		Diesel		11967	300	408	01.03-	■	■
Tourismo 15 SHD (OM 457.944)		Diesel		11967	310	422	01.03-	■	■
Tourismo 16 RHD (OM 457.944)		Diesel		11967	310	422	01.03-	■	■
Tourismo 16 RHD (OM 457.953)		Diesel		11967	310	422	01.03-	■	■
Tourismo 17 RHD (OM 457.944)		Diesel		11967	310	422	01.03-	■	■
Tourismo RHD, SHD (OM 457.944)		Diesel		11967	310	422	09.03-	■	■
Tourismo 16 RHD (OM 457.953)		Diesel		11967	315	428	01.03-	■	■
Tourismo 16 RHD (OM 457.961)		Diesel		11967	315	428	01.03-	■	■
Tourismo 17 RHD (OM 457.953)		Diesel		11967	315	428	01.03-	■	■
Tourismo 17 RHD (OM 457.961)		Diesel		11967	315	428	01.03-	■	■
Tourismo 15 RHD (OM 457.961)		Diesel		11967	335	456	01.03-	■	■
Tourismo 16 RHD (OM 457.961)		Diesel		11967	335	456	01.03-	■	■
Tourismo 17 RHD (OM 457.961)		Diesel		11967	335	456	01.03-	■	■
Tourismo 17 RHD (OM 542.948)		Diesel		15928	320	435	01.03-	■	■
Tourismo 16 RHD (OM 542.966)		Diesel		15928	350	476	01.03-	■	■
Tourismo 17 RHD (OM 542.948)		Diesel		15928	350	476	01.03-	■	■
Tourismo 17 RHD (OM 542.966)		Diesel		15928	350	476	01.03-	■	■
Tourismo 16 RHD (OM 542.966)		Diesel		15928	370	503	01.03-	■	■

# LISTA DE APLICACIONES - BUYERS GUIDE

Tourismo 17 RHD (OM 542.948)		Diesel		15928	370	503	01.03-	■	■
Tourismo 17 RHD (OM 542.966)		Diesel		15928	370	503	01.03-	■	■
<b>O 403 01.95-12.06</b>								<b>Bus</b>	
O 403 SHD (OM 441.980)		Diesel		10964	250	340	01.03-	■	
O 403 SHD (OM 445.934)		Diesel		10964	250	340	01.03-	■	
O 403 SHD (OM 457.944)		Diesel		11967	260	354	09.03-	■	■
O 403 SHD (OM 457.944)		Diesel		11967	310	422	09.03-	■	■
O 403 RHD (OM 402.970)		Diesel		12763	280	381	09.03-	■	
O 403 RHD		Diesel		14618	280	381	01.03-	■	
<b>O 404 01.91-12.99</b>								<b>Bus</b>	
O 404 (OM 442.996)		Diesel		14618	370	503	01.91-12.99	■	
<b>O 500 TOURO (O 500) 01.96-</b>								<b>Bus</b>	
O 500 M (OM 906.918)		Diesel		6374	180	245	01.01-	■	■
O 500 M (OM 906.975)		Diesel		6374	180	245	01.01-	■	■
O 500 M (OM 906.983)		Diesel		6374	180	245	01.01-	■	■
O 500 M (OM 906.988)		Diesel		6374	180	245	01.01-	■	■
O 500 U (OM 906.918)		Diesel		6374	180	245	01.01-	■	
O 500 U (OM 906.988)		Diesel		6374	180	245	01.01-	■	
O 500 M (OM 906.933)		Diesel		6374	209	284	01.01-	■	
O 500 M (OM 926.996)		Diesel		7201	188	256	01.96-	■	
O 500 U (OM 926.996)		Diesel		7201	188	256	01.01-	■	
O 500 R (OM 926.926)		Diesel		7201	225	306	01.01-	■	■
O 500 U (OM 926.926)		Diesel		7201	225	306	01.01-	■	■
O 500 R (OM 926.910)		Diesel		7201	240	326	01.01-	■	■
Touro (OM 457.944)		Diesel		11967	260	354	10.01-	■	
O 500 GL, GLE (OM 457.915)		Diesel		11967	265	360	01.01-	■	■
O 500 RSD (OM 457.916)		Diesel		11967	265	360	01.01-	■	■
O 500 RSD (OM 457.932)		Diesel		11967	265	360	01.01-	■	■
O 500 RSD (OM 457.927)		Diesel		11967	295	401	01.01-	■	■
Touro (OM 457.944)		Diesel		11967	310	422	10.01-	■	
<b>O 520 CITO (O 520) 09.98-</b>								<b>Bus</b>	
130 kW (OM 904.942)		Diesel		4249	130	177	06.99-	■	■
<b>O 530 CITARO (O 530) 01.98-</b>								<b>Bus</b>	
Citaro N (OM 906.931)		Diesel		6374	170	231	01.98-	■	■
Citaro N (OM 909.900)		Diesel		6374	170	231	01.98-	■	■
Citaro N (OM 909.911)		Diesel		6374	170	231	01.98-	■	■
Citaro N (OM 906.962)		Diesel		6374	180	245	04.99-	■	■
Citaro N (OM 906.963)		Diesel		6374	180	245	04.99-	■	■
Citaro G		Diesel		6374	185	252	01.98-	■	■
Citaro G (OM 906.930)		Diesel		6374	205	279	01.99-	■	■
Citaro G (OM 906.960)		Diesel		6374	205	279	01.99-	■	■
Citaro G (OM 906.961)		Diesel		6374	205	279	01.99-	■	■
Citaro G (OM 909.901)		Diesel		6374	205	279	01.99-	■	■
Citaro G (OM 909.921)		Diesel		6374	205	279	01.99-	■	■
Citaro N (OM 906.930)		Diesel		6374	205	279	01.98-	■	■
Citaro N (OM 906.960)		Diesel		6374	205	279	01.98-	■	■
Citaro N (OM 906.961)		Diesel		6374	205	279	01.98-	■	■
Citaro N (OM 909.901)		Diesel		6374	205	279	01.98-	■	■
Citaro N (OM 909.921)		Diesel		6374	205	279	01.98-	■	■
Citaro N (OM 906.930)		Diesel		6374	205	279	01.99-	■	■

## LISTA DE APLICACIONES - BUYERS GUIDE

Citaro N (OM 906.960)		Diesel		6374	205	279	01.99-	■	■
Citaro N (OM 909.901)		Diesel		6374	205	279	01.99-	■	■
Citaro N (OM 909.921)		Diesel		6374	205	279	01.99-	■	■
Citaro, Citaro MUE (OM 902.926)		Diesel		6374	210	286	01.98-	■	■
Citaro, Citaro MUE (OM 902.934)		Diesel		6374	210	286	01.98-	■	■
Citaro C		Diesel		7201	210	286	05.99-	■	
Citaro Ü		Diesel		7700	220	299	05.12-	■	
Citaro Ü		Diesel		10677	265	360	05.12-	■	
Citaro N (OM 457.942)		Diesel		11967	185	252	01.98-	■	■
Citaro G, Citaro GN3, Citaro LÜ (OM 457.943)		Diesel		11967	220	299	01.98-	■	
Citaro G, Citaro GN3, Citaro LÜ (OM 457.950)		Diesel		11967	220	299	01.98-	■	
Citaro G, Citaro GN3, Citaro LÜ (OM 457.959)		Diesel		11967	220	299	01.98-	■	
Citaro G, Citaro GN3, Citaro LÜ (OM 457.973)		Diesel		11967	220	299	01.98-	■	
Citaro N, Citaro MUE (OM 457.934)		Diesel		11967	220	299	01.98-	■	■
Citaro N, Citaro MUE (OM 457.942)		Diesel		11967	220	299	01.98-	■	■
Citaro N, Citaro MUE (OM 457.949)		Diesel		11967	220	299	01.98-	■	■
Citaro N, Citaro MUE (OM 457.950)		Diesel		11967	220	299	01.98-	■	■
Citaro N, Citaro MUE (OM 457.959)		Diesel		11967	220	299	01.98-	■	■
Citaro N, Citaro MUE (OM 457.973)		Diesel		11967	220	299	01.98-	■	■
Citaro G, Citaro LÜ (OM 457.950)		Diesel		11967	260	354	01.98-	■	
Citaro G, Citaro LÜ (OM 457.959)		Diesel		11967	260	354	01.98-	■	
Citaro G, Citaro LÜ (OM 457.973)		Diesel		11967	260	354	01.98-	■	
Citaro N, Citaro MUE (OM 457.942)		Diesel		11967	260	354	01.98-	■	■
Citaro N, Citaro MUE (OM 457.950)		Diesel		11967	260	354	01.98-	■	■
Citaro N, Citaro MUE (OM 457.951)		Diesel		11967	260	354	01.98-	■	■
Citaro N, Citaro MUE (OM 457.957)		Diesel		11967	260	354	01.98-	■	■
Citaro N, Citaro MUE (OM 457.959)		Diesel		11967	260	354	01.98-	■	■
Citaro N, Citaro MUE (OM 457.973)		Diesel		11967	260	354	01.98-	■	■
<b>O 530 CITARO (O 530) 01.98-</b>								<b>Bus</b>	
Citaro NG (M 476.932)		Gasolina		11967	185	252	06.00-	■	■
Citaro NG (M 476.933)		Gasolina		11967	185	252	06.00-	■	■
Citaro NG (M 476.934)		Gasolina		11967	185	252	06.00-	■	■
Citaro GNG (M 476.930)		Gasolina		11967	240	326	04.00-	■	■
Citaro NG (M 476.930)		Gasolina		11967	240	326	04.00-	■	■
Citaro NG (M 476.933)		Gasolina		11967	240	326	04.00-	■	■
Citaro NG (M 476.934)		Gasolina		11967	240	326	04.00-	■	■
<b>O 530 CITARO (O 530) 01.98-</b>								<b>Bus</b>	
Citaro BZ		Mixto		0	225	306	01.02-	■	■
<b>O 550 INTEGRO (O 550) 09.96-</b>								<b>Bus</b>	
Integro, Integro M (OM 926.939)		Diesel		7201	210	286	01.06-	■	
Integro L (OM 926.939)		Diesel		7201	210	286	01.06-	■	■
Integro, Integro M (OM 457.952)		Diesel		11967	220	299	01.06-	■	■
Integro, Integro M (OM 457.964)		Diesel		11967	220	299	01.06-	■	■
Integro L (OM 457.952)		Diesel		11967	220	300	01.06-	■	■
Integro L (OM 457.965)		Diesel		11967	220	300	01.06-	■	■
Integro, Integro M (OM 457.952)		Diesel		11967	260	354	01.06-	■	■
Integro, Integro M (OM 457.965)		Diesel		11967	260	354	01.06-	■	■
Integro L (OM 457.952)		Diesel		11967	260	354	01.06-	■	■
Integro L (OM 457.952)		Diesel		11967	300	408	01.06-	■	■

# LISTA DE APLICACIONES - BUYERS GUIDE

							Bus
<b>O 580 TRAVEGO (O 580) 10.99-</b>							
O 580-15 RH (OM 457.941)	Diesel		11967	185	252	10.99-	■
O 580-15 RH/RHD (OM 457.940)	Diesel		11967	260	354	10.99-	■ ■
O 580-15 RH/RHD (OM 457.944)	Diesel		11967	260	354	10.99-	■ ■
O 580-15 RH/RHD (OM 457.953)	Diesel		11967	260	354	10.99-	■ ■
O 580-15 RH/RHD (OM 457.961)	Diesel		11967	260	354	10.99-	■ ■
O 580-15 SHD (OM 457.944)	Diesel		11967	260	354	10.99-	■
O 580-15 SHD (OM 457.953)	Diesel		11967	260	354	10.99-	■
O 580-15 SHD (OM 457.961)	Diesel		11967	260	354	10.99-	■
O 580-16 RHD (OM 457.944)	Diesel		11967	260	354	01.03-	■ ■
O 580-16 RHD (OM 457.953)	Diesel		11967	260	354	01.03-	■ ■
O 580-16 RHD (OM 457.961)	Diesel		11967	260	354	01.03-	■ ■
O 580-15 RH/RHD (OM 457.936)	Diesel		11967	300	408	10.99-	■ ■
O 580-15 RH/RHD (OM 457.938)	Diesel		11967	300	408	10.99-	■ ■
O 580-15 RHD (OM 457.944)	Diesel		11967	310	422	10.99-	■ ■
O 580-15 RHD (OM 457.953)	Diesel		11967	310	422	10.99-	■ ■
O 580-16 RHD, O 580-17 RHD (OM 457.944)	Diesel		11967	310	422	10.99-	■ ■
O 580-15 RHD (OM 457.961)	Diesel		11967	335	456	10.99-	■
O 580-16 RHD (OM 457.961)	Diesel		11967	335	456	10.99-	■
O 580-15 RH (OM 542.948)	Diesel		15928	320	435	10.99-	■
O 580-16 RHD (OM 542.948)	Diesel		15928	320	435	10.99-	■ ■
O 580-17 RHD (OM 542.948)	Diesel		15928	320	435	10.99-	■ ■
O 580-15 RH (OM 942.900)	Diesel		15928	350	476	10.99-	■
O 580-15 RH (OM 942.911)	Diesel		15928	350	476	10.99-	■
O 580-16 RHD (OM 542.966)	Diesel		15928	350	476	10.99-	■
O 580-17 RHD (OM 542.948)	Diesel		15928	350	476	10.99-	■ ■
O 580-17 RHD (OM 542.966)	Diesel		15928	350	476	10.99-	■ ■
O 580-16 RHD (OM 542.966)	Diesel		15928	370	503	01.03-	■
<b>OF 01.83-</b>							
1113 (OM 384.906)	Diesel		3972	100	137	01.83-	■ ■
1113 (OM 344.949)	Diesel		5675	96	131	01.83-	■ ■
1113 (OM 352.997)	Diesel		5675	96	131	01.83-	■ ■
1113 (OM 352.998)	Diesel		5675	96	131	01.83-	■ ■
1313, 1314 (OM 352.997)	Diesel		5675	96	131	01.83-	■ ■
1413 (OM 352.997)	Diesel		5675	96	131	01.83-	■ ■
1117 (OM 386.952)	Diesel		5958	125	170	01.83-	■ ■
1317 (OM 327.919)	Diesel		7980	125	170	01.83-	■ ■
1417 (OM 327.940)	Diesel		7980	125	170	01.83-	■ ■
1317 (OM 360.937)	Diesel		8720	125	170	01.83-	■ ■
1317 (OM 360.951)	Diesel		8720	125	170	01.83-	■ ■
1417 (OM 360.938)	Diesel		8720	125	170	01.83-	■ ■
1417 (OM 360.952)	Diesel		8720	125	170	01.83-	■ ■
1617 (OM 360.938)	Diesel		8720	125	170	01.83-	■ ■
1617 (OM 360.962)	Diesel		8720	125	170	01.83-	■ ■
1617 (OM 360.983)	Diesel		8720	125	170	01.83-	■ ■
1621 (OM 360.982)	Diesel		8720	154	210	01.83-	■ ■
<b>OH 01.70-</b>							
1518 (OM 904.973)	Diesel		4249	130	177	01.70-	■ ■
1518, 1519 (OM 924.988)	Diesel		4801	142	193	05.99-	■ ■
1521 (OM 924.913)	Diesel		4801	160	218	05.07-	■ ■

# LISTA DE APLICACIONES - BUYERS GUIDE

1113 (OM 344.948)		Diesel		5675	115	156	01.70-	■	■
1316 (OM 344.948)		Diesel		5675	115	156	01.70-	■	■
1521 (OM 386.981)		Diesel		5958	150	204	01.70-	■	■
1525 (OM 906.918)		Diesel		6374	180	245	01.70-	■	■
1526 (OM 926.996)		Diesel		7201	188	256	05.07-	■	■
1622, 1622 L (OM 421.910)		Diesel		10964	159	216	01.70-	■	■
1625, 1625 L (OM 422.915)		Diesel		14618	184	250	01.70-	■	■
1628, 1628 L (OM 422.918)		Diesel		14618	206	280	01.70-	■	■
1627 L (OM 440.907)		Diesel		15078	195	265	01.70-	■	■
<b>SK-Class 07.87-09.96</b>								<b>Dump Truck</b>	
2638K (OM 402.971)		Diesel		12763	280	381	09.91-09.96	■	■
2638K (OM 402.972)		Diesel		12763	280	381	09.91-09.96	■	■
2638K (OM 402.975)		Diesel		12763	280	381	09.91-09.96	■	■
2638K (OM 402.985)		Diesel		12763	280	381	09.91-09.96	■	■
2638K (OM 402.986)		Diesel		12763	280	381	09.91-09.96	■	■
3538AK (OM 402.973)		Diesel		12763	280	381	03.91-09.96	■	■
3538AK (OM 402.978)		Diesel		12763	280	381	03.91-09.96	■	■
3538AK (OM 402.982)		Diesel		12763	280	381	03.91-09.96	■	■
3538AK (OM 402.983)		Diesel		12763	280	381	03.91-09.96	■	■
3538AK (OM 402.987)		Diesel		12763	280	381	03.91-09.96	■	■
3538K (OM 402.973)		Diesel		12763	280	381	03.91-09.96	■	■
3538K (OM 402.978)		Diesel		12763	280	381	03.91-09.96	■	■
3538K (OM 402.982)		Diesel		12763	280	381	03.91-09.96	■	■
3538K (OM 402.983)		Diesel		12763	280	381	03.91-09.96	■	■
3538K (OM 402.987)		Diesel		12763	280	381	03.91-09.96	■	■
2638K (OM 440.990)		Diesel		14618	280	381	09.91-09.96	■	■
2638K (OM 446.924)		Diesel		14618	280	381	09.91-09.96	■	■
2638K (OM 446.925)		Diesel		14618	280	381	09.91-09.96	■	■
2638K (OM 446.926)		Diesel		14618	280	381	09.91-09.96	■	■
3538AK (OM 446.926)		Diesel		14618	280	381	01.94-09.96	■	■
3538AK (OM 446.930)		Diesel		14618	280	381	01.94-09.96	■	■
3538AK (OM 446.931)		Diesel		14618	280	381	01.94-09.96	■	■
3538K (OM 446.926)		Diesel		14618	280	381	01.94-09.96	■	■
3538K (OM 446.930)		Diesel		14618	280	381	01.94-09.96	■	■
<b>SK-Class 07.87-09.96</b>								<b>Platform/Chassis</b>	
2638, 2638 L (OM 402.971)		Diesel		12763	280	381	09.91-09.96	■	■
2638, 2638 L (OM 402.972)		Diesel		12763	280	381	09.91-09.96	■	■
2638, 2638 L (OM 402.975)		Diesel		12763	280	381	09.91-09.96	■	■
2638, 2638 L (OM 402.985)		Diesel		12763	280	381	09.91-09.96	■	■
2638, 2638 L (OM 402.986)		Diesel		12763	280	381	09.91-09.96	■	■
2435,2435 L (OM 442.943)		Diesel		14618	260	354	07.87-09.96	■	■
2435,2435 L (OM 442.944)		Diesel		14618	260	354	07.87-09.96	■	■
2435,2435 L (OM 442.963)		Diesel		14618	260	354	07.87-09.96	■	■
2435,2435 L (OM 442.964)		Diesel		14618	260	354	07.87-09.96	■	■
2435,2435 L (OM 442.965)		Diesel		14618	260	354	07.87-09.96	■	■
2435,2435 L (OM 442.968)		Diesel		14618	260	354	07.87-09.96	■	■
2435,2435 L (OM 442.976)		Diesel		14618	260	354	07.87-09.96	■	■
2638, 2638 L (OM 440.990)		Diesel		14618	280	381	09.91-09.96	■	■
2638, 2638 L (OM 446.924)		Diesel		14618	280	381	09.91-09.96	■	■
2638, 2638 L (OM 446.925)		Diesel		14618	280	381	09.91-09.96	■	■
2638, 2638 L (OM 446.926)		Diesel		14618	280	381	09.91-09.96	■	■

# LISTA DE APLICACIONES - BUYERS GUIDE

2644, 2644 L (OM 440.970)		Diesel		14618	320	435	01.92-09.96	■	■	
2644, 2644 L (OM 440.978)		Diesel		14618	320	435	01.92-09.96	■	■	
2644, 2644 L (OM 446.922)		Diesel		14618	320	435	01.92-09.96	■	■	
2650, 2650 L (OM 440.973)		Diesel		14618	362	492	07.92-09.96	■	■	
2650, 2650 L (OM 440.981)		Diesel		14618	362	492	07.92-09.96	■	■	
2650, 2650 L (OM 442.989)		Diesel		14618	362	492	07.92-09.96	■	■	
2650, 2650 L (OM 442.997)		Diesel		14618	362	492	07.92-09.96	■	■	
3550 (OM 440.975)		Diesel		14618	362	492	05.92-09.96	■	■	
3550 (OM 440.976)		Diesel		14618	362	492	05.92-09.96	■	■	
3550 (OM 442.993)		Diesel		14618	362	492	05.92-09.96	■	■	
3550 (OM 442.997)		Diesel		14618	362	492	05.92-09.96	■	■	
2653, 2653 L (OM 446.920)		Diesel		14618	390	530	09.95-09.96	■	■	
3553, 3553 L (OM 446.920)		Diesel		14618	390	530	01.94-09.96	■	■	
<b>SK-Class 07.87-09.96</b>							<b>Truck Tractor</b>			
2648S (OM 442.983)		Diesel		14618	329	447	12.88-07.92	■	■	
2648S (OM 442.985)		Diesel		14618	353	480	12.88-07.92	■	■	
2648S (OM 442.989)		Diesel		14618	353	480	12.88-07.92	■	■	
2648S (OM 442.992)		Diesel		14618	353	480	12.88-07.92	■	■	
2648S (OM 442.994)		Diesel		14618	353	480	12.88-07.92	■	■	
2650S (OM 440.971)		Diesel		14618	370	503	07.92-09.96	■	■	
2650S (OM 440.973)		Diesel		14618	370	503	07.92-09.96	■	■	
2650S (OM 442.997)		Diesel		14618	370	503	07.92-09.96	■	■	
<b>T2/L 01.59-12.95</b>							<b>Platform/Chassis</b>			
LA 911 (OM 352.990)		Diesel		5675	81	110	01.72-12.95	■		
LA 911 (OM 353.911)		Diesel		5675	124	168	01.72-12.95	■		
<b>TE</b>							<b>Trailer Axle</b>			
TE5/1C7-9							01.53-		■	
TE5/2C7-9							01.53-		■	
TE5/3C7-9							01.53-		■	
TE5/4C7-10,5							01.53-		■	
TE5/5C7-9							01.53-		■	
TE5/6C7-9							01.53-		■	
TE5/8C7-9							01.53-		■	
<b>TL</b>							<b>Trailer Axle</b>			
TL5/1C7-9							01.53-		■	
<b>TZ</b>							<b>Trailer Axle</b>			
TZ5/2C7-10,5							01.53-		■	
TZ5/8C7-9							01.53-		■	
<b>UNIMOG 01.55-</b>							<b>Platform/Chassis</b>			
U 5000 (OM 924.923)		Diesel		4801	160	218	01.12-	■		
<b>ZETROS 09.08-</b>							<b>Platform/Chassis</b>			
2733 A (OM 926.935)		Diesel		7201	240	326	09.08-	■		
2733 A (OM 926.936)		Diesel		7201	240	326	09.08-	■		
2733 A (OM 926.947)		Diesel		7201	240	326	09.08-	■		
<b>NEOPLAN</b>										
<b>01.06-</b>							<b>Bus</b>			
N 1216 HD (D 2066 LOH 03)		Diesel		10518	294	400	01.06-	■	■	
N 1216 HD (D 2066 LOH 04)		Diesel		10518	324	440	01.06-10.09	■	■	

# LISTA DE APLICACIONES - BUYERS GUIDE

								<b>Bus</b>	
<b>Centroliner 10.98-</b>									
N 4411 (D 0826 LOH 17)		Diesel		6871	162	220	10.98-	■	■
N 4416 (D 0826 LOH 17)		Diesel		6871	162	220	10.98-12.04	■	■
N 4416 (D 0826 LUH 12)		Diesel		6871	162	220	10.98-12.04	■	■
N 4416 (D 0836 LOH 03)		Diesel		6871	162	220	10.98-12.04	■	■
N 4416 (D 0826 LUH 13)		Diesel		6871	191	260	01.99-12.01	■	■
N 4411 (D 0836 LOH 02)		Diesel		6871	206	280	10.98-	■	■
N 4516 (D 2066 LUH 21)		Diesel		10518	199	271	10.98-	■	■
N 4516 (D 2066 LUH 46)		Diesel		10518	206	280	10.98-	■	■
N 4516 (D 2066 LUH 22)		Diesel		10518	228	310	10.98-	■	■
N 4522 (D 2066 LUH 22)		Diesel		10518	228	310	10.98-	■	■
N 4516 (D 2066 LUH 47)		Diesel		10518	235	320	10.98-	■	■
N 4522 (D 2066 LUH 47)		Diesel		10518	235	320	10.98-	■	■
N 4522 (D 2066 LUH 23)		Diesel		10518	257	350	05.06-	■	■
N 4516 (D 2066 LUH 33)		Diesel		10518	265	360	10.98-	■	■
N 4522 (D 2066 LUH 33)		Diesel		10518	265	360	10.98-	■	■
N 4416 (D 2866 LUH 22)		Diesel		11967	191	260	01.99-12.01	■	■
N 4420 (D 2866 LUH 22)		Diesel		11967	191	260	01.99-	■	■
N 4421 (D 2866 LUH 22)		Diesel		11967	191	260	01.99-	■	■
N 4416 (D 2866 LUH 20)		Diesel		11967	228	310	01.99-12.01	■	■
N 4420 (D 2866 LOH 25)		Diesel		11967	228	310	01.99-	■	■
N 4420 (D 2866 LUH 20)		Diesel		11967	228	310	01.99-	■	■
N 4421 (D 2866 LOH 25)		Diesel		11967	228	310	01.99-	■	■
N 4421 (D 2866 LUH 20)		Diesel		11967	228	310	01.99-	■	■
N 4420 (D 2866 LUH 21)		Diesel		11967	257	350	01.99-	■	■
N 4421 (D 2866 LUH 21)		Diesel		11967	257	350	01.99-	■	■
<b>Cityliner 04.73-</b>								<b>Bus</b>	
N 116 (DS 11.34)		Diesel		11020	228	310	09.90-	■	
N 116 (DSC 11.21)		Diesel		11020	228	310	09.90-	■	
N 116 (DSC 11.18)		Diesel		11020	267	363	09.90-09.93	■	
N 116 (DSC 11.22)		Diesel		11020	280	381	09.92-	■	
N 116 (WS 268 G)		Diesel		11627	268	364	09.92-	■	
N 116 (WS 295 G)		Diesel		11627	295	401	09.92-	■	
N 116 (D 2866 TOH)		Diesel		11967	229	311	09.90-09.92	■	
N 116 (D 2866 KOH/373)		Diesel		11967	272	370	09.90-	■	
N 116 (D 2866 LOH 07)		Diesel		11967	272	370	09.90-	■	
N 116 (D 2866 LOH 06)		Diesel		11967	309	420	09.92-	■	
N 116 (D 2866 LOH 20)		Diesel		11967	309	420	09.92-	■	
N 116 (BF 8 L 513-225)		Diesel		12763	225	306	09.90-09.92	■	
N 116 (BF 8 L 513-243)		Diesel		12763	243	330	09.90-09.92	■	
N 116/3 HC (D 2876 LOH 02)		Diesel		12816	338	460	09.04-	■	
N 122/3 (OM 422.951)		Diesel		14618	243	330	11.91-	■	
N 122/3 (OM 422.952)		Diesel		14618	243	330	11.91-	■	
N 122/3 (OM 403.933)		Diesel		15950	261	355	04.73-	■	
<b>Euroliner 07.97-</b>								<b>Bus</b>	
N 3316 KL, N 3316 ÜL (D 2866 LUH 25)		Diesel		11967	265	360	04.99-12.06	■	■
N 3316 Ü, N 3316 K (D 2866 LUH 30)		Diesel		11967	301	410	10.98-12.06	■	■
N 3318/3 Ü (D 2866 LUH 30)		Diesel		11967	301	410	07.97-12.06	■	■
<b>Jetliner 09.73-09.93</b>								<b>Bus</b>	
N 208 (D 0826 LOH 02)		Diesel		6871	140	190	09.92-09.93	■	

# LISTA DE APLICACIONES - BUYERS GUIDE

N 208 (D 0826 LOH 03)		Diesel		6871	169	230	09.90-09.93	■	
N 208 (D 0826 LOH 04)		Diesel		6871	169	230	09.90-09.93	■	
N 214, N 216 (DS 11.34)		Diesel		11020	228	310	09.90-09.93	■	
N 214, N 216 (DSC 11.21)		Diesel		11020	228	310	09.90-09.93	■	
N 214, N 216 (DSC 11.18)		Diesel		11020	267	363	09.90-09.92	■	
N 214, N 216 (DSC 11.22)		Diesel		11020	280	381	09.92-09.93	■	
N 214, N 216 (WS 268 G)		Diesel		11627	268	364	09.92-09.93	■	
N 214, N 216 (WS 295 G)		Diesel		11627	295	401	09.92-09.93	■	
N 214, N 216 (D 2866 TOH)		Diesel		11967	229	311	09.90-09.92	■	
N 214, N 216 (D 2866 KOH/373)		Diesel		11967	272	370	09.90-09.93	■	
N 214, N 216 (D 2866 LOH 07)		Diesel		11967	272	370	09.90-09.93	■	
N 214, N 216 (D 2866 LOH 03)		Diesel		11967	309	420	09.90-09.93	■	
N 214, N 216 (D 2866 LOH 06)		Diesel		11967	309	420	09.90-09.93	■	
N 214, N 216 (D 2866 LOH 20)		Diesel		11967	309	420	09.90-09.93	■	
N 213 (BF 8 L 513-225)		Diesel		12763	225	306	09.90-09.92	■	
N 214, N 216 (BF 8 L 513-225)		Diesel		12763	225	306	09.90-09.92	■	
N 213 (BF 8 L 513-243)		Diesel		12763	243	330	09.90-09.92	■	
N 214, N 216 (BF 8 L 513-243)		Diesel		12763	243	330	09.90-09.92	■	
N 216 (BF 8 L 513-243)		Diesel		12763	243	330	09.90-09.92	■	
N 216 (OM 422.909)		Diesel		14618	184	250	09.90-09.93	■	
N 216 (OM 422.912)		Diesel		14618	184	250	09.90-09.93	■	
N 216		Diesel		14618	206	280	09.90-09.93	■	
<b>Low Chassis 01.92-</b>								<b>Bus</b>	
N 4008, N4009, N4010, N4011		Diesel					01.92-	■	
N 4014, N4016, N4024, N4026		Diesel					01.92-	■	
<b>Megaliner 01.93-</b>								<b>Bus</b>	
N 128/4 (OM 442.998)		Diesel		14618	370	503	01.93-	■	■
<b>Megashuttle 01.94-</b>								<b>Bus</b>	
N 4032/4 (D 2865 LOH 02)		Diesel		9973	235	320	01.94-	■	■
<b>Regioliner 01.92-</b>								<b>Bus</b>	
N 3014		Diesel					01.92-	■	
N 3016		Diesel					01.92-	■	
<b>Skyliner 09.73-</b>								<b>Bus</b>	
N 122 (DS 11.34)		Diesel		11020	228	310	09.90-09.92	■	■
N 122 (DSC 11.18)		Diesel		11020	267	363	09.90-09.92	■	■
N 122/3 (DSC 11.18)		Diesel		11020	267	363	09.90-09.93	■	■
N 122/3 (DSC 11.22)		Diesel		11020	280	381	09.92-	■	
N 122/3 (WS 268 G)		Diesel		11627	268	364	09.92-	■	
N 122/3 (WS 295 G)		Diesel		11627	295	401	09.92-	■	
N 122 (D 2866 TOH)		Diesel		11967	229	311	09.90-09.92	■	■
N 122/3 (D 2866 KOH/373)		Diesel		11967	272	370	09.90-	■	
N 122/3 (D 2866 LOH 07)		Diesel		11967	272	370	09.90-	■	
N 122 (D 2866 KOH/373)		Diesel		11967	274	373	09.90-09.93	■	■
N 122 (D 2866 LOH 03)		Diesel		11967	309	420	09.90-09.92	■	■
N 122/3 (D 2866 LOH 03)		Diesel		11967	309	420	09.90-	■	
N 122/3 (D 2866 LOH 06)		Diesel		11967	309	420	09.90-	■	
N 122/3 (D 2866 LOH 20)		Diesel		11967	309	420	09.90-	■	
N 122 (BF 8 L 513-225)		Diesel		12763	225	306	09.90-09.92	■	■
N 122 (BF 8 L 513-243)		Diesel		12763	243	330	09.90-09.92	■	■
N 122/3 L (D 2876 LOH 21)		Diesel		12816	390	530	09.04-	■	

# LISTA DE APLICACIONES - BUYERS GUIDE

N 122/3 (OM 422.951)		Diesel		14618	243	330	09.90-	■	
N 122/3 (OM 422.952)		Diesel		14618	243	330	09.90-	■	
<b>Spaceliner 09.79-09.93</b>								<b>Bus</b>	
N 117 (DS 11.34)		Diesel		11020	228	310	09.90-	■	
N 117 (DSC 11.21)		Diesel		11020	228	310	09.90-	■	
N 117 (DSC 11.18)		Diesel		11020	267	363	09.90-09.93	■	■
N 117/3 (DSC 11.18)		Diesel		11020	267	363	09.90-09.93	■	
N 117 (DSC 11.22)		Diesel		11020	280	381	09.92-	■	
N 117/3 (DSC 11.22)		Diesel		11020	280	381	09.92-	■	
N 117 (WS 268 G)		Diesel		11627	268	364	09.92-	■	
N 117/3 (WS 268 G)		Diesel		11627	268	364	09.92-	■	
N 117 (WS 295 G)		Diesel		11627	295	401	09.92-	■	
N 117/3 (WS 295 G)		Diesel		11627	295	401	09.92-	■	
N 117 (D 2866 KOH/373)		Diesel		11967	272	370	09.90-	■	
N 117 (D 2866 LOH 07)		Diesel		11967	272	370	09.90-	■	
N 117/3 (D 2866 LOH 07)		Diesel		11967	272	370	09.92-	■	
N 117 (D 2866 LOH 03)		Diesel		11967	309	420	09.90-	■	
N 117 (D 2866 LOH 06)		Diesel		11967	309	420	09.90-	■	
N 117 (D 2866 LOH 20)		Diesel		11967	309	420	09.90-	■	
N 117/3 (D 2866 LOH 06)		Diesel		11967	309	420	09.92-	■	
N 117/3 (D 2866 LOH 20)		Diesel		11967	309	420	09.92-	■	
N 117 (BF 8 L 513-225)		Diesel		12763	225	306	09.90-09.92	■	
N 117 (BF 8 L 513-243)		Diesel		12763	243	330	09.90-09.92	■	
<b>Sportliner 01.90-</b>								<b>Bus</b>	
N 208 (D 0826 LOH 15)		Diesel		6871	162	220	01.90-	■	■
<b>Starliner 09.96-</b>								<b>Bus</b>	
N 2216 SHD (D 2866 LOH 27)		Diesel		11967	228	310	01.02-	■	
N 2216 SHD (D 2866 LOH 28)		Diesel		11967	265	360	01.02-	■	
N 516 (D 2866 LOH 23)		Diesel		11967	294	400	09.96-	■	■
N 516/3 (D 2866 LOH 23)		Diesel		11967	294	400	09.96-	■	■
N 2216 SHD (D 2866 LOH 29)		Diesel		11967	301	409	01.02-	■	
N 516 (D 2866 LOH 29)		Diesel		11967	301	410	09.02-	■	■
N 516/3 (D 2866 LOH 29)		Diesel		11967	301	410	09.02-	■	■
N 2216 SHD (D 2876 LOH 01)		Diesel		12816	338	460	01.02-	■	
N 2216 SHD (D 2876 LOH 01)		Diesel		12816	338	460	01.02-	■	
N 516 (D 2876 LOH 01)		Diesel		12816	338	460	09.96-	■	■
N 516/3 (D 2876 LOH 01)		Diesel		12816	338	460	09.96-	■	■
N 5218 SHD (D 2876 LOH 20)		Diesel		12816	353	480	05.05-	■	■
N 5218 SHD (D 2876 LOH 21)		Diesel		12816	390	530	05.05-	■	■
N 516		Diesel		14618	280	381	09.96-	■	■
N 516/3		Diesel		14618	280	381	09.96-	■	■
N 516 (OM 542.925)		Diesel		15928	350	476	09.96-	■	
N 516 (OM 542.925)		Diesel		15928	350	476	09.96-	■	
<b>Tourliner 09.02-</b>								<b>Bus</b>	
N 2216 SHD (D 2066 LOH 03)		Diesel		10518	294	400	06.06-	■	■
N 2216 SHD (D 2066 LOH 04)		Diesel		10518	324	440	06.06-	■	■
N 2216 SHDL (D 2066 LOH 04)		Diesel		10518	324	440	06.06-	■	■
N 2216 SHD (D 2866 LOH 34)		Diesel		11967	301	410	01.03-	■	■
N 2216 SHDL (D 2866 LOH 34)		Diesel		11967	301	410	01.03-	■	■
N 2216 SHD (D 2876 LOH 03)		Diesel		12816	338	460	01.03-	■	■

# LISTA DE APLICACIONES - BUYERS GUIDE

N 2216 SHDL (D 2876 LOH 03)	Diesel		12816	338	460	01.03-	■	■	
<b>Transliner 12.88-</b>							<b>Bus</b>		
N 316 (OM 401.905)	Diesel		9570	141	192	12.88-	■		
N 316 (OM 401.906)	Diesel		9570	141	192	12.88-	■		
N 314, N 316 (D 2865 LU 05)	Diesel		9973	198	270	09.93-	■		
N 314, N 316 (D 2865 LUH02)	Diesel		9973	198	270	09.93-	■		
N 321/3 (D 2865 LU 05)	Diesel		9973	198	270	09.93-	■		
N 321/3 (D 2865 LUH02)	Diesel		9973	198	270	09.93-	■		
N 316 (D 2865 LOH 02)	Diesel		9973	235	320	09.93-	■		
N 321/3 (D 2865 LOH 02)	Diesel		9973	235	320	09.93-	■		
N 316 (OM 441.997)	Diesel		10964	230	313	12.88-	■		
N 316 (OM 441.980)	Diesel		10964	250	340	12.88-	■		
N 314, N 316 (DSC 11.21)	Diesel		11020	235	320	09.93-	■		
N 321/3 (DSC 11.21)	Diesel		11020	235	320	09.93-	■		
N 316 (DSC 11.18)	Diesel		11020	267	363	09.90-09.92	■		
N 316 (DSC 11.22)	Diesel		11020	280	381	09.92-	■		
N 316 (WS 268 G)	Diesel		11627	268	364	09.92-	■		
N 316 (WS 295 G)	Diesel		11627	295	401	09.92-	■		
N 316 (D 2866 UH)	Diesel		11967	185	252	09.90-09.93	■		
N 316 (D 2866 TUH)	Diesel		11967	229	311	09.90-09.93	■		
N 316 (D 2866 KOH/373)	Diesel		11967	272	370	09.92-	■		
N 316 (D 2866 LOH 07)	Diesel		11967	272	370	09.92-	■		
N 316 (D 2866 LOH 06)	Diesel		11967	309	420	09.92-	■		
N 316 (D 2866 LOH 20)	Diesel		11967	309	420	09.92-	■		
N 316 (BF 8 L 513-225)	Diesel		12763	225	306	09.90-09.92	■		
N 321/3 (BF 8 L 513-225)	Diesel		12763	225	306	09.90-09.92	■		
N 316 (BF 8 L 513-243)	Diesel		12763	243	330	09.90-09.92	■		
N 321/3 (BF 8 L 513-243)	Diesel		12763	243	330	09.90-09.92	■		
N 316 (OM 442.979)	Diesel		14618	250	340	12.88-	■		
N 316 (OM 442.920)	Diesel		15078	195	265	12.88-	■		
N 316 (OM 442.913)	Diesel		15078	213	290	12.88-	■		
N 316 (OM 442.925)	Diesel		15078	213	290	12.88-	■		
<b>Trendliner 09.04-</b>							<b>Bus</b>		
N 3516 Ü	Diesel		11967	228	310	09.04-	■	■	
N 3516 Ü (D 2866 LUH 29)	Diesel		11967	265	360	09.04-	■	■	
N 3516/3 ÜL	Diesel		11967	301	410	09.04-	■	■	
N 3516 Ü	Diesel		11967	301	410	09.04-	■	■	
<b>OPTARE</b>									
<b>OLYMPUS 11.06-</b>							<b>Bus</b>		
OLYMPUS (D9B260)	Diesel		9364	191	260	11.06-	■	■	
OLYMPUS (D9B310)	Diesel		9364	228	310	11.06-	■	■	
<b>RENAULT TRUCKS</b>									
<b>Ares 04.98-</b>							<b>Bus</b>		
Ares (MIDR 06.20.45 R41)	Diesel		9839	222	302	10.01-12.03	■	■	
Ares (MIDR 06.20.45 M41)	Diesel		9839	250	340	04.98-12.03	■	■	
<b>SAF</b>									
<b>SK 02.98-</b>							<b>Trailer Axle</b>		
SKRZ 11222 K						02.98-		■	
SKRZ 9022 K						02.98-		■	

# LISTA DE APLICACIONES - BUYERS GUIDE

<b>SKRB</b>							<b>Trailer Axle</b>		
SKRB 9022 H (MK IV)						01.53-		■	
SKRB 9022 H (Modul X)						01.53-		■	
SKRB 9022 K						01.53-		■	
SKRB 9022 K 01 (SN7)						01.53-		■	
SKRB 9022 KI (SN7) Integral						01.53-		■	
SKRB 9022 KI 01 (SN7) Integral						01.53-		■	
<b>SKRS 12.92-</b>							<b>Trailer Axle</b>		
SKRS 11222 K						12.92-		■	
SKRS 9022 K						12.92-		■	
<b>SCANIA</b>									
<b>06.04-05.19</b>							<b>Dump Truck</b>		
P230 (DC 9.13)		Diesel		8867	169	230	01.08-05.19	■	■
P230 (DC 9.16)		Diesel		8867	169	230	01.08-05.19	■	■
P270 (DC 9.12)		Diesel		8867	198	270	04.04-05.19	■	■
P270 (DC 9.17)		Diesel		8867	198	270	04.04-05.19	■	■
P270 (DC 9.17)		Diesel		8867	198	269	08.06-05.19	■	■
P310 (DC 9.18)		Diesel		8867	228	310	01.08-05.19	■	■
P310 (DC 9.18)		Diesel		8867	228	310	08.06-05.19	■	■
P340 (DC 11.08)		Diesel		10640	250	340	04.04-05.19	■	■
P380 (DC 11.09)		Diesel		10640	279	379	04.04-05.19	■	■
P340 (DC 12.10)		Diesel		11705	250	340	10.06-05.19	■	■
P380 (DC 12.13)		Diesel		11705	280	380	10.06-05.19	■	■
P360 (DC 13.06)		Diesel		12742	265	360	07.09-05.19	■	■
<b>06.04-05.19</b>							<b>Municipal Vehicle</b>		
P230 (DC 9.13)		Diesel		8867	169	230	09.07-05.19	■	■
P230 (DC 9.16)		Diesel		8867	169	230	09.07-05.19	■	■
P270 (DC 9.12)		Diesel		8867	198	269	04.04-05.19	■	■
P270 (DC 9.17)		Diesel		8867	198	269	04.04-05.19	■	■
P270 (DC 9.12)		Diesel		8867	198	269	04.04-05.19	■	■
P270 (DC 9.17)		Diesel		8867	198	269	04.04-05.19	■	■
P270 (DC 9.17)		Diesel		8867	199	269	04.04-05.19	■	■
P310 (DC 9.11)		Diesel		8867	228	310	09.04-05.19	■	■
P310 (DC 9.18)		Diesel		8867	228	310	09.04-05.19	■	■
P310 (DC 9.18)		Diesel		8867	228	310	09.04-05.19	■	■
P310 (DC 9.18)		Diesel		8867	228	310	04.04-05.19	■	■
<b>06.04-10.05</b>							<b>Platform/Chassis</b>		
G230 (DC 9.16)		Diesel		8867	169	230	09.07-05.19	■	■
P230 (DC 9.16)		Diesel		8867	169	230	04.06-05.19	■	■
P230 (DC 9.13)		Diesel		8867	169	230	09.07-05.19	■	■
P230 (DC 9.16)		Diesel		8867	169	230	09.07-05.19	■	■
P230 (DC 9.13)		Diesel		8867	169	230	09.07-05.19	■	■
P230 (DC 9.16)		Diesel		8867	169	230	09.07-05.19	■	■
P270 (DC 9.12)		Diesel		8867	198	270	09.04-05.19	■	■
P270 (DC 9.17)		Diesel		8867	199	270	04.06-05.19	■	■
P310 (DC 9.18)		Diesel		8867	228	310	04.06-05.19	■	■
P230 (DC 9.01)		Diesel		8974	169	230	04.04-05.19	■	■
P230 (DC 9.04)		Diesel		8974	169	230	04.04-05.19	■	■
P260 (DC 9.02)		Diesel		8974	191	260	04.04-05.19	■	■

# LISTA DE APLICACIONES - BUYERS GUIDE

P260 (DC 9.05)		Diesel		8974	191	260	04.04-05.19	■	■
P300 (DC 9.03)		Diesel		8974	220	300	04.04-05.19	■	■
P300 (DC 9.06)		Diesel		8974	220	300	04.04-05.19	■	■
P280 (DC 9.29)		Diesel		9291	206	280	04.04-05.19	■	■
P340 (DC 11.08)		Diesel		10640	250	340	09.04-05.19	■	■
P340 (DC 11.08)		Diesel		10640	250	340	04.04-05.19	■	■
P340 (DC 11.08)		Diesel		10640	250	340	04.04-05.19	■	■
P340 (DC 11.08)		Diesel		10640	250	340	04.04-05.19	■	■
P340 (DC 11.08)		Diesel		10640	250	340	04.04-05.19	■	■
P340 (DC 11.08)		Diesel		10640	250	340	04.04-05.19	■	■
P380 (DC 11.09)		Diesel		10640	279	380	04.04-05.19	■	■
P380 (DC 11.09)		Diesel		10640	279	380	04.04-05.19	■	■
P340 (DC 12.10)		Diesel		11705	250	340	10.06-05.19	■	■
P340 (DC 12.10)		Diesel		11705	250	340	04.04-05.19	■	■
P340 (DC 12.10)		Diesel		11705	250	340	04.04-05.19	■	■
P340 (DC 12.10)		Diesel		11705	250	340	04.04-05.19	■	■
P340 (DC 12.10)		Diesel		11705	250	340	04.04-05.19	■	■
P380 (DC 12.13)		Diesel		11705	279	379	04.04-05.19	■	■
P380 (DC 12.17)		Diesel		11705	279	379	04.04-05.19	■	■
P380 (DC 12.13)		Diesel		11705	279	380	04.04-05.19	■	■
P380 (DC 12.13)		Diesel		11705	280	380	09.05-05.19	■	■
P380 (DC 12.13)		Diesel		11705	280	380	09.05-05.19	■	■
P380 (DC 12.13)		Diesel		11705	280	381	10.06-05.19	■	■
P380 (DC 12.13)		Diesel		11705	280	380	04.04-05.19	■	■
R380 (DC 12.13)		Diesel		11705	280	380	04.04-05.19	■	■
R380 (DC 12.18)		Diesel		11705	280	380	04.10-05.19	■	■
R420 (DC 12.14)		Diesel		11705	309	420	03.04-05.19	■	■
R420 (DT 12.12)		Diesel		11705	309	420	03.04-05.19	■	■
R420 (DC 12.14)		Diesel		11705	309	420	03.04-05.19	■	■
R420 (DT 12.12)		Diesel		11705	309	420	03.04-05.19	■	■
R420 (DT 12.11)		Diesel		11705	309	420	03.04-05.19	■	■
R470 (DT 12.06)		Diesel		11705	345	470	03.04-05.19	■	■
R470 (DT 12.03)		Diesel		11705	345	469	03.04-05.19	■	■
R470 (DT 12.06)		Diesel		11705	345	469	03.04-05.19	■	■
T470 (DT 12.06)		Diesel		11705	345	470	06.04-10.05	■	■
R480 (DT 12.17)		Diesel		11705	353	480	04.04-05.19	■	■
R480 (DT 12.17)		Diesel		11705	353	480	04.04-05.19	■	■
R480 (DT 12.17)		Diesel		11705	353	480	04.04-05.19	■	■
P360 (DC 13.06)		Diesel		12742	265	360	10.07-05.19	■	■
P360 (DC 13.06)		Diesel		12742	265	360	04.10-05.19	■	■
P400 (DC 13.05)		Diesel		12742	294	400	04.10-05.19	■	■
P400 (DC 13.05)		Diesel		12742	294	400	04.10-05.19	■	■
R440 (DC 13.10)		Diesel		12742	324	440	04.10-05.19	■	■
R440 (DC 13.10)		Diesel		12742	324	440	04.10-05.19	■	■
R440 (DC 13.10)		Diesel		12742	324	440	04.10-05.19	■	■
R480 (DC 13.07)		Diesel		12742	353	480	04.10-05.19	■	■
R480 (DC 13.07)		Diesel		12742	353	480	04.04-05.19	■	■
R480 (DC 13.07)		Diesel		12742	353	480	04.10-05.19	■	■
R480 (DC 13.07)		Diesel		12742	353	480	04.10-05.19	■	■
R500 (DC 16.04)		Diesel		15607	368	500	03.04-05.19	■	■
R500 (DC 16.06)		Diesel		15607	368	500	03.04-05.19	■	■

# LISTA DE APLICACIONES - BUYERS GUIDE

R500 (DC 16.19)		Diesel		15607	368	500	03.04-05.19	■	■
R500 (DC 16.04)		Diesel		15607	368	500	03.04-05.19	■	■
R560 (DC 16.05)		Diesel		15607	412	560	03.04-05.19	■	■
R560 (DC 16.18)		Diesel		15607	412	560	03.04-05.19	■	■
R580 (DC 16.03)		Diesel		15607	426	580	03.04-05.19	■	■
R580 (DC 16.03)		Diesel		15607	426	580	03.04-05.19	■	■
R620 (DC 16.08)		Diesel		15607	456	620	03.04-05.19	■	■
R620 (DC 16.17)		Diesel		15607	456	620	03.04-05.19	■	■
R620 (DT 16.08)		Diesel		15607	456	620	03.04-05.19	■	■
R730 (DC 16.21)		Diesel		16353	537	730	04.10-05.19	■	■
<b>06.04-05.19</b>							<b>Platform/Chassis</b>		
P260 (OSC 11.03)		Gasolina		11020	191	260	04.04-05.19	■	■
<b>06.04-05.19</b>							<b>Truck Tractor</b>		
P230 (DC 9.13)		Diesel		8867	169	230	09.04-05.19	■	■
P230 (DC 9.16)		Diesel		8867	169	230	09.04-05.19	■	■
P310 (DC 9.18)		Diesel		8867	228	310	04.04-05.19	■	■
R340 (DC 11.08)		Diesel		10640	250	340	03.04-05.19	■	■
P380 (DC 11.09)		Diesel		10640	279	380	09.04-05.19	■	■
R380 (DC 11.09)		Diesel		10640	279	380	03.04-05.19	■	■
R380 (DC 11.09)		Diesel		10640	279	380	09.04-05.19	■	■
R380 (DC 11.09)		Diesel		10640	279	379	04.04-05.19	■	■
P340 (DC 12.10)		Diesel		11705	250	340	04.04-05.19	■	■
P340 (DC 12.10)		Diesel		11705	250	340	04.04-05.19	■	■
R340 (DC 12.10)		Diesel		11705	250	340	08.06-05.19	■	■
P380 (DC 12.13)		Diesel		11705	279	380	04.04-05.19	■	■
P380 (DC 12.17)		Diesel		11705	279	379	04.04-05.19	■	■
G420 (DC 12.06)		Diesel		11705	309	420	03.04-05.19	■	■
R470 (DT 12.06)		Diesel		11705	345	470	04.04-05.19	■	■
R470 (DT 12.06)		Diesel		11705	345	469	04.04-05.19	■	■
R470 (DT 12.06)		Diesel		11705	345	470	04.04-05.19	■	■
R470 (DT 12.06)		Diesel		11705	345	469	03.04-05.19	■	■
R480 (DT 12.17)		Diesel		11705	353	480	04.04-05.19	■	■
P360 (DC 13.06)		Diesel		12742	265	360	09.09-05.19	■	■
R360 (DC 13.06)		Diesel		12742	265	360	04.10-05.19	■	■
R400 (DC 13.05)		Diesel		12742	294	400	04.10-05.19	■	■
R440 (DC 13.10)		Diesel		12742	324	440	04.10-05.19	■	■
R480 (DC 13.07)		Diesel		12742	353	480	04.10-05.19	■	■
R500 (DC 16.04)		Diesel		15607	368	500	03.04-05.19	■	■
R500 (DC 16.19)		Diesel		15607	368	500	03.04-05.19	■	■
R500 (DC 16.04)		Diesel		15607	368	500	04.04-05.19	■	■
R500 (DC 16.06)		Diesel		15607	368	500	04.04-05.19	■	■
R500 (DC 16.19)		Diesel		15607	368	500	04.04-05.19	■	■
R500 (DC 16.04)		Diesel		15607	368	500	03.04-05.19	■	■
R500 (DC 16.06)		Diesel		15607	368	500	03.04-05.19	■	■
R500 (DC 16.19)		Diesel		15607	368	500	03.04-05.19	■	■
R560 (DC 16.05)		Diesel		15607	411	559	03.04-05.19	■	■
R560 (DC 16.18)		Diesel		15607	411	559	03.04-05.19	■	■
R560 (DC 16.05)		Diesel		15607	412	560	03.08-05.19	■	■
R560 (DC 16.18)		Diesel		15607	412	560	03.08-05.19	■	■
R580 (DC 16.03)		Diesel		15607	426	580	03.04-05.19	■	■
R580 (DC 16.03)		Diesel		15607	426	580	04.04-05.19	■	■

# LISTA DE APLICACIONES - BUYERS GUIDE

R580 (DC 16.03)		Diesel		15607	426	580	04.04-05.19	■	■	
R580 (DC 16.03)		Diesel		15607	426	579	03.04-05.19	■	■	
R620 (DC 16.08)		Diesel		15607	455	619	03.04-05.19	■	■	
R620 (DC 16.17)		Diesel		15607	455	619	03.04-05.19	■	■	
R620 (DC 16.08)		Diesel		15607	456	620	09.05-05.19	■	■	
R620 (DC 16.08)		Diesel		15607	456	620	03.08-05.19	■	■	
R620 (DC 16.17)		Diesel		15607	456	620	03.08-05.19	■	■	
R730 (DC 16.21)		Diesel		16353	537	730	04.10-05.19	■	■	
R730 (DC 16.21)		Diesel		16353	537	730	04.10-05.19	■	■	
<b>4 Series 05.95-</b>							<b>Concrete Mixer</b>			
114 C/340 (DC 11.01)		Diesel		10640	250	340	05.96-04.08	■	■	
114 C/340 (DC 11.03)		Diesel		10640	250	340	05.96-04.08	■	■	
114 C/380 (DC 11.02)		Diesel		10640	279	379	03.98-04.08	■	■	
114 C/380 (DC 11.04)		Diesel		10640	279	379	03.98-04.08	■	■	
124 C/360 (DSC 12.02)		Diesel		11705	265	360	05.96-04.08	■	■	
124 C/360 (DSC 12.02)		Diesel		11705	265	360	05.96-04.08	■	■	
<b>4 Series 05.95-</b>							<b>Dump Truck</b>			
94 D/230 (DC 9.01)		Diesel		8974	169	230	04.99-04.08	■	■	
94 C/260 (DSC 9.12)		Diesel		8974	191	260	12.96-04.08	■	■	
94 C/260 (DSC 9.12)		Diesel		8974	191	260	12.96-04.08	■	■	
94 C/260 (DC 9.02)		Diesel		8974	191	260	12.96-04.08	■	■	
94 C/260 (DSC 9.12)		Diesel		8974	191	260	12.96-04.08	■	■	
94 C/260 (DSC 9.12)		Diesel		8974	191	260	12.96-04.08	■	■	
94 C/260 (DSC 9.12)		Diesel		8974	191	260	12.96-04.08	■	■	
94 D/260 (DC 9.02)		Diesel		8974	191	260	08.96-04.08	■	■	
T 94 C/260 (DSC 9.12)		Diesel		8974	191	260	12.96-04.08	■	■	
94 C/300 (DC 9.03)		Diesel		8974	220	299	08.96-04.08	■	■	
94 D/300 (DC 9.03)		Diesel		8974	220	300	08.96-04.08	■	■	
94 C/310 (DSC 9.13)		Diesel		8974	228	310	08.96-04.08	■	■	
94 C/310 (DSC 9.15)		Diesel		8974	228	310	08.96-04.08	■	■	
94 C/310 (DSC 9.13)		Diesel		8974	228	310	08.96-04.08	■	■	
94 C/310 (DSC 9.15)		Diesel		8974	228	310	08.96-04.08	■	■	
94 C/310 (DSC 9.13)		Diesel		8974	228	310	08.96-04.08	■	■	
94 C/310 (DSC 9.15)		Diesel		8974	228	310	08.96-04.08	■	■	
94 C/310 (DSC 9.13)		Diesel		8974	228	310	08.96-04.08	■	■	
94 C/310 (DSC 9.15)		Diesel		8974	228	310	08.96-04.08	■	■	
94 C/310 (DSC 9.13)		Diesel		8974	228	310	08.96-04.08	■	■	
94 C/310 (DSC 9.15)		Diesel		8974	228	310	08.96-04.08	■	■	
T 94 C/310 (DSC 9.13)		Diesel		8974	228	310	09.96-04.08	■	■	
114 C/330 (DC 11.07)		Diesel		10640	237	322	05.96-04.08	■	■	
114 C/340 (DC 11.01)		Diesel		10640	250	340	03.98-04.08	■	■	
114 C/340 (DC 11.03)		Diesel		10640	250	340	03.98-04.08	■	■	
114 C/340 (DC 11.01)		Diesel		10640	250	340	03.98-04.08	■	■	
114 C/340 (DC 11.03)		Diesel		10640	250	340	03.98-04.08	■	■	
114 C/340 (DC 11.01)		Diesel		10640	250	340	03.98-04.08	■	■	
114 C/340 (DC 11.03)		Diesel		10640	250	340	03.98-04.08	■	■	
114 C/340 (DC 11.01)		Diesel		10640	250	340	03.98-04.08	■	■	
114 C/340 (DC 11.03)		Diesel		10640	250	340	03.98-04.08	■	■	
114 C/340 (DC 11.01)		Diesel		10640	250	340	03.98-04.08	■	■	
114 C/340 (DC 11.03)		Diesel		10640	250	340	03.98-04.08	■	■	
114 C/340 (DC 11.01)		Diesel		10640	250	340	03.98-04.08	■	■	
114 C/340 (DC 11.03)		Diesel		10640	250	340	03.98-04.08	■	■	
114 C/340 (DC 11.01)		Diesel		10640	250	340	05.96-04.08	■	■	

# LISTA DE APLICACIONES - BUYERS GUIDE

T 114 C/340 (DC 11.01)	Diesel	10640	250	340	03.98-04.08	■	■	
T 114 C/340 (DC 11.03)	Diesel	10640	250	340	03.98-04.08	■	■	
114 C/380 (DC 11.04)	Diesel	10640	279	380	03.98-04.08	■	■	
114 C/380 (DC 11.02)	Diesel	10640	280	381	03.98-04.08	■	■	
114 C/380 (DC 11.02)	Diesel	10640	280	381	03.98-04.08	■	■	
114 C/380 (DC 11.02)	Diesel	10640	280	381	03.98-04.08	■	■	
114 C/380 (DC 11.02)	Diesel	10640	280	381	03.98-04.08	■	■	
114 C/380 (DC 11.02)	Diesel	10640	280	381	03.98-04.08	■	■	
114 C/380 (DC 11.04)	Diesel	10640	280	381	03.98-04.08	■	■	
T 114 C/380 (DC 11.02)	Diesel	10640	280	380	03.98-04.08	■	■	
114 C/340 (DSC 11.79)	Diesel	11020	250	340	05.96-04.08	■	■	
114 C/340 (DSC 11.79)	Diesel	11020	250	340	05.96-04.08	■	■	
114 C/340 (DSC 11.79)	Diesel	11020	250	340	05.96-04.08	■	■	
114 C/340 (DSC 11.79)	Diesel	11020	250	340	05.96-04.08	■	■	
114 C/340 (DSC 11.79)	Diesel	11020	250	340	05.96-04.08	■	■	
124 C/360 (DSC 12.02)	Diesel	11705	265	360	09.96-04.08	■	■	
124 C/360 (DSC 12.02)	Diesel	11705	265	360	09.96-04.08	■	■	
124 C/360 (DSC 12.02)	Diesel	11705	265	360	09.96-04.08	■	■	
124 C/360 (DSC 12.02)	Diesel	11705	265	360	09.96-04.08	■	■	
124 C/360 (DSC 12.02)	Diesel	11705	265	360	09.96-04.08	■	■	
T 124 C/360 (DSC 12.02)	Diesel	11705	265	360	09.95-04.08	■	■	
124 C/400 (DSC 12.01)	Diesel	11705	294	400	09.96-04.08	■	■	
124 C/400 (DSC 12.01)	Diesel	11705	294	400	09.96-04.08	■	■	
124 C/400 (DSC 12.01)	Diesel	11705	294	400	09.96-04.08	■	■	
124 C/400 (DSC 12.01)	Diesel	11705	294	400	09.96-04.08	■	■	
124 C/400 (DSC 12.01)	Diesel	11705	294	400	09.96-04.08	■	■	
T 124 C/400 (DSC 12.01)	Diesel	11705	294	400	05.96-04.08	■	■	
124 C/420 (DC 12.01)	Diesel	11705	309	420	05.96-04.08	■	■	
T 124 C/420 (DC 12.01)	Diesel	11705	309	420	05.96-04.08	■	■	
T 124 C/420 (DSC 12.05)	Diesel	11705	309	420	05.96-04.08	■	■	
144 C/460 (DSC 14.15)	Diesel	14190	338	460	09.96-04.08	■	■	
144 C/460 (DSC 14.15)	Diesel	14190	338	460	09.96-04.08	■	■	
144 C/530 (DSC 14.13)	Diesel	14190	390	530	09.96-04.08	■	■	
144 C/530 (DSC 14.13)	Diesel	14190	390	530	09.96-04.08	■	■	
164 C/480 (DC 16.02)	Diesel	15607	353	480	05.00-04.08	■	■	
164 C/480 (DC 16.02)	Diesel	15607	353	480	05.00-04.08	■	■	
164 C/480 (DC 16.02)	Diesel	15607	353	480	05.00-04.08	■	■	
164 C/480 (DC 16.02)	Diesel	15607	353	480	05.00-04.08	■	■	
164 C/480 (DC 16.02)	Diesel	15607	353	480	05.00-04.08	■	■	
<b>4 Series 05.95-</b>							<b>Platform/Chassis</b>	
94 D/270 (DC 9.20)	Diesel	8867	198	269	08.96-04.08	■	■	
94 D/220 (DSC 9.11)	Diesel	8974	162	220	08.96-04.08	■	■	
94 D/220 (DSC 9.11)	Diesel	8974	162	220	08.96-04.08	■	■	
94 D/220 (DSC 9.11)	Diesel	8974	162	220	08.96-04.08	■	■	
94 G/220 (DSC 9.11)	Diesel	8974	162	220	08.96-04.08	■	■	
94 G/220 (DSC 9.11)	Diesel	8974	162	220	01.98-04.08	■	■	
T 94 G/220 (DSC 9.11)	Diesel	8974	162	220	08.96-04.08	■	■	
T 94 G/220 (DSC 9.11)	Diesel	8974	162	220	08.96-04.08	■	■	
94 D/230 (DC 9.01)	Diesel	8974	169	230	08.99-04.08	■	■	
94 D/230 (DC 9.04)	Diesel	8974	169	230	08.99-04.08	■	■	
94 D/230 (DC 9.01)	Diesel	8974	169	230	08.99-04.08	■	■	

# LISTA DE APLICACIONES - BUYERS GUIDE

94 D/230 (DC 9.04)		Diesel		8974	169	230	08.99-04.08	■	■
94 D/230 (DC 9.01)		Diesel		8974	169	230	04.99-04.08	■	■
T 94 G/230 (DC 9.01)		Diesel		8974	169	230	04.99-04.08	■	■
T 94 G/230 (DC 9.01)		Diesel		8974	169	230	04.99-04.08	■	■
94 /G260 (DSC 9.12)		Diesel		8974	191	260	08.96-04.08	■	■
94 C/260 (DSC 9.12)		Diesel		8974	191	260	12.96-04.08	■	■
94 C/260 (DSC 9.12)		Diesel		8974	191	260	12.96-04.08	■	■
94 D/260 (DC 9.02)		Diesel		8974	191	260	08.96-04.08	■	■
94 D/260 (DSC 9.12)		Diesel		8974	191	260	08.96-04.08	■	■
94 D/260 (DSC 9.12)		Diesel		8974	191	260	08.96-04.08	■	■
94 D/260 (DC 9.02)		Diesel		8974	191	260	08.96-04.08	■	■
94 D/260 (DC 9.02)		Diesel		8974	191	260	08.96-04.08	■	■
94 D/260 (DSC 9.12)		Diesel		8974	191	260	08.96-04.08	■	■
94 G/260 (DSC 9.12)		Diesel		8974	191	260	08.96-04.08	■	■
94 G/260 (DSC 9.12)		Diesel		8974	191	260	01.98-04.08	■	■
94 G/260 (DSC 9.12)		Diesel		8974	191	260	08.96-04.08	■	■
T 94 C/260 (DSC 9.12)		Diesel		8974	191	260	12.96-04.08	■	■
T 94 C/260 (DSC 9.12)		Diesel		8974	191	260	12.96-04.08	■	■
T 94 G/260 (DSC 9.12)		Diesel		8974	191	260	12.96-04.08	■	■
T 94 G/260 (DSC 9.12)		Diesel		8974	191	260	12.96-04.08	■	■
T 94 G/260 (DSC 9.12)		Diesel		8974	191	260	12.96-04.08	■	■
94 D/300 (DC 9.03)		Diesel		8974	220	299	08.96-04.08	■	■
94 D/300 (DC 9.03)		Diesel		8974	220	300	08.96-04.08	■	■
94 D/300 (DC 9.03)		Diesel		8974	220	300	08.96-04.08	■	■
T 94 G/310 (DC 9.03)		Diesel		8974	221	300	12.96-04.08	■	■
T 94 G/310 (DSC 9.13)		Diesel		8974	221	300	12.96-04.08	■	■
T 94 G/310 (DSC 9.15)		Diesel		8974	221	300	12.96-04.08	■	■
94 C/310 (DSC 9.13)		Diesel		8974	228	310	08.96-04.08	■	■
94 C/310 (DSC 9.15)		Diesel		8974	228	310	08.96-04.08	■	■
94 C/310 (DSC 9.13)		Diesel		8974	228	310	08.96-04.08	■	■
94 C/310 (DSC 9.15)		Diesel		8974	228	310	08.96-04.08	■	■
94 D/310 (DSC 9.13)		Diesel		8974	228	310	12.96-04.08	■	■
94 D/310 (DSC 9.15)		Diesel		8974	228	310	12.96-04.08	■	■
94 D/310 (DSC 9.13)		Diesel		8974	228	310	01.98-04.08	■	■
94 D/310 (DSC 9.15)		Diesel		8974	228	310	01.98-04.08	■	■
94 D/310 (DSC 9.13)		Diesel		8974	228	310	08.96-04.08	■	■
94 G/310 (DSC 9.13)		Diesel		8974	228	310	08.96-04.08	■	■
94 G/310 (DSC 9.15)		Diesel		8974	228	310	08.96-04.08	■	■
94 G/310 (DSC 9.13)		Diesel		8974	228	310	08.96-04.08	■	■
94 G/310 (DSC 9.13)		Diesel		8974	228	310	08.96-04.08	■	■
94 G/310 (DSC 9.13)		Diesel		8974	228	310	08.96-04.08	■	■
94 L/310 (DSC 9.13)		Diesel		8974	228	310	08.96-04.08	■	■
94 L/310 (DSC 9.15)		Diesel		8974	228	310	08.96-04.08	■	■
94 L/310 (DSC 9.13)		Diesel		8974	228	310	08.96-04.08	■	■
94 L/310 (DSC 9.15)		Diesel		8974	228	310	08.96-04.08	■	■
94 L/310 (DSC 9.13)		Diesel		8974	228	310	08.96-04.08	■	■
94 L/310 (DSC 9.15)		Diesel		8974	228	310	08.96-04.08	■	■
94 L/310 (DSC 9.13)		Diesel		8974	228	310	08.96-04.08	■	■
T 94 C/310 (DSC 9.13)		Diesel		8974	228	310	09.96-04.08	■	■
T 94 C/310 (DSC 9.13)		Diesel		8974	228	310	09.96-04.08	■	■
T 94 G/310 (DSC 9.13)		Diesel		8974	228	310	12.96-04.08	■	■







# LISTA DE APLICACIONES - BUYERS GUIDE

124 G/470 (DT 12.02)		Diesel		11705	345	469	01.00-04.08	■	■
124 G/470 (DT 12.02)		Diesel		11705	345	469	01.00-04.08	■	■
124 L/470 (DT 12.02)		Diesel		11705	345	470	01.01-04.08	■	■
124 L/470 (DT 12.02)		Diesel		11705	345	470	01.01-04.08	■	■
144 C/460 (DSC 14.15)		Diesel		14190	338	460	09.96-04.08	■	■
144 C/460 (DSC 14.15)		Diesel		14190	338	460	09.96-04.08	■	■
144 G/460 (DSC 14.15)		Diesel		14190	338	460	04.96-04.08	■	■
144 G/460 (DSC 14.15)		Diesel		14190	338	460	04.96-04.08	■	■
144 G/460 (DSC 14.15)		Diesel		14190	338	460	04.96-04.08	■	■
144 G/460 (DSC 14.15)		Diesel		14190	338	460	04.96-04.08	■	■
144 G/460 (DSC 14.15)		Diesel		14190	338	460	04.96-04.08	■	■
144 L/460 (DSC 14.15)		Diesel		14190	338	460	11.95-04.08	■	■
144 L/460 (DSC 14.15)		Diesel		14190	338	460	11.95-04.08	■	■
144 L/460 (DSC 14.15)		Diesel		14190	338	460	11.95-04.08	■	■
T 144 C/460 (DSC 14.15)		Diesel		14190	338	460	09.95-04.08	■	■
T 144 C/460 (DSC 14.15)		Diesel		14190	338	460	09.95-04.08	■	■
T 144 G/460 (DSC 14.15)		Diesel		14190	338	460	03.97-04.08	■	■
T 144 G/460 (DSC 14.15)		Diesel		14190	338	460	03.97-04.08	■	■
T 144 G/460 (DSC 14.15)		Diesel		14190	338	460	03.97-04.08	■	■
144 C/530 (DSC 14.13)		Diesel		14190	390	530	09.96-04.08	■	■
144 C/530 (DSC 14.13)		Diesel		14190	390	530	09.96-04.08	■	■
144 G/530 (DSC 14.13)		Diesel		14190	390	530	04.96-04.08	■	■
144 G/530 (DSC 14.13)		Diesel		14190	390	530	04.96-04.08	■	■
144 G/530 (DSC 14.13)		Diesel		14190	390	530	04.96-04.08	■	■
144 G/530 (DSC 14.13)		Diesel		14190	390	530	04.96-04.08	■	■
144 G/530 (DSC 14.13)		Diesel		14190	390	530	04.96-04.08	■	■
144 L/530 (DSC 14.13)		Diesel		14190	390	530	11.95-04.08	■	■
144 L/530 (DSC 14.13)		Diesel		14190	390	530	11.95-04.08	■	■
144 L/530 (DSC 14.13)		Diesel		14190	390	530	01.00-04.08	■	■
T 144 C/530 (DSC 14.13)		Diesel		14190	390	530	09.95-04.08	■	■
T 144 C/530 (DSC 14.13)		Diesel		14190	390	530	09.95-04.08	■	■
T 144 G/530 (DSC 14.13)		Diesel		14190	390	530	03.97-04.08	■	■
T 144 G/530 (DSC 14.13)		Diesel		14190	390	530	03.97-04.08	■	■
T 144 G/530 (DSC 14.13)		Diesel		14190	390	530	03.97-04.08	■	■
144 L/460 (DSC 14.15)		Diesel		14200	338	460	11.95-04.08	■	■
144 L/530 (DSC 14.13)		Diesel		14200	390	530	11.95-04.08	■	■
164 C/480 (DC 16.02)		Diesel		15607	353	480	05.00-04.08	■	■
164 C/480 (DC 16.02)		Diesel		15607	353	480	05.00-04.08	■	■
164 C/480 (DC 16.02)		Diesel		15607	353	480	05.00-04.08	■	■
164 G/480 (DC 16.02)		Diesel		15607	353	480	05.00-04.08	■	■
164 G/480 (DC 16.02)		Diesel		15607	353	480	05.00-04.08	■	■
164 G/480 (DC 16.02)		Diesel		15607	353	480	01.00-04.08	■	■
164 L/480 (DC 16.02)		Diesel		15607	353	480	05.00-04.08	■	■
164 L/480 (DC 16.02)		Diesel		15607	353	480	05.00-04.08	■	■
164 L/480 (DC 16.02)		Diesel		15607	353	480	05.00-04.08	■	■
164 C/580 (DC 16.01)		Diesel		15607	426	580	05.00-04.08	■	■
164 C/580 (DC 16.01)		Diesel		15607	426	580	05.00-04.08	■	■
164 G/580 (DC 16.01)		Diesel		15607	426	580	05.00-04.08	■	■
164 G/580 (DC 16.01)		Diesel		15607	426	580	05.00-04.08	■	■
164 G/580 (DC 16.01)		Diesel		15607	426	579	01.00-04.08	■	■
164 L/580 (DC 16.01)		Diesel		15607	426	580	05.00-04.08	■	■

# LISTA DE APLICACIONES - BUYERS GUIDE

164 L/580 (DC 16.01)		Diesel		15607	426	580	05.00-04.08	■	■	
164 L/580 (DC 16.01)		Diesel		15607	426	580	05.00-04.08	■	■	
<b>4 Series 05.95-</b>							<b>Truck Tractor</b>			
94 D/220 (DSC 9.11)		Diesel		8974	162	220	08.96-04.08	■	■	
94 D/220 (DSC 9.11)		Diesel		8974	162	220	08.96-04.08	■	■	
94 G/220 (DSC 9.11)		Diesel		8974	162	220	08.96-04.08	■	■	
T 94 G/220 (DSC 9.11)		Diesel		8974	162	220	08.96-04.08	■	■	
94 D/230 (DC 9.01)		Diesel		8974	169	230	08.99-04.08	■	■	
94 D/230 (DC 9.04)		Diesel		8974	169	230	08.99-04.08	■	■	
T 94 G/230 (DC 9.01)		Diesel		8974	169	230	04.99-04.08	■	■	
94 D/260 (DC 9.02)		Diesel		8974	191	260	08.96-04.08	■	■	
94 D/260 (DSC 9.12)		Diesel		8974	191	260	08.96-04.08	■	■	
94 D/260 (DSC 9.12)		Diesel		8974	191	260	08.96-04.08	■	■	
94 G/260 (DSC 9.12)		Diesel		8974	191	260	08.96-04.08	■	■	
T 94 G/260 (DSC 9.12)		Diesel		8974	191	260	12.96-04.08	■	■	
94 D/300 (DC 9.03)		Diesel		8974	220	300	08.96-04.08	■	■	
94 C/310 (DSC 9.13)		Diesel		8974	228	310	08.96-04.08	■	■	
94 C/310 (DSC 9.15)		Diesel		8974	228	310	08.96-04.08	■	■	
94 D/310 (DSC 9.13)		Diesel		8974	228	310	12.96-04.08	■	■	
94 D/310 (DSC 9.15)		Diesel		8974	228	310	12.96-04.08	■	■	
94 D/310 (DSC 9.13)		Diesel		8974	228	310	08.96-04.08	■	■	
94 G/310 (DSC 9.13)		Diesel		8974	228	310	08.96-04.08	■	■	
94 G/310 (DSC 9.15)		Diesel		8974	228	310	08.96-04.08	■	■	
94 L/310 (DSC 9.13)		Diesel		8974	228	310	08.96-04.08	■	■	
94 L/310 (DSC 9.15)		Diesel		8974	228	310	08.96-04.08	■	■	
94 L/310 (DSC 9.13)		Diesel		8974	228	310	08.96-04.08	■	■	
94 L/310 (DSC 9.15)		Diesel		8974	228	310	08.96-04.08	■	■	
T 94 C/310 (DSC 9.13)		Diesel		8974	228	310	09.96-04.08	■	■	
T 94 G/310 (DSC 9.13)		Diesel		8974	228	310	12.96-04.08	■	■	
T 94 G/310 (DSC 9.15)		Diesel		8974	228	310	12.96-04.08	■	■	
T 94 L/310 (DSC 9.13)		Diesel		8974	228	310	09.96-04.08	■	■	
T 94 L/310 (DSC 9.15)		Diesel		8974	228	310	09.96-04.08	■	■	
114 C/340 (DC 11.01)		Diesel		10640	250	340	03.98-04.08	■	■	
114 C/340 (DC 11.03)		Diesel		10640	250	340	03.98-04.08	■	■	
114 C/340 (DC 11.01)		Diesel		10640	250	340	03.98-04.08	■	■	
114 C/340 (DC 11.03)		Diesel		10640	250	340	03.98-04.08	■	■	
114 C/340 (DC 11.03)		Diesel		10640	250	340	05.96-04.08	■	■	
114 G/340 (DC 11.01)		Diesel		10640	250	340	03.98-04.08	■	■	
114 G/340 (DC 11.03)		Diesel		10640	250	340	03.98-04.08	■	■	
114 G/340 (DC 11.01)		Diesel		10640	250	340	03.98-04.08	■	■	
114 G/340 (DC 11.03)		Diesel		10640	250	340	03.98-04.08	■	■	
114 G/340 (DC 11.01)		Diesel		10640	250	340	03.98-04.08	■	■	
114 G/340 (DC 11.03)		Diesel		10640	250	340	03.98-04.08	■	■	
114 L/340 (DC 11.01)		Diesel		10640	250	340	03.98-04.08	■	■	
114 L/340 (DC 11.03)		Diesel		10640	250	340	03.98-04.08	■	■	
114 L/340 (DC 11.01)		Diesel		10640	250	340	03.98-04.08	■	■	
114 L/340 (DC 11.03)		Diesel		10640	250	340	03.98-04.08	■	■	
114 L/340 (DC 11.01)		Diesel		10640	250	340	03.98-04.08	■	■	
114 L/340 (DC 11.03)		Diesel		10640	250	340	03.98-04.08	■	■	
114 L/340 (DC 11.03)		Diesel		10640	250	340	05.96-04.08	■	■	
T 114 C/340 (DC 11.01)		Diesel		10640	250	340	03.98-04.08	■	■	



# LISTA DE APLICACIONES - BUYERS GUIDE

T 114 G/340 (DSC 11.79)		Diesel		11020	250	340	05.96-04.08	■	■
T 114 L/340 (DSC 11.79)		Diesel		11020	250	340	05.96-04.08	■	■
124 C/360 (DSC 12.02)		Diesel		11705	265	360	09.96-04.08	■	■
124 C/360 (DSC 12.02)		Diesel		11705	265	360	09.96-04.08	■	■
124 G/360 (DSC 12.02)		Diesel		11705	265	360	05.96-04.08	■	■
124 G/360 (DSC 12.02)		Diesel		11705	265	360	05.96-04.08	■	■
124 G/360 (DSC 12.02)		Diesel		11705	265	360	05.96-04.08	■	■
124 L/360 (DSC 12.02)		Diesel		11705	265	360	09.96-04.08	■	■
124 L/360 (DSC 12.02)		Diesel		11705	265	360	09.96-04.08	■	■
124 L/360 (DSC 12.02)		Diesel		11705	265	360	09.96-04.08	■	■
T 124 C/360 (DSC 12.02)		Diesel		11705	265	360	09.95-04.08	■	■
T 124 C/360 (DSC 12.02)		Diesel		11705	265	360	09.95-04.08	■	■
T 124 G/360 (DSC 12.02)		Diesel		11705	265	360	03.97-04.08	■	■
T 124 G/360 (DSC 12.02)		Diesel		11705	265	360	03.97-04.08	■	■
T 124 G/360 (DSC 12.02)		Diesel		11705	265	360	03.97-04.08	■	■
T 124 L/360 (DSC 12.02)		Diesel		11705	265	360	02.97-04.08	■	■
T 124 L/360 (DSC 12.02)		Diesel		11705	265	360	05.95-04.08	■	■
T 124 L/360 (DSC 12.02)		Diesel		11705	265	360	09.95-04.08	■	■
124 C/400 (DSC 12.01)		Diesel		11705	294	400	09.96-04.08	■	■
124 C/400 (DSC 12.01)		Diesel		11705	294	400	09.96-04.08	■	■
124 G/400 (DSC 12.01)		Diesel		11705	294	400	05.96-04.08	■	■
124 G/400 (DSC 12.01)		Diesel		11705	294	400	05.96-04.08	■	■
124 G/400 (DSC 12.01)		Diesel		11705	294	400	05.96-04.08	■	■
124 L/400 (DSC 12.01)		Diesel		11705	294	400	09.96-04.08	■	■
124 L/400 (DSC 12.01)		Diesel		11705	294	400	09.96-04.08	■	■
124 L/400 (DSC 12.01)		Diesel		11705	294	400	09.96-04.08	■	■
T 124 C/400 (DSC 12.01)		Diesel		11705	294	400	05.96-04.08	■	■
T 124 C/400 (DSC 12.01)		Diesel		11705	294	400	05.96-04.08	■	■
T 124 G/400 (DSC 12.01)		Diesel		11705	294	400	03.97-04.08	■	■
T 124 G/400 (DSC 12.01)		Diesel		11705	294	400	03.97-04.08	■	■
T 124 G/400 (DSC 12.01)		Diesel		11705	294	400	03.97-04.08	■	■
T 124 L/400 (DSC 12.01)		Diesel		11705	294	400	02.97-04.08	■	■
T 124 L/400 (DSC 12.01)		Diesel		11705	294	400	05.96-04.08	■	■
T 124 L/400 (DSC 12.01)		Diesel		11705	294	400	05.96-04.08	■	■
124 /G420 (DSC 12.05)		Diesel		11705	308	420	05.96-04.08	■	■
124 L/420 (DC 12.01)		Diesel		11705	308	420	09.97-04.08	■	■
124 L/420 (DC 12.03)		Diesel		11705	308	420	09.97-04.08	■	■
124 L/420 (DSC 12.05)		Diesel		11705	308	420	09.97-04.08	■	■
124 L/420 (DC 12.01)		Diesel		11705	308	419	05.96-04.08	■	■
124 L/420 (DC 12.03)		Diesel		11705	308	419	05.96-04.08	■	■
124 C/420 (DC 12.01)		Diesel		11705	309	420	05.96-04.08	■	■
124 C/420 (DSC 12.05)		Diesel		11705	309	420	05.96-04.08	■	■
124 C/420 (DC 12.01)		Diesel		11705	309	420	05.96-04.08	■	■
124 C/420 (DSC 12.05)		Diesel		11705	309	420	05.96-04.08	■	■
124 G/420 (DSC 12.05)		Diesel		11705	309	420	05.96-04.08	■	■
124 L/420 (DC 12.01)		Diesel		11705	309	420	09.97-04.08	■	■
124 L/420 (DSC 12.05)		Diesel		11705	309	420	09.97-04.08	■	■
124 L/420 (DSC 12.05)		Diesel		11705	309	420	09.97-04.08	■	■
124 L/420 (DC 12.01)		Diesel		11705	309	420	05.96-04.08	■	■
T 124 C/420 (DC 12.01)		Diesel		11705	309	420	05.96-04.08	■	■
T 124 C/420 (DSC 12.05)		Diesel		11705	309	420	05.96-04.08	■	■

# LISTA DE APLICACIONES - BUYERS GUIDE

T 124 C/420 (DC 12.01)		Diesel		11705	309	420	09.97-04.08	■	■
T 124 C/420 (DSC 12.05)		Diesel		11705	309	420	09.97-04.08	■	■
T 124 C/420 (DSC 12.05)		Diesel		11705	309	420	05.96-04.08	■	■
T 124 G/420 (DC 12.01)		Diesel		11705	309	420	09.97-04.08	■	■
T 124 G/420 (DSC 12.05)		Diesel		11705	309	420	09.97-04.08	■	■
T 124 G/420 (DC 12.01)		Diesel		11705	309	420	09.97-04.08	■	■
T 124 G/420 (DSC 12.05)		Diesel		11705	309	420	09.97-04.08	■	■
T 124 G/420 (DC 12.01)		Diesel		11705	309	420	09.97-04.08	■	■
T 124 G/420 (DSC 12.05)		Diesel		11705	309	420	09.97-04.08	■	■
T 124 G/420 (DSC 12.05)		Diesel		11705	309	420	05.96-04.08	■	■
T 124 L/420 (DC 12.01)		Diesel		11705	309	420	05.96-04.08	■	■
T 124 L/420 (DSC 12.05)		Diesel		11705	309	420	05.96-04.08	■	■
T 124 L/420 (DC 12.01)		Diesel		11705	309	420	09.97-04.08	■	■
T 124 L/420 (DSC 12.05)		Diesel		11705	309	420	09.97-04.08	■	■
T 124 L/420 (DC 12.01)		Diesel		11705	309	420	09.97-04.08	■	■
T 124 L/420 (DSC 12.05)		Diesel		11705	309	420	09.97-04.08	■	■
T 124 L/420 (DC 12.01)		Diesel		11705	309	420	05.96-04.08	■	■
T 124 L/420 (DSC 12.05)		Diesel		11705	309	420	05.96-04.08	■	■
124 L/440 (DT 12.08)		Diesel		11705	324	440	01.01-04.08	■	■
124 L/440 (DT 12.08)		Diesel		11705	324	440	01.01-04.08	■	■
124 C/470 (DT 12.02)		Diesel		11705	345	469	01.00-04.08	■	■
124 L/470 (DT 12.02)		Diesel		11705	345	470	01.01-04.08	■	■
124 L/470 (DT 12.02)		Diesel		11705	345	470	01.01-04.08	■	■
124 L/470 (DT 12.02)		Diesel		11705	345	469	01.00-04.08	■	■
124 L/470 (DT 12.02)		Diesel		11705	345	469	01.00-04.08	■	■
T 124 L/470 (DT 12.02)		Diesel		11705	345	470	01.01-04.08	■	■
T 124 L/470 (DT 12.02)		Diesel		11705	345	469	01.00-04.08	■	■
144 C/460 (DSC 14.15)		Diesel		14190	338	460	09.96-04.08	■	■
144 C/460 (DSC 14.15)		Diesel		14190	338	460	09.96-04.08	■	■
144 G/460 (DSC 14.15)		Diesel		14190	338	460	04.96-04.08	■	■
144 G/460 (DSC 14.15)		Diesel		14190	338	460	04.96-04.08	■	■
144 G/460 (DSC 14.15)		Diesel		14190	338	460	04.96-04.08	■	■
144 L/460 (DSC 14.15)		Diesel		14190	338	460	11.95-04.08	■	■
144 L/460 (DSC 14.15)		Diesel		14190	338	460	11.95-04.08	■	■
144 L/460 (DSC 14.15)		Diesel		14190	338	460	11.95-04.08	■	■
T 144 C/460 (DSC 14.15)		Diesel		14190	338	460	09.95-04.08	■	■
T 144 C/460 (DSC 14.15)		Diesel		14190	338	460	09.95-04.08	■	■
T 144 G/460 (DSC 14.15)		Diesel		14190	338	460	03.97-04.08	■	■
T 144 G/460 (DSC 14.15)		Diesel		14190	338	460	03.97-04.08	■	■
T 144 G/460 (DSC 14.15)		Diesel		14190	338	460	03.97-04.08	■	■
T 144 L/460 (DSC 14.15)		Diesel		14190	338	460	03.97-04.08	■	■
T 144 L/460 (DSC 14.15)		Diesel		14190	338	460	09.95-04.08	■	■
T 144 L/460 (DSC 14.15)		Diesel		14190	338	460	09.95-04.08	■	■
T 144 L/460 (DSC 14.15)		Diesel		14190	338	460	03.97-04.08	■	■
144 C/530 (DSC 14.13)		Diesel		14190	390	530	09.96-04.08	■	■
144 C/530 (DSC 14.13)		Diesel		14190	390	530	09.96-04.08	■	■
144 G/530 (DSC 14.13)		Diesel		14190	390	530	04.96-04.08	■	■
144 G/530 (DSC 14.13)		Diesel		14190	390	530	04.96-04.08	■	■
144 G/530 (DSC 14.13)		Diesel		14190	390	530	04.96-04.08	■	■
144 L/530 (DSC 14.13)		Diesel		14190	390	530	11.95-04.08	■	■
144 L/530 (DSC 14.13)		Diesel		14190	390	530	11.95-04.08	■	■

# LISTA DE APLICACIONES - BUYERS GUIDE

144 L/530 (DSC 14.13)		Diesel		14190	390	530	11.95-04.08	■	■
T 144 C/530 (DSC 14.13)		Diesel		14190	390	530	09.95-04.08	■	■
T 144 C/530 (DSC 14.13)		Diesel		14190	390	530	09.95-04.08	■	■
T 144 G/530 (DSC 14.13)		Diesel		14190	390	530	03.97-04.08	■	■
T 144 G/530 (DSC 14.13)		Diesel		14190	390	530	03.97-04.08	■	■
T 144 G/530 (DSC 14.13)		Diesel		14190	390	530	03.97-04.08	■	■
T 144 L/530 (DSC 14.13)		Diesel		14190	390	530	03.97-04.08	■	■
T 144 L/530 (DSC 14.13)		Diesel		14190	390	530	09.95-04.08	■	■
T 144 L/530 (DSC 14.13)		Diesel		14190	390	530	09.95-04.08	■	■
T 144 L/530 (DSC 14.13)		Diesel		14190	390	530	03.97-04.08	■	■
164 L/480 (DC 16.02)		Diesel		15600	353	480	01.00-04.08	■	■
164 C/480 (DC 16.02)		Diesel		15607	353	480	05.00-04.08	■	■
164 C/480 (DC 16.02)		Diesel		15607	353	480	05.00-04.08	■	■
164 C/480 (DC 16.02)		Diesel		15607	353	480	05.00-04.08	■	■
164 G/480 (DC 16.02)		Diesel		15607	353	480	05.00-04.08	■	■
164 G/480 (DC 16.02)		Diesel		15607	353	480	01.00-04.08	■	■
164 L/480 (DC 16.02)		Diesel		15607	353	480	05.00-04.08	■	■
164 L/480 (DC 16.02)		Diesel		15607	353	480	05.00-04.08	■	■
164 L/480 (DC 16.02)		Diesel		15607	353	480	05.00-04.08	■	■
164 L/480 (DC 16.02)		Diesel		15607	353	480	01.00-04.08	■	■
164 C/580 (DC 16.01)		Diesel		15607	426	580	05.00-04.08	■	■
164 C/580 (DC 16.01)		Diesel		15607	426	580	05.00-04.08	■	■
164 G/580 (DC 16.01)		Diesel		15607	426	580	05.00-04.08	■	■
164 G/580 (DC 16.01)		Diesel		15607	426	580	05.00-04.08	■	■
164 G/580 (DC 16.01)		Diesel		15607	426	580	05.00-04.08	■	■
164 L/580 (DC 16.01)		Diesel		15607	426	580	05.00-04.08	■	■
164 L/580 (DC 16.01)		Diesel		15607	426	580	05.00-04.08	■	■
164 L/580 (DC 16.01)		Diesel		15607	426	579	01.00-04.08	■	■
164 L/580 (DC 16.01)		Diesel		15607	426	579	01.00-04.08	■	■
<b>P,G,R,T Series 01.03-</b>				<b>Concrete Mixer</b>					
P 340, R 340 (DC 11.08)		Diesel		10600	250	340	04.04-	■	■
P 380, R380 (DC 11.09)		Diesel		10600	279	380	04.04-	■	■
G 340, P 340, R 340 (DC 12.10)		Diesel		11700	250	340	04.04-	■	■
G 380, P 380, R 380 (DC 12.13)		Diesel		11700	279	380	04.04-	■	■
<b>P,G,R,T Series 01.03-</b>				<b>Dump Truck</b>					
P 340, R 340 (DC 11.08)		Diesel		10600	250	340	04.04-	■	■
P 380, R380 (DC 11.09)		Diesel		10600	279	380	04.04-	■	■
G 340, P 340 (DC 12.10)		Diesel		11700	250	340	04.04-	■	■
G 340, P 340, R 340 (DC 12.10)		Diesel		11700	250	340	04.04-	■	■
G 380, P 380 (DC 12.13)		Diesel		11700	279	380	04.04-	■	■
G 380, P 380, R 380 (DC 12.13)		Diesel		11700	279	380	04.04-	■	■
G 420, P 420, R 420 (DC 12.14)		Diesel		11716	309	420	09.05-	■	■
G 420, P 420, R 420 (DT 12.12)		Diesel		11716	309	420	09.05-	■	■
G 420, R 420 (DT 12.12)		Diesel		11716	309	420	01.08-	■	■
G 480, R 480 (DT 12.17)		Diesel		11716	353	480	01.08-	■	■
G 480, R 480 (DT 12.17)		Diesel		11716	353	480	04.04-	■	■
G 400, P 400, R 400 (DC 13.05)		Diesel		12742	294	400	07.09-	■	■
<b>P,G,R,T Series 01.03-</b>				<b>Platform/Chassis</b>					
G 230, P 230 (DC 9.13)		Diesel		8867	169	230	08.06-	■	■
G 230, P 230 (DC 9.16)		Diesel		8867	169	230	08.06-	■	■

# LISTA DE APLICACIONES - BUYERS GUIDE

P 230, R 230 (DC 9.13)	Diesel	8867	169	230	09.04-	■	■
P 230, R 230 (DC 9.16)	Diesel	8867	169	230	09.04-	■	■
P 230, R 230 (DC 9.16)	Diesel	8867	169	230	08.06-	■	■
G 270, P 270 (DC 9.12)	Diesel	8867	198	270	04.04-	■	■
G 270, P 270 (DC 9.17)	Diesel	8867	198	270	04.04-	■	■
G 270, P 270, R 270 (DC 9.12)	Diesel	8867	198	270	09.04-	■	■
G 270, P 270, R 270 (DC 9.17)	Diesel	8867	198	270	09.04-	■	■
P 270, R 270 (DC 9.17)	Diesel	8867	198	270	08.06-	■	■
G 310, P 310 (DC 9.11)	Diesel	8867	228	310	09.04-	■	■
G 310, P 310 (DC 9.18)	Diesel	8867	228	310	09.04-	■	■
G 310, P 310 (DC 9.11)	Diesel	8867	228	310	09.04-	■	■
G 310, P 310 (DC 9.18)	Diesel	8867	228	310	09.04-	■	■
P 310, R 310 (DC 9.11)	Diesel	8867	228	310	09.04-	■	■
P 310, R 310 (DC 9.18)	Diesel	8867	228	310	09.04-	■	■
P 310, R 310 (DC 9.18)	Diesel	8867	228	310	09.04-	■	■
G 230, P 230 (DC 9.30)	Diesel	9291	169	230	09.07-	■	■
G 230, P 230 (DC 9.35)	Diesel	9291	169	230	09.07-	■	■
G 230, P 230 (DC 9.39)	Diesel	9291	169	230	09.07-	■	■
G 230, P 230 (DC 9.30)	Diesel	9291	169	230	09.07-	■	■
G 230, P 230 (DC 9.35)	Diesel	9291	169	230	09.07-	■	■
G 230, P 230 (DC 9.30)	Diesel	9291	169	230	09.07-	■	■
G 230, P 230 (DC 9.35)	Diesel	9291	169	230	09.07-	■	■
G 340, P 340, R 340 (DC 11.08)	Diesel	10600	250	340	04.04-	■	■
P 340, R 340 (DC 11.08)	Diesel	10600	250	340	04.04-	■	■
P 340, R 340 (DC 11.08)	Diesel	10600	250	340	04.04-	■	■
P 380, R380 (DC 11.09)	Diesel	10600	279	380	04.04-	■	■
P 380, R380 (DC 11.09)	Diesel	10600	279	380	04.04-	■	■
P 380, R380 (DC 11.09)	Diesel	10600	279	380	04.04-	■	■
P 380, R380 (DC 11.09)	Diesel	10600	279	380	04.04-	■	■
P 380, R380 (DC 11.09)	Diesel	10600	279	380	04.04-	■	■
P 380, R380 (DC 11.09)	Diesel	10600	279	379	04.04-	■	■
P 380, R380 (DC 11.09)	Diesel	10600	279	380	04.04-	■	■
G 340, P 340 (DC 12.10)	Diesel	11700	250	340	08.04-	■	■
G 340, P 340 (DC 12.10)	Diesel	11700	250	340	04.04-	■	■
G 340, P 340, R 340 (DC 12.10)	Diesel	11700	250	340	04.04-	■	■
G 340, P 340, R 340 (DC 12.10)	Diesel	11700	250	340	04.04-	■	■
P 340, R 340 (DC 12.10)	Diesel	11700	250	340	04.04-	■	■
P 340, R 340 (DC 12.10)	Diesel	11700	250	340	04.04-	■	■
G 380, P 380 (DC 12.13)	Diesel	11700	279	380	04.04-	■	■
G 380, P 380, R 380 (DC 12.13)	Diesel	11700	279	380	08.04-	■	■
P 380, R380 (DC 12.13)	Diesel	11700	279	380	04.04-	■	■
G 380, P 380, R 380 (DC 12.13)	Diesel	11700	280	380	09.05-	■	■
G 380, P 380, R 380 (DC 12.13)	Diesel	11700	280	380	04.04-	■	■
P 380, R380 (DC 12.13)	Diesel	11700	280	380	09.05-	■	■
P 380, R380 (DC 12.13)	Diesel	11700	280	380	09.05-	■	■
P 380, R380 (DC 12.18)	Diesel	11716	279	379	04.04-	■	■
G 420, P 420, R 420 (DC 12.14)	Diesel	11716	309	420	09.04-	■	■
G 420, P 420, R 420 (DC 12.15)	Diesel	11716	309	420	09.04-	■	■
G 420, P 420, R 420 (DT 12.12)	Diesel	11716	309	420	09.04-	■	■
G 420, P 420, R 420 (DC 12.14)	Diesel	11716	309	420	03.04-	■	■
G 420, P 420, R 420 (DC 12.15)	Diesel	11716	309	420	03.04-	■	■

# LISTA DE APLICACIONES - BUYERS GUIDE

G 420, P 420, R 420 (DT 12.12)	Diesel		11716	309	420	03.04-	■	■
G 420, R 420 (DT 12.12)	Diesel		11716	309	420	01.08-	■	■
P 420, R 420 (DT 12.12)	Diesel		11716	309	420	09.05-	■	■
P 420, R 420 (DT 12.14)	Diesel		11716	309	420	09.05-	■	■
G 470, R 470 (DT 12.03)	Diesel		11716	345	470	03.04-	■	■
G 470, R 470 (DT 12.06)	Diesel		11716	345	470	03.04-	■	■
R470 (DT 12.03)	Diesel		11716	345	469	03.04-	■	■
R470 (DT 12.06)	Diesel		11716	345	469	03.04-	■	■
G 480, R 480 (DT 12.17)	Diesel		11716	353	480	01.08-	■	■
R480 (DT 12.17)	Diesel		11716	353	480	04.04-	■	■
G 360, P 360, R 360 (DC 13.06)	Diesel		12742	265	360	04.10-	■	■
G 360, P 360, R 360 (DC 13.06)	Diesel		12742	265	360	04.10-	■	■
P 360, R 360 (DC 13.06)	Diesel		12742	265	360	04.10-	■	■
P 360, R 360 (DC 13.06)	Diesel		12742	265	360	04.10-	■	■
P 360, R 360 (DC 13.06)	Diesel		12742	265	360	04.10-	■	■
G 400, P 400, R 400 (DC 13.05)	Diesel		12742	294	400	04.10-	■	■
G 400, R 400 (DC 13.05)	Diesel		12742	294	400	03.08-	■	■
P 400, R 400 (DC 13.05)	Diesel		12742	294	400	04.10-	■	■
P 400, R 400 (DC 13.05)	Diesel		12742	294	400	04.10-	■	■
P 400, R 400 (DC 13.05)	Diesel		12742	294	400	04.10-	■	■
G 440, R 440 (DC 13.10)	Diesel		12742	324	441	01.10-	■	■
P 440, R 440 (DC 13.10)	Diesel		12742	324	440	04.10-	■	■
P 480, R 480 (DC 13.07)	Diesel		12742	353	480	04.10-	■	■
<b>P,G,R,T Series 01.03-</b>							<b>Truck Tractor</b>	
P 230, R 230 (DC 9.13)	Diesel		8867	169	230	09.04-	■	■
P 230, R 230 (DC 9.16)	Diesel		8867	169	230	09.04-	■	■
P 230, R 230 (DC 9.16)	Diesel		8867	169	230	09.05-	■	■
P 230, R 230 (DC 9.16)	Diesel		8867	169	230	09.05-	■	■
P 270, R 270 (DC 9.12)	Diesel		8867	198	270	09.04-	■	■
P 270, R 270 (DC 9.17)	Diesel		8867	198	270	09.04-	■	■
P 270, R 270 (DC 9.17)	Diesel		8867	198	269	04.04-	■	■
P 270, R 270 (DC 9.17)	Diesel		8867	198	269	04.04-	■	■
P 310, R 310 (DC 9.11)	Diesel		8867	228	310	09.04-	■	■
P 310, R 310 (DC 9.18)	Diesel		8867	228	310	09.04-	■	■
P 310, R 310 (DC 9.18)	Diesel		8867	228	310	04.04-	■	■
P 310, R 310 (DC 9.18)	Diesel		8867	228	310	04.04-	■	■
G 230, P 230 (DC 9.30)	Diesel		9291	169	230	09.07-	■	■
G 230, P 230 (DC 9.35)	Diesel		9291	169	230	09.07-	■	■
G 230, P 230 (DC 9.30)	Diesel		9291	169	230	09.07-	■	■
G 230, P 230 (DC 9.35)	Diesel		9291	169	230	09.07-	■	■
G 230, P 230 (DC 9.30)	Diesel		9291	169	230	09.07-	■	■
G 230, P 230 (DC 9.35)	Diesel		9291	169	230	09.07-	■	■
G 340, P 340, R 340 (DC 11.08)	Diesel		10600	250	340	09.04-	■	■
P 340, R 340 (DC 11.08)	Diesel		10600	250	340	09.04-	■	■
P 380, R380 (DC 11.09)	Diesel		10600	279	380	09.04-	■	■
P 380, R380 (DC 11.09)	Diesel		10600	279	380	09.04-	■	■
G 340, R 340 (DC 12.10)	Diesel		11700	250	340	08.06-	■	■
P 340, R 340 (DC 12.10)	Diesel		11700	250	340	08.06-	■	■
P 340, R 340 (DC 12.10)	Diesel		11700	250	340	10.06-	■	■
P 340, R 340 (DC 12.10)	Diesel		11700	250	340	04.04-	■	■
G 380, P 380 (DC 12.13)	Diesel		11700	279	380	04.04-	■	■

## LISTA DE APLICACIONES - BUYERS GUIDE

G 380, P 380, R 380 (DC 12.13)	Diesel	11700	279	380	04.04-	■	■
G 380, P 380, R 380 (DC 12.13)	Diesel	11700	280	380	04.04-	■	■
P 380, R380 (DC 12.13)	Diesel	11700	280	380	10.06-	■	■
P 380, R380 (DC 12.13)	Diesel	11700	280	380	10.06-	■	■
P 380, R380 (DC 12.18)	Diesel	11705	279	379	04.04-	■	■
G 380, P 380, R 380 (DC 12.17)	Diesel	11716	279	379	03.08-	■	■
G 380, P 380, R 380 (DC 12.18)	Diesel	11716	279	379	03.08-	■	■
P 380, R380 (DC 12.18)	Diesel	11716	279	380	04.04-	■	■
G 420, P 420, R 420 (DC 12.14)	Diesel	11716	309	420	03.04-	■	■
G 420, P 420, R 420 (DC 12.15)	Diesel	11716	309	420	03.04-	■	■
G 420, P 420, R 420 (DT 12.11)	Diesel	11716	309	420	03.04-	■	■
G 420, P 420, R 420 (DT 12.12)	Diesel	11716	309	420	03.04-	■	■
G 420, R 420 (DT 12.12)	Diesel	11716	309	420	01.08-	■	■
P 420, R 420 (DC 12.14)	Diesel	11716	309	420	08.06-	■	■
P 420, R 420 (DT 12.12)	Diesel	11716	309	420	08.06-	■	■
P 420, R 420 (DC 12.14)	Diesel	11716	309	420	03.04-	■	■
P 420, R 420 (DC 12.15)	Diesel	11716	309	420	03.04-	■	■
P 420, R 420 (DT 12.12)	Diesel	11716	309	420	03.04-	■	■
P 420, R 420 (DC 12.14)	Diesel	11716	309	420	04.04-	■	■
P 420, R 420 (DC 12.15)	Diesel	11716	309	420	04.04-	■	■
P 420, R 420 (DT 12.12)	Diesel	11716	309	420	04.04-	■	■
P 420, R 420 (DC 12.14)	Diesel	11716	309	420	03.04-	■	■
P 420, R 420 (DC 12.15)	Diesel	11716	309	420	03.04-	■	■
P 420, R 420 (DT 12.11)	Diesel	11716	309	420	03.04-	■	■
P 420, R 420 (DC 12.14)	Diesel	11716	309	420	03.04-	■	■
P 420, R 420 (DC 12.15)	Diesel	11716	309	420	03.04-	■	■
P 420, R 420 (DT 12.12)	Diesel	11716	309	420	03.04-	■	■
G 470, P 470, R 470 (DT 12.06)	Diesel	11716	345	470	09.05-	■	■
P 470, R 470 (DT 12.03)	Diesel	11716	345	470	03.04-	■	■
P 470, R 470 (DT 12.06)	Diesel	11716	345	470	03.04-	■	■
G 480, R 480 (DT 12.17)	Diesel	11716	353	480	03.08-	■	■
G 480, R 480 (DT 12.17)	Diesel	11716	353	480	08.06-	■	■
G 480, R 480 (DT 12.17)	Diesel	11716	353	480	01.08-	■	■
P 480, R 480 (DT 12.17)	Diesel	11716	353	480	04.04-	■	■
P 480, R 480 (DT 12.17)	Diesel	11716	353	480	04.04-	■	■
G 360, P 360, R 360 (DC 13.06)	Diesel	12742	265	360	04.10-	■	■
P 360, R 360 (DC 13.06)	Diesel	12742	265	360	04.10-	■	■
G 400, P 400, R 400 (DC 13.05)	Diesel	12742	294	400	03.08-	■	■
G 400, P 400, R 400 (DC 13.05)	Diesel	12742	294	400	04.10-	■	■
G 400, R 400 (DC 13.05)	Diesel	12742	294	400	03.09-	■	■
G 440, R 440 (DC 13.10)	Diesel	12742	324	441	03.08-	■	■
G 440, R 440 (DC 13.10)	Diesel	12742	324	441	04.10-	■	■
G 480, R 480 (DC 13.07)	Diesel	12742	353	480	03.08-	■	■
G 480, R 480, P 480 (DC 13.07)	Diesel	12742	353	480	04.10-	■	■
P 500, R 500 (DC 16.04)	Diesel	15600	368	500	04.04-	■	■
P 500, R 500 (DC 16.06)	Diesel	15600	368	500	04.04-	■	■
P 500, R 500 (DC 16.09)	Diesel	15600	368	500	04.04-	■	■
P 500, R 500 (DC 16.19)	Diesel	15600	368	500	04.04-	■	■
P 500, R 500 (DC 16.04)	Diesel	15600	368	500	04.04-	■	■
P 500, R 500 (DC 16.06)	Diesel	15600	368	500	04.04-	■	■
P 500, R 500 (DC 16.09)	Diesel	15600	368	500	04.04-	■	■

# LISTA DE APLICACIONES - BUYERS GUIDE

P 500, R 500 (DC 16.06)		Diesel		15600	368	500	03.04-	■	■
P 500, R 500 (DC 16.09)		Diesel		15600	368	500	03.04-	■	■
P 560, R 560 (DC 16.05)		Diesel		15600	412	560	04.04-	■	■
P 560, R 560 (DC 16.05)		Diesel		15600	412	560	11.06-	■	■
P 560, R 560 (DC 16.18)		Diesel		15600	412	560	11.06-	■	■
P 560, R 560 (DC 16.05)		Diesel		15600	412	560	11.06-	■	■
P 580, R 580 (DC 16.03)		Diesel		15600	426	580	04.04-	■	■
P 620, R 620 (DC 16.08)		Diesel		15600	456	620	08.06-	■	■
P 620, R 620 (DC 16.08)		Diesel		15600	456	620	11.06-	■	■
P 620, R 620 (DC 16.17)		Diesel		15600	456	620	11.06-	■	■
P 620, R 620 (DC 16.08)		Diesel		15600	456	620	11.06-	■	■
<b>SCHMITZ CARGOBULL</b>									
<b>RODOS 06.06-</b>							<b>Trailer Axle</b>		
RODOS							06.06-	■	
RODOS							06.06-	■	
RODOS							06.06-	■	
<b>SETRA</b>									
<b>300 Series 09.91-02.02</b>							<b>Bus</b>		
S313UL, S315H, S315UL, S315NF		Diesel		11967	220	299	09.91-02.02	■	
S321UL		Diesel		11967	220	299	09.91-02.02	■	
S319NF, S319UL		Diesel		11967	257	350	09.91-02.02	■	
S315GT, S315GT-HD, S315HD, S315HDH (OM 446.930)		Diesel		14618	280	381	09.91-02.02	■	
S315GT, S315GT-HD, S315HD, S315HDH (OM 446.931)		Diesel		14618	280	381	09.91-02.02	■	
S317GT-HD, S317HD, S317HDH, S319GT-HD (OM 442.980)		Diesel		14618	320	435	09.91-02.02	■	
S328DT		Diesel		14618	385	524	09.91-02.02	■	
<b>400 Series 06.01-</b>							<b>Bus</b>		
MultiClass S 415 NF (OM 902.926)		Diesel		6374	210	286	01.05-	■	
MultiClass S 415 NF (OM 902.934)		Diesel		6374	210	286	01.05-	■	
MultiClass S 416 NF (OM 902.926)		Diesel		6374	210	286	01.05-	■	
MultiClass S 416 NF (OM 902.934)		Diesel		6374	210	286	01.05-	■	
TopClass S 411 HD (OM 541.950)		Diesel		11946	260	354	10.01-	■	■
TopClass S 411 HD (OM 541.950)		Diesel		11946	300	408	10.01-	■	■
ComfortClass S 415 GT (OM 457.941)		Diesel		11967	185	252	10.03-	■	■
ComfortClass S 415 GT (OM 457.941)		Diesel		11967	220	299	10.03-	■	■
ComfortClass S 415 GT (OM 457.952)		Diesel		11967	220	299	10.03-	■	■
ComfortClass S 415 GT (OM 457.965)		Diesel		11967	220	299	10.03-	■	■
MultiClass S 412 UL (OM 457.952)		Diesel		11967	220	299	01.05-	■	■
MultiClass S 412 UL (OM 457.964)		Diesel		11967	220	299	01.05-	■	■
MultiClass S 412 UL (OM 457.965)		Diesel		11967	220	299	01.05-	■	■
MultiClass S 415 H (OM 457.964)		Diesel		11967	220	299	01.05-	■	■
MultiClass S 415 NF (OM 457.950)		Diesel		11967	220	299	01.05-	■	■
MultiClass S 415 NF (OM 457.959)		Diesel		11967	220	299	01.05-	■	■
MultiClass S 415 NF (OM 457.973)		Diesel		11967	220	299	01.05-	■	■
MultiClass S 415 UL (OM 457.952)		Diesel		11967	220	299	01.05-	■	■
MultiClass S 415 UL (OM 457.964)		Diesel		11967	220	299	01.05-	■	■
MultiClass S 415 UL (OM 457.965)		Diesel		11967	220	299	01.05-	■	■
MultiClass S 416 H (OM 457.964)		Diesel		11967	220	299	01.05-	■	■
MultiClass S 416 NF (OM 457.950)		Diesel		11967	220	299	01.05-	■	■
MultiClass S 416 NF (OM 457.959)		Diesel		11967	220	299	01.05-	■	■

# LISTA DE APLICACIONES - BUYERS GUIDE

MultiClass S 416 NF (OM 457.973)		Diesel		11967	220	299	01.05-	■	■
MultiClass S 416 UL (OM 457.952)		Diesel		11967	220	299	01.05-	■	■
MultiClass S 416 UL (OM 457.964)		Diesel		11967	220	299	01.05-	■	■
MultiClass S 416 UL (OM 457.965)		Diesel		11967	220	299	01.05-	■	■
MultiClass S 417 UL (OM 457.952)		Diesel		11967	220	299	01.05-	■	■
MultiClass S 417 UL (OM 457.964)		Diesel		11967	220	299	01.05-	■	■
MultiClass S 417 UL (OM 457.965)		Diesel		11967	220	299	01.05-	■	■
MultiClass S 419 UL (OM 457.952)		Diesel		11967	220	299	01.05-	■	■
MultiClass S 419 UL (OM 457.964)		Diesel		11967	220	299	01.05-	■	■
MultiClass S 419 UL (OM 457.965)		Diesel		11967	220	299	01.05-	■	■
ComfortClass S 415 GT (OM 457.941)		Diesel		11967	260	354	10.03-	■	■
ComfortClass S 415 GT (OM 457.944)		Diesel		11967	260	354	10.03-	■	■
ComfortClass S 415 GT (OM 457.952)		Diesel		11967	260	354	10.03-	■	■
ComfortClass S 415 GT (OM 457.953)		Diesel		11967	260	354	10.03-	■	■
ComfortClass S 415 GT (OM 457.961)		Diesel		11967	260	354	10.03-	■	■
ComfortClass S 415 GT (OM 457.965)		Diesel		11967	260	354	10.03-	■	■
ComfortClass S 416 GT-HD (OM 457.953)		Diesel		11967	260	354	10.03-	■	■
ComfortClass S 416 GT-HD (OM 457.961)		Diesel		11967	260	354	10.03-	■	■
ComfortClass S 417 GT-HD (OM 457.944)		Diesel		11967	260	354	10.03-	■	■
ComfortClass S 417 GT-HD (OM 457.953)		Diesel		11967	260	354	10.03-	■	■
ComfortClass S 417 GT-HD (OM 457.961)		Diesel		11967	260	354	10.03-	■	■
MultiClass S 412 UL (OM 457.952)		Diesel		11967	260	354	01.05-	■	■
MultiClass S 412 UL (OM 457.964)		Diesel		11967	260	354	01.05-	■	■
MultiClass S 412 UL (OM 457.965)		Diesel		11967	260	354	01.05-	■	■
MultiClass S 415 H (OM 457.964)		Diesel		11967	260	354	01.05-	■	■
MultiClass S 415 NF (OM 457.950)		Diesel		11967	260	354	01.05-	■	■
MultiClass S 415 NF (OM 457.959)		Diesel		11967	260	354	01.05-	■	■
MultiClass S 415 NF (OM 457.973)		Diesel		11967	260	354	01.05-	■	■
MultiClass S 415 UL (OM 457.952)		Diesel		11967	260	354	01.05-	■	■
MultiClass S 415 UL (OM 457.964)		Diesel		11967	260	354	01.05-	■	■
MultiClass S 415 UL (OM 457.965)		Diesel		11967	260	354	01.05-	■	■
MultiClass S 416 H (OM 457.964)		Diesel		11967	260	354	01.05-	■	■
MultiClass S 416 NF (OM 457.950)		Diesel		11967	260	354	01.05-	■	■
MultiClass S 416 NF (OM 457.959)		Diesel		11967	260	354	01.05-	■	■
MultiClass S 416 NF (OM 457.973)		Diesel		11967	260	354	01.05-	■	■
MultiClass S 416 UL (OM 457.952)		Diesel		11967	260	354	01.05-	■	■
MultiClass S 416 UL (OM 457.964)		Diesel		11967	260	354	01.05-	■	■
MultiClass S 416 UL (OM 457.965)		Diesel		11967	260	354	01.05-	■	■
MultiClass S 417 UL (OM 457.964)		Diesel		11967	260	354	01.05-	■	■
MultiClass S 419 UL (OM 457.952)		Diesel		11967	260	354	01.05-	■	■
MultiClass S 419 UL (OM 457.964)		Diesel		11967	260	354	01.05-	■	■
MultiClass S 419 UL (OM 457.965)		Diesel		11967	260	354	01.05-	■	■
TopClass S 415 HD (OM 457.944)		Diesel		11967	260	354	10.01-	■	■
TopClass S 415 HD (OM 457.953)		Diesel		11967	260	354	10.01-	■	■
TopClass S 415 HD (OM 457.961)		Diesel		11967	260	354	10.01-	■	■
TopClass S 415 HDH (OM 457.944)		Diesel		11967	260	354	10.01-	■	■
TopClass S 415 HDH (OM 457.953)		Diesel		11967	260	354	10.01-	■	■
TopClass S 415 HDH (OM 457.961)		Diesel		11967	260	354	10.01-	■	■
TopClass S 416 HDH (OM 457.944)		Diesel		11967	260	354	01.03-	■	■
TopClass S 416 HDH (OM 457.952)		Diesel		11967	260	354	01.03-	■	■
TopClass S 416 HDH (OM 457.953)		Diesel		11967	260	354	01.03-	■	■

# LISTA DE APLICACIONES - BUYERS GUIDE

TopClass S 416 HDH (OM 457.961)	Diesel	11967	260	354	01.03-	■	■
TopClass S 417 HDH (OM 457.944)	Diesel	11967	260	354	10.03-	■	■
TopClass S 417 HDH (OM 457.953)	Diesel	11967	260	354	10.03-	■	■
TopClass S 417 HDH (OM 457.961)	Diesel	11967	260	354	10.03-	■	■
ComfortClass S 415 GT (OM 457.941)	Diesel	11967	300	408	10.03-	■	■
ComfortClass S 415 GT (OM 457.944)	Diesel	11967	300	408	10.03-	■	■
ComfortClass S 415 GT (OM 457.952)	Diesel	11967	300	408	10.03-	■	■
ComfortClass S 415 GT (OM 457.965)	Diesel	11967	300	408	10.03-	■	■
ComfortClass S 416 GT (OM 457.952)	Diesel	11967	300	408	10.03-	■	■
ComfortClass S 416 GT (OM 457.965)	Diesel	11967	300	408	10.03-	■	■
MultiClass S 412 UL (OM 457.952)	Diesel	11967	300	408	01.05-	■	■
MultiClass S 412 UL (OM 457.965)	Diesel	11967	300	408	01.05-	■	■
MultiClass S 415 UL (OM 457.952)	Diesel	11967	300	408	01.05-	■	■
MultiClass S 415 UL (OM 457.965)	Diesel	11967	300	408	01.05-	■	■
MultiClass S 416 H (OM 457.965)	Diesel	11967	300	408	01.05-	■	■
MultiClass S 416 UL (OM 457.952)	Diesel	11967	300	408	01.05-	■	■
MultiClass S 416 UL (OM 457.965)	Diesel	11967	300	408	01.05-	■	■
MultiClass S 417 UL (OM 457.952)	Diesel	11967	300	408	01.05-	■	■
MultiClass S 417 UL (OM 457.965)	Diesel	11967	300	408	01.05-	■	■
MultiClass S 419 UL (OM 457.952)	Diesel	11967	300	408	01.05-	■	■
MultiClass S 419 UL (OM 457.957)	Diesel	11967	300	408	01.05-	■	■
MultiClass S 419 UL (OM 457.965)	Diesel	11967	300	408	01.05-	■	■
TopClass S 415 HD (OM 457.944)	Diesel	11967	310	422	10.01-	■	■
TopClass S 415 HD (OM 457.953)	Diesel	11967	310	422	10.01-	■	■
TopClass S 415 HD (OM 457.961)	Diesel	11967	310	422	10.01-	■	■
TopClass S 415 HDH (OM 457.944)	Diesel	11967	310	422	10.01-	■	■
TopClass S 415 HDH (OM 457.953)	Diesel	11967	310	422	10.01-	■	■
TopClass S 416 HDH (OM 457.944)	Diesel	11967	310	422	10.02-	■	■
TopClass S 416 HDH (OM 457.953)	Diesel	11967	310	422	10.02-	■	■
ComfortClass S 415 GT-HD (OM 457.953)	Diesel	11967	315	428	10.03-	■	■
ComfortClass S 415 GT-HD (OM 457.961)	Diesel	11967	315	428	10.03-	■	■
ComfortClass S 417 GT-HD (OM 457.944)	Diesel	11967	315	422	10.03-	■	■
ComfortClass S 417 GT-HD (OM 457.953)	Diesel	11967	315	422	10.03-	■	■
ComfortClass S 417 GT-HD (OM 457.961)	Diesel	11967	315	422	10.03-	■	■
ComfortClass S 415 GT-HD (OM 457.961)	Diesel	11967	335	456	10.03-	■	■
ComfortClass S 416 GT-HD (OM 457.961)	Diesel	11967	335	456	10.03-	■	■
ComfortClass S 416 GT-HD (OM 457.961)	Diesel	11967	335	456	10.03-	■	■
ComfortClass S 417 GT-HD (OM 457.961)	Diesel	11967	335	456	10.03-	■	■
TopClass S 415 HDH (OM 457.961)	Diesel	11967	335	456	10.01-	■	■
TopClass S 416 HDH (OM 457.961)	Diesel	11967	335	483	01.03-	■	■
TopClass S 417 HDH (OM 457.961)	Diesel	11967	335	483	10.03-	■	■
TopClass S 416 HDH, TopClass S 417 HDH	Diesel	11967	370	503	10.02-	■	■
S 417 GT-HD	Diesel	11995	260	354	06.01-	■	■
S 417 GT-HD	Diesel	11995	310	422	06.01-	■	■
ComfortClass S 416 GT-HD (OM 542.948)	Diesel	15928	320	435	10.03-	■	■
ComfortClass S 417 GT-HD (OM 542.948)	Diesel	15928	320	435	10.03-	■	■
TopClass S 415 HD (OM 542.948)	Diesel	15928	320	435	10.01-	■	■
TopClass S 415 HDH (OM 542.948)	Diesel	15928	320	435	10.01-	■	■
TopClass S 416 HDH (OM 542.948)	Diesel	15928	320	435	10.02-	■	■
TopClass S 431 DT (OM 542.948)	Diesel	15928	320	435	10.02-	■	■
ComfortClass S 416 GT-HD (OM 542.948)	Diesel	15928	350	476	10.03-	■	■

## LISTA DE APLICACIONES - BUYERS GUIDE

ComfortClass S 417 GT-HD (OM 542.948)	Diesel		15928	350	476	10.03-	■	■
ComfortClass S 417 GT-HD (OM 542.966)	Diesel		15928	350	476	10.03-	■	■
ComfortClass S 419 GT-HD (OM 542.966)	Diesel		15928	350	476	10.03-	■	■
TopClass S 415 HDH (OM 542.966)	Diesel		15928	350	476	10.01-	■	
TopClass S 416 HDH (OM 542.966)	Diesel		15928	350	476	10.01-	■	
TopClass S 431 DT (OM 542.966)	Diesel		15928	350	476	10.02-	■	
ComfortClass S 416 GT-HD (OM 542.948)	Diesel		15928	370	503	10.03-	■	■
ComfortClass S 416 GT-HD (OM 542.966)	Diesel		15928	370	503	10.03-	■	■
ComfortClass S 417 GT-HD (OM 542.948)	Diesel		15928	370	503	10.03-	■	■
ComfortClass S 417 GT-HD (OM 542.966)	Diesel		15928	370	503	10.03-	■	■
ComfortClass S 419 GT-HD (OM 542.966)	Diesel		15928	370	503	10.03-	■	
TopClass S 415 HD (OM 542.948)	Diesel		15928	370	503	10.01-	■	
TopClass S 415 HDH (OM 542.948)	Diesel		15928	370	503	10.01-	■	■
TopClass S 415 HDH (OM 542.966)	Diesel		15928	370	503	10.01-	■	■
TopClass S 416 HDH (OM 542.948)	Diesel		15928	370	503	10.02-	■	
TopClass S 416 HDH (OM 542.966)	Diesel		15928	370	503	10.02-	■	
TopClass S 417 HDH (OM 542.948)	Diesel		15928	370	503	10.02-	■	
TopClass S 417 HDH (OM 542.966)	Diesel		15928	370	503	10.02-	■	
TopClass S 431 DT (OM 542.948)	Diesel		15928	370	503	10.02-	■	■
TopClass S 431 DT (OM 542.966)	Diesel		15928	370	503	10.02-	■	■
<b>SMB</b>								
<b>O 01.92-</b>						<b>Trailer Axle</b>		
O-A2020 D1-09						04.92-		■
O-A2040 D1-09						04.92-		■
O-A2095 D1-09						04.92-		■
O-A2130 D1-09						04.92-		■
<b>SOLARIS</b>								
<b>10.98-09.06</b>						<b>Bus</b>		
Urbino 9 (D 0824 LOH 05)	Diesel		4580	114	155	10.98-09.06	■	■
Urbino 10 (ISBE4 250B)	Diesel		6690	187	250	06.02-09.06	■	■
Urbino 12 (ISBE4 250B)	Diesel		6690	187	250	06.02-09.06	■	■
Urbino 12 (D 0826 LOH 17)	Diesel		6871	162	220	10.98-09.06	■	■
Urbino 12 (D 0826 LOH 18)	Diesel		6871	191	260	10.98-09.06	■	■
Urbino 15 (D 0826 LOH 18)	Diesel		6871	191	260	10.98-09.06	■	■
Urbino 12 (PF 183 M)	Diesel		9186	183	249	10.98-09.06	■	■
Urbino 12 (PR 183 S)	Diesel		9186	183	249	10.98-09.06	■	■
Urbino 15 (PF 212 M)	Diesel		9186	191	260	10.98-09.06	■	■
Urbino 18 (PF 235 M)	Diesel		9186	235	320	10.98-09.06	■	■
Urbino 18 (D 2866 LOH 25)	Diesel		11967	228	310	06.99-09.06	■	■
Urbino 18 (D 2866 LOH 26)	Diesel		11967	257	350	06.99-09.06	■	■
<b>ALPINO 01.07-</b>						<b>Bus</b>		
Alpino (ISBE4 250B)	Diesel		6690	184	250	01.07-	■	■
<b>URBINO 10.06-</b>						<b>Bus</b>		
Urbino 18 (ISLE4 340)	Diesel		8849	250	340	10.06-12.18	■	■
Urbino 18 (PR 228 S)	Diesel		9186	228	310	10.06-12.18	■	■
Urbino 12 (PR 265 S)	Diesel		9186	265	360	10.06-12.18	■	■
Urbino 18 (PR 265 S)	Diesel		9186	265	360	10.06-12.18	■	■
<b>VACANZA 06.02-</b>						<b>Bus</b>		
Vacanza 12 (XE 250 C)	Diesel		12580	250	340	06.02-12.06	■	■

# LISTA DE APLICACIONES - BUYERS GUIDE

Vacanza 12 (XE 280 C)		Diesel		12580	280	381	06.02-12.06	■	■
Vacanza 12 (XE 315 C)		Diesel		12580	315	428	10.03-12.06	■	■
Vacanza 13 (XE 315 C)		Diesel		12580	315	428	10.03-12.06	■	■
Vacanza 12 (MX 300)		Diesel		12903	300	408	10.05-	■	■
Vacanza 13 (MX 300)		Diesel		12903	300	408	10.05-	■	■

## TRENKAMP&GEHLE GMBH (GIGANT)

<b>Protec</b>							<b>Trailer Axle</b>		
DKH1 09010 4345							04.01-		■
DKH1 12010 4345							04.03-		■
DNK1 12010 4345							01.04-		■
DNKH1 09010 4345							05.02-		■
DOKH1 09010 4345							04.01-		■

## YORK

<b>2790</b>							<b>Trailer Axle</b>		
2790/3							01.53-		■
<b>2990</b>							<b>Trailer Axle</b>		
2990/2							01.53-		■
2990/7							01.53-		■
<b>SS</b>							<b>Trailer Axle</b>		
SS2091							01.53-		■