

LISTA DE APLICACIONES - BUYERS GUIDE

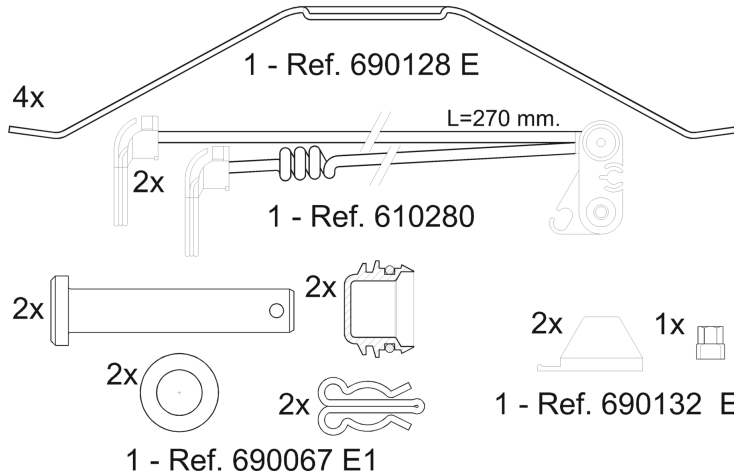
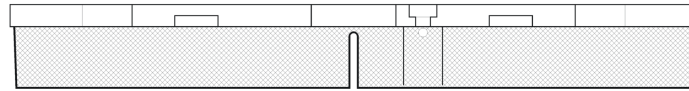
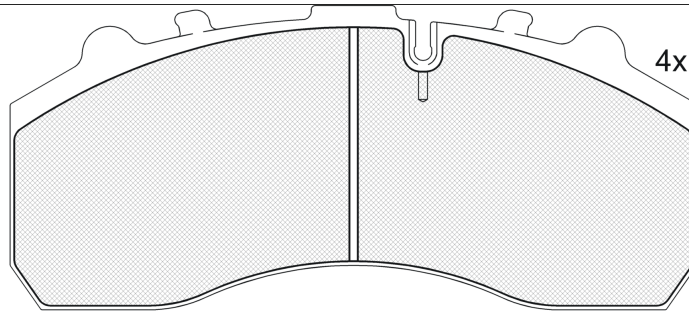
151194-118



Qty: 660

Weight: 11.160

O.E.M.	MAKE
1 390 428	SCANIA
1 521 979	SCANIA
1 527 633	SCANIA
1 734 529	SCANIA
1 856 108	SCANIA



151194-118



90R-01178/637

Knorr SB7000

247.5x109.6x30

WVA	FMSI
29087	D1203-8323
29105	
29106	
29108	
29109	
MAKE	
SCANIA	



Trac.	CC	Kw	CV
-------	----	----	----



Front / Rear

SCANIA

06.04-05.19							Dump Truck		
P230 (DC 9.13)		Diesel		8867	169	230	01.08-05.19	■	■
P230 (DC 9.16)		Diesel		8867	169	230	01.08-05.19	■	■
P270 (DC 9.12)	01/06-	Diesel		8867	198	270	04.04-05.19	■	■
P270 (DC 9.17)	01/06-	Diesel		8867	198	270	04.04-05.19	■	■
P270 (DC 9.17)		Diesel		8867	198	269	08.06-05.19	■	■
P310 (DC 9.18)		Diesel		8867	228	310	01.08-05.19	■	■
P310 (DC 9.18)		Diesel		8867	228	310	08.06-05.19	■	■
P340 (DC 11.08)		Diesel		10640	250	340	04.04-05.19	■	■
P380 (DC 11.09)		Diesel		10640	279	379	04.04-05.19	■	■
P340 (DC 12.10)		Diesel		11705	250	340	10.06-05.19	■	■
P380 (DC 12.13)		Diesel		11705	280	380	10.06-05.19	■	■
G470 (DT 12.06)		Diesel		11705	345	470	01.10-05.19	■	■
G470 (DT 12.06)		Diesel		11705	345	470	01.10-05.19	■	■
P360 (DC 13.06)		Diesel		12742	265	360	07.09-05.19	■	■
R480		Diesel		12742	353	480	10.10-05.19	■	■
P550 (DC 13.119)		Diesel		12742	404	549	01.12-05.19	■	■
R500 (DC 16.04)		Diesel		15607	368	500	01.08-05.19	■	■
R500 (DC 16.04)		Diesel		15607	368	500	01.08-05.19	■	■
R620 (DC 16.17)		Diesel		15607	456	620	11.06-05.19	■	■
R620 (DC 16.17)		Diesel		15607	456	620	11.06-05.19	■	■
R520		Diesel		16353	382	520	07.13-05.19	■	■
R580 (DC 16.102)		Diesel		16353	426	579	09.13-05.19	■	■
R580 (DC 16.102)		Diesel		16353	426	579	09.13-05.19	■	■

LISTA DE APLICACIONES - BUYERS GUIDE

R580 (DC 16.102)		Diesel		16353	426	579	09.13-05.19	■	■	
R580 (DC 16.102)		Diesel		16353	426	579	01.14-05.19	■	■	
R730 (DC 16.21)		Diesel		16353	537	730	10.10-05.19	■	■	
R730		Diesel		16353	537	730	04.10-05.19	■	■	
06.04-05.19							Municipal Vehicle			
P230 (DC 9.13)		Diesel		8867	169	230	09.07-05.19	■	■	
P230 (DC 9.16)		Diesel		8867	169	230	09.07-05.19	■	■	
P270 (DC 9.12)	01/06-	Diesel		8867	198	269	04.04-05.19	■	■	
P270 (DC 9.17)	01/06-	Diesel		8867	198	269	04.04-05.19	■	■	
P270 (DC 9.12)	01/06-	Diesel		8867	198	269	04.04-05.19	■	■	
P270 (DC 9.17)	01/06-	Diesel		8867	198	269	04.04-05.19	■	■	
P270 (DC 9.17)	01/06-	Diesel		8867	199	269	04.04-05.19	■	■	
P310 (DC 9.11)	01/06-	Diesel		8867	228	310	09.04-05.19	■	■	
P310 (DC 9.18)	01/06-	Diesel		8867	228	310	09.04-05.19	■	■	
P310 (DC 9.18)	01/06-	Diesel		8867	228	310	09.04-05.19	■	■	
P310 (DC 9.18)	01/06-	Diesel		8867	228	310	04.04-05.19	■	■	
06.04-10.05							Platform/Chassis			
G230 (DC 9.16)		Diesel		8867	169	230	09.07-05.19	■	■	
P230 (DC 9.16)		Diesel		8867	169	230	04.06-05.19	■	■	
P230 (DC 9.13)		Diesel		8867	169	230	09.07-05.19	■	■	
P230 (DC 9.16)		Diesel		8867	169	230	09.07-05.19	■	■	
P230 (DC 9.13)		Diesel		8867	169	230	09.07-05.19	■	■	
P230 (DC 9.16)		Diesel		8867	169	230	09.07-05.19	■	■	
P270 (DC 9.12)		Diesel		8867	198	270	09.04-05.19	■	■	
P270 (DC 9.17)		Diesel		8867	199	270	04.06-05.19	■	■	
P310 (DC 9.18)		Diesel		8867	228	310	04.06-05.19	■	■	
P230 (DC 9.01)	01/06-	Diesel		8974	169	230	04.04-05.19	■	■	
P230 (DC 9.04)	01/06-	Diesel		8974	169	230	04.04-05.19	■	■	
P260 (DC 9.02)		Diesel		8974	191	260	04.04-05.19	■	■	
P260 (DC 9.05)		Diesel		8974	191	260	04.04-05.19	■	■	
P300 (DC 9.03)	01/06-	Diesel		8974	220	300	04.04-05.19	■	■	
P300 (DC 9.06)	01/06-	Diesel		8974	220	300	04.04-05.19	■	■	
P280 (DC 9.29)	01/06-	Diesel		9291	206	280	04.04-05.19	■	■	
P340 (DC 11.08)		Diesel		10640	250	340	09.04-05.19	■	■	
P340 (DC 11.08)	01/06-	Diesel		10640	250	340	04.04-05.19	■	■	
P340 (DC 11.08)	01/06-	Diesel		10640	250	340	04.04-05.19	■	■	
P340 (DC 11.08)	01/06-	Diesel		10640	250	340	04.04-05.19	■	■	
P340 (DC 11.08)	01/06-	Diesel		10640	250	340	04.04-05.19	■	■	
P340 (DC 11.08)	01/06-	Diesel		10640	250	340	04.04-05.19	■	■	
P380 (DC 11.09)		Diesel		10640	279	380	04.04-05.19	■	■	
P380 (DC 11.09)		Diesel		10640	279	380	04.04-05.19	■	■	
P340 (DC 12.10)		Diesel		11705	250	340	10.06-05.19	■	■	
P340 (DC 12.10)		Diesel		11705	250	340	04.04-05.19	■	■	
P340 (DC 12.10)		Diesel		11705	250	340	04.04-05.19	■	■	
P340 (DC 12.10)		Diesel		11705	250	340	04.04-05.19	■	■	
P340 (DC 12.10)		Diesel		11705	250	340	04.04-05.19	■	■	
P380 (DC 12.13)		Diesel		11705	279	379	04.04-05.19	■	■	
P380 (DC 12.17)		Diesel		11705	279	379	04.04-05.19	■	■	
P380 (DC 12.13)		Diesel		11705	279	380	04.04-05.19	■	■	
P380 (DC 12.13)		Diesel		11705	280	380	09.05-05.19	■	■	
P380 (DC 12.13)		Diesel		11705	280	380	09.05-05.19	■	■	

LISTA DE APLICACIONES - BUYERS GUIDE

P380 (DC 12.13)		Diesel		11705	280	381	10.06-05.19	■	■
P380 (DC 12.13)		Diesel		11705	280	380	04.04-05.19	■	■
R380 (DC 12.13)		Diesel		11705	280	380	04.04-05.19	■	■
R380 (DC 12.18)		Diesel		11705	280	380	04.10-05.19	■	■
R420 (DC 12.14)		Diesel		11705	309	420	03.04-05.19	■	■
R420 (DT 12.12)		Diesel		11705	309	420	03.04-05.19	■	■
R420 (DC 12.14)		Diesel		11705	309	420	03.04-05.19	■	■
R420 (DT 12.12)		Diesel		11705	309	420	03.04-05.19	■	■
R420 (DT 12.11)		Diesel		11705	309	420	03.04-05.19	■	■
R470 (DT 12.06)		Diesel		11705	345	470	03.04-05.19	■	■
R470 (DT 12.03)		Diesel		11705	345	469	03.04-05.19	■	■
R470 (DT 12.06)		Diesel		11705	345	469	03.04-05.19	■	■
R470		Diesel		11705	345	469	03.04-05.19	■	■
T470 (DT 12.06)		Diesel		11705	345	470	06.04-10.05	■	■
R480 (DT 12.17)	01/10-	Diesel		11705	353	480	04.04-05.19	■	■
R480 (DT 12.17)	01/10-	Diesel		11705	353	480	04.04-05.19	■	■
R480 (DT 12.17)	01/10-	Diesel		11705	353	480	04.04-05.19	■	■
R480 (DT 12.17)		Diesel		11705	353	480	04.10-05.19	■	■
P360 (DC 13.06)		Diesel		12742	265	360	10.07-05.19	■	■
P360 (DC 13.06)		Diesel		12742	265	360	04.10-05.19	■	■
P400 (DC 13.05)		Diesel		12742	294	400	04.10-05.19	■	■
P400 (DC 13.05)		Diesel		12742	294	400	04.10-05.19	■	■
R440 (DC 13.10)		Diesel		12742	324	440	04.10-05.19	■	■
R440 (DC 13.10)		Diesel		12742	324	440	04.10-05.19	■	■
R440 (DC 13.10)		Diesel		12742	324	440	04.10-05.19	■	■
G480		Diesel		12742	353	480	01.12-05.19	■	■
R480 (DC 13.07)		Diesel		12742	353	480	04.10-05.19	■	■
R480 (DC 13.07)	01/10-	Diesel		12742	353	480	04.04-05.19	■	■
R480 (DC 13.07)		Diesel		12742	353	480	04.10-05.19	■	■
R480 (DC 13.07)		Diesel		12742	353	480	04.10-05.19	■	■
R480 (DC 13.07)		Diesel		12742	353	480	07.04-05.19	■	■
R480 (DC 13.07)		Diesel		12742	353	480	07.04-05.19	■	■
P550 (DC 13.119)		Diesel		12742	404	549	01.12-05.19	■	■
R500 (DC 16.04)		Diesel		15607	368	500	03.04-05.19	■	■
R500 (DC 16.06)		Diesel		15607	368	500	03.04-05.19	■	■
R500 (DC 16.19)		Diesel		15607	368	500	03.04-05.19	■	■
R500 (DC 16.04)		Diesel		15607	368	500	03.04-05.19	■	■
R500 (DC 16.04)		Diesel		15607	368	500	03.04-05.19	■	■
R500 (DC 16.04)		Diesel		15607	368	500	04.04-05.19	■	■
R500 (DC 16.19)		Diesel		15607	368	500	03.09-05.19	■	■
R560 (DC 16.05)	01/08-	Diesel		15607	412	560	03.04-05.19	■	■
R560 (DC 16.18)	01/08-	Diesel		15607	412	560	03.04-05.19	■	■
R560 (DC 16.05)		Diesel		15607	412	560	09.06-05.19	■	■
R560 (DC 16.05)		Diesel		15607	412	560	09.06-05.19	■	■
R560 (DC 16.18)		Diesel		15607	412	560	03.09-05.19	■	■
R560		Diesel		15607	412	560	09.04-05.19	■	■
R580 (DC 16.03)		Diesel		15607	426	580	03.04-05.19	■	■
R580 (DC 16.03)		Diesel		15607	426	580	03.04-05.19	■	■
R620 (DC 16.08)	01/05-	Diesel		15607	456	620	03.04-05.19	■	■
R620 (DC 16.17)	01/05-	Diesel		15607	456	620	03.04-05.19	■	■
R620 (DT 16.08)	01/05-	Diesel		15607	456	620	03.04-05.19	■	■

LISTA DE APLICACIONES - BUYERS GUIDE

R620 (DC 16.08)		Diesel		15607	456	620	10.04-05.19	■	■	
R620 (DC 16.08)		Diesel		15607	456	620	03.09-05.19	■	■	
R620 (DC 16.17)		Diesel		15607	456	620	03.09-05.19	■	■	
R620 (DC 16.17)		Diesel		15607	456	620	11.06-05.19	■	■	
R620 (DC 16.17)		Diesel		15607	456	620	11.06-05.19	■	■	
R520 (DC 16.101)		Diesel		16353	382	520	07.13-05.19	■	■	
R520		Diesel		16353	382	520	07.13-05.19	■	■	
R580 (DC 16.102)		Diesel		16353	426	579	09.13-05.19	■	■	
R580 (DC 16.102)		Diesel		16353	426	579	09.13-05.19	■	■	
R580 (DC 16.102)		Diesel		16353	426	579	01.14-05.19	■	■	
R730 (DC 16.21)		Diesel		16353	537	730	04.10-05.19	■	■	
R730 (DC 16.21)		Diesel		16353	537	730	04.10-05.19	■	■	
R730 (DC 16.21)		Diesel		16353	537	730	10.10-05.19	■	■	
R730		Diesel		16353	537	730	10.10-05.19	■	■	
R730		Diesel		16353	537	730	10.10-05.19	■	■	
R730		Diesel		16353	537	730	04.10-05.19	■	■	
06.04-05.19							Platform/Chassis			
P260 (OSC 11.03)		Gasolina		11020	191	260	04.04-05.19	■	■	
06.04-05.19							Truck Tractor			
P230 (DC 9.13)	01/06-	Diesel		8867	169	230	09.04-05.19	■	■	
P230 (DC 9.16)	01/06-	Diesel		8867	169	230	09.04-05.19	■	■	
P310 (DC 9.18)	01/06-	Diesel		8867	228	310	04.04-05.19	■	■	
R340 (DC 11.08)		Diesel		10640	250	340	03.04-05.19	■	■	
P380 (DC 11.09)		Diesel		10640	279	380	09.04-05.19	■	■	
R380 (DC 11.09)		Diesel		10640	279	380	03.04-05.19	■	■	
R380 (DC 11.09)		Diesel		10640	279	380	09.04-05.19	■	■	
R380 (DC 11.09)		Diesel		10640	279	379	04.04-05.19	■	■	
P340 (DC 12.10)		Diesel		11705	250	340	04.04-05.19	■	■	
P340 (DC 12.10)		Diesel		11705	250	340	04.04-05.19	■	■	
R340 (DC 12.10)		Diesel		11705	250	340	08.06-05.19	■	■	
P380 (DC 12.13)		Diesel		11705	279	380	04.04-05.19	■	■	
P380 (DC 12.17)		Diesel		11705	279	379	04.04-05.19	■	■	
G420 (DC 12.06)		Diesel		11705	309	420	03.04-05.19	■	■	
R470 (DT 12.06)		Diesel		11705	345	470	04.04-05.19	■	■	
R470 (DT 12.06)		Diesel		11705	345	469	04.04-05.19	■	■	
R470 (DT 12.06)		Diesel		11705	345	470	04.04-05.19	■	■	
R470 (DT 12.03)		Diesel		11705	345	470	03.04-05.19	■	■	
R470 (DT 12.06)		Diesel		11705	345	470	03.04-05.19	■	■	
R470 (DT 12.06)		Diesel		11705	345	469	03.04-05.19	■	■	
R480 (DT 12.17)	01/10-	Diesel		11705	353	480	04.04-05.19	■	■	
P360 (DC 13.06)		Diesel		12742	265	360	09.09-05.19	■	■	
R360 (DC 13.06)		Diesel		12742	265	360	04.10-05.19	■	■	
R400 (DC 13.05)		Diesel		12742	294	400	04.10-05.19	■	■	
S410 (DC 13.115)		Diesel		12742	302	409	09.16-	■	■	
R440 (DC 13.10)		Diesel		12742	324	440	04.10-05.19	■	■	
S450 (DC 13.124)		Diesel		12742	331	450	09.16-	■	■	
R480 (DC 13.07)		Diesel		12742	353	480	04.10-05.19	■	■	
R480 (DC 13.07)		Diesel		12742	353	480	10.10-05.19	■	■	
S500		Diesel		12742	368	500	10.20-	■	■	
P550 (DC 13.119)		Diesel		12742	404	549	01.12-05.19	■	■	
R500 (DC 16.04)		Diesel		15607	368	500	03.04-05.19	■	■	

LISTA DE APLICACIONES - BUYERS GUIDE

R500 (DC 16.19)		Diesel		15607	368	500	03.04-05.19	■	■
R500 (DC 16.04)		Diesel		15607	368	500	04.04-05.19	■	■
R500 (DC 16.06)		Diesel		15607	368	500	04.04-05.19	■	■
R500 (DC 16.19)		Diesel		15607	368	500	04.04-05.19	■	■
R500 (DC 16.04)		Diesel		15607	368	500	03.04-05.19	■	■
R500 (DC 16.06)		Diesel		15607	368	500	03.04-05.19	■	■
R500 (DC 16.19)		Diesel		15607	368	500	03.04-05.19	■	■
R500 (DC 16.04)		Diesel		15607	368	500	03.04-05.19	■	■
R500 (DC 16.04)		Diesel		15607	368	500	04.04-05.19	■	■
R500 (DC 16.19)		Diesel		15607	368	500	03.09-05.19	■	■
R560 (DC 16.05)	01/08-	Diesel		15607	411	559	03.04-05.19	■	■
R560 (DC 16.18)	01/08-	Diesel		15607	411	559	03.04-05.19	■	■
R560 (DC 16.05)		Diesel		15607	412	560	03.08-05.19	■	■
R560 (DC 16.18)		Diesel		15607	412	560	03.08-05.19	■	■
R560 (DC 16.05)		Diesel		15607	412	560	09.06-05.19	■	■
R560 (DC 16.05)		Diesel		15607	412	560	04.04-05.19	■	■
R560 (DC 16.18)		Diesel		15607	412	560	03.09-05.19	■	■
R580 (DC 16.03)		Diesel		15607	426	580	03.04-05.19	■	■
R580 (DC 16.03)		Diesel		15607	426	580	04.04-05.19	■	■
R580 (DC 16.03)		Diesel		15607	426	580	04.04-05.19	■	■
R580 (DC 16.03)		Diesel		15607	426	579	03.04-05.19	■	■
R620 (DC 16.08)	01/05-	Diesel		15607	455	619	03.04-05.19	■	■
R620 (DC 16.17)	01/05-	Diesel		15607	455	619	03.04-05.19	■	■
R620 (DC 16.08)		Diesel		15607	456	620	09.05-05.19	■	■
R620 (DC 16.08)		Diesel		15607	456	620	03.08-05.19	■	■
R620 (DC 16.17)		Diesel		15607	456	620	03.08-05.19	■	■
R620 (DC 16.08)		Diesel		15607	456	620	10.04-05.19	■	■
R620 (DC 16.17)		Diesel		15607	456	620	03.09-05.19	■	■
R620 (DC 16.17)		Diesel		15607	456	620	11.06-05.19	■	■
R620		Diesel		15607	456	620	09.05-05.19	■	■
S520 (DC 16.101)		Diesel		16353	382	520	09.16-	■	■
R580 (DC 16.102)		Diesel		16353	426	579	09.13-05.19	■	■
R580 (DC 16.102)		Diesel		16353	426	579	09.13-05.19	■	■
R580 (DC 16.102)		Diesel		16353	426	579	09.13-05.19	■	■
S580 (DC 16.102)		Diesel		16353	427	579	09.16-	■	■
R730 (DC 16.21)		Diesel		16353	537	730	04.10-05.19	■	■
R730 (DC 16.21)		Diesel		16353	537	730	04.10-05.19	■	■
R730 (DC 16.21)		Diesel		16353	537	730	10.10-05.19	■	■
R730		Diesel		16353	537	730	10.10-05.19	■	■
R730		Diesel		16353	537	730	10.10-05.19	■	■
R730		Diesel		16353	537	730	10.10-05.19	■	■
R730		Diesel		16353	537	730	10.10-05.19	■	■
S730 (DC 16.103)		Diesel		16353	537	730	09.16-	■	■
4 Series 05.95-				Concrete Mixer					
114 C/340 (DC 11.01)		Diesel		10640	250	340	05.96-04.08	■	■
114 C/340 (DC 11.03)		Diesel		10640	250	340	05.96-04.08	■	■
114 C/380 (DC 11.02)		Diesel		10640	279	379	03.98-04.08	■	■
114 C/380 (DC 11.04)		Diesel		10640	279	379	03.98-04.08	■	■
114 C/340 (DSC 11.79)		Diesel		11020	250	340	05.96-04.08	■	■
124 C/360 (DSC 12.02)		Diesel		11705	265	360	05.96-04.08	■	■
124 C/360 (DSC 12.02)		Diesel		11705	265	360	05.96-04.08	■	■

LISTA DE APLICACIONES - BUYERS GUIDE

4 Series 05.95-					Dump Truck				
94 D/230 (DC 9.01)		Diesel		8974	169	230	04.99-04.08	■	■
94 C/260 (DSC 9.12)	-12/00	Diesel		8974	191	260	12.96-04.08	■	■
94 C/260 (DSC 9.12)	-12/00	Diesel		8974	191	260	12.96-04.08	■	■
94 C/260 (DC 9.02)	-12/00	Diesel		8974	191	260	12.96-04.08	■	■
94 C/260 (DSC 9.12)	-12/00	Diesel		8974	191	260	12.96-04.08	■	■
94 C/260 (DSC 9.12)	-12/00	Diesel		8974	191	260	12.96-04.08	■	■
94 C/260 (DSC 9.12)	-12/00	Diesel		8974	191	260	12.96-04.08	■	■
94 D/260 (DC 9.02)		Diesel		8974	191	260	08.96-04.08	■	■
T 94 C/260 (DSC 9.12)	-12/00	Diesel		8974	191	260	12.96-04.08	■	■
94 C/300 (DC 9.03)		Diesel		8974	220	299	08.96-04.08	■	■
94 D/300 (DC 9.03)		Diesel		8974	220	300	08.96-04.08	■	■
94 C/310 (DSC 9.13)	-12/00	Diesel		8974	228	310	08.96-04.08	■	■
94 C/310 (DSC 9.15)	-12/00	Diesel		8974	228	310	08.96-04.08	■	■
94 C/310 (DSC 9.13)	-12/00	Diesel		8974	228	310	08.96-04.08	■	■
94 C/310 (DSC 9.15)	-12/00	Diesel		8974	228	310	08.96-04.08	■	■
94 C/310 (DSC 9.13)	-12/00	Diesel		8974	228	310	08.96-04.08	■	■
94 C/310 (DSC 9.15)	-12/00	Diesel		8974	228	310	08.96-04.08	■	■
94 C/310 (DSC 9.13)	-12/00	Diesel		8974	228	310	08.96-04.08	■	■
94 C/310 (DSC 9.15)	-12/00	Diesel		8974	228	310	08.96-04.08	■	■
94 C/310 (DSC 9.13)	-12/00	Diesel		8974	228	310	08.96-04.08	■	■
94 C/310 (DSC 9.15)	-12/00	Diesel		8974	228	310	08.96-04.08	■	■
94 C/310 (DSC 9.13)	-12/00	Diesel		8974	228	310	08.96-04.08	■	■
94 C/310 (DSC 9.15)	-12/00	Diesel		8974	228	310	08.96-04.08	■	■
T 94 C/310 (DSC 9.13)	-12/00	Diesel		8974	228	310	09.96-04.08	■	■
114 C/330 (DC 11.07)		Diesel		10640	237	322	05.96-04.08	■	■
114 C/340 (DC 11.01)	-12/00	Diesel		10640	250	340	03.98-04.08	■	■
114 C/340 (DC 11.03)	-12/00	Diesel		10640	250	340	03.98-04.08	■	■
114 C/340 (DC 11.01)	-12/00	Diesel		10640	250	340	03.98-04.08	■	■
114 C/340 (DC 11.03)	-12/00	Diesel		10640	250	340	03.98-04.08	■	■
114 C/340 (DC 11.01)	-12/00	Diesel		10640	250	340	03.98-04.08	■	■
114 C/340 (DC 11.03)	-12/00	Diesel		10640	250	340	03.98-04.08	■	■
114 C/340 (DC 11.01)	-12/00	Diesel		10640	250	340	03.98-04.08	■	■
114 C/340 (DC 11.03)	-12/00	Diesel		10640	250	340	03.98-04.08	■	■
114 C/340 (DC 11.01)	-12/00	Diesel		10640	250	340	03.98-04.08	■	■
114 C/340 (DC 11.03)	-12/00	Diesel		10640	250	340	03.98-04.08	■	■
114 C/340 (DC 11.03)		Diesel		10640	250	340	05.96-04.08	■	■
T 114 C/340 (DC 11.01)	-12/00	Diesel		10640	250	340	03.98-04.08	■	■
T 114 C/340 (DC 11.03)	-12/00	Diesel		10640	250	340	03.98-04.08	■	■
114 C/380 (DC 11.04)		Diesel		10640	279	380	03.98-04.08	■	■
114 C/380 (DC 11.02)	-12/00	Diesel		10640	280	381	03.98-04.08	■	■
114 C/380 (DC 11.02)	-12/00	Diesel		10640	280	381	03.98-04.08	■	■
114 C/380 (DC 11.02)	-12/00	Diesel		10640	280	381	03.98-04.08	■	■
114 C/380 (DC 11.02)	-12/00	Diesel		10640	280	381	03.98-04.08	■	■
114 C/380 (DC 11.02)	-12/00	Diesel		10640	280	381	03.98-04.08	■	■
114 C/380 (DC 11.04)	-12/00	Diesel		10640	280	381	03.98-04.08	■	■
T 114 C/380 (DC 11.02)	-12/00	Diesel		10640	280	380	03.98-04.08	■	■
114 C/340 (DSC 11.79)	-12/00	Diesel		11020	250	340	05.96-04.08	■	■
114 C/340 (DSC 11.79)	-12/00	Diesel		11020	250	340	05.96-04.08	■	■
114 C/340 (DSC 11.79)	-12/00	Diesel		11020	250	340	05.96-04.08	■	■
114 C/340 (DSC 11.79)	-12/00	Diesel		11020	250	340	05.96-04.08	■	■
114 C/340 (DSC 11.79)	-12/00	Diesel		11020	250	340	05.96-04.08	■	■
114 C/340 (DSC 11.79)		Diesel		11020	250	340	05.96-04.08	■	■

LISTA DE APLICACIONES - BUYERS GUIDE

T 114 C/340 (DSC 11.79)		Diesel		11020	250	340	03.98-04.08	■	■
124 C/360 (DSC 12.02)	-12/00	Diesel		11705	265	360	09.96-04.08	■	■
124 C/360 (DSC 12.02)	-12/00	Diesel		11705	265	360	09.96-04.08	■	■
124 C/360 (DSC 12.02)	-12/00	Diesel		11705	265	360	09.96-04.08	■	■
124 C/360 (DSC 12.02)	-12/00	Diesel		11705	265	360	09.96-04.08	■	■
124 C/360 (DSC 12.02)	-12/00	Diesel		11705	265	360	09.96-04.08	■	■
T 124 C/360 (DSC 12.02)	-12/00	Diesel		11705	265	360	09.95-04.08	■	■
124 C/400 (DSC 12.01)	-12/00	Diesel		11705	294	400	09.96-04.08	■	■
124 C/400 (DSC 12.01)	-12/00	Diesel		11705	294	400	09.96-04.08	■	■
124 C/400 (DSC 12.01)	-12/00	Diesel		11705	294	400	09.96-04.08	■	■
124 C/400 (DSC 12.01)	-12/00	Diesel		11705	294	400	09.96-04.08	■	■
124 C/400 (DSC 12.01)	-12/00	Diesel		11705	294	400	09.96-04.08	■	■
T 124 C/400 (DSC 12.01)	-12/00	Diesel		11705	294	400	05.96-04.08	■	■
124 C/420 (DC 12.01)		Diesel		11705	309	420	05.96-04.08	■	■
T 124 C/420 (DC 12.01)	-12/00	Diesel		11705	309	420	05.96-04.08	■	■
T 124 C/420 (DSC 12.05)	-12/00	Diesel		11705	309	420	05.96-04.08	■	■
144 C/460 (DSC 14.15)	-12/00	Diesel		14190	338	460	09.96-04.08	■	■
144 C/460 (DSC 14.15)	-12/00	Diesel		14190	338	460	09.96-04.08	■	■
144 C/530 (DSC 14.13)	-12/00	Diesel		14190	390	530	09.96-04.08	■	■
144 C/530 (DSC 14.13)	-12/00	Diesel		14190	390	530	09.96-04.08	■	■
164 C/480 (DC 16.02)	-12/01	Diesel		15607	353	480	05.00-04.08	■	■
164 C/480 (DC 16.02)	-12/01	Diesel		15607	353	480	05.00-04.08	■	■
164 C/480 (DC 16.02)	-12/01	Diesel		15607	353	480	05.00-04.08	■	■
164 C/480 (DC 16.02)	-12/01	Diesel		15607	353	480	05.00-04.08	■	■
164 C/480 (DC 16.02)	-12/01	Diesel		15607	353	480	05.00-04.08	■	■
4 Series 05.95-							Platform/Chassis		
94 D/270 (DC 9.20)		Diesel		8867	198	269	08.96-04.08	■	■
94 C/310 (DC 9.21)		Diesel		8867	228	310	01.05-04.08	■	■
94 D/220 (DSC 9.11)	-12/00	Diesel		8974	162	220	08.96-04.08	■	■
94 D/220 (DSC 9.11)	-12/00	Diesel		8974	162	220	08.96-04.08	■	■
94 D/220 (DSC 9.11)		Diesel		8974	162	220	08.96-04.08	■	■
94 D/220		Diesel		8974	162	220	08.96-04.08	■	■
94 G/220 (DSC 9.11)	-12/00	Diesel		8974	162	220	08.96-04.08	■	■
94 G/220 (DSC 9.11)	-12/00	Diesel		8974	162	220	01.98-04.08	■	■
94 G/220		Diesel		8974	162	220	01.98-04.08	■	■
T 94 G/220 (DSC 9.11)	-12/00	Diesel		8974	162	220	08.96-04.08	■	■
T 94 G/220 (DSC 9.11)	-12/00	Diesel		8974	162	220	08.96-04.08	■	■
94 D/230 (DC 9.01)	-12/00	Diesel		8974	169	230	08.99-04.08	■	■
94 D/230 (DC 9.04)	-12/00	Diesel		8974	169	230	08.99-04.08	■	■
94 D/230 (DC 9.01)	-12/00	Diesel		8974	169	230	08.99-04.08	■	■
94 D/230 (DC 9.04)	-12/00	Diesel		8974	169	230	08.99-04.08	■	■
94 D/230 (DC 9.01)		Diesel		8974	169	230	04.99-04.08	■	■
94 D/230		Diesel		8974	169	230	08.99-04.08	■	■
T 94 G/230 (DC 9.01)	-12/00	Diesel		8974	169	230	04.99-04.08	■	■
T 94 G/230 (DC 9.01)	-12/00	Diesel		8974	169	230	04.99-04.08	■	■
94 /G260 (DSC 9.12)		Diesel		8974	191	260	08.96-04.08	■	■
94 C/260 (DSC 9.12)	-12/00	Diesel		8974	191	260	12.96-04.08	■	■
94 C/260 (DSC 9.12)	-12/00	Diesel		8974	191	260	12.96-04.08	■	■
94 D/260 (DC 9.02)	-12/00	Diesel		8974	191	260	08.96-04.08	■	■
94 D/260 (DSC 9.12)	-12/00	Diesel		8974	191	260	08.96-04.08	■	■
94 D/260 (DSC 9.12)	-12/00	Diesel		8974	191	260	08.96-04.08	■	■

LISTA DE APLICACIONES - BUYERS GUIDE

94 D/260 (DC 9.02)		Diesel		8974	191	260	08.96-04.08	■	■
94 D/260 (DC 9.02)		Diesel		8974	191	260	08.96-04.08	■	■
94 D/260 (DSC 9.12)		Diesel		8974	191	260	08.96-04.08	■	■
94 D/260		Diesel		8974	191	260	08.96-04.08	■	■
94 G/260 (DSC 9.12)	-12/00	Diesel		8974	191	260	08.96-04.08	■	■
94 G/260 (DSC 9.12)	-12/00	Diesel		8974	191	260	01.98-04.08	■	■
94 G/260 (DSC 9.12)		Diesel		8974	191	260	08.96-04.08	■	■
94 G/260		Diesel		8974	191	260	01.98-04.08	■	■
T 94 C/260 (DSC 9.12)	-12/00	Diesel		8974	191	260	12.96-04.08	■	■
T 94 C/260 (DSC 9.12)	-12/00	Diesel		8974	191	260	12.96-04.08	■	■
T 94 G/260 (DSC 9.12)	-12/00	Diesel		8974	191	260	12.96-04.08	■	■
T 94 G/260 (DSC 9.12)	-12/00	Diesel		8974	191	260	12.96-04.08	■	■
T 94 G/260 (DSC 9.12)	-12/00	Diesel		8974	191	260	12.96-04.08	■	■
94 D/300 (DC 9.03)		Diesel		8974	220	299	08.96-04.08	■	■
94 D/300 (DC 9.03)		Diesel		8974	220	300	08.96-04.08	■	■
94 D/300 (DC 9.03)		Diesel		8974	220	300	08.96-04.08	■	■
T 94 G/310 (DC 9.03)	-12/00	Diesel		8974	221	300	12.96-04.08	■	■
T 94 G/310 (DSC 9.13)	-12/00	Diesel		8974	221	300	12.96-04.08	■	■
T 94 G/310 (DSC 9.15)	-12/00	Diesel		8974	221	300	12.96-04.08	■	■
94 C/310 (DSC 9.13)	-12/00	Diesel		8974	228	310	08.96-04.08	■	■
94 C/310 (DSC 9.15)	-12/00	Diesel		8974	228	310	08.96-04.08	■	■
94 C/310 (DSC 9.13)	-12/00	Diesel		8974	228	310	08.96-04.08	■	■
94 C/310 (DSC 9.15)	-12/00	Diesel		8974	228	310	08.96-04.08	■	■
94 D/310 (DSC 9.13)	-12/00	Diesel		8974	228	310	12.96-04.08	■	■
94 D/310 (DSC 9.15)	-12/00	Diesel		8974	228	310	12.96-04.08	■	■
94 D/310 (DSC 9.13)	-12/00	Diesel		8974	228	310	01.98-04.08	■	■
94 D/310 (DSC 9.15)	-12/00	Diesel		8974	228	310	01.98-04.08	■	■
94 D/310 (DSC 9.13)		Diesel		8974	228	310	08.96-04.08	■	■
94 G/310 (DSC 9.13)	-12/00	Diesel		8974	228	310	08.96-04.08	■	■
94 G/310 (DSC 9.15)	-12/00	Diesel		8974	228	310	08.96-04.08	■	■
94 G/310 (DSC 9.13)		Diesel		8974	228	310	08.96-04.08	■	■
94 G/310 (DSC 9.13)		Diesel		8974	228	310	08.96-04.08	■	■
94 G/310 (DSC 9.13)		Diesel		8974	228	310	08.96-04.08	■	■
94 L/310 (DSC 9.13)	-12/00	Diesel		8974	228	310	08.96-04.08	■	■
94 L/310 (DSC 9.15)	-12/00	Diesel		8974	228	310	08.96-04.08	■	■
94 L/310 (DSC 9.13)	-12/00	Diesel		8974	228	310	08.96-04.08	■	■
94 L/310 (DSC 9.15)	-12/00	Diesel		8974	228	310	08.96-04.08	■	■
94 L/310 (DSC 9.13)	-12/00	Diesel		8974	228	310	08.96-04.08	■	■
94 L/310 (DSC 9.15)	-12/00	Diesel		8974	228	310	08.96-04.08	■	■
94 L/310 (DSC 9.13)		Diesel		8974	228	310	08.96-04.08	■	■
T 94 C/310 (DSC 9.13)	-12/00	Diesel		8974	228	310	09.96-04.08	■	■
T 94 C/310 (DSC 9.13)	-12/00	Diesel		8974	228	310	09.96-04.08	■	■
T 94 G/310 (DSC 9.13)	-12/00	Diesel		8974	228	310	12.96-04.08	■	■
T 94 G/310 (DSC 9.15)	-12/00	Diesel		8974	228	310	12.96-04.08	■	■
T 94 G/310 (DSC 9.13)	-12/00	Diesel		8974	228	310	09.96-04.08	■	■
94 C/310 (DSC 9.13)	-12/00	Diesel		9000	228	310	08.96-04.08	■	■
94 C/310 (DSC 9.15)	-12/00	Diesel		9000	228	310	08.96-04.08	■	■
94 G/310 (DSC 9.13)	-12/00	Diesel		9000	228	310	08.96-04.08	■	■
94 G/310 (DSC 9.15)	-12/00	Diesel		9000	228	310	08.96-04.08	■	■
114 G/340 (DC 11.01)	-12/00	Diesel		10600	250	340	03.98-04.08	■	■
114 G/340 (DC 11.03)	-12/00	Diesel		10600	250	340	03.98-04.08	■	■

LISTA DE APLICACIONES - BUYERS GUIDE

114 C/380 (DC 11.02)	-12/00	Diesel		10640	280	381	03.98-04.08	■	■
114 C/380 (DC 11.02)	-12/00	Diesel		10640	280	381	03.98-04.08	■	■
114 C/380 (DC 11.02)		Diesel		10640	280	380	03.98-04.08	■	■
114 C/380 (DC 11.04)		Diesel		10640	280	380	03.98-04.08	■	■
114 G/380 (DC 11.02)	-12/00	Diesel		10640	280	381	03.98-04.08	■	■
114 G/380 (DC 11.02)	-12/00	Diesel		10640	280	381	03.98-04.08	■	■
114 G/380 (DC 11.02)	-12/00	Diesel		10640	280	381	03.98-04.08	■	■
114 G/380 (DC 11.02)	-12/00	Diesel		10640	280	381	03.98-04.08	■	■
114 G/380 (DC 11.02)	-12/00	Diesel		10640	280	381	03.98-04.08	■	■
114 G/380		Diesel		10640	280	381	03.98-04.08	■	■
114 G/380		Diesel		10640	280	381	03.98-04.08	■	■
114 L/380 (DC 11.02)	-12/00	Diesel		10640	280	381	03.98-04.08	■	■
114 L/380 (DC 11.04)	-12/00	Diesel		10640	280	381	03.98-04.08	■	■
114 L/380 (DC 11.02)	-12/00	Diesel		10640	280	381	03.98-04.08	■	■
114 L/380 (DC 11.04)	-12/00	Diesel		10640	280	381	03.98-04.08	■	■
114 L/380		Diesel		10640	280	381	03.98-04.08	■	■
T 114 C/380 (DC 11.02)	-12/00	Diesel		10640	280	380	03.98-04.08	■	■
T 114 C/380 (DC 11.02)	-12/00	Diesel		10640	280	380	03.98-04.08	■	■
T 114 G/380 (DC 11.02)	-12/00	Diesel		10640	280	380	03.98-04.08	■	■
T 114 G/380 (DC 11.02)	-12/00	Diesel		10640	280	380	03.98-04.08	■	■
T 114 G/380 (DC 11.02)	-12/00	Diesel		10640	280	380	03.98-04.08	■	■
114 G/340 (DSC 11.79)	-12/00	Diesel		11000	250	340	05.96-04.08	■	■
114 G/330 (DSC 11.06)		Diesel		11020	229	311	01.04-04.08	■	■
114 C/340 (DSC 11.79)	-12/00	Diesel		11020	250	340	05.96-04.08	■	■
114 C/340 (DSC 11.79)	-12/00	Diesel		11020	250	340	05.96-04.08	■	■
114 C/340 (DSC 11.07)		Diesel		11020	250	340	05.96-04.08	■	■
114 C/340 (DSC 11.79)		Diesel		11020	250	340	05.96-04.08	■	■
114 G/340 (DSC 11.79)	-12/00	Diesel		11020	250	340	05.96-04.08	■	■
114 G/340 (DSC 11.79)	01/98-	Diesel		11020	250	340	05.96-04.08	■	■
114 G/340 (DSC 11.79)	-12/00	Diesel		11020	250	340	05.96-04.08	■	■
114 G/340 (DSC 11.79)	-12/00	Diesel		11020	250	340	05.96-04.08	■	■
114 G/340 (DSC 11.79)		Diesel		11020	250	340	05.96-04.08	■	■
114 G/340 (DSC 11.79)		Diesel		11020	250	340	05.96-04.08	■	■
114 G/340 (DSC 11.79)		Diesel		11020	250	340	05.96-04.08	■	■
114 G/340 (DSC 11.79)		Diesel		11020	250	340	05.96-04.08	■	■
114 G/340 (DSC 11.79)		Diesel		11020	250	340	05.96-04.08	■	■
114 G/340 (DSC 11.79)		Diesel		11020	250	340	05.96-04.08	■	■
114 G/340 (DSC 11.79)		Diesel		11020	250	340	05.96-04.08	■	■
114 L/340 (DSC 11.79)	-12/00	Diesel		11020	250	340	05.96-04.06	■	■
114 L/340 (DSC 11.79)	-12/00	Diesel		11020	250	340	05.96-04.08	■	■
114 L/340 (DSC 11.79)		Diesel		11020	250	340	05.96-04.08	■	■
114 L/340 (DSC 11.79)		Diesel		11020	250	340	05.96-04.08	■	■
T 114 C/340 (DSC 11.79)		Diesel		11020	250	340	05.96-04.08	■	■
T 114 G/340 (DSC 11.79)	-12/00	Diesel		11020	250	340	05.96-04.08	■	■
T 114 G/340 (DSC 11.79)	-12/00	Diesel		11020	250	340	05.96-04.08	■	■
T 114 G/340 (DSC 11.79)	-12/00	Diesel		11020	250	340	05.96-04.08	■	■
124 L/420 (DC 12.01)	-12/00	Diesel		11700	309	420	09.97-04.08	■	■
124 L/420 (DSC 12.05)	-12/00	Diesel		11700	309	420	09.97-04.08	■	■
114 C/360		Diesel		11705	265	360	01.00-04.08	■	■
124 C/360 (DSC 12.02)	-12/00	Diesel		11705	265	360	09.96-04.08	■	■
124 C/360 (DSC 12.02)	-12/00	Diesel		11705	265	360	09.96-04.08	■	■
124 C/360 (DSC 12.02)		Diesel		11705	265	360	05.96-04.08	■	■
124 C/360 (DC 12.02)		Diesel		11705	265	360	05.96-04.08	■	■

LISTA DE APLICACIONES - BUYERS GUIDE

124 L/420 (DSC 12.05)	01/97-	Diesel		11705	309	420	05.96-04.08	■	■
124 L/420 (DSC 12.05)	01/97-	Diesel		11705	309	420	05.96-04.08	■	■
T 124 C/420 (DC 12.01)	-12/00	Diesel		11705	309	420	05.96-04.08	■	■
T 124 C/420 (DSC 12.05)	-12/00	Diesel		11705	309	420	05.96-04.08	■	■
T 124 C/420 (DC 12.01)	-12/00	Diesel		11705	309	420	05.96-04.08	■	■
T 124 C/420 (DSC 12.05)	-12/00	Diesel		11705	309	420	05.96-04.08	■	■
T 124 G/420 (DC 12.01)	-12/00	Diesel		11705	309	420	09.97-04.08	■	■
T 124 G/420 (DSC 12.05)	-12/00	Diesel		11705	309	420	09.97-04.08	■	■
T 124 G/420 (DC 12.01)	01/97-	Diesel		11705	309	420	05.96-04.08	■	■
T 124 G/420 (DSC 12.05)	01/97-	Diesel		11705	309	420	05.96-04.08	■	■
124 L/440 (DT 12.08)		Diesel		11705	324	440	01.01-04.08	■	■
124 L/440 (DT 12.08)		Diesel		11705	324	440	01.01-04.08	■	■
124 L/440		Diesel		11705	324	440	01.01-04.08	■	■
124 C/470 (DT 12.02)		Diesel		11705	345	469	01.00-04.08	■	■
124 G/470 (DT 12.02)		Diesel		11705	345	469	01.00-04.08	■	■
124 G/470 (DT 12.02)		Diesel		11705	345	469	01.00-04.08	■	■
124 L/470 (DT 12.02)		Diesel		11705	345	470	01.01-04.08	■	■
124 L/470 (DT 12.02)		Diesel		11705	345	470	01.01-04.08	■	■
124 L/470		Diesel		11705	345	470	01.01-04.08	■	■
144 C/460 (DSC 14.15)	-12/00	Diesel		14190	338	460	09.96-04.08	■	■
144 C/460 (DSC 14.15)	-12/00	Diesel		14190	338	460	09.96-04.08	■	■
144 G/460 (DSC 14.15)	-12/00	Diesel		14190	338	460	04.96-04.08	■	■
144 G/460 (DSC 14.15)	-12/00	Diesel		14190	338	460	04.96-04.08	■	■
144 G/460 (DSC 14.15)	-12/00	Diesel		14190	338	460	04.96-04.08	■	■
144 G/460 (DSC 14.15)	-12/00	Diesel		14190	338	460	04.96-04.08	■	■
144 G/460 (DSC 14.15)	-12/00	Diesel		14190	338	460	04.96-04.08	■	■
144 G/460		Diesel		14190	338	460	04.96-04.08	■	■
144 L/460 (DSC 14.15)	-12/00	Diesel		14190	338	460	11.95-04.08	■	■
144 L/460 (DSC 14.15)	-12/00	Diesel		14190	338	460	11.95-04.08	■	■
144 L/460 (DSC 14.15)		Diesel		14190	338	460	11.95-04.08	■	■
144 L/460		Diesel		14190	338	460	11.95-04.08	■	■
T 144 C/460 (DSC 14.15)	-12/00	Diesel		14190	338	460	09.95-04.08	■	■
T 144 C/460 (DSC 14.15)	-12/00	Diesel		14190	338	460	09.95-04.08	■	■
T 144 G/460 (DSC 14.15)		Diesel		14190	338	460	03.97-04.08	■	■
T 144 G/460 (DSC 14.15)	-12/00	Diesel		14190	338	460	03.97-04.08	■	■
T 144 G/460 (DSC 14.15)	-12/00	Diesel		14190	338	460	03.97-04.08	■	■
144 C/530 (DSC 14.13)	-12/00	Diesel		14190	390	530	09.96-04.08	■	■
144 C/530 (DSC 14.13)	-12/00	Diesel		14190	390	530	09.96-04.08	■	■
144 G/530 (DSC 14.13)	-12/00	Diesel		14190	390	530	04.96-04.08	■	■
144 G/530 (DSC 14.13)	-12/00	Diesel		14190	390	530	04.96-04.08	■	■
144 G/530 (DSC 14.13)	-12/00	Diesel		14190	390	530	04.96-04.08	■	■
144 G/530 (DSC 14.13)	-12/00	Diesel		14190	390	530	04.96-04.08	■	■
144 G/530 (DSC 14.13)	-12/00	Diesel		14190	390	530	04.96-04.08	■	■
144 G/530		Diesel		14190	390	530	04.96-04.08	■	■
144 L/530 (DSC 14.13)	-12/00	Diesel		14190	390	530	11.95-04.08	■	■
144 L/530 (DSC 14.13)	-12/00	Diesel		14190	390	530	11.95-04.08	■	■
144 L/530 (DSC 14.13)		Diesel		14190	390	530	01.00-04.08	■	■
144 L/530		Diesel		14190	390	530	10.95-04.08	■	■
T 144 C/530 (DSC 14.13)	-12/00	Diesel		14190	390	530	09.95-04.08	■	■
T 144 C/530 (DSC 14.13)	-12/00	Diesel		14190	390	530	09.95-04.08	■	■
T 144 G/530 (DSC 14.13)	-12/00	Diesel		14190	390	530	03.97-04.08	■	■

LISTA DE APLICACIONES - BUYERS GUIDE

T 144 G/530 (DSC 14.13)	-12/00	Diesel		14190	390	530	03.97-04.08	■	■
T 144 G/530 (DSC 14.13)	-12/00	Diesel		14190	390	530	03.97-04.08	■	■
144 L/460 (DSC 14.15)	-12/00	Diesel		14200	338	460	11.95-04.08	■	■
144 L/530 (DSC 14.13)	-12/00	Diesel		14200	390	530	11.95-04.08	■	■
164 C/480 (DC 16.02)	-12/01	Diesel		15607	353	480	05.00-04.08	■	■
164 C/480 (DC 16.02)	-12/01	Diesel		15607	353	480	05.00-04.08	■	■
164 C/480 (DC 16.02)	-12/01	Diesel		15607	353	480	05.00-04.08	■	■
164 G/480 (DC 16.02)	-12/01	Diesel		15607	353	480	05.00-04.08	■	■
164 G/480 (DC 16.02)	-12/01	Diesel		15607	353	480	05.00-04.08	■	■
164 G/480 (DC 16.02)		Diesel		15607	353	480	01.00-04.08	■	■
164 L/480 (DC 16.02)	-12/01	Diesel		15607	353	480	05.00-04.08	■	■
164 L/480 (DC 16.02)	-12/01	Diesel		15607	353	480	05.00-04.08	■	■
164 L/480 (DC 16.02)	-12/01	Diesel		15607	353	480	05.00-04.08	■	■
164 C/580 (DC 16.01)	-12/01	Diesel		15607	426	580	05.00-04.08	■	■
164 C/580 (DC 16.01)	-12/01	Diesel		15607	426	580	05.00-04.08	■	■
164 G/580 (DC 16.01)	-12/01	Diesel		15607	426	580	05.00-04.08	■	■
164 G/580 (DC 16.01)		Diesel		15607	426	580	05.00-04.08	■	■
164 G/580 (DC 16.01)		Diesel		15607	426	579	01.00-04.08	■	■
164 L/580 (DC 16.01)	-12/01	Diesel		15607	426	580	05.00-04.08	■	■
164 L/580 (DC 16.01)	-12/01	Diesel		15607	426	580	05.00-04.08	■	■
164 L/580 (DC 16.01)	-12/01	Diesel		15607	426	580	05.00-04.08	■	■
4 Series 05.95-								Truck Tractor	
94 G/300 (DC 9.21)		Diesel		8867	198	269	01.04-04.08	■	■
94 D/220 (DSC 9.11)	-12/00	Diesel		8974	162	220	08.96-04.08	■	■
94 D/220 (DSC 9.11)		Diesel		8974	162	220	08.96-04.08	■	■
94 G/220 (DSC 9.11)	-12/00	Diesel		8974	162	220	08.96-04.08	■	■
T 94 G/220 (DSC 9.11)	-12/00	Diesel		8974	162	220	08.96-04.08	■	■
94 D/230 (DC 9.01)	-12/00	Diesel		8974	169	230	08.99-04.08	■	■
94 D/230 (DC 9.04)	-12/00	Diesel		8974	169	230	08.99-04.08	■	■
T 94 G/230 (DC 9.01)	-12/00	Diesel		8974	169	230	04.99-04.08	■	■
94 D/260 (DC 9.02)	-12/00	Diesel		8974	191	260	08.96-04.08	■	■
94 D/260 (DSC 9.12)	-12/00	Diesel		8974	191	260	08.96-04.08	■	■
94 D/260 (DSC 9.12)		Diesel		8974	191	260	08.96-04.08	■	■
94 G/260 (DSC 9.12)	-12/00	Diesel		8974	191	260	08.96-04.08	■	■
T 94 G/260 (DSC 9.12)	-12/00	Diesel		8974	191	260	12.96-04.08	■	■
94 D/300 (DC 9.03)		Diesel		8974	220	300	08.96-04.08	■	■
94 C/310 (DSC 9.13)	-12/00	Diesel		8974	228	310	08.96-04.08	■	■
94 C/310 (DSC 9.15)	-12/00	Diesel		8974	228	310	08.96-04.08	■	■
94 D/310 (DSC 9.13)	-12/00	Diesel		8974	228	310	12.96-04.08	■	■
94 D/310 (DSC 9.15)	-12/00	Diesel		8974	228	310	12.96-04.08	■	■
94 D/310 (DSC 9.13)		Diesel		8974	228	310	08.96-04.08	■	■
94 G/310 (DSC 9.13)	-12/00	Diesel		8974	228	310	08.96-04.08	■	■
94 G/310 (DSC 9.15)	-12/00	Diesel		8974	228	310	08.96-04.08	■	■
94 L/310 (DSC 9.13)	-12/00	Diesel		8974	228	310	08.96-04.08	■	■
94 L/310 (DSC 9.15)	-12/00	Diesel		8974	228	310	08.96-04.08	■	■
94 L/310 (DSC 9.13)	-12/00	Diesel		8974	228	310	08.96-04.08	■	■
94 L/310 (DSC 9.15)	-12/00	Diesel		8974	228	310	08.96-04.08	■	■
T 94 C/310 (DSC 9.13)	-12/00	Diesel		8974	228	310	09.96-04.08	■	■
T 94 G/310 (DSC 9.13)	-12/00	Diesel		8974	228	310	12.96-04.08	■	■
T 94 G/310 (DSC 9.15)	-12/00	Diesel		8974	228	310	12.96-04.08	■	■
T 94 L/310 (DSC 9.13)	-12/00	Diesel		8974	228	310	09.96-04.08	■	■

LISTA DE APLICACIONES - BUYERS GUIDE

124 C/400 (DSC 12.01)	-12/00	Diesel		11705	294	400	09.96-04.08	■	■
124 G/400 (DSC 12.01)	-12/00	Diesel		11705	294	400	05.96-04.08	■	■
124 G/400 (DSC 12.01)	-12/00	Diesel		11705	294	400	05.96-04.08	■	■
124 G/400 (DSC 12.01)	-12/00	Diesel		11705	294	400	05.96-04.08	■	■
124 L/400 (DSC 12.01)	-12/00	Diesel		11705	294	400	09.96-04.08	■	■
124 L/400 (DSC 12.01)	-12/00	Diesel		11705	294	400	09.96-04.08	■	■
124 L/400 (DSC 12.01)	-12/00	Diesel		11705	294	400	09.96-04.08	■	■
124 L/400		Diesel		11705	294	400	09.96-04.08	■	■
T 124 C/400 (DSC 12.01)	-12/00	Diesel		11705	294	400	05.96-04.08	■	■
T 124 C/400 (DSC 12.01)	01/97-	Diesel		11705	294	400	05.96-04.08	■	■
T 124 G/400 (DSC 12.01)	-12/00	Diesel		11705	294	400	03.97-04.08	■	■
T 124 G/400 (DSC 12.01)	-12/00	Diesel		11705	294	400	03.97-04.08	■	■
T 124 G/400 (DSC 12.01)	-12/00	Diesel		11705	294	400	03.97-04.08	■	■
T 124 L/400 (DSC 12.01)	-12/00	Diesel		11705	294	400	02.97-04.08	■	■
T 124 L/400 (DSC 12.01)	-12/00	Diesel		11705	294	400	05.96-04.08	■	■
T 124 L/400 (DSC 12.01)	-12/00	Diesel		11705	294	400	05.96-04.08	■	■
124 /G420 (DSC 12.05)	01/98-	Diesel		11705	308	420	05.96-04.08	■	■
124 L/420 (DC 12.01)	-12/00	Diesel		11705	308	420	09.97-04.08	■	■
124 L/420 (DC 12.03)	-12/00	Diesel		11705	308	420	09.97-04.08	■	■
124 L/420 (DSC 12.05)	-12/00	Diesel		11705	308	420	09.97-04.08	■	■
124 L/420 (DC 12.01)	01/97-	Diesel		11705	308	419	05.96-04.08	■	■
124 L/420 (DC 12.03)	01/97-	Diesel		11705	308	419	05.96-04.08	■	■
124 L/420		Diesel		11705	308	420	09.97-04.08	■	■
124 C/420 (DC 12.01)		Diesel		11705	309	420	05.96-04.08	■	■
124 C/420 (DSC 12.05)		Diesel		11705	309	420	05.96-04.08	■	■
124 C/420 (DC 12.01)		Diesel		11705	309	420	05.96-04.08	■	■
124 C/420 (DSC 12.05)		Diesel		11705	309	420	05.96-04.08	■	■
124 G/420 (DSC 12.05)		Diesel		11705	309	420	05.96-04.08	■	■
124 L/420 (DC 12.01)	-12/00	Diesel		11705	309	420	09.97-04.08	■	■
124 L/420 (DSC 12.05)	-12/00	Diesel		11705	309	420	09.97-04.08	■	■
124 L/420 (DSC 12.05)	-12/00	Diesel		11705	309	420	09.97-04.08	■	■
124 L/420 (DC 12.01)	01/97-	Diesel		11705	309	420	05.96-04.08	■	■
T 124 C/420 (DC 12.01)	-12/00	Diesel		11705	309	420	05.96-04.08	■	■
T 124 C/420 (DSC 12.05)	-12/00	Diesel		11705	309	420	05.96-04.08	■	■
T 124 C/420 (DC 12.01)		Diesel		11705	309	420	09.97-04.08	■	■
T 124 C/420 (DSC 12.05)		Diesel		11705	309	420	09.97-04.08	■	■
T 124 C/420 (DSC 12.05)		Diesel		11705	309	420	05.96-04.08	■	■
T 124 G/420 (DC 12.01)	-12/00	Diesel		11705	309	420	09.97-04.08	■	■
T 124 G/420 (DSC 12.05)	-12/00	Diesel		11705	309	420	09.97-04.08	■	■
T 124 G/420 (DC 12.01)	-12/00	Diesel		11705	309	420	09.97-04.08	■	■
T 124 G/420 (DSC 12.05)	-12/00	Diesel		11705	309	420	09.97-04.08	■	■
T 124 G/420 (DC 12.01)	-12/00	Diesel		11705	309	420	09.97-04.08	■	■
T 124 G/420 (DSC 12.05)	-12/00	Diesel		11705	309	420	09.97-04.08	■	■
T 124 G/420 (DSC 12.05)	01/97-	Diesel		11705	309	420	05.96-04.08	■	■
T 124 L/420 (DC 12.01)	-12/00	Diesel		11705	309	420	05.96-04.08	■	■
T 124 L/420 (DSC 12.05)	-12/00	Diesel		11705	309	420	05.96-04.08	■	■
T 124 L/420 (DC 12.01)	-12/00	Diesel		11705	309	420	09.97-04.08	■	■
T 124 L/420 (DSC 12.05)	-12/00	Diesel		11705	309	420	09.97-04.08	■	■
T 124 L/420 (DC 12.01)	-12/00	Diesel		11705	309	420	09.97-04.08	■	■
T 124 L/420 (DSC 12.05)	-12/00	Diesel		11705	309	420	09.97-04.08	■	■
T 124 L/420 (DC 12.01)		Diesel		11705	309	420	05.96-04.08	■	■

LISTA DE APLICACIONES - BUYERS GUIDE

T 124 L/420 (DSC 12.05)		Diesel		11705	309	420	05.96-04.08	■	■
124 L/440 (DT 12.08)		Diesel		11705	324	440	01.01-04.08	■	■
124 L/440 (DT 12.08)		Diesel		11705	324	440	01.01-04.08	■	■
124 L/440		Diesel		11705	324	440	01.01-04.08	■	■
124 C/470 (DT 12.02)		Diesel		11705	345	469	01.00-04.08	■	■
124 L/470 (DT 12.02)		Diesel		11705	345	470	01.01-04.08	■	■
124 L/470 (DT 12.02)		Diesel		11705	345	470	01.01-04.08	■	■
124 L/470 (DT 12.02)	01/01-	Diesel		11705	345	469	01.00-04.08	■	■
124 L/470 (DT 12.02)	01/01-	Diesel		11705	345	469	01.00-04.08	■	■
124 L/470		Diesel		11705	345	470	01.01-04.08	■	■
T 124 L/470 (DT 12.02)		Diesel		11705	345	470	01.01-04.08	■	■
T 124 L/470 (DT 12.02)	01/01-	Diesel		11705	345	469	01.00-04.08	■	■
144 C/460 (DSC 14.15)	-12/00	Diesel		14190	338	460	09.96-04.08	■	■
144 C/460 (DSC 14.15)	-12/00	Diesel		14190	338	460	09.96-04.08	■	■
144 G/460 (DSC 14.15)	-12/00	Diesel		14190	338	460	04.96-04.08	■	■
144 G/460 (DSC 14.15)	-12/00	Diesel		14190	338	460	04.96-04.08	■	■
144 G/460 (DSC 14.15)	-12/00	Diesel		14190	338	460	04.96-04.08	■	■
144 L/460 (DSC 14.15)	-12/00	Diesel		14190	338	460	11.95-04.08	■	■
144 L/460 (DSC 14.15)	-12/00	Diesel		14190	338	460	11.95-04.08	■	■
144 L/460 (DSC 14.15)	-12/00	Diesel		14190	338	460	11.95-04.08	■	■
T 144 C/460 (DSC 14.15)	-12/00	Diesel		14190	338	460	09.95-04.08	■	■
T 144 C/460 (DSC 14.15)	-12/00	Diesel		14190	338	460	09.95-04.08	■	■
T 144 G/460 (DSC 14.15)	-12/00	Diesel		14190	338	460	03.97-04.08	■	■
T 144 G/460 (DSC 14.15)	-12/00	Diesel		14190	338	460	03.97-04.08	■	■
T 144 G/460 (DSC 14.15)	-12/00	Diesel		14190	338	460	03.97-04.08	■	■
T 144 L/460 (DSC 14.15)	-12/00	Diesel		14190	338	460	03.97-04.08	■	■
T 144 L/460 (DSC 14.15)	-12/00	Diesel		14190	338	460	09.95-04.08	■	■
T 144 L/460 (DSC 14.15)	-12/00	Diesel		14190	338	460	09.95-04.08	■	■
T 144 L/460 (DSC 14.15)		Diesel		14190	338	460	03.97-04.08	■	■
144 C/530 (DSC 14.13)	-12/00	Diesel		14190	390	530	09.96-04.08	■	■
144 C/530 (DSC 14.13)	-12/00	Diesel		14190	390	530	09.96-04.08	■	■
144 G/530 (DSC 14.13)	-12/00	Diesel		14190	390	530	04.96-04.08	■	■
144 G/530 (DSC 14.13)	-12/00	Diesel		14190	390	530	04.96-04.08	■	■
144 G/530 (DSC 14.13)	-12/00	Diesel		14190	390	530	04.96-04.08	■	■
144 L/530 (DSC 14.13)	-12/00	Diesel		14190	390	530	11.95-04.08	■	■
144 L/530 (DSC 14.13)	-12/00	Diesel		14190	390	530	11.95-04.08	■	■
144 L/530 (DSC 14.13)	-12/00	Diesel		14190	390	530	11.95-04.08	■	■
T 144 C/530 (DSC 14.13)	-12/00	Diesel		14190	390	530	09.95-04.08	■	■
T 144 C/530 (DSC 14.13)	-12/00	Diesel		14190	390	530	09.95-04.08	■	■
T 144 G/530 (DSC 14.13)	-12/00	Diesel		14190	390	530	03.97-04.08	■	■
T 144 G/530 (DSC 14.13)	-12/00	Diesel		14190	390	530	03.97-04.08	■	■
T 144 G/530 (DSC 14.13)	-12/00	Diesel		14190	390	530	03.97-04.08	■	■
T 144 L/530 (DSC 14.13)	-12/00	Diesel		14190	390	530	03.97-04.08	■	■
T 144 L/530 (DSC 14.13)	-12/00	Diesel		14190	390	530	09.95-04.08	■	■
T 144 L/530 (DSC 14.13)	-12/00	Diesel		14190	390	530	09.95-04.08	■	■
T 144 L/530 (DSC 14.13)		Diesel		14190	390	530	03.97-04.08	■	■
164 L/480 (DC 16.02)		Diesel		15600	353	480	01.00-04.08	■	■
164 C/480 (DC 16.02)	-12/01	Diesel		15607	353	480	05.00-04.08	■	■
164 C/480 (DC 16.02)	-12/01	Diesel		15607	353	480	05.00-04.08	■	■
164 C/480 (DC 16.02)	-12/01	Diesel		15607	353	480	05.00-04.08	■	■
164 G/480 (DC 16.02)	-12/01	Diesel		15607	353	480	05.00-04.08	■	■

LISTA DE APLICACIONES - BUYERS GUIDE

164 G/480 (DC 16.02)		Diesel		15607	353	480	01.00-04.08	■	■	
164 L/480 (DC 16.02)	-12/01	Diesel		15607	353	480	05.00-04.08	■	■	
164 L/480 (DC 16.02)	-12/01	Diesel		15607	353	480	05.00-04.08	■	■	
164 L/480 (DC 16.02)	-12/01	Diesel		15607	353	480	05.00-04.08	■	■	
164 L/480 (DC 16.02)		Diesel		15607	353	480	01.00-04.08	■	■	
164 L/480		Diesel		15607	353	480	05.00-04.08	■	■	
164 C/580 (DC 16.01)	-12/01	Diesel		15607	426	580	05.00-04.08	■	■	
164 C/580 (DC 16.01)	-12/01	Diesel		15607	426	580	05.00-04.08	■	■	
164 G/580 (DC 16.01)	-12/01	Diesel		15607	426	580	05.00-04.08	■	■	
164 G/580 (DC 16.01)	-12/01	Diesel		15607	426	580	05.00-04.08	■	■	
164 G/580 (DC 16.01)	-12/01	Diesel		15607	426	580	05.00-04.08	■	■	
164 L/580 (DC 16.01)	-12/01	Diesel		15607	426	580	05.00-04.08	■	■	
164 L/580 (DC 16.01)	-12/01	Diesel		15607	426	580	05.00-04.08	■	■	
164 L/580 (DC 16.01)		Diesel		15607	426	580	05.00-04.08	■	■	
164 L/580 (DC 16.01)		Diesel		15607	426	579	01.00-04.08	■	■	
164 L/580 (DC 16.01)		Diesel		15607	426	579	01.00-04.08	■	■	
164 L/580		Diesel		15607	426	580	05.00-04.08	■	■	
P,G,R,T Series 01.03-							Concrete Mixer			
P 340, R 340 (DC 11.08)		Diesel		10600	250	340	04.04-	■	■	
P 380, R380 (DC 11.09)		Diesel		10600	279	380	04.04-	■	■	
G 340, P 340, R 340 (DC 12.10)		Diesel		11700	250	340	04.04-	■	■	
G 380, P 380, R 380 (DC 12.13)		Diesel		11700	279	380	04.04-	■	■	
P,G,R,T Series 01.03-							Dump Truck			
P 340, R 340 (DC 11.08)		Diesel		10600	250	340	04.04-	■	■	
P 380, R380 (DC 11.09)		Diesel		10600	279	380	04.04-	■	■	
G 340, P 340 (DC 12.10)		Diesel		11700	250	340	04.04-	■	■	
G 340, P 340, R 340 (DC 12.10)		Diesel		11700	250	340	04.04-	■	■	
G 380, P 380 (DC 12.13)		Diesel		11700	279	380	04.04-	■	■	
G 380, P 380, R 380 (DC 12.13)		Diesel		11700	279	380	04.04-	■	■	
G 420, P 420, R 420 (DC 12.14)		Diesel		11716	309	420	09.05-	■	■	
G 420, P 420, R 420 (DT 12.12)		Diesel		11716	309	420	09.05-	■	■	
G 420, R 420 (DT 12.12)		Diesel		11716	309	420	01.08-	■	■	
G 480, R 480 (DT 12.17)		Diesel		11716	353	480	01.08-	■	■	
G 480, R 480 (DT 12.17)	01/08-	Diesel		11716	353	480	04.04-	■	■	
G 400, P 400, R 400 (DC 13.05)		Diesel		12742	294	400	07.09-	■	■	
G 450, P 450, R 450 (DC 13.124)		Diesel		12742	331	450	09.13-	■	■	
G 480, R 480 (DC 13.07)		Diesel		12742	353	480	04.04-	■	■	
G 480, R 480 (DC 13.110)		Diesel		12742	353	480	04.04-	■	■	
G 480, R 480 (DC 13.111)		Diesel		12742	353	480	04.04-	■	■	
G 490, R 490 (DC 13.125)		Diesel		12742	360	490	09.13-	■	■	
P 500, R 500 (DC 16.06)		Diesel		15600	368	500	07.09-	■	■	
R 560, P 560 (DC 16.05)		Diesel		15600	412	560	07.09-	■	■	
P,G,R,T Series 01.03-							Platform/Chassis			
G 230, P 230 (DC 9.13)		Diesel		8867	169	230	08.06-	■	■	
G 230, P 230 (DC 9.16)		Diesel		8867	169	230	08.06-	■	■	
P 230, R 230 (DC 9.13)		Diesel		8867	169	230	09.04-	■	■	
P 230, R 230 (DC 9.16)		Diesel		8867	169	230	09.04-	■	■	
P 230, R 230 (DC 9.16)		Diesel		8867	169	230	08.06-	■	■	
G 270, P 270 (DC 9.12)		Diesel		8867	198	270	04.04-	■	■	
G 270, P 270 (DC 9.17)		Diesel		8867	198	270	04.04-	■	■	

LISTA DE APLICACIONES - BUYERS GUIDE

G 270, P 270, R 270 (DC 9.12)		Diesel		8867	198	270	09.04-	■	■
G 270, P 270, R 270 (DC 9.17)		Diesel		8867	198	270	09.04-	■	■
P 270, R 270 (DC 9.17)		Diesel		8867	198	270	08.06-	■	■
G 310, P 310 (DC 9.11)		Diesel		8867	228	310	09.04-	■	■
G 310, P 310 (DC 9.18)		Diesel		8867	228	310	09.04-	■	■
G 310, P 310 (DC 9.11)		Diesel		8867	228	310	09.04-	■	■
G 310, P 310 (DC 9.18)		Diesel		8867	228	310	09.04-	■	■
P 310, R 310 (DC 9.11)		Diesel		8867	228	310	09.04-	■	■
P 310, R 310 (DC 9.18)		Diesel		8867	228	310	09.04-	■	■
P 310, R 310 (DC 9.18)		Diesel		8867	228	310	09.04-	■	■
G 230, P 230 (DC 9.30)		Diesel		9291	169	230	09.07-	■	■
G 230, P 230 (DC 9.35)		Diesel		9291	169	230	09.07-	■	■
G 230, P 230 (DC 9.39)		Diesel		9291	169	230	09.07-	■	■
G 230, P 230 (DC 9.30)		Diesel		9291	169	230	09.07-	■	■
G 230, P 230 (DC 9.35)		Diesel		9291	169	230	09.07-	■	■
G 230, P 230 (DC 9.30)		Diesel		9291	169	230	09.07-	■	■
G 230, P 230 (DC 9.35)		Diesel		9291	169	230	09.07-	■	■
G 340, P 340, R 340 (DC 11.08)	01/06-	Diesel		10600	250	340	04.04-	■	■
P 340, R 340 (DC 11.08)		Diesel		10600	250	340	04.04-	■	■
P 340, R 340 (DC 11.08)		Diesel		10600	250	340	04.04-	■	■
P 380, R380 (DC 11.09)		Diesel		10600	279	380	04.04-	■	■
P 380, R380 (DC 11.09)		Diesel		10600	279	380	04.04-	■	■
P 380, R380 (DC 11.09)		Diesel		10600	279	380	04.04-	■	■
P 380, R380 (DC 11.09)		Diesel		10600	279	380	04.04-	■	■
P 380, R380 (DC 11.09)		Diesel		10600	279	380	04.04-	■	■
P 380, R380 (DC 11.09)		Diesel		10600	279	379	04.04-	■	■
P 380, R380 (DC 11.09)		Diesel		10600	279	380	04.04-	■	■
G 340, P 340 (DC 12.10)		Diesel		11700	250	340	08.04-	■	■
G 340, P 340 (DC 12.10)		Diesel		11700	250	340	04.04-	■	■
G 340, P 340, R 340 (DC 12.10)		Diesel		11700	250	340	04.04-	■	■
G 340, P 340, R 340 (DC 12.10)		Diesel		11700	250	340	04.04-	■	■
P 340, R 340 (DC 12.10)		Diesel		11700	250	340	04.04-	■	■
P 340, R 340 (DC 12.10)		Diesel		11700	250	340	04.04-	■	■
G 380, P 380 (DC 12.13)		Diesel		11700	279	380	04.04-	■	■
G 380, P 380, R 380 (DC 12.13)		Diesel		11700	279	380	08.04-	■	■
P 380, R380 (DC 12.13)		Diesel		11700	279	380	04.04-	■	■
G 380, P 380, R 380 (DC 12.13)		Diesel		11700	280	380	09.05-	■	■
G 380, P 380, R 380 (DC 12.13)		Diesel		11700	280	380	04.04-	■	■
P 380, R380 (DC 12.13)		Diesel		11700	280	380	09.05-	■	■
P 380, R380 (DC 12.13)		Diesel		11700	280	380	09.05-	■	■
P 380, R380 (DC 12.18)		Diesel		11716	279	379	04.04-	■	■
G 420, P 420, R 420 (DC 12.14)		Diesel		11716	309	420	09.04-	■	■
G 420, P 420, R 420 (DC 12.15)		Diesel		11716	309	420	09.04-	■	■
G 420, P 420, R 420 (DT 12.12)		Diesel		11716	309	420	09.04-	■	■
G 420, P 420, R 420 (DC 12.14)		Diesel		11716	309	420	03.04-	■	■
G 420, P 420, R 420 (DC 12.15)		Diesel		11716	309	420	03.04-	■	■
G 420, P 420, R 420 (DT 12.12)		Diesel		11716	309	420	03.04-	■	■
G 420, R 420 (DT 12.12)		Diesel		11716	309	420	01.08-	■	■
P 420, R 420 (DT 12.12)		Diesel		11716	309	420	09.05-	■	■
P 420, R 420 (DT 12.14)		Diesel		11716	309	420	09.05-	■	■
G 470, R 470 (DT 12.03)		Diesel		11716	345	470	03.04-	■	■

LISTA DE APLICACIONES - BUYERS GUIDE

G 470, R 470 (DT 12.06)		Diesel		11716	345	470	03.04-	■	■
R470 (DT 12.03)		Diesel		11716	345	469	03.04-	■	■
R470 (DT 12.06)		Diesel		11716	345	469	03.04-	■	■
G 480, R 480 (DT 12.17)		Diesel		11716	353	480	01.08-	■	■
G 480, R 480		Diesel		11716	353	480	01.08-	■	■
P 480, R 480 (DT 12.17)		Diesel		11716	353	480	04.10-	■	■
R480 (DT 12.17)	01/10-	Diesel		11716	353	480	04.04-	■	■
G 360, P 360, R 360 (DC 13.06)		Diesel		12742	265	360	04.10-	■	■
G 360, P 360, R 360 (DC 13.06)		Diesel		12742	265	360	04.10-	■	■
P 360, R 360 (DC 13.06)		Diesel		12742	265	360	04.10-	■	■
P 360, R 360 (DC 13.06)		Diesel		12742	265	360	04.10-	■	■
P 360, R 360 (DC 13.06)		Diesel		12742	265	360	04.10-	■	■
G 400, P 400, R 400 (DC 13.05)		Diesel		12742	294	400	04.10-	■	■
G 400, R 400 (DC 13.05)		Diesel		12742	294	400	03.08-	■	■
P 400, R 400 (DC 13.05)		Diesel		12742	294	400	04.10-	■	■
P 400, R 400 (DC 13.05)		Diesel		12742	294	400	04.10-	■	■
P 400, R 400 (DC 13.05)		Diesel		12742	294	400	04.10-	■	■
G 440, R 440 (DC 13.10)		Diesel		12742	324	441	01.10-	■	■
P 440, R 440 (DC 13.10)		Diesel		12742	324	440	04.10-	■	■
G 480, R 480 (DC 13.07)		Diesel		12742	353	480	01.10-	■	■
G 480, R 480 (DC 13.110)		Diesel		12742	353	480	01.10-	■	■
G 480, R 480 (DC 13.111)		Diesel		12742	353	480	01.10-	■	■
G 480, R 480 (DC 13.07)		Diesel		12742	353	480	08.10-	■	■
G 480, R 480 (DC 13.110)		Diesel		12742	353	480	08.10-	■	■
G 480, R 480 (DC 13.111)		Diesel		12742	353	480	08.10-	■	■
P 480, R 480 (DC 13.07)		Diesel		12742	353	480	04.10-	■	■
G 490, R 490 (DC 13.125)		Diesel		12742	360	490	09.13-	■	■
P 500, R 500 (DC 16.06)		Diesel		15600	368	500	07.09-	■	■
R 560, P 560 (DC 16.05)		Diesel		15600	412	560	07.09-	■	■
P,G,R,T Series 01.03-							Truck Tractor		
P 230, R 230 (DC 9.13)		Diesel		8867	169	230	09.04-	■	■
P 230, R 230 (DC 9.16)		Diesel		8867	169	230	09.04-	■	■
P 230, R 230 (DC 9.16)		Diesel		8867	169	230	09.05-	■	■
P 230, R 230 (DC 9.16)		Diesel		8867	169	230	09.05-	■	■
P 270, R 270 (DC 9.12)		Diesel		8867	198	270	09.04-	■	■
P 270, R 270 (DC 9.17)		Diesel		8867	198	270	09.04-	■	■
P 270, R 270 (DC 9.17)	01/06-	Diesel		8867	198	269	04.04-	■	■
P 270, R 270 (DC 9.17)	01/06-	Diesel		8867	198	269	04.04-	■	■
P 310, R 310 (DC 9.11)		Diesel		8867	228	310	09.04-	■	■
P 310, R 310 (DC 9.18)		Diesel		8867	228	310	09.04-	■	■
P 310, R 310 (DC 9.18)		Diesel		8867	228	310	04.04-	■	■
P 310, R 310 (DC 9.18)		Diesel		8867	228	310	04.04-	■	■
G 230, P 230 (DC 9.30)		Diesel		9291	169	230	09.07-	■	■
G 230, P 230 (DC 9.35)		Diesel		9291	169	230	09.07-	■	■
G 230, P 230 (DC 9.30)		Diesel		9291	169	230	09.07-	■	■
G 230, P 230 (DC 9.35)		Diesel		9291	169	230	09.07-	■	■
G 230, P 230 (DC 9.30)		Diesel		9291	169	230	09.07-	■	■
G 230, P 230 (DC 9.35)		Diesel		9291	169	230	09.07-	■	■
G 340, P 340, R 340 (DC 11.08)		Diesel		10600	250	340	09.04-	■	■
P 340, R 340 (DC 11.08)		Diesel		10600	250	340	09.04-	■	■
P 380, R380 (DC 11.09)		Diesel		10600	279	380	09.04-	■	■

LISTA DE APLICACIONES - BUYERS GUIDE

P 380, R380 (DC 11.09)		Diesel		10600	279	380	09.04-	■	■
G 340, R 340 (DC 12.10)		Diesel		11700	250	340	08.06-	■	■
P 340, R 340 (DC 12.10)		Diesel		11700	250	340	08.06-	■	■
P 340, R 340 (DC 12.10)		Diesel		11700	250	340	10.06-	■	■
P 340, R 340 (DC 12.10)		Diesel		11700	250	340	04.04-	■	■
G 380, P 380 (DC 12.13)		Diesel		11700	279	380	04.04-	■	■
G 380, P 380, R 380 (DC 12.13)		Diesel		11700	279	380	04.04-	■	■
G 380, P 380, R 380 (DC 12.13)		Diesel		11700	280	380	04.04-	■	■
P 380, R380 (DC 12.13)		Diesel		11700	280	380	10.06-	■	■
P 380, R380 (DC 12.13)		Diesel		11700	280	380	10.06-	■	■
P 380, R380 (DC 12.18)		Diesel		11705	279	379	04.04-	■	■
G 380, P 380, R 380 (DC 12.17)		Diesel		11716	279	379	03.08-	■	■
G 380, P 380, R 380 (DC 12.18)		Diesel		11716	279	379	03.08-	■	■
P 380, R380 (DC 12.18)		Diesel		11716	279	380	04.04-	■	■
G 420, P 420, R 420 (DC 12.14)		Diesel		11716	309	420	03.04-	■	■
G 420, P 420, R 420 (DC 12.15)		Diesel		11716	309	420	03.04-	■	■
G 420, P 420, R 420 (DT 12.11)		Diesel		11716	309	420	03.04-	■	■
G 420, P 420, R 420 (DT 12.12)		Diesel		11716	309	420	03.04-	■	■
G 420, R 420 (DT 12.12)		Diesel		11716	309	420	01.08-	■	■
P 420, R 420 (DC 12.14)		Diesel		11716	309	420	08.06-	■	■
P 420, R 420 (DT 12.12)		Diesel		11716	309	420	08.06-	■	■
P 420, R 420 (DC 12.14)		Diesel		11716	309	420	03.04-	■	■
P 420, R 420 (DC 12.15)		Diesel		11716	309	420	03.04-	■	■
P 420, R 420 (DT 12.12)		Diesel		11716	309	420	03.04-	■	■
P 420, R 420 (DC 12.14)		Diesel		11716	309	420	04.04-	■	■
P 420, R 420 (DC 12.15)		Diesel		11716	309	420	04.04-	■	■
P 420, R 420 (DT 12.12)		Diesel		11716	309	420	04.04-	■	■
P 420, R 420 (DC 12.14)		Diesel		11716	309	420	03.04-	■	■
P 420, R 420 (DC 12.15)		Diesel		11716	309	420	03.04-	■	■
P 420, R 420 (DT 12.11)		Diesel		11716	309	420	03.04-	■	■
P 420, R 420 (DC 12.14)		Diesel		11716	309	420	03.04-	■	■
P 420, R 420 (DC 12.15)		Diesel		11716	309	420	03.04-	■	■
P 420, R 420 (DT 12.12)		Diesel		11716	309	420	03.04-	■	■
G 470, P 470, R 470 (DT 12.06)		Diesel		11716	345	470	09.05-	■	■
P 470, R 470 (DT 12.03)		Diesel		11716	345	470	03.04-	■	■
P 470, R 470 (DT 12.06)		Diesel		11716	345	470	03.04-	■	■
G 480, R 480 (DT 12.17)		Diesel		11716	353	480	03.08-	■	■
G 480, R 480 (DT 12.17)		Diesel		11716	353	480	08.06-	■	■
G 480, R 480 (DT 12.17)		Diesel		11716	353	480	01.08-	■	■
P 480, R 480 (DT 12.17)	01/10-	Diesel		11716	353	480	04.04-	■	■
P 480, R 480 (DT 12.17)	01/10-	Diesel		11716	353	480	04.04-	■	■
G 360, P 360, R 360 (DC 13.06)		Diesel		12742	265	360	04.10-	■	■
P 360, R 360 (DC 13.06)		Diesel		12742	265	360	04.10-	■	■
G 400, P 400, R 400 (DC 13.05)		Diesel		12742	294	400	03.08-	■	■
G 400, P 400, R 400 (DC 13.05)		Diesel		12742	294	400	04.10-	■	■
G 400, R 400 (DC 13.05)		Diesel		12742	294	400	03.09-	■	■
G 440, R 440 (DC 13.10)		Diesel		12742	324	441	03.08-	■	■
G 440, R 440 (DC 13.10)		Diesel		12742	324	441	04.10-	■	■
G 480, R 480 (DC 13.07)		Diesel		12742	353	480	03.08-	■	■
G 480, R 480 (DC 13.07)		Diesel		12742	353	480	07.04-	■	■
G 480, R 480 (DC 13.07)		Diesel		12742	353	480	08.10-	■	■

LISTA DE APLICACIONES - BUYERS GUIDE

G 480, R 480 (DC 13.111)	Diesel	12742	353	480	08.10-	■	■
G 480, R 480 (DC 13.07)	Diesel	12742	353	480	08.10-	■	■
G 480, R 480 (DC 13.110)	Diesel	12742	353	480	08.10-	■	■
G 480, R 480 (DC 13.111)	Diesel	12742	353	480	08.10-	■	■
G 480, R 480, P 480 (DC 13.07)	Diesel	12742	353	480	04.10-	■	■
G 490, R 490 (DC 13.125)	Diesel	12742	360	490	09.13-	■	■
G 490, R 490 (DC 13.125)	Diesel	12742	360	490	09.13-	■	■
G 490, R 490 (DC 13.125)	Diesel	12742	360	490	09.13-	■	■
G 490, R 490 (DC 13.125)	Diesel	12742	360	490	09.13-	■	■
P 500, R 500 (DC 16.04)	Diesel	15600	368	500	04.04-	■	■
P 500, R 500 (DC 16.06)	Diesel	15600	368	500	04.04-	■	■
P 500, R 500 (DC 16.09)	Diesel	15600	368	500	04.04-	■	■
P 500, R 500 (DC 16.19)	Diesel	15600	368	500	04.04-	■	■
P 500, R 500 (DC 16.04)	Diesel	15600	368	500	04.04-	■	■
P 500, R 500 (DC 16.06)	Diesel	15600	368	500	04.04-	■	■
P 500, R 500 (DC 16.09)	Diesel	15600	368	500	04.04-	■	■
P 500, R 500 (DC 16.06)	Diesel	15600	368	500	03.04-	■	■
P 500, R 500 (DC 16.09)	Diesel	15600	368	500	03.04-	■	■
P 560, R 560 (DC 16.05)	Diesel	15600	412	560	04.04-	■	■
P 560, R 560 (DC 16.05)	Diesel	15600	412	560	11.06-	■	■
P 560, R 560 (DC 16.18)	Diesel	15600	412	560	11.06-	■	■
P 560, R 560 (DC 16.05)	Diesel	15600	412	560	11.06-	■	■
P 580, R 580 (DC 16.03)	Diesel	15600	426	580	04.04-	■	■
R 580, P 580 (DC 16.03)	Diesel	15600	426	580	07.09-	■	■
P 620, R 620 (DC 16.08)	Diesel	15600	456	620	08.06-	■	■
P 620, R 620 (DC 16.08)	Diesel	15600	456	620	11.06-	■	■
P 620, R 620 (DC 16.17)	Diesel	15600	456	620	11.06-	■	■
P 620, R 620 (DC 16.08)	Diesel	15600	456	620	11.06-	■	■