

LISTA DE APLICACIONES - BUYERS GUIDE

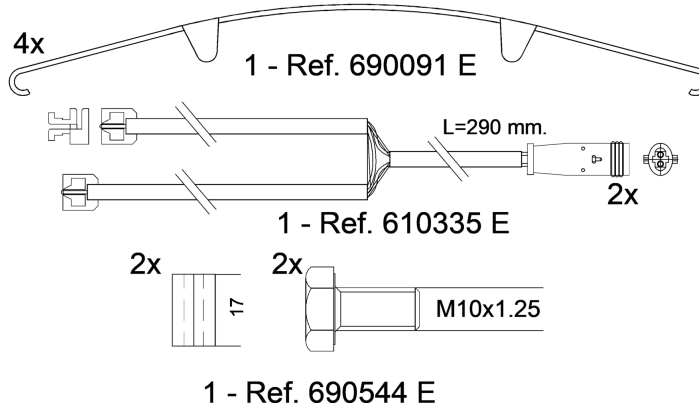
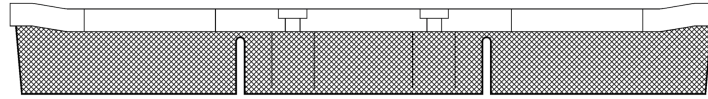
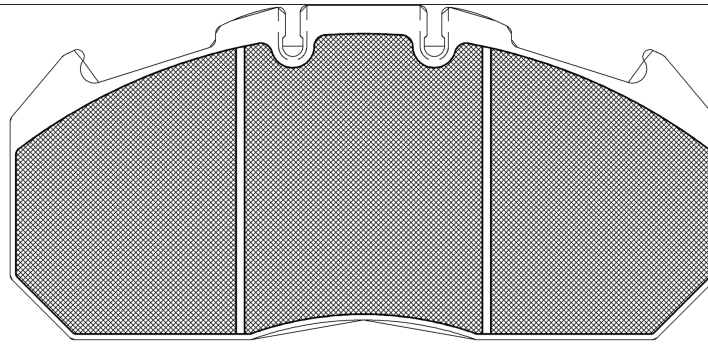
151405-120



Qty: 660

Weight: 11.556

O.E.M.	MAKE
81 50820 5072	MAN
81 50820 6041	MAN
81 50820 6051	MAN



151405-120

E 9 90R-01178/668



Meritor D-Elsa 2

249.4x118x30.25

WVA	FMSI
29131	D1310-8425
29156	
MAKE	
MAN	



Trac.	CC	Kw	CV
-------	----	----	----



MAN

NL 09.88-

Model	Trac.	CC	Kw	CV	Year	Front	Rear
NL 273 (D 2066 LUH 11)	Diesel	10518	199	271	01.06-10.09	■	■
NL 273 (D 2066 LUH 21)	Diesel	10518	199	271	01.06-10.09	■	■

NL 09.88-

Model	Trac.	CC	Kw	CV	Year	Front	Rear
NL 243 (E 2866 DUH 03)	Gasolina	11967	180	245	05.07-12.14	■	■
NL 243 (E 2866 DUH 04)	Gasolina	11967	180	245	05.07-12.14	■	■

SÜ 10.75-

Model	Trac.	CC	Kw	CV	Year	Front	Rear
SÜ 243 (D 0836 LOH 56)	Diesel	6871	176	240	06.05-10.09	■	■
SÜ 263 (D 0836 LOH 62)	Diesel	6871	191	260	06.05-10.09	■	■
SÜ 283 (D 0836 LOH 02)	Diesel	6871	206	280	09.03-	■	■
SÜ 283 (D 0836 LOH 51)	Diesel	6871	206	280	09.03-	■	■
SÜ 283 (D 0836 LOH 55)	Diesel	6871	206	280	09.03-	■	■
SÜ 293 (D 0836 LOH 60)	Diesel	6871	213	290	09.03-	■	■
SÜ 273 (D 2066 LUH 11)	Diesel	10518	198	270	01.06-10.09	■	■
SÜ 273 (D 2066 LUH 21)	Diesel	10518	198	270	01.06-10.09	■	■
SÜ 313 (D 2066 LUH 12)	Diesel	10518	228	310	01.06-10.09	■	■
SÜ 313 (D 2066 LUH 22)	Diesel	10518	228	310	01.06-10.09	■	■
SÜ 320 (D 2066 LUH 32)	Diesel	10518	235	320	09.03-	■	■
SÜ 353 (D 2066 LUH 13)	Diesel	10518	257	350	01.06-10.09	■	■
SÜ 353 (D 2066 LUH 23)	Diesel	10518	257	350	01.06-10.09	■	■
SÜ 360 (D 2066 LUH 33)	Diesel	10518	264	360	05.07-	■	■
SÜ 313 (D 2866 LUH 24)	Diesel	11967	228	310	09.03-	■	■
SÜ 263 (D 2866 LUH 25)	Diesel	11967	265	360	09.03-	■	■

LISTA DE APLICACIONES - BUYERS GUIDE

TGA 03.00-							Concrete Mixer			
26.310, 26.320 (D 2066 LF 04)		Diesel		10518	228	310	06.05-	■	■	
26.310, 26.320 (D 2066 LF 14)		Diesel		10518	228	310	06.05-	■	■	
26.310, 26.320 (D 2066 LF 35)		Diesel		10518	228	310	06.05-	■	■	
26.310, 26.320 (D 2066 LF 39)		Diesel		10518	228	310	06.05-	■	■	
35.310, 35.320 (D 2066 LF 04)		Diesel		10518	228	310	02.04-	■	■	
35.310, 35.320 (D 2066 LF 35)		Diesel		10518	228	310	02.04-	■	■	
35.310, 35.320 (D 2066 LF 39)		Diesel		10518	228	310	02.04-	■	■	
37.310, 37.320 (D 2066 LF 04)		Diesel		10518	228	310	12.04-	■	■	
37.310, 37.320 (D 2066 LF 35)		Diesel		10518	228	310	12.04-	■	■	
37.310, 37.320 (D 2066 LF 39)		Diesel		10518	228	310	12.04-	■	■	
26.350, 26.360 (D 2066 LF 03)		Diesel		10518	257	350	02.04-	■	■	
26.350, 26.360 (D 2066 LF 13)		Diesel		10518	257	350	02.04-	■	■	
26.350, 26.360 (D 2066 LF 33)		Diesel		10518	257	350	02.04-	■	■	
26.350, 26.360 (D 2066 LF 38)		Diesel		10518	257	350	02.04-	■	■	
32.350, 32.360 (D 2066 LF 03)		Diesel		10518	257	350	02.04-	■	■	
32.350, 32.360 (D 2066 LF 13)		Diesel		10518	257	350	02.04-	■	■	
32.350, 32.360 (D 2066 LF 33)		Diesel		10518	257	350	02.04-	■	■	
32.350, 32.360 (D 2066 LF 38)		Diesel		10518	257	350	02.04-	■	■	
33.350 (D 2066 LF 03)		Diesel		10518	257	350	09.07-	■	■	
35.350 (D 2066 LF 03)		Diesel		10518	257	350	07.06-	■	■	
35.350 (D 2066 LF 13)		Diesel		10518	257	350	07.06-	■	■	
35.350, 35.360 (D 2066 LF 03)		Diesel		10518	257	350	02.04-	■	■	
35.350, 35.360 (D 2066 LF 13)		Diesel		10518	257	350	02.04-	■	■	
35.350, 35.360 (D 2066 LF 33)		Diesel		10518	257	350	02.04-	■	■	
35.350, 35.360 (D 2066 LF 38)		Diesel		10518	257	350	02.04-	■	■	
37.350, 37.360 (D 2066 LF 03)		Diesel		10518	257	350	12.04-	■	■	
37.350, 37.360 (D 2066 LF 13)		Diesel		10518	257	350	12.04-	■	■	
37.350, 37.360 (D 2066 LF 33)		Diesel		10518	257	350	12.04-	■	■	
37.350, 37.360 (D 2066 LF 38)		Diesel		10518	257	350	12.04-	■	■	
41.350 (D 2066 LF 03)		Diesel		10518	257	350	09.07-	■	■	
41.350, 41.360 (D 2066 LF 03)		Diesel		10518	257	350	12.04-	■	■	
41.350, 41.360 (D 2066 LF 07)		Diesel		10518	257	350	12.04-	■	■	
41.350, 41.360 (D 2066 LF 13)		Diesel		10518	257	350	12.04-	■	■	
41.350, 41.360 (D 2066 LF 33)		Diesel		10518	257	350	12.04-	■	■	
41.350, 41.360 (D 2066 LF 38)		Diesel		10518	257	350	12.04-	■	■	
33.360 (D 2066 LF 07)		Diesel		10518	265	360	09.07-	■	■	
35.360 (D 2066 LF 38)		Diesel		10518	265	360	07.06-	■	■	
41.360 (D 2066 LF 07)		Diesel		10518	265	360	09.07-	■	■	
26.390, 26.400 (D 2066 LF 02)		Diesel		10518	287	390	05.04-	■	■	
26.390, 26.400 (D 2066 LF 12)		Diesel		10518	287	390	05.04-	■	■	
26.390, 26.400 (D 2066 LF 32)		Diesel		10518	287	390	05.04-	■	■	
26.390, 26.400 (D 2066 LF 37)		Diesel		10518	287	390	05.04-	■	■	
32.390, 32.400 (D 2066 LF 02)		Diesel		10518	287	390	05.04-	■	■	
32.390, 32.400 (D 2066 LF 12)		Diesel		10518	287	390	05.04-	■	■	
32.390, 32.400 (D 2066 LF 32)		Diesel		10518	287	390	05.04-	■	■	
32.390, 32.400 (D 2066 LF 37)		Diesel		10518	287	390	05.04-	■	■	
33.390, 33.400 (D 2066 LF 02)		Diesel		10518	287	390	09.07-	■	■	
33.390, 33.400 (D 2066 LF 06)		Diesel		10518	287	390	09.07-	■	■	
35.390 (D 2066 LF 02)		Diesel		10518	287	390	07.06-	■	■	
35.390 (D 2066 LF 12)		Diesel		10518	287	390	07.06-	■	■	

LISTA DE APLICACIONES - BUYERS GUIDE

35.390, 35.400 (D 2066 LF 02)		Diesel	10518	287	390	02.04-	■	■
35.390, 35.400 (D 2066 LF 12)		Diesel	10518	287	390	02.04-	■	■
35.390, 35.400 (D 2066 LF 32)		Diesel	10518	287	390	02.04-	■	■
35.390, 35.400 (D 2066 LF 37)		Diesel	10518	287	390	02.04-	■	■
37.390, 37.400 (D 2066 LF 02)		Diesel	10518	287	390	12.04-	■	■
37.390, 37.400 (D 2066 LF 12)		Diesel	10518	287	390	12.04-	■	■
37.390, 37.400 (D 2066 LF 32)		Diesel	10518	287	390	12.04-	■	■
37.390, 37.400 (D 2066 LF 37)		Diesel	10518	287	390	12.04-	■	■
41.390 (D 2066 LF 02)		Diesel	10518	287	390	09.07-	■	■
41.390, 41.400 (D 2066 LF 02)		Diesel	10518	287	390	12.04-	■	■
41.390, 41.400 (D 2066 LF 06)		Diesel	10518	287	390	12.04-	■	■
41.390, 41.400 (D 2066 LF 12)		Diesel	10518	287	390	12.04-	■	■
41.390, 41.400 (D 2066 LF 32)		Diesel	10518	287	390	12.04-	■	■
41.390, 41.400 (D 2066 LF 37)		Diesel	10518	287	390	12.04-	■	■
35.400 (D 2066 LF 37)		Diesel	10518	294	400	07.06-	■	■
41.400 (D 2066 LF 06)		Diesel	10518	294	400	09.07-	■	■
26.430, 26.440 (D 2066 LF 01)		Diesel	10518	316	430	05.04-	■	■
26.430, 26.440 (D 2066 LF 11)		Diesel	10518	316	430	05.04-	■	■
26.430, 26.440 (D 2066 LF 31)		Diesel	10518	316	430	05.04-	■	■
26.430, 26.440 (D 2066 LF 36)		Diesel	10518	316	430	05.04-	■	■
32.430, 32.440 (D 2066 LF 01)		Diesel	10518	316	430	05.04-	■	■
32.430, 32.440 (D 2066 LF 11)		Diesel	10518	316	430	05.04-	■	■
32.430, 32.440 (D 2066 LF 31)		Diesel	10518	316	430	05.04-	■	■
32.430, 32.440 (D 2066 LF 36)		Diesel	10518	316	430	05.04-	■	■
33.430 (D 2066 LF 01)		Diesel	10518	316	430	09.07-	■	■
35.430 (D 2066 LF 01)		Diesel	10518	316	430	07.06-	■	■
35.430 (D 2066 LF 11)		Diesel	10518	316	430	07.06-	■	■
35.430, 35.440 (D 2066 LF 01)		Diesel	10518	316	430	02.04-	■	■
35.430, 35.440 (D 2066 LF 11)		Diesel	10518	316	430	02.04-	■	■
35.430, 35.440 (D 2066 LF 31)		Diesel	10518	316	430	02.04-	■	■
35.430, 35.440 (D 2066 LF 36)		Diesel	10518	316	430	02.04-	■	■
37.430, 37.440 (D 2066 LF 01)		Diesel	10518	316	430	12.04-	■	■
37.430, 37.440 (D 2066 LF 11)		Diesel	10518	316	430	12.04-	■	■
37.430, 37.440 (D 2066 LF 31)		Diesel	10518	316	430	12.04-	■	■
37.430, 37.440 (D 2066 LF 36)		Diesel	10518	316	430	12.04-	■	■
41.430 (D 2066 LF 01)		Diesel	10518	316	430	09.07-	■	■
41.430, 41.440 (D 2066 LF 01)		Diesel	10518	316	430	12.04-	■	■
41.430, 41.440 (D 2066 LF 11)		Diesel	10518	316	430	12.04-	■	■
41.430, 41.440 (D 2066 LF 31)		Diesel	10518	316	430	12.04-	■	■
41.430, 41.440 (D 2066 LF 36)		Diesel	10518	316	430	12.04-	■	■
35.440 (D 2066 LF 36)		Diesel	10518	324	440	07.06-	■	■
26.310 (D 2866 LF26)	10/01-	Diesel	11967	228	310	10.00-	■	■
32.310 (D 2866 LF26)		Diesel	11967	228	310	01.02-	■	■
35.310 (D 2866 LF26)		Diesel	11967	228	310	11.03-	■	■
37.310 (D 2866 LF26)		Diesel	11967	228	310	12.04-	■	■
26.360 (D 2866 LF27)		Diesel	11967	265	360	01.01-	■	■
32.360 (D 2866 LF27)		Diesel	11967	265	360	01.02-	■	■
33.360 (D 2866 LF27)		Diesel	11967	265	360	01.01-	■	■
35.360 (D 2866 LF27)		Diesel	11967	265	360	11.03-	■	■
37.360 (D 2866 LF27)		Diesel	11967	265	360	12.04-	■	■
41.360 (D 2866 LF27)		Diesel	11967	265	360	12.04-	■	■

LISTA DE APLICACIONES - BUYERS GUIDE

26.410 (D 2866 LF28)		Diesel		11967	301	410	01.01-	■	■
32.410 (D 2866 LF28)		Diesel		11967	301	410	01.02-	■	■
33.410 (D 2866 LF28)	10/01-	Diesel		11967	301	410	10.00-	■	■
35.410 (D 2866 LF28)		Diesel		11967	301	410	11.03-	■	■
37.410 (D 2866 LF28)		Diesel		11967	301	410	12.04-	■	■
41.410 (D 2866 LF28)		Diesel		11967	301	410	12.04-	■	■
33.440 (D 2676 LF 04)		Diesel		12419	324	440	09.07-	■	■
41.440 (D 2676 LF 04)		Diesel		12419	324	440	12.04-	■	■
41.440 (D 2676 LF 04)		Diesel		12419	324	440	09.07-	■	■
26.480 (D 2676 LF 01)		Diesel		12419	353	480	02.06-	■	■
26.480 (D 2676 LF 05)		Diesel		12419	353	480	02.06-	■	■
32.480 (D 2676 LF 01)		Diesel		12419	353	480	02.06-	■	■
32.480 (D 2676 LF 05)		Diesel		12419	353	480	02.06-	■	■
33.480 (D 2676 LF 02)		Diesel		12419	353	480	09.07-	■	■
33.480 (D 2676 LF 03)		Diesel		12419	353	480	09.07-	■	■
35.480 (D 2676 LF 01)		Diesel		12419	353	480	02.04-	■	■
35.480 (D 2676 LF 05)		Diesel		12419	353	480	02.04-	■	■
35.480 (D 2676 LF 05)		Diesel		12419	353	480	07.06-	■	■
37.480 (D 2676 LF 01)		Diesel		12419	353	480	02.06-	■	■
37.480 (D 2676 LF 05)		Diesel		12419	353	480	02.06-	■	■
41.480 (D 2676 LF 01)		Diesel		12419	353	480	02.06-	■	■
41.480 (D 2676 LF 03)		Diesel		12419	353	480	02.06-	■	■
41.480 (D 2676 LF 05)		Diesel		12419	353	480	02.06-	■	■
41.480 (D 2676 LF 02)		Diesel		12419	353	480	09.07-	■	■
41.480 (D 2676 LF 03)		Diesel		12419	353	480	09.07-	■	■
26.460 (D 2876 LF 04)		Diesel		12816	338	460	01.01-	■	■
26.460 (D 2876 LF 07)		Diesel		12816	338	460	01.01-	■	■
32.460 (D 2876 LF 04)		Diesel		12816	338	460	01.02-	■	■
33.460 (D 2876 LF 04)		Diesel		12816	338	460	09.02-	■	■
35.460 (D 2876 LF 04)		Diesel		12816	338	460	11.03-	■	■
37.460 (D 2876 LF 04)		Diesel		12816	338	460	12.04-	■	■
41.460 (D 2876 LF 04)		Diesel		12816	338	460	12.04-	■	■
26.480 (D 2876 LF 12)		Diesel		12816	353	480	09.02-	■	■
26.480 (D 2876 LF 25)		Diesel		12816	353	480	09.02-	■	■
32.480 (D 2876 LF 12)		Diesel		12816	353	480	09.02-	■	■
33.480 (D 2876 LF 12)		Diesel		12816	353	480	09.02-	■	■
35.480 (D 2876 LF 12)		Diesel		12816	353	480	11.03-	■	■
37.480 (D 2876 LF 12)		Diesel		12816	353	480	12.04-	■	■
41.480 (D 2876 LF 12)		Diesel		12816	353	480	12.04-	■	■
35.530 (D 2876 LF 13)		Diesel		12816	390	530	04.04-	■	■
37.530 (D 2876 LF 13)		Diesel		12816	390	530	12.04-	■	■
41.530 (D 2876 LF 13)		Diesel		12816	390	530	12.04-	■	■
TGA 03.00-							Dump Truck		
18.310, 18.320 (D 2066 LF 04)		Diesel		10518	228	310	05.04-	■	■
18.310, 18.320 (D 2066 LF 14)		Diesel		10518	228	310	05.04-	■	■
18.310, 18.320 (D 2066 LF 35)		Diesel		10518	228	310	05.04-	■	■
18.310, 18.320 (D 2066 LF 39)		Diesel		10518	228	310	05.04-	■	■
18.310, 18.320 (D 2066 LF 04)		Diesel		10518	228	310	05.04-	■	■
18.310, 18.320 (D 2066 LF 14)		Diesel		10518	228	310	05.04-	■	■
18.310, 18.320 (D 2066 LF 35)		Diesel		10518	228	310	05.04-	■	■
18.310, 18.320 (D 2066 LF 39)		Diesel		10518	228	310	05.04-	■	■

LISTA DE APLICACIONES - BUYERS GUIDE

26.310, 26.320 (D 2066 LF 04)		Diesel		10518	228	310	05.04-	■	■
26.310, 26.320 (D 2066 LF 14)		Diesel		10518	228	310	05.04-	■	■
26.310, 26.320 (D 2066 LF 35)		Diesel		10518	228	310	05.04-	■	■
26.310, 26.320 (D 2066 LF 39)		Diesel		10518	228	310	05.04-	■	■
26.310, 26.320 (D 2066 LF 04)		Diesel		10518	228	310	06.05-	■	■
26.310, 26.320 (D 2066 LF 35)		Diesel		10518	228	310	06.05-	■	■
26.310, 26.320 (D 2066 LF 39)		Diesel		10518	228	310	06.05-	■	■
35.310, 35.320 (D 2066 LF 04)		Diesel		10518	228	310	02.04-	■	■
35.310, 35.320 (D 2066 LF 35)		Diesel		10518	228	310	02.04-	■	■
35.310, 35.320 (D 2066 LF 39)		Diesel		10518	228	310	02.04-	■	■
37.310, 37.320 (D 2066 LF 04)		Diesel		10518	228	310	12.04-	■	■
37.310, 37.320 (D 2066 LF 35)		Diesel		10518	228	310	12.04-	■	■
37.310, 37.320 (D 2066 LF 39)		Diesel		10518	228	310	12.04-	■	■
18.350, 18.360 (D 2066 LF 03)		Diesel		10518	257	350	05.04-	■	■
18.350, 18.360 (D 2066 LF 13)		Diesel		10518	257	350	05.04-	■	■
18.350, 18.360 (D 2066 LF 33)		Diesel		10518	257	350	05.04-	■	■
18.350, 18.360 (D 2066 LF 38)		Diesel		10518	257	350	05.04-	■	■
18.350, 18.360 (D 2066 LF 03)		Diesel		10518	257	350	05.04-	■	■
18.350, 18.360 (D 2066 LF 13)		Diesel		10518	257	350	05.04-	■	■
18.350, 18.360 (D 2066 LF 33)		Diesel		10518	257	350	05.04-	■	■
18.350, 18.360 (D 2066 LF 38)		Diesel		10518	257	350	05.04-	■	■
26.350, 26.360 (D 2066 LF 03)		Diesel		10518	257	350	05.04-	■	■
26.350, 26.360 (D 2066 LF 13)		Diesel		10518	257	350	05.04-	■	■
26.350, 26.360 (D 2066 LF 33)		Diesel		10518	257	350	05.04-	■	■
26.350, 26.360 (D 2066 LF 38)		Diesel		10518	257	350	05.04-	■	■
28.350 (D 2066 LF 03)		Diesel		10518	257	350	07.06-	■	■
28.350 (D 2066 LF 13)		Diesel		10518	257	350	07.06-	■	■
33.350, 33.360 (D 2066 LF 03)		Diesel		10518	257	350	05.04-	■	■
33.350, 33.360 (D 2066 LF 07)		Diesel		10518	257	350	05.04-	■	■
33.350, 33.360 (D 2066 LF 13)		Diesel		10518	257	350	05.04-	■	■
33.350, 33.360 (D 2066 LF 33)		Diesel		10518	257	350	05.04-	■	■
33.350, 33.360 (D 2066 LF 38)		Diesel		10518	257	350	05.04-	■	■
33.350, 33.360 (D 2066 LF 03)		Diesel		10518	257	350	06.05-	■	■
33.350, 33.360 (D 2066 LF 07)		Diesel		10518	257	350	06.05-	■	■
33.350, 33.360 (D 2066 LF 13)		Diesel		10518	257	350	06.05-	■	■
33.350, 33.360 (D 2066 LF 33)		Diesel		10518	257	350	06.05-	■	■
33.350, 33.360 (D 2066 LF 38)		Diesel		10518	257	350	06.05-	■	■
35.350 (D 2066 LF 03)		Diesel		10518	257	350	07.06-	■	■
35.350 (D 2066 LF 13)		Diesel		10518	257	350	07.06-	■	■
35.350, 35.360 (D 2066 LF 03)		Diesel		10518	257	350	02.04-	■	■
35.350, 35.360 (D 2066 LF 13)		Diesel		10518	257	350	02.04-	■	■
35.350, 35.360 (D 2066 LF 33)		Diesel		10518	257	350	02.04-	■	■
35.350, 35.360 (D 2066 LF 38)		Diesel		10518	257	350	02.04-	■	■
37.350, 37.360 (D 2066 LF 03)		Diesel		10518	257	350	12.04-	■	■
37.350, 37.360 (D 2066 LF 13)		Diesel		10518	257	350	12.04-	■	■
37.350, 37.360 (D 2066 LF 33)		Diesel		10518	257	350	12.04-	■	■
37.350, 37.360 (D 2066 LF 38)		Diesel		10518	257	350	12.04-	■	■
41.350, 41.360 (D 2066 LF 03)		Diesel		10518	257	350	12.04-	■	■
41.350, 41.360 (D 2066 LF 07)		Diesel		10518	257	350	12.04-	■	■
41.350, 41.360 (D 2066 LF 13)		Diesel		10518	257	350	12.04-	■	■
41.350, 41.360 (D 2066 LF 33)		Diesel		10518	257	350	12.04-	■	■

LISTA DE APLICACIONES - BUYERS GUIDE

41.350, 41.360 (D 2066 LF 38)	Diesel	10518	257	350	12.04-	■	■
28.360 (D 2066 LF 38)	Diesel	10518	265	360	07.06-	■	■
35.360 (D 2066 LF 38)	Diesel	10518	265	360	07.06-	■	■
18.390, 18.400 (D 2066 LF 02)	Diesel	10518	287	390	05.04-	■	■
18.390, 18.400 (D 2066 LF 12)	Diesel	10518	287	390	05.04-	■	■
18.390, 18.400 (D 2066 LF 32)	Diesel	10518	287	390	05.04-	■	■
18.390, 18.400 (D 2066 LF 37)	Diesel	10518	287	390	05.04-	■	■
18.390, 18.400 (D 2066 LF 02)	Diesel	10518	287	390	05.04-	■	■
18.390, 18.400 (D 2066 LF 12)	Diesel	10518	287	390	05.04-	■	■
18.390, 18.400 (D 2066 LF 32)	Diesel	10518	287	390	05.04-	■	■
18.390, 18.400 (D 2066 LF 37)	Diesel	10518	287	390	05.04-	■	■
26.390, 26.400 (D 2066 LF 02)	Diesel	10518	287	390	05.04-	■	■
26.390, 26.400 (D 2066 LF 12)	Diesel	10518	287	390	05.04-	■	■
26.390, 26.400 (D 2066 LF 32)	Diesel	10518	287	390	05.04-	■	■
26.390, 26.400 (D 2066 LF 37)	Diesel	10518	287	390	05.04-	■	■
28.390 (D 2066 LF 02)	Diesel	10518	287	390	07.06-	■	■
28.390 (D 2066 LF 12)	Diesel	10518	287	390	07.06-	■	■
33.390, 33.400 (D 2066 LF 02)	Diesel	10518	287	390	05.04-	■	■
33.390, 33.400 (D 2066 LF 06)	Diesel	10518	287	390	05.04-	■	■
33.390, 33.400 (D 2066 LF 12)	Diesel	10518	287	390	05.04-	■	■
33.390, 33.400 (D 2066 LF 32)	Diesel	10518	287	390	05.04-	■	■
33.390, 33.400 (D 2066 LF 37)	Diesel	10518	287	390	05.04-	■	■
35.390 (D 2066 LF 02)	Diesel	10518	287	390	02.04-	■	■
35.390 (D 2066 LF 12)	Diesel	10518	287	390	02.04-	■	■
35.390 (D 2066 LF 02)	Diesel	10518	287	390	07.06-	■	■
35.390 (D 2066 LF 12)	Diesel	10518	287	390	07.06-	■	■
35.390, 35.400 (D 2066 LF 02)	Diesel	10518	287	390	02.04-	■	■
35.390, 35.400 (D 2066 LF 12)	Diesel	10518	287	390	02.04-	■	■
35.390, 35.400 (D 2066 LF 32)	Diesel	10518	287	390	02.04-	■	■
35.390, 35.400 (D 2066 LF 37)	Diesel	10518	287	390	02.04-	■	■
37.390, 37.400 (D 2066 LF 02)	Diesel	10518	287	390	12.04-	■	■
37.390, 37.400 (D 2066 LF 12)	Diesel	10518	287	390	12.04-	■	■
37.390, 37.400 (D 2066 LF 32)	Diesel	10518	287	390	12.04-	■	■
37.390, 37.400 (D 2066 LF 37)	Diesel	10518	287	390	12.04-	■	■
40.390, 40.400 (D 2066 LF 02)	Diesel	10518	287	390	06.05-	■	■
40.390, 40.400 (D 2066 LF 06)	Diesel	10518	287	390	06.05-	■	■
41.390 (D 2066 LF 02)	Diesel	10518	287	390	12.04-	■	■
41.390, 41.400 (D 2066 LF 02)	Diesel	10518	287	390	12.04-	■	■
41.390, 41.400 (D 2066 LF 06)	Diesel	10518	287	390	12.04-	■	■
41.390, 41.400 (D 2066 LF 12)	Diesel	10518	287	390	12.04-	■	■
41.390, 41.400 (D 2066 LF 32)	Diesel	10518	287	390	12.04-	■	■
41.390, 41.400 (D 2066 LF 37)	Diesel	10518	287	390	12.04-	■	■
28.400 (D 2066 LF 37)	Diesel	10518	294	400	07.06-	■	■
35.400 (D 2066 LF 37)	Diesel	10518	294	400	07.06-	■	■
35.400 (D 2066 LF 37)	Diesel	10518	294	400	02.04-	■	■
18.430, 18.440 (D 2066 LF 01)	Diesel	10518	316	430	05.04-	■	■
18.430, 18.440 (D 2066 LF 11)	Diesel	10518	316	430	05.04-	■	■
18.430, 18.440 (D 2066 LF 31)	Diesel	10518	316	430	05.04-	■	■
18.430, 18.440 (D 2066 LF 36)	Diesel	10518	316	430	05.04-	■	■
18.430, 18.440 (D 2066 LF 01)	Diesel	10518	316	430	05.04-	■	■
18.430, 18.440 (D 2066 LF 11)	Diesel	10518	316	430	05.04-	■	■

LISTA DE APLICACIONES - BUYERS GUIDE

18.430, 18.440 (D 2066 LF 31)		Diesel		10518	316	430	05.04-	■	■
18.430, 18.440 (D 2066 LF 36)		Diesel		10518	316	430	05.04-	■	■
26.430, 26.440 (D 2066 LF 01)		Diesel		10518	316	430	05.04-	■	■
26.430, 26.440 (D 2066 LF 11)		Diesel		10518	316	430	05.04-	■	■
26.430, 26.440 (D 2066 LF 31)		Diesel		10518	316	430	05.04-	■	■
26.430, 26.440 (D 2066 LF 36)		Diesel		10518	316	430	05.04-	■	■
28.430 (D 2066 LF 01)		Diesel		10518	316	430	07.06-	■	■
28.430 (D 2066 LF 11)		Diesel		10518	316	430	07.06-	■	■
33.430, 33.440 (D 2066 LF 01)		Diesel		10518	316	430	05.04-	■	■
33.430, 33.440 (D 2066 LF 11)		Diesel		10518	316	430	05.04-	■	■
33.430, 33.440 (D 2066 LF 31)		Diesel		10518	316	430	05.04-	■	■
33.430, 33.440 (D 2066 LF 36)		Diesel		10518	316	430	05.04-	■	■
35.430 (D 2066 LF 01)		Diesel		10518	316	430	07.06-	■	■
35.430 (D 2066 LF 11)		Diesel		10518	316	430	07.06-	■	■
35.430 (D 2066 LF 01)		Diesel		10518	316	430	07.06-	■	■
35.430 (D 2066 LF 11)		Diesel		10518	316	430	07.06-	■	■
35.430, 35.440 (D 2066 LF 01)		Diesel		10518	316	430	02.04-	■	■
35.430, 35.440 (D 2066 LF 11)		Diesel		10518	316	430	02.04-	■	■
35.430, 35.440 (D 2066 LF 31)		Diesel		10518	316	430	02.04-	■	■
35.430, 35.440 (D 2066 LF 36)		Diesel		10518	316	430	02.04-	■	■
37.430, 37.440 (D 2066 LF 01)		Diesel		10518	316	430	12.04-	■	■
37.430, 37.440 (D 2066 LF 11)		Diesel		10518	316	430	12.04-	■	■
37.430, 37.440 (D 2066 LF 31)		Diesel		10518	316	430	12.04-	■	■
37.430, 37.440 (D 2066 LF 36)		Diesel		10518	316	430	12.04-	■	■
40.430 (D 2066 LF 01)		Diesel		10518	316	430	06.05-	■	■
41.430 (D 2066 LF 01)		Diesel		10518	316	430	12.04-	■	■
41.430 (D 2066 LF 11)		Diesel		10518	316	430	12.04-	■	■
41.430 (D 2066 LF 11)		Diesel		10518	316	430	07.06-	■	■
41.430, 41.440 (D 2066 LF 01)		Diesel		10518	316	430	12.04-	■	■
41.430, 41.440 (D 2066 LF 11)		Diesel		10518	316	430	12.04-	■	■
41.430, 41.440 (D 2066 LF 31)		Diesel		10518	316	430	12.04-	■	■
41.430, 41.440 (D 2066 LF 36)		Diesel		10518	316	430	12.04-	■	■
28.440 (D 2066 LF 36)		Diesel		10518	324	440	01.04-10.08	■	■
35.440 (D 2066 LF 36)		Diesel		10518	324	440	07.06-	■	■
35.440		Diesel		10518	324	440	07.06-	■	■
41.440 (D 2066 LF 36)		Diesel		10518	324	440	07.06-	■	■
41.440 (D 2066 LF 36)		Diesel		10518	324	440	07.06-	■	■
18.310, 18.320 (D 2866 LF26)	10/01-	Diesel		11967	228	310	12.00-	■	■
18.310, 18.320 (D 2866 LF36)	10/01-	Diesel		11967	228	310	12.00-	■	■
26.310 (D 2866 LF26)		Diesel		11967	228	310	09.02-	■	■
32.310 (D 2866 LF26)		Diesel		11967	228	310	01.02-	■	■
35.310 (D 2866 LF26)		Diesel		11967	228	310	06.03-	■	■
37.310 (D 2866 LF26)		Diesel		11967	228	310	12.04-	■	■
18.360 (D 2866 LF27)	10/01-	Diesel		11967	265	360	12.00-	■	■
18.360 (D 2866 LF37)	10/01-	Diesel		11967	265	360	12.00-	■	■
26.360 (D 2866 LF27)		Diesel		11967	265	360	09.02-	■	■
26.360 (D 2866 LF37)		Diesel		11967	265	360	09.02-	■	■
28.360 (D 2866 LF27)		Diesel		11967	265	360	07.06-	■	■
32.360 (D 2866 LF27)		Diesel		11967	265	360	01.02-	■	■
33.360 (D 2866 LF27)		Diesel		11967	265	360	01.01-	■	■
33.360 (D 2866 LF37)		Diesel		11967	265	360	01.01-	■	■

LISTA DE APLICACIONES - BUYERS GUIDE

33.360 (D 2866 LF27)		Diesel		11967	265	360	09.02-	■	■
33.360 (D 2866 LF37)		Diesel		11967	265	360	09.02-	■	■
35.360 (D 2866 LF27)		Diesel		11967	265	360	10.03-	■	■
37.360 (D 2866 LF27)		Diesel		11967	265	360	12.04-	■	■
41.360 (D 2866 LF37)		Diesel		11967	265	360	09.03-	■	■
18.410, 18.420 (D 2866 LF28)	10/01-	Diesel		11967	301	410	12.00-	■	■
18.410, 18.420 (D 2866 LF32)	10/01-	Diesel		11967	301	410	12.00-	■	■
26.410 (D 2866 LF28)		Diesel		11967	301	410	09.01-	■	■
26.410 (D 2866 LF32)		Diesel		11967	301	410	09.01-	■	■
26.410 (D 2866 LF28)		Diesel		11967	301	410	02.02-	■	■
28.410 (D 2866 LF28)		Diesel		11967	301	410	07.06-	■	■
32.410 (D 2866 LF28)		Diesel		11967	301	410	01.02-	■	■
33.410 (D 2866 LF28)	10/01-	Diesel		11967	301	410	10.00-	■	■
33.410 (D 2866 LF32)	10/01-	Diesel		11967	301	410	10.00-	■	■
33.410 (D 2866 LF28)		Diesel		11967	301	410	09.02-	■	■
33.410 (D 2866 LF32)		Diesel		11967	301	410	09.02-	■	■
35.410 (D 2866 LF28)		Diesel		11967	301	410	10.03-	■	■
35.410 (D 2866 LF28)		Diesel		11967	301	410	07.06-	■	■
35.410 (D 2866 LF28)		Diesel		11967	301	410	07.06-	■	■
37.410 (D 2866 LF28)		Diesel		11967	301	410	12.04-	■	■
40.410 (D 2866 LF28)		Diesel		11967	301	410	04.04-	■	■
40.410 (D 2866 LF32)		Diesel		11967	301	410	04.04-	■	■
41.410 (D 2866 LF28)		Diesel		11967	301	410	09.03-	■	■
41.410 (D 2866 LF32)		Diesel		11967	301	410	09.03-	■	■
41.410 (D 2866 LF28)		Diesel		11967	301	410	07.06-	■	■
41.410 (D 2866 LF28)		Diesel		11967	301	410	07.06-	■	■
33.440 (D 2676 LF 04)		Diesel		12419	324	440	06.05-	■	■
40.440 (D 2676 LF 04)		Diesel		12419	324	440	06.05-	■	■
41.440 (D 2676 LF 04)		Diesel		12419	324	440	12.04-	■	■
18.480 (D 2676 LF 01)		Diesel		12419	353	480	01.06-	■	■
18.480 (D 2676 LF 05)		Diesel		12419	353	480	01.06-	■	■
26.480 (D 2676 LF 01)		Diesel		12419	353	480	02.06-	■	■
26.480 (D 2676 LF 05)		Diesel		12419	353	480	02.06-	■	■
28.480 (D 2676 LF 05)		Diesel		12419	353	480	07.06-	■	■
33.480 (D 2676 LF 01)		Diesel		12419	353	480	01.06-	■	■
33.480 (D 2676 LF 02)		Diesel		12419	353	480	01.06-	■	■
33.480 (D 2676 LF 03)		Diesel		12419	353	480	01.06-	■	■
33.480 (D 2676 LF 05)		Diesel		12419	353	480	01.06-	■	■
35.480 (D 2676 LF 01)		Diesel		12419	353	480	02.04-	■	■
35.480 (D 2676 LF 05)		Diesel		12419	353	480	02.04-	■	■
35.480 (D 2676 LF 02)		Diesel		12419	353	480	07.06-	■	■
35.480 (D 2676 LF 05)		Diesel		12419	353	480	07.06-	■	■
35.480 (D 2676 LF 05)		Diesel		12419	353	480	07.06-	■	■
37.480 (D 2676 LF 01)		Diesel		12419	353	480	02.06-	■	■
37.480 (D 2676 LF 05)		Diesel		12419	353	480	02.06-	■	■
40.480 (D 2676 LF 02)		Diesel		12419	353	480	06.05-	■	■
40.480 (D 2676 LF 03)		Diesel		12419	353	480	06.05-	■	■
41.480 (D 2676 LF 01)		Diesel		12419	353	480	02.06-	■	■
41.480 (D 2676 LF 02)		Diesel		12419	353	480	02.06-	■	■
41.480 (D 2676 LF 03)		Diesel		12419	353	480	02.06-	■	■
41.480 (D 2676 LF 05)		Diesel		12419	353	480	02.06-	■	■

LISTA DE APLICACIONES - BUYERS GUIDE

41.480 (D 2676 LF 02)		Diesel		12419	353	480	07.06-	■	■
41.480 (D 2676 LF 05)		Diesel		12419	353	480	07.06-	■	■
41.480 (D 2676 LF 03)		Diesel		12419	353	480	12.08-	■	■
41.480 (D 2676 LF 05)		Diesel		12419	353	480	07.06-	■	■
18.460 (D 2876 LF 04)	10/01-	Diesel		12816	338	460	12.00-	■	■
18.460 (D 2876 LF 07)	10/01-	Diesel		12816	338	460	12.00-	■	■
26.460 (D 2876 LF 04)		Diesel		12816	338	460	01.01-	■	■
26.460 (D 2876 LF 07)		Diesel		12816	338	460	01.01-	■	■
32.460 (D 2876 LF 04)		Diesel		12816	338	460	01.02-	■	■
33.460 (D 2876 LF 04)		Diesel		12816	338	460	09.02-	■	■
33.460 (D 2876 LF 07)		Diesel		12816	338	460	09.02-	■	■
35.460 (D 2876 LF 04)		Diesel		12816	338	460	10.03-	■	■
37.460 (D 2876 LF 04)		Diesel		12816	338	460	12.04-	■	■
40.460 (D 2876 LF 07)		Diesel		12816	338	460	04.04-	■	■
41.460 (D 2876 LF 07)		Diesel		12816	338	460	09.03-	■	■
18.480 (D 2876 LF 12)		Diesel		12816	353	480	09.02-	■	■
26.480 (D 2876 LF 12)		Diesel		12816	353	480	09.02-	■	■
32.480 (D 2876 LF 12)		Diesel		12816	353	480	09.02-	■	■
33.480 (D 2876 LF 12)		Diesel		12816	353	480	09.02-	■	■
33.480 (D 2876 LF 25)		Diesel		12816	353	480	09.02-	■	■
33.480 (D 2876 LF 12)		Diesel		12816	353	480	09.02-	■	■
33.480 (D 2876 LF 25)		Diesel		12816	353	480	09.02-	■	■
35.480 (D 2876 LF 12)		Diesel		12816	353	480	10.03-	■	■
35.480 (D 2876 LF 12)		Diesel		12816	353	480	07.06-	■	■
35.480 (D 2876 LF 12)		Diesel		12816	353	480	07.06-	■	■
37.480 (D 2876 LF 12)		Diesel		12816	353	480	12.04-	■	■
40.480 (D 2876 LF 12)		Diesel		12816	353	480	04.04-	■	■
40.480 (D 2876 LF 25)		Diesel		12816	353	480	04.04-	■	■
41.480 (D 2876 LF 12)		Diesel		12816	353	480	06.05-	■	■
41.480 (D 2876 LF 25)		Diesel		12816	353	480	06.05-	■	■
41.480 (D 2876 LF 12)		Diesel		12816	353	480	07.06-	■	■
41.480 (D 2876 LF 12)		Diesel		12816	353	480	07.06-	■	■
41.480 (D 2876 LF 12)		Diesel		12816	353	480	07.06-	■	■
41.530 (D 2876 LF 12)		Diesel		12816	353	480	07.06-	■	■
26.530 (D 2876 LF 13)		Diesel		12816	390	530	09.02-	■	■
28.530 (D 2876 LF 13)		Diesel		12816	390	530	07.06-	■	■
33.530 (D 2876 LF 13)		Diesel		12816	390	530	09.02-	■	■
33.530 (D 2876 LF 13)		Diesel		12816	390	530	07.03-	■	■
35.530 (D 2876 LF 13)		Diesel		12816	390	530	04.04-	■	■
35.530 (D 2876 LF 13)		Diesel		12816	390	530	07.06-	■	■
35.530 (D 2876 LF 13)		Diesel		12816	390	530	07.06-	■	■
37.530 (D 2876 LF 13)		Diesel		12816	390	530	12.04-	■	■
41.530 (D 2876 LF 13)		Diesel		12816	390	530	07.06-	■	■
41.530 (D 2876 LF 13)		Diesel		12816	390	530	07.06-	■	■
41.530 (D 2876 LF 13)		Diesel		12816	390	530	12.04-	■	■
TGA 03.00-					Municipal Vehicle				
26.310, 26.320 (D 2066 LF 04)		Diesel		10518	228	310	06.05-	■	■
26.310, 26.320 (D 2066 LF 35)		Diesel		10518	228	310	06.05-	■	■
26.310, 26.320 (D 2066 LF 39)		Diesel		10518	228	310	06.05-	■	■
26.310, 26.320 (D 2066 LF 04)		Diesel		10518	228	310	02.04-	■	■
26.310, 26.320 (D 2066 LF 14)		Diesel		10518	228	310	02.04-	■	■

LISTA DE APLICACIONES - BUYERS GUIDE

26.310, 26.320 (D 2066 LF 35)		Diesel		10518	228	310	02.04-	■	■
26.310, 26.320 (D 2066 LF 39)		Diesel		10518	228	310	02.04-	■	■
26.350, 26.360 (D 2066 LF 03)		Diesel		10518	257	350	06.05-	■	■
26.350, 26.360 (D 2066 LF 13)		Diesel		10518	257	350	06.05-	■	■
26.350, 26.360 (D 2066 LF 33)		Diesel		10518	257	350	06.05-	■	■
26.350, 26.360 (D 2066 LF 38)		Diesel		10518	257	350	06.05-	■	■
26.350, 26.360 (D 2066 LF 03)		Diesel		10518	257	350	01.04-	■	■
26.350, 26.360 (D 2066 LF 13)		Diesel		10518	257	350	01.04-	■	■
26.350, 26.360 (D 2066 LF 33)		Diesel		10518	257	350	01.04-	■	■
26.350, 26.360 (D 2066 LF 38)		Diesel		10518	257	350	01.04-	■	■
26.390, 26.400 (D 2066 LF 02)		Diesel		10518	287	390	06.05-	■	■
26.390, 26.400 (D 2066 LF 12)		Diesel		10518	287	390	06.05-	■	■
26.390, 26.400 (D 2066 LF 32)		Diesel		10518	287	390	06.05-	■	■
26.390, 26.400 (D 2066 LF 37)		Diesel		10518	287	390	06.05-	■	■
26.390, 26.400 (D 2066 LF 02)		Diesel		10518	287	390	02.04-	■	■
26.390, 26.400 (D 2066 LF 12)		Diesel		10518	287	390	02.04-	■	■
26.390, 26.400 (D 2066 LF 32)		Diesel		10518	287	390	02.04-	■	■
26.390, 26.400 (D 2066 LF 37)		Diesel		10518	287	390	02.04-	■	■
26.430 (D 2066 LF 01)		Diesel		10518	316	430	12.00-	■	■
26.430 (D 2066 LF 11)		Diesel		10518	316	430	12.00-	■	■
26.430, 26.440		Diesel		10518	316	430	06.05-	■	■
26.440 (D 2066 LF 36)		Diesel		10518	324	440	09.05-	■	■
26.310 (D 2866 LF26)	10/01-	Diesel		11967	228	310	12.00-	■	■
26.310 (D 2866 LF36)	10/01-	Diesel		11967	228	310	12.00-	■	■
26.360 (D 2866 LF27)	10/01-	Diesel		11967	265	360	12.00-	■	■
26.360 (D 2866 LF37)	10/01-	Diesel		11967	265	360	12.00-	■	■
26.410 (D 2866 LF28)	10/01-	Diesel		11967	301	410	12.00-	■	■
26.410 (D 2866 LF32)	10/01-	Diesel		11967	301	410	12.00-	■	■
26.480 (D 2676 LF 01)		Diesel		12419	353	480	02.06-	■	■
26.480 (D 2676 LF 05)		Diesel		12419	353	480	02.06-	■	■
26.480 (D 2676 LF 05)		Diesel		12419	353	480	01.06-	■	■
26.460 (D 2876 LF 04)	10/01-	Diesel		12816	338	460	12.00-	■	■
26.460 (D 2876 LF 07)	10/01-	Diesel		12816	338	460	12.00-	■	■
26.480 (D 2876 LF 12)		Diesel		12816	353	480	09.02-	■	■
TGA 03.00-								Platform/Chassis	
26.280 (D 0836 LF 41)		Diesel		6871	206	280	11.02-	■	■
26.330 (D 0836 LF 44)		Diesel		6871	240	326	11.02-	■	■
18.310, 18.320 (D 2066 LF 04)		Diesel		10518	228	310	05.04-	■	■
18.310, 18.320 (D 2066 LF 14)		Diesel		10518	228	310	05.04-	■	■
18.310, 18.320 (D 2066 LF 28)		Diesel		10518	228	310	05.04-	■	■
18.310, 18.320 (D 2066 LF 35)		Diesel		10518	228	310	05.04-	■	■
18.310, 18.320 (D 2066 LF 39)		Diesel		10518	228	310	05.04-	■	■
18.310, 18.320 (D 2066 LF 04)		Diesel		10518	228	310	05.04-	■	■
18.310, 18.320 (D 2066 LF 14)		Diesel		10518	228	310	05.04-	■	■
18.310, 18.320 (D 2066 LF 35)		Diesel		10518	228	310	05.04-	■	■
18.310, 18.320 (D 2066 LF 39)		Diesel		10518	228	310	05.04-	■	■
26.310, 26.320 (D 2066 LF 04)		Diesel		10518	228	310	05.04-	■	■
26.310, 26.320 (D 2066 LF 14)		Diesel		10518	228	310	05.04-	■	■
26.310, 26.320 (D 2066 LF 28)		Diesel		10518	228	310	05.04-	■	■
26.310, 26.320 (D 2066 LF 35)		Diesel		10518	228	310	05.04-	■	■
26.310, 26.320 (D 2066 LF 39)		Diesel		10518	228	310	05.04-	■	■

LISTA DE APLICACIONES - BUYERS GUIDE

26.310, 26.320 (D 2066 LF 04)	Diesel	10518	228	310	05.04-	■	■
26.310, 26.320 (D 2066 LF 14)	Diesel	10518	228	310	05.04-	■	■
26.310, 26.320 (D 2066 LF 35)	Diesel	10518	228	310	05.04-	■	■
26.310, 26.320 (D 2066 LF 39)	Diesel	10518	228	310	05.04-	■	■
26.310, 26.320 (D 2066 LF 04)	Diesel	10518	228	310	02.04-	■	■
26.310, 26.320 (D 2066 LF 14)	Diesel	10518	228	310	02.04-	■	■
26.310, 26.320 (D 2066 LF 35)	Diesel	10518	228	310	02.04-	■	■
26.310, 26.320 (D 2066 LF 39)	Diesel	10518	228	310	02.04-	■	■
28.310 (D 2066 LF 04)	Diesel	10518	228	310	09.02-	■	■
28.310	Diesel	10518	228	310	07.06-	■	■
28.310, 28.320 (D 2066 LF 04)	Diesel	10518	228	310	07.06-	■	■
28.310, 28.320 (D 2066 LF 14)	Diesel	10518	228	310	07.06-	■	■
28.310, 28.320 (D 2066 LF 28)	Diesel	10518	228	310	07.06-	■	■
28.310, 28.320 (D 2066 LF 39)	Diesel	10518	228	310	07.06-	■	■
28.320 (D 2066 LF 04)	Diesel	10518	228	310	07.06-	■	■
28.320 (D 2066 LF 14)	Diesel	10518	228	310	07.06-	■	■
28.320 (D 2066 LF 28)	Diesel	10518	228	310	07.06-	■	■
28.320 (D 2066 LF 39)	Diesel	10518	228	310	07.06-	■	■
35.310, 35.320 (D 2066 LF 04)	Diesel	10518	228	310	02.04-	■	■
35.310, 35.320 (D 2066 LF 35)	Diesel	10518	228	310	02.04-	■	■
35.310, 35.320 (D 2066 LF 39)	Diesel	10518	228	310	02.04-	■	■
37.310, 37.320 (D 2066 LF 04)	Diesel	10518	228	310	12.04-	■	■
37.310, 37.320 (D 2066 LF 35)	Diesel	10518	228	310	12.04-	■	■
37.310, 37.320 (D 2066 LF 39)	Diesel	10518	228	310	12.04-	■	■
28.320 (D 2066 LF 39)	Diesel	10518	235	320	06.04-	■	■
18.350, 18.360 (D 2066 LF 03)	Diesel	10518	257	350	05.04-	■	■
18.350, 18.360 (D 2066 LF 13)	Diesel	10518	257	350	05.04-	■	■
18.350, 18.360 (D 2066 LF 27)	Diesel	10518	257	350	05.04-	■	■
18.350, 18.360 (D 2066 LF 33)	Diesel	10518	257	350	05.04-	■	■
18.350, 18.360 (D 2066 LF 38)	Diesel	10518	257	350	05.04-	■	■
18.350, 18.360 (D 2066 LF 03)	Diesel	10518	257	350	05.04-	■	■
18.350, 18.360 (D 2066 LF 13)	Diesel	10518	257	350	05.04-	■	■
18.350, 18.360 (D 2066 LF 33)	Diesel	10518	257	350	05.04-	■	■
18.350, 18.360 (D 2066 LF 38)	Diesel	10518	257	350	05.04-	■	■
24.350, 24.360 (D 2066 LF 03)	Diesel	10518	257	350	05.04-	■	■
24.350, 24.360 (D 2066 LF 13)	Diesel	10518	257	350	05.04-	■	■
24.350, 24.360 (D 2066 LF 27)	Diesel	10518	257	350	05.04-	■	■
24.350, 24.360 (D 2066 LF 33)	Diesel	10518	257	350	05.04-	■	■
24.350, 24.360 (D 2066 LF 38)	Diesel	10518	257	350	05.04-	■	■
26.350 (D 2066 LF 03)	Diesel	10518	257	350	05.04-	■	■
26.350 (D 2066 LF 03)	Diesel	10518	257	350	01.04-	■	■
26.350 (D 2066 LF 13)	Diesel	10518	257	350	01.04-	■	■
26.350 (D 2066 LF 13)	Diesel	10518	257	350	06.05-	■	■
26.350, 26.360 (D 2066 LF 03)	Diesel	10518	257	350	05.04-	■	■
26.350, 26.360 (D 2066 LF 13)	Diesel	10518	257	350	05.04-	■	■
26.350, 26.360 (D 2066 LF 27)	Diesel	10518	257	350	05.04-	■	■
26.350, 26.360 (D 2066 LF 33)	Diesel	10518	257	350	05.04-	■	■
26.350, 26.360 (D 2066 LF 38)	Diesel	10518	257	350	05.04-	■	■
26.350, 26.360 (D 2066 LF 03)	Diesel	10518	257	350	05.04-	■	■
26.350, 26.360 (D 2066 LF 13)	Diesel	10518	257	350	05.04-	■	■
26.350, 26.360 (D 2066 LF 33)	Diesel	10518	257	350	05.04-	■	■

LISTA DE APLICACIONES - BUYERS GUIDE

26.350, 26.360 (D 2066 LF 38)	Diesel	10518	257	350	05.04-	■	■
28.350 (D 2066 LF 03)	Diesel	10518	257	350	07.06-	■	■
28.350 (D 2066 LF 13)	Diesel	10518	257	350	07.06-	■	■
28.350, 28.360 (D 2066 LF 03)	Diesel	10518	257	350	06.04-	■	■
28.350, 28.360 (D 2066 LF 13)	Diesel	10518	257	350	06.04-	■	■
28.350, 28.360 (D 2066 LF 27)	Diesel	10518	257	350	06.04-	■	■
28.350, 28.360 (D 2066 LF 38)	Diesel	10518	257	350	06.04-	■	■
28.350, 28.360 (D 2066 LF 03)	Diesel	10518	257	350	07.06-	■	■
28.350, 28.360 (D 2066 LF 13)	Diesel	10518	257	350	07.06-	■	■
28.350, 28.360 (D 2066 LF 38)	Diesel	10518	257	350	07.06-	■	■
32.350, 32.360 (D 2066 LF 03)	Diesel	10518	257	350	05.04-	■	■
32.350, 32.360 (D 2066 LF 13)	Diesel	10518	257	350	05.04-	■	■
32.350, 32.360 (D 2066 LF 33)	Diesel	10518	257	350	05.04-	■	■
32.350, 32.360 (D 2066 LF 38)	Diesel	10518	257	350	05.04-	■	■
33.350, 33.360 (D 2066 LF 03)	Diesel	10518	257	350	05.04-	■	■
33.350, 33.360 (D 2066 LF 07)	Diesel	10518	257	350	05.04-	■	■
33.350, 33.360 (D 2066 LF 13)	Diesel	10518	257	350	05.04-	■	■
33.350, 33.360 (D 2066 LF 33)	Diesel	10518	257	350	05.04-	■	■
33.350, 33.360 (D 2066 LF 38)	Diesel	10518	257	350	05.04-	■	■
33.350, 33.360 (D 2066 LF 03)	Diesel	10518	257	350	06.05-	■	■
33.350, 33.360 (D 2066 LF 07)	Diesel	10518	257	350	06.05-	■	■
33.350, 33.360 (D 2066 LF 13)	Diesel	10518	257	350	06.05-	■	■
33.350, 33.360 (D 2066 LF 33)	Diesel	10518	257	350	06.05-	■	■
33.350, 33.360 (D 2066 LF 38)	Diesel	10518	257	350	06.05-	■	■
35.350, 35.360 (D 2066 LF 03)	Diesel	10518	257	350	02.04-	■	■
35.350, 35.360 (D 2066 LF 13)	Diesel	10518	257	350	02.04-	■	■
35.350, 35.360 (D 2066 LF 33)	Diesel	10518	257	350	02.04-	■	■
35.350, 35.360 (D 2066 LF 38)	Diesel	10518	257	350	02.04-	■	■
37.350, 37.360 (D 2066 LF 03)	Diesel	10518	257	350	12.04-	■	■
37.350, 37.360 (D 2066 LF 13)	Diesel	10518	257	350	12.04-	■	■
37.350, 37.360 (D 2066 LF 33)	Diesel	10518	257	350	12.04-	■	■
37.350, 37.360 (D 2066 LF 38)	Diesel	10518	257	350	12.04-	■	■
41.350, 41.360 (D 2066 LF 03)	Diesel	10518	257	350	12.04-	■	■
41.350, 41.360 (D 2066 LF 07)	Diesel	10518	257	350	12.04-	■	■
41.350, 41.360 (D 2066 LF 13)	Diesel	10518	257	350	12.04-	■	■
41.350, 41.360 (D 2066 LF 33)	Diesel	10518	257	350	12.04-	■	■
41.350, 41.360 (D 2066 LF 38)	Diesel	10518	257	350	12.04-	■	■
26.360 (D 2066 LF 07)	Diesel	10518	265	360	05.04-	■	■
26.360 (D 2066 LF 38)	Diesel	10518	265	360	04.06-	■	■
26.360 (D 2066 LF 38)	Diesel	10518	265	360	04.06-	■	■
26.360 (D 2066 LF 38)	Diesel	10518	265	360	04.06-	■	■
28.360 (D 2066 LF 38)	Diesel	10518	265	360	07.06-	■	■
35.360 (D 2066 LF 38)	Diesel	10518	265	360	07.06-	■	■
35.360 (D 2066 LF 38)	Diesel	10518	265	360	07.06-	■	■
35.360	Diesel	10518	265	360	07.06-	■	■
41.360 (D 2066 LF 07)	Diesel	10518	265	360	12.08-	■	■
18.390, 18.400 (D 2066 LF 02)	Diesel	10518	287	390	05.04-	■	■
18.390, 18.400 (D 2066 LF 12)	Diesel	10518	287	390	05.04-	■	■
18.390, 18.400 (D 2066 LF 26)	Diesel	10518	287	390	05.04-	■	■
18.390, 18.400 (D 2066 LF 32)	Diesel	10518	287	390	05.04-	■	■
18.390, 18.400 (D 2066 LF 37)	Diesel	10518	287	390	05.04-	■	■

LISTA DE APLICACIONES - BUYERS GUIDE

18.390, 18.400 (D 2066 LF 02)		Diesel		10518	287	390	05.04-	■	■
18.390, 18.400 (D 2066 LF 12)		Diesel		10518	287	390	05.04-	■	■
18.390, 18.400 (D 2066 LF 32)		Diesel		10518	287	390	05.04-	■	■
18.390, 18.400 (D 2066 LF 37)		Diesel		10518	287	390	05.04-	■	■
24.390, 24.400 (D 2066 LF 02)		Diesel		10518	287	390	05.04-	■	■
24.390, 24.400 (D 2066 LF 12)		Diesel		10518	287	390	05.04-	■	■
24.390, 24.400 (D 2066 LF 26)		Diesel		10518	287	390	05.04-	■	■
24.390, 24.400 (D 2066 LF 32)		Diesel		10518	287	390	05.04-	■	■
24.390, 24.400 (D 2066 LF 37)		Diesel		10518	287	390	05.04-	■	■
26.390 (D 2066 LF 02)		Diesel		10518	287	390	02.04-	■	■
26.390 (D 2066 LF 12)		Diesel		10518	287	390	02.04-	■	■
26.390, 26.400 (D 2066 LF 02)		Diesel		10518	287	390	05.04-	■	■
26.390, 26.400 (D 2066 LF 12)		Diesel		10518	287	390	05.04-	■	■
26.390, 26.400 (D 2066 LF 24)		Diesel		10518	287	390	05.04-	■	■
26.390, 26.400 (D 2066 LF 26)		Diesel		10518	287	390	05.04-	■	■
26.390, 26.400 (D 2066 LF 32)		Diesel		10518	287	390	05.04-	■	■
26.390, 26.400 (D 2066 LF 37)		Diesel		10518	287	390	05.04-	■	■
26.390, 26.400 (D 2066 LF 02)		Diesel		10518	287	390	05.04-	■	■
26.390, 26.400 (D 2066 LF 06)		Diesel		10518	287	390	05.04-	■	■
26.390, 26.400 (D 2066 LF 12)		Diesel		10518	287	390	05.04-	■	■
26.390, 26.400 (D 2066 LF 32)		Diesel		10518	287	390	05.04-	■	■
26.390, 26.400 (D 2066 LF 37)		Diesel		10518	287	390	05.04-	■	■
28.390 (D 2066 LF 02)		Diesel		10518	287	390	07.06-	■	■
28.390 (D 2066 LF 12)		Diesel		10518	287	390	07.06-	■	■
28.390 (D 2066 LF 02)		Diesel		10518	287	390	07.06-	■	■
28.390 (D 2066 LF 12)		Diesel		10518	287	390	07.06-	■	■
28.390, 28.400 (D 2066 LF 02)		Diesel		10518	287	390	06.04-	■	■
28.390, 28.400 (D 2066 LF 12)		Diesel		10518	287	390	06.04-	■	■
28.390, 28.400 (D 2066 LF 26)		Diesel		10518	287	390	06.04-	■	■
28.390, 28.400 (D 2066 LF 37)		Diesel		10518	287	390	06.04-	■	■
32.390, 32.400 (D 2066 LF 02)		Diesel		10518	287	390	05.04-	■	■
32.390, 32.400 (D 2066 LF 12)		Diesel		10518	287	390	05.04-	■	■
32.390, 32.400 (D 2066 LF 32)		Diesel		10518	287	390	05.04-	■	■
32.390, 32.400 (D 2066 LF 37)		Diesel		10518	287	390	05.04-	■	■
33.390, 33.400 (D 2066 LF 02)		Diesel		10518	287	390	05.04-	■	■
33.390, 33.400 (D 2066 LF 06)		Diesel		10518	287	390	05.04-	■	■
33.390, 33.400 (D 2066 LF 12)		Diesel		10518	287	390	05.04-	■	■
33.390, 33.400 (D 2066 LF 32)		Diesel		10518	287	390	05.04-	■	■
33.390, 33.400 (D 2066 LF 37)		Diesel		10518	287	390	05.04-	■	■
35.390 (D 2066 LF 02)		Diesel		10518	287	390	07.06-	■	■
35.390 (D 2066 LF 12)		Diesel		10518	287	390	07.06-	■	■
35.390 (D 2066 LF 02)		Diesel		10518	287	390	07.06-	■	■
35.390 (D 2066 LF 12)		Diesel		10518	287	390	07.06-	■	■
35.390, 35.400 (D 2066 LF 02)		Diesel		10518	287	390	02.04-	■	■
35.390, 35.400 (D 2066 LF 06)		Diesel		10518	287	390	02.04-	■	■
35.390, 35.400 (D 2066 LF 12)		Diesel		10518	287	390	02.04-	■	■
35.390, 35.400 (D 2066 LF 32)		Diesel		10518	287	390	02.04-	■	■
35.390, 35.400 (D 2066 LF 37)		Diesel		10518	287	390	02.04-	■	■
37.390, 37.400 (D 2066 LF 02)		Diesel		10518	287	390	12.04-	■	■
37.390, 37.400 (D 2066 LF 12)		Diesel		10518	287	390	12.04-	■	■
37.390, 37.400 (D 2066 LF 32)		Diesel		10518	287	390	12.04-	■	■

LISTA DE APLICACIONES - BUYERS GUIDE

37.390, 37.400 (D 2066 LF 37)		Diesel		10518	287	390	12.04-	■	■
39.390 (D 2066 LF 12)		Diesel		10518	287	390	07.06-	■	■
41.390, 41.400 (D 2066 LF 02)		Diesel		10518	287	390	12.04-	■	■
41.390, 41.400 (D 2066 LF 06)		Diesel		10518	287	390	12.04-	■	■
41.390, 41.400 (D 2066 LF 12)		Diesel		10518	287	390	12.04-	■	■
41.390, 41.400 (D 2066 LF 32)		Diesel		10518	287	390	12.04-	■	■
41.390, 41.400 (D 2066 LF 37)		Diesel		10518	287	390	12.04-	■	■
26.400 (D 2066 LF 37)		Diesel		10518	294	400	04.06-	■	■
28.400 (D 2066 LF 37)		Diesel		10518	294	400	07.06-	■	■
28.400 (D 2066 LF 26)		Diesel		10518	294	400	07.06-	■	■
28.400 (D 2066 LF 37)		Diesel		10518	294	400	07.06-	■	■
35.400 (D 2066 LF 37)		Diesel		10518	294	400	07.06-	■	■
35.400 (D 2066 LF 37)		Diesel		10518	294	400	11.06-	■	■
35.400 (D 2066 LF 37)		Diesel		10518	294	400	07.06-	■	■
35.400		Diesel		10518	294	400	11.06-	■	■
39.400 (D 2066 LF 37)		Diesel		10518	294	400	07.06-	■	■
41.400 (D 2066 LF 06)		Diesel		10518	294	400	12.08-	■	■
18.430, 18.440 (D 2066 LF 01)		Diesel		10518	316	430	05.04-	■	■
18.430, 18.440 (D 2066 LF 11)		Diesel		10518	316	430	05.04-	■	■
18.430, 18.440 (D 2066 LF 25)		Diesel		10518	316	430	05.04-	■	■
18.430, 18.440 (D 2066 LF 31)		Diesel		10518	316	430	05.04-	■	■
18.430, 18.440 (D 2066 LF 36)		Diesel		10518	316	430	05.04-	■	■
18.430, 18.440 (D 2066 LF 01)		Diesel		10518	316	430	05.04-	■	■
18.430, 18.440 (D 2066 LF 11)		Diesel		10518	316	430	05.04-	■	■
18.430, 18.440 (D 2066 LF 31)		Diesel		10518	316	430	05.04-	■	■
18.430, 18.440 (D 2066 LF 36)		Diesel		10518	316	430	05.04-	■	■
24.430, 24.440 (D 2066 LF 01)		Diesel		10518	316	430	05.04-	■	■
24.430, 24.440 (D 2066 LF 11)		Diesel		10518	316	430	05.04-	■	■
24.430, 24.440 (D 2066 LF 23)		Diesel		10518	316	430	05.04-	■	■
24.430, 24.440 (D 2066 LF 25)		Diesel		10518	316	430	05.04-	■	■
24.430, 24.440 (D 2066 LF 31)		Diesel		10518	316	430	05.04-	■	■
24.430, 24.440 (D 2066 LF 36)		Diesel		10518	316	430	05.04-	■	■
26.430, 26.440 (D 2066 LF 01)		Diesel		10518	316	430	05.04-	■	■
26.430, 26.440 (D 2066 LF 11)		Diesel		10518	316	430	05.04-	■	■
26.430, 26.440 (D 2066 LF 23)		Diesel		10518	316	430	05.04-	■	■
26.430, 26.440 (D 2066 LF 25)		Diesel		10518	316	430	05.04-	■	■
26.430, 26.440 (D 2066 LF 31)		Diesel		10518	316	430	05.04-	■	■
26.430, 26.440 (D 2066 LF 36)		Diesel		10518	316	430	05.04-	■	■
26.430, 26.440 (D 2066 LF 01)		Diesel		10518	316	430	05.04-	■	■
26.430, 26.440 (D 2066 LF 11)		Diesel		10518	316	430	05.04-	■	■
26.430, 26.440 (D 2066 LF 31)		Diesel		10518	316	430	05.04-	■	■
26.430, 26.440 (D 2066 LF 36)		Diesel		10518	316	430	05.04-	■	■
26.430, 26.440 (D 2066 LF 01)		Diesel		10518	316	430	06.05-	■	■
26.430, 26.440 (D 2066 LF 11)		Diesel		10518	316	430	06.05-	■	■
26.430, 26.440 (D 2066 LF 31)		Diesel		10518	316	430	06.05-	■	■
26.430, 26.440 (D 2066 LF 36)		Diesel		10518	316	430	06.05-	■	■
28.430 (D 2066 LF 01)		Diesel		10518	316	430	07.06-	■	■
28.430 (D 2066 LF 11)		Diesel		10518	316	430	07.06-	■	■
28.430		Diesel		10518	316	430	09.02-10.08	■	■
28.430, 28.440 (D 2066 LF 01)		Diesel		10518	316	430	06.04-	■	■
28.430, 28.440 (D 2066 LF 11)		Diesel		10518	316	430	06.04-	■	■

LISTA DE APLICACIONES - BUYERS GUIDE

28.430, 28.440 (D 2066 LF 25)		Diesel	10518	316	430	06.04-	■	■
28.430, 28.440 (D 2066 LF 36)		Diesel	10518	316	430	06.04-	■	■
32.430, 32.440 (D 2066 LF 01)		Diesel	10518	316	430	05.04-	■	■
32.430, 32.440 (D 2066 LF 11)		Diesel	10518	316	430	05.04-	■	■
32.430, 32.440 (D 2066 LF 31)		Diesel	10518	316	430	05.04-	■	■
32.430, 32.440 (D 2066 LF 36)		Diesel	10518	316	430	05.04-	■	■
33.430, 33.440 (D 2066 LF 01)		Diesel	10518	316	430	05.04-	■	■
33.430, 33.440 (D 2066 LF 11)		Diesel	10518	316	430	05.04-	■	■
33.430, 33.440 (D 2066 LF 31)		Diesel	10518	316	430	05.04-	■	■
33.430, 33.440 (D 2066 LF 36)		Diesel	10518	316	430	05.04-	■	■
35.430 (D 2066 LF 01)		Diesel	10518	316	430	07.06-	■	■
35.430 (D 2066 LF 11)		Diesel	10518	316	430	07.06-	■	■
35.430 (D 2066 LF 01)		Diesel	10518	316	430	07.06-	■	■
35.430 (D 2066 LF 11)		Diesel	10518	316	430	07.06-	■	■
35.430, 35.440 (D 2066 LF 01)		Diesel	10518	316	430	02.04-	■	■
35.430, 35.440 (D 2066 LF 11)		Diesel	10518	316	430	02.04-	■	■
35.430, 35.440 (D 2066 LF 31)		Diesel	10518	316	430	02.04-	■	■
35.430, 35.440 (D 2066 LF 36)		Diesel	10518	316	430	02.04-	■	■
37.430, 37.440 (D 2066 LF 01)		Diesel	10518	316	430	12.04-	■	■
37.430, 37.440 (D 2066 LF 11)		Diesel	10518	316	430	12.04-	■	■
37.430, 37.440 (D 2066 LF 31)		Diesel	10518	316	430	12.04-	■	■
37.430, 37.440 (D 2066 LF 36)		Diesel	10518	316	430	12.04-	■	■
39.430 (D 2066 LF 01)		Diesel	10518	316	430	07.06-	■	■
39.430 (D 2066 LF 11)		Diesel	10518	316	430	07.06-	■	■
41.430, 41.440 (D 2066 LF 01)		Diesel	10518	316	430	12.04-	■	■
41.430, 41.440 (D 2066 LF 11)		Diesel	10518	316	430	12.04-	■	■
41.430, 41.440 (D 2066 LF 31)		Diesel	10518	316	430	12.04-	■	■
28.440 (D 2066 LF 36)		Diesel	10518	324	440	01.04-10.08	■	■
28.440		Diesel	10518	324	440	07.06-	■	■
35.440 (D 2066 LF 36)		Diesel	10518	324	440	07.06-	■	■
35.440 (D 2066 LF 36)		Diesel	10518	324	440	11.06-	■	■
35.440 (D 2066 LF 36)		Diesel	10518	324	440	07.06-	■	■
35.440		Diesel	10518	324	440	11.06-	■	■
39.440 (D 2066 LF 36)		Diesel	10518	324	440	07.06-	■	■
18.310, 18.320 (D 2866 LF26)	10/01-	Diesel	11967	228	310	04.00-	■	■
18.310, 18.320 (D 2866 LF36)	10/01-	Diesel	11967	228	310	04.00-	■	■
26.310 (D 2866 LF26)	10/01-	Diesel	11967	228	310	09.00-	■	■
26.310 (D 2866 LF36)	10/01-	Diesel	11967	228	310	09.00-	■	■
26.310 (D 2866 LF26)		Diesel	11967	228	310	01.01-	■	■
26.310 (D 2866 LF36)		Diesel	11967	228	310	09.03-	■	■
28.310 (D 2866 LF26)		Diesel	11967	228	310	09.02-	■	■
28.310 (D 2866 LF26)		Diesel	11967	228	310	09.02-	■	■
28.310		Diesel	11967	228	310	07.06-	■	■
32.310 (D 2866 LF26)		Diesel	11967	228	310	01.02-	■	■
35.310 (D 2866 LF26)		Diesel	11967	228	310	06.03-	■	■
37.310 (D 2866 LF26)		Diesel	11967	228	310	12.04-	■	■
18.360 (D 2866 LF27)	10/01-	Diesel	11967	265	360	04.00-	■	■
18.360 (D 2866 LF37)	10/01-	Diesel	11967	265	360	04.00-	■	■
24.360 (D 2866 LF27)		Diesel	11967	265	360	09.01-	■	■
26.360 (D 2866 LF27)	10/01-	Diesel	11967	265	360	09.00-	■	■
26.360 (D 2866 LF37)	10/01-	Diesel	11967	265	360	09.00-	■	■

LISTA DE APLICACIONES - BUYERS GUIDE

26.360 (D 2866 LF27)		Diesel	11967	265	360	01.01-	■	■
26.360 (D 2866 LF37)		Diesel	11967	265	360	01.01-	■	■
28.360 (D 2866 LF27)		Diesel	11967	265	360	09.02-	■	■
28.360 (D 2866 LF27)		Diesel	11967	265	360	07.06-	■	■
28.360 (D 2866 LF27)		Diesel	11967	265	360	09.02-	■	■
28.360		Diesel	11967	265	360	07.06-	■	■
32.360 (D 2866 LF27)		Diesel	11967	265	360	01.02-	■	■
33.360 (D 2866 LF27)	10/01-	Diesel	11967	265	360	10.00-	■	■
33.360 (D 2866 LF37)	10/01-	Diesel	11967	265	360	10.00-	■	■
33.360 (D 2866 LF27)		Diesel	11967	265	360	09.02-	■	■
33.360 (D 2866 LF37)		Diesel	11967	265	360	09.02-	■	■
35.360 (D 2866 LF27)		Diesel	11967	265	360	10.03-	■	■
35.360 (D 2866 LF27)		Diesel	11967	265	360	07.06-	■	■
37.360 (D 2866 LF27)		Diesel	11967	265	360	12.04-	■	■
41.360 (D 2866 LF27)		Diesel	11967	265	360	01.03-	■	■
41.360 (D 2866 LF37)		Diesel	11967	265	360	01.03-	■	■
18.410, 18.420 (D 2866 LF28)	10/01-	Diesel	11967	301	410	04.00-	■	■
18.410, 18.420 (D 2866 LF32)	10/01-	Diesel	11967	301	410	04.00-	■	■
24.410 (D 2866 LF28)		Diesel	11967	301	410	09.01-	■	■
26.410 (D 2866 LF28)	10/01-	Diesel	11967	301	410	04.00-	■	■
26.410 (D 2866 LF32)	10/01-	Diesel	11967	301	410	04.00-	■	■
26.410 (D 2866 LF28)		Diesel	11967	301	410	01.01-	■	■
26.410 (D 2866 LF32)		Diesel	11967	301	410	01.01-	■	■
26.410 (D 2866 LF28)		Diesel	11967	301	410	09.03-	■	■
28.410 (D 2866 LF28)		Diesel	11967	301	410	09.02-	■	■
28.410 (D 2866 LF28)		Diesel	11967	301	410	07.06-	■	■
28.410 (D 2866 LF28)		Diesel	11967	301	410	09.02-	■	■
28.410		Diesel	11967	301	410	07.06-	■	■
32.410 (D 2866 LF28)		Diesel	11967	301	410	01.02-	■	■
33.410 (D 2866 LF28)	10/01-	Diesel	11967	301	410	10.00-	■	■
33.410 (D 2866 LF32)	10/01-	Diesel	11967	301	410	10.00-	■	■
33.410 (D 2866 LF28)		Diesel	11967	301	410	09.02-	■	■
33.410 (D 2866 LF32)		Diesel	11967	301	410	09.02-	■	■
35.410 (D 2866 LF28)		Diesel	11967	301	410	10.03-	■	■
35.410 (D 2866 LF28)		Diesel	11967	301	410	07.06-	■	■
35.410 (D 2866 LF28)		Diesel	11967	301	410	07.06-	■	■
37.410 (D 2866 LF28)		Diesel	11967	301	410	12.04-	■	■
41.410 (D 2866 LF28)		Diesel	11967	301	410	09.03-	■	■
41.410 (D 2866 LF32)		Diesel	11967	301	410	09.03-	■	■
26.440 (D 2676 LF 04)		Diesel	12419	324	440	02.06-	■	■
33.440 (D 2676 LF 04)		Diesel	12419	324	440	06.05-	■	■
41.440 (D 2676 LF 04)		Diesel	12419	324	440	12.04-	■	■
18.480 (D 2676 LF 01)		Diesel	12419	353	480	01.06-	■	■
18.480 (D 2676 LF 05)		Diesel	12419	353	480	01.06-	■	■
18.480 (D 2676 LF 14)		Diesel	12419	353	480	01.06-	■	■
24.480 (D 2676 LF 01)		Diesel	12419	353	480	01.06-	■	■
24.480 (D 2676 LF 05)		Diesel	12419	353	480	01.06-	■	■
24.480 (D 2676 LF 12)		Diesel	12419	353	480	01.06-	■	■
24.480 (D 2676 LF 14)		Diesel	12419	353	480	01.06-	■	■
26.480 (D 2676 LF 01)		Diesel	12419	353	480	02.06-	■	■
26.480 (D 2676 LF 02)		Diesel	12419	353	480	02.06-	■	■

LISTA DE APLICACIONES - BUYERS GUIDE

26.480 (D 2676 LF 03)		Diesel		12419	353	480	02.06-	■	■
26.480 (D 2676 LF 05)		Diesel		12419	353	480	02.06-	■	■
26.480 (D 2676 LF 01)		Diesel		12419	353	480	02.06-	■	■
26.480 (D 2676 LF 02)		Diesel		12419	353	480	02.06-	■	■
26.480 (D 2676 LF 05)		Diesel		12419	353	480	02.06-	■	■
26.480 (D 2676 LF 12)		Diesel		12419	353	480	02.06-	■	■
26.480 (D 2676 LF 14)		Diesel		12419	353	480	02.06-	■	■
28.480 (D 2676 LF 02)		Diesel		12419	353	480	02.06-	■	■
28.480 (D 2676 LF 05)		Diesel		12419	353	480	02.06-	■	■
28.480 (D 2676 LF 14)		Diesel		12419	353	480	02.06-	■	■
28.480 (D 2676 LF 05)		Diesel		12419	353	480	07.06-	■	■
32.480 (D 2676 LF 01)		Diesel		12419	353	480	02.06-	■	■
32.480 (D 2676 LF 05)		Diesel		12419	353	480	02.06-	■	■
33.480 (D 2676 LF 01)		Diesel		12419	353	480	01.06-	■	■
33.480 (D 2676 LF 02)		Diesel		12419	353	480	01.06-	■	■
33.480 (D 2676 LF 03)		Diesel		12419	353	480	01.06-	■	■
33.480 (D 2676 LF 05)		Diesel		12419	353	480	01.06-	■	■
35.480 (D 2676 LF 01)		Diesel		12419	353	480	02.04-	■	■
35.480 (D 2676 LF 05)		Diesel		12419	353	480	02.04-	■	■
35.480 (D 2676 LF 05)		Diesel		12419	353	480	07.06-	■	■
35.480 (D 2676 LF 05)		Diesel		12419	353	480	11.06-	■	■
35.480 (D 2676 LF 05)		Diesel		12419	353	480	07.06-	■	■
35.480		Diesel		12419	353	480	11.06-	■	■
37.480 (D 2676 LF 01)		Diesel		12419	353	480	02.06-	■	■
37.480 (D 2676 LF 05)		Diesel		12419	353	480	02.06-	■	■
39.480 (D 2676 LF 05)		Diesel		12419	353	480	07.06-	■	■
41.480 (D 2676 LF 01)		Diesel		12419	353	480	02.06-	■	■
41.480 (D 2676 LF 02)		Diesel		12419	353	480	02.06-	■	■
41.480 (D 2676 LF 03)		Diesel		12419	353	480	02.06-	■	■
41.480 (D 2676 LF 05)		Diesel		12419	353	480	02.06-	■	■
18.540 (D 2676 LF 13)		Diesel		12419	397	540	08.06-	■	■
24.540 (D 2676 LF 11)		Diesel		12419	397	540	01.06-	■	■
24.540 (D 2676 LF 13)		Diesel		12419	397	540	01.06-	■	■
26.540 (D 2676 LF 13)		Diesel		12419	397	540	08.06-	■	■
28.540 (D 2676 LF 13)		Diesel		12419	397	540	08.06-	■	■
18.460 (D 2876 LF 04)	10/01-	Diesel		12816	338	460	04.00-	■	■
18.460 (D 2876 LF 07)	10/01-	Diesel		12816	338	460	04.00-	■	■
24.460 (D 2876 LF 04)		Diesel		12816	338	460	09.01-	■	■
26.460 (D 2876 LF 04)	10/01-	Diesel		12816	338	460	04.00-	■	■
26.460 (D 2876 LF 07)	10/01-	Diesel		12816	338	460	04.00-	■	■
26.460 (D 2876 LF 04)		Diesel		12816	338	460	01.01-	■	■
26.460 (D 2876 LF 07)		Diesel		12816	338	460	01.01-	■	■
26.460 (D 2876 LF 04)		Diesel		12816	338	460	02.01-	■	■
26.460 (D 2876 LF 07)		Diesel		12816	338	460	02.01-	■	■
28.460 (D 2876 LF 04)		Diesel		12816	338	460	09.02-	■	■
32.460 (D 2876 LF 04)		Diesel		12816	338	460	01.02-	■	■
33.460 (D 2876 LF 04)		Diesel		12816	338	460	09.02-	■	■
33.460 (D 2876 LF 07)		Diesel		12816	338	460	09.02-	■	■
35.460 (D 2876 LF 04)		Diesel		12816	338	460	10.03-	■	■
35.460 (D 2876 LF 04)		Diesel		12816	338	460	07.06-	■	■
37.460 (D 2876 LF 04)		Diesel		12816	338	460	12.04-	■	■

LISTA DE APLICACIONES - BUYERS GUIDE

41.460 (D 2876 LF 07)		Diesel		12816	338	460	09.03-	■	■
18.480 (D 2876 LF 12)		Diesel		12816	353	480	09.02-	■	■
24.480 (D 2876 LF 12)		Diesel		12816	353	480	09.02-	■	■
26.480 (D 2876 LF 12)		Diesel		12816	353	480	09.02-	■	■
26.480 (D 2876 LF 25)		Diesel		12816	353	480	09.02-	■	■
26.480 (D 2876 LF 12)		Diesel		12816	353	480	09.02-	■	■
28.390 (D 2876 LF 12)		Diesel		12816	353	480	07.06-	■	■
28.480 (D 2876 LF 12)		Diesel		12816	353	480	09.02-	■	■
28.480 (D 2876 LF 12)		Diesel		12816	353	480	07.06-	■	■
32.480 (D 2876 LF 12)		Diesel		12816	353	480	09.02-	■	■
33.480 (D 2876 LF 12)		Diesel		12816	353	480	09.02-	■	■
33.480 (D 2876 LF 25)		Diesel		12816	353	480	09.02-	■	■
33.480 (D 2876 LF 12)		Diesel		12816	353	480	09.02-	■	■
33.480 (D 2876 LF 25)		Diesel		12816	353	480	09.02-	■	■
35.480 (D 2876 LF 12)		Diesel		12816	353	480	10.03-	■	■
35.480 (D 2876 LF 12)		Diesel		12816	353	480	07.06-	■	■
35.480 (D 2876 LF 12)		Diesel		12816	353	480	07.06-	■	■
37.480 (D 2876 LF 12)		Diesel		12816	353	480	12.04-	■	■
41.480 (D 2876 LF 12)		Diesel		12816	353	480	06.05-	■	■
41.480 (D 2876 LF 25)		Diesel		12816	353	480	06.05-	■	■
18.510 (D 2876 LF 05)	10/01-	Diesel		12816	375	510	09.00-	■	■
24.510 (D 2876 LF 05)		Diesel		12816	375	510	09.01-	■	■
26.510 (D 2876 LF 05)	10/01-	Diesel		12816	375	510	12.00-	■	■
26.510 (D 2876 LF 05)		Diesel		12816	375	510	01.01-	■	■
28.510 (D 2876 LF 05)		Diesel		12816	375	510	09.02-	■	■
33.510 (D 2876 LF 05)		Diesel		12816	375	510	09.02-	■	■
18.530 (D 2876 LF 13)		Diesel		12816	390	530	09.02-	■	■
24.530 (D 2876 LF 13)		Diesel		12816	390	530	09.01-	■	■
26.530 (D 2876 LF 13)		Diesel		12816	390	530	09.02-	■	■
26.530 (D 2876 LF 13)		Diesel		12816	390	530	01.01-	■	■
28.530 (D 2876 LF 13)		Diesel		12816	390	530	09.02-	■	■
28.530 (D 2876 LF 13)		Diesel		12816	390	530	07.06-	■	■
33.530 (D 2876 LF 13)		Diesel		12816	390	530	09.02-	■	■
35.530 (D 2876 LF 13)		Diesel		12816	390	530	04.04-	■	■
35.530 (D 2876 LF 13)		Diesel		12816	390	530	04.04-	■	■
35.530 (D 2876 LF 13)		Diesel		12816	390	530	07.06-	■	■
37.530 (D 2876 LF 13)		Diesel		12816	390	530	12.04-	■	■
41.530 (D 2876 LF 13)		Diesel		12816	390	530	12.04-	■	■
TGA 03.00-								Truck Tractor	
18.310, 18.320 (D 2066 LF 04)		Diesel		10518	228	310	05.04-	■	■
18.310, 18.320 (D 2066 LF 14)		Diesel		10518	228	310	05.04-	■	■
18.310, 18.320 (D 2066 LF 28)		Diesel		10518	228	310	05.04-	■	■
18.310, 18.320 (D 2066 LF 35)		Diesel		10518	228	310	05.04-	■	■
18.310, 18.320 (D 2066 LF 39)		Diesel		10518	228	310	05.04-	■	■
18.310, 18.320 (D 2066 LF 04)		Diesel		10518	228	310	05.04-	■	■
18.310, 18.320 (D 2066 LF 14)		Diesel		10518	228	310	05.04-	■	■
18.310, 18.320 (D 2066 LF 35)		Diesel		10518	228	310	05.04-	■	■
18.310, 18.320 (D 2066 LF 39)		Diesel		10518	228	310	05.04-	■	■
26.310, 26.320 (D 2066 LF 04)		Diesel		10518	228	310	05.04-	■	■
26.310, 26.320 (D 2066 LF 14)		Diesel		10518	228	310	05.04-	■	■
26.310, 26.320 (D 2066 LF 35)		Diesel		10518	228	310	05.04-	■	■

LISTA DE APLICACIONES - BUYERS GUIDE

26.310, 26.320 (D 2066 LF 39)	Diesel	10518	228	310	05.04-	■	■
26.310, 26.320 (D 2066 LF 04)	Diesel	10518	228	310	05.04-	■	■
26.310, 26.320 (D 2066 LF 14)	Diesel	10518	228	310	05.04-	■	■
26.310, 26.320 (D 2066 LF 35)	Diesel	10518	228	310	05.04-	■	■
26.310, 26.320 (D 2066 LF 39)	Diesel	10518	228	310	05.04-	■	■
28.310 (D 2066 LF 04)	Diesel	10518	228	310	06.04-	■	■
28.310 (D 2066 LF 14)	Diesel	10518	228	310	06.04-	■	■
28.320 (D 2066 LF 28)	Diesel	10518	235	320	06.04-	■	■
28.320 (D 2066 LF 39)	Diesel	10518	235	320	06.04-	■	■
18.350 (D 2066 LF 03)	Diesel	10518	257	350	05.04-	■	■
18.350 (D 2066 LF 13)	Diesel	10518	257	350	05.04-	■	■
18.350, 18.360 (D 2066 LF 03)	Diesel	10518	257	350	05.04-	■	■
18.350, 18.360 (D 2066 LF 13)	Diesel	10518	257	350	05.04-	■	■
18.350, 18.360 (D 2066 LF 33)	Diesel	10518	257	350	05.04-	■	■
18.350, 18.360 (D 2066 LF 38)	Diesel	10518	257	350	05.04-	■	■
19.350 (D 2066 LF 03)	Diesel	10518	257	350	05.04-	■	■
24.350, 24.360 (D 2066 LF 03)	Diesel	10518	257	350	02.04-	■	■
24.350, 24.360 (D 2066 LF 13)	Diesel	10518	257	350	02.04-	■	■
24.350, 24.360 (D 2066 LF 33)	Diesel	10518	257	350	02.04-	■	■
24.350, 24.360 (D 2066 LF 38)	Diesel	10518	257	350	02.04-	■	■
26.350 (D 2066 LF 03)	Diesel	10518	257	350	05.04-	■	■
26.350 (D 2066 LF 03)	Diesel	10518	257	350	07.05-	■	■
26.350 (D 2066 LF 13)	Diesel	10518	257	350	07.05-	■	■
26.350 (D 2066 LF 13)	Diesel	10518	257	350	07.05-	■	■
26.350, 26.360 (D 2066 LF 03)	Diesel	10518	257	350	05.04-	■	■
26.350, 26.360 (D 2066 LF 13)	Diesel	10518	257	350	05.04-	■	■
26.350, 26.360 (D 2066 LF 33)	Diesel	10518	257	350	05.04-	■	■
26.350, 26.360 (D 2066 LF 38)	Diesel	10518	257	350	05.04-	■	■
26.350, 26.360 (D 2066 LF 03)	Diesel	10518	257	350	05.04-	■	■
26.350, 26.360 (D 2066 LF 13)	Diesel	10518	257	350	05.04-	■	■
26.350, 26.360 (D 2066 LF 33)	Diesel	10518	257	350	05.04-	■	■
26.350, 26.360 (D 2066 LF 38)	Diesel	10518	257	350	05.04-	■	■
28.350 (D 2066 LF 03)	Diesel	10518	257	350	02.04-	■	■
33.350, 33.360 (D 2066 LF 03)	Diesel	10518	257	350	05.04-	■	■
33.350, 33.360 (D 2066 LF 07)	Diesel	10518	257	350	05.04-	■	■
33.350, 33.360 (D 2066 LF 13)	Diesel	10518	257	350	05.04-	■	■
33.350, 33.360 (D 2066 LF 33)	Diesel	10518	257	350	05.04-	■	■
33.350, 33.360 (D 2066 LF 38)	Diesel	10518	257	350	05.04-	■	■
33.350, 33.360 (D 2066 LF 03)	Diesel	10518	257	350	06.05-	■	■
33.350, 33.360 (D 2066 LF 07)	Diesel	10518	257	350	06.05-	■	■
33.350, 33.360 (D 2066 LF 13)	Diesel	10518	257	350	06.05-	■	■
33.350, 33.360 (D 2066 LF 33)	Diesel	10518	257	350	06.05-	■	■
33.350, 33.360 (D 2066 LF 38)	Diesel	10518	257	350	06.05-	■	■
18.360 (D 2066 LF 07)	Diesel	10518	265	360	01.06-	■	■
18.360 (D 2066 LF 27)	Diesel	10518	265	360	01.06-	■	■
18.360 (D 2066 LF 38)	Diesel	10518	265	360	01.06-	■	■
19.360 (D 2066 LF 07)	Diesel	10518	265	360	05.04-	■	■
26.360 (D 2066 LF 07)	Diesel	10518	265	360	05.04-	■	■
26.360 (D 2066 LF 38)	Diesel	10518	265	360	05.04-	■	■
26.360 (D 2066 LF 38)	Diesel	10518	265	360	04.06-	■	■
28.360 (D 2066 LF 38)	Diesel	10518	265	360	04.06-	■	■

LISTA DE APLICACIONES - BUYERS GUIDE

18.390 (D 2066 LF 02)		Diesel		10518	287	390	05.04-	■	■
18.390 (D 2066 LF 12)		Diesel		10518	287	390	05.04-	■	■
18.390, 18.400 (D 2066 LF 02)		Diesel		10518	287	390	05.04-	■	■
18.390, 18.400 (D 2066 LF 12)		Diesel		10518	287	390	05.04-	■	■
18.390, 18.400 (D 2066 LF 32)		Diesel		10518	287	390	05.04-	■	■
18.390, 18.400 (D 2066 LF 37)		Diesel		10518	287	390	05.04-	■	■
19.390 (D 2066 LF 02)		Diesel		10518	287	390	05.04-	■	■
24.390, 24.400 (D 2066 LF 02)		Diesel		10518	287	390	05.04-	■	■
24.390, 24.400 (D 2066 LF 12)		Diesel		10518	287	390	05.04-	■	■
24.390, 24.400 (D 2066 LF 32)		Diesel		10518	287	390	05.04-	■	■
24.390, 24.400 (D 2066 LF 37)		Diesel		10518	287	390	05.04-	■	■
26.390 (D 2066 LF 02)		Diesel		10518	287	390	07.05-	■	■
26.390 (D 2066 LF 12)		Diesel		10518	287	390	07.05-	■	■
26.390, 26.400 (D 2066 LF 02)		Diesel		10518	287	390	05.04-	■	■
26.390, 26.400 (D 2066 LF 12)		Diesel		10518	287	390	05.04-	■	■
26.390, 26.400 (D 2066 LF 32)		Diesel		10518	287	390	05.04-	■	■
26.390, 26.400 (D 2066 LF 37)		Diesel		10518	287	390	05.04-	■	■
26.390, 26.400 (D 2066 LF 02)		Diesel		10518	287	390	05.04-	■	■
26.390, 26.400 (D 2066 LF 06)		Diesel		10518	287	390	05.04-	■	■
26.390, 26.400 (D 2066 LF 12)		Diesel		10518	287	390	05.04-	■	■
26.390, 26.400 (D 2066 LF 32)		Diesel		10518	287	390	05.04-	■	■
26.390, 26.400 (D 2066 LF 37)		Diesel		10518	287	390	05.04-	■	■
28.390 (D 2066 LF 02)		Diesel		10518	287	390	05.04-	■	■
28.390 (D 2066 LF 12)		Diesel		10518	287	390	05.04-	■	■
33.390, 33.400 (D 2066 LF 02)		Diesel		10518	287	390	05.04-	■	■
33.390, 33.400 (D 2066 LF 06)		Diesel		10518	287	390	05.04-	■	■
33.390, 33.400 (D 2066 LF 12)		Diesel		10518	287	390	05.04-	■	■
33.390, 33.400 (D 2066 LF 32)		Diesel		10518	287	390	05.04-	■	■
33.390, 33.400 (D 2066 LF 37)		Diesel		10518	287	390	05.04-	■	■
40.390, 40.400 (D 2066 LF 02)		Diesel		10518	287	390	06.05-	■	■
40.390, 40.400 (D 2066 LF 06)		Diesel		10518	287	390	06.05-	■	■
18.400 (D 2066 LF 26)		Diesel		10518	294	400	10.05-	■	■
18.400 (D 2066 LF 37)		Diesel		10518	294	400	10.05-	■	■
19.400 (D 2066 LF 06)		Diesel		10518	294	400	05.04-	■	■
26.400 (D 2066 LF 37)		Diesel		10518	294	400	04.06-	■	■
28.400 (D 2066 LF 26)		Diesel		10518	294	400	04.06-	■	■
28.400 (D 2066 LF 37)		Diesel		10518	294	400	04.06-	■	■
18.430 (D 2066 LF 01)		Diesel		10518	316	430	05.04-	■	■
18.430 (D 2066 LF 11)		Diesel		10518	316	430	05.04-	■	■
18.430, 18.440 (D 2066 LF 01)		Diesel		10518	316	430	05.04-	■	■
18.430, 18.440 (D 2066 LF 11)		Diesel		10518	316	430	05.04-	■	■
18.430, 18.440 (D 2066 LF 31)		Diesel		10518	316	430	05.04-	■	■
18.430, 18.440 (D 2066 LF 36)		Diesel		10518	316	430	05.04-	■	■
19.430 (D 2066 LF 01)		Diesel		10518	316	430	03.05-03.11	■	■
24.430, 24.440 (D 2066 LF 01)		Diesel		10518	316	430	05.04-	■	■
24.430, 24.440 (D 2066 LF 11)		Diesel		10518	316	430	05.04-	■	■
24.430, 24.440 (D 2066 LF 31)		Diesel		10518	316	430	05.04-	■	■
24.430, 24.440 (D 2066 LF 36)		Diesel		10518	316	430	05.04-	■	■
26.430 (D 2066 LF 01)		Diesel		10518	316	430	02.04-	■	■
26.430 (D 2066 LF 01)		Diesel		10518	316	430	07.05-	■	■
26.430 (D 2066 LF 11)		Diesel		10518	316	430	07.05-	■	■

LISTA DE APLICACIONES - BUYERS GUIDE

26.430, 26.440 (D 2066 LF 01)		Diesel		10518	316	430	05.04-	■	■
26.430, 26.440 (D 2066 LF 11)		Diesel		10518	316	430	05.04-	■	■
26.430, 26.440 (D 2066 LF 31)		Diesel		10518	316	430	05.04-	■	■
26.430, 26.440 (D 2066 LF 36)		Diesel		10518	316	430	05.04-	■	■
26.430, 26.440 (D 2066 LF 01)		Diesel		10518	316	430	02.04-	■	■
26.430, 26.440 (D 2066 LF 11)		Diesel		10518	316	430	02.04-	■	■
26.430, 26.440 (D 2066 LF 23)		Diesel		10518	316	430	02.04-	■	■
26.430, 26.440 (D 2066 LF 31)		Diesel		10518	316	430	02.04-	■	■
26.430, 26.440 (D 2066 LF 36)		Diesel		10518	316	430	02.04-	■	■
28.430 (D 2066 LF 01)		Diesel		10518	316	430	05.04-	■	■
28.430 (D 2066 LF 11)		Diesel		10518	316	430	05.04-	■	■
33.430, 33.440 (D 2066 LF 01)		Diesel		10518	316	430	05.04-	■	■
33.430, 33.440 (D 2066 LF 11)		Diesel		10518	316	430	05.04-	■	■
33.430, 33.440 (D 2066 LF 31)		Diesel		10518	316	430	05.04-	■	■
33.430, 33.440 (D 2066 LF 36)		Diesel		10518	316	430	05.04-	■	■
40.430 (D 2066 LF 01)		Diesel		10518	316	430	06.05-	■	■
18.440 (D 2066 LF 25)		Diesel		10518	324	440	09.05-	■	■
18.440 (D 2066 LF 36)		Diesel		10518	324	440	09.05-	■	■
26.440 (D 2066 LF 36)		Diesel		10518	324	440	09.05-	■	■
28.440 (D 2066 LF 25)		Diesel		10518	324	440	09.05-	■	■
28.440 (D 2066 LF 36)		Diesel		10518	324	440	09.05-	■	■
18.310 (D 2866 LF26)	10/01-	Diesel		11967	228	310	04.00-	■	■
18.310 (D 2866 LF36)	10/01-	Diesel		11967	228	310	04.00-	■	■
26.310 (D 2866 LF26)	10/01-	Diesel		11967	228	310	12.00-	■	■
26.310 (D 2866 LF36)	10/01-	Diesel		11967	228	310	12.00-	■	■
26.310 (D 2866 LF26)		Diesel		11967	228	310	01.01-	■	■
28.310 (D 2866 LF26)		Diesel		11967	228	310	09.02-	■	■
18.360 (D 2866 LF27)	10/01-	Diesel		11967	265	360	04.00-	■	■
18.360 (D 2866 LF37)	10/01-	Diesel		11967	265	360	04.00-	■	■
19.360 (D 2866 LF37)		Diesel		11967	265	360	05.04-	■	■
26.360 (D 2866 LF27)	10/01-	Diesel		11967	265	360	12.00-	■	■
26.360 (D 2866 LF37)	10/01-	Diesel		11967	265	360	12.00-	■	■
26.360 (D 2866 LF27)		Diesel		11967	265	360	09.03-	■	■
26.360 (D 2866 LF37)		Diesel		11967	265	360	09.03-	■	■
28.360 (D 2866 LF27)		Diesel		11967	265	360	09.02-	■	■
33.360 (D 2866 LF27)		Diesel		11967	265	360	10.00-	■	■
33.360 (D 2866 LF37)		Diesel		11967	265	360	10.00-	■	■
33.360 (D 2866 LF27)		Diesel		11967	265	360	09.02-	■	■
33.360 (D 2866 LF37)		Diesel		11967	265	360	09.02-	■	■
18.410 (D 2866 LF28)	10/01-	Diesel		11967	301	410	04.00-	■	■
18.410 (D 2866 LF32)	10/01-	Diesel		11967	301	410	04.00-	■	■
19.410 (D 2866 LF32)		Diesel		11967	301	410	05.04-	■	■
26.410 (D 2866 LF28)	10/01-	Diesel		11967	301	410	12.00-	■	■
26.410 (D 2866 LF32)	10/01-	Diesel		11967	301	410	12.00-	■	■
26.410 (D 2866 LF28)		Diesel		11967	301	410	06.01-	■	■
26.410 (D 2866 LF32)		Diesel		11967	301	410	06.01-	■	■
26.410 (D 2866 LF28)		Diesel		11967	301	410	07.05-	■	■
26.410 (D 2866 LF32)		Diesel		11967	301	410	07.05-	■	■
28.410 (D 2866 LF28)		Diesel		11967	301	410	09.02-	■	■
33.410 (D 2866 LF28)	10/01-	Diesel		11967	301	410	10.00-	■	■
33.410 (D 2866 LF32)	10/01-	Diesel		11967	301	410	10.00-	■	■

LISTA DE APLICACIONES - BUYERS GUIDE

33.410 (D 2866 LF28)		Diesel		11967	301	410	09.02-	■	■
33.410 (D 2866 LF32)		Diesel		11967	301	410	09.02-	■	■
40.410 (D 2866 LF28)		Diesel		11967	301	410	04.04-	■	■
40.410 (D 2866 LF32)		Diesel		11967	301	410	04.04-	■	■
19.440 (D 2676 LF 04)		Diesel		12419	324	440	02.06-03.11	■	■
26.440 (D 2676 LF 04)		Diesel		12419	324	440	02.06-	■	■
27.440 (D 2676 LF 04)		Diesel		12419	324	440	10.08-	■	■
40.440 (D 2676 LF 04)		Diesel		12419	324	440	06.05-	■	■
18.480 (D 2676 LF 05)		Diesel		12419	353	480	01.06-	■	■
18.480 (D 2676 LF 14)		Diesel		12419	353	480	01.06-	■	■
19.480 (D 2676 LF 02)		Diesel		12419	353	480	02.06-	■	■
19.480 (D 2676 LF 03)		Diesel		12419	353	480	02.06-	■	■
19.480 (D 2676 LF 02)		Diesel		12419	353	480	02.06-	■	■
19.480 (D 2676 LF 03)		Diesel		12419	353	480	02.06-	■	■
24.480 (D 2676 LF 01)		Diesel		12419	353	480	01.06-	■	■
24.480 (D 2676 LF 12)		Diesel		12419	353	480	01.06-	■	■
26.480 (D 2676 LF 01)		Diesel		12419	353	480	02.06-	■	■
26.480 (D 2676 LF 02)		Diesel		12419	353	480	02.06-	■	■
26.480 (D 2676 LF 03)		Diesel		12419	353	480	02.06-	■	■
26.480 (D 2676 LF 05)		Diesel		12419	353	480	02.06-	■	■
26.480 (D 2676 LF 01)		Diesel		12419	353	480	02.06-	■	■
26.480 (D 2676 LF 02)		Diesel		12419	353	480	02.06-	■	■
26.480 (D 2676 LF 05)		Diesel		12419	353	480	02.06-	■	■
26.480 (D 2676 LF 12)		Diesel		12419	353	480	02.06-	■	■
28.480 (D 2676 LF 02)		Diesel		12419	353	480	02.06-	■	■
28.480 (D 2676 LF 05)		Diesel		12419	353	480	02.06-	■	■
28.480 (D 2676 LF 14)		Diesel		12419	353	480	02.06-	■	■
33.480 (D 2676 LF 01)		Diesel		12419	353	480	01.06-	■	■
33.480 (D 2676 LF 02)		Diesel		12419	353	480	01.06-	■	■
33.480 (D 2676 LF 03)		Diesel		12419	353	480	01.06-	■	■
33.480 (D 2676 LF 05)		Diesel		12419	353	480	01.06-	■	■
40.480 (D 2676 LF 02)		Diesel		12419	353	480	06.05-	■	■
40.480 (D 2676 LF 03)		Diesel		12419	353	480	06.05-	■	■
40.480 (D 2676 LF 12)		Diesel		12419	353	480	06.05-	■	■
18.540 (D 2676 LF 13)		Diesel		12419	397	540	08.06-	■	■
28.540 (D 2676 LF 13)		Diesel		12419	397	540	08.06-	■	■
41.540 (D 2676 LF 13)		Diesel		12419	397	540	11.06-	■	■
18.460 (D 2876 LF 04)	10/01-	Diesel		12816	338	460	04.00-	■	■
18.460 (D 2876 LF 07)	10/01-	Diesel		12816	338	460	04.00-	■	■
19.460 (D 2876 LF 07)		Diesel		12816	338	460	05.04-	■	■
26.460 (D 2876 LF 04)	10/01-	Diesel		12816	338	460	12.00-	■	■
26.460 (D 2876 LF 07)	10/01-	Diesel		12816	338	460	12.00-	■	■
26.460 (D 2876 LF 04)		Diesel		12816	338	460	06.01-	■	■
26.460 (D 2876 LF 07)		Diesel		12816	338	460	06.01-	■	■
28.460 (D 2876 LF 04)		Diesel		12816	338	460	09.02-	■	■
33.460 (D 2876 LF 04)		Diesel		12816	338	460	09.02-	■	■
33.460 (D 2876 LF 07)		Diesel		12816	338	460	09.02-	■	■
40.460 (D 2876 LF 07)		Diesel		12816	338	460	04.04-	■	■
18.480 (D 2876 LF 12)		Diesel		12816	353	480	09.02-	■	■
18.480 (D 2876 LF 25)		Diesel		12816	353	480	09.02-	■	■
19.480 (D 2876 LF 25)		Diesel		12816	353	480	05.04-	■	■

LISTA DE APLICACIONES - BUYERS GUIDE

24.480 (D 2876 LF 12)		Diesel		12816	353	480	07.05-	■	■
26.480 (D 2876 LF 12)		Diesel		12816	353	480	09.02-	■	■
26.480 (D 2876 LF 25)		Diesel		12816	353	480	09.02-	■	■
26.480 (D 2876 LF 12)		Diesel		12816	353	480	09.02-	■	■
28.480 (D 2876 LF 12)		Diesel		12816	353	480	09.02-	■	■
33.480 (D 2876 LF 12)		Diesel		12816	353	480	09.02-	■	■
33.480 (D 2876 LF 25)		Diesel		12816	353	480	09.02-	■	■
33.480 (D 2876 LF 12)		Diesel		12816	353	480	09.02-	■	■
33.480 (D 2876 LF 25)		Diesel		12816	353	480	09.02-	■	■
35.480 (D 2876 LF 12)		Diesel		12816	353	480	07.06-	■	■
40.480 (D 2876 LF 12)		Diesel		12816	353	480	04.04-	■	■
40.480 (D 2876 LF 25)		Diesel		12816	353	480	04.04-	■	■
41.480 (D 2876 LF 12)		Diesel		12816	353	480	07.06-	■	■
18.510 (D 2876 LF 05)	10/01-	Diesel		12816	375	510	04.00-	■	■
26.510 (D 2876 LF 05)	10/01-	Diesel		12816	375	510	12.00-	■	■
26.510 (D 2876 LF 05)		Diesel		12816	375	510	01.01-	■	■
28.510 (D 2876 LF 05)		Diesel		12816	375	510	09.02-	■	■
33.510 (D 2876 LF 05)		Diesel		12816	375	510	09.02-	■	■
18.530 (D 2876 LF 13)		Diesel		12816	390	530	09.02-	■	■
24.530 (D 2876 LF 13)		Diesel		12816	390	530	07.05-	■	■
26.530 (D 2876 LF 13)		Diesel		12816	390	530	09.02-	■	■
26.530 (D 2876 LF 13)		Diesel		12816	390	530	01.01-	■	■
28.530 (D 2876 LF 13)		Diesel		12816	390	530	09.02-	■	■
33.530 (D 2876 LF 13)		Diesel		12816	390	530	09.02-	■	■
33.530 (D 2876 LF 13)		Diesel		12816	390	530	07.03-	■	■
37.530 (D 2876 LF 13)		Diesel		12816	390	530	07.06-	■	■
41.530 (D 2876 LF 13)		Diesel		12816	390	530	09.02-	■	■
41.660 (D 2840 LF25)		Diesel		18273	485	660	09.02-	■	■
TGM 05.05-				Platform/Chassis					
18.240 (D 0836 LFL 40)		Diesel		6871	176	240	10.05-03.22	■	■
18.240 (D 0836 LFL 53)		Diesel		6871	176	240	10.05-03.22	■	■
18.280 (D 0836 LFL 41)		Diesel		6871	206	280	10.05-03.22	■	■
18.280 (D 0836 LFL 54)		Diesel		6871	206	280	10.05-03.22	■	■
18.330 (D 0836 LFL 44)		Diesel		6871	240	326	10.05-03.22	■	■
18.330 (D 0836 LFL 55)		Diesel		6871	240	326	10.05-03.22	■	■