

LISTA DE APLICACIONES - BUYERS GUIDE

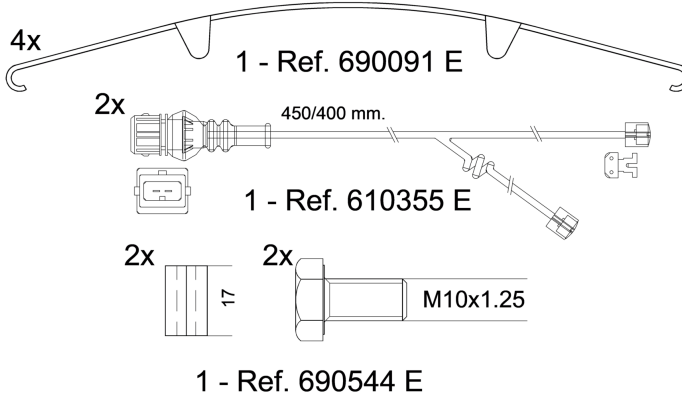
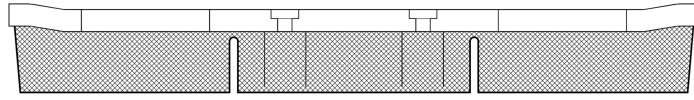
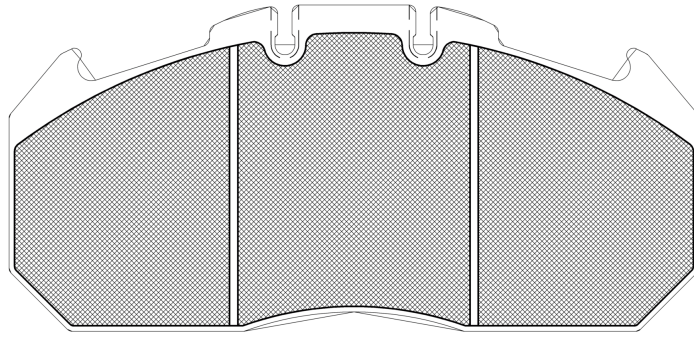
151405-122



Qty: 660

Weight: 11.567

O.E.M.	MAKE
5001 855 646	RENAULT TRUCKS



151405-122



E 9 90R-01178/668

Meritor D-Elsa 2

249.4x118x30.25

VWA	FMSI
29131	D1310-8425
29156	
MAKE	
RENAULT TRUCKS	



Trac.	CC	Kw	CV
-------	----	----	----



Front / Rear

RENAULT TRUCKS

								Platform/Chassis		
04.96-03.05										
E.TECH 400.18	(MACK E.TECH A/46)		Diesel		11929	295	401	05.00-	■	■
E.TECH 400.24	(MACK E.TECH A/46)		Diesel		11929	295	401	05.00-	■	■
E.TECH 400.26	(MACK E.TECH A/46)		Diesel		11929	295	401	05.00-	■	■
E.TECH 440.18	(MACK E.TECH B/46)		Diesel		11929	324	441	05.00-	■	■
E.TECH 440.24	(MACK E.TECH B/46)		Diesel		11929	324	441	05.00-	■	■
E.TECH 440.26	(MACK E.TECH B/46)		Diesel		11929	324	441	05.00-	■	■
E.TECH 480.18	(MACK E.TECH C/46)		Diesel		11929	347	472	05.00-	■	■
E.TECH 480.24	(MACK E.TECH C/46)		Diesel		11929	347	472	05.00-	■	■
E.TECH 480.26	(MACK E.TECH C/46)		Diesel		11929	347	472	05.00-	■	■
04.96-03.05								Truck Tractor		
E.TECH 400.18T	(MACK E.TECH A/46)		Diesel		11929	295	401	05.00-	■	■
E.TECH 440.18T	(MACK E.TECH B/46)		Diesel		11929	324	441	05.00-	■	■
E.TECH 440.26T	(MACK E.TECH B/46)		Diesel		11929	324	441	05.00-	■	■
E.TECH 440.26T	(MACK E.TECH B/46)		Diesel		11929	324	441	05.00-	■	■
E.TECH 480.18T	(MACK E.TECH C/46)		Diesel		11929	347	472	05.00-	■	■
E.TECH 480.26T	(MACK E.TECH C/46)		Diesel		11929	347	472	05.00-	■	■
E.TECH 480.26T	(MACK E.TECH C/46)		Diesel		11929	347	472	05.00-	■	■
AE 560.18T	(MACK-EE9-560)	06/00-	Diesel		16361	412	560	04.96-	■	
AE 560.19T	(MACK-EE9-560)	01/00-	Diesel		16361	412	560	04.96-	■	
AE 560.26T	(MACK-EE9-560)	06/00-	Diesel		16361	412	560	01.97-	■	
AE 560.26T	(MACK-EE9-560)	06/00-	Diesel		16361	412	560	01.98-	■	

LISTA DE APLICACIONES - BUYERS GUIDE

Agora 01.96-							Bus		
Agora (MIDR 06.20.45 I41)		Diesel		9840	186	253	01.96-	■	■
Agora (MIDR 06.20.45 I41)		Diesel		9840	186	253	01.96-	■	■
Iliade 01.97-							Bus		
TE, RTC	01/00-	Diesel			222	302	01.97-	■	■
RT, RTX, GTC	01/00-	Diesel			250	340	01.97-	■	■
GTX	01/00-	Diesel			280	381	01.97-	■	■
GT, GTC, GTE (MIDR 06.20.45 M41)	06/00-	Diesel		9839	250	340	04.98-	■	■
FRH, GTX, GTXE, RTX, TX (MIDR 06.23.56 A/41)	06/00-	Diesel		11123	280	381	01.97-	■	■
Magnum 01.90-04.99							Platform/Chassis		
AE 390.18 (MIDR 06.24.65 A/42)	06/00-	Diesel		11929	287	390	09.96-	■	
AE 390.19 (MIDR 06.24.65 A/42)	01/00-	Diesel		11929	287	390	09.96-	■	
AE 390.26 (MIDR 06.24.65 A/42)	06/00-	Diesel		11929	287	390	09.96-	■	
AE 430.18 (MIDR 06.24.65 B/42)	06/00-	Diesel		11929	316	430	09.96-	■	
AE 430.19 (MIDR 06.24.65 B/42)	01/00-	Diesel		11929	316	430	09.96-	■	
AE 430.26 (MIDR 06.24.65 B/42)	06/00-	Diesel		11929	316	430	09.96-	■	
AE 470.18 (MIDR 06.24.65 C/42)	06/00-	Diesel		11929	346	471	11.96-	■	
AE 470.19 (MIDR 06.24.65 C/42)	01/00-	Diesel		11929	346	471	11.96-	■	
AE 470.26 (MIDR 06.24.65 C/42)	06/00-	Diesel		11929	346	471	01.97-	■	
AE 480	01/00-	Diesel		11995	347	472	01.90-	■	■
AE 520.26 (MACK-EE9-530)	01/00-	Diesel		16361	390	530	10.92-	■	
AE 560.18 (MACK-EE9-560)	06/00-	Diesel		16361	412	560	04.96-	■	
AE 560.19 (MACK-EE9-560)	01/00-	Diesel		16361	412	560	04.96-	■	
AE 560.26 (MACK-EE9-560)	06/00-	Diesel		16361	412	560	04.96-	■	
Magnum 01.90-04.99							Truck Tractor		
AE 390.18T (MIDR 06.24.65 A/42)	06/00-	Diesel		11929	287	390	09.96-	■	
AE 390.19T (MIDR 06.24.65 A/42)	01/00-	Diesel		11929	287	390	09.96-	■	
AE 430.18T (MIDR 06.24.65 B/42)	06/00-	Diesel		11929	316	430	09.96-	■	
AE 430.19T (MIDR 06.24.65 B/42)	01/00-	Diesel		11929	316	430	09.96-	■	
AE 430.26T (MIDR 06.24.65 B/42)	06/00-	Diesel		11929	316	430	01.98-	■	
AE 430.26T (MIDR 06.24.65 B/42)	06/00-	Diesel		11929	316	430	01.97-	■	
AE 470.18T (MIDR 06.24.65 C/42)	06/00-	Diesel		11929	346	471	11.96-	■	
AE 470.19T (MIDR 06.24.65 C/42)	01/00-	Diesel		11929	346	471	11.96-	■	
AE 470.26T (MIDR 06.24.65 C/42)	06/00-	Diesel		11929	346	471	01.98-	■	
Premium 04.96-							Platform/Chassis		
Distribution 210.16 (MIDR 06.02.26 W/4)		Diesel		6177	154	209	04.96-	■	■
Distribution 210.18D, 220.18 (DCI 6W)	06/00-	Diesel		6177	154	209	04.96-	■	
Distribution 210.18D, 220.18 (MIDR 06.02.26 W/4)	06/00-	Diesel		6177	154	209	04.96-	■	
Distribution 210.19D		Diesel		6177	155	210	04.96-	■	■
Distribution 250.16 (MIDR 06.02.26 Y/41)		Diesel		6177	184	250	04.96-	■	■
Distribution 250.18D (MIDR 06.02.26 Y/41)	06/00-	Diesel		6177	184	250	04.96-	■	
Distribution 250.19 (MIDR 06.02.26 Y/41)		Diesel		6177	184	250	04.96-	■	■
Distribution 270.18 (DCI 6A)		Diesel		6177	195	265	08.00-	■	
Distribution 260.16 (MIDR 06.20.45 C/4)		Diesel		9839	188	256	04.96-	■	■
Distribution 260.18 (MIDR 06.20.45 C/4)		Diesel		9839	188	256	04.96-	■	■
Distribution 260.19 (MIDR 06.20.45 C/4)		Diesel		9839	188	256	04.96-	■	■
Distribution 300.16D (MIDR 06.20.45 D/41)		Diesel		9839	219	298	04.96-	■	■
Distribution 300.18D (MIDR 06.20.45 D/41)	01/00-	Diesel		9839	219	298	04.96-	■	
Distribution 300.19 (MIDR 06.20.45 D/41)		Diesel		9839	219	298	04.96-	■	■

LISTA DE APLICACIONES - BUYERS GUIDE

Distribution 300.26D (MIDR 06.20.45 D/41)	06/00-	Diesel		9839	219	298	04.96-	■		
Distribution 300.26D		Diesel		9839	219	298	04.96-	■	■	
Route 300.16 (MIDR 06.20.45 D/41)		Diesel		9839	219	298	09.96-	■	■	
Route 300.18 (MIDR 06.20.45 D/41)	06/00-	Diesel		9839	219	298	09.96-	■	■	
Route 300.19 (MIDR 06.20.45 D/41)		Diesel		9839	219	298	09.96-	■	■	
Distribution 340.18D (MIDR 06.20.45 E/41)	06/00-	Diesel		9839	249	339	04.96-	■		
Distribution 340.19D (MIDR 06.20.45 E/41)		Diesel		9839	249	339	04.96-	■	■	
Distribution 340.26D (MIDR 06.20.45 E/41)	06/00-	Diesel		9839	249	339	04.96-	■		
Distribution 340.26D		Diesel		9839	249	339	04.96-	■	■	
Route 340.18 (MIDR 06.20.45 E/41)	06/00-	Diesel		9839	249	339	04.96-	■	■	
Route 340.19 (MIDR 06.20.45 E/41)		Diesel		9839	249	339	04.96-	■	■	
Route 340.24 (MIDR 06.20.45 E/41)		Diesel		9839	249	339	04.96-	■	■	
Route 340.26 (MIDR 06.20.45 E/41)	06/00-	Diesel		9839	249	339	04.96-	■	■	
Distribution 400.18D (MIDR 06.23.56 B/41)		Diesel		11100	288	392	01.00-	■		
Distribution 320.18 D (DCI 11G)	01/01-	Diesel		11123	230	313	08.00-	■		
Distribution 320.24D (DCI 11G)	01/01-	Diesel		11123	230	313	08.00-	■		
Distribution 320.26D (DCI 11G)	01/01-	Diesel		11123	230	313	08.00-	■		
Distribution 320.26D		Diesel		11123	230	313	08.00-	■	■	
Route 320.18 (DCI 11G)		Diesel		11123	230	313	08.00-	■	■	
Distribution 370.18D (DCI 11E)	01/01-	Diesel		11123	266	362	08.00-	■		
Distribution 370.24D (DCI 11E)	01/01-	Diesel		11123	266	362	08.00-	■		
Distribution 370.26D (DCI 11E)	01/01-	Diesel		11123	266	362	08.00-	■		
Distribution 370.26D		Diesel		11123	266	362	08.00-	■	■	
Route 370.18 (DCI 11E)		Diesel		11123	266	362	08.00-	■	■	
Route 370.24 (DCI 11E)		Diesel		11123	266	362	08.00-	■	■	
Route 370.26 (DCI 11E)		Diesel		11123	266	362	08.00-	■	■	
Route 385.18,400.18 (MIDR 06.23.56 A/41)	06/00-	Diesel		11123	280	381	04.96-	■	■	
Route 385.18,400.18 (MIDR 06.23.56 B/41)	06/00-	Diesel		11123	280	381	04.96-	■	■	
Route 385.19,400.19 (MIDR 06.23.56 A/41)		Diesel		11123	280	381	04.96-	■	■	
Route 385.19,400.19 (MIDR 06.23.56 B/41)		Diesel		11123	280	381	04.96-	■	■	
Route 385.24,400.24 (MIDR 06.23.56 A/41)	06/00-	Diesel		11123	280	381	04.96-	■	■	
Route 385.24,400.24 (MIDR 06.23.56 B/41)	06/00-	Diesel		11123	280	381	04.96-	■	■	
Route 385.26 (MIDR 06.23.56 A/41)	06/00-	Diesel		11123	280	381	04.96-	■	■	
Route 385.26,400.26 (MIDR 06.23.56 A/41)	06/00-	Diesel		11123	280	381	04.96-	■	■	
Route 385.26,400.26 (MIDR 06.23.56 B/41)	06/00-	Diesel		11123	280	381	04.96-	■	■	
Distribution 420.18D (DCI 11C)	01/01-	Diesel		11123	303	412	08.00-	■		
Route 420.18 (DCI 11C)		Diesel		11123	303	412	08.00-	■	■	
Route 420.24 (DCI 11C)		Diesel		11123	303	412	08.00-	■	■	
Route 420.26 (DCI 11C)		Diesel		11123	303	412	08.00-	■	■	
Premium 04.96-							Truck Tractor			
Distribution 300.16T (MIDR 06.20.45 D/41)		Diesel		9839	219	298	04.96-	■	■	
Distribution 300.18D/T (MIDR 06.20.45 D/41)	06/00-	Diesel		9839	219	298	04.96-	■		
Distribution 300.19D/T (MIDR 06.20.45 D/41)		Diesel		9839	219	298	04.96-	■	■	
Route 300.18T (MIDR 06.20.45 D/41)	06/00-	Diesel		9839	219	298	09.96-	■	■	
Route 300.19T (MIDR 06.20.45 D/41)		Diesel		9839	219	298	09.96-	■	■	
Distribution 340.18D/T (MIDR 06.20.45 E/41)	06/00-	Diesel		9839	249	339	04.96-	■		
Distribution 340.19D/T (MIDR 06.20.45 E/41)		Diesel		9839	249	339	04.96-	■	■	
Route 340.18T (MIDR 06.20.45 E/41)	06/00-	Diesel		9839	249	339	04.96-	■	■	
Route 340.19T (MIDR 06.20.45 E/41)		Diesel		9839	249	339	04.96-	■	■	
Distribution 320.18 (DCI 11G)	-12/05	Diesel		11123	230	313	08.00-	■		
Route 320.18 (DCI 11G)		Diesel		11123	230	313	08.00-	■	■	

LISTA DE APLICACIONES - BUYERS GUIDE

Distribution 370.18 (DCI 11E)	-12/05	Diesel		11123	266	362	08.00-	■	
Route 370.18 (DCI 11E)		Diesel		11123	266	362	08.00-	■	■
Route 385.18T,400.18T (MIDR 06.23.56 A/41)	06/00-	Diesel		11123	280	381	04.96-	■	■
Route 385.18T,400.18T (MIDR 06.23.56 B/41)	06/00-	Diesel		11123	280	381	04.96-	■	■
Route 385.19T,400.19T (MIDR 06.23.56 A/41)		Diesel		11123	280	381	04.96-	■	■
Route 385.19T,400.19T (MIDR 06.23.56 B/41)		Diesel		11123	280	381	04.96-	■	■
Route 385.24T,400.24T (MIDR 06.23.56 A/41)	06/00-	Diesel		11123	280	381	09.96-	■	■
Route 385.24T,400.24T (MIDR 06.23.56 B/41)	06/00-	Diesel		11123	280	381	09.96-	■	■
Distribution 400.18D/T (MIDR 06.23.56 B/41)		Diesel		11123	288	392	01.00-	■	
Distribution 420.18 (DCI 11C)	-12/05	Diesel		11123	303	412	08.00-	■	
Route 420.18T (DCI 11 B/43)		Diesel		11123	303	412	08.00-	■	■
Route 420.18T (DCI 11C)		Diesel		11123	303	412	08.00-	■	■
Route 420.24 (DCI 11C)		Diesel		11123	303	412	08.00-	■	■
Route 420.25 (DCI 11C)		Diesel		11123	303	412	08.00-	■	■