

# LISTA DE APLICACIONES - BUYERS GUIDE

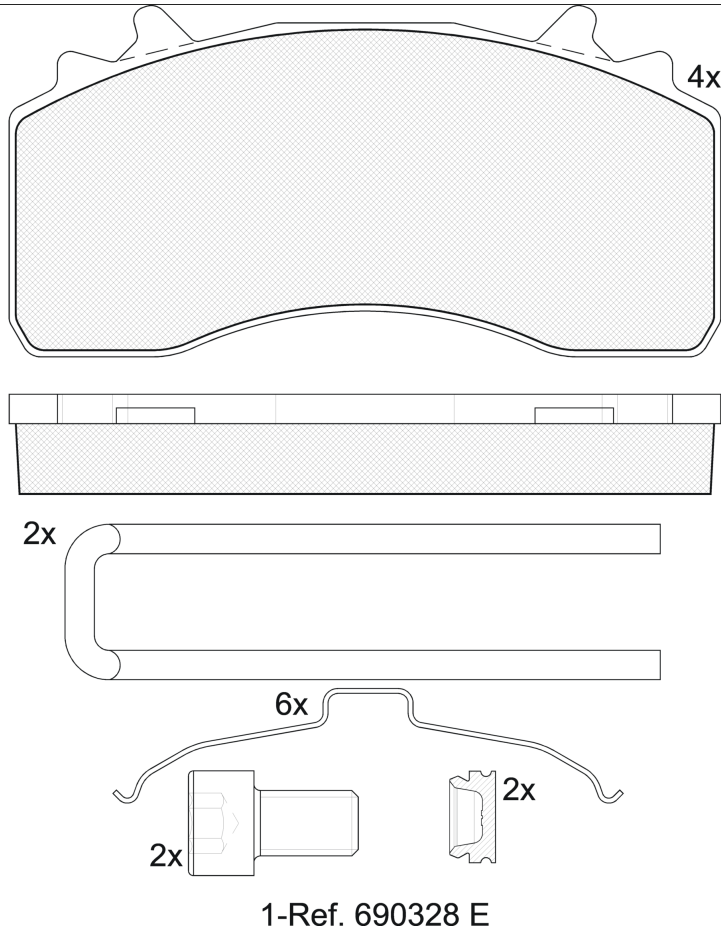
## 152154-066



Qty: 660

Weight: 10.325

O.E.M.	MAKE
6403229242	MAN
6403229302	MAN
6403229332	MAN
81.50820-5112	MAN
81.50820-6065	MAN
81.50820-6066	MAN



## 152154-066

**E 9** 90R-02A0178/3424



Wabco MAXX 22

217.6x107.4x30.5

WVA
29223
29279
29337

MAKE
MAN



Trac.	CC	Kw	CV
-------	----	----	----



Front / Rear

### MAN

								Dump Truck	
<b>TGA 03.00-</b>									
18.480 (D 2676 LF 01)		Diesel		12419	353	480	04.06-	■	■
18.480 (D 2676 LF 05)		Diesel		12419	353	480	04.06-	■	■
								Platform/Chassis	
<b>TGA 03.00-</b>									
18.480 (D 2676 LF 01)		Diesel		12419	353	480	04.06-	■	■
18.480 (D 2676 LF 05)		Diesel		12419	353	480	04.06-	■	■
								Truck Tractor	
<b>TGA 03.00-</b>									
33.440		Diesel		12419	324	440	06.05-	■	■
18.480 (D 2676 LF 01)		Diesel		12419	353	480	04.06-	■	■
18.480 (D 2676 LF 05)		Diesel		12419	353	480	04.06-	■	■
								Concrete Mixer	
<b>TGS 01.05-</b>									
26.320 (D 2066 LF 39)	09/10-, Rim 22.5	Diesel		10518	235	320	07.08-09.21	■	■
26.320 (D 2066 LF 43)	09/10-, Rim 22.5	Diesel		10518	235	320	07.08-09.21	■	■
32.320 (D 2066 LF 43)	09/10-, Rim 22.5	Diesel		10518	235	320	02.09-09.21	■	■
35.320 (D 2066 LF 28)	09/10-, Rim 22.5	Diesel		10518	235	320	10.07-09.21	■	■
35.320 (D 2066 LF 39)	09/10-, Rim 22.5	Diesel		10518	235	320	10.07-09.21	■	■
35.320 (D 2066 LF 43)	09/10-, Rim 22.5	Diesel		10518	235	320	10.07-09.21	■	■
37.320 (D 2066 LF 28)	09/10-, Rim 22.5	Diesel		10518	235	320	10.07-09.21	■	■
37.320 (D 2066 LF 39)	09/10-, Rim 22.5	Diesel		10518	235	320	10.07-09.21	■	■
37.320 (D 2066 LF 43)	09/10-, Rim 22.5	Diesel		10518	235	320	10.07-09.21	■	■
41.320 (D 2066 LF 68)		Diesel		10518	235	320	06.08-09.21	■	■
33.350 (D 2066 LF 03)		Diesel		10518	257	350	06.08-09.21	■	■
41.350 (D 2066 LF 03)		Diesel		10518	257	350	06.08-09.21	■	■

# LISTA DE APLICACIONES - BUYERS GUIDE

26.360 (D 2066 LF 38)	09/10-, Rim 22.5	Diesel		10518	265	360	07.08-09.21	■	■
26.360 (D 2066 LF 42)	09/10-, Rim 22.5	Diesel		10518	265	360	07.08-09.21	■	■
32.360 (D 2066 LF 27)	09/10-, Rim 22.5	Diesel		10518	265	360	10.07-09.21	■	■
32.360 (D 2066 LF 38)	09/10-, Rim 22.5	Diesel		10518	265	360	10.07-09.21	■	■
32.360 (D 2066 LF 42)	09/10-, Rim 22.5	Diesel		10518	265	360	10.07-09.21	■	■
33.360 (D 2066 LF 07)		Diesel		10518	265	360	06.08-09.21	■	■
33.360 (D 2066 LF 48)		Diesel		10518	265	360	06.08-09.21	■	■
33.360 (D 2066 LF 64)		Diesel		10518	265	360	06.08-09.21	■	■
35.360 (D 2066 LF 27)	09/10-, Rim 22.5	Diesel		10518	265	360	10.07-09.21	■	■
35.360 (D 2066 LF 38)	09/10-, Rim 22.5	Diesel		10518	265	360	10.07-09.21	■	■
35.360 (D 2066 LF 42)	09/10-, Rim 22.5	Diesel		10518	265	360	10.07-09.21	■	■
37.360 (D 2066 LF 27)	09/10-, Rim 22.5	Diesel		10518	265	360	10.07-09.21	■	■
37.360 (D 2066 LF 38)	09/10-, Rim 22.5	Diesel		10518	265	360	10.07-09.21	■	■
37.360 (D 2066 LF 42)	09/10-, Rim 22.5	Diesel		10518	265	360	10.07-09.21	■	■
41.360 (D 2066 LF 27)	09/10-, Rim 22.5	Diesel		10518	265	360	10.07-09.21	■	■
41.360 (D 2066 LF 38)	09/10-, Rim 22.5	Diesel		10518	265	360	10.07-09.21	■	■
41.360 (D 2066 LF 42)	09/10-, Rim 22.5	Diesel		10518	265	360	10.07-09.21	■	■
33.390 (D 2066 LF 02)		Diesel		10518	287	390	06.08-09.21	■	■
41.390 (D 2066 LF 02)		Diesel		10518	287	390	06.08-09.21	■	■
26.400 (D 2066 LF 37)	09/10-, Rim 22.5	Diesel		10518	294	400	07.08-09.21	■	■
26.400 (D 2066 LF 41)	09/10-, Rim 22.5	Diesel		10518	294	400	07.08-09.21	■	■
32.400 (D 2066 LF 26)	09/10-, Rim 22.5	Diesel		10518	294	400	10.07-09.21	■	■
32.400 (D 2066 LF 37)	09/10-, Rim 22.5	Diesel		10518	294	400	10.07-09.21	■	■
32.400 (D 2066 LF 41)	09/10-, Rim 22.5	Diesel		10518	294	400	10.07-09.21	■	■
33.400 (D 2066 LF 06)		Diesel		10518	294	400	07.08-09.21	■	■
33.400 (D 2066 LF 49)		Diesel		10518	294	400	07.08-09.21	■	■
33.400 (D 2066 LF 63)		Diesel		10518	294	400	07.08-09.21	■	■
35.400 (D 2066 LF 26)	09/10-, Rim 22.5	Diesel		10518	294	400	10.07-09.21	■	■
35.400 (D 2066 LF 37)	09/10-, Rim 22.5	Diesel		10518	294	400	10.07-09.21	■	■
35.400 (D 2066 LF 41)	09/10-, Rim 22.5	Diesel		10518	294	400	10.07-09.21	■	■
37.400 (D 2066 LF 26)	09/10-, Rim 22.5	Diesel		10518	294	400	10.07-09.21	■	■
37.400 (D 2066 LF 37)	09/10-, Rim 22.5	Diesel		10518	294	400	10.07-09.21	■	■
37.400 (D 2066 LF 41)	09/10-, Rim 22.5	Diesel		10518	294	400	10.07-09.21	■	■
41.400 (D 2066 LF 26)	09/10-, Rim 22.5	Diesel		10518	294	400	10.07-09.21	■	■
41.400 (D 2066 LF 37)	09/10-, Rim 22.5	Diesel		10518	294	400	10.07-09.21	■	■
41.400 (D 2066 LF 41)	09/10-, Rim 22.5	Diesel		10518	294	400	10.07-09.21	■	■
33.430 (D 2066 LF 01)		Diesel		10518	316	430	06.08-09.21	■	■
41.430 (D 2066 LF 01)		Diesel		10518	316	430	10.07-09.21	■	■
26.440 (D 2066 LF 36)	09/10-, Rim 22.5	Diesel		10518	324	440	07.08-09.21	■	■
26.440 (D 2066 LF 40)	09/10-, Rim 22.5	Diesel		10518	324	440	07.08-09.21	■	■
32.440 (D 2066 LF 25)	09/10-, Rim 22.5	Diesel		10518	324	440	10.07-09.21	■	■
32.440 (D 2066 LF 36)	09/10-, Rim 22.5	Diesel		10518	324	440	10.07-09.21	■	■
32.440 (D 2066 LF 40)	09/10-, Rim 22.5	Diesel		10518	324	440	10.07-09.21	■	■
33.440 (D 2066 LF 50)		Diesel		10518	324	440	06.08-09.21	■	■
33.440 (D 2066 LF 62)		Diesel		10518	324	440	06.08-09.21	■	■
35.440 (D 2066 LF 25)	09/10-, Rim 22.5	Diesel		10518	324	440	10.07-09.21	■	■
35.440 (D 2066 LF 36)	09/10-, Rim 22.5	Diesel		10518	324	440	10.07-09.21	■	■
35.440 (D 2066 LF 40)	09/10-, Rim 22.5	Diesel		10518	324	440	10.07-09.21	■	■
37.440 (D 2066 LF 25)	09/10-, Rim 22.5	Diesel		10518	324	440	10.07-09.21	■	■
37.440 (D 2066 LF 36)	09/10-, Rim 22.5	Diesel		10518	324	440	10.07-09.21	■	■
37.440 (D 2066 LF 40)	09/10-, Rim 22.5	Diesel		10518	324	440	10.07-09.21	■	■

# LISTA DE APLICACIONES - BUYERS GUIDE

41.440 (D 2066 LF 25)	09/10-, Rim 22.5	Diesel		10518	324	440	10.07-09.21	■	■
41.440 (D 2066 LF 36)	09/10-, Rim 22.5	Diesel		10518	324	440	10.07-09.21	■	■
41.440 (D 2066 LF 40)	09/10-, Rim 22.5	Diesel		10518	324	440	10.07-09.21	■	■
26.440 (D 2676 LF 26)		Diesel		12419	324	440	07.08-09.21	■	■
32.440 (D 2676 LF 26)		Diesel		12419	324	440	08.08-09.21	■	■
33.440 (D 2676 LF 04)		Diesel		12419	324	440	10.07-09.21	■	■
35.440 (D 2676 LF 26)		Diesel		12419	324	441	08.08-09.21	■	■
37.440 (D 2676 LF 26)		Diesel		12419	324	440	07.08-09.21	■	■
41.440 (D 2676 LF 04)		Diesel		12419	324	440	06.08-09.21	■	■
41.440 (D 2676 LF 26)		Diesel		12419	324	440	06.08-09.21	■	■
26.480 (D 2676 LF 25)		Diesel		12419	353	480	05.08-09.21	■	■
32.480 (D 2676 LF 05)	09/10-, Rim 22.5	Diesel		12419	353	480	08.08-09.21	■	■
32.480 (D 2676 LF 07)	09/10-, Rim 22.5	Diesel		12419	353	480	08.08-09.21	■	■
33.480 (D 2676 LF 02)		Diesel		12419	353	480	08.08-09.21	■	■
35.480 (D 2676 LF 05)	09/10-, Rim 22.5	Diesel		12419	353	480	10.07-09.21	■	■
35.480 (D 2676 LF 07)	09/10-, Rim 22.5	Diesel		12419	353	480	10.07-09.21	■	■
35.480 (D 2676 LF 14)	09/10-, Rim 22.5	Diesel		12419	353	480	10.07-09.21	■	■
37.480 (D 2676 LF 05)	09/10-, Rim 22.5	Diesel		12419	353	480	10.07-09.21	■	■
37.480 (D 2676 LF 07)	09/10-, Rim 22.5	Diesel		12419	353	480	10.07-09.21	■	■
37.480 (D 2676 LF 14)	09/10-, Rim 22.5	Diesel		12419	353	480	10.07-09.21	■	■
41.480 (D 2676 LF 05)	09/10-, Rim 22.5	Diesel		12419	353	480	10.07-09.21	■	■
41.480 (D 2676 LF 07)	09/10-, Rim 22.5	Diesel		12419	353	480	10.07-09.21	■	■
41.480 (D 2676 LF 14)	09/10-, Rim 22.5	Diesel		12419	353	480	10.07-09.21	■	■
35.540 (D 2676 LF 06)	09/10-, Rim 22.5	Diesel		12419	397	540	10.07-09.21	■	■
35.540 (D 2676 LF 13)	09/10-, Rim 22.5	Diesel		12419	397	540	10.07-09.21	■	■
37.540 (D 2676 LF 06)	09/10-, Rim 22.5	Diesel		12419	397	540	10.07-09.21	■	■
37.540 (D 2676 LF 13)	09/10-, Rim 22.5	Diesel		12419	397	540	10.07-09.21	■	■
41.540 (D 2676 LF 06)	09/10-, Rim 22.5	Diesel		12419	397	540	10.07-09.21	■	■
41.540 (D 2676 LF 13)	09/10-, Rim 22.5	Diesel		12419	397	540	10.07-09.21	■	■
<b>TGS 01.05-</b>							<b>Dump Truck</b>		
18.320 (D 2066 LF 39)	09/10-, Rim 22.5	Diesel		10518	235	320	10.07-09.21	■	■
18.320 (D 2066 LF 43)	09/10-, Rim 22.5	Diesel		10518	235	320	10.07-09.21	■	■
18.320 (D 2066 LF 28)	09/10-, Rim 22.5	Diesel		10518	235	320	10.07-09.21	■	■
18.320 (D 2066 LF 39)	09/10-, Rim 22.5	Diesel		10518	235	320	10.07-09.21	■	■
18.320 (D 2066 LF 43)	09/10-, Rim 22.5	Diesel		10518	235	320	10.07-09.21	■	■
26.320 (D 2066 LF 39)	09/10-, Rim 22.5	Diesel		10518	235	320	07.08-09.21	■	■
26.320 (D 2066 LF 43)	09/10-, Rim 22.5	Diesel		10518	235	320	07.08-09.21	■	■
26.320 (D 2066 LF 39)	09/10-, Rim 22.5	Diesel		10518	235	320	07.08-09.21	■	■
26.320 (D 2066 LF 43)	09/10-, Rim 22.5	Diesel		10518	235	320	07.08-09.21	■	■
28.320 (D 2066 LF 68)		Diesel		10518	235	320	07.08-09.21	■	■
33.320 (D 2066 LF 39)		Diesel		10518	235	320	06.08-09.21	■	■
33.320 (D 2066 LF 43)		Diesel		10518	235	320	06.08-09.21	■	■
33.320 (D 2066 LF 68)		Diesel		10518	235	320	06.08-09.21	■	■
33.320 (D 2066 LF 39)		Diesel		10518	235	320	06.08-09.21	■	■
33.320 (D 2066 LF 43)		Diesel		10518	235	320	06.08-09.21	■	■
33.320 (D 2066 LF 68)		Diesel		10518	235	320	06.08-09.21	■	■
35.320 (D 2066 LF 39)	09/10-, Rim 22.5	Diesel		10518	235	320	06.08-09.21	■	■
35.320 (D 2066 LF 43)	09/10-, Rim 22.5	Diesel		10518	235	320	06.08-09.21	■	■
35.320 (D 2066 LF 39)	09/10-, Rim 22.5	Diesel		10518	235	320	06.08-09.21	■	■
35.320 (D 2066 LF 43)	09/10-, Rim 22.5	Diesel		10518	235	320	06.08-09.21	■	■
35.320 (D 2066 LF 39)	09/10-, Rim 22.5	Diesel		10518	235	320	08.08-09.21	■	■

# LISTA DE APLICACIONES - BUYERS GUIDE

35.320 (D 2066 LF 43)	09/10-, Rim 22.5	Diesel		10518	235	320	08.08-09.21	■	■
37.320 (D 2066 LF 39)	09/10-, Rim 22.5	Diesel		10518	235	320	07.08-09.21	■	■
37.320 (D 2066 LF 43)	09/10-, Rim 22.5	Diesel		10518	235	320	07.08-09.21	■	■
41.320 (D 2066 LF 39)	09/10-, Rim 22.5	Diesel		10518	235	320	06.08-09.21	■	■
41.320 (D 2066 LF 43)	09/10-, Rim 22.5	Diesel		10518	235	320	06.08-09.21	■	■
41.320 (D 2066 LF 39)	09/10-, Rim 22.5	Diesel		10518	235	320	06.08-09.21	■	■
41.320 (D 2066 LF 43)	09/10-, Rim 22.5	Diesel		10518	235	320	06.08-09.21	■	■
41.320 (D 2066 LF 68)		Diesel		10518	235	320	06.08-09.21	■	■
18.350 (D 2066 LF 03)		Diesel		10518	257	350	10.07-09.21	■	■
33.350 (D 2066 LF 03)		Diesel		10518	257	350	06.08-09.21	■	■
33.350 (D 2066 LF 03)		Diesel		10518	257	350	06.08-09.21	■	■
41.350 (D 2066 LF 03)		Diesel		10518	257	350	06.08-09.21	■	■
18.360 (D 2066 LF 38)	09/10-, Rim 22.5	Diesel		10518	265	360	10.07-09.21	■	■
18.360 (D 2066 LF 42)	09/10-, Rim 22.5	Diesel		10518	265	360	10.07-09.21	■	■
18.360 (D 2066 LF 27)	09/10-, Rim 22.5	Diesel		10518	265	360	10.07-09.21	■	■
18.360 (D 2066 LF 38)	09/10-, Rim 22.5	Diesel		10518	265	360	10.07-09.21	■	■
18.360 (D 2066 LF 42)	09/10-, Rim 22.5	Diesel		10518	265	360	10.07-09.21	■	■
26.360 (D 2066 LF 38)		Diesel		10518	265	360	08.08-09.21	■	■
26.360 (D 2066 LF 42)		Diesel		10518	265	360	08.08-09.21	■	■
26.360 (D 2066 LF 38)	09/10-, Rim 22.5	Diesel		10518	265	360	08.08-09.21	■	■
26.360 (D 2066 LF 42)	09/10-, Rim 22.5	Diesel		10518	265	360	08.08-09.21	■	■
28.360 (D 2066 LF 38)	09/10-, Rim 22.5	Diesel		10518	265	360	08.08-09.21	■	■
33.360 (D 2066 LF 38)	09/10-, Rim 22.5	Diesel		10518	265	360	02.09-09.21	■	■
33.360 (D 2066 LF 42)	09/10-, Rim 22.5	Diesel		10518	265	360	02.09-09.21	■	■
33.360 (D 2066 LF 27)	09/10-, Rim 22.5	Diesel		10518	265	360	10.07-09.21	■	■
33.360 (D 2066 LF 42)	09/10-, Rim 22.5	Diesel		10518	265	360	10.07-09.21	■	■
35.360 (D 2066 LF 38)	09/10-, Rim 22.5	Diesel		10518	265	360	06.08-09.21	■	■
35.360 (D 2066 LF 42)	09/10-, Rim 22.5	Diesel		10518	265	360	06.08-09.21	■	■
35.360 (D 2066 LF 38)	09/10-, Rim 22.5	Diesel		10518	265	360	08.08-09.21	■	■
35.360 (D 2066 LF 42)	09/10-, Rim 22.5	Diesel		10518	265	360	08.08-09.21	■	■
35.360 (D 2066 LF 38)		Diesel		10518	265	360	06.08-09.21	■	■
35.360 (D 2066 LF 42)		Diesel		10518	265	360	06.08-09.21	■	■
35.360 (D 2066 LF 67)		Diesel		10518	265	360	06.08-09.21	■	■
37.360 (D 2066 LF 38)	09/10-, Rim 22.5	Diesel		10518	265	360	07.08-09.21	■	■
37.360 (D 2066 LF 42)	09/10-, Rim 22.5	Diesel		10518	265	360	07.08-09.21	■	■
40.360 (D 2066 LF 07)		Diesel		10518	265	360	06.08-09.21	■	■
40.360 (D 2066 LF 07)		Diesel		10518	265	360	06.08-09.21	■	■
40.360 (D 2066 LF 48)		Diesel		10518	265	360	06.08-09.21	■	■
40.360 (D 2066 LF 64)		Diesel		10518	265	360	06.08-09.21	■	■
41.360 (D 2066 LF 38)	09/10-, Rim 22.5	Diesel		10518	265	360	07.08-09.21	■	■
41.360 (D 2066 LF 42)		Diesel		10518	265	360	07.08-09.21	■	■
41.360 (D 2066 LF 67)		Diesel		10518	265	360	07.08-09.21	■	■
41.360 (D 2066 LF 38)		Diesel		10518	265	360	07.08-09.21	■	■
41.360 (D 2066 LF 42)		Diesel		10518	265	360	07.08-09.21	■	■
41.360 (D 2066 LF 48)		Diesel		10518	265	360	07.08-09.21	■	■
41.360 (D 2066 LF 64)		Diesel		10518	265	360	07.08-09.21	■	■
41.360 (D 2066 LF 67)		Diesel		10518	265	360	07.08-09.21	■	■
18.390 (D 2066 LF 02)		Diesel		10518	287	390	06.08-09.21	■	■
33.390 (D 2066 LF 02)		Diesel		10518	287	390	06.08-09.21	■	■
33.390 (D 2066 LF 02)		Diesel		10518	287	390	06.08-09.21	■	■
35.390 (D 2066 LF 02)		Diesel		10518	287	390	06.08-09.21	■	■

# LISTA DE APLICACIONES - BUYERS GUIDE

40.390 (D 2066 LF 02)		Diesel		10518	287	390	06.08-09.21	■	■
40.390 (D 2066 LF 02)		Diesel		10518	287	390	10.07-09.21	■	■
41.390 (D 2066 LF 02)		Diesel		10518	287	390	06.08-09.21	■	■
41.390 (D 2066 LF 02)		Diesel		10518	287	390	06.08-09.21	■	■
18.400 (D 2066 LF 26)	09/10-, Rim 22.5	Diesel		10518	294	400	10.07-09.21	■	■
18.400 (D 2066 LF 37)	09/10-, Rim 22.5	Diesel		10518	294	400	10.07-09.21	■	■
18.400 (D 2066 LF 41)	09/10-, Rim 22.5	Diesel		10518	294	400	10.07-09.21	■	■
18.400 (D 2066 LF 26)	09/10-, Rim 22.5	Diesel		10518	294	400	10.07-09.21	■	■
18.400 (D 2066 LF 37)	09/10-, Rim 22.5	Diesel		10518	294	400	10.07-09.21	■	■
18.400 (D 2066 LF 41)	09/10-, Rim 22.5	Diesel		10518	294	400	10.07-09.21	■	■
26.400 (D 2066 LF 37)	09/10-, Rim 22.5	Diesel		10518	294	400	02.09-09.21	■	■
26.400 (D 2066 LF 41)	09/10-, Rim 22.5	Diesel		10518	294	400	02.09-09.21	■	■
26.400 (D 2066 LF 26)		Diesel		10518	294	400	02.09-09.21	■	■
26.400 (D 2066 LF 61)		Diesel		10518	294	400	02.09-09.21	■	■
28.400 (D 2066 LF 37)	09/10-, Rim 22.5	Diesel		10518	294	400	08.08-09.21	■	■
33.400 (D 2066 LF 37)	09/10-, Rim 22.5	Diesel		10518	294	400	07.08-09.21	■	■
33.400 (D 2066 LF 41)	09/10-, Rim 22.5	Diesel		10518	294	400	07.08-09.21	■	■
33.400 (D 2066 LF 37)	09/10-, Rim 22.5	Diesel		10518	294	400	07.08-09.21	■	■
33.400 (D 2066 LF 41)	09/10-, Rim 22.5	Diesel		10518	294	400	07.08-09.21	■	■
35.400 (D 2066 LF 37)	09/10-, Rim 22.5	Diesel		10518	294	400	06.08-09.21	■	■
35.400 (D 2066 LF 41)	09/10-, Rim 22.5	Diesel		10518	294	400	06.08-09.21	■	■
35.400 (D 2066 LF 37)	09/10-, Rim 22.5	Diesel		10518	294	400	06.08-09.21	■	■
35.400 (D 2066 LF 41)	09/10-, Rim 22.5	Diesel		10518	294	400	06.08-09.21	■	■
35.400 (D 2066 LF 37)	09/10-, Rim 22.5	Diesel		10518	294	400	08.08-09.21	■	■
35.400 (D 2066 LF 41)	09/10-, Rim 22.5	Diesel		10518	294	400	08.08-09.21	■	■
37.400 (D 2066 LF 37)	09/10-, Rim 22.5	Diesel		10518	294	400	07.08-09.21	■	■
37.400 (D 2066 LF 41)	09/10-, Rim 22.5	Diesel		10518	294	400	07.08-09.21	■	■
40.400 (D 2066 LF 06)	Rim 22.5	Diesel		10518	294	400	02.11-09.21	■	■
40.400 (D 2066 LF 49)	Rim 22.5	Diesel		10518	294	400	02.11-09.21	■	■
40.400 (D 2066 LF 63)	Rim 22.5	Diesel		10518	294	400	02.11-09.21	■	■
40.400 (D 2066 LF 06)		Diesel		10518	294	400	06.08-09.21	■	■
40.400 (D 2066 LF 49)		Diesel		10518	294	400	06.08-09.21	■	■
40.400 (D 2066 LF 63)		Diesel		10518	294	400	06.08-09.21	■	■
41.400 (D 2066 LF 37)	09/10-, Rim 22.5	Diesel		10518	294	400	07.08-09.21	■	■
41.400 (D 2066 LF 41)	09/10-, Rim 22.5	Diesel		10518	294	400	07.08-09.21	■	■
41.400 (D 2066 LF 06)		Diesel		10518	294	400	07.08-09.21	■	■
41.400 (D 2066 LF 61)		Diesel		10518	294	400	07.08-09.21	■	■
41.400 (D 2066 LF 37)		Diesel		10518	294	400	07.08-09.21	■	■
41.400 (D 2066 LF 49)		Diesel		10518	294	400	07.08-09.21	■	■
41.400 (D 2066 LF 61)		Diesel		10518	294	400	07.08-09.21	■	■
41.400 (D 2066 LF 63)		Diesel		10518	294	400	07.08-09.21	■	■
18.430 (D 2066 LF 01)		Diesel		10518	316	430	10.07-09.21	■	■
33.430 (D 2066 LF 01)		Diesel		10518	316	430	06.08-09.21	■	■
33.430 (D 2066 LF 01)		Diesel		10518	316	430	07.08-09.21	■	■
35.430 (D 2066 LF 01)		Diesel		10518	316	430	06.08-09.21	■	■
40.430 (D 2066 LF 01)		Diesel		10518	316	430	06.08-09.21	■	■
40.430 (D 2066 LF 01)		Diesel		10518	316	430	06.08-09.21	■	■
41.430 (D 2066 LF 01)		Diesel		10518	316	430	10.07-09.21	■	■
41.430 (D 2066 LF 01)		Diesel		10518	316	430	07.08-09.21	■	■
18.440 (D 2066 LF 25)	09/10-, Rim 22.5	Diesel		10518	324	440	10.07-09.21	■	■
18.440 (D 2066 LF 36)	09/10-, Rim 22.5	Diesel		10518	324	440	10.07-09.21	■	■

# LISTA DE APLICACIONES - BUYERS GUIDE

18.440 (D 2066 LF 40)	09/10-, Rim 22.5	Diesel		10518	324	440	10.07-09.21	■	■
18.440 (D 2066 LF 25)	09/10-, Rim 22.5	Diesel		10518	324	440	10.07-09.21	■	■
18.440 (D 2066 LF 36)	09/10-, Rim 22.5	Diesel		10518	324	440	10.07-09.21	■	■
18.440 (D 2066 LF 40)	09/10-, Rim 22.5	Diesel		10518	324	440	10.07-09.21	■	■
26.440 (D 2066 LF 36)	09/10-, Rim 22.5	Diesel		10518	324	440	07.08-09.21	■	■
26.440 (D 2066 LF 40)	09/10-, Rim 22.5	Diesel		10518	324	440	07.08-09.21	■	■
26.440 (D 2066 LF 36)	09/10-, Rim 22.5	Diesel		10518	324	440	11.07-09.21	■	■
26.440 (D 2066 LF 40)	09/10-, Rim 22.5	Diesel		10518	324	440	11.07-09.21	■	■
28.440 (D 2066 LF 36)	09/10-, Rim 22.5	Diesel		10518	324	440	08.08-09.21	■	■
33.440 (D 2066 LF 25)	09/10-, Rim 22.5	Diesel		10518	324	440	11.07-09.21	■	■
33.440 (D 2066 LF 36)	09/10-, Rim 22.5	Diesel		10518	324	440	11.07-09.21	■	■
33.440 (D 2066 LF 40)	09/10-, Rim 22.5	Diesel		10518	324	440	11.07-09.21	■	■
33.440 (D 2066 LF 36)	09/10-, Rim 22.5	Diesel		10518	324	440	06.08-09.21	■	■
33.440 (D 2066 LF 40)	09/10-, Rim 22.5	Diesel		10518	324	440	06.08-09.21	■	■
35.440 (D 2066 LF 36)	09/10-, Rim 22.5	Diesel		10518	324	440	06.08-09.21	■	■
35.440 (D 2066 LF 40)	09/10-, Rim 22.5	Diesel		10518	324	440	06.08-09.21	■	■
35.440 (D 2066 LF 36)	09/10-, Rim 22.5	Diesel		10518	324	440	06.08-09.21	■	■
35.440 (D 2066 LF 40)	09/10-, Rim 22.5	Diesel		10518	324	440	06.08-09.21	■	■
35.440 (D 2066 LF 36)	09/10-, Rim 22.5	Diesel		10518	324	440	08.08-09.21	■	■
35.440 (D 2066 LF 40)	09/10-, Rim 22.5	Diesel		10518	324	440	08.08-09.21	■	■
37.440 (D 2066 LF 36)	09/10-, Rim 22.5	Diesel		10518	324	440	07.08-09.21	■	■
37.440 (D 2066 LF 40)	09/10-, Rim 22.5	Diesel		10518	324	440	07.08-09.21	■	■
40.440 (D 2066 LF 50)	Rim 22.5	Diesel		10518	324	441	02.11-09.21	■	■
40.440 (D 2066 LF 62)	Rim 22.5	Diesel		10518	324	441	02.11-09.21	■	■
40.440 (D 2066 LF 50)		Diesel		10518	324	440	06.08-09.21	■	■
40.440 (D 2066 LF 62)		Diesel		10518	324	440	06.08-09.21	■	■
41.440 (D 2066 LF 36)	09/10-, Rim 22.5	Diesel		10518	324	440	06.08-09.21	■	■
41.440 (D 2066 LF 40)	09/10-, Rim 22.5	Diesel		10518	324	440	06.08-09.21	■	■
41.440 (D 2066 LF 36)	09/10-, Rim 22.5	Diesel		10518	324	440	06.08-09.21	■	■
41.440 (D 2066 LF 40)	09/10-, Rim 22.5	Diesel		10518	324	440	06.08-09.21	■	■
41.440 (D 2066 LF 36)	09/10-, Rim 22.5	Diesel		10518	324	440	07.08-09.21	■	■
41.440 (D 2066 LF 40)	09/10-, Rim 22.5	Diesel		10518	324	440	07.08-09.21	■	■
41.440 (D 2066 LF 36)		Diesel		10518	324	440	10.07-09.21	■	■
41.440 (D 2066 LF 40)		Diesel		10518	324	440	10.07-09.21	■	■
41.440 (D 2066 LF 50)		Diesel		10518	324	440	10.07-09.21	■	■
41.440 (D 2066 LF 62)		Diesel		10518	324	440	10.07-09.21	■	■
18.440 (D 2676 LF 26)		Diesel		12419	324	440	10.07-09.21	■	■
18.440 (D 2676 LF 26)		Diesel		12419	324	440	10.07-09.21	■	■
26.440 (D 2676 LF 26)		Diesel		12419	324	440	07.08-09.21	■	■
26.440 (D 2676 LF 26)		Diesel		12419	324	441	02.09-09.21	■	■
28.440 (D 2676 LF 26)		Diesel		12419	324	440	08.08-09.21	■	■
33.440 (D 2676 LF 04)		Diesel		12419	324	440	10.07-09.21	■	■
33.440 (D 2676 LF 26)		Diesel		12419	324	440	10.07-09.21	■	■
33.440 (D 2676 LF 04)		Diesel		12419	324	440	07.08-09.21	■	■
33.440 (D 2676 LF 26)		Diesel		12419	324	440	07.08-09.21	■	■
35.440 (D 2676 LF 22)		Diesel		12419	324	441	08.08-09.21	■	■
35.440 (D 2676 LF 26)		Diesel		12419	324	441	08.08-09.21	■	■
35.440 (D 2676 LF 26)		Diesel		12419	324	440	06.08-09.21	■	■
35.440 (D 2676 LF 26)		Diesel		12419	324	440	06.08-09.21	■	■
37.440 (D 2676 LF 26)		Diesel		12419	324	440	07.08-09.21	■	■
40.440 (D 2676 LF 04)	Rim 22.5	Diesel		12419	324	441	02.11-09.21	■	■



# LISTA DE APLICACIONES - BUYERS GUIDE

35.540 (D 2676 LF 06)	09/10-, Rim 22.5	Diesel		12419	397	540	02.07-	■	■
35.540 (D 2676 LF 06)	09/10-, Rim 22.5	Diesel		12419	397	540	02.09-09.21	■	■
37.540 (D 2676 LF 06)	09/10-, Rim 22.5	Diesel		12419	397	540	02.09-09.21	■	■
41.540 (D 2676 LF 06)	09/10-, Rim 22.5	Diesel		12419	397	540	03.07-	■	■
41.540 (D 2676 LF 06)	09/10-, Rim 22.5	Diesel		12419	397	540	02.07-	■	■
41.540 (D 2676 LF 06)	09/10-, Rim 22.5	Diesel		12419	397	540	02.09-09.21	■	■
<b>TGS 01.05-</b>					<b>Municipal Vehicle</b>				
26.320		Diesel		10518	235	320	10.07-09.21	■	■
26.360		Diesel		10518	265	360	10.07-09.21	■	■
26.400		Diesel		10518	294	400	10.07-09.21	■	■
26.440		Diesel		10518	324	440	10.07-09.21	■	■
26.480		Diesel		12419	353	480	10.07-09.21	■	■
26.540		Diesel		12419	397	540	10.07-09.21	■	■
<b>TGS 01.05-</b>					<b>Platform/Chassis</b>				
18.320 (D 2066 LF 28)	09/10-, Rim 22.5	Diesel		10518	235	320	10.07-09.21	■	■
18.320 (D 2066 LF 39)	09/10-, Rim 22.5	Diesel		10518	235	320	10.07-09.21	■	■
18.320 (D 2066 LF 43)	09/10-, Rim 22.5	Diesel		10518	235	320	10.07-09.21	■	■
18.320 (D 2066 LF 39)	09/10-, Rim 22.5	Diesel		10518	235	320	10.07-09.21	■	■
18.320 (D 2066 LF 43)	09/10-, Rim 22.5	Diesel		10518	235	320	10.07-09.21	■	■
24.320 (D 2066 LF 28)	09/10-, Rim 22.5	Diesel		10518	235	320	10.07-09.21	■	■
24.320 (D 2066 LF 43)	09/10-, Rim 22.5	Diesel		10518	235	320	10.07-09.21	■	■
26.320 (D 2066 LF 28)	09/10-, Rim 22.5	Diesel		10518	235	320	10.07-09.21	■	■
26.320 (D 2066 LF 39)	09/10-, Rim 22.5	Diesel		10518	235	320	10.07-09.21	■	■
26.320 (D 2066 LF 43)	09/10-, Rim 22.5	Diesel		10518	235	320	10.07-09.21	■	■
26.320 (D 2066 LF 39)	09/10-, Rim 22.5	Diesel		10518	235	320	07.08-09.21	■	■
26.320 (D 2066 LF 43)	09/10-, Rim 22.5	Diesel		10518	235	320	07.08-09.21	■	■
26.320 (D 2066 LF 39)	09/10-, Rim 22.5	Diesel		10518	235	320	07.08-09.21	■	■
26.320 (D 2066 LF 43)	09/10-, Rim 22.5	Diesel		10518	235	320	07.08-09.21	■	■
26.320 (D 2066 LF 39)	09/10-, Rim 22.5	Diesel		10518	235	320	10.07-09.21	■	■
26.320		Diesel		10518	235	320	10.07-09.21	■	■
28.320 (D 2066 LF 39)	09/10-, Rim 22.5	Diesel		10518	235	320	07.08-09.21	■	■
28.320 (D 2066 LF 43)	09/10-, Rim 22.5	Diesel		10518	235	320	07.08-09.21	■	■
28.320 (D 2066 LF 39)	09/10-, Rim 22.5	Diesel		10518	235	320	07.08-09.21	■	■
28.320 (D 2066 LF 43)	09/10-, Rim 22.5	Diesel		10518	235	320	07.08-09.21	■	■
28.320		Diesel		10518	235	320	07.08-09.21	■	■
32.320 (D 2066 LF 39)		Diesel		10518	235	320	08.08-09.21	■	■
32.320 (D 2066 LF 53)		Diesel		10518	235	320	08.08-09.21	■	■
32.320 (D 2066 LF 68)		Diesel		10518	235	320	08.08-09.21	■	■
33.320 (D 2066 LF 39)		Diesel		10518	235	320	06.08-09.21	■	■
33.320 (D 2066 LF 43)		Diesel		10518	235	320	06.08-09.21	■	■
33.320 (D 2066 LF 68)		Diesel		10518	235	320	06.08-09.21	■	■
33.320 (D 2066 LF 39)		Diesel		10518	235	320	06.08-09.21	■	■
33.320 (D 2066 LF 43)		Diesel		10518	235	320	06.08-09.21	■	■
33.320 (D 2066 LF 68)		Diesel		10518	235	320	06.08-09.21	■	■
35.320 (D 2066 LF 39)	09/10-, Rim 22.5	Diesel		10518	235	320	06.08-09.21	■	■
35.320 (D 2066 LF 43)	09/10-, Rim 22.5	Diesel		10518	235	320	06.08-09.21	■	■
35.320 (D 2066 LF 39)	09/10-, Rim 22.5	Diesel		10518	235	320	01.09-09.21	■	■
35.320 (D 2066 LF 43)	09/10-, Rim 22.5	Diesel		10518	235	320	01.09-09.21	■	■
35.320 (D 2066 LF 43)		Diesel		10518	235	320	10.07-09.21	■	■
35.320 (D 2066 LF 68)		Diesel		10518	235	320	10.07-09.21	■	■
37.320 (D 2066 LF 39)	09/10-, Rim 22.5	Diesel		10518	235	320	07.08-09.21	■	■







# LISTA DE APLICACIONES - BUYERS GUIDE

37.440 (D 2066 LF 36)	09/10-, Rim 22.5	Diesel		10518	324	440	07.08-09.21	■	■
37.440 (D 2066 LF 40)	09/10-, Rim 22.5	Diesel		10518	324	440	07.08-09.21	■	■
41.440 (D 2066 LF 36)	09/10-, Rim 22.5	Diesel		10518	324	440	07.08-09.21	■	■
41.440 (D 2066 LF 40)	09/10-, Rim 22.5	Diesel		10518	324	440	07.08-09.21	■	■
41.440 (D 2066 LF 36)		Diesel		10518	324	440	06.08-09.21	■	■
26.480 FDAC, FDALC, FDHLC, FDHLC/M (D 2676 LF 05)	09/10-, Rim 22.5	Diesel		12412	353	480	02.09-	■	■
26.480 FDAC, FDALC, FDHLC, FDHLC/M (D 2676 LF 07)	09/10-, Rim 22.5	Diesel		12412	353	480	02.09-	■	■
41.480 FFDARC (D 2676 LF 05)	09/10-, Rim 22.5	Diesel		12412	353	480	06.08-	■	■
18.440 (D 2676 LF 26)		Diesel		12419	324	441	10.07-09.21	■	■
18.440 (D 2676 LF 26)		Diesel		12419	324	441	10.07-09.21	■	■
24.440 (D 2676 LF 26)		Diesel		12419	324	441	10.07-09.21	■	■
26.440 (D 2676 LF 22)		Diesel		12419	324	441	10.07-09.21	■	■
26.440 (D 2676 LF 26)		Diesel		12419	324	441	10.07-09.21	■	■
26.440 (D 2676 LF 04)		Diesel		12419	324	440	02.09-09.21	■	■
26.440 (D 2676 LF 26)		Diesel		12419	324	440	02.09-09.21	■	■
26.440 (D 2676 LF 26)		Diesel		12419	324	440	02.09-09.21	■	■
26.440		Diesel		12419	324	441	10.07-09.21	■	■
28.440 (D 2676 LF 26)		Diesel		12419	324	441	08.08-09.21	■	■
28.440 (D 2676 LF 26)		Diesel		12419	324	440	08.08-09.21	■	■
32.440 (D 2676 LF 22)		Diesel		12419	324	440	08.08-09.21	■	■
32.440 (D 2676 LF 26)		Diesel		12419	324	440	08.08-09.21	■	■
33.440 (D 2676 LF 04)		Diesel		12419	324	441	08.08-09.21	■	■
33.440 (D 2676 LF 26)		Diesel		12419	324	441	08.08-09.21	■	■
33.440 (D 2676 LF 04)		Diesel		12419	324	440	07.08-09.21	■	■
33.440 (D 2676 LF 26)		Diesel		12419	324	440	07.08-09.21	■	■
35.440 (D 2676 LF 26)		Diesel		12419	324	440	06.08-09.21	■	■
35.440 (D 2676 LF 26)		Diesel		12419	324	440	06.08-09.21	■	■
37.440 (D 2676 LF 26)		Diesel		12419	324	440	07.08-09.21	■	■
41.440 (D 2676 LF 04)		Diesel		12419	324	440	06.08-09.21	■	■
41.440 (D 2676 LF 26)		Diesel		12419	324	440	06.08-09.21	■	■
18.480 (D 2676 LF 05)	09/10-, Rim 22.5	Diesel		12419	353	480	10.07-09.21	■	■
18.480 (D 2676 LF 07)	09/10-, Rim 22.5	Diesel		12419	353	480	10.07-09.21	■	■
18.480 (D 2676 LF 14)	09/10-, Rim 22.5	Diesel		12419	353	480	10.07-09.21	■	■
18.480 (D 2676 LF 05)	09/10-, Rim 22.5	Diesel		12419	353	480	10.07-09.21	■	■
18.480 (D 2676 LF 07)	09/10-, Rim 22.5	Diesel		12419	353	480	10.07-09.21	■	■
24.480 (D 2676 LF 25)		Diesel		12419	353	480	10.07-09.21	■	■
26.480 (D 2676 LF 05)	09/10-, Rim 22.5	Diesel		12419	353	480	10.07-09.21	■	■
26.480 (D 2676 LF 07)	09/10-, Rim 22.5	Diesel		12419	353	480	10.07-09.21	■	■
26.480 (D 2676 LF 14)	09/10-, Rim 22.5	Diesel		12419	353	480	10.07-09.21	■	■
26.480 (D 2676 LF 05)	09/10-, Rim 22.5	Diesel		12419	353	480	02.09-09.21	■	■
26.480 (D 2676 LF 07)	09/10-, Rim 22.5	Diesel		12419	353	480	02.09-09.21	■	■
26.480 (D 2676 LF 05)	09/10-, Rim 22.5	Diesel		12419	353	480	10.07-09.21	■	■
26.480 (D 2676 LF 05)		Diesel		12419	353	480	02.09-09.21	■	■
26.480 (D 2676 LF 07)		Diesel		12419	353	480	02.09-09.21	■	■
26.480 (D 2676 LF 25)		Diesel		12419	353	480	02.09-09.21	■	■
26.480		Diesel		12419	353	480	10.07-09.21	■	■
28.480 (D 2676 LF 05)	09/10-, Rim 22.5	Diesel		12419	353	480	08.08-09.21	■	■
28.480 (D 2676 LF 07)	09/10-, Rim 22.5	Diesel		12419	353	480	08.08-09.21	■	■
28.480 (D 2676 LF 05)	09/10-, Rim 22.5	Diesel		12419	353	480	08.08-09.21	■	■
28.480		Diesel		12419	353	480	08.08-09.21	■	■
32.480 (D 2676 LF 25)		Diesel		12419	353	480	08.08-09.21	■	■



## LISTA DE APLICACIONES - BUYERS GUIDE

26.320 (D 2066 LF 39)	09/10-, Rim 22.5	Diesel		10518	235	320	07.08-09.21	■	■
26.320 (D 2066 LF 43)	09/10-, Rim 22.5	Diesel		10518	235	320	07.08-09.21	■	■
26.320 (D 2066 LF 39)	09/10-, Rim 22.5	Diesel		10518	235	320	07.08-09.21	■	■
26.320 (D 2066 LF 43)	09/10-, Rim 22.5	Diesel		10518	235	320	07.08-09.21	■	■
26.320		Diesel		10518	235	320	07.08-09.21	■	■
28.320 (D 2066 LF 39)	09/10-, Rim 22.5	Diesel		10518	235	320	07.08-09.21	■	■
33.320 (D 2066 LF 39)		Diesel		10518	235	320	06.08-09.21	■	■
33.320 (D 2066 LF 43)		Diesel		10518	235	320	06.08-09.21	■	■
33.320 (D 2066 LF 68)		Diesel		10518	235	320	06.08-09.21	■	■
33.320 (D 2066 LF 39)		Diesel		10518	235	320	06.08-09.21	■	■
33.320 (D 2066 LF 43)		Diesel		10518	235	320	06.08-09.21	■	■
33.320 (D 2066 LF 68)		Diesel		10518	235	320	06.08-09.21	■	■
18.350 (D 2066 LF 03)		Diesel		10518	257	350	10.07-09.21	■	■
26.350 (D 2066 LF 03)		Diesel		10518	257	350	10.07-09.21	■	■
28.350 (D 2066 LF 03)		Diesel		10518	257	350	08.08-09.21	■	■
33.350 (D 2066 LF 03)		Diesel		10518	257	350	06.08-09.21	■	■
33.350 (D 2066 LF 03)		Diesel		10518	257	350	06.08-09.21	■	■
18.360 (D 2066 LF 38)	09/10-, Rim 22.5	Diesel		10518	265	360	10.07-09.21	■	■
18.360 (D 2066 LF 42)	09/10-, Rim 22.5	Diesel		10518	265	360	10.07-09.21	■	■
18.360 (D 2066 LF 27)	09/10-, Rim 22.5	Diesel		10518	265	360	10.07-09.21	■	■
18.360 (D 2066 LF 38)	09/10-, Rim 22.5	Diesel		10518	265	360	10.07-09.21	■	■
18.360 (D 2066 LF 42)	09/10-, Rim 22.5	Diesel		10518	265	360	10.07-09.21	■	■
19.360 (D 2066 LF 07)	Rim 22.5	Diesel		10518	265	360	02.11-09.21	■	■
19.360 (D 2066 LF 48)	Rim 22.5	Diesel		10518	265	360	02.11-09.21	■	■
19.360 (D 2066 LF 64)	Rim 22.5	Diesel		10518	265	360	02.11-09.21	■	■
21.360		Diesel		10518	265	360	10.07-09.21	■	■
24.360 (D 2066 LF 27)	09/10-, Rim 22.5	Diesel		10518	265	360	10.07-09.21	■	■
24.360 (D 2066 LF 38)	09/10-, Rim 22.5	Diesel		10518	265	360	10.07-09.21	■	■
24.360 (D 2066 LF 42)	09/10-, Rim 22.5	Diesel		10518	265	360	10.07-09.21	■	■
26.360 (D 2066 LF 38)	09/10-, Rim 22.5	Diesel		10518	265	360	08.08-09.21	■	■
26.360 (D 2066 LF 42)	09/10-, Rim 22.5	Diesel		10518	265	360	08.08-09.21	■	■
26.360 (D 2066 LF 38)	09/10-, Rim 22.5	Diesel		10518	265	360	08.08-09.21	■	■
26.360 (D 2066 LF 42)	09/10-, Rim 22.5	Diesel		10518	265	360	08.08-09.21	■	■
26.360 (D 2066 LF 38)	09/10-, Rim 22.5	Diesel		10518	265	360	08.08-09.21	■	■
26.360 (D 2066 LF 42)	09/10-, Rim 22.5	Diesel		10518	265	360	08.08-09.21	■	■
26.360 (D 2066 LF 38)	09/10-, Rim 22.5	Diesel		10518	265	360	05.08-	■	■
26.360 (D 2066 LF 38)	09/10-, Rim 22.5	Diesel		10518	265	360	05.08-09.21	■	■
26.360		Diesel		10518	265	360	08.08-09.21	■	■
28.360 (D 2066 LF 38)	09/10-, Rim 22.5	Diesel		10518	265	360	08.08-09.21	■	■
28.360 (D 2066 LF 42)	09/10-, Rim 22.5	Diesel		10518	265	360	08.08-09.21	■	■
33.360 (D 2066 LF 38)	09/10-, Rim 22.5	Diesel		10518	265	360	06.08-09.21	■	■
33.360 (D 2066 LF 42)	09/10-, Rim 22.5	Diesel		10518	265	360	06.08-09.21	■	■
33.360 (D 2066 LF 38)	09/10-, Rim 22.5	Diesel		10518	265	360	10.07-09.21	■	■
33.360 (D 2066 LF 42)	09/10-, Rim 22.5	Diesel		10518	265	360	10.07-09.21	■	■
40.360 (D 2066 LF 48)		Diesel		10518	265	360	06.08-09.21	■	■
40.360 (D 2066 LF 64)		Diesel		10518	265	360	06.08-09.21	■	■
40.360 (D 2066 LF 48)		Diesel		10518	265	360	10.07-09.21	■	■
40.360 (D 2066 LF 64)		Diesel		10518	265	360	10.07-09.21	■	■
18.390 (D 2066 LF 02)		Diesel		10518	287	390	06.08-09.21	■	■
26.390 (D 2066 LF 02)		Diesel		10518	287	390	06.08-09.21	■	■
26.390 (D 2066 LF 02)		Diesel		10518	287	390	06.08-09.21	■	■

# LISTA DE APLICACIONES - BUYERS GUIDE

28.390 (D 2066 LF 02)		Diesel		10518	287	390	06.08-09.21	■	■
33.390 (D 2066 LF 02)		Diesel		10518	287	390	06.08-09.21	■	■
33.390 (D 2066 LF 02)		Diesel		10518	287	390	06.08-09.21	■	■
40.390 (D 2066 LF 02)		Diesel		10518	287	390	06.08-09.21	■	■
40.390 (D 2066 LF 02)		Diesel		10518	287	390	10.07-09.21	■	■
18.400 (D 2066 LF 26)	09/10-, Rim 22.5	Diesel		10518	294	400	10.07-09.21	■	■
18.400 (D 2066 LF 37)	09/10-, Rim 22.5	Diesel		10518	294	400	10.07-09.21	■	■
18.400 (D 2066 LF 41)	09/10-, Rim 22.5	Diesel		10518	294	400	10.07-09.21	■	■
18.400 (D 2066 LF 26)	09/10-, Rim 22.5	Diesel		10518	294	400	10.07-09.21	■	■
18.400 (D 2066 LF 37)	09/10-, Rim 22.5	Diesel		10518	294	400	10.07-09.21	■	■
18.400 (D 2066 LF 41)	09/10-, Rim 22.5	Diesel		10518	294	400	10.07-09.21	■	■
19.400 (D 2066 LF 06)	Rim 22.5	Diesel		10518	294	400	02.11-09.21	■	■
19.400 (D 2066 LF 49)	Rim 22.5	Diesel		10518	294	400	02.11-09.21	■	■
19.400 (D 2066 LF 63)	Rim 22.5	Diesel		10518	294	400	02.11-09.21	■	■
21.400		Diesel		10518	294	400	10.07-09.21	■	■
24.400 (D 2066 LF 26)	09/10-, Rim 22.5	Diesel		10518	294	400	10.07-09.21	■	■
24.400 (D 2066 LF 37)	09/10-, Rim 22.5	Diesel		10518	294	400	10.07-09.21	■	■
24.400 (D 2066 LF 41)	09/10-, Rim 22.5	Diesel		10518	294	400	10.07-09.21	■	■
26.400 (D 2066 LF 37)	09/10-, Rim 22.5	Diesel		10518	294	400	02.09-09.21	■	■
26.400 (D 2066 LF 41)	09/10-, Rim 22.5	Diesel		10518	294	400	02.09-09.21	■	■
26.400 (D 2066 LF 37)	09/10-, Rim 22.5	Diesel		10518	294	400	05.08-09.21	■	■
26.400 (D 2066 LF 41)	09/10-, Rim 22.5	Diesel		10518	294	400	05.08-09.21	■	■
26.400 (D 2066 LF 37)	09/10-, Rim 22.5	Diesel		10518	294	400	09.07-09.21	■	■
26.400 (D 2066 LF 41)	09/10-, Rim 22.5	Diesel		10518	294	400	09.07-09.21	■	■
26.400 (D 2066 LF 26)	09/10-, Rim 22.5	Diesel		10518	294	400	11.07-	■	■
26.400 (D 2066 LF 37)	09/10-, Rim 22.5	Diesel		10518	294	400	11.07-	■	■
26.400 (D 2066 LF 41)	09/10-, Rim 22.5	Diesel		10518	294	400	11.07-	■	■
26.400 (D 2066 LF 37)	09/10-, Rim 22.5	Diesel		10518	294	400	05.08-	■	■
26.400 (D 2066 LF 37)	09/10-, Rim 22.5	Diesel		10518	294	400	05.08-09.21	■	■
26.400		Diesel		10518	294	400	02.09-09.21	■	■
28.400 (D 2066 LF 37)	09/10-, Rim 22.5	Diesel		10518	294	400	08.08-09.21	■	■
28.400 (D 2066 LF 41)	09/10-, Rim 22.5	Diesel		10518	294	400	08.08-09.21	■	■
33.400 (D 2066 LF 37)	09/10-, Rim 22.5	Diesel		10518	294	400	07.08-09.21	■	■
33.400 (D 2066 LF 41)	09/10-, Rim 22.5	Diesel		10518	294	400	07.08-09.21	■	■
33.400 (D 2066 LF 37)	09/10-, Rim 22.5	Diesel		10518	294	400	07.08-09.21	■	■
33.400 (D 2066 LF 41)	09/10-, Rim 22.5	Diesel		10518	294	400	07.08-09.21	■	■
40.400 (D 2066 LF 06)	Rim 22.5	Diesel		10518	294	400	02.11-09.21	■	■
40.400 (D 2066 LF 49)	Rim 22.5	Diesel		10518	294	400	02.11-09.21	■	■
40.400 (D 2066 LF 63)	Rim 22.5	Diesel		10518	294	400	02.11-09.21	■	■
40.400 (D 2066 LF 06)		Diesel		10518	294	400	06.08-09.21	■	■
40.400 (D 2066 LF 49)		Diesel		10518	294	400	06.08-09.21	■	■
40.400 (D 2066 LF 63)		Diesel		10518	294	400	06.08-09.21	■	■
18.430 (D 2066 LF 01)		Diesel		10518	316	430	10.07-09.21	■	■
26.430 (D 2066 LF 01)		Diesel		10518	316	430	10.07-09.21	■	■
26.430 (D 2066 LF 01)		Diesel		10518	316	430	10.07-09.21	■	■
28.430 (D 2066 LF 01)		Diesel		10518	316	430	08.08-09.21	■	■
33.430 (D 2066 LF 01)		Diesel		10518	316	430	06.08-09.21	■	■
33.430 (D 2066 LF 01)		Diesel		10518	316	430	07.08-09.21	■	■
40.430 (D 2066 LF 01)		Diesel		10518	316	430	06.08-09.21	■	■
40.430 (D 2066 LF 01)		Diesel		10518	316	430	06.08-09.21	■	■
18.440 (D 2066 LF 25)	09/10-, Rim 22.5	Diesel		10518	324	440	10.07-09.21	■	■

# LISTA DE APLICACIONES - BUYERS GUIDE

18.440 (D 2066 LF 36)	09/10-, Rim 22.5	Diesel		10518	324	440	10.07-09.21	■	■
18.440 (D 2066 LF 40)	09/10-, Rim 22.5	Diesel		10518	324	440	10.07-09.21	■	■
18.440 (D 2066 LF 25)	09/10-, Rim 22.5	Diesel		10518	324	440	10.07-09.21	■	■
18.440 (D 2066 LF 36)	09/10-, Rim 22.5	Diesel		10518	324	440	10.07-09.21	■	■
18.440 (D 2066 LF 40)	09/10-, Rim 22.5	Diesel		10518	324	440	10.07-09.21	■	■
19.440 (D 2066 LF 50)	Rim 22.5	Diesel		10518	324	441	02.11-09.21	■	■
19.440 (D 2066 LF 62)	Rim 22.5	Diesel		10518	324	441	02.11-09.21	■	■
21.440		Diesel		10518	324	441	10.07-09.21	■	■
24.440 (D 2066 LF 25)	09/10-, Rim 22.5	Diesel		10518	324	440	10.07-09.21	■	■
24.440 (D 2066 LF 36)	09/10-, Rim 22.5	Diesel		10518	324	440	10.07-09.21	■	■
24.440 (D 2066 LF 40)	09/10-, Rim 22.5	Diesel		10518	324	440	10.07-09.21	■	■
26.440 (D 2066 LF 36)	09/10-, Rim 22.5	Diesel		10518	324	440	02.09-09.21	■	■
26.440 (D 2066 LF 40)	09/10-, Rim 22.5	Diesel		10518	324	440	02.09-09.21	■	■
26.440 (D 2066 LF 36)	09/10-, Rim 22.5	Diesel		10518	324	440	05.08-09.21	■	■
26.440 (D 2066 LF 40)	09/10-, Rim 22.5	Diesel		10518	324	440	05.08-09.21	■	■
26.440 (D 2066 LF 36)	09/10-, Rim 22.5	Diesel		10518	324	440	02.09-09.21	■	■
26.440 (D 2066 LF 40)	09/10-, Rim 22.5	Diesel		10518	324	440	02.09-09.21	■	■
26.440 (D 2066 LF 36)	09/10-, Rim 22.5	Diesel		10518	324	440	05.08-	■	■
26.440 (D 2066 LF 36)	09/10-, Rim 22.5	Diesel		10518	324	440	05.08-09.21	■	■
26.440		Diesel		10518	324	440	02.09-09.21	■	■
28.440 (D 2066 LF 36)	09/10-, Rim 22.5	Diesel		10518	324	440	08.08-09.21	■	■
28.440 (D 2066 LF 40)	09/10-, Rim 22.5	Diesel		10518	324	440	08.08-09.21	■	■
33.440 (D 2066 LF 36)	09/10-, Rim 22.5	Diesel		10518	324	440	10.07-09.21	■	■
33.440 (D 2066 LF 40)	09/10-, Rim 22.5	Diesel		10518	324	440	10.07-09.21	■	■
33.440 (D 2066 LF 36)	09/10-, Rim 22.5	Diesel		10518	324	440	06.08-09.21	■	■
33.440 (D 2066 LF 40)	09/10-, Rim 22.5	Diesel		10518	324	440	06.08-09.21	■	■
40.440 (D 2066 LF 50)	Rim 22.5	Diesel		10518	324	441	02.11-09.21	■	■
40.440 (D 2066 LF 62)	Rim 22.5	Diesel		10518	324	441	02.11-09.21	■	■
40.440 (D 2066 LF 50)		Diesel		10518	324	440	06.08-09.21	■	■
40.440 (D 2066 LF 62)		Diesel		10518	324	440	06.08-09.21	■	■
18.440 (D 2676 LF 22)		Diesel		12419	324	440	10.07-09.21	■	■
18.440 (D 2676 LF 26)		Diesel		12419	324	440	10.07-09.21	■	■
18.440 (D 2676 LF 26)		Diesel		12419	324	441	10.07-09.21	■	■
19.440 (D 2676 LF 04)	Rim 22.5	Diesel		12419	324	441	02.11-09.21	■	■
21.440		Diesel		12419	324	441	10.07-09.21	■	■
24.440 (D 2676 LF 22)		Diesel		12419	324	440	10.07-09.21	■	■
24.440 (D 2676 LF 26)		Diesel		12419	324	440	10.07-09.21	■	■
26.440 (D 2676 LF 22)		Diesel		12419	324	440	10.07-09.21	■	■
26.440 (D 2676 LF 26)		Diesel		12419	324	440	10.07-09.21	■	■
26.440 (D 2676 LF 04)		Diesel		12419	324	440	05.08-09.21	■	■
26.440 (D 2676 LF 26)		Diesel		12419	324	440	05.08-09.21	■	■
26.440 (D 2676 LF 26)		Diesel		12419	324	441	02.09-09.21	■	■
26.440		Diesel		12419	324	440	10.07-09.21	■	■
28.440 (D 2676 LF 26)		Diesel		12419	324	441	08.08-09.21	■	■
33.440 (D 2676 LF 04)		Diesel		12419	324	440	10.07-09.21	■	■
33.440 (D 2676 LF 26)		Diesel		12419	324	440	10.07-09.21	■	■
33.440 (D 2676 LF 04)		Diesel		12419	324	440	07.08-09.21	■	■
33.440 (D 2676 LF 26)		Diesel		12419	324	440	07.08-09.21	■	■
40.440 (D 2676 LF 04)	Rim 22.5	Diesel		12419	324	441	02.11-09.21	■	■
40.440 (D 2676 LF 04)		Diesel		12419	324	440	06.08-09.21	■	■
18.480 (D 2676 LF 05)	09/10-, Rim 22.5	Diesel		12419	353	480	10.07-09.21	■	■

# LISTA DE APLICACIONES - BUYERS GUIDE

18.480 (D 2676 LF 07)	09/10-, Rim 22.5	Diesel		12419	353	480	10.07-09.21	■	■
18.480 (D 2676 LF 14)	09/10-, Rim 22.5	Diesel		12419	353	480	10.07-09.21	■	■
18.480 (D 2676 LF 05)	09/10-, Rim 22.5	Diesel		12419	353	480	10.07-09.21	■	■
18.480 (D 2676 LF 07)	09/10-, Rim 22.5	Diesel		12419	353	480	10.07-09.21	■	■
19.480 (D 2676 LF 02)	Rim 22.5	Diesel		12419	353	480	02.11-09.21	■	■
19.480 (D 2676 LF 03)	Rim 22.5	Diesel		12419	353	480	02.11-09.21	■	■
19.480 (D 2676 LF 20)	Rim 22.5	Diesel		12419	353	480	02.11-09.21	■	■
19.480 (D 2676 LF 31)	Rim 22.5	Diesel		12419	353	480	02.11-09.21	■	■
21.480		Diesel		12419	353	480	10.07-09.21	■	■
24.480 (D 2676 LF 05)	09/10-, Rim 22.5	Diesel		12419	353	480	10.07-09.21	■	■
24.480 (D 2676 LF 07)	09/10-, Rim 22.5	Diesel		12419	353	480	10.07-09.21	■	■
24.480 (D 2676 LF 14)	09/10-, Rim 22.5	Diesel		12419	353	480	10.07-09.21	■	■
26.480 (D 2676 LF 05)	09/10-, Rim 22.5	Diesel		12419	353	480	02.09-09.21	■	■
26.480 (D 2676 LF 07)	09/10-, Rim 22.5	Diesel		12419	353	480	02.09-09.21	■	■
26.480 (D 2676 LF 05)	09/10-, Rim 22.5	Diesel		12419	353	480	05.08-09.21	■	■
26.480 (D 2676 LF 07)	09/10-, Rim 22.5	Diesel		12419	353	480	05.08-09.21	■	■
26.480 (D 2676 LF 05)	09/10-, Rim 22.5	Diesel		12419	353	480	02.09-09.21	■	■
26.480 (D 2676 LF 07)	09/10-, Rim 22.5	Diesel		12419	353	480	02.09-09.21	■	■
26.480 (D 2676 LF 05)	09/10-, Rim 22.5	Diesel		12419	353	480	05.08-	■	■
26.480 (D 2676 LF 05)	09/10-, Rim 22.5	Diesel		12419	353	480	05.08-09.21	■	■
26.480		Diesel		12419	353	480	02.09-09.21	■	■
28.480 (D 2676 LF 05)	09/10-, Rim 22.5	Diesel		12419	353	480	08.08-09.21	■	■
28.480 (D 2676 LF 07)	09/10-, Rim 22.5	Diesel		12419	353	480	08.08-09.21	■	■
33.480 (D 2676 LF 05)	09/10-, Rim 22.5	Diesel		12419	353	480	10.07-09.21	■	■
33.480 (D 2676 LF 07)	09/10-, Rim 22.5	Diesel		12419	353	480	10.07-09.21	■	■
33.480 (D 2676 LF 05)	09/10-, Rim 22.5	Diesel		12419	353	480	08.08-09.21	■	■
33.480 (D 2676 LF 07)	09/10-, Rim 22.5	Diesel		12419	353	480	08.08-09.21	■	■
40.480 (D 2676 LF 02)		Diesel		12419	353	480	06.08-09.21	■	■
40.480 (D 2676 LF 03)		Diesel		12419	353	480	06.08-09.21	■	■
40.480 (D 2676 LF 20)		Diesel		12419	353	480	06.08-09.21	■	■
40.480 (D 2676 LF 02)		Diesel		12419	353	480	06.08-09.21	■	■
40.480 (D 2676 LF 03)		Diesel		12419	353	480	06.08-09.21	■	■
40.480 (D 2676 LF 20)		Diesel		12419	353	480	06.08-09.21	■	■
18.540 (D 2676 LF 06)	09/10-, Rim 22.5	Diesel		12419	397	540	10.07-09.21	■	■
18.540 (D 2676 LF 13)	09/10-, Rim 22.5	Diesel		12419	397	540	10.07-09.21	■	■
18.540 (D 2676 LF 06)	09/10-, Rim 22.5	Diesel		12419	397	540	10.07-09.21	■	■
18.540 (D 2676 LF 13)	09/10-, Rim 22.5	Diesel		12419	397	540	10.07-09.21	■	■
24.540 (D 2676 LF 06)	09/10-, Rim 22.5	Diesel		12419	397	540	10.07-09.21	■	■
24.540 (D 2676 LF 13)	09/10-, Rim 22.5	Diesel		12419	397	540	10.07-09.21	■	■
26.540 (D 2676 LF 06)	09/10-, Rim 22.5	Diesel		12419	397	540	02.09-09.21	■	■
26.540 (D 2676 LF 06)	09/10-, Rim 22.5	Diesel		12419	397	540	05.08-09.21	■	■
26.540 (D 2676 LF 06)	09/10-, Rim 22.5	Diesel		12419	397	540	02.09-09.21	■	■
26.540		Diesel		12419	397	540	02.09-09.21	■	■
28.540 (D 2676 LF 06)	09/10-, Rim 22.5	Diesel		12419	397	540	02.09-09.21	■	■
33.540 (D 2676 LF 06)	09/10-, Rim 22.5	Diesel		12419	397	540	02.09-09.21	■	■
33.540 (D 2676 LF 06)	09/10-, Rim 22.5	Diesel		12419	397	540	02.09-09.21	■	■
<b>TGS II 02.20-</b>								<b>Dump Truck</b>	
22.330		Diesel		9037	243	330	02.20-	■	■
<b>TGX 06.06-</b>								<b>Dump Truck</b>	
26.440 (D 2676 LF 26)		Diesel		12419	324	440	01.14-09.21	■	■
33.440		Diesel		12419	324	440	01.14-09.21	■	■





# LISTA DE APLICACIONES - BUYERS GUIDE

18.480 (D 2676 LF 07)	09/10-, Rim 22.5	Diesel		12419	353	480	10.07-09.21	■	■
18.480 (D 2676 LF 14)	09/10-, Rim 22.5	Diesel		12419	353	480	10.07-09.21	■	■
18.480 (D 2676 LF 21)	09/10-, Rim 22.5	Diesel		12419	353	480	10.07-09.21	■	■
18.480 (D 2676 LF 25)	09/10-, Rim 22.5	Diesel		12419	353	480	10.07-09.21	■	■
18.480 (D 2676 LF 05)	09/10-, Rim 22.5	Diesel		12419	353	480	10.07-09.21	■	■
18.480 (D 2676 LF 14)	09/10-, Rim 22.5	Diesel		12419	353	480	10.07-09.21	■	■
24.480 (D 2676 LF 05)	09/10-, Rim 22.5	Diesel		12419	353	480	10.07-09.21	■	■
24.480 (D 2676 LF 07)	09/10-, Rim 22.5	Diesel		12419	353	480	10.07-09.21	■	■
24.480 (D 2676 LF 14)	09/10-, Rim 22.5	Diesel		12419	353	480	10.07-09.21	■	■
24.480 (D 2676 LF 25)	09/10-, Rim 22.5	Diesel		12419	353	480	10.07-09.21	■	■
26.480 (D 2676 LF 05)	09/10-, Rim 22.5	Diesel		12419	353	480	10.07-09.21	■	■
26.480 (D 2676 LF 07)	09/10-, Rim 22.5	Diesel		12419	353	480	10.07-09.21	■	■
26.480 (D 2676 LF 14)	09/10-, Rim 22.5	Diesel		12419	353	480	10.07-09.21	■	■
26.480 (D 2676 LF 25)	09/10-, Rim 22.5	Diesel		12419	353	480	10.07-09.21	■	■
26.480 (D 2676 LF 05)	09/10-, Rim 22.5	Diesel		12419	353	480	09.07-09.21	■	■
26.480 (D 2676 LF 05)	09/10-, Rim 22.5	Diesel		12419	353	480	07.08-09.21	■	■
26.480 (D 2676 LF 07)	09/10-, Rim 22.5	Diesel		12419	353	480	07.08-09.21	■	■
26.480 (D 2676 LF 25)	09/10-, Rim 22.5	Diesel		12419	353	480	07.08-09.21	■	■
26.480 (D 2676 LF 05)	09/10-, Rim 22.5	Diesel		12419	353	480	12.07-	■	■
28.480 (D 2676 LF 05)	09/10-, Rim 22.5	Diesel		12419	353	480	10.07-09.21	■	■
28.480 (D 2676 LF 07)	09/10-, Rim 22.5	Diesel		12419	353	480	10.07-09.21	■	■
28.480 (D 2676 LF 14)	09/10-, Rim 22.5	Diesel		12419	353	480	10.07-09.21	■	■
28.480 (D 2676 LF 25)	09/10-, Rim 22.5	Diesel		12419	353	480	10.07-09.21	■	■
33.480 (D 2676 LF 05)	09/10-, Rim 22.5	Diesel		12419	353	480	10.07-09.21	■	■
33.480 (D 2676 LF 07)	09/10-, Rim 22.5	Diesel		12419	353	480	10.07-09.21	■	■
33.480 (D 2676 LF 14)	09/10-, Rim 22.5	Diesel		12419	353	480	10.07-09.21	■	■
33.480 (D 2676 LF 25)	09/10-, Rim 22.5	Diesel		12419	353	480	10.07-09.21	■	■
35.480 (D 2676 LF 05)	09/10-, Rim 22.5	Diesel		12419	353	480	06.08-09.21	■	■
35.480 (D 2676 LF 07)	09/10-, Rim 22.5	Diesel		12419	353	480	06.08-09.21	■	■
35.480 (D 2676 LF 14)	09/10-, Rim 22.5	Diesel		12419	353	480	06.08-09.21	■	■
18.540 (D 2676 LF 06)	09/10-, Rim 22.5	Diesel		12419	397	540	10.07-09.21	■	■
18.540 (D 2676 LF 13)	09/10-, Rim 22.5	Diesel		12419	397	540	10.07-09.21	■	■
18.540 (D 2676 LF 13)	09/10-, Rim 22.5	Diesel		12419	397	540	10.07-09.21	■	■
24.540 (D 2676 LF 06)	09/10-, Rim 22.5	Diesel		12419	397	540	02.09-09.21	■	■
26.540 (D 2676 LF 06)	09/10-, Rim 22.5	Diesel		12419	397	540	10.07-09.21	■	■
26.540 (D 2676 LF 13)	09/10-, Rim 22.5	Diesel		12419	397	540	10.07-09.21	■	■
26.540 (D 2676 LF 06)	09/10-, Rim 22.5	Diesel		12419	397	540	02.09-09.21	■	■
28.540 (D 2676 LF 06)	09/10-, Rim 22.5	Diesel		12419	397	540	10.07-09.21	■	■
28.540 (D 2676 LF 13)	09/10-, Rim 22.5	Diesel		12419	397	540	10.07-09.21	■	■
33.540 (D 2676 LF 06)	09/10-, Rim 22.5	Diesel		12419	397	540	10.07-09.21	■	■
33.540 (D 2676 LF 13)	09/10-, Rim 22.5	Diesel		12419	397	540	10.07-09.21	■	■
35.540 (D 2676 LF 06)	09/10-, Rim 22.5	Diesel		12419	397	540	06.08-09.21	■	■
35.540 (D 2676 LF 13)	09/10-, Rim 22.5	Diesel		12419	397	540	06.08-09.21	■	■
33.680 (D 2868 LF02)	09/10-, Rim 22.5	Diesel		16162	500	680	10.07-01.16	■	■
33.680 (D 2868 LF05)	09/10-, Rim 22.5	Diesel		16162	500	680	10.07-01.16	■	■
<b>TGX 06.06-</b>					<b>Truck Tractor</b>				
26.320 (D 2066 LF 28)	09/10-, Rim 22.5	Diesel		10518	235	320	10.07-09.21	■	■
26.320 (D 2066 LF 43)	09/10-, Rim 22.5	Diesel		10518	235	320	10.07-09.21	■	■
18.360 (D 2066 LF 27)	09/10-, Rim 22.5	Diesel		10518	265	360	10.07-09.21	■	■
18.360 (D 2066 LF 38)	09/10-, Rim 22.5	Diesel		10518	265	360	10.07-09.21	■	■
18.360 (D 2066 LF 42)	09/10-, Rim 22.5	Diesel		10518	265	360	10.07-09.21	■	■







# LISTA DE APLICACIONES - BUYERS GUIDE

33.540 (D 2676 LF 06)	09/10-, Rim 22.5	Diesel		12419	397	540	10.07-09.21	■	■
33.540 (D 2676 LF 13)	09/10-, Rim 22.5	Diesel		12419	397	540	10.07-09.21	■	■
41.540 (D 2676 LF 06)	09/10-, Rim 22.5	Diesel		12419	397	540	06.08-09.21	■	■
41.540 (D 2676 LF 13)	09/10-, Rim 22.5	Diesel		12419	397	540	06.08-09.21	■	■
18.520 (D 3876 LF02)		Diesel		15256	383	520	09.14-09.21	■	■
18.560 (D 3876 LF01)		Diesel		15256	412	560	09.14-09.21	■	■
18.640 (D 3876 LF03)		Diesel		15256	471	640	09.16-09.21	■	■
41.640 (D 3876 LF03)		Diesel		15256	471	640	09.14-09.21	■	■
18.680 (D 2868 LF02)	09/10-, Rim 22.5	Diesel		16162	500	680	10.07-01.16	■	■
18.680 (D 2868 LF03)	09/10-, Rim 22.5	Diesel		16162	500	680	10.07-01.16	■	■
18.680 (D 2868 LF05)	09/10-, Rim 22.5	Diesel		16162	500	680	10.07-01.16	■	■
33.680 (D 2868 LF02)	09/10-, Rim 22.5	Diesel		16162	500	680	10.07-01.16	■	■
33.680 (D 2868 LF05)	09/10-, Rim 22.5	Diesel		16162	500	680	10.07-01.16	■	■
41.680 (D 2868 LF03)	09/10-, Rim 22.5	Diesel		16162	500	680	10.07-06.19	■	■
41.680 (D 2868 LF05)	09/10-, Rim 22.5	Diesel		16162	500	680	10.07-06.19	■	■
41.680 (D 2868 LF06)	09/10-, Rim 22.5	Diesel		16162	500	680	10.07-06.19	■	■
<b>TGX II 02.20-</b>								<b>Platform/Chassis</b>	
26.330		Diesel		9037	243	330	02.20-	■	■
26.360		Diesel		9037	265	360	02.20-	■	■
26.400		Diesel		9037	294	400	02.20-	■	■
26.430		Diesel		12419	316	430	02.20-	■	■
26.470		Diesel		12419	346	470	02.20-	■	■
26.510		Diesel		12419	375	510	02.20-	■	■
26.540		Diesel		15256	397	540	02.20-	■	■
26.580		Diesel		15256	427	581	02.20-	■	■
26.640		Diesel		15256	471	640	02.20-	■	■