

LISTA DE APLICACIONES - BUYERS GUIDE

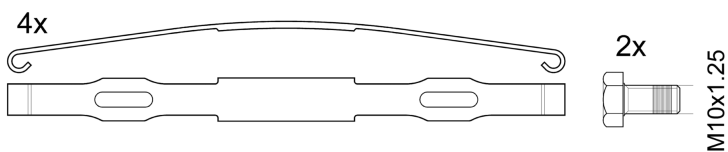
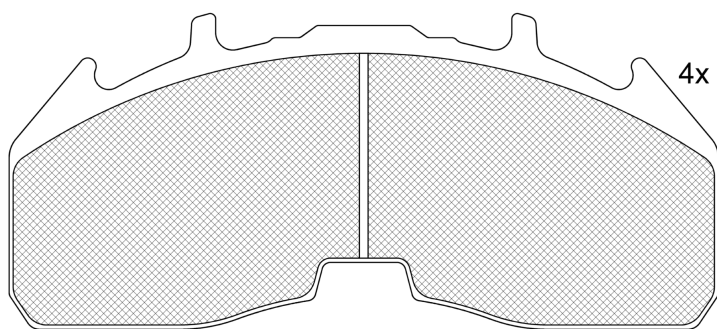
152457-066



Qty: 660

Weight: 10.650

O.E.M.	MAKE
2127745	SCANIA
2272502	SCANIA
2272503	SCANIA



1-Ref. 690182 E

152457-066

E1 -90R-01799/9439



Meritor

249.45x106.2x29.25

WVA

24465

29332

29333

29426

MAKE

SCANIA



Trac.	CC	Kw	CV
-------	----	----	----



Front / Rear

SCANIA

				Platform/Chassis						
06.17-										
G280		Gasolina	9291	206	280	12.17-		■		
09.16-									Truck Tractor	
S410 (DC 13.115)		Diesel	12742	302	409	09.16-		■	■	
S450 (DC 13.124)		Diesel	12742	331	450	09.16-		■	■	
S500		Diesel	12742	368	500	10.20-		■	■	
S520 (DC 16.101)		Diesel	16353	382	520	09.16-		■	■	
S580 (DC 16.102)		Diesel	16353	427	579	09.16-		■	■	
S730 (DC 16.103)		Diesel	16353	537	730	09.16-		■	■	