


# LISTA DE APLICACIONES - BUYERS GUIDE

## 180140

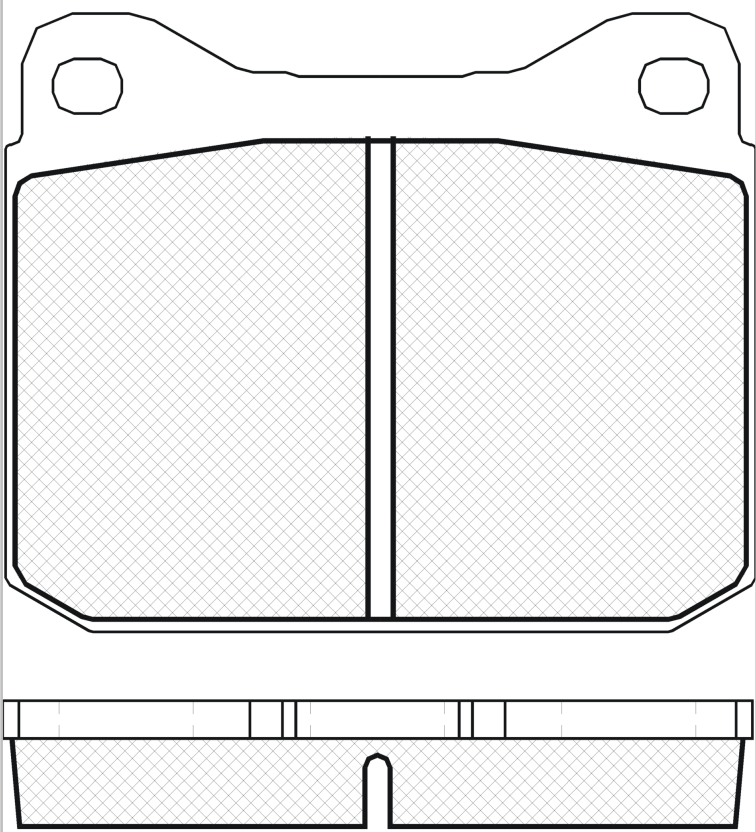


8 424073 006912


Qty: 300      Weight: 1.290

O.E.M.	MAKE
001 586 63 42	MERCEDES-BENZ

## 4x



## 180140





Ate - Teves

89.6x73.85x15

WVA	FMSI
20280	D100-7036
MAKE	
MERCEDES-BENZ	



Trac.	CC	Kw	CV		
Front / Rear					

### MERCEDES-BENZ

/8 (W114) 04.69-02.77								Coupe (Executive car-E Segment)	
250 C (114.021) (M 114.920)	01/70-	Gasolina	RWD	2496	96	130	04.69-06.72	■	
250 CE (114.022) (M 114.980)	01/70-	Gasolina	RWD	2496	110	150	04.69-04.72	■	
280 C (114.073) (M 110.921)	-12/74	Gasolina	RWD	2746	118	160	06.72-02.77	■	
280 CE (114.072) (M 110.981)	-12/74	Gasolina	RWD	2746	136	185	06.72-01.77	■	
250 C 2.8 (114.023) (M 130.923)	-12/74	Gasolina	RWD	2778	96	130	06.72-11.76	■	
/8 (W114) 01.68-11.76								Saloon (Executive car-E Segment)	
200 (115.015) (M 115.923)	01/72-	Gasolina	RWD	1988	63	86	01.68-01.77	■	
200 (115.015) (M 115.926)	01/72-	Gasolina	RWD	1988	63	86	01.68-01.77	■	
200 (115.020) (M 115.923)	01/72-	Gasolina	RWD	1988	70	95	01.68-01.77	■	
200 (115.020) (M 115.926)	01/72-	Gasolina	RWD	1988	70	95	01.68-01.77	■	
230.6 (114.015) (M 180.954)	01/72-	Gasolina	RWD	2292	88	120	01.68-11.76	■	
230.4 (115.017) (M 115.951)	-12/74	Gasolina	RWD	2307	81	110	08.73-12.76	■	
280 (114.060) (M 110.921)	-12/74	Gasolina	RWD	2746	118	160	06.72-11.76	■	
280 E (114.062) (M 110.981)	-12/74	Gasolina	RWD	2746	136	185	06.72-11.76	■	
250 2.8 (114.011) (M 130.923)	01/73-	Gasolina	RWD	2778	96	130	06.72-11.76	■	
220 D (115.110) (OM 615.912)	01/72-	Diesel	RWD	2197	44	60	01.68-01.77	■	
240 D (115.117) (OM 616.916)	01/74-	Diesel	RWD	2404	48	65	08.73-01.77	■	
240 D 3.0 (115.114) (OM 617.910)		Diesel	RWD	2998	59	80	08.74-11.76	■	
MB II (W661) 11.99-05.05								Van (LCVs-N1 Segment)	
100 /426	01/73-	Diesel	RWD		55	75	11.99-	■	
MB120 01.73-								Van (LCVs-N1 Segment)	
125/416	01/73-	Diesel	RWD		55	75	01.73-	■	

# LISTA DE APLICACIONES - BUYERS GUIDE

<b>MB65 01.73-</b>						<b>Van (LCVs-N1 Segment)</b>			
65	01/73-	Diesel	RWD		53	72	01.73-	■	
<b>MB70 01.73-</b>						<b>Van (LCVs-N1 Segment)</b>			
70/406	01/73-	Diesel	RWD		53	72	01.73-	■	
<b>MB700 01.73-</b>						<b>Van (LCVs-N1 Segment)</b>			
700 Turbo	01/73-	Diesel	RWD		48	65	01.73-	■	
<b>MB80 01.73-</b>						<b>Van (LCVs-N1 Segment)</b>			
80 /406	01/73-	Diesel	RWD		53	72	01.73-	■	
84/406	01/73-	Diesel	RWD		53	72	01.73-	■	
<b>MB90 01.73-</b>						<b>Van (LCVs-N1 Segment)</b>			
99/406	01/73-	Diesel	RWD		55	75	01.73-	■	
<b>MB900 01.73-</b>						<b>Van (LCVs-N1 Segment)</b>			
900/406	01/73-	Diesel	RWD				01.73-	■	
<b>S-Class (W116) 08.72-07.80</b>						<b>Saloon (Luxury car-F Segment)</b>			
280 S (116.020) (M 110.922)	-12/74	Gasolina	RWD	2746	115	156	08.72-07.80	■	
280 S (116.020) (M 110.922)	-12/74	Gasolina	RWD	2746	118	160	08.72-07.80	■	
280 SE, SEL (116.024, 116.025) (M 110.985)	-12/74	Gasolina	RWD	2746	130	177	08.72-07.80	■	
280 SE, SEL (116.024, 116.025) (M 110.983)	-12/74	Gasolina	RWD	2746	136	185	08.72-07.80	■	
280 SE, SEL (116.024, 116.025) (M 110.985)	-12/74	Gasolina	RWD	2746	136	185	08.72-07.80	■	
350 SE, SEL (116.028, 116.029) (M 116.983)	-12/74	Gasolina	RWD	3499	147	200	08.72-02.76	■	
450 SE, SEL (116.032) (M 117.983)	-12/74	Gasolina	RWD	4520	165	224	01.73-04.80	■	
450 SE, SEL (116.032) (M 117.986)	-12/74	Gasolina	RWD	4520	165	224	01.73-04.80	■	
<b>SL-Class III (R107) 05.71-12.89</b>						<b>Convertible (Executive car-E Segment)</b>			
280 SL (107.042) (M 110.982)	-12/76	Gasolina	RWD	2746	130	177	06.76-09.81	■	
280 SL (107.042) (M 110.986)	-12/76	Gasolina	RWD	2746	130	177	06.76-09.81	■	
280 SL (107.042) (M 110.990)	-12/76	Gasolina	RWD	2746	130	177	06.76-09.81	■	
350 SL (107.043) (M 116.982)	01/72-	Gasolina	RWD	3499	143	195	05.71-02.80	■	
350 SL (107.043) (M 116.984)	01/72-	Gasolina	RWD	3499	143	195	05.71-02.80	■	
450 SL (107.044) (M 117.982)	-12/75	Gasolina	RWD	4520	160	218	09.75-10.80	■	
450 SL (107.044) (M 117.985)	-12/75	Gasolina	RWD	4520	160	218	09.75-10.80	■	
450 SL (107.044) (M 117.982)	-12/73	Gasolina	RWD	4520	165	224	10.72-10.80	■	
450 SL (107.044) (M 117.985)	-12/73	Gasolina	RWD	4520	165	224	10.72-10.80	■	
<b>SL-Class III (C107) 01.72-08.85</b>						<b>Coupe (Executive car-E Segment)</b>			
280 SLC (107.022) (M 110.982)	-12/76	Gasolina	RWD	2746	130	177	06.76-09.81	■	
280 SLC (107.022) (M 110.986)	-12/76	Gasolina	RWD	2746	130	177	06.76-09.81	■	
280 SLC (107.022) (M 110.990)	-12/76	Gasolina	RWD	2746	130	177	06.76-09.81	■	
280 SLC (107.022) (M 110.982)	-12/74	Gasolina	RWD	2746	136	185	08.74-09.81	■	
280 SLC (107.022) (M 110.986)	-12/74	Gasolina	RWD	2746	136	185	08.74-09.81	■	
280 SLC (107.022) (M 110.990)	-12/74	Gasolina	RWD	2746	136	185	08.74-09.81	■	
350 SLC (107.023) (M 116.982)	-12/76	Gasolina	RWD	3499	143	195	03.76-02.80	■	
350 SLC (107.023) (M 116.984)	-12/76	Gasolina	RWD	3499	143	195	03.76-02.80	■	
350 SLC (107.023) (M 116.982)	01/74-	Gasolina	RWD	3499	147	200	01.72-02.76	■	
350 SLC (107.023) (M 116.984)	01/74-	Gasolina	RWD	3499	147	200	01.72-02.76	■	
450 SLC (107.024) (M 117.982)	-12/75	Gasolina	RWD	4520	160	218	09.75-08.79	■	
450 SLC (107.024) (M 117.985)	-12/75	Gasolina	RWD	4520	160	218	09.75-08.79	■	
450 SLC (107.024) (M 117.982)	-12/73	Gasolina	RWD	4520	165	225	01.73-11.75	■	
450 SLC (107.024) (M 117.985)	-12/73	Gasolina	RWD	4520	165	225	01.73-11.75	■	

# LISTA DE APLICACIONES - BUYERS GUIDE

<b>UNIMOG 01.55-</b>					<b>Cab with engine</b>				
U 40 (OM 621.931)		Diesel		1988	29	40	01.66-04.71	■	■
U 65 T, U 70 T (OM 352.919)	01/73-	Diesel		5675	48	65	01.62-01.88	■	■
U 80 T, U 90 T (OM 352.903)	01/73-	Diesel		5675	59	80	05.66-	■	■
U 80 T, U 90 T (OM 352.984)	01/73-	Diesel		5675	59	80	05.66-	■	■
<b>UNIMOG 01.55-</b>					<b>Platform/Chassis</b>				
U 100	01/73-	Diesel			74	100	01.55-	■	■
U 110	01/73-	Diesel			81	110	01.55-	■	■
U 125	01/73-	Diesel			92	125	01.55-	■	■
U 45 (OM 615.911)		Diesel		2197	33	45	01.66-04.71	■	■
U S 404 (OM 615.911)	01/73-	Diesel		2197	33	45	01.68-	■	■
U 54 (OM 314.916)		Diesel		3780	40	54	04.66-03.72	■	■
U 66, U 72 (OM 314.917)	01/73-	Diesel		3780	55	75	03.69-01.88	■	■
U 65, U 70 (OM 312.954)	01/73-	Diesel		4580	48	65	01.62-01.88	■	■
U 65, U 70 (OM 352.919)	01/73-	Diesel		5675	48	65	01.62-01.88	■	■
U 80, U 84, U 90 (OM 352.903)	01/73-	Diesel		5675	62	84	05.69-01.88	■	■
U 80, U 84, U 90 (OM 353.902)	01/73-	Diesel		5675	62	84	05.69-01.88	■	■
<b>UNIMOG 01.55-</b>					<b>Platform/Chassis</b>				
U S 404 (M 180.952)	01/73-	Gasolina		2195	60	82	01.55-12.76	■	■
U S 404 (M 180.953)	01/73-	Gasolina		2195	60	82	01.55-12.76	■	■